



Configuring Authentication

Last Updated: January 17, 2012

Authentication provides the method of identifying users, including login and password dialog, challenge and response, messaging support, and, depending on the selected security protocol, encryption. Authentication is the way a user is identified prior to being allowed access to the network and network services.

- [Finding Feature Information, page 1](#)
- [Prerequisites for Configuring Authentication, page 1](#)
- [Restrictions for Configuring Authentication, page 2](#)
- [Information About Configuring Authentication, page 2](#)
- [How to Configure AAA Authentication Methods, page 9](#)
- [Non-AAA Authentication Methods, page 40](#)
- [Authentication Examples, page 49](#)
- [Additional References, page 61](#)
- [Feature Information for Configuring Authentication, page 62](#)

Finding Feature Information

Your software release may not support all the features documented in this module. For the latest feature information and caveats, see the release notes for your platform and software release. To find information about the features documented in this module, and to see a list of the releases in which each feature is supported, see the Feature Information Table at the end of this document.

Use Cisco Feature Navigator to find information about platform support and Cisco software image support. To access Cisco Feature Navigator, go to www.cisco.com/go/cfn. An account on Cisco.com is not required.

Prerequisites for Configuring Authentication

The Cisco IOS software implementation of authentication is divided into AAA Authentication and non-authentication methods. Cisco recommends that, whenever possible, AAA security services be used to implement authentication.



Americas Headquarters:
Cisco Systems, Inc., 170 West Tasman Drive, San Jose, CA 95134-1706 USA

Restrictions for Configuring Authentication

- Effective with Cisco IOS Release 12.3, the number of AAA method lists that can be configured is 250.
- If you configure one RADIUS server with the nonstandard option and another RADIUS server without the nonstandard option, the RADIUS-server host with the nonstandard option does not accept a predefined host. If you configure the same RADIUS server host IP address for a different UDP destination port for accounting requests using the **acct-port** keyword and a UDP destination port for authentication requests using the **auth-port** keyword with and without the nonstandard option, the RADIUS server does not accept the nonstandard option.

Information About Configuring Authentication

The following sections describe how AAA authentication is configured by defining a named list of authentication methods and then applying that list to various interfaces, and how AAA authentication is handled through RADIUS Change in Authorization (CoA):

- [Named Method Lists for Authentication, page 2](#)
- [RADIUS Change of Authorization, page 5](#)

Named Method Lists for Authentication

A named list of authentication methods must first be defined to configure AAA authentication, and then this named list is applied to various interfaces. The method list defines the types of authentication to be performed and the sequence in which they will be performed; it must be applied to a specific interface before any of the defined authentication methods will be performed. The only exception is the default method list (which is named “default”). The default method list is automatically applied to all interfaces except those that have a named method list explicitly defined. A defined method list overrides the default method list.

A method list is a sequential list describing the authentication methods to be queried in order to authenticate a user. Method lists enable you to designate one or more security protocols to be used for authentication, thus ensuring a backup system for authentication in case the initial method fails. Cisco IOS software uses the first listed method to authenticate users. If that method fails to respond, the Cisco IOS software selects the next authentication method listed in the method list. This process continues until there is successful communication with a listed authentication method, or all methods defined in the method list are exhausted.

It is important to note that the Cisco IOS software attempts authentication with the next listed authentication method only when there is no response from the previous method. If authentication fails at any point in this cycle--meaning that the security server or local username database responds by denying the user access--the authentication process stops and no other authentication methods are attempted.

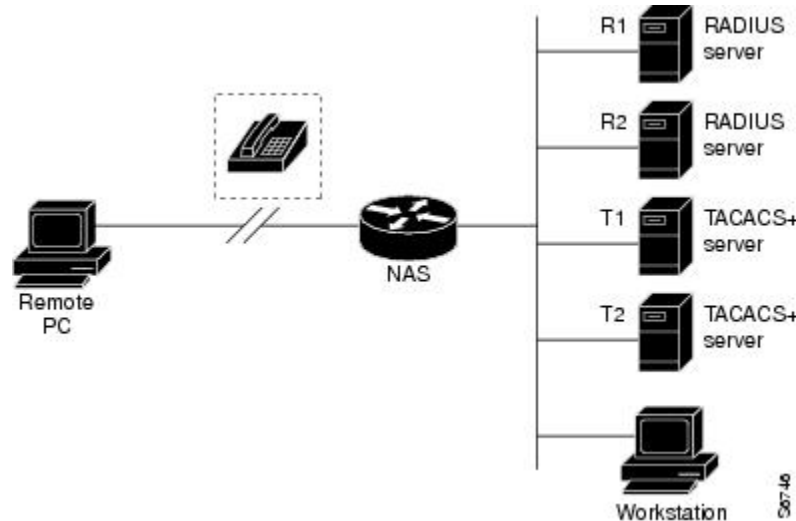
- [Method Lists and Server Groups, page 2](#)
- [Method List Examples, page 3](#)
- [AAA Authentication General Configuration Procedure, page 4](#)

Method Lists and Server Groups

A server group is a way to group existing Lightweight Directory Access Protocol (LDAP), RADIUS or TACACS+ server hosts for use in method lists. The figure below shows a typical AAA network

configuration that includes four security servers: R1 and R2 are RADIUS servers and T1 and T2 are TACACS+ servers. R1 and R2 make up the group of RADIUS servers. T1 and T2 make up the group of TACACS+ servers.

Figure 1 Typical AAA Network Configuration



Using server groups, you can specify a subset of the configured server hosts and use them for a particular service. For example, server groups allow you to define R1 and R2 as a server group, and define T1 and T2 as a separate server group. For example, you can specify R1 and T1 in the method list for authentication login, while specifying R2 and T2 in the method list for PPP authentication.

Server groups also can include multiple host entries for the same server, as long as each entry has a unique identifier. The combination of an IP address and a UDP port number creates a unique identifier, allowing different ports to be individually defined as RADIUS hosts providing a specific AAA service. In other words, this unique identifier enables RADIUS requests to be sent to different UDP ports on a server at the same IP address. If two different host entries on the same RADIUS server are configured for the same service--for example, authentication--the second host entry configured acts as failover backup to the first one. Using this example, if the first host entry fails to provide accounting services, the network access server will try the second host entry configured on the same device for accounting services. (The RADIUS host entries will be tried in the order in which they are configured.)

See the [Configuring LDAP](#), [Configuring RADIUS](#), or [Configuring TACACS+](#) feature modules for more information about configuring server groups and about configuring server groups based on Dialed Number Identification Service (DNIS) numbers.

Method List Examples

Suppose the system administrator has decided on a security solution where all interfaces will use the same authentication methods to authenticate PPP connections. In the RADIUS group, R1 is contacted first for authentication information, then if there is no response, R2 is contacted. If R2 does not respond, T1 in the TACACS+ group is contacted; if T1 does not respond, T2 is contacted. If all designated servers fail to respond, authentication falls to the local username database on the access server itself. To implement this solution, the system administrator would create a default method list by entering the following command:

```
aaa authentication ppp default group radius group tacacs+ local
```

In this example, “default” is the name of the method list. The protocols included in this method list are listed after the name, in the order they are to be queried. The default list is automatically applied to all interfaces.

When a remote user attempts to dial in to the network, the network access server first queries R1 for authentication information. If R1 authenticates the user, it issues a PASS response to the network access server and the user is allowed to access the network. If R1 returns a FAIL response, the user is denied access and the session is terminated. If R1 does not respond, then the network access server processes that as an ERROR and queries R2 for authentication information. This pattern would continue through the remaining designated methods until the user is either authenticated or rejected, or until the session is terminated.

It is important to remember that a FAIL response is significantly different from an ERROR. A FAIL means that the user has not met the criteria contained in the applicable authentication database to be successfully authenticated. Authentication ends with a FAIL response. An ERROR means that the security server has not responded to an authentication query. Because of this, no authentication has been attempted. Only when an ERROR is detected will AAA select the next authentication method defined in the authentication method list.

Suppose the system administrator wants to apply a method list only to a particular interface or set of interfaces. In this case, the system administrator creates a named method list and then applies this named list to the applicable interfaces. The following example shows how the system administrator can implement an authentication method that will be applied only to interface 3:

```
aaa authentication ppp default group radius group tacacs+ local
aaa authentication ppp apple group radius group tacacs+ local none
interface async 3
ppp authentication chap apple
```

In this example, “apple” is the name of the method list, and the protocols included in this method list are listed after the name in the order in which they are to be performed. After the method list has been created, it is applied to the appropriate interface. Note that the method list name (apple) in both the AAA and PPP authentication commands must match.

In the following example, the system administrator uses server groups to specify that only R2 and T2 are valid servers for PPP authentication. To do this, the administrator must define specific server groups whose members are R2 (172.16.2.7) and T2 (172.16.2.77), respectively. In this example, the RADIUS server group “rad2only” is defined as follows using the **aaa group server** command:

```
aaa group server radius rad2only
server 172.16.2.7
```

The TACACS+ server group “tac2only” is defined as follows using the **aaa group server** command:

```
aaa group server tacacs+ tac2only
server 172.16.2.77
```

The administrator then applies PPP authentication using the server groups. In this example, the default methods list for PPP authentication follows the order: **group rad2only**, **group tac2only**, and **local**:

```
aaa authentication ppp default group rad2only group tac2only local
```

AAA Authentication General Configuration Procedure

To configure AAA authentication, perform the following tasks:

- 1 Enable AAA by using the **aaa new-model** command in global configuration mode.

- 2 Configure security protocol parameters, such as RADIUS, TACACS+, or Kerberos if you are using a security server. See *Configuring RADIUS*, *Configuring TACACS+*, and *Configuring Kerberos*, respectively for more information.
- 3 Define the method lists for authentication by using an AAA authentication command.
- 4 Apply the method lists to a particular interface or line, if required.

RADIUS Change of Authorization

A standard RADIUS interface is typically used in a pulled model in which the request originates from a network attached device and the response is sent from the queried servers. The Cisco IOS supports the RADIUS Change of Authorization (CoA) extensions defined in RFC 5176 that are typically used in a pushed model and allow for the dynamic reconfiguring of sessions from external authentication, authorization, and accounting (AAA) or policy servers.

Beginning with Cisco IOS Release 12.2(5) SXI, per-session CoA requests are supported in:

- Session reauthentication
- Session termination
- Session termination with port shutdown
- Session termination with port bounce
- Security and Password--see the *Configuring Security with Passwords, Privilege Levels, and Login Usernames for CLI Sessions on Networking Devices* feature module for more information.
- Accounting--see the *Configuring Accounting* feature module for more information..

This section describes how RADIUS CoA messaging works:

- [Change-of-Authorization Requests](#), page 5
- [CoA Request Response Code](#), page 6
- [CoA Request Commands](#), page 8

Change-of-Authorization Requests

Change of Authorization (CoA) requests, as described in RFC 5176, are used in a push model to allow for session identification, host reauthentication, and session termination. The model is comprised of one request (CoA-Request) and two possible response codes:

- CoA acknowledgement (ACK) [CoA-ACK]
- CoA non-acknowledgement (NAK) [CoA-NAK]

The request is initiated from a CoA client (typically a RADIUS or policy server) and directed to the router that acts as a listener.

- [RFC 5176 Compliance](#), page 5

RFC 5176 Compliance

The Disconnect Request message, which is also referred to as Packet of Disconnect (POD), is supported by the router for session termination.

The table below shows the IETF attributes that are supported for this feature.

Table 1 *Supported IETF Attributes*

Attribute Number	Attribute Name
24	State
31	Calling-Station-ID
44	Acct-Session-ID
80	Message-Authenticator
101	Error-Cause

The table below shows the possible values for the Error-Cause attribute.

Table 2 *Error-Cause Values*

Value	Explanation
201	Residual Session Context Removed
202	Invalid EAP Packet (Ignored)
401	Unsupported Attribute
402	Missing Attribute
403	NAS Identification Mismatch
404	Invalid Request
405	Unsupported Service
406	Unsupported Extension
407	Invalid Attribute Value
501	Administratively Prohibited
502	Request Not Routable (Proxy)
503	Session Context Not Found
504	Session Context Not Removable
505	Other Proxy Processing Error
506	Resources Unavailable
507	Request Initiated
508	Multiple Session Selection Unsupported

CoA Request Response Code

CoA Request Commands

The router supports the commands shown in the table below.

Table 3 CoA Commands Supported on the Router

Command ¹	Cisco VSA
Reauthenticate host	Cisco:Avpair="subscriber:command=reauthenticate"
Terminate session	This is a standard disconnect request that does not require a VSA
Bounce host port	Cisco:Avpair="subscriber:command=bounce-host-port"
Disable host port	Cisco:Avpair="subscriber:command=disable-host-port"

- [Session Reauthentication, page 8](#)
- [Session Termination, page 8](#)
- [CoA Request Disable Host Port, page 9](#)
- [CoA Request Bounce-Port, page 9](#)

Session Reauthentication

To initiate session authentication, the AAA server sends a standard CoA-Request message that contains a Cisco vendor-specific attribute (VSA) in this form: *Cisco:Avpair="subscriber:command=reauthenticate"* and one or more session identification attributes.

The current session state determines the router response to the message in the following scenarios:

- If the session is currently authenticated by IEEE 802.1x, the router responds by sending an EAPoL²-RequestId message (see footnote below) to the server.
- If the session is currently authenticated by MAC authentication bypass (MAB), the router sends an access-request to the server, passing the same identity attributes used for the initial successful authentication.
- If session authentication is in progress when the router receives the command, the router terminates the process and restarts the authentication sequence, starting with the method configured to be attempted first.

Session Termination

A CoA Disconnect-Request command terminates the session without disabling the host port. This command causes re-initialization of the authenticator state machine for the specified host, but does not restrict the host's access to the network. If the session cannot be located, the router returns a Disconnect-NAK message with the "Session Context Not Found" error-code attribute. If the session *is* located, the

¹ All CoA commands must include the session identifier between the router and the CoA client.

² Extensible Authentication Protocol over LAN

router terminates the session. After the session has been completely removed, the router returns a Disconnect-ACK.

To restrict a host's access to the network, use a CoA Request with the Cisco:Avpair="subscriber:command=disable-host-port" VSA. This command is useful when a host is known to be causing problems on the network and network access needs to be immediately blocked for the host. When you want to restore network access on the port, re-enable it using a non-RADIUS mechanism.

CoA Request Disable Host Port

The RADIUS server CoA disable port command administratively shuts down the authentication port that is hosting a session, resulting in session termination. This command is carried in a standard CoA-Request message that has this new VSA:

```
Cisco:Avpair="subscriber:command=disable-host-port"
```

Because this command is session-oriented, it must be accompanied by one or more of the session identification attributes described in the Session Identification. If the router cannot locate the session, it returns a CoA-NAK message with the "Session Context Not Found" error-code attribute. If the router locates the session, it disables the hosting port and returns a CoA-ACK message.

If the router fails before returning a CoA-ACK to the client, the process is repeated on the new active router when the request is re-sent from the client. If the router fails after returning a CoA-ACK message to the client but before the operation has completed, the operation is restarted on the new active router.

If the RADIUS server CoA disable port command needs to be ignored, see [Configuring the Router to Ignore Bounce and Disable RADIUS CoA Requests](#) for more information.

CoA Request Bounce-Port

A RADIUS server CoA bounce port command sent from a RADIUS server can cause a link flap on an authentication port, which triggers DHCP renegotiation from one or more hosts connected to this port. This incident can occur when there is a VLAN change and the endpoint is a device (such as a printer), that does not have a mechanism to detect a change on this authentication port. The CoA bounce port command is carried in a standard CoA-Request message that contains the following new VSA:

```
Cisco:Avpair="subscriber:command=bounce-host-port"
```

Because this command is session-oriented, it must be accompanied by one or more of the session identification attributes described in the Session Identification. If the session cannot be located, the router returns a CoA-NAK message with the "Session Context Not Found" error-code attribute. If the session is located, the router disables the hosting port for a period of 10 seconds, re-enables it (port-bounce), and returns a CoA-ACK.

If the RADIUS server CoA bounce port command needs to be ignored, see [Configuring the Router to Ignore Bounce and Disable RADIUS CoA Requests](#) for more information.

How to Configure AAA Authentication Methods



Note

AAA features are not available for use until you enable AAA globally by issuing the **aaa new-model** command.

- [Configuring Login Authentication Using AAA, page 10](#)

- [Configuring PPP Authentication Using AAA, page 16](#)
- [Configuring AAA Scalability for PPP Requests, page 20](#)
- [Configuring ARAP Authentication Using AAA, page 20](#)
- [Configuring NASI Authentication Using AAA, page 24](#)
- [Specifying the Amount of Time for Login Input, page 28](#)
- [Enabling Password Protection at the Privileged Level, page 28](#)
- [Changing the Text Displayed at the Password Prompt, page 29](#)
- [Preventing an Access Request with a Blank Username from Being Sent to the RADIUS Server, page 29](#)
- [Configuring Message Banners for AAA Authentication, page 30](#)
- [Configuring AAA Packet of Disconnect, page 31](#)
- [Enabling Double Authentication, page 32](#)
- [Enabling Automated Double Authentication, page 35](#)
- [Configuring the Dynamic Authorization Service for RADIUS CoA, page 37](#)
- [Configuring the Router to Ignore Bounce and Disable RADIUS CoA Requests, page 39](#)

Configuring Login Authentication Using AAA

The AAA security services facilitate a variety of login authentication methods. Use the **aaa authentication login** command to enable AAA authentication regardless of which of the supported login authentication methods you decide to use. With the **aaa authentication login** command, you create one or more lists of authentication methods that are tried at login. These lists are applied using the **login authentication line** command.

To configure login authentication by using AAA, use the following commands beginning in global configuration mode:

SUMMARY STEPS

1. Router(config)# **aaa new-model**
2. Router(config)# **aaa authentication login**{ default | list-name } *method1*[*method2*...]
3. Router(config)# **line** [aux | console | tty | vty] **line-number** [**ending-line-number**]
4. Router(config-line)# **login authentication**

DETAILED STEPS

	Command or Action	Purpose
Step 1	Router(config)# aaa new-model	Enables AAA globally.
Step 2	Router(config)# aaa authentication login { default list-name } <i>method1</i> [<i>method2</i> ...]	Creates a local authentication list.
Step 3	Router(config)# line [aux console tty vty] line-number [ending-line-number]	Enters line configuration mode for the lines to which you want to apply the authentication list.

Command or Action	Purpose
<p>Step 4 Router(config-line)# login authentication</p> <p>Example:</p> <pre>{default list-name}</pre>	<p>Applies the authentication list to a line or set of lines.</p>

The *list-name* is a character string used to name the list you are creating. The method argument refers to the actual method the authentication algorithm tries. The additional methods of authentication are used only if the previous method returns an error, not if it fails. To specify that the authentication should succeed even if all methods return an error, specify **none** as the final method in the command line.

For example, to specify that authentication should succeed even if (in this example) the LDAP server returns an error, enter the following command:

```
aaa authentication login default group ldap none
```

For example, to specify that authentication should succeed even if (in this example) the TACACS+ server returns an error, enter the following command:

```
aaa authentication login default group tacacs+ none
```



Note

Because the **none** keyword enables *any* user logging in to successfully authenticate, it should be used only as a backup method of authentication.

To create a default list that is used when a named list is *not* specified in the **login authentication** command, use the **default** keyword followed by the methods that are to be used in default situations. The default method list is automatically applied to all interfaces.

For example, to specify RADIUS as the default method for user authentication during login, enter the following command:

```
aaa authentication login default group radius
```

The table below lists the supported login authentication methods.

Table 4 AAA Authentication Login Methods

Keyword	Description
<p>enable</p>	<p>Uses the enable password for authentication.</p>
<p>krb5</p>	<p>Uses Kerberos 5 for authentication.</p>

Keyword	Description
krb5-telnet	Uses Kerberos 5 Telnet authentication protocol when using Telnet to connect to the router. If selected, this keyword must be listed as the first method in the method list.
line	Uses the line password for authentication.
local	Uses the local username database for authentication.
local-case	Uses case-sensitive local username authentication.
none	Uses no authentication.
<code>group ldap</code>	Uses the list of all LDAP servers for authentication.
group radius	Uses the list of all RADIUS servers for authentication.
group tacacs+	Uses the list of all TACACS+ servers for authentication.
group <i>group-name</i>	Uses a subset of RADIUS or TACACS+ servers for authentication as defined by the aaa group server radius or aaa group server tacacs+ command.

**Note**

The **login** command only changes username and privilege level but does not execute a shell; therefore autocommands will not be executed. To execute autocommands under this circumstance, you need to establish a Telnet session back into the router (loop-back). Make sure that the router has been configured for secure Telnet sessions if you choose to implement autocommands this way.

- [Preventing an Access Request with an Expired Username from Being Sent to the RADIUS Server, page 13](#)
- [Login Authentication Using Enable Password, page 14](#)
- [Login Authentication Using Kerberos, page 14](#)
- [Login Authentication Using Line Password, page 15](#)

- [Login Authentication Using Local Password, page 15](#)
- [Login Authentication Using Group LDAP, page 15](#)
- [Login Authentication Using Group RADIUS, page 15](#)
- [Configuring RADIUS Attribute 8 in Access Requests, page 16](#)
- [Login Authentication Using Group TACACS, page 16](#)
- [Login Authentication Using group group-name, page 16](#)

Preventing an Access Request with an Expired Username from Being Sent to the RADIUS Server

The following task is used to prevent an access request with an expired username from being sent to the RADIUS server. The Easy VPN client is notified by the RADIUS server that its password has expired. The password-expiry feature also provides a generic way for the user to change the password.



Note

The **radius-server vsa send authentication** command must be configured to make the password-expiry feature work.

SUMMARY STEPS

1. enable
2. configure terminal
3. aaa new-model
4. aaa authentication login {default | list-name} passwd-expiry method1 [method2...]
5. radius-server vsa send authentication

DETAILED STEPS

Command or Action	Purpose
<p>Step 1 enable</p> <p>Example:</p> <pre>Router> enable</pre>	<p>Enables privileged EXEC mode.</p> <ul style="list-style-type: none"> • Enter your password if prompted.
<p>Step 2 configure terminal</p> <p>Example:</p> <pre>Router# configure terminal</pre>	<p>Enters global configuration mode.</p>

Command or Action	Purpose
<p>Step 3 <code>aaa new-model</code></p> <p>Example:</p> <pre>Router(config)# aaa new-model</pre>	Enables AAA.
<p>Step 4 <code>aaa authentication login {default list-name} passwd-expiry method1 [method2...]</code></p> <p>Example:</p> <pre>Router(config)# aaa authentication login userauthen passwd-expiry group radius</pre>	<p>The default keyword uses the listed authentication methods that follow this keyword as the default list of methods when a user logs in.</p> <p>The <i>list-name</i> argument is a character string used to name the list of authentication methods activated when a user logs in.</p> <p>The password-expiry keyword enables password aging on a local authentication list.</p> <p>The <i>method</i> argument identifies the list of methods that the authentication algorithm tries in the given sequence. You must enter at least one method; you may enter up to four methods.</p> <p>The example configures password aging by using AAA with a crypto client.</p>
<p>Step 5 <code>radius-server vsa send authentication</code></p> <p>Example:</p> <pre>Router(config)# radius-server vsa send authentication</pre>	Sends vendor-specific attributes in access requests

Login Authentication Using Enable Password

Use the **aaa authentication login** command with the **enable** keyword to specify the enable password as the login authentication method. For example, to specify the enable password as the method of user authentication at login when no other method list has been defined, enter the following command:

```
aaa authentication login default enable
```

Before you can use the enable password as the login authentication method, you need to define the enable password. For more information about defining enable passwords, refer to “Configuring Passwords and Privileges.”

Login Authentication Using Kerberos

Authentication via Kerberos is different from most other authentication methods: the user’s password is never sent to the remote access server. Remote users logging in to the network are prompted for a username. If the key distribution center (KDC) has an entry for that user, it creates an encrypted ticket granting ticket (TGT) with the password for that user and sends it back to the router. The user is then prompted for a password, and the router attempts to decrypt the TGT with that password. If it succeeds, the user is authenticated and the TGT is stored in the user’s credential cache on the router.

While **krb5** does use the KINIT program, a user does not need to run the KINIT program to get a TGT to authenticate to the router. This is because KINIT has been integrated into the login procedure in the Cisco IOS implementation of Kerberos.

Use the **aaa authentication login** command with the **krb5** keyword to specify Kerberos as the login authentication method. For example, to specify Kerberos as the method of user authentication at login when no other method list has been defined, enter the following command:

```
aaa authentication login default krb5
```

Before you can use Kerberos as the login authentication method, you need to enable communication with the Kerberos security server. See [Configuring Kerberos](#) for more information about establishing communication with a Kerberos server.

Login Authentication Using Line Password

Use the **aaa authentication login** command with the **line** keyword to specify the line password as the login authentication method. For example, to specify the line password as the method of user authentication at login when no other method list has been defined, enter the following command:

```
aaa authentication login default line
```

Before you can use a line password as the login authentication method, you need to define a line password. For more information about defining line passwords, see [Configuring Line Password Protection](#).

Login Authentication Using Local Password

Use the **aaa authentication login** command with the **local** keyword to specify that the Cisco router or access server will use the local username database for authentication. For example, to specify the local username database as the method of user authentication at login when no other method list has been defined, enter the following command:

```
aaa authentication login default local
```

For information about adding users into the local username database, see [Establishing Username Authentication](#).

Login Authentication Using Group LDAP

Use the **aaa authentication login** command with the **group ldap** method to specify ldap as the login authentication method. For example, to specify ldap as the method of user authentication at login when no other method list has been defined, enter the following command:

```
aaa authentication login default group ldap
```

Login Authentication Using Group RADIUS

Use the **aaa authentication login** command with the **group radius** method to specify RADIUS as the login authentication method. For example, to specify RADIUS as the method of user authentication at login when no other method list has been defined, enter the following command:

```
aaa authentication login default group radius
```

Before you can use RADIUS as the login authentication method, you need to enable communication with the RADIUS security server. See Configuring RADIUS for more information about establishing communication with a RADIUS server.

Configuring RADIUS Attribute 8 in Access Requests

Once you have used the **aaa authentication login** command to specify RADIUS and your login host has been configured to request its IP address from the NAS, you can send attribute 8 (Framed-IP-Address) in access-request packets by using the **radius-server attribute 8 include-in-access-req** command in global configuration mode. This command makes it possible for a NAS to provide the RADIUS server with a hint of the user IP address in advance of user authentication. For more information about attribute 8, refer to the appendix “RADIUS Attributes” at the end of the book.

Login Authentication Using Group TACACS

Use the **aaa authentication login** command with the **group tacacs+** method to specify TACACS+ as the login authentication method. For example, to specify TACACS+ as the method of user authentication at login when no other method list has been defined, enter the following command:

```
aaa authentication login default group tacacs+
```

Before you can use TACACS+ as the login authentication method, you need to enable communication with the TACACS+ security server. See Configuring TACACS+ more information about establishing communication with a TACACS+ server.

Login Authentication Using group group-name

Use the **aaa authentication login** command with the **group group-name** method to specify a subset of LDAP, RADIUS or TACACS+ servers to use as the login authentication method. To specify and define the group name and the members of the group, use the **aaa group server** command. For example, use the **aaa group server** command to first define the members of **group loginrad**:

```
aaa group server radius loginrad
  server 172.16.2.3
  server 172.16.2.17
  server 172.16.2.32
```

This command specifies RADIUS servers 172.16.2.3, 172.16.2.17, and 172.16.2.32 as members of the group *loginrad*.

To specify **group loginrad** as the method of user authentication at login when no other method list has been defined, enter the following command:

```
aaa authentication login default group loginrad
```

Before you can use a group name as the login authentication method, you need to enable communication with the RADIUS or TACACS+ security server. See Configuring RADIUS more information about establishing communication with a RADIUS server. See Configuring TACACS+ for more information about establishing communication with a TACACS+ server.

Configuring PPP Authentication Using AAA

Many users access network access servers through dialup via async or ISDN. Dialup via async or ISDN bypasses the CLI completely; instead, a network protocol (such as PPP or ARA) starts as soon as the connection is established.

The AAA security services facilitate a variety of authentication methods for use on serial interfaces running PPP. Use the **aaa authentication ppp** command to enable AAA authentication regardless of which of the supported PPP authentication methods you decide to use.

To configure AAA authentication methods for serial lines using PPP, use the following commands in global configuration mode:

SUMMARY STEPS

1. Router(config)# **aaa new-model**
2. Router(config)# **aaa authentication ppp**{ default | list-name } method1[method2...]
3. Router(config)# **interface** interface-type interface-number
4. Router(config-if)# **ppp authentication** { protocol1 [protocol2...]} [if-needed] { default | list-name } [callin][one-time][optional]

DETAILED STEPS

	Command or Action	Purpose
Step 1	Router(config)# aaa new-model	Enables AAA globally.
Step 2	Router(config)# aaa authentication ppp { default list-name } method1[method2...]	Creates a local authentication list.
Step 3	Router(config)# interface interface-type interface-number	Enters interface configuration mode for the interface to which you want to apply the authentication list.
Step 4	Router(config-if)# ppp authentication { protocol1 [protocol2...]} [if-needed] { default list-name } [callin][one-time][optional]	Applies the authentication list to a line or set of lines. In this command, protocol1 and protocol2 represent the following protocols: CHAP, MS-CHAP, and PAP. PPP authentication is attempted first using the first authentication method, specified by protocol1. If protocol1 is unable to establish authentication, the next configured protocol is used to negotiate authentication.

With the **aaa authentication ppp** command, you create one or more lists of authentication methods that are tried when a user tries to authenticate via PPP. These lists are applied using the **ppp authentication** line configuration command.

To create a default list that is used when a named list is *not* specified in the **ppp authentication** command, use the **default** keyword followed by the methods you want used in default situations.

For example, to specify the local username database as the default method for user authentication, enter the following command:

```
aaa authentication ppp default local
```

The *list-name* is any character string used to name the list you are creating. The method argument refers to the actual method the authentication algorithm tries. The additional methods of authentication are used only if the previous method returns an error, not if it fails. To specify that the authentication should succeed even if all methods return an error, specify **none** as the final method in the command line.

For example, to specify that authentication should succeed even if (in this example) the TACACS+ server returns an error, enter the following command:

```
aaa authentication ppp default group tacacs+ none
```

**Note**

Because **none** allows all users logging in to authenticate successfully, it should be used as a backup method of authentication.

The table below lists the supported login authentication methods.

Table 5 **AAA Authentication PPP Methods**

Keyword	Description
if-needed	Does not authenticate if user has already been authenticated on a TTY line.
krb5	Uses Kerberos 5 for authentication (can only be used for PAP authentication).
local	Uses the local username database for authentication.
local-case	Uses case-sensitive local username authentication.
none	Uses no authentication.
group radius	Uses the list of all RADIUS servers for authentication.
group tacacs+	Uses the list of all TACACS+ servers for authentication.
group group-name	Uses a subset of RADIUS or TACACS+ servers for authentication as defined by the aaa group server radius or aaa group server tacacs+ command.

- [PPP Authentication Using Kerberos, page 18](#)
- [PPP Authentication Using Local Password, page 19](#)
- [PPP Authentication Using Group RADIUS, page 19](#)
- [Configuring RADIUS Attribute 44 in Access Requests, page 19](#)
- [PPP Authentication Using Group TACACS, page 19](#)
- [PPP Authentication Using group group-name, page 19](#)

PPP Authentication Using Kerberos

Use the **aaa authentication ppp** command with the **krb5method** keyword to specify Kerberos as the authentication method for use on interfaces running PPP. For example, to specify Kerberos as the method of user authentication when no other method list has been defined, enter the following command:

```
aaa authentication ppp default krb5
```

Before you can use Kerberos as the PPP authentication method, you need to enable communication with the Kerberos security server. See [Configuring Kerberos](#) for more information about establishing communication with a Kerberos server.

**Note**

Kerberos login authentication works only with PPP PAP authentication.

PPP Authentication Using Local Password

Use the **aaa authentication ppp** command with the *method* keyword **local** to specify that the Cisco router or access server will use the local username database for authentication. For example, to specify the local username database as the method of authentication for use on lines running PPP when no other method list has been defined, enter the following command:

```
aaa authentication ppp default local
```

For information about adding users into the local username database, see Establishing Username Authentication.

PPP Authentication Using Group RADIUS

Use the **aaa authentication ppp** command with the **group radius** *method* to specify RADIUS as the login authentication method. For example, to specify RADIUS as the method of user authentication at login when no other method list has been defined, enter the following command:

```
aaa authentication ppp default group radius
```

Before you can use RADIUS as the PPP authentication method, you need to enable communication with the RADIUS security server. See Configuring RADIUS for more information about establishing communication with a RADIUS server.

Configuring RADIUS Attribute 44 in Access Requests

Once you have used the **aaa authentication ppp** command with the **group radius** *method* to specify RADIUS as the login authentication method, you can configure your router to send attribute 44 (Acct-Session-ID) in access-request packets by using the **radius-server attribute 44 include-in-access-req** command in global configuration mode. This command allows the RADIUS daemon to track a call from the beginning of the call to the end of the call. For more information on attribute 44, refer to the appendix “RADIUS Attributes” at the end of the book.

PPP Authentication Using Group TACACS

Use the **aaa authentication ppp** command with the **group tacacs+** *method* to specify TACACS+ as the login authentication method. For example, to specify TACACS+ as the method of user authentication at login when no other method list has been defined, enter the following command:

```
aaa authentication ppp default group tacacs+
```

Before you can use TACACS+ as the PPP authentication method, you need to enable communication with the TACACS+ security server. See Configuring TACACS+ for more information about establishing communication with a TACACS+ server.

PPP Authentication Using group group-name

Use the **aaa authentication ppp** command with the **group** *group-name* method to specify a subset of RADIUS or TACACS+ servers to use as the login authentication method. To specify and define the group

name and the members of the group, use the **aaa group server** command. For example, use the **aaa group server** command to first define the members of **group ppprad**:

```
aaa group server radius ppprad
server 172.16.2.3
server 172.16.2.17
server 172.16.2.32
```

This command specifies RADIUS servers 172.16.2.3, 172.16.2.17, and 172.16.2.32 as members of the group *ppprad*.

To specify **group ppprad** as the method of user authentication at login when no other method list has been defined, enter the following command:

```
aaa authentication ppp default group ppprad
```

Before you can use a group name as the PPP authentication method, you need to enable communication with the RADIUS or TACACS+ security server. See *Configuring RADIUS* for more information about establishing communication with a RADIUS server, and *Configuring TACACS+* for more information about establishing communication with a TACACS+ server.

Configuring AAA Scalability for PPP Requests

You can configure and monitor the number of background processes allocated by the PPP manager in the network access server (NAS) to deal with AAA authentication and authorization requests. In previous Cisco IOS releases, only one background process was allocated to handle all AAA requests for PPP. This meant that parallelism in AAA servers could not be fully exploited. The AAA Scalability feature enables you to configure the number of processes used to handle AAA requests for PPP, thus increasing the number of users that can be simultaneously authenticated or authorized.

To allocate a specific number of background processes to handle AAA requests for PPP, use the following command in global configuration mode:

Command or Action	Purpose
Router(config)# aaa processes <i>number</i>	Allocates a specific number of background processes to handle AAA authentication and authorization requests for PPP.

The argument *number* defines the number of background processes earmarked to process AAA authentication and authorization requests for PPP and can be configured for any value from 1 to 2147483647. Because of the way the PPP manager handles requests for PPP, this argument also defines the number of new users that can be simultaneously authenticated. This argument can be increased or decreased at any time.



Note

Allocating additional background processes can be expensive. You should configure the minimum number of background processes capable of handling the AAA requests for PPP.

Configuring ARAP Authentication Using AAA

With the **aaa authentication arap** command, you create one or more lists of authentication methods that are tried when AppleTalk Remote Access Protocol (ARAP) users attempt to log in to the router. These lists are used with the **arap authentication** line configuration command.

Use the following commands starting in global configuration mode:

SUMMARY STEPS

1. Router(config)# **aaa new-model**
2. Router(config)# **aaa authentication arap**
3. Router(config)# **line number**
4. Router(config-line)# **autoselect arap**
5. Router(config-line)# **autoselect during-login**
6. Router(config-line)# **arap authentication list-name**

DETAILED STEPS

	Command or Action	Purpose
Step 1	Router(config)# aaa new-model	Enables AAA globally.
Step 2	Router(config)# aaa authentication arap	Enables authentication for ARAP users.
	Example: { default <i>list-name</i> } <i>method1</i> [<i>method2...</i>]	
Step 3	Router(config)# line number	(Optional) Changes to line configuration mode.
Step 4	Router(config-line)# autoselect arap	(Optional) Enables autoselection of ARAP.
Step 5	Router(config-line)# autoselect during-login	(Optional) Starts the ARAP session automatically at user login.
Step 6	Router(config-line)# arap authentication list-name	(Optional--not needed if default is used in the aaa authentication arap command) Enables TACACS+ authentication for ARAP on a line.

The *list-name* is any character string used to name the list you are creating. The method argument refers to the actual list of methods the authentication algorithm tries, in the sequence entered.

To create a default list that is used when a named list is *not* specified in the **arap authentication** command, use the **default** keyword followed by the methods you want to be used in default situations.

The additional methods of authentication are used only if the previous method returns an error, not if it fails. To specify that the authentication should succeed even if all methods return an error, specify **none** as the final method in the command line.



Note

Because **none** allows all users logging in to authenticate successfully, it should be used as a backup method of authentication.

The following table lists the supported login authentication methods.

Table 6 **AAA Authentication ARAP Methods**

Keyword	Description
auth-guest	Allows guest logins only if the user has already logged in to EXEC.
guest	Allows guest logins.
line	Uses the line password for authentication.
local	Uses the local username database for authentication.
local-case	Uses case-sensitive local username authentication.
group radius	Uses the list of all RADIUS servers for authentication.
group tacacs+	Uses the list of all TACACS+ servers for authentication.
group <i>group-name</i>	Uses a subset of RADIUS or TACACS+ servers for authentication as defined by the aaa group server radius or aaa group server tacacs+ command.

For example, to create a default AAA authentication method list used with ARAP, enter the following command:

```
aaa authentication arap default if-needed none
```

To create the same authentication method list for ARAP but name the list *MIS-access*, enter the following command:

```
aaa authentication arap MIS-access if-needed none
```

This section includes the following sections:

- [ARAP Authentication Allowing Authorized Guest Logins, page 22](#)
- [ARAP Authentication Allowing Guest Logins, page 23](#)
- [ARAP Authentication Using Line Password, page 23](#)
- [ARAP Authentication Using Local Password, page 23](#)
- [ARAP Authentication Using Group RADIUS, page 23](#)
- [ARAP Authentication Using Group TACACS, page 24](#)
- [ARAP Authentication Using Group group-name, page 24](#)

ARAP Authentication Allowing Authorized Guest Logins

Use the **aaa authentication arap** command with the **auth-guest** keyword to allow guest logins only if the user has already successfully logged in to the EXEC. This method must be the first listed in the ARAP authentication method list but it can be followed by other methods if it does not succeed. For example, to allow all authorized guest logins--meaning logins by users who have already successfully logged in to the

EXEC--as the default method of authentication, using RADIUS only if that method fails, enter the following command:

```
aaa authentication arap default auth-guest group radius
```

For more information about ARAP authorized guest logins, refer to the chapter “Configuring AppleTalk” in the *CiscoIOS AppleTalk and Novell IPX Configuration Guide* .

**Note**

By default, guest logins through ARAP are disabled when you initialize AAA. To allow guest logins, you must use the **aaa authentication arap** command with either the **guest** or the **auth-guest** keyword.

ARAP Authentication Allowing Guest Logins

Use the **aaa authentication arap** command with the **guest** keyword to allow guest logins. This method must be the first listed in the ARAP authentication method list but it can be followed by other methods if it does not succeed. For example, to allow all guest logins as the default method of authentication, using RADIUS only if that method fails, enter the following command:

```
aaa authentication arap default guest group radius
```

For more information about ARAP guest logins, refer to the chapter “Configuring AppleTalk” in the *Cisco IOS AppleTalk and Novell IPX Configuration Guide* .

ARAP Authentication Using Line Password

Use the **aaa authentication arap** command with the *method* keyword **line** to specify the line password as the authentication method. For example, to specify the line password as the method of ARAP user authentication when no other method list has been defined, enter the following command:

```
aaa authentication arap default line
```

Before you can use a line password as the ARAP authentication method, you need to define a line password. For more information about defining line passwords, refer to the section Configuring Line Password Protection.

ARAP Authentication Using Local Password

Use the **aaa authentication arap** command with the *method* keyword **local** to specify that the Cisco router or access server will use the local username database for authentication. For example, to specify the local username database as the method of ARAP user authentication when no other method list has been defined, enter the following command:

```
aaa authentication arap default local
```

For information about adding users to the local username database, refer to the section Establishing Username Authentication.

ARAP Authentication Using Group RADIUS

Use the **aaa authentication arap** command with the **group radius** *method* to specify RADIUS as the ARAP authentication method. For example, to specify RADIUS as the method of user authentication at login when no other method list has been defined, enter the following command:

```
aaa authentication arap default group radius
```

Before you can use RADIUS as the ARAP authentication method, you need to enable communication with the RADIUS security server..

ARAP Authentication Using Group TACACS

Use the **aaa authentication arap** command with the **group tacacs+** *method* to specify TACACS+ as the ARAP authentication method. For example, to specify TACACS+ as the method of user authentication at login when no other method list has been defined, enter the following command:

```
aaa authentication arap default group tacacs+
```

Before you can use TACACS+ as the ARAP authentication method, you need to enable communication with the TACACS+ security server. See *Configuring TACACS+* for more information about establishing communication with a TACACS+ server.

ARAP Authentication Using Group group-name

Use the **aaa authentication arap** command with the **group group-name** *method* to specify a subset of RADIUS or TACACS+ servers to use as the ARAP authentication method. To specify and define the group name and the members of the group, use the **aaa group server** command. For example, use the **aaa group server** command to first define the members of **group araprad**:

```
aaa group server radius araprad
server 172.16.2.3
server 172.16.2.17
server 172.16.2.32
```

This command specifies RADIUS servers 172.16.2.3, 172.16.2.17, and 172.16.2.32 as members of the group *araprad*.

To specify **group araprad** as the method of user authentication at login when no other method list has been defined, enter the following command:

```
aaa authentication arap default group araprad
```

Before you can use a group name as the ARAP authentication method, you need to enable communication with the RADIUS or TACACS+ security server. See *Configuring RADIUS* for more information about establishing communication with a RADIUS server, and *Configuring TACACS+* for more information about establishing communication with a TACACS+ server.

Configuring NASI Authentication Using AAA

With the **aaa authentication nasi** command, you create one or more lists of authentication methods that are tried when NetWare Asynchronous Services Interface (NASI) users attempt to log in to the router. These lists are used with the **nasi authentication line** configuration command.

To configure NASI authentication using AAA, use the following commands starting in global configuration mode:

SUMMARY STEPS

1. Router(config)# **aaa new-model**
2. Router(config)# **aaa authentication nasi**
3. Router(config)# **line number**
4. Router(config-line)# **nasi authentication list-name**

DETAILED STEPS

	Command or Action	Purpose
Step 1	Router(config)# aaa new-model	Enables AAA globally.
Step 2	Router(config)# aaa authentication nasi	Enables authentication for NASI users.
	Example: { default <i>list-name</i> } <i>method1</i> [<i>method2...</i>]	
Step 3	Router(config)# line number	(Optional--not needed if default is used in the aaa authentication nasi command) Enters line configuration mode.
Step 4	Router(config-line)# nasi authentication list-name	(Optional--not needed if default is used in the aaa authentication nasi command) Enables authentication for NASI on a line.

The *list-name* is any character string used to name the list you are creating. The method argument refers to the actual list of methods the authentication algorithm tries, in the sequence entered.

To create a default list that is used when a named list is *not* specified in the **aaa authentication nasicommand**, use the **default** keyword followed by the methods you want to be used in default situations.

The additional methods of authentication are used only if the previous method returns an error, not if it fails. To specify that the authentication should succeed even if all methods return an error, specify **none** as the final method in the command line.



Note

Because **none** allows all users logging in to authenticate successfully, it should be used as a backup method of authentication.

The table below lists the supported NASI authentication methods.

Table 7 AAA Authentication NASI Methods

Keyword	Description
enable	Uses the enable password for authentication.
line	Uses the line password for authentication.
local	Uses the local username database for authentication.

Keyword	Description
local-case	Uses case-sensitive local username authentication.
none	Uses no authentication.
group radius	Uses the list of all RADIUS servers for authentication.
group tacacs+	Uses the list of all TACACS+ servers for authentication.
group <i>group-name</i>	Uses a subset of RADIUS or TACACS+ servers for authentication as defined by the aaa group server radius or aaa group server tacacs+ command.

- [NASI Authentication Using Enable Password, page 26](#)
- [NASI Authentication Using Line Password, page 26](#)
- [NASI Authentication Using Local Password, page 26](#)
- [NASI Authentication Using Group RADIUS, page 27](#)
- [NASI Authentication Using Group TACACS, page 27](#)
- [NASI Authentication Using group group-name, page 27](#)

NASI Authentication Using Enable Password

Use the **aaa authentication nasicommand** with the *method* keyword **enable** to specify the enable password as the authentication method. For example, to specify the enable password as the method of NASI user authentication when no other method list has been defined, enter the following command:

```
aaa authentication nasi default enable
```

Before you can use the enable password as the authentication method, you need to define the enable password. For more information about defining enable passwords, refer to the chapter “Configuring Passwords and Privileges.”

NASI Authentication Using Line Password

Use the **aaa authentication nasicommand** with the *method* keyword **line** to specify the line password as the authentication method. For example, to specify the line password as the method of NASI user authentication when no other method list has been defined, enter the following command:

```
aaa authentication nasi default line
```

Before you can use a line password as the NASI authentication method, you need to define a line password. For more information about defining line passwords, refer to Configuring Line Password Protection.

NASI Authentication Using Local Password

Use the **aaa authentication nasicommand** with the *method* keyword **local** to specify that the Cisco router or access server will use the local username database for authentication information. For example, to

specify the local username database as the method of NASI user authentication when no other method list has been defined, enter the following command:

```
aaa authentication nasi default local
```

For information about adding users to the local username database, refer to Establishing Username Authentication.

NASI Authentication Using Group RADIUS

Use the **aaa authentication nasicommand** with the **group radius *method*** to specify RADIUS as the NASI authentication method. For example, to specify RADIUS as the method of NASI user authentication when no other method list has been defined, enter the following command:

```
aaa authentication nasi default group radius
```

Before you can use RADIUS as the NASI authentication method, you need to enable communication with the RADIUS security server. See Configuring RADIUS for more information about establishing communication with a RADIUS server.

NASI Authentication Using Group TACACS

Use the **aaa authentication nasicommand** with the **group tacacs+ *method*** keyword to specify TACACS+ as the NASI authentication method. For example, to specify TACACS+ as the method of NASI user authentication when no other method list has been defined, enter the following command:

```
aaa authentication nasi default group tacacs+
```

Before you can use TACACS+ as the authentication method, you need to enable communication with the TACACS+ security server. See Configuring TACACS+ for more information about establishing communication with a TACACS+ server.”

NASI Authentication Using group group-name

Use the **aaa authentication nasicommand** with the **group *group-name* *method*** to specify a subset of RADIUS or TACACS+ servers to use as the NASI authentication method. To specify and define the group name and the members of the group, use the **aaa group server** command. For example, use the **aaa group server** command to first define the members of **group nasirad**:

```
aaa group server radius nasirad
server 172.16.2.3
server 172.16.2.17
server 172.16.2.32
```

This command specifies RADIUS servers 172.16.2.3, 172.16.2.17, and 172.16.2.32 as members of the group *nasirad*.

To specify **group nasirad** as the method of user authentication at login when no other method list has been defined, enter the following command:

```
aaa authentication nasi default group nasirad
```

Before you can use a group name as the NASI authentication method, you need to enable communication with the RADIUS or TACACS+ security server. See Configuring RADIUS for more information about establishing communication with a RADIUS server and Configuring TACACS+ for more information about establishing communication with a TACACS+ server.

Specifying the Amount of Time for Login Input

The **timeout login response** command allows you to specify how long the system will wait for login input (such as username and password) before timing out. The default login value is 30 seconds; with the **timeout login response** command, you can specify a timeout value from 1 to 300 seconds. To change the login timeout value from the default of 30 seconds, use the following command in line configuration mode:

Command or Action	Purpose
Router(config-line)# timeout login response <i>seconds</i>	Specifies how long the system will wait for login information before timing out.

Enabling Password Protection at the Privileged Level

Use the **aaa authentication enable default** command to create a series of authentication methods that are used to determine whether a user can access the privileged EXEC command level. You can specify up to four authentication methods. The additional methods of authentication are used only if the previous method returns an error, not if it fails. To specify that the authentication should succeed even if all methods return an error, specify **none** as the final method in the command line.

Use the following command in global configuration mode:

Command or Action	Purpose
Router(config)# aaa authentication enable default <i>method1</i> [<i>method2...</i>]	Enables user ID and password checking for users requesting privileged EXEC level. Note All aaa authentication enable default requests sent by the router to a RADIUS server include the username “\$enab15\$.” Requests sent to a TACACS+ server will include the username that is entered for login authentication.

The method argument refers to the actual list of methods the authentication algorithm tries, in the sequence entered. The table below lists the supported enable authentication methods.

Table 8 **AAA Authentication Enable Default Methods**

Keyword	Description
enable	Uses the enable password for authentication.
line	Uses the line password for authentication.
none	Uses no authentication.
group radius	Uses the list of all RADIUS hosts for authentication. Note The RADIUS method does not work on a per-username basis.

Keyword	Description
group tacacs+	Uses the list of all TACACS+ hosts for authentication.
group <i>group-name</i>	Uses a subset of RADIUS or TACACS+ servers for authentication as defined by the aaa group server radius or aaa group server tacacs+ command.

Changing the Text Displayed at the Password Prompt

Use the **aaa authentication password-prompt** command to change the default text that the Cisco IOS software displays when prompting a user to enter a password. This command changes the password prompt for the enable password as well as for login passwords that are not supplied by remote security servers. The **no** form of this command returns the password prompt to the following default value:

```
Password:
```

The **aaa authentication password-prompt** command does not change any dialog that is supplied by a remote TACACS+ or RADIUS server.

The **aaa authentication password-prompt** command works when RADIUS is used as the login method. You will be able to see the password prompt defined in the command shown even when the RADIUS server is unreachable. The **aaa authentication password-prompt** command does not work with TACACS+. TACACS+ supplies the NAS with the password prompt to display to the users. If the TACACS+ server is reachable, the NAS gets the password prompt from the server and uses that prompt instead of the one defined in the **aaa authentication password-prompt** command. If the TACACS+ server is not reachable, the password prompt defined in the **aaa authentication password-prompt** command may be used.

Use the following command in global configuration mode:

Command or Action	Purpose
<code>Router(config)# aaa authentication password-prompt <i>text-string</i></code>	Changes the default text displayed when a user is prompted to enter a password.

Preventing an Access Request with a Blank Username from Being Sent to the RADIUS Server

The following configuration steps provide the ability to prevent an Access Request with a blank username from being sent to the RADIUS server. This functionality ensures that unnecessary RADIUS server interaction is avoided, and RADIUS logs are kept short.



Note

The **aaa authentication suppress null-username** command is available only in Cisco IOS XE Release 2.4 and Cisco IOS Release 12.2(33)SRD.

SUMMARY STEPS

1. **enable**
2. **configure terminal**
3. **aaa new-model**
4. **aaa authentication suppress null-username**

DETAILED STEPS

	Command or Action	Purpose
Step 1	enable Example: Router> enable	Enables privileged EXEC mode. <ul style="list-style-type: none"> • Enter your password if prompted.
Step 2	configure terminal Example: Router# configure terminal	Enters global configuration mode.
Step 3	aaa new-model Example: Router(config)# configure terminal	Enables AAA globally.
Step 4	aaa authentication suppress null-username Example: Router(config)# aaa authentication suppress null-username	Prevents an Access Request with a blank username from being sent to the RADIUS server.

Configuring Message Banners for AAA Authentication

AAA supports the use of configurable, personalized login and failed-login banners. You can configure message banners that will be displayed when a user logs in to the system to be authenticated using AAA and when, for whatever reason, authentication fails.

- [Configuring a Login Banner, page 30](#)
- [Configuring a Failed-Login Banner, page 31](#)

Configuring a Login Banner

To create a login banner, you need to configure a delimiting character, which notifies the system that the following text string is to be displayed as the banner, and then the text string itself. The delimiting character

is repeated at the end of the text string to signify the end of the banner. The delimiting character can be any single character in the extended ASCII character set, but once defined as the delimiter, that character cannot be used in the text string making up the banner.

To configure a banner that will be displayed whenever a user logs in (replacing the default message for login), use the following commands in global configuration mode:

SUMMARY STEPS

1. Router(config)# **aaa new-model**
2. Router(config)# **aaa authentication banner** *delimiter string delimiter*

DETAILED STEPS

	Command or Action	Purpose
Step 1	Router(config)# aaa new-model	Enables AAA.
Step 2	Router(config)# aaa authentication banner <i>delimiter string delimiter</i>	Creates a personalized login banner.

The maximum number of characters that can be displayed in the login banner is 2996 characters.

Configuring a Failed-Login Banner

To create a failed-login banner, you need to configure a delimiting character, which notifies the system that the following text string is to be displayed as the banner, and then the text string itself. The delimiting character is repeated at the end of the text string to signify the end of the failed-login banner. The delimiting character can be any single character in the extended ASCII character set, but once defined as the delimiter, that character cannot be used in the text string making up the banner.

To configure a message that will be displayed whenever a user fails login (replacing the default message for failed login), use the following commands in global configuration mode:

SUMMARY STEPS

1. Router(config)# **aaa new-model**
2. Router(config)# **aaa authentication fail-message** *delimiter string delimiter*

DETAILED STEPS

	Command or Action	Purpose
Step 1	Router(config)# aaa new-model	Enables AAA.
Step 2	Router(config)# aaa authentication fail-message <i>delimiter string delimiter</i>	Creates a message to be displayed when a user fails login.

The maximum number of characters that can be displayed in the failed-login banner is 2996 characters.

Configuring AAA Packet of Disconnect

Packet of disconnect (POD) terminates connections on the network access server (NAS) when particular session attributes are identified. By using session information obtained from AAA, the POD client residing on a UNIX workstation sends disconnect packets to the POD server running on the network access server.

The NAS terminates any inbound user session with one or more matching key attributes. It rejects requests when required fields are missing or when an exact match is not found.

To configure POD, perform the following tasks in global configuration mode:

SUMMARY STEPS

1. Router(config)# **aaa accounting network default**
2. Router(config)# **aaa accounting delay-start**
3. Router(config)# **aaa pod server server-key string**
4. Router(config)# **radius-server host IP address non-standard**

DETAILED STEPS

	Command or Action	Purpose
Step 1	Router(config)# aaa accounting network default Example: start-stop radius	Enables AAA accounting records.
Step 2	Router(config)# aaa accounting delay-start	(Optional) Delays generation of the start accounting record until the Framed-IP-Address is assigned, allowing its use in the POD packet.
Step 3	Router(config)# aaa pod server server-key string	Enables POD reception.
Step 4	Router(config)# radius-server host IP address non-standard	Declares a RADIUS host that uses a vendor-proprietary version of RADIUS.

Enabling Double Authentication

Previously, PPP sessions could only be authenticated by using a single authentication method: either PAP or CHAP. Double authentication requires remote users to pass a second stage of authentication--after CHAP or PAP authentication--before gaining network access.

This second (“double”) authentication requires a password that is known to the user but *not* stored on the user’s remote host. Therefore, the second authentication is specific to a user, not to a host. This provides an additional level of security that will be effective even if information from the remote host is stolen. In addition, this also provides greater flexibility by allowing customized network privileges for each user.

The second stage authentication can use one-time passwords such as token card passwords, which are not supported by CHAP. If one-time passwords are used, a stolen user password is of no use to the perpetrator.

- [How Double Authentication Works, page 32](#)
- [Configuring Double Authentication, page 33](#)
- [Accessing the User Profile After Double Authentication, page 34](#)

How Double Authentication Works

With double authentication, there are two authentication/authorization stages. These two stages occur after a remote user dials in and a PPP session is initiated.

In the first stage, the user logs in using the remote host name; CHAP (or PAP) authenticates the remote host, and then PPP negotiates with AAA to authorize the remote host. In this process, the network access privileges associated with the remote host are assigned to the user.

**Note**

We suggest that the network administrator restrict authorization at this first stage to allow only Telnet connections to the local host.

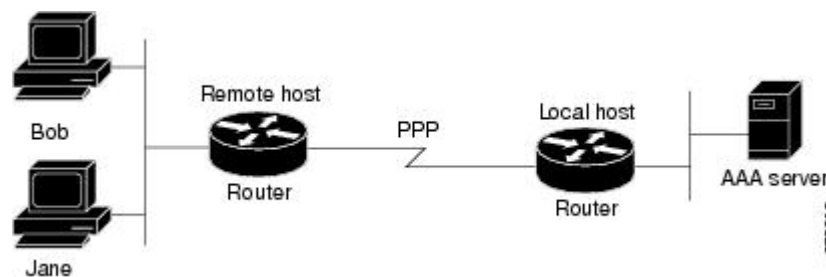
In the second stage, the remote user must Telnet to the network access server to be authenticated. When the remote user logs in, the user must be authenticated with AAA login authentication. The user then must enter the **access-profile** command to be reauthorized using AAA. When this authorization is complete, the user has been double authenticated, and can access the network according to per-user network privileges.

The system administrator determines what network privileges remote users will have after each stage of authentication by configuring appropriate parameters on a security server. To use double authentication, the user must activate it by issuing the **access-profile** command.

**Caution**

Double authentication can cause certain undesirable events if multiple hosts share a PPP connection to a network access server, as shown in the figure below. First, if a user, Bob, initiates a PPP session and activates double authentication at the network access server (per the figure below), any other user will automatically have the same network privileges as Bob until Bob's PPP session expires. This happens because Bob's authorization profile is applied to the network access server's interface during the PPP session and any PPP traffic from other users will use the PPP session Bob established. Second, if Bob initiates a PPP session and activates double authentication, and then--before Bob's PPP session has expired--another user, Jane, executes the **access-profile** command (or, if Jane Telnets to the network access server and **autocommand access-profile** is executed), a reauthorization will occur and Jane's authorization profile will be applied to the interface--replacing Bob's profile. This can disrupt or halt Bob's PPP traffic, or grant Bob additional authorization privileges Bob should not have.

Figure 2 *Possibly Risky Topology: Multiple Hosts Share a PPP Connection to a Network Access Server*



Configuring Double Authentication

To configure double authentication, you must complete the following steps:

- 1 Enable AAA by using the **aaa-new model** global configuration command. For more information about enabling AAA, refer to the chapter "AAA Overview."
- 2 Use the **aaa authentication** command to configure your network access server to use login and PPP authentication method lists, then apply those method lists to the appropriate lines or interfaces.

- 3 Use the **aaa authorization** command to configure AAA network authorization at login. For more information about configuring network authorization, refer to the “Configuring Authorization” chapter.
- 4 Configure security protocol parameters (for example, RADIUS or TACACS+). See Configuring RADIUS for more information about RADIUS and Configuring TACACS+ for more information about TACACS+.
- 5 Use access control list AV pairs on the security server that the user can connect to the local host only by establishing a Telnet connection.
- 6 (Optional) Configure the **access-profile** command as an autocommand. If you configure the autocommand, remote users will not have to manually enter the **access-profile** command to access authorized rights associated with their personal user profile. To learn about configuring autocommands, refer to the **autocommand** command in the *Cisco IOS Dial Technologies Command Reference: Network Services*.

**Note**

If the **access-profile** command is configured as an autocommand, users will still have to Telnet to the local host and log in to complete double authentication.

Follow these rules when creating the user-specific authorization statements (These rules relate to the default behavior of the **access-profile** command):

- Use valid AV pairs when configuring access control list AV pairs on the security server. For a list of valid AV pairs, refer to the chapter “Authentication Commands” in the *Cisco IOS Security Command Reference*.
- If you want remote users to use the interface’s existing authorization (that which existed prior to the second stage authentication/authorization), but you want them to have different access control lists (ACLs), you should specify *only* ACL AV pairs in the user-specific authorization definition. This might be desirable if you set up a default authorization profile to apply to the remote host, but want to apply specific ACLs to specific users.
- When these user-specific authorization statements are later applied to the interface, they can either be *added* to the existing interface configuration or they can *replace* the existing interface configuration—depending on which form of the **access-profile** command is used to authorize the user. You should understand how the **access-profile** command works before configuring the authorization statements.
- If you will be using ISDN or Multilink PPP, you must also configure virtual templates at the local host.

To troubleshoot double authentication, use the **debug aaa per-user** debug command. For more information about this command, refer to the *Cisco IOS Debug Command Reference*.

Accessing the User Profile After Double Authentication

In double authentication, when a remote user establishes a PPP link to the local host using the local host name, the remote host is CHAP (or PAP) authenticated. After CHAP (or PAP) authentication, PPP negotiates with AAA to assign network access privileges associated with the remote host to the user. (We suggest that privileges at this stage be restricted to allow the user to connect to the local host only by establishing a Telnet connection.)

When the user needs to initiate the second phase of double authentication, establishing a Telnet connection to the local host, the user enters a personal username and password (different from the CHAP or PAP username and password). This action causes AAA reauthentication to occur according to the personal username/password. The initial rights associated with the local host, though, are still in place. By using the **access-profile** command, the rights associated with the local host are replaced by or merged with those defined for the user in the user’s profile.

To access the user profile after double authentication, use the following command in EXEC configuration mode:

Command or Action	Purpose
<pre>Router> access-profile [merge replace] [ignore-sanity-checks]</pre>	Accesses the rights associated for the user after double authentication.

If you configured the **access-profile** command to be executed as an autocommand, it will be executed automatically after the remote user logs in.

Enabling Automated Double Authentication

You can make the double authentication process easier for users by implementing automated double authentication. Automated double authentication provides all of the security benefits of double authentication, but offers a simpler, more user-friendly interface for remote users. With double authentication, a second level of user authentication is achieved when the user Telnets to the network access server or router and enters a username and password. With automated double authentication, the user does not have to Telnet to the network access server; instead the user responds to a dialog box that requests a username and password or personal identification number (PIN). To use the automated double authentication feature, the remote user hosts must be running a companion client application. As of Cisco IOS Release 12.0, the only client application software available is the Glacier Bay application server software for PCs.



Note

Automated double authentication, like the existing double authentication feature, is for Multilink PPP ISDN connections only. Automated double authentication cannot be used with other protocols such as X.25 or SLIP.

Automated double authentication is an enhancement to the existing double authentication feature. To configure automated double authentication, you must first configure double authentication by completing the following steps:

- 1 Enable AAA by using the **aaa-new model** global configuration command. For more information about enabling AAA, refer to the chapter “AAA Overview.”
- 2 Use the **aaa authentication** command to configure your network access server to use login and PPP authentication method lists, then apply those method lists to the appropriate lines or interfaces.
- 3 Use the **aaa authorization** command to configure AAA network authorization at login. For more information about configuring network authorization, refer to the chapter “Configuring Authorization.”
- 4 Configure security protocol parameters (for example, RADIUS or TACACS+). See Configuring RADIUS for more information about RADIUS and Configuring TACACS+ for more information about TACACS+.
- 5 Use access control list AV pairs on the security server that the user can connect to the local host only by establishing a Telnet connection.
- 6 Configure the **access-profile** command as an autocommand. If you configure the autocommand, remote users will not have to manually enter the **access-profile** command to access authorized rights associated with their personal user profile. To learn about configuring autocommands, refer to the **autocommand** command in the *CiscoIOS Dial Technologies Command Reference*

**Note**

If the **access-profile** command is configured as an autocommand, users will still have to Telnet to the local host and log in to complete double authentication.

Follow these rules when creating the user-specific authorization statements (These rules relate to the default behavior of the **access-profile** command):

- Use valid AV pairs when configuring access control list AV pairs on the security server. For a list of valid AV pairs, refer to the Authentication, Authorization, and Accounting (AAA) part of the *Cisco IOS Security Command Reference*.
- If you want remote users to use the interface's existing authorization (that which existed prior to the second stage authentication/authorization), but you want them to have different access control lists (ACLs), you should specify *only* ACL AV pairs in the user-specific authorization definition. This might be desirable if you set up a default authorization profile to apply to the remote host, but want to apply specific ACLs to specific users.
- When these user-specific authorization statements are later applied to the interface, they can either be *added* to the existing interface configuration, or *replace* the existing interface configuration--depending on which form of the **access-profile** command is used to authorize the user. You should understand how the **access-profile** command works before configuring the authorization statements.
- If you will be using ISDN or Multilink PPP, you must also configure virtual templates at the local host.

To troubleshoot double authentication, use the **debug aaa per-user** debug command. For more information about this command, refer to the *Cisco IOS Debug Command Reference*.

After you have configured double authentication, you are ready to configure the automation enhancement.

- [Configuring Automated Double Authentication, page 36](#)
- [Troubleshooting Automated Double Authentication, page 37](#)

Configuring Automated Double Authentication

To configure automated double authentication, use the following commands, starting in global configuration mode:

SUMMARY STEPS

1. Router(config)# ip trigger-authentication
2. Do one of the following:
 - Router(config)# interface bri *number*
 -
 -
 - Router(config)# interface serial *number* :23
3. Router(config-if)# ip trigger-authentication

DETAILED STEPS

Command or Action	Purpose
Step 1 Router(config)# ip trigger-authentication Example: [timeout <i>seconds</i>] [port <i>number</i>]	Enables automation of double authentication.
Step 2 Do one of the following: <ul style="list-style-type: none"> • Router(config)# interface bri <i>number</i> • • Router(config)# interface serial <i>number</i> :23 	Selects an ISDN BRI or ISDN PRI interface and enters interface configuration mode.
Step 3 Router(config-if)# ip trigger-authentication	Applies automated double authentication to the interface.

Troubleshooting Automated Double Authentication

To troubleshoot automated double authentication, use the following commands in privileged EXEC mode:

SUMMARY STEPS

1. Router# show ip trigger-authentication
2. Router# clear ip trigger-authentication
3. Router# debug ip trigger-authentication

DETAILED STEPS

Command or Action	Purpose
Step 1 Router# show ip trigger-authentication	Displays the list of remote hosts for which automated double authentication has been attempted (successfully or unsuccessfully).
Step 2 Router# clear ip trigger-authentication	Clears the list of remote hosts for which automated double authentication has been attempted. This clears the table displayed by the show ip trigger-authentication command.
Step 3 Router# debug ip trigger-authentication	Displays debug output related to automated double authentication.

Configuring the Dynamic Authorization Service for RADIUS CoA

Use the following procedure to enable the router as an authentication, authorization, and accounting (AAA) server for dynamic authorization service to support the CoA functionality that pushes the policy map in an input and output direction.

SUMMARY STEPS

1. **enable**
2. **configure terminal**
3. **aaa new-model**
4. **aaa server radius dynamic-author**
5. **client** {*ip_addr* | *hostname*} [**server-key** [0 | 7] *string*]
6. **domain** {*delimiter character* | **stripping** [**right-to-left**]}
- 7.
8. **port** {*port-num*}

DETAILED STEPS

Command or Action	Purpose
Step 1 enable Example: <pre>Router> enable</pre>	Enables privileged EXEC mode. <ul style="list-style-type: none"> • Enter your password if prompted.
Step 2 configure terminal Example: <pre>Router# configure terminal</pre>	Enters global configuration mode.
Step 3 aaa new-model Example: <pre>Router(config)# aaa new-model</pre>	Enables AAA.
Step 4 aaa server radius dynamic-author Example: <pre>Router(config)# aaa server radius dynamic-author</pre>	Sets up the local AAA server for dynamic authorization service, which must be enabled to support the CoA functionality to push the policy map in an input and output direction and enter dynamic authorization local server configuration mode. In this mode, the RADIUS application commands are configured.
Step 5 client { <i>ip_addr</i> <i>hostname</i> } [server-key [0 7] <i>string</i>] Example: <pre>Router(config-locsvr-da-radius)#client 192.168.0.5 server-key cisco1</pre>	Configures the IP address or hostname of the AAA server client. Use the optional server-key keyword and <i>string</i> argument to configure the server key at the “client” level. Note Configuring the server key at the client level overrides the server key configured at the global level.

Command or Action	Purpose
<p>Step 6 <code>domain {delimiter character} stripping [right-to-left]</code></p> <p>Example:</p> <pre>Router(config-locsvr-da-radius)# domain stripping right-to-left</pre> <p>Example:</p> <pre>Router(config-locsvr-da-radius)# domain delimiter @</pre>	<p>(Optional) Configures username domain options for the RADIUS application.</p> <ul style="list-style-type: none"> • The delimiter keyword specifies the domain delimiter. One of the following options can be specified for the <i>character</i> argument: @, /, \$, %, \, # or - • The stripping keyword compares the incoming username with the names oriented to the left of the @ domain delimiter. • The right-to-left keyword terminates the string at the first delimiter going from right to left.
<p>Step 7</p>	
<p>Step 8 <code>port {port-num}</code></p> <p>Example:</p> <pre>Router(config-locsvr-da-radius)# port 3799</pre>	<p>Configures UDP port 3799 for CoA requests.</p>

Configuring the Router to Ignore Bounce and Disable RADIUS CoA Requests

Use the following procedure to configure the router to ignore RADIUS server CoA requests in the form of a bounce port command or disable port command.

When an authentication port is authenticated with multiple hosts and there is a CoA request for one host to flap on this port or one host session to be terminated on this port, the other hosts on this port are also affected. This can trigger a DHCP renegotiation from one or more hosts in the case of a flap, or the administratively shut down the authentication port hosting the session for one or more hosts, which may be undesirable.

SUMMARY STEPS

1. **enable**
2. **configure terminal**
3. **aaa new-model**
4. **authentication command bounce-port ignore**
5. **authentication command disable-port ignore**

DETAILED STEPS

Command or Action	Purpose
<p>Step 1 <code>enable</code></p> <p>Example:</p> <pre>Router> enable</pre>	<p>Enables privileged EXEC mode.</p> <ul style="list-style-type: none"> Enter your password if prompted.
<p>Step 2 <code>configure terminal</code></p> <p>Example:</p> <pre>Router# configure terminal</pre>	<p>Enters global configuration mode.</p>
<p>Step 3 <code>aaa new-model</code></p> <p>Example:</p> <pre>Router(config)# aaa new-model</pre>	<p>Enables AAA.</p>
<p>Step 4 <code>authentication command bounce-port ignore</code></p> <p>Example:</p> <pre>Router(config)# authentication command bounce-port ignore</pre>	<p>(Optional) Configures the router to ignore a RADIUS server bounce port command that causes a host to link flap on an authentication port, which causes DHCP renegotiation from one or more hosts connected to this port.</p>
<p>Step 5 <code>authentication command disable-port ignore</code></p> <p>Example:</p> <pre>Router(config)# authentication command disable-port ignore</pre>	<p>(Optional) Configures the router to ignore a RADIUS server CoA disable port command that administratively shuts down the authentication port that hosts one or more host sessions. The shutting down of the port leads to session termination.</p>

Non-AAA Authentication Methods

- [Configuring Line Password Protection, page 41](#)
- [Establishing Username Authentication, page 42](#)
- [Enabling CHAP or PAP Authentication, page 43](#)
- [Using MS-CHAP, page 47](#)

Configuring Line Password Protection

This task is used to provide access control on a terminal line by entering the password and establishing password checking.



Note

If you configure line password protection and then configure TACACS or extended TACACS, the TACACS username and password take precedence over line passwords. If you have not yet implemented a security policy, we recommend that you use AAA.

SUMMARY STEPS

1. **enable**
2. **configure terminal**
3. **line** [aux | console | tty | vty] *line-number* [*ending-line-number*]
4. **password** *password*
5. **login**

DETAILED STEPS

Command or Action	Purpose
<p>Step 1 enable</p> <p>Example:</p> <pre>Router> enable</pre>	<p>Enables privileged EXEC mode.</p> <ul style="list-style-type: none"> • Enter your password if prompted.
<p>Step 2 configure terminal</p> <p>Example:</p> <pre>Router# configure terminal</pre>	<p>Enters global configuration mode.</p>
<p>Step 3 line [aux console tty vty] <i>line-number</i> [<i>ending-line-number</i>]</p> <p>Example:</p> <pre>Router(config)# line console 0</pre>	<p>Enters line configuration mode.</p>
<p>Step 4 password <i>password</i></p> <p>Example:</p> <pre>Router(config-line)# secret word</pre>	<p>Assigns a password to a terminal or other device on a line. The password is case sensitive and can include spaces. For example, the password “Secret” is different than the password “secret,” and “two words” is an acceptable password.</p>

Command or Action	Purpose
Step 5 login Example: <pre>Router(config-line)# login</pre>	<p>Enables password checking at login.</p> <p>Line password verification can be disabled by using the no version of this command.</p> <p>Note The login command only changes the username and privilege level. It does not execute a shell; therefore autocommands are not executed. To execute autocommands under this circumstance, a Telnet session needs to be established to the router. Ensure the router is configured for secure Telnet sessions if autocommands are implemented this way.</p>

Establishing Username Authentication

You can create a username-based authentication system, which is useful in the following situations:

- To provide a TACACS-like username and encrypted password-authentication system for networks that cannot support TACACS
- To provide special-case logins: for example, access list verification, no password verification, autocommand execution at login, and “no escape” situations

To establish username authentication, use the following commands in global configuration mode as needed for your system configuration:

SUMMARY STEPS

1. Do one of the following:
 - **Router(config)# username name [noperword | password password | password encryption-type encrypted password]**
 -
 -
 - **Router(config)# username name [access-class number]**
2. **Router(config)# username name [privilege level]**
3. **Router(config)# username name [autocommand command]**
4. **Router(config)# username name [noescape] [nohangup]**

DETAILED STEPS

Command or Action	Purpose
Step 1 Do one of the following: <ul style="list-style-type: none"> • Router(config)# username name [noperword password password password encryption-type encrypted password] • • • Router(config)# username name [access-class number] 	<p>Establishes username authentication with encrypted passwords.</p> <p>or</p> <p>(Optional) Establishes username authentication by access list.</p>

	Command or Action	Purpose
Step 2	Router(config)# username <i>name</i> [privilege <i>level</i>]	(Optional) Sets the privilege level for the user.
Step 3	Router(config)# username <i>name</i> [autocommand <i>command</i>]	(Optional) Specifies a command to be executed automatically.
Step 4	Router(config)# username <i>name</i> [noescape] [nohangup]	(Optional) Sets a “no escape” login environment.

The keyword **noescape** prevents users from using escape characters on the hosts to which they are connected. The **nohangup** feature does not disconnect after using the autocommand.



Caution

Passwords will be displayed in clear text in your configuration unless you enable the **service password-encryption** command. For more information about the **service password-encryption** command, refer to the chapter “Passwords and Privileges Commands” in the *CiscoIOS Security Command Reference*.

Enabling CHAP or PAP Authentication

One of the most common transport protocols used in Internet service providers’ (ISPs’) dial solutions is the Point-to-Point Protocol (PPP). Traditionally, remote users dial in to an access server to initiate a PPP session. After PPP has been negotiated, remote users are connected to the ISP network and to the Internet.

Because ISPs want only customers to connect to their access servers, remote users are required to authenticate to the access server before they can start up a PPP session. Normally, a remote user authenticates by typing in a username and password when prompted by the access server. Although this is a workable solution, it is difficult to administer and awkward for the remote user.

A better solution is to use the authentication protocols built into PPP. In this case, the remote user dials in to the access server and starts up a minimal subset of PPP with the access server. This does not give the remote user access to the ISP’s network—it merely allows the access server to talk to the remote device.

PPP currently supports two authentication protocols: Password Authentication Protocol (PAP) and Challenge Handshake Authentication Protocol (CHAP). Both are specified in RFC 1334 and are supported on synchronous and asynchronous interfaces. Authentication via PAP or CHAP is equivalent to typing in a username and password when prompted by the server. CHAP is considered to be more secure because the remote user’s password is never sent across the connection.

PPP (with or without PAP or CHAP authentication) is also supported in dialout solutions. An access server utilizes a dialout feature when it initiates a call to a remote device and attempts to start up a transport protocol such as PPP.

See “Configuring Interfaces” in the *CiscoIOS Configuration Fundamentals Configuration Guide* for more information about CHAP and PAP.



Note

To use CHAP or PAP, you must be running PPP encapsulation.

When CHAP is enabled on an interface and a remote device attempts to connect to it, the access server sends a CHAP packet to the remote device. The CHAP packet requests or “challenges” the remote device to respond. The challenge packet consists of an ID, a random number, and the host name of the local router.

When the remote device receives the challenge packet, it concatenates the ID, the remote device’s password, and the random number, and then encrypts all of it using the remote device’s password. The

remote device sends the results back to the access server, along with the name associated with the password used in the encryption process.

When the access server receives the response, it uses the name it received to retrieve a password stored in its user database. The retrieved password should be the same password the remote device used in its encryption process. The access server then encrypts the concatenated information with the newly retrieved password--if the result matches the result sent in the response packet, authentication succeeds.

The benefit of using CHAP authentication is that the remote device's password is never transmitted in clear text. This prevents other devices from stealing it and gaining illegal access to the ISP's network.

CHAP transactions occur only at the time a link is established. The access server does not request a password during the rest of the call. (The local device can, however, respond to such requests from other devices during a call.)

When PAP is enabled, the remote router attempting to connect to the access server is required to send an authentication request. If the username and password specified in the authentication request are accepted, the Cisco IOS software sends an authentication acknowledgment.

After you have enabled CHAP or PAP, the access server will require authentication from remote devices dialing in to the access server. If the remote device does not support the enabled protocol, the call will be dropped.

To use CHAP or PAP, you must perform the following tasks:

- 1 Enable PPP encapsulation.
- 2 Enable CHAP or PAP on the interface.
- 3 For CHAP, configure host name authentication and the secret or password for each remote system with which authentication is required.
 - [Enabling PPP Encapsulation, page 44](#)
 - [Enabling PAP or CHAP, page 44](#)
 - [Inbound and Outbound Authentication, page 45](#)
 - [Enabling Outbound PAP Authentication, page 46](#)
 - [Refusing PAP Authentication Requests, page 46](#)
 - [Creating a Common CHAP Password, page 46](#)
 - [Refusing CHAP Authentication Requests, page 46](#)
 - [Delaying CHAP Authentication Until Peer Authenticates, page 47](#)

Enabling PPP Encapsulation

To enable PPP encapsulation, use the following command in interface configuration mode:

Command or Action	Purpose
Router(config-if)# encapsulation ppp	Enables PPP on an interface.

Enabling PAP or CHAP

To enable CHAP or PAP authentication on an interface configured for PPP encapsulation, use the following command in interface configuration mode:

Command or Action	Purpose
<pre> Router(config-if)# ppp authentication {protocol1 [protocol2...]} [if-needed] {default list-name} [callin] [one-time] </pre>	<p>Defines the authentication protocols supported and the order in which they are used. In this command, <i>protocol1</i>, <i>protocol2</i> represent the following protocols: CHAP, MS-CHAP, and PAP. PPP authentication is attempted first using the first authentication method, which is <i>protocol1</i>. If <i>protocol1</i> is unable to establish authentication, the next configured protocol is used to negotiate authentication.</p>

If you configure **ppp authentication chap** on an interface, all incoming calls on that interface that initiate a PPP connection will have to be authenticated using CHAP; likewise, if you configure **ppp authentication pap**, all incoming calls that start a PPP connection will have to be authenticated via PAP. If you configure **ppp authentication chap pap**, the access server will attempt to authenticate all incoming calls that start a PPP session with CHAP. If the remote device does not support CHAP, the access server will try to authenticate the call using PAP. If the remote device does not support either CHAP or PAP, authentication will fail and the call will be dropped. If you configure **ppp authentication pap chap**, the access server will attempt to authenticate all incoming calls that start a PPP session with PAP. If the remote device does not support PAP, the access server will try to authenticate the call using CHAP. If the remote device does not support either protocol, authentication will fail and the call will be dropped. If you configure the **ppp authentication** command with the **callin** keyword, the access server will only authenticate the remote device if the remote device initiated the call.

Authentication method lists and the **one-time** keyword are only available if you have enabled AAA—they will not be available if you are using TACACS or extended TACACS. If you specify the name of an authentication method list with the **ppp authentication** command, PPP will attempt to authenticate the connection using the methods defined in the specified method list. If AAA is enabled and no method list is defined by name, PPP will attempt to authenticate the connection using the methods defined as the default. The **ppp authentication** command with the **one-time** keyword enables support for one-time passwords during authentication.

The **if-needed** keyword is only available if you are using TACACS or extended TACACS. The **ppp authentication** command with the **if-needed** keyword means that PPP will only authenticate the remote device via PAP or CHAP if they have not yet authenticated during the life of the current call. If the remote device authenticated via a standard login procedure and initiated PPP from the EXEC prompt, PPP will not authenticate via CHAP if **ppp authentication chap if-needed** is configured on the interface.



Caution

If you use a *list-name* that has not been configured with the **aaa authentication ppp** command, you disable PPP on the line.

For information about adding a **username** entry for each remote system from which the local router or access server requires authentication, see [Establishing Username Authentication, page 42](#).

Inbound and Outbound Authentication

PPP supports two-way authentication. Normally, when a remote device dials in to an access server, the access server requests that the remote device prove that it is allowed access. This is known as inbound authentication. At the same time, the remote device can also request that the access server prove that it is who it says it is. This is known as outbound authentication. An access server also does outbound authentication when it initiates a call to a remote device.

Enabling Outbound PAP Authentication

To enable outbound PAP authentication, use the following command in interface configuration mode:

Command or Action	Purpose
<pre>Router(config-if)# ppp pap sent-username username password password</pre>	Enables outbound PAP authentication.

The access server uses the username and password specified by the **ppp pap sent-username** command to authenticate itself whenever it initiates a call to a remote device or when it has to respond to a remote device's request for outbound authentication.

Refusing PAP Authentication Requests

To refuse PAP authentication from peers requesting it, meaning that PAP authentication is disabled for all calls, use the following command in interface configuration mode:

Command or Action	Purpose
<pre>Router(config-if)# ppp pap refuse</pre>	Refuses PAP authentication from peers requesting PAP authentication.

If the **refuse** keyword is not used, the router will not refuse any PAP authentication challenges received from the peer.

Creating a Common CHAP Password

For remote CHAP authentication only, you can configure your router to create a common CHAP secret password to use in response to challenges from an unknown peer; for example, if your router calls a rotary of routers (either from another vendor, or running an older version of the Cisco IOS software) to which a new (that is, unknown) router has been added. The **ppp chap password** command allows you to replace several username and password configuration commands with a single copy of this command on any dialer interface or asynchronous group interface.

To enable a router calling a collection of routers to configure a common CHAP secret password, use the following command in interface configuration mode:

Command or Action	Purpose
<pre>Router(config-if)# ppp chap password secret</pre>	Enables a router calling a collection of routers to configure a common CHAP secret password.

Refusing CHAP Authentication Requests

To refuse CHAP authentication from peers requesting it, meaning that CHAP authentication is disabled for all calls, use the following command in interface configuration mode:

Command or Action	Purpose
<pre>Router(config-if)# ppp chap refuse [callin]</pre>	Refuses CHAP authentication from peers requesting CHAP authentication.

If the **callin** keyword is used, the router will refuse to answer CHAP authentication challenges received from the peer, but will still require the peer to answer any CHAP challenges the router sends.

If outbound PAP has been enabled (using the **ppp pap sent-username** command), PAP will be suggested as the authentication method in the refusal packet.

Delaying CHAP Authentication Until Peer Authenticates

To specify that the router will not authenticate to a peer requesting CHAP authentication until after the peer has authenticated itself to the router, use the following command in interface configuration mode:

Command or Action	Purpose
<pre>Router(config-if)# ppp chap wait secret</pre>	Configures the router to delay CHAP authentication until after the peer has authenticated itself to the router.

This command (which is the default) specifies that the router will not authenticate to a peer requesting CHAP authentication until the peer has authenticated itself to the router. The **no ppp chap wait** command specifies that the router will respond immediately to an authentication challenge.

Using MS-CHAP

Microsoft Challenge Handshake Authentication Protocol (MS-CHAP) is the Microsoft version of CHAP and is an extension of RFC 1994. Like the standard version of CHAP, MS-CHAP is used for PPP authentication; in this case, authentication occurs between a PC using Microsoft Windows NT or Microsoft Windows 95 and a Cisco router or access server acting as a network access server.

MS-CHAP differs from the standard CHAP as follows:

- MS-CHAP is enabled by negotiating CHAP Algorithm 0x80 in LCP option 3, Authentication Protocol.
- The MS-CHAP Response packet is in a format designed to be compatible with Microsoft Windows NT 3.5 and 3.51, Microsoft Windows 95, and Microsoft LAN Manager 2.x. This format does not require the authenticator to store a clear or reversibly encrypted password.
- MS-CHAP provides an authenticator-controlled authentication retry mechanism.
- MS-CHAP provides an authenticator-controlled change password mechanism.
- MS-CHAP defines a set of “reason-for failure” codes returned in the Failure packet message field.

Depending on the security protocols you have implemented, PPP authentication using MS-CHAP can be used with or without AAA security services. If you have enabled AAA, PPP authentication using MS-CHAP can be used in conjunction with both TACACS+ and RADIUS. The table below lists the vendor-specific RADIUS attributes (IETF Attribute 26) that enable RADIUS to support MS-CHAP.

Table 9 Vendor-Specific RADIUS Attributes for MS-CHAP

Vendor-ID Number	Vendor-Type Number	Vendor-Proprietary Attribute	Description
311	11	MSCHAP-Challenge	Contains the challenge sent by a network access server to an MS-CHAP user. It can be used in both Access-Request and Access-Challenge packets.
211	11	MSCHAP-Response	Contains the response value provided by a PPP MS-CHAP user in response to the challenge. It is only used in Access-Request packets. This attribute is identical to the PPP CHAP Identifier.

- [Defining PPP Authentication using MS-CHAP, page 48](#)

Defining PPP Authentication using MS-CHAP

To define PPP authentication using MS-CHAP, use the following commands in interface configuration mode:

SUMMARY STEPS

1. Router(config-if)# encapsulation ppp
2. Router(config-if)# ppp authentication ms-chap [if-needed] [list-name] [default] [callin] [one-time]

DETAILED STEPS

	Command or Action	Purpose
Step 1	Router(config-if)# encapsulation ppp	Enables PPP encapsulation.
Step 2	Router(config-if)# ppp authentication ms-chap [if-needed] [list-name] [default] [callin] [one-time]	Defines PPP authentication using MS-CHAP.

If you configure **ppp authentication ms-chap** on an interface, all incoming calls on that interface that initiate a PPP connection will have to be authenticated using MS-CHAP. If you configure the **ppp authentication** command with the **callin** keyword, the access server will only authenticate the remote device if the remote device initiated the call.

Authentication method lists and the **one-time** keyword are only available if you have enabled AAA--they will not be available if you are using TACACS or extended TACACS. If you specify the name of an authentication method list with the **ppp authentication** command, PPP will attempt to authenticate the connection using the methods defined in the specified method list. If AAA is enabled and no method list is

defined by name, PPP will attempt to authenticate the connection using the methods defined as the default. The **ppp authentication** command with the **one-time** keyword enables support for one-time passwords during authentication.

The **if-needed** keyword is only available if you are using TACACS or extended TACACS. The **ppp authentication** command with the **if-needed** keyword means that PPP will only authenticate the remote device via MS-CHAP if that device has not yet authenticated during the life of the current call. If the remote device authenticated through a standard login procedure and initiated PPP from the EXEC prompt, PPP will not authenticate through MS-CHAP if **ppp authentication chap if-needed** is configured.

**Note**

If PPP authentication using MS-CHAP is used with username authentication, you must include the MS-CHAP secret in the local username/password database. For more information about username authentication, refer to the “Establish Username Authentication” section.

Authentication Examples

- [RADIUS Authentication Examples, page 49](#)
- [TACACS Authentication Examples, page 50](#)
- [Kerberos Authentication Examples, page 51](#)
- [AAA Scalability Example, page 51](#)
- [Login and Failed Banner Examples, page 53](#)
- [AAA Packet of Disconnect Server Key Example, page 53](#)
- [Double Authentication Examples, page 53](#)
- [Automated Double Authentication Example, page 58](#)
- [MS-CHAP Example, page 60](#)

RADIUS Authentication Examples

This section provides two sample configurations using RADIUS.

The following example shows how to configure the router to authenticate and authorize using RADIUS:

```
aaa authentication login radius-login group radius local
aaa authentication ppp radius-ppp if-needed group radius
aaa authorization exec default group radius if-authenticated
aaa authorization network default group radius
line 3
login authentication radius-login
interface serial 0
ppp authentication radius-ppp
```

The lines in this sample RADIUS authentication and authorization configuration are defined as follows:

- The **aaa authentication login radius-login group radius local** command configures the router to use RADIUS for authentication at the login prompt. If RADIUS returns an error, the user is authenticated using the local database.
- The **aaa authentication ppp radius-ppp if-needed group radius** command configures the Cisco IOS software to use PPP authentication using CHAP or PAP if the user has not already logged in. If the EXEC facility has authenticated the user, PPP authentication is not performed.

- The **aaa authorization exec default group radius if-authenticated** command queries the RADIUS database for information that is used during EXEC authorization, such as autocommands and privilege levels, but only provides authorization if the user has successfully authenticated.
- The **aaa authorization network default group radius** command queries RADIUS for network authorization, address assignment, and other access lists.
- The **login authentication radius-login** command enables the radius-login method list for line 3.
- The **ppp authentication radius-ppp** command enables the radius-ppp method list for serial interface 0.

The following example shows how to configure the router to prompt for and verify a username and password, authorize the user's EXEC level, and specify it as the method of authorization for privilege level 2. In this example, if a local username is entered at the username prompt, that username is used for authentication.

If the user is authenticated using the local database, EXEC authorization using RADIUS will fail because no data is saved from the RADIUS authentication. The method list also uses the local database to find an autocommand. If there is no autocommand, the user becomes the EXEC user. If the user then attempts to issue commands that are set at privilege level 2, TACACS+ is used to attempt to authorize the command.

```
aaa authentication login default group radius local
aaa authorization exec default group radius local
aaa authorization command 2 default group tacacs+ if-authenticated
radius-server host 172.16.71.146 auth-port 1645 acct-port 1646
radius-server attribute 44 include-in-access-req
radius-server attribute 8 include-in-access-req
```

The lines in this sample RADIUS authentication and authorization configuration are defined as follows:

- The **aaa authentication login default group radius local** command specifies that the username and password are verified by RADIUS or, if RADIUS is not responding, by the router's local user database.
- The **aaa authorization exec default group radius local** command specifies that RADIUS authentication information be used to set the user's EXEC level if the user authenticates with RADIUS. If no RADIUS information is used, this command specifies that the local user database be used for EXEC authorization.
- The **aaa authorization command 2 default group tacacs+ if-authenticated** command specifies TACACS+ authorization for commands set at privilege level 2, if the user has already successfully authenticated.
- The **radius-server host 172.16.71.146 auth-port 1645 acct-port 1646** command specifies the IP address of the RADIUS server host, the UDP destination port for authentication requests, and the UDP destination port for accounting requests.
- The **radius-server attribute 44 include-in-access-req** command sends RADIUS attribute 44 (Acct-Session-ID) in access-request packets.
- The **radius-server attribute 8 include-in-access-req** command sends RADIUS attribute 8 (Framed-IP-Address) in access-request packets.

TACACS Authentication Examples

The following example shows how to configure TACACS+ as the security protocol to be used for PPP authentication:

```
aaa new-model
aaa authentication ppp test group tacacs+ local
interface serial 0
ppp authentication chap pap test
```

```
tacacs-server host 10.1.2.3
tacacs-server key goaway
```

The lines in this sample TACACS+ authentication configuration are defined as follows:

- The **aaa new-model** command enables the AAA security services.
- The **aaa authentication** command defines a method list, “test,” to be used on serial interfaces running PPP. The keywords **group tacacs+** means that authentication will be done through TACACS+. If TACACS+ returns an ERROR of some sort during authentication, the keyword **local** indicates that authentication will be attempted using the local database on the network access server.
- The **interface** command selects the line.
- The **ppp authentication** command applies the test method list to this line.
- The **tacacs-server host** command identifies the TACACS+ daemon as having an IP address of 10.1.2.3.
- The **tacacs-server key** command defines the shared encryption key to be “goaway.”

The following example shows how to configure AAA authentication for PPP:

```
aaa authentication ppp default if-needed group tacacs+ local
```

In this example, the keyword **default** means that PPP authentication is applied by default to all interfaces. The **if-needed** keyword means that if the user has already authenticated by going through the ASCII login procedure, then PPP is not necessary and can be skipped. If authentication is needed, the keywords **group tacacs+** means that authentication will be done through TACACS+. If TACACS+ returns an ERROR of some sort during authentication, the keyword **local** indicates that authentication will be attempted using the local database on the network access server.

The following example shows how to create the same authentication algorithm for PAP, but it calls the method list “MIS-access” instead of “default”:

```
aaa authentication ppp MIS-access if-needed group tacacs+ local
interface serial 0
ppp authentication pap MIS-access
```

In this example, because the list does not apply to any interfaces (unlike the default list, which applies automatically to all interfaces), the administrator must select interfaces to which this authentication scheme should apply by using the **interface** command. The administrator must then apply this method list to those interfaces by using the **ppp authentication** command.

Kerberos Authentication Examples

To specify Kerberos as the login authentication method, use the following command:

```
aaa authentication login default krb5
```

To specify Kerberos authentication for PPP, use the following command:

```
aaa authentication ppp default krb5
```

AAA Scalability Example

The following example shows a general security configuration using AAA with RADIUS as the security protocol. In this example, the network access server is configured to allocate 16 background processes to handle AAA requests for PPP.

```
aaa new-model
radius-server host alcatraz
```

```

radius-server key myRaDiUSpassWoRd
radius-server configure-nas
username root password ALongPassword
aaa authentication ppp dialins group radius local
aaa authentication login admins local
aaa authorization network default group radius local
aaa accounting network default start-stop group radius
aaa processes 16
line 1 16
  autoselect ppp
  autoselect during-login
  login authentication admins
  modem dialin
interface group-async 1
  group-range 1 16
  encapsulation ppp
  ppp authentication pap dialins

```

The lines in this sample RADIUS AAA configuration are defined as follows:

- The **aaa new-model** command enables AAA network security services.
- The **radius-server host** command defines the name of the RADIUS server host.
- The **radius-server key** command defines the shared secret text string between the network access server and the RADIUS server host.
- The **radius-server configure-nas** command defines that the Cisco router or access server will query the RADIUS server for static routes and IP pool definitions when the device first starts up.
- The **username** command defines the username and password to be used for the PPP Password Authentication Protocol (PAP) caller identification.
- The **aaa authentication ppp dialins group radius local** command defines the authentication method list “dialins,” which specifies that RADIUS authentication, then (if the RADIUS server does not respond) local authentication will be used on serial lines using PPP.
- The **aaa authentication login admins local** command defines another method list, “admins,” for login authentication.
- The **aaa authorization network default group radius local** command is used to assign an address and other network parameters to the RADIUS user.
- The **aaa accounting network default start-stop group radius** command tracks PPP usage.
- The **aaa processes** command allocates 16 background processes to handle AAA requests for PPP.
- The **line** command switches the configuration mode from global configuration to line configuration and identifies the specific lines being configured.
- The **autoselect ppp** command configures the Cisco IOS software to allow a PPP session to start up automatically on these selected lines.
- The **autoselect during-login** command is used to display the username and password prompt without pressing the Return key. After the user logs in, the autoselect function (in this case, PPP) begins.
- The **login authentication admins** command applies the “admins” method list for login authentication.
- The **modem dialin** command configures modems attached to the selected lines to only accept incoming calls.
- The **interface group-async** command selects and defines an asynchronous interface group.
- The **group-range** command defines the member asynchronous interfaces in the interface group.
- The **encapsulation ppp** command sets PPP as the encapsulation method used on the specified interfaces.
- The **ppp authentication pap dialins** command applies the “dialins” method list to the specified interfaces.

Login and Failed Banner Examples

The following example shows how to configure a login banner (in this case, the phrase “Unauthorized Access Prohibited”) that will be displayed when a user logs in to the system. The asterisk (*) is used as the delimiting character. (RADIUS is specified as the default login authentication method.)

```
aaa new-model
aaa authentication banner *Unauthorized Access Prohibited*
aaa authentication login default group radius
```

This configuration produces the following login banner:

```
Unauthorized Access Prohibited
Username:
```

The following example shows how to additionally configure a failed login banner (in this case, the phrase “Failed login. Try again.”) that will be displayed when a user tries to log in to the system and fails. The asterisk (*) is used as the delimiting character. (RADIUS is specified as the default login authentication method.)

```
aaa new-model
aaa authentication banner *Unauthorized Access Prohibited*
aaa authentication fail-message *Failed login. Try again.*
aaa authentication login default group radius
```

This configuration produces the following login and failed login banner:

```
Unauthorized Access Prohibited
Username:
Password:
Failed login. Try again.
```

AAA Packet of Disconnect Server Key Example

The following example shows how to configure POD (packet of disconnect), which terminates connections on the network access server (NAS) when particular session attributes are identified.

```
aaa new-model
aaa authentication ppp default radius
aaa accounting network default start-stop radius
aaa accounting delay-start
aaa pod server server-key xyz123
radius-server host 172.16.0.0 non-standard
radius-server key rad123
```

Double Authentication Examples

The examples in this section illustrate possible configurations to be used with double authentication. Your configurations could differ significantly, depending on your network and security requirements.



Note

These configuration examples include specific IP addresses and other specific information. This information is for illustration purposes only: your configuration will use different IP addresses, different usernames and passwords, and different authorization statements.

- [Configuration of the Local Host for AAA with Double Authentication Examples, page 54](#)

- [Configuration of the AAA Server for First-Stage PPP Authentication and Authorization Example, page 54](#)
- [Configuration of the AAA Server for Second-Stage Per-User Authentication and Authorization Examples, page 55](#)
- [Complete Configuration with TACACS Example, page 55](#)

Configuration of the Local Host for AAA with Double Authentication Examples

These two examples show how to configure a local host to use AAA for PPP and login authentication, and for network and EXEC authorization. One example is shown for RADIUS and one example for TACACS+.

In both examples, the first three lines configure AAA, with a specific server as the AAA server. The next two lines configure AAA for PPP and login authentication, and the last two lines configure network and EXEC authorization. The last line is necessary only if the **access-profile** command will be executed as an autocommand.

The following example shows router configuration with a RADIUS AAA server:

```
aaa new-model
radius-server host secureserver
radius-server key myradiuskey
aaa authentication ppp default group radius
aaa authentication login default group radius
aaa authorization network default group radius
aaa authorization exec default group radius
```

The following example shows router configuration with a TACACS+ server:

```
aaa new-model
tacacs-server host security
tacacs-server key mytacacskey
aaa authentication ppp default group tacacs+
aaa authentication login default group tacacs+
aaa authorization network default group tacacs+
aaa authorization exec default group tacacs+
```

Configuration of the AAA Server for First-Stage PPP Authentication and Authorization Example

This example shows a configuration on the AAA server. A partial sample AAA configuration is shown for RADIUS.

TACACS+ servers can be configured similarly. See Complete Configuration with TACACS Example for more information.

This example defines authentication/authorization for a remote host named “hostx” that will be authenticated by CHAP in the first stage of double authentication. Note that the ACL AV pair limits the remote host to Telnet connections to the local host. The local host has the IP address 10.0.0.2.

The following example shows a partial AAA server configuration for RADIUS:

```
hostx Password = "welcome"
User-Service-Type = Framed-User,
Framed-Protocol = PPP,
cisco-avpair = "lcp:interface-config=ip unnumbered ethernet 0",
cisco-avpair = "ip:inacl#3=permit tcp any 172.21.114.0 0.0.0.255 eq telnet",
cisco-avpair = "ip:inacl#4=deny icmp any any",
cisco-avpair = "ip:route#5=10.0.0.0 255.0.0.0",
cisco-avpair = "ip:route#6=10.10.0.0 255.0.0.0",
cisco-avpair = "ipx:inacl#3=deny any"
```

Configuration of the AAA Server for Second-Stage Per-User Authentication and Authorization Examples

This section contains partial sample AAA configurations on a RADIUS server. These configurations define authentication and authorization for a user (Pat) with the username “patuser,” who will be user-authenticated in the second stage of double authentication.

TACACS+ servers can be configured similarly. See Complete Configuration with TACACS Example for more information.

Three examples show sample RADIUS AAA configurations that could be used with each of the three forms of the **access-profile** command.

The first example shows a partial sample AAA configuration that works with the default form (no keywords) of the **access-profile** command. Note that only ACL AV pairs are defined. This example also sets up the **access-profile** command as an autocommand.

```
patuser Password = "welcome"
        User-Service-Type = Shell-User,
        cisco-avpair = "shell:autocmd=access-profile"
        User-Service-Type = Framed-User,
        Framed-Protocol = PPP,
        cisco-avpair = "ip:inacl#3=permit tcp any host 10.0.0.2 eq telnet",
        cisco-avpair = "ip:inacl#4=deny icmp any any"
```

The second example shows a partial sample AAA configuration that works with the **access-profile merge** form of the **access-profile** command. This example also sets up the **access-profile merge** command as an autocommand.

```
patuser Password = "welcome"
        User-Service-Type = Shell-User,
        cisco-avpair = "shell:autocmd=access-profile merge"
        User-Service-Type = Framed-User,
        Framed-Protocol = PPP,
        cisco-avpair = "ip:inacl#3=permit tcp any any"
        cisco-avpair = "ip:route=10.0.0.0 255.255.0.0",
        cisco-avpair = "ip:route=10.1.0.0 255.255.0.0",
        cisco-avpair = "ip:route=10.2.0.0 255.255.0.0"
```

The third example shows a partial sample AAA configuration that works with the **access-profile replace** form of the **access-profile** command. This example also sets up the **access-profile replace** command as an autocommand.

```
patuser Password = "welcome"
        User-Service-Type = Shell-User,
        cisco-avpair = "shell:autocmd=access-profile replace"
        User-Service-Type = Framed-User,
        Framed-Protocol = PPP,
        cisco-avpair = "ip:inacl#3=permit tcp any any",
        cisco-avpair = "ip:inacl#4=permit icmp any any",
        cisco-avpair = "ip:route=10.10.0.0 255.255.0.0",
        cisco-avpair = "ip:route=10.11.0.0 255.255.0.0",
        cisco-avpair = "ip:route=10.12.0.0 255.255.0.0"
```

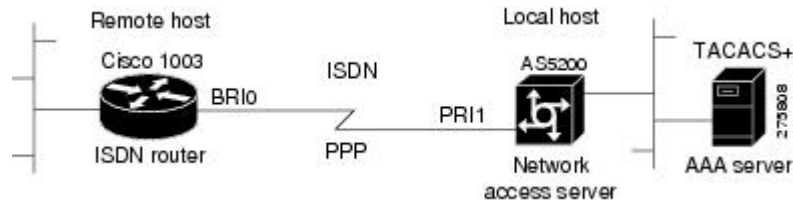
Complete Configuration with TACACS Example

This example shows TACACS+ authorization profile configurations both for the remote host (used in the first stage of double authentication) and for specific users (used in the second stage of double authentication). This TACACS+ example contains approximately the same configuration information as shown in the previous RADIUS examples.

This sample configuration shows authentication/authorization profiles on the TACACS+ server for the remote host "hostx" and for three users, with the usernames "pat_default," "pat_merge," and "pat_replace." The configurations for these three usernames illustrate different configurations that correspond to the three different forms of the **access-profile** command. The three user configurations also illustrate setting up the autocommand for each form of the **access-profile** command.

The figure below shows the topology. The example that follows the figure shows a TACACS+ configuration file.

Figure 3 Example Topology for Double Authentication



This sample configuration shows authentication/authorization profiles on the TACACS+ server for the remote host "hostx" and for three users, with the usernames "pat_default," "pat_merge," and "pat_replace."

```
key = "mytacacskey"
default authorization = permit
#-----Remote Host (BRI)-----
#
# This allows the remote host to be authenticated by the local host
# during fist-stage authentication, and provides the remote host
# authorization profile.
#
#-----
user = hostx
{
  login = cleartext "welcome"
  chap = cleartext "welcome"
  service = ppp protocol = lcp {
    interface-config="ip unnumbered ethernet 0"
  }
  service = ppp protocol = ip {
    # It is important to have the hash sign and some string after
    # it. This indicates to the NAS that you have a per-user
    # config.
    inacl#3="permit tcp any 172.21.114.0 0.0.0.255 eq telnet"
    inacl#4="deny icmp any any"
    route#5="10.0.0.0 255.0.0.0"
    route#6="10.10.0.0 255.0.0.0"
  }
  service = ppp protocol = ipx {
    # see previous comment about the hash sign and string, in protocol = ip
    inacl#3="deny any"
  }
}
#----- "access-profile" default user "only acls" -----
#
# Without arguments, access-profile removes any access-lists it can find
# in the old configuration (both per-user and per-interface), and makes sure
# that the new profile contains ONLY access-list definitions.
#
#-----
user = pat_default
{
  login = cleartext "welcome"
  chap = cleartext "welcome"
  service = exec
  {
    # This is the autocommand that executes when pat_default logs in.
  }
}
```



```

        autocmd = "access-profile"
    }
    service = ppp protocol = ip {
        # Put whatever access-lists, static routes, whatever
        # here.
        # If you leave this blank, the user will have NO IP
        # access-lists (not even the ones installed prior to
        # this)!
        inacl#3="permit tcp any host 10.0.0.2 eq telnet"
        inacl#4="deny icmp any any"
    }
    service = ppp protocol = ipx {
        # Put whatever access-lists, static routes, whatever
        # here.
        # If you leave this blank, the user will have NO IPX
        # access-lists (not even the ones installed prior to
        # this)!
    }
}
#----- "access-profile merge" user -----
#
# With the 'merge' option, first all old access-lists are removed (as before),
# but then (almost) all AV pairs are uploaded and installed. This will allow
# for uploading any custom static routes, sap-filters, and so on, that the user
# may need in his or her profile. This needs to be used with care, as it leaves
# open the possibility of conflicting configurations.
#
#-----
user = pat_merge
{
    login = cleartext "welcome"
    chap = cleartext "welcome"
    service = exec
    {
        # This is the autocmd that executes when pat_merge logs in.
        autocmd = "access-profile merge"
    }
    service = ppp protocol = ip
    {
        # Put whatever access-lists, static routes, whatever
        # here.
        # If you leave this blank, the user will have NO IP
        # access-lists (not even the ones installed prior to
        # this)!
        inacl#3="permit tcp any any"
        route#2="10.0.0.0 255.255.0.0"
        route#3="10.1.0.0 255.255.0.0"
        route#4="10.2.0.0 255.255.0.0"
    }
    service = ppp protocol = ipx
    {
        # Put whatever access-lists, static routes, whatever
        # here.
        # If you leave this blank, the user will have NO IPX
        # access-lists (not even the ones installed prior to
        # this)!
    }
}
#----- "access-profile replace" user -----
#
# With the 'replace' option, ALL old configuration is removed and ALL new
# configuration is installed.
#
# One caveat: access-profile checks the new configuration for address-pool and
# address AV pairs. As addresses cannot be renegotiated at this point, the
# command will fail (and complain) when it encounters such an AV pair.
# Such AV pairs are considered to be "invalid" for this context.
#-----
user = pat_replace
{
    login = cleartex
t
"
```

```
welcome
"
    chap = cleartext "welcome"
    service = exec
    {
        # This is the autocommand that executes when pat_replace logs in.
        autocmd = "access-profile replace"
    }
    service = ppp protocol = ip
    {
        # Put whatever access-lists, static routes, whatever
        # here.
        # If you leave this blank, the user will have NO IP
        # access-lists (not even the ones installed prior to
        # this)!
        inacl#3="permit tcp any any"
        inacl#4="permit icmp any any"
        route#2="10.10.0.0 255.255.0.0"
        route#3="10.11.0.0 255.255.0.0"
        route#4="10.12.0.0 255.255.0.0"
    }
    service = ppp protocol = ipx
    {
        # put whatever access-lists, static routes, whatever
        # here.
        # If you leave this blank, the user will have NO IPX
        # access-lists (not even the ones installed prior to
        # this)!
    }
}
```

Automated Double Authentication Example

This example shows a complete configuration file for a Cisco 2509 router with automated double authentication configured. The configuration commands that apply to automated double authentication are preceded by descriptions with a double asterisk (**).

```
Current configuration:
!
version 11.3
no service password-encryption
!
hostname myrouter
!
!
! **The following AAA commands are used to configure double authentication:
!
! **The following command enables AAA:
aaa new-model
! **The following command enables user authentication via the TACACS+ AAA server:
aaa authentication login default group tacacs+
aaa authentication login console none
! **The following command enables device authentication via the TACACS+ AAA server:
aaa authentication ppp default group tacacs+
! **The following command causes the remote user's authorization profile to be
! downloaded from the AAA server to the Cisco 2509 router when required:
aaa authorization exec default group tacacs+
! **The following command causes the remote device's authorization profile to be
! downloaded from the AAA server to the Cisco 2509 router when required:
aaa authorization network default group tacacs+
enable password mypassword
!
ip host blue 172.21.127.226
ip host green 172.21.127.218
ip host red 172.21.127.114
ip domain-name example.com
ip name-server 172.16.2.75
! **The following command globally enables automated double authentication:
ip trigger-authentication timeout 60 port 7500
isdn switch-type basic-5ess
```

```
!  
!  
interface Ethernet0  
  ip address 172.21.127.186 255.255.255.248  
  no ip route-cache  
  no ip mroute-cache  
  no keepalive  
  ntp disable  
  no cdp enable  
!  
interface Virtual-Template1  
  ip unnumbered Ethernet0  
  no ip route-cache  
  no ip mroute-cache  
!  
interface Serial0  
  ip address 172.21.127.105 255.255.255.248  
  encapsulation ppp  
  no ip mroute-cache  
  no keepalive  
  shutdown  
  clockrate 2000000  
  no cdp enable  
!  
interface Serial1  
  no ip address  
  no ip route-cache  
  no ip mroute-cache  
  shutdown  
  no cdp enable  
!  
! **Automated double authentication occurs via the ISDN BRI interface BRI0:  
interface BRI0  
  ip unnumbered Ethernet0  
! **The following command turns on automated double authentication at this interface:  
  ip trigger-authentication  
! **PPP encapsulation is required:  
  encapsulation ppp  
  no ip route-cache  
  no ip mroute-cache  
  dialer idle-timeout 500  
  dialer map ip 172.21.127.113 name myrouter 60074  
  dialer-group 1  
  no cdp enable  
! **The following command specifies that device authentication occurs via PPP CHAP:  
  ppp authentication chap  
!  
router eigrp 109  
  network 172.21.0.0  
  no auto-summary  
!  
ip default-gateway 172.21.127.185  
no ip classless  
ip route 172.21.127.114 255.255.255.255 172.21.127.113  
! **Virtual profiles are required for double authentication to work:  
virtual-profile virtual-template 1  
dialer-list 1 protocol ip permit  
no cdp run  
! **The following command defines where the TACACS+ AAA server is:  
tacacs-server host 171.69.57.35 port 1049  
tacacs-server timeout 90  
! **The following command defines the key to use with TACACS+ traffic (required):  
tacacs-server key mytacacskey  
snmp-server community public RO  
!  
line con 0  
  exec-timeout 0 0  
  login authentication console  
line aux 0  
  transport input all  
line vty 0 4  
  exec-timeout 0 0  
  password lab
```

```
!
end
```

MS-CHAP Example

The following example shows how to configure a Cisco AS5200 Universal Access Server (enabled for AAA and communication with a RADIUS security server) for PPP authentication using MS-CHAP:

```
aaa new-model
aaa authentication login admins local
aaa authentication ppp dialins group radius local
aaa authorization network default group radius local
aaa accounting network default start-stop group radius
username root password ALongPassword
radius-server host alcatraz
radius-server key myRaDiUSpassWoRd
interface group-async 1
  group-range 1 16
  encapsulation ppp
  ppp authentication ms-chap dialins
line 1 16
  autoselect ppp
  autoselect during-login
  login authentication admins
  modem dialin
```

The lines in this sample RADIUS AAA configuration are defined as follows:

- The **aaa new-model** command enables AAA network security services.
- The **aaa authentication login admins local** command defines another method list, “admins”, for login authentication.
- The **aaa authentication ppp dialins group radius local** command defines the authentication method list “dialins,” which specifies that RADIUS authentication then (if the RADIUS server does not respond) local authentication will be used on serial lines using PPP.
- The **aaa authorization network default group radius local** command is used to assign an address and other network parameters to the RADIUS user.
- The **aaa accounting network default start-stop group radius** command tracks PPP usage.
- The **username** command defines the username and password to be used for the PPP Password Authentication Protocol (PAP) caller identification.
- The **radius-server host** command defines the name of the RADIUS server host.
- The **radius-server key** command defines the shared secret text string between the network access server and the RADIUS server host.
- The **interface group-async** command selects and defines an asynchronous interface group.
- The **group-range** command defines the member asynchronous interfaces in the interface group.
- The **encapsulation ppp** command sets PPP as the encapsulation method used on the specified interfaces.
- The **ppp authentication ms-chap dialins** command selects MS-CHAP as the method of PPP authentication and applies the “dialins” method list to the specified interfaces.
- The **line** command switches the configuration mode from global configuration to line configuration and identifies the specific lines being configured.
- The **autoselect ppp** command configures the Cisco IOS software to allow a PPP session to start up automatically on these selected lines.
- The **autoselect during-login** command is used to display the username and password prompt without pressing the Return key. After the user logs in, the autoselect function (in this case, PPP) begins.
- The **login authentication admins** command applies the “admins” method list for login authentication.

- The **modem dialin** command configures modems attached to the selected lines to only accept incoming calls.

Additional References

Related Documents

Related Topic	Document Title
Authorization	Configuring Authorization module.
Accounting	Configuring Accounting module.
RADIUS server	Configuring RADIUS module.
TACACS+ server	Configuring TACACS+ module.
Kerberos	Configuring Kerberos module.

Standards and RFCs

Standard/RFC	Title
RFC 2903	<i>Generic AAA Architecture</i>
RFC 2904	<i>AAA Authorization Framework</i>
RFC 2906	<i>AAA Authorization Requirements</i>
RFC 2989	<i>Criteria for Evaluating AAA Protocols for Network Access</i>
RFC 5176	<i>Dynamic Authorization Extensions to Remote Authentication Dial In User Service (RADIUS)</i>

MIBs

MIB	MIBs Link
No new or modified MIBs are supported by this feature, and support for existing MIBs has not been modified by this feature.	To locate and download MIBs for selected platforms, Cisco IOS releases, and feature sets, use Cisco MIB Locator found at the following URL: http://www.cisco.com/go/mibs

Technical Assistance

Description	Link
The Cisco Support and Documentation website provides online resources to download documentation, software, and tools. Use these resources to install and configure the software and to troubleshoot and resolve technical issues with Cisco products and technologies. Access to most tools on the Cisco Support and Documentation website requires a Cisco.com user ID and password.	http://www.cisco.com/cisco/web/support/index.html

Feature Information for Configuring Authentication

The following table provides release information about the feature or features described in this module. This table lists only the software release that introduced support for a given feature in a given software release train. Unless noted otherwise, subsequent releases of that software release train also support that feature.

Use Cisco Feature Navigator to find information about platform support and Cisco software image support. To access Cisco Feature Navigator, go to www.cisco.com/go/cfn. An account on Cisco.com is not required.

Table 10 *Feature Information for Configuring Authentication*

Feature Name	Releases	Feature Information
Authentication	12.0 XE 2.1	This feature was introduced in the Cisco IOS Release 12.0 software. This feature was introduced in the Cisco IOS Release XE 2.1 software.
AAA Per-User Scalability	12.2(27)SB 12.2(33)SR 15.0(1)M	This feature was introduced in Cisco IOS Release 12.2(27)SB. This feature was integrated into Cisco IOS Release 12.2(33)SR. This feature was integrated into Cisco IOS Release 15.0(1)M.

Feature Name	Releases	Feature Information
RADIUS - CLI to Prevent Sending of Access Request with a Blank Username	12.2(33)SRD Cisco IOS XE Release 2.4	<p>This Authentication feature prevents an Access Request with a blank username from being sent to the RADIUS server. This functionality ensures that unnecessary RADIUS server interaction is avoided and RADIUS logs are kept short.</p> <p>The following command was introduced: aaa authentication suppress null-username.</p>
LDAP integration with Active Directory	15.1(1)T	<p>This feature provides the authentication and authorization support for AAA. LDAP is a standard-based protocol used to access directories. It is based on a client server model similar to RADIUS. LDAP is deployed on Cisco devices to send authentication requests to a central LDAP server that contains all user authentication and network service access information.</p> <p>The following command was introduced: aaa authentication login default group ldap</p>

Feature Name	Releases	Feature Information
Change of Authorization (COA)	12.2(33)SXI4, 15.2(2)T	<p data-bbox="1114 289 1474 724">Beginning with Cisco IOS Release 12.2(33)SXI4, and integrated into Cisco IOS 15.2(2)T, the Cisco IOS supports the RADIUS Change of Authorization (CoA) extensions defined in RFC 5176. COA extensions are typically used in a pushed model and allow for the dynamic reconfiguring of sessions from external authentication, authorization, and accounting (AAA) or policy servers.</p> <p data-bbox="1114 745 1474 934">The following commands were introduced: aaa server radius dynamic author, authentication command bounce-port ignore, authentication command disable-port ignore.</p>

Cisco and the Cisco logo are trademarks or registered trademarks of Cisco and/or its affiliates in the U.S. and other countries. To view a list of Cisco trademarks, go to this URL: www.cisco.com/go/trademarks. Third-party trademarks mentioned are the property of their respective owners. The use of the word partner does not imply a partnership relationship between Cisco and any other company. (1110R)

Any Internet Protocol (IP) addresses and phone numbers used in this document are not intended to be actual addresses and phone numbers. Any examples, command display output, network topology diagrams, and other figures included in the document are shown for illustrative purposes only. Any use of actual IP addresses or phone numbers in illustrative content is unintentional and coincidental.

© 2012 Cisco Systems, Inc. All rights reserved.