



MPLS VPN--Route Target Rewrite

Last Updated: December 15, 2011

The MPLS VPN--Route Target Rewrite feature allows the replacement of route targets on incoming and outgoing Border Gateway Protocol (BGP) updates. Typically, Autonomous System Border Routers (ASBRs) perform the replacement of route targets at autonomous system boundaries. Route Reflectors (RRs) and provider edge (PE) routers can also perform route target replacement.

The main advantage of the MPLS VPN--Route Target Rewrite feature is that it keeps the administration of routing policy local to the autonomous system.

- [Finding Feature Information, page 1](#)
- [Prerequisites for MPLS VPN--Route Target Rewrite, page 1](#)
- [Restrictions for MPLS VPN--Route Target Rewrite, page 2](#)
- [Information About MPLS VPN--Route Target Rewrite, page 2](#)
- [How to Configure MPLS VPN--Route Target Rewrite, page 3](#)
- [Configuration Examples for MPLS VPN--Route Target Rewrite, page 14](#)
- [Additional References, page 16](#)
- [Feature Information for MPLS VPN--Route Target Rewrite, page 17](#)
- [Glossary, page 18](#)

Finding Feature Information

Your software release may not support all the features documented in this module. For the latest feature information and caveats, see the release notes for your platform and software release. To find information about the features documented in this module, and to see a list of the releases in which each feature is supported, see the Feature Information Table at the end of this document.

Use Cisco Feature Navigator to find information about platform support and Cisco software image support. To access Cisco Feature Navigator, go to www.cisco.com/go/cfn. An account on Cisco.com is not required.

Prerequisites for MPLS VPN--Route Target Rewrite

- You should know how to configure Multiprotocol Virtual Private Networks (MPLS VPNs).



Americas Headquarters:
Cisco Systems, Inc., 170 West Tasman Drive, San Jose, CA 95134-1706 USA

- You need to configure your network to support interautonomous systems with different route target (RT) values in each autonomous system.
- You need to identify the RT replacement policy and target router for each autonomous system.

Restrictions for MPLS VPN--Route Target Rewrite

You can apply multiple replacement rules using the route-map continue clause. The MPLS VPN--Route Target Rewrite feature does not support the continue clause on outbound route maps.

Information About MPLS VPN--Route Target Rewrite

- [Route Target Replacement Policy, page 2](#)
- [Route Maps and Route Target Replacement, page 3](#)

Route Target Replacement Policy

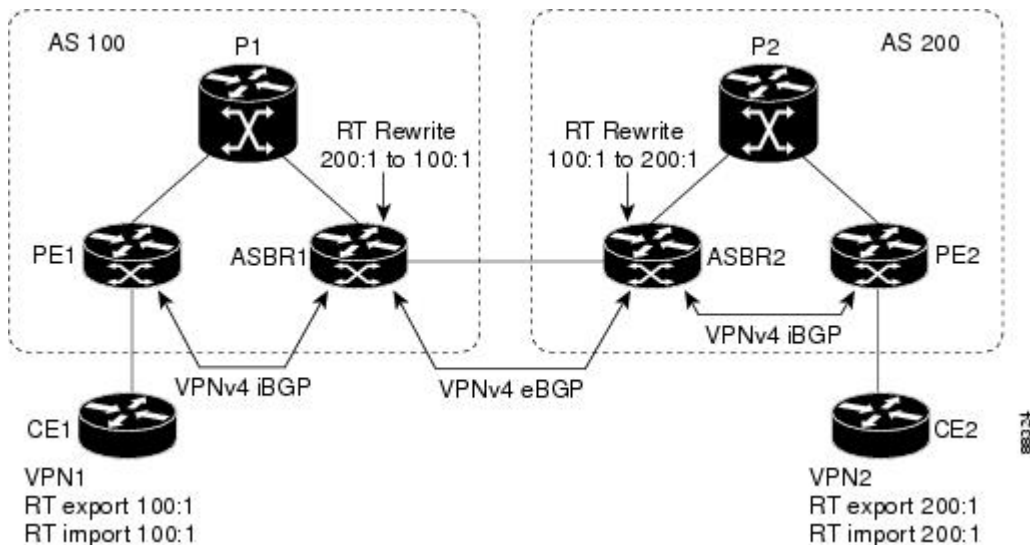
Routing policies for a peer include all configurations that may impact inbound or outbound routing table updates. The MPLS VPN Route Target Rewrite feature can influence routing table updates by allowing the replacement of route targets on inbound and outbound BGP updates. Route targets are carried as extended community attributes in BGP Virtual Private Network IP Version 4 (VPNv4) updates. Route target extended community attributes are used to identify a set of sites and VPN routing and forwarding (VRF) instances that can receive routes with a configured route target.

In general, ASBRs perform route target replacement at autonomous system borders when the ASBRs exchange VPNv4 prefixes. You can also configure the MPLS VPN Route Target Rewrite feature on PE routers and RR routers.

The figure below shows an example of route target replacement on ASBRs in an MPLS VPN interautonomous system topology. This example includes the following configurations:

- PE1 is configured to import and export RT 100:1 for VRF VPN1.
- PE2 is configured to import and export RT 200:1 for VRF VPN2.
- ASBR1 is configured to rewrite all inbound VPNv4 prefixes with RT 200:1 to RT 100:1.
- ASBR2 is configured to rewrite all inbound VPNv4 prefixes with RT 100:1 to RT 200:1.

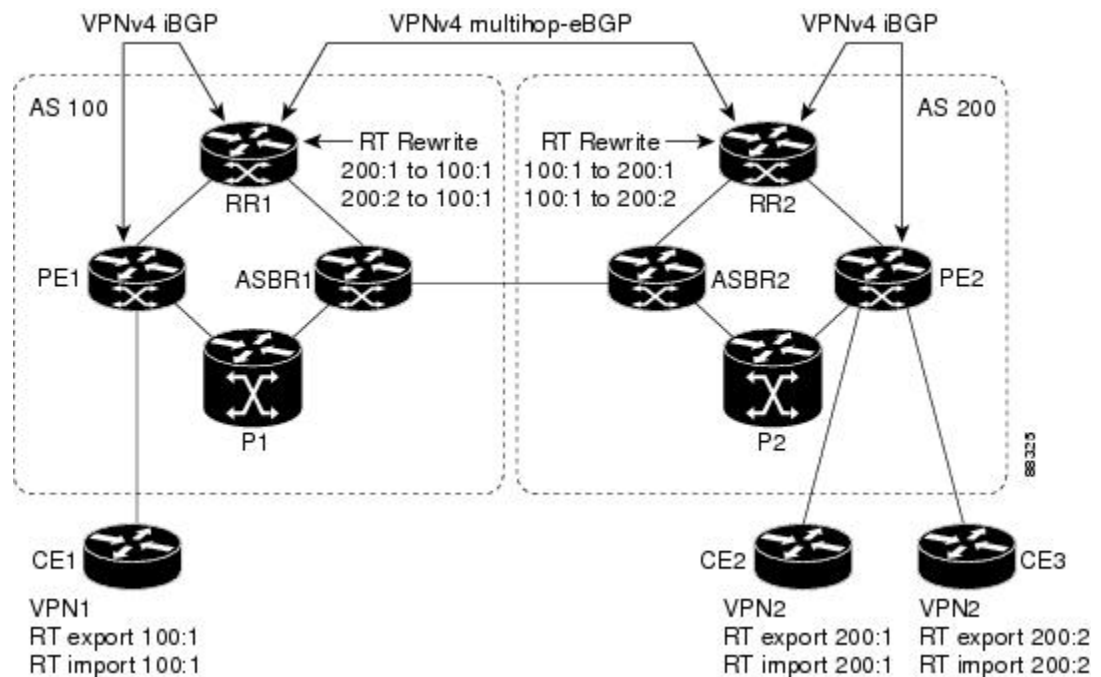
Figure 1 Route Target Replacement on ASBRs in an MPLS VPN Interautonomous System Topology



The figure below shows an example of route target replacement on route reflectors in an MPLS VPN interautonomous system topology. This example includes the following configurations:

- EBGP is configured on the route reflectors.
- EBGP and IBGP IPv4 label exchange is configured between all BGP routers.
- Peer groups are configured on the routers reflectors.
- PE2 is configured to import and export RT 200:1 for VRF VPN2.
- PE2 is configured to import and export RT 200:2 for VRF VPN3.
- PE1 is configured to import and export RT 100:1 for VRF VPN1.
- RR1 is configured to rewrite all inbound VPNv4 prefixes with RT 200:1 or RT 200:2 to RT 100:1.
- RR2 is configured to rewrite all inbound prefixes with RT 100:1 to RT 200:1 and RT 200:2.

Figure 2 Route Target Rewrite on Route Reflectors in an MPLS VPN Interautonomous System Topology



Route Maps and Route Target Replacement

The MPLS VPN--Route Target Rewrite feature extends the BGP inbound/outbound route map functionality to enable route target replacement. The `set extcomm-list delete` command entered in route-map configuration mode allows the deletion of a route target extended community attribute based on an extended community list.

How to Configure MPLS VPN--Route Target Rewrite

- [Configuring a Route Target Replacement Policy, page 4](#)
- [Applying the Route Target Replacement Policy, page 7](#)
- [Verifying the Route Target Replacement Policy, page 11](#)
- [Troubleshooting Your Route Target Replacement Policy, page 12](#)

Configuring a Route Target Replacement Policy

Perform this task to configure an RT replacement policy for your internetwork.

If you configure a PE to rewrite RT *x* to RT *y* and the PE has a VRF that imports RT *x* , you need to configure the VRF to import RT *y* in addition to RT *x* .

SUMMARY STEPS

1. **enable**
2. **configure terminal**
3. **ip extcommunity-list** {*standard-list-number* | *expanded-list-number*} {**permit** | **deny**} [*regular-expression*] [**rt** | **soo** *extended-community-value*]
4. **route-map** *map-name* [**permit** | **deny**] [*sequence-number*]
5. **match extcommunity** {*standard-list-number* | *expanded-list-number*}
6. **set extcomm-list** *extended-community-list-number* **delete**
7. **set extcommunity** {**rt** *extended-community-value* [**additive**] | **soo** *extended-community-value*}
8. **end**
9. **show route-map** *map-name*

DETAILED STEPS

	Command or Action	Purpose
Step 1	enable Example: Router> enable	Enables privileged EXEC mode. <ul style="list-style-type: none"> • Enter your password if prompted.
Step 2	configure terminal Example: Router# configure terminal	Enters global configuration mode.

Command or Action	Purpose
<p>Step 3 ip extcommunity-list {<i>standard-list-number</i> <i>expanded-list-number</i>} {permit deny} [<i>regular-expression</i>] [rt soo <i>extended-community-value</i>]</p> <p>Example:</p> <pre>Router(config)# ip extcommunity-list 1 permit rt 100:3</pre>	<p>Creates an extended community access list and controls access to it.</p> <ul style="list-style-type: none"> • The <i>standard-list-number</i> argument is an integer from 1 to 99 that identifies one or more permit or deny groups of extended communities. • The <i>expanded-list-number</i> argument is an integer from 100 to 500 that identifies one or more permit or deny groups of extended communities. Regular expressions can be configured with expanded lists but not standard lists. • The permit keyword permits access for a matching condition. • The deny keyword denies access for a matching condition. • The <i>regular-expression</i> argument specifies an input string pattern to match against. When you use an expanded extended community list to match route targets, include the pattern RT: in the regular expression. • The rt keyword specifies the route target extended community attribute. The rt keyword can be configured only with standard extended community lists and not expanded community lists. • The soo keyword specifies the site of origin (SOO) extended community attribute. The soo keyword can be configured only with standard extended community lists and not expanded community lists. • The <i>extended-community-value</i> argument specifies the route target or site of origin. The value can be one of the following combinations: <ul style="list-style-type: none"> ◦ autonomous-system-number:network-number ◦ ip-address:network-number <p>The colon is used to separate the autonomous system number and network number or IP address and network number.</p>

Command or Action	Purpose
<p>Step 4 <code>route-map map-name [permit deny] [sequence-number]</code></p> <p>Example:</p> <pre>Router(config)# route-map extmap permit 10</pre>	<p>Defines the conditions for redistributing routes from one routing protocol into another or enables policy routing and enables route-map configuration mode.</p> <ul style="list-style-type: none"> The <i>map-name</i> argument defines a meaningful name for the route map. The redistribute router configuration command uses this name to reference this route map. Multiple route maps may share the same map name. If the match criteria are met for this route map, and the permit keyword is specified, the route is redistributed as controlled by the set actions. In the case of policy routing, the packet is policy routed. <p>If the match criteria are not met, and the permit keyword is specified, the next route map with the same map tag is tested. If a route passes none of the match criteria for the set of route maps sharing the same name, it is not redistributed by that set.</p> <p>The permit keyword is the default.</p> <ul style="list-style-type: none"> If the match criteria are met for the route map and the deny keyword is specified, the route is not redistributed. In the case of policy routing, the packet is not policy routed, and no further route maps sharing the same map tag name will be examined. If the packet is not policy routed, the normal forwarding algorithm is used. The <i>sequence-number</i> argument is a number that indicates the position a new route map will have in the list of route maps already configured with the same name. If given with the no form of this command, the position of the route map should be deleted.
<p>Step 5 <code>match extcommunity {standard-list-number expanded-list-number}</code></p> <p>Example:</p> <pre>Router(config-route-map)# match extcommunity 1</pre> <p>Example:</p> <pre>Router(config-route-map)# match extcommunity 101</pre>	<p>Matches BGP extended community list attributes.</p> <ul style="list-style-type: none"> The <i>standard-list-number</i> argument is a number from 1 to 99 that identifies one or more permit or deny groups of extended community attributes. The <i>expanded-list-number</i> argument is a number from 100 to 500 that identifies one or more permit or deny groups of extended community attributes.
<p>Step 6 <code>set extcomm-list extended-community-list-number delete</code></p> <p>Example:</p> <pre>Router(config-route-map)# set extcomm-list 1 delete</pre>	<p>Removes a route target from an extended community attribute of an inbound or outbound BGP VPNv4 update.</p> <ul style="list-style-type: none"> The <i>extended-community-list-number</i> argument specifies the extended community list number.

Command or Action	Purpose
<p>Step 7 <code>set extcommunity {rt <i>extended-community-value</i> [additive] soo <i>extended-community-value</i>}</code></p> <p>Example:</p> <pre>Router(config-route-map)# set extcommunity rt 100:4 additive</pre>	<p>Sets BGP extended community attributes.</p> <ul style="list-style-type: none"> • The rt keyword specifies the route target extended community attribute. • The soo keyword specifies the site of origin extended community attribute. • The <i>extended-community-value</i> argument specifies the value to be set. The value can be one of the following combinations: <ul style="list-style-type: none"> ◦ <code>autonomous-system-number : network-number</code> ◦ <code>ip-address : network-number</code> <p>The colon is used to separate the autonomous system number and network number or IP address and network number.</p> <ul style="list-style-type: none"> • The additive keyword adds a route target to the existing route target list without replacing any existing route targets.
<p>Step 8 <code>end</code></p> <p>Example:</p> <pre>Router(config-route-map)# end</pre>	<p>(Optional) Exits to privileged EXEC mode.</p>
<p>Step 9 <code>show route-map <i>map-name</i></code></p> <p>Example:</p> <pre>Router# show route-map extmap</pre>	<p>(Optional) Use this command to verify that the match and set entries are correct.</p> <ul style="list-style-type: none"> • The <i>map-name</i> argument is the name of a specific route map.

Applying the Route Target Replacement Policy

Perform the following tasks to apply the route target replacement policy to your internetwork:

- [Associating Route Maps with Specific BGP Neighbors, page 7](#)
- [Refreshing BGP Session to Apply Route Target Replacement Policy, page 9](#)
- [Troubleshooting Tips, page 10](#)

Associating Route Maps with Specific BGP Neighbors

Perform this task to associate route maps with specific BGP neighbors.

SUMMARY STEPS

1. **enable**
2. **configure terminal**
3. **router bgp** *as-number*
4. **neighbor** {*ip-address* | *peer-group-name*} **remote-as** *as-number*
5. **address-family vpv4** [unicast]
6. **neighbor** {*ip-address* | *peer-group-name*} **activate**
7. **neighbor** {*ip-address* | *peer-group-name*} **send-community** [both | extended | standard]
8. **neighbor** {*ip-address* | *peer-group-name*} **route-map** *map-name* {in | out}
9. **end**

DETAILED STEPS

Command or Action	Purpose
Step 1 enable Example: <pre>Router> enable</pre>	Enables privileged EXEC mode. <ul style="list-style-type: none"> • Enter your password if prompted.
Step 2 configure terminal Example: <pre>Router# configure terminal</pre>	Enters global configuration mode.
Step 3 router bgp <i>as-number</i> Example: <pre>Router(config)# router bgp 100</pre>	Configures a BGP routing process and places the router in router configuration mode. <ul style="list-style-type: none"> • The <i>as-number</i> argument indicates the number of an autonomous system that identifies the router to other BGP routers and tags the routing information passed along. Valid numbers are from 0 to 65535. Private autonomous system numbers that can be used in internal networks range from 64512 to 65535.
Step 4 neighbor { <i>ip-address</i> <i>peer-group-name</i> } remote-as <i>as-number</i> Example: <pre>Router(config-router)# neighbor 172.10.0.2 remote-as 200</pre>	Adds an entry to the BGP or multiprotocol BGP neighbor table. <ul style="list-style-type: none"> • The <i>ip-address</i> argument specifies the IP address of the neighbor. • The <i>peer-group-name</i> argument specifies the name of a BGP peer group. • The <i>as-number</i> argument specifies the autonomous system to which the neighbor belongs.

Command or Action	Purpose
<p>Step 5 <code>address-family vpnv4 [unicast]</code></p> <p>Example:</p> <pre>Router(config-router)# address-family vpnv4</pre>	<p>Enters address family configuration mode for configuring routing sessions, such as BGP, that use standard VPNv4 address prefixes.</p> <ul style="list-style-type: none"> The optional unicast keyword specifies VPNv4 unicast address prefixes.
<p>Step 6 <code>neighbor {ip-address peer-group-name} activate</code></p> <p>Example:</p> <pre>Router(config-router-af)# neighbor 172.16.0.2 activate</pre>	<p>Enables the exchange of information with a neighboring BGP router.</p> <ul style="list-style-type: none"> The <i>ip-address</i> argument specifies the IP address of the neighbor. The <i>peer-group-name</i> argument specifies the name of a BGP peer group.
<p>Step 7 <code>neighbor {ip-address peer-group-name} send-community [both extended standard]</code></p> <p>Example:</p> <pre>Router(config-router-af)# neighbor 172.16.0.2 send-community extended</pre>	<p>Specifies that a communities attribute should be sent to a BGP neighbor.</p> <ul style="list-style-type: none"> The <i>ip-address</i> argument specifies the IP address of the BGP-speaking neighbor. The <i>peer-group-name</i> argument specifies the name of a BGP peer group. The both keyword sends standard and extended community attributes. The extended keyword sends an extended community attribute. The standard keyword sends a standard community attribute.
<p>Step 8 <code>neighbor {ip-address peer-group-name} route-map map-name {in out}</code></p> <p>Example:</p> <pre>Router(config-router-af)# neighbor 172.16.0.2 route-map extmap in</pre>	<p>Apply a route map to incoming or outgoing routes</p> <ul style="list-style-type: none"> The <i>ip-address</i> argument specifies the IP address of the neighbor. The <i>peer-group-name</i> argument specifies the name of a BGP or multiprotocol peer group. The <i>map-name</i> argument specifies the name of a route map. The in keyword applies route map to incoming routes. The out keyword applies route map to outgoing routes.
<p>Step 9 <code>end</code></p> <p>Example:</p> <pre>Router(config-router-af)# end</pre>	<p>(Optional) Exits to privileged EXEC mode.</p>

Refreshing BGP Session to Apply Route Target Replacement Policy

Perform this task to refresh the BGP session to apply the RT replacement policy.

After you have defined two routers to be BGP neighbors, the routers form a BGP connection and exchange routing information. If you subsequently change a routing policy, you must reset BGP connections for the configuration change to take effect. After configuring the RT replacement policy and applying it to the target routers in your system, you must refresh the BGP session to put the policy into operation.

SUMMARY STEPS

1. **enable**
2. **clear ip bgp** { * | *neighbor-address* | *peer-group-name* [soft [in | out]] [ipv4 { multicast | unicast } | vpnv4 unicast {soft | {in | out}}]
3. **disable**

DETAILED STEPS

Command or Action	Purpose
Step 1 enable Example: <pre>Router> enable</pre>	Enables privileged EXEC mode. <ul style="list-style-type: none"> • Enter your password if prompted.
Step 2 clear ip bgp { * <i>neighbor-address</i> <i>peer-group-name</i> [soft [in out]] [ipv4 { multicast unicast } vpnv4 unicast {soft {in out}}] Example: <pre>Router# clear ip bgp vpnv4 unicast 172.16.0.2 in</pre>	Resets a BGP connection using BGP soft reconfiguration. <ul style="list-style-type: none"> • The * keyword resets all current BGP sessions. • The <i>neighbor-address</i> argument resets only the identified BGP neighbor. • The <i>peer-group-name</i> argument resets the specified BGP peer group. • The ipv4 keyword resets the specified IPv4 address family neighbor or peer group. The multicast or unicast keyword must be specified. • The vpnv4 keyword resets the specified VPNv4 address family neighbor or peer group. The unicast keyword must be specified. • The soft keyword indicates a soft reset. Does not reset the session. The in or out keywords do not follow the soft keyword when a connection is cleared under the VPNv4 or IPv4 address family because the soft keyword specifies both. • The in and out keywords trigger inbound or outbound soft reconfiguration, respectively. If the in or out keyword is not specified, both inbound and outbound soft reset are triggered.
Step 3 disable Example: <pre>Router# disable</pre>	(Optional) Exits to user EXEC mode.

Troubleshooting Tips

To determine whether a BGP router supports the route refresh capability, use the **show ip bgp neighbors** command. If a router supports the route refresh capability, the following message is displayed:

```
Received route refresh capability from peer.
```

You can issue the **debug ip bgp updates** command on the router where you entered the **clear ip bgp** command to verify that the updates are occurring.

**Note**

Issuing the **debug ip bgp updates** command could impair performance if the router sends or receives a large number of BGP updates.

Verifying the Route Target Replacement Policy

Perform this task to verify the operation of your RT replacement policy.

SUMMARY STEPS

1. **enable**
2. **show ip bgp vpnv4 all** *network-address*
3. **exit**

DETAILED STEPS

Step 1

enable

Use this command to enable privileged EXEC mode. Enter your password if prompted. For example:

Example:

```
Router> enable
Router#
```

Step 2

show ip bgp vpnv4 all *network-address*

Use this command to verify that all VPNv4 prefixes with a specified RT extended community attribute are replaced with the proper RT extended community attribute at the ASBRs or route reflectors and to verify that the PE routers receive the rewritten RT extended community attributes from the ASBRs or route reflectors. The following examples verify route target replacement on ABSR1 and ABSR2.

Verify route target replacement on ABSR1:

Example:

```
Router# show ip bgp vpnv4 all 172.16.17.17
BGP routing table entry for 100:1:172.16.17.17/32, version 6
Paths: (1 available, best #1, no table)
  Advertised to update-groups:
    1
  300
    172.16.11.11 (metric 589) from 172.16.11.11 (172.16.11.11)
      Origin incomplete, metric 0, localpref 100, valid, internal, best
      Extended Community: RT:200:1
```

Verify route target replacement on ABSR2:

Example:

```
Router# show ip bgp vpnv4 all 172.16.17.17
BGP routing table entry for 100:1:172.16.17.17/32, version 6
Paths: (1 available, best #1, no table)
  Advertised to update-groups:
```

```

1
100 300
  192.168.1.1 from 192.168.1.1 (172.16.13.13)
    Origin incomplete, localpref 100, valid, external, best
    Extended Community: RT:100:1

```

The following examples verify route target replacement on PE1 and PE2.

Verify route target on PE1:

Example:

```

Router# show ip bgp vpnv4 all 172.16.17.17
BGP routing table entry for 100:1:172.16.17.17/32, version 13
Paths: (1 available, best #1, table vpn1)
  Advertised to update-groups:
    1
  300
    192.168.2.1 (via vpn1) from 192.168.2.1 (172.16.19.19)
      Origin incomplete, metric 0, localpref 100, valid, external, best
      Extended Community: RT:200:1

```

Verify route target on PE2:

Example:

```

Router# show ip bgp vpnv4 all 172.16.17.17
BGP routing table entry for 100:1:172.16.17.17/32, version 13
Paths: (1 available, best #1, table vpn1)
  Advertised to update-groups:
    3
  100 300
    192.168.1.1 (metric 20) from 172.16.16.16 (172.16.16.16)
      Origin incomplete, localpref 100, valid, internal, best
      Extended Community: RT:100:1

```

Step 3

exit

Use this command to exit to user EXEC mode:

Example:

```

Router# exit
Router>

```

Troubleshooting Your Route Target Replacement Policy

Perform this task to troubleshoot your RT replacement policy.

SUMMARY STEPS

1. **enable**
2. **debug ip bgp updates**
3. **show ip bgp vpnv4 all *network-address***
4. **exit**

DETAILED STEPS

Step 1

enable

Use this command to enable privileged EXEC mode. Enter your password if prompted. For example:

Example:

```
Router> enable
Router#
```

Step 2

debug ip bgp updates

Use the following command to verify that BGP updates are occurring on the ASBR. The ASBR in this example has the IP address 172.16.16.16.

Example:

```
Router# debug ip bgp updates
BGP(2): no valid path for 100:1:172.16.20.20/32
BGP(2): no valid path for 100:1:10.0.0.0/8
%BGP-5-ADJCHANGE: neighbor 172.16.16.16 Down User reset
BGP(2): nettable_walker 100:1:172.16.20.20/32 no RIB
BGP(2): nettable_walker 100:1:192.168.3.0/8 no RIB
BGP(2): 172.16.11.11 computing updates, afi 2, neighbor version 13,
table version 15, starting at 0.0.0.0
BGP(2): 172.16.11.11 send unreachable 100:1:172.16.20.20/32
BGP(2): 172.16.11.11 send UPDATE 100:1:172.16.20.20/32 -- unreachable
BGP(2): 172.16.11.11 send UPDATE 100:1:192.168.3.0/8 -- unreachable
BGP(2): 1 updates (average = 58, maximum = 58)
BGP(2): 172.16.11.11 updates replicated for neighbors: 172.16.11.11
BGP(2): 172.16.11.11 update run completed, afi 2, ran for 0ms,
neighbor version 15, start version 15, throttled to 15
BGP: Import walker start version 13, end version 15
BGP: ... start import cfg version = 30
%BGP-5-ADJCHANGE: neighbor 172.16.16.16 Up
BGP(2): 172.16.16.16 computing updates, afi 2, neighbor version 0,
table version 15, starting at 0.0.0.0
BGP(2): 172.16.16.16 send UPDATE (format) 100:1:172.16.0.0/16,
next 172.16.11.11, metric 0, path 300, extended community RT:2:2
RT:7777:2222222222 RT:20000:111 RT:65535:9999999999
BGP(2): 172.16.16.16 send UPDATE (prepend, chgflags: 0x0)
100:1:172.16.19.19/32, next 172.16.11.11, metric 0, path 300,
extended community RT:2:2 RT:7777:2222222222 RT:20000:111
RT:65535:9999999999
BGP(2): 172.16.16.16 send UPDATE (format) 100:1:192.168.2.0/8,
next 172.16.11.11, metric 0, path , extended community
RT:2:2 RT:7777:2222222222 RT:20000:111 RT:65535:9999999999
BGP(2): 2 updates (average = 111, maximum = 121)
BGP(2): 172.16.16.16 updates replicated for neighbors: 172.16.16.16
BGP(2): 172.16.16.16 update run completed, afi 2, ran for 0ms,
neighbor version 15, start version 15, throttled to 15
BGP(2): 172.16.16.16 rcvd UPDATE w/ attr: nexthop 172.16.15.15,
origin ?, path 200, extended community RT:100:1
BGP(2): 172.16.16.16 rcvd 100:1:192.168.3.0/8
BGP(2): 172.16.16.16 rcvd UPDATE w/ attr: nexthop 172.16.15.15,
origin ?, path 200 400, extended community RT:100:1
BGP(2): 172.16.16.16 rcvd 100:1:172.16.0.0/16
BGP(2): 172.16.16.16 rcvd 100:1:172.16.20.20/32
BGP(2): nettable_walker 100:1:172.16.20.20/32 no RIB
BGP(2): nettable_walker 100:1:192.168.3.0/8 no RIB
BGP: Import walker start version 15, end version 17
BGP: ... start import cfg version = 30
BGP(2): 172.16.11.11 computing updates, afi 2,
neighbor version 15, table version 17,
starting at 0.0.0.0
```

```

BGP(2): 172.16.11.11 NEXT_HOP part 1 net 100:1:172.16.20.20/32,
next 172.16.15.15
BGP(2): 172.16.11.11 send UPDATE (format) 100:1:172.16.20.20/32,
next 172.16.15.15,metric 0, path 200 400, extended community
RT:1:1 RT:10000:111 RT:33333:888888888
RT:65535:999999999
BGP(2): 172.16.11.11 NEXT_HOP part 1 net 100:1:10.0.0.0/8,
next 172.16.15.15
BGP(2): 172.16.11.11 send UPDATE (format) 100:1:192.168.3.0/8,
next 172.16.15.15, metric 0, path 200, extended community
RT:1:1 RT:10000:111 RT:33333:888888888 RT:65535:999999999
BGP(2): 2 updates (average = 118, maximum = 121)
BGP(2): 172.16.11.11 updates replicated for neighbors: 172.16.11.11
BGP(2): 172.16.11.11 update run completed, afi 2, ran for 0ms,
neighbor version 17, start version 17, throttled to 17

```

You can also reset the BGP connection using the **clear ip bgp *** command and enter the **debug ip bgp updates** command again to verify that BGP updates are occurring as shown in the output after the **clear ip bgp** command is entered.

Step 3 **show ip bgp vpnv4 all network-address**

Use this command to verify that RT extended community attributes are replaced correctly. For example:

Example:

```

Router# show ip bgp vpnv4 all 172.16.17.17
BGP routing table entry for 100:1:172.16.17.17/32, version 6
Paths: (1 available, best #1, no table)
  Advertised to update-groups:
    1
  100 300
    192.168.1.1 from 192.168.1.1 (172.16.13.13)
      Origin incomplete, localpref 100, valid, external, best
      Extended Community: RT:100:1

```

This example shows VPN address information from the BGP table and verifies that RT extended community attributes are replaced correctly.

Step 4 **exit**

Use this command to exit to user EXEC mode:

Example:

```

Router# exit
Router>

```

Configuration Examples for MPLS VPN--Route Target Rewrite

- [Configuring Route Target Replacement Policies Examples, page 14](#)
- [Applying Route Target Replacement Policies Examples, page 15](#)

Configuring Route Target Replacement Policies Examples

This example shows the RT replacement configuration of an ASBR (ASBR1) that exchanges VPNv4 prefixes with another ASBR (ASBR2). The route map extmap is configured to replace RTs on inbound

updates. Any incoming update with RT 100:3 is replaced with RT 200:3. Any other prefixes with an RT whose autonomous system number is 100 is rewritten to RT 200:4.

```
!
ip extcommunity-list 1 permit rt 100:3
ip extcommunity-list 101 permit RT:100:*
!
route-map extmap permit 10
match extcommunity 1
set extcomm-list 1 delete
set extcommunity rt 200:3 additive
!
route-map regexp permit 10
match extcommunity 101
set extcomm-list 101 delete
set extcommunity rt 200:4 additive
!
route-map regexp permit 20
```

This example shows the use of the route-map configuration **continue** command when you need to apply more than one replacement rule on an update. In this example, an incoming update with RT 100:3 is replaced with RT 200:3. Without the **continue 20** command, route-map evaluation would stop when a match on sequence 10 is made. With the **continue 20** command, route-map evaluation continues into sequence 20 even if a match occurs in sequence 10. If the incoming update has an RT 100:4, the router replaces it with RT 200:4.

```
!
ip extcommunity-list 1 permit rt 100:3
ip extcommunity-list 2 permit rt 100:4
!
route-map extmap permit 10
match extcommunity 1
set extcomm-list 1 delete
set extcommunity rt 200:3 additive
continue 20
!
route-map extmap permit 20
match extcommunity 2
set extcomm-list 2 delete
set extcommunity rt 200:4 additive
!
route-map extmap permit 30
```

**Note**

The route-map configuration **continue** command is not supported on outbound route maps.

Applying Route Target Replacement Policies Examples

This section contains the following examples:

- [Associating Route Maps with Specific BGP Neighbor Example, page 15](#)
- [Refreshing the BGP Session to Apply the Route Target Replacement Policy Example, page 16](#)

Associating Route Maps with Specific BGP Neighbor Example

This example shows the association of route map extmap with a BGP neighbor. The BGP inbound route map is configured to replace RTs on incoming updates.

```
router bgp 100
.
```

```

.
.
neighbor 172.16.0.2 remote-as 100
.
.
!
address family vpv4
neighbor 172.16.0.2 activate
neighbor 172.16.0.2 send-community extended
neighbor 172.16.0.2 route-map extmap in

```

This example shows the association of the same route map with the outbound BGP neighbor. The route map is configured to replace RTs on outgoing updates.

```

router bgp 100
.
.
neighbor 172.16.0.2 remote-as 100
.
.
!
address family vpv4
neighbor 172.16.0.2 activate
neighbor 172.16.0.2 send-community extended
neighbor 172.16.0.2 route-map extmap out

```

Refreshing the BGP Session to Apply the Route Target Replacement Policy Example

The following example shows the **clear ip bgp** command used to initiate a dynamic reconfiguration in the BGP peer 172.16.0.2. This command requires that the peer supports the route refresh capability.

```
Router# clear ip bgp 172.16.0.2 vpv4 unicast in
```

Additional References

Related Documents

Related Topic	Document Title
MPLS, MPLS VPN, and MPLS VPN interautonomous systems configuration tasks	<i>MPLS Layer 3 Inter-AS and CSC Configuration Guide</i>
Commands to configure MPLS and MPLS VPNs	<i>Cisco IOS Multiprotocol Label Switching Command Reference</i>
BGP configuration tasks	<i>IP Routing Protocols Configuration Guide</i>
Commands to configure and monitor BGP	<i>Cisco IOS IP Routing Protocols Command Reference</i>

Standards

Standards	Title
No new or modified standards are supported by this feature, and support for existing standards has not been modified by this feature.	--

MIBs

MIBs	MIBs Link
No new or modified MIBs are supported by this feature, and support for existing MIBs has not been modified by this feature.	To locate and download MIBs for selected platforms, Cisco software releases, and feature sets, use Cisco MIB Locator found at the following URL: http://www.cisco.com/go/mibs

RFCs

RFCs	Title
No new or modified RFCs are supported by this feature, and support for existing RFCs has not been modified by this feature.	--

Technical Assistance

Description	Link
The Cisco Support website provides extensive online resources, including documentation and tools for troubleshooting and resolving technical issues with Cisco products and technologies. To receive security and technical information about your products, you can subscribe to various services, such as the Product Alert Tool (accessed from Field Notices), the Cisco Technical Services Newsletter, and Really Simple Syndication (RSS) Feeds. Access to most tools on the Cisco Support website requires a Cisco.com user ID and password.	http://www.cisco.com/techsupport

Feature Information for MPLS VPN--Route Target Rewrite

The following table provides release information about the feature or features described in this module. This table lists only the software release that introduced support for a given feature in a given software release train. Unless noted otherwise, subsequent releases of that software release train also support that feature.

Use Cisco Feature Navigator to find information about platform support and Cisco software image support. To access Cisco Feature Navigator, go to www.cisco.com/go/cfn. An account on Cisco.com is not required.

Table 1 *Feature Information for MPLS VPN--Route Target Rewrite*

Feature Name	Releases	Feature Information
MPLS VPN--Route Target Rewrite	12.0(26)S 12.2(25)S 12.2(33)SRA 12.2(33)SXH 12.4(20)T	<p>The MPLS VPN--Route Target Rewrite feature allows the replacement of route targets on incoming and outgoing Border Gateway Protocol (BGP) updates. Typically, Autonomous System Border Routers (ASBRs) perform the replacement of route targets at autonomous system boundaries. Route Reflectors (RRs) and provider edge (PE) routers can also perform route target replacement.</p> <p>The main advantage of the MPLS VPN--Route Target Rewrite feature is that it keeps the administration of routing policy local to the autonomous system.</p> <p>In 12.0(26)S, this feature was introduced for the Cisco 7200, 7500, and 12000 series routers.</p> <p>In 12.2(25)S, this feature was integrated into a Cisco IOS 12.2S release to support the Cisco 7500 series router.</p> <p>In 12.2(33)SRA, this feature was integrated into a Cisco IOS 12.2SRA release.</p> <p>In 12.2(33)SXH, this feature was integrated into a Cisco IOS 12.2SXH release.</p> <p>In 12.4(20)T, this feature was integrated into a Cisco IOS 12.4T release.</p> <p>The following command was modified: set extcomm-list delete.</p>

autonomous system --A collection of networks that share the same routing protocol and that are under the same system administration.

ASBR --autonomous system border router. A router that connects and exchanges information between two or more autonomous systems.

BGP --Border Gateway Protocol. The exterior border gateway protocol used to exchange routing information between routers in separate autonomous systems. BGP uses Transmission Control Protocol (TCP). Because TCP is a reliable protocol, BGP does not experience problems with dropped or fragmented data packets.

CE router --customer edge router. The customer router that connects to the provider edge (PE) router.

EBGP --External Border Gateway Protocol. A BGP session between routers in different autonomous systems. When a pair of routers in different autonomous systems are more than one IP hop away from each other, an EBGP session between those two routers is called multihop EBGP.

IBGP --Internal Border Gateway Protocol. A BGP session between routers within the same autonomous system.

IGP --Interior Gateway Protocol. Internet protocol used to exchange routing information within an autonomous system. Examples of common Internet IGPs include Internal Gateway Routing Protocol (IGRP), Open Shortest Path First (OSPF), and Routing Information Protocol (RIP).

LDP --Label Distribution Protocol. A standard protocol between MPLS-enabled routers to negotiate the labels (addresses) used to forward packets. The Cisco proprietary version of this protocol is the Tag Distribution Protocol (TDP).

LER --label edge router. The edge router that performs label imposition and disposition.

LSR --label switch router. The role of an LSR is to forward packets in an MPLS network by looking only at the fixed-length label.

MPLS --Multiprotocol Label Switching. A switching method that forwards IP traffic using a label. This label instructs the routers and the switches in the network where to forward the packets based on preestablished IP routing information.

NLRI --Network Layer Reachability Information. BGP sends routing update messages containing NLRI, which describes the route. In this context, an NLRI is a prefix. A BGP update message carries one or more NLRI prefixes and the attributes of a route for the NLRI prefixes. The route attributes include a BGP next-hop gateway address, community values, and other information.

P router --provider router. The core router in the service provider network that connects to provider edge (PE) routers. In a packet-switched star topology, a router that is part of the backbone and that serves as the single pipe through which all traffic from peripheral networks must pass on its way to other peripheral networks.

PE router --provider edge router. The label edge router (LER) in the service provider network that connects to the customer edge (CE) router.

RD --route distinguisher. An 8-byte value that is concatenated with an IPv4 prefix to create a unique VPN IPv4 (VPNv4) prefix.

RR --route reflector. A router that advertises, or reflects, IBGP learned routes to other IBGP peers without requiring a full network mesh.

RT --route target. Extended community attribute used to identify the VRF routing table into which a prefix is to be imported.

VPN --Virtual Private Network. A group of sites that, as a result of a set of administrative policies, can communicate with each other over a shared backbone.

VPNv4 prefix --IPv4 prefix preceded by an 8-byte route distinguisher. The VPN addresses are made unique by adding a route distinguisher to the front of the address.

VRF --VPN routing and forwarding instance. A VRF consists of an IP routing table, a derived forwarding table, a set of interfaces that use the forwarding table, and a set of rules and routing protocols that determine what goes into the forwarding table. In general, a VRF includes the routing information that defines a customer VPN site that is attached to a provider edge (PE) router.

Cisco and the Cisco logo are trademarks or registered trademarks of Cisco and/or its affiliates in the U.S. and other countries. To view a list of Cisco trademarks, go to this URL: www.cisco.com/go/trademarks. Third-party trademarks mentioned are the property of their respective owners. The use of the word partner does not imply a partnership relationship between Cisco and any other company. (1110R)

Any Internet Protocol (IP) addresses and phone numbers used in this document are not intended to be actual addresses and phone numbers. Any examples, command display output, network topology diagrams, and other figures included in the document are shown for illustrative purposes only. Any use of actual IP addresses or phone numbers in illustrative content is unintentional and coincidental.

© 2011 Cisco Systems, Inc. All rights reserved.