



Multichassis LACP

In Carrier Ethernet networks, various redundancy mechanisms provide resilient interconnection of nodes and networks. The choice of redundancy mechanisms depends on various factors such as transport technology, topology, single node versus entire network multihoming, capability of devices, autonomous system (AS) boundaries or service provider operations model, and service provider preferences.

Carrier Ethernet network high-availability can be achieved by employing both intra- and interchassis redundancy mechanisms. Cisco's Multichassis EtherChannel (MCEC) solution addresses the need for interchassis redundancy mechanisms, where a carrier wants to “dual home” a device to two upstream points of attachment (PoAs) for redundancy. Some carriers either cannot or will not run loop prevention control protocols in their access networks, making an alternative redundancy scheme necessary. MCEC addresses this issue with enhancements to the 802.3ad Link Aggregation Control Protocol (LACP) implementation. These enhancements are provided in the Multichassis LACP (mLACP) feature described in this document.

- [Finding Feature Information, on page 1](#)
- [Prerequisites for mLACP, on page 2](#)
- [Restrictions for mLACP, on page 2](#)
- [Information About mLACP, on page 3](#)
- [How to Configure mLACP, on page 16](#)
- [Configuration Examples for mLACP, on page 46](#)
- [Additional References, on page 63](#)
- [Feature Information for mLACP, on page 64](#)
- [Glossary, on page 64](#)

Finding Feature Information

Your software release may not support all the features documented in this module. For the latest caveats and feature information, see [Bug Search Tool](#) and the release notes for your platform and software release. To find information about the features documented in this module, and to see a list of the releases in which each feature is supported, see the feature information table.

Use Cisco Feature Navigator to find information about platform support and Cisco software image support. To access Cisco Feature Navigator, go to www.cisco.com/go/cfn. An account on Cisco.com is not required.

Prerequisites for mLACP

- The command **lACP max-bundle** must be used on all PoAs in order to operate in PoA control and shared control modes.
 - The maximum number of links configured cannot be less than the total number of interfaces in the link aggregation group (LAG) that is connected to the PoA.
 - Each PoA may be connected to a dual-homed device (DHD) with a different number of links for the LAG (configured with a different number of maximum links).
- Each PoA must be configured using the **lACP min-bundle** command with the desired minimum number of links to maintain the LAG in the active state.
- For DHD control there must be an equal number of links going to each PoA.
- The max-bundle value must equal the number of active links connected locally to the PoA (no local intra-PoA active or standby protection).
- LACP fast switchover must be configured on all devices to speed convergence.

Restrictions for mLACP

- mLACP does not support Fast Ethernet.
- mLACP does not support half-duplex links.
- mLACP does not support multiple neighbors.
- Converting a port channel to mLACP can cause a service disruption.
- The maximum number of member links per LAG per PoA is restricted by the maximum number of ports per port channel, as limited by the platform.
- System priority on a DHD must be a lesser priority than on PoAs.
- MAC Tunneling Protocol (MTP) supports only one member link in a port channel.
- A port-channel or its member links may flap while LACP stabilizes.
- DHD-based control does not function when min-links is not configured.
- DHD-controlled revertive behavior with min-links is not supported.
- Brute-force failover always causes min-link failures.
- Any failure with brute-force failover behaves revertively.

The following restrictions are applicable on the Cisco Aggregation Services ASR 1000 Series Routers:

- The Virtual Private LAN Services (VPLS)-Coupled mode is not supported.
- Hierarchical VPLS (H-VPLS) is not supported.

The following restrictions are applicable on the Cisco 903 Series Aggregation Services Routers:

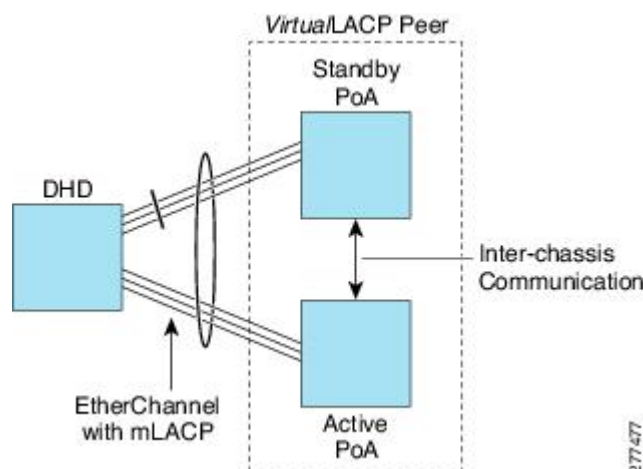
- The maximum number of member links per Link Access Group (LAG) per points of attachment (PoA) is restricted by the maximum number of ports per port channel, as limited by the platform.
- The `lacp max-bundle max-links` command must be used on all the PoAs in order to operate in PoA control and shared control modes.
 - The value of the `max-links` variable must not be less than the total number of interfaces in the LAG, which are connected to the PoA.
 - Each PoA may be connected to the dual-homed device (DHD) with a different number of links for the LAG (and hence configured with a different value for the `max-links` value) variable.
- The `lacp min-bundle min-links` command has local scope only. Each PoA needs to be configured with the required minimum number of links to maintain the LAG in active state.
- When implementing the Virtual Private LAN Services (VPLS), the pseudowire states are decoupled from the attachment circuit (AC) status by default. The mLACP access state is not relayed on the VPLS pseudowires and the pseudowire continues to operate only in the decoupled mode. Coupled mode is not supported.
- mLACP and Pseudo-mLACP (P-mLACP) feature interoperability between the Cisco 7600 Series Routers and the Cisco 903 Series Aggregation Services Routers is not supported when the former is used as one PoA and the Cisco ASR 903 as another PoA in the same redundancy group.
- mLACP for Layer 2 Virtual Private Network (L2VPN) is supported only with the new protocol based CLIs.
- MAC Tunneling Protocol (MTP) is not supported.
- The following commands are not supported:
 - `ethernet mac-flush notification mirp`
 - `show ethernet service instance id mac-tunnel`
 - `errdisable recovery cause mlacp`

Information About mLACP

Overview of Multichassis EtherChannel

In Multichassis EtherChannel (MCEC), the DHD is dual-homed to two upstream PoAs. The DHD is incapable of running any loop prevention control protocol such as Multiple Spanning Tree (MST). Therefore, another mechanism is required to prevent forwarding loops over the redundant setup. One method is to place the DHD's uplinks in a LAG, commonly referred to as EtherChannel. This method assumes that the DHD is capable of running only IEEE 802.3ad LACP for establishing and maintaining the LAG.

LACP, as defined in IEEE 802.3ad, is a link-level control protocol that allows the dynamic negotiation and establishment of LAGs. An extension of the LACP implementation to PoAs is required to convey to a DHD that it is connected to a single virtual LACP peer and not to two disjointed devices. This extension is called Multichassis LACP or mLACP. The figure below shows this setup.



The PoAs forming a virtual LACP peer, from the perspective of the DHD, are defined as members of a redundancy group. For the PoAs in a redundancy group to appear as a single device to the DHD, the states between them must be synchronized through the Interchassis Communication Protocol (ICCP), which provides a control-only interchassis communication channel (ICC).

In Cisco IOS Release 12.2(33)SRE, the system functions in active/standby redundancy mode. In this mode DHD uplinks that connect to only a single PoA can be active at any time. The DHD recognizes one PoA as active and the other as standby but does not preclude a given PoA from being active for one DHD and standby for another. This capability allows two PoAs to perform load sharing for different services.

Interactions with the MPLS Pseudowire Redundancy Mechanism

The network setup shown in the figure above can be used to provide provider edge (PE) node redundancy for Virtual Private LAN Service (VPLS) and Virtual Private Wire Service (VPWS) deployments over Multiprotocol Label Switching (MPLS). In these deployments, the uplinks of the PoAs host the MPLS pseudowires that provide redundant connectivity over the core to remote PE nodes. Proper operation of the network requires interaction between the redundancy mechanisms employed on the attachment circuits (for example, mLACP) and those employed on the MPLS pseudowires. This interaction ensures the state (active or standby) is synchronized between the attachment circuits and pseudowires for a given PoA.

RFC 4447 introduced a mechanism to signal pseudowire status via the Link Distribution Protocol (LDP) and defined a set of status codes to report attachment circuit as well as pseudowire fault information. The Preferential Forwarding Status bit (*draft-ietf-pwe3-redundancy-bit*) definition proposes to extend these codes to include two bits for pseudowire redundancy applications:

- Preferential forwarding status: active or standby
- Request pseudowire switchover

The draft also proposes two modes of operation:

- Independent mode--The local PE decides on its pseudowire status independent of the remote PE.
- Primary and secondary modes--One of the PEs determines the state of the remote side through a handshake mechanism.

For the mLACP feature, operation is based on the independent mode. By running ICC between the PoAs, only the preferential forwarding status bit is required; the request pseudowire switchover bit is not used.

The local pseudowire status (active or standby) is determined independently by the PoAs in a redundancy group and then relayed to the remote PEs in the form of a notification. Similarly, the remote PEs perform their own selection of their pseudowire status and notify the PoAs on the other side of the core.

After this exchange of local states, the pseudowires used for traffic forwarding are those selected to be active independently on both local and remote ends.

The attachment circuit redundancy mechanism determines and controls the pseudowire redundancy mechanism. mLACP determines the status of the attachment circuit on a given PoA according to the configured LACP system and port priorities, and then the status of the pseudowires on a given PoA is synchronized with that of the local attachment circuits. This synchronization guarantees that the PoA with the active attachment circuits has its pseudowires active. Similarly, the PoA with the standby attachment circuits has its pseudowires in standby mode. By ensuring that the forwarding status of the attachment circuits is synchronized with that of the pseudowires, the need to forward data between PoA nodes within a redundancy group can be avoided. This synchronization saves platform bandwidth that would otherwise be wasted on inter-PoA data forwarding in case of failures.

Redundancy Mechanism Processes

The Carrier Ethernet redundancy solution should include the following processes (and how they apply to the mLACP solution):

- Attachment circuit active or standby status selection--This selection can be performed by the access node or network, the aggregation node, or combination of the two. For mLACP, the attachment circuit status selection is determined through collaboration between the DHD and the PoAs.
- Pseudowire forwarding status notification--This notification is mandatory for mLACP operation in VPWS and VPLS deployments; that is, when the PoA uplinks employ pseudowire technology. When the PoAs decide on either an active or standby role, they need to signal the status of the associated pseudowires to the PEs on the far end of the network. For MPLS pseudowires, this is done using LDP.
- MAC flushing indication--This indication is mandatory for any redundancy mechanism in order to speed convergence time and eliminate potential traffic blackholing. The mLACP redundancy mechanism should be integrated with relevant 802.1Q/802.1ad/802.1ah MAC flushing mechanisms as well as MAC flushing mechanisms for VPLS.

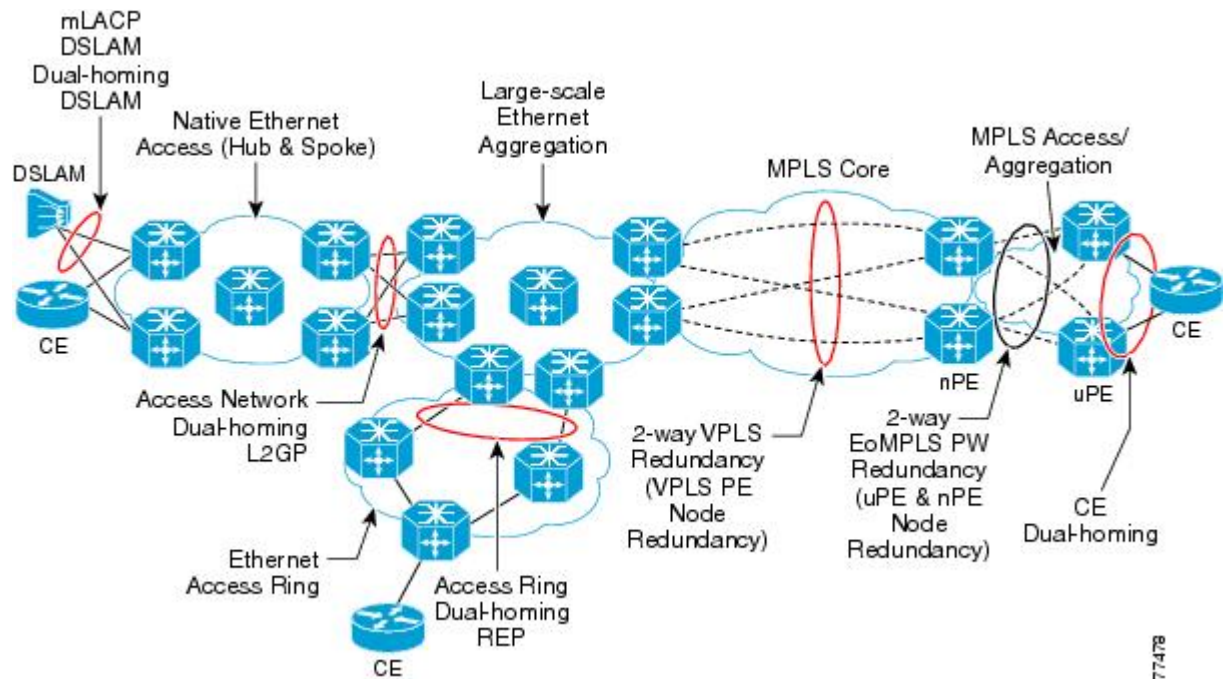


Note

Blackholing occurs when incoming traffic is dropped without informing the source that the data did not reach its intended recipient. A black hole can be detected only when lost traffic is monitored.

-
- Active VLAN notification--For mLACP, this notification is not required as long as the PoAs follow the active/standby redundancy model.

The figure below shows redundancy mechanisms in Carrier Ethernet networks.



277478

Dual-Homed Topology Using mLACP

The mLACP feature allows the LACP state machine and protocol to operate in a dual-homed topology. The mLACP feature decouples the existing LACP implementation from the multichassis specific requirements, allowing LACP to maintain its adherence to the IEEE 802.3ad standard. The mLACP feature exposes a single virtual instance of IEEE 802.3ad to the DHD for each redundancy group. The virtual LACP instance interoperates with the DHD according to the IEEE 802.3ad standard to form LAGs spanning two or more chassis.

LACP and 802.3ad Parameter Exchange

In IEEE 802.3ad, the concatenation of the LACP system MAC address and system priority form an LACP system ID (8 bytes). The system ID is formed by taking the two-byte system priority value as the most significant two octets of the system ID. The system MAC address makes up the remainder of the system ID (octets 3 to 8). System ID priority comparisons are based on the lower numerically valued ID.

To provide the highest LACP priority, the mLACP module communicates the system MAC address and priority values for the given redundancy group to its redundancy group peer(s) and vice versa. The mLACP then chooses the lowest system ID value among the PoAs in the given redundancy group to use as the system ID of the virtual LACP instance of the redundancy group.

Cisco IOS Release 12.2(33)SRE introduces two LACP configuration commands to specify the system MAC address and system priority used for a given redundancy group: **mlacp system-mac mac-address** and **mlacp system-priority priority-value**. These commands provide better settings to determine which side of the attachment circuit will control the selection logic of the LAG. The default value for the system MAC address is the chassis backplane default MAC address. The default value for the priority is 32768.

Port Identifier

IEEE 802.3ad uses a 4-byte port identifier to uniquely identify a port within a system. The port identifier is the concatenation of the port priority and port number (unique per system) and identifies each port in the system. Numerical comparisons between port IDs are performed by unsigned integer comparisons where the 2-byte Port Priority field is placed in the most significant two octets of the port ID. The 2-byte port number makes up the third and fourth octets. The mLACP feature coordinates the port IDs for a given redundancy group to ensure uniqueness.

Port Number

A port number serves as a unique identifier for a port within a device. The LACP port number for a port is equal to the port's ifIndex value (or is based on the slot and subslot identifiers on the Cisco 7600 router).

LACP relies on port numbers to detect rewiring. For multichassis operation, you must enter the **mlacp node-id node-id** command to coordinate port numbers between the two PoAs in order to prevent overlap.

Port Priority

Port priority is used by the LACP selection logic to determine which ports should be activated and which should be left in standby mode when there are hardware or software limitations on the maximum number of links allowed in a LAG. For multichassis operation in active/standby redundancy mode, the port priorities for all links connecting to the active PoA must be higher than the port priorities for links connecting to the standby PoA. These port priorities can either be guaranteed through explicit configuration or the system can automatically adjust the port priorities depending on selection criteria. For example, select the PoA with the highest port priority to be the active PoA and dynamically adjust the priorities of all other links with the same port key to an equal value.

In Cisco IOS Release 12.2(33)SRE, the mLACP feature supports only the active/standby redundancy model. The LACP port priorities of the individual member links should be the same for each link belonging to the LAG of a given PoA. To support this requirement, the **mlacp lag-priority** command is implemented in interface configuration mode in the command-line interface (CLI). This command sets the LACP port priorities for all the local member links in the LAG. Individual member link LACP priorities (configured by the **lacp port-priority** command) are ignored on links belonging to mLACP port channels.

The **mlacp lag-priority** command may also be used to force a PoA failover during operation in the following two ways:

- Set the active PoA's LAG priority to a value greater than the LAG priority on the standby PoA. This setting results in the quickest failover because it requires the fewest LACP link state transitions on the standby links before they turn active.
- Set the standby PoA's LAG priority to a value numerically less than the LAG priority on the active PoA. This setting results in a slightly longer failover time because standby links have to signal OUT_OF_SYNC to the DHD before the links can be brought up and go active.

In some cases, the operational priority and the configured priority may differ when using dynamic port priority management to force failovers. In this case, the configured version will not be changed unless the port channel is operating in nonrevertive mode. Enter the **show lacp multichassis port-channel** command to view the current operational priorities. The configured priority values can be displayed by using the **show running-config** command.

Multichassis Considerations

Because LACP is a link layer protocol, all messages exchanged over a link contain information that is specific and local to that link. The exchanged information includes:

- System attributes--priority and MAC address
- Link attributes--port key, priority, port number, and state

When extending LACP to operate over a multichassis setup, synchronization of the protocol attributes and states between the two chassis is required.

System MAC Address

LACP relies on the system MAC address to determine the identity of the remote device connected over a particular link. Therefore, to mask the DHD from its connection to two disjointed devices, coordination of the system MAC address between the two PoAs is essential. In Cisco IOS software, the LACP system MAC address defaults to the ROM backplane base MAC address and cannot be changed by configuration. For multichassis operation the following two conditions are required:

- System MAC address for each PoA should be communicated to its peer--For example, the PoAs elect the MAC address with the lower numeric value to be the system MAC address. The arbitration scheme must resolve to the same value. Choosing the lower numeric MAC address has the advantage of providing higher system priority.
- System MAC address is configurable--The system priority depends, in part, on the MAC address, and a service provider would want to guarantee that the PoAs have higher priority than the DHD (for example, if both DHD and PoA are configured with the same system priority and the service provider has no control over DHD). A higher priority guarantees that the PoA port priorities take precedence over the DHD's port priority configuration. If you configure the system MAC address, you must ensure that the addresses are uniform on both PoAs; otherwise, the system will automatically arbitrate the discrepancy, as when a default MAC address is selected.

System Priority

LACP requires that a system priority be associated with every device to determine which peer's port priorities should be used by the selection logic when establishing a LAG. In Cisco IOS software, this parameter is configurable through the CLI. For multichassis operation, this parameter is coordinated by the PoAs so that the same value is advertised to the DHD.

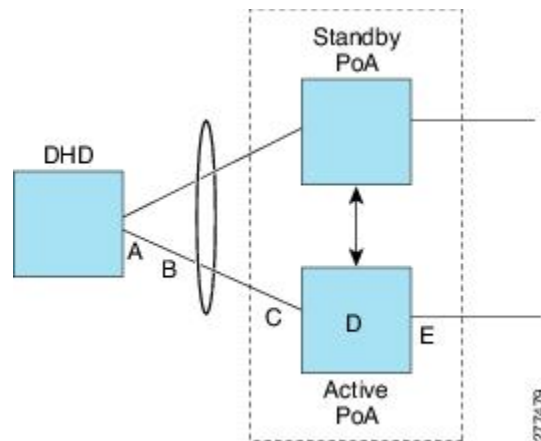
Port Key

The port key indicates which links can form a LAG on a given system. The key is locally significant to an LACP system and need not match the key on an LACP peer. Two links are candidates to join the same LAG if they have the same key on the DHD and the same key on the PoAs; however, the key on the DHD is not required to be the same as the key on the PoAs. Given that the key is configured according to the need to aggregate ports, there are no special considerations for this parameter for multichassis operation.

Failure Protection Scenarios

The mLACP feature provides network resiliency by protecting against port, link, and node failures. These failures can be categorized into five types. The figure below shows the failure points in a network, denoted by the letters A through E.

- A--Failure of the uplink port on the DHD
- B--Failure of the Ethernet link
- C--Failure of the downlink port on the active PoA
- D--Failure of the active PoA node
- E--Failure of the active PoA uplinks



When any of these faults occur, the system reacts by triggering a switchover from the active PoA to the standby PoA. The switchover involves failing over the PoA's uplinks and downlinks simultaneously.

Failure points A and C are port failures. Failure point B is an Ethernet link failure and failure point D is a node failure. Failure point E can represent one of four different types of uplink failures when the PoAs connect to an MPLS network:

- Pseudowire failure--Monitoring individual pseudowires (for example, using VCCV-BFD) and, upon a pseudowire failure, declare uplink failure for the associated service instances.
- Remote PE IP path failure--Monitoring the IP reachability to the remote PE (for example, using IP Route-Watch) and, upon route failure, declare uplink failure for all associated service instances.
- LSP failure--Monitoring the LSP to a given remote PE (for example, using automated LSP-Ping) and, upon LSP failure, declare uplink failure for all associated service instances.
- PE isolation--Monitoring the physical core-facing interfaces of the PE. When all of these interfaces go down, the PE effectively becomes isolated from the core network, and the uplink failure is declared for all affected service instances.

As long as the IP/MPLS network employs native redundancy and resiliency mechanisms such as MPLS fast reroute (FRR), the mLACP solution is sufficient for providing protection against PE isolation. Pseudowire, LSP, and IP path failures are managed by the native IP/MPLS protection procedures. That is, interchassis failover via mLACP is triggered only when a PE is completely isolated from the core network, because native IP/MPLS protection mechanisms are rendered useless. Therefore, failure point E is used to denote PE isolation from the core network.



Note The set of core-facing interfaces that should be monitored are identified by explicit configuration. The set of core-facing interfaces must be defined independently per redundancy group. Failure point E (unlike failure point A, B, or C) affects and triggers failover for all the multichassis LAGs configured on a given PoA.

Operational Variants

LACP provides a mechanism by which a set of one or more links within a LAG are placed in standby mode to provide link redundancy between the devices. This redundancy is normally achieved by configuring more ports with the same key than the number of links a device can aggregate in a given LAG (due to hardware or software restrictions, or due to configuration). For example, for active/standby redundancy, two ports are configured with the same port key, and the maximum number of allowed links in a LAG is configured to be 1. If the DHD and PoAs are all capable of restricting the number of links per LAG by configuration, three operational variants are possible.

DHD-based Control

The value of PoAs must be greater than the value of DHD. In DHD-based control, maximum number of links per bundle should be one. The PoAs must be configured to limit the maximum number of links per bundle to be greater than one. Thus, the selection of the active/standby link is the responsibility of the DHD. Which link is designated active and which is marked standby depends on the relative port priority, as configured on the system with the higher system priority. A PoA configured with a higher system priority can still determine the selection outcome. The DHD makes the selection and places the link with lower port priority in standby mode.

To accommodate DHD-controlled failover, the DHD must be configured with the max-bundle value equal to a number of links (L), where L is the fewest number of links connecting the DHD to a PoA. The max-bundle value restricts the DHD from bundling links to both PoAs at the same time (active/active). Although the DHD controls the selection of active/standby links, the PoA can still dictate the individual member link priorities by configuring the PoA's virtual LACP instance with a lower system priority value than the DHD's system priority.

The DHD control variant must be used with a PoA minimum link threshold failure policy where the threshold is set to L (same value for L as described above). A minimum link threshold must be configured on each of the PoAs because an A, B, or C link failure that does not trigger a failover (minimum link threshold is still satisfied) causes the DHD to add one of the standby links going to the standby PoA to the bundle. This added link results in the unsupported active/active scenario.



Note DHD control does not use the mLACP hot-standby state on the standby PoA, which results in higher failover times than the other variants.

DHD control eliminates the split brain problem on the attachment circuit side by limiting the DHD's attempts to bundle all the links.

PoA Control

In PoA control, the PoA is configured to limit the maximum number of links per bundle to be equal to the number of links (L) going to the PoA. The DHD is configured with that parameter set to some value greater than L. Thus, the selection of the active/standby links becomes the responsibility of the PoA.

Shared Control (PoA and DHD)

In shared control, both the DHD and the PoA are configured to limit the maximum number of links per bundle to L--the number of links going to the PoA. In this configuration, each device independently selects the active/standby link. Shared control is advantageous in that it limits the split-brain problem in the same manner as DHD control, and shared control is not susceptible to the active/active tendencies that are prevalent in DHD control. A disadvantage of shared control is that the failover time is determined by both the DHD and the PoA, each changing the standby links to SELECTED and waiting for each of the WAIT_WHILE_TIMERS to expire before moving the links to IN_SYNC. The independent determination of failover time and change of link states means that both the DHD and PoAs need to support the LACP fast-switchover feature in order to provide a failover time of less than one second.

mLACP Failover

The mLACP forces a PoA failover to the standby PoA when one of the following failures occurs:

- Failure of the DHD uplink port, Ethernet link, or downlink port on the active PoA—A policy failover is triggered via a configured failover policy and is considered a forced failover. When the number of active and SELECTED links to the active PoA goes below the configured minimum threshold, mLACP forces a failover to the standby PoA's member links. This minimum threshold is configured using the **lACP min-links** command in interface configuration mode. The PoAs determine the failover independent of the operational control variant in use.
- Failure of the active PoA—This failure is detected by the standby PoA. mLACP automatically fails over to standby because mLACP on the standby PoA is notified of failure via ICRM and brings up its local member links. In the DHD-controlled variant, this failure looks the same as a total member link failure, and the DHD activates the standby links.
- Failure of the active PoA uplinks—mLACP is notified by ICRM of PE isolation and relinquishes its active member links. This failure is a “forced failover” and is determined by the PoAs independent of the operational control variant in use.

Dynamic Port Priority

The default failover mechanism uses dynamic port priority changes on the local member links to force the LACP selection logic to move the required standby link(s) to the SELECTED and Collecting_Distributing state. This state change occurs when the LACP actor port priority values for all affected member links on the currently active PoA are changed to a higher numeric value than the standby PoA's port priority (which gives the standby PoA ports a higher claim to bundle links). Changing the actor port priority triggers the transmission of an mLACP Port Config Type-Length-Value (TLV) message to all peers in the redundancy group. These messages also serve as notification to the standby PoA(s) that the currently active PoA is attempting to relinquish its role. The LACP then transitions the standby link(s) to the SELECTED state and moves all the currently active links to STANDBY.

Dynamic port priority changes are not automatically written back to the running configuration or to the NVRAM configuration. If you want the current priorities to be used when the system reloads, the **mlacp lag-priority** command must be used and the configuration must be saved.

Revertive and Nonrevertive Modes

Dynamic port priority functionality is used by the mLACP feature to provide both revertive mode and nonrevertive mode. The default operation is revertive, which is the default behavior in single chassis LACP. Nonrevertive mode can be enabled on a per port-channel basis by using the **lacp failover non-revertive** command in interface configuration mode. In Cisco IOS Release 12.2(33)SRE this command is supported only for mLACP.

Nonrevertive mode is used to limit failover and, therefore, possible traffic loss. Dynamic port priority changes are utilized to ensure that the newly activated PoA remains active after the failed PoA recovers.

Revertive mode operation forces the configured primary PoA to return to active state after it recovers from a failure. Dynamic port priority changes are utilized when necessary to allow the recovering PoA to resume its active role.

Brute Force Shutdown



Note This feature is not applicable for Cisco ASR 903 RSP3 Module.

A brute-force shutdown is a forced failover mechanism to bring down the active physical member link interface(s) for the given LAG on the PoA that is surrendering its active status. The port-channel and any remaining active member link goes to an “err-disabled” state. This mechanism does not depend on the DHD’s ability to manage dynamic port priority changes and compensates for deficiencies in the DHD’s LACP implementation.

The brute-force shutdown changes the status of each member link to ADMIN_DOWN to force the transition of the standby links to the active state. Note that this process eliminates the ability of the local LACP implementation to monitor the link state.

The brute-force shutdown operates in revertive mode, so dynamic port priorities cannot be used to control active selection. The brute-force approach is configured by the **lacp failover brute-force** command in interface configuration mode. This command is not allowed in conjunction with a nonrevertive configuration.

Peer Monitoring with Interchassis Redundancy Manager

There are two ways in which a peer can be monitored with Interchassis Redundancy Manager (ICRM):

- Routewatch (RW)--This method is the default.
- Bidirectional Forwarding Detection (BFD)--You must configure the redundancy group with the **monitor peer bfd** command.



Note In Cisco IOS XE Everest 16.5.1 release, RSP3 Module only supports single-hop BFD, hence only single-hop BFD is applicable for mLACP peer monitoring.



Note For stateful switchover (SSO) deployments (with redundant support in the chassis), BFD monitoring and a static route for the ICCP connection are required to prevent “split brain” after an SSO failover.

For each redundancy group, for each peer (member IP), a monitoring adjacency is created. If there are two peers with the same IP address, the adjacency is shared regardless of the monitoring mode. For example, if redundancy groups 1 and 2 are peered with member IP 10.10.10.10, there is only one adjacency to 10.10.10.10, which is shared in both redundancy groups. Furthermore, redundancy group 1 can use BFD monitoring while redundancy group 2 is using RW.



Note BFD is completely dependent on RW--there must be a route to the peer for ICRM to initiate BFD monitoring. BFD implies RW and sometimes the status of the adjacency may seem misleading but is accurately representing the state. Also, if the route to the peer PoA is not through the directly connected (back-to-back) link between the systems, BFD can give misleading results.

An example of output from the **show redundancy interchassis** command follows:

```
Device# show redundancy interchassis
Redundancy Group 1 (0x1)
  Applications connected: mLACP
  Monitor mode: Route-watch
  member ip: 201.0.0.1 'mlacp-201', CONNECTED
    Route-watch for 201.0.0.1 is UP
    mLACP state: CONNECTED
ICRM fast-failure detection neighbor table
IP Address      Status Type Next-hop IP      Interface
=====
201.0.0.1      UP      RW
```

To interpret the adjacency status displayed by the **show redundancy interchassis** command, refer to the table below.

Table 1: Status Information from the show redundancy interchassis command

Adjacency Type	Adjacency Status	Meaning
RW	DOWN	RW or BFD is configured, but there is no route for the given IP address.
RW	UP	RW or BFD is configured. RW is up, meaning there is a valid route to the peer. If BFD is configured and the adjacency status is UP, BFD is probably not configured on the interface of the route’s adjacency.
BFD	DOWN	BFD is configured. A route exists and the route’s adjacency is to an interface that has BFD enabled. BFD is started but the peer is down. The DOWN status can be because the peer is not present or BFD is not configured on the peer’s interface.
BFD	UP	BFD is configured and operational.



Note If the adjacency type is “BFD,” RW is UP regardless of the BFD status.

MAC Flushing Mechanisms

When mLACP is used to provide multichassis redundancy in multipoint bridged services (for example, VPLS), there must be a MAC flushing notification mechanism in order to prevent potential traffic blackholing.

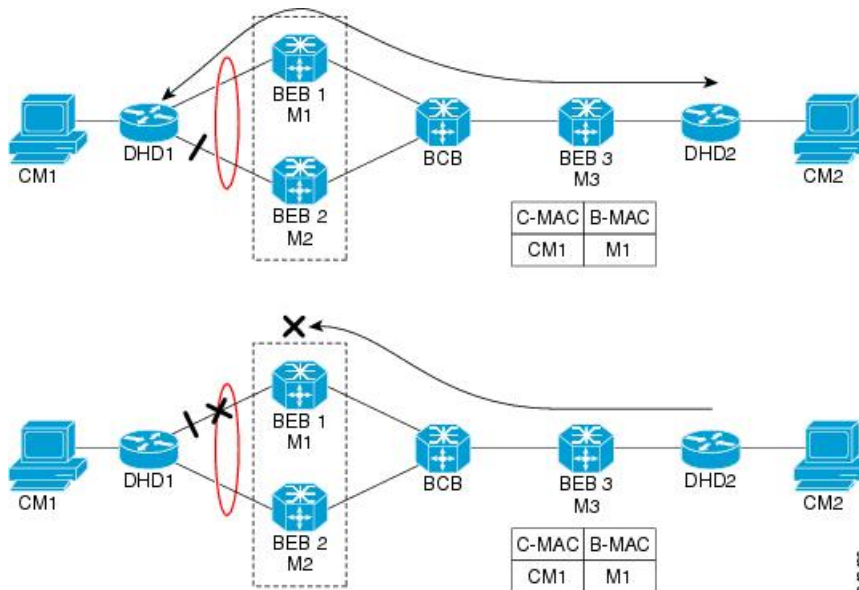
At the failover from a primary PoA to a secondary PoA, a service experiences traffic blackholing when the DHD in question remains inactive and while other remote devices in the network are attempting to send traffic to that DHD. Remote bridges in the network have stale MAC entries pointing to the failed PoA and direct traffic destined to the DHD to the failed PoA, where the traffic is dropped. This blackholing continues until the remote devices age out their stale MAC address table entries (which typically takes five minutes). To prevent this anomaly, the newly active PoA, which has taken control of the service, transmits a MAC flush notification message to the remote devices in the network to flush their stale MAC address entries for the service in question.

The exact format of the MAC flushing message depends on the nature of the network transport: native 802.1Q/802.1ad Ethernet, native 802.1ah Ethernet, VPLS, or provider backbone bridge (PBB) over VPLS. Furthermore, in the context of 802.1ah, it is important to recognize the difference between mechanisms used for customer-MAC (C-MAC) address flushing versus bridge-MAC (B-MAC) address flushing.

The details of the various mechanisms are discussed in the following sections.

Multiple I-SID Registration Protocol

Multiple I-SID Registration Protocol (MIRP) is enabled by default on 802.1ah service instances. The use of MIRP in 802.1ah networks is shown in the figure below.



Device DHD1 is dual-homed to two 802.1ah backbone edge bridges (BEB1 and BEB2). Assume that initially the primary path is through BEB1. In this configuration BEB3 learns that the host behind DHD1 (with MAC address CM1) is reachable via the destination B-MAC M1. If the link between DHD1 and BEB1 fails and the host behind DHD1 remains inactive, the MAC cache tables on BEB3 still refer to the BEB1 MAC address

even though the new path is now via BEB2 with B-MAC address M2. Any bridged traffic destined from the host behind DHD2 to the host behind DHD1 is wrongfully encapsulated with B-MAC M1 and sent over the MAC tunnel to BEB1, where the traffic blackholes.

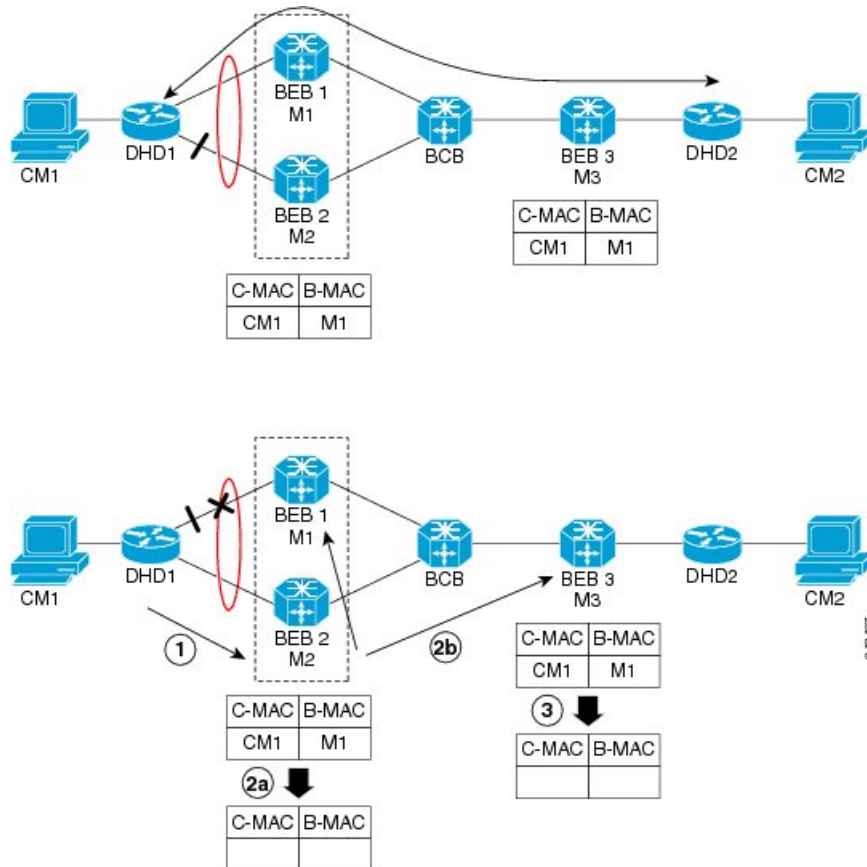
To circumvent the traffic blackholing problem when the link between DHD1 and BEB1 fails, BEB2 performs two tasks:

- Flushes its own MAC address table for the service or services in question.
- Transmits an MIRP message on its uplink to signal the far end BEB (BEB3) to flush its MAC address table. Note that the MIRP message is transparent to the backbone core bridges (BCBs). The MIRP message is processed on a BEB because only BCBs learn and forward based on B-MAC addresses and they are transparent to C-MAC addresses.



Note MIRP triggers C-MAC address flushing for both native 802.1ah and PBB over VPLS. This is not applicable for Cisco ASR 903 RSP3 Module.

The figure below shows the operation of the MIRP.



The MIRP has not been defined in IEEE but is expected to be based on the IEEE 802.1ak Multiple Registration Protocol (MRP). MRP maintains a complex finite state machine (FSM) for generic attribute registration. In the case of MIRP, the attribute is an I-SID. As such, MIRP provides a mechanism for BEBs to build and prune a per I-SID multicast tree. The C-MAC flushing notification capability of MIRP is a special case of attribute

registration in which the device indicates that an MIRP declaration is “new,” meaning that this notification is the first time a BEB is declaring interest in a particular I-SID.

LDP MAC Address Withdraw

When the mLACP feature is used for PE redundancy in traditional VPLS (that is, not PBB over VPLS), the MAC flushing mechanism is based on the LDP MAC Address Withdraw message as defined in RFC 4762.

The required functional behavior is as follows: Upon a failover from the primary PoA to the standby PoA, the standby PoA flushes its local MAC address table for the affected services and generates the LDP MAC Address Withdraw messages to notify the remote PEs to flush their own MAC address tables. One message is generated for each pseudowire in the affected virtual forwarding instances (VFIs).

How to Configure mLACP

Configuring Interchassis Group and Basic mLACP Commands (Global Redundancy Group Configuration)

Perform this task to set up the communication between multiple PoAs and to configure them in the same group.

SUMMARY STEPS

1. **enable**
2. **configure terminal**
3. **redundancy**
4. **interchassis group** *group-id*
5. **monitor peer bfd**
6. **member ip** *ip-address*
7. **mlacp node-id** *node-id*
8. **mlacp system-mac** *mac-address*
9. **mlacp system-priority** *priority-value*
10. **backbone interface** *type number*
11. **end**

DETAILED STEPS

	Command or Action	Purpose
Step 1	enable Example: Router> enable	Enables privileged EXEC mode. <ul style="list-style-type: none"> • Enter your password if prompted.
Step 2	configure terminal Example:	Enters global configuration mode.

	Command or Action	Purpose
	Router# configure terminal	
Step 3	redundancy Example: Router(config)# redundancy	Enters redundancy configuration mode.
Step 4	interchassis group <i>group-id</i> Example: Router(config-red)# interchassis group 50	Configures an interchassis group within the redundancy configuration mode and enters interchassis redundancy mode.
Step 5	monitor peer bfd Example: Router(config-r-ic)# monitor peer bfd	Configures the BFD option to monitor the state of the peer. The default option is route-watch.
Step 6	member ip <i>ip-address</i> Example: Router(config-r-ic)# member ip 172.3.3.3	Configures the IP address of the mLACP peer member group.
Step 7	mlacp node-id <i>node-id</i> Example: Router(config-r-ic)# mlacp node-id 5	Defines the node ID used in the LACP Port ID field by this member of the mLACP redundancy group. <ul style="list-style-type: none"> The valid range is 0 to 7, and the value should be different from the peer values.
Step 8	mlacp system-mac <i>mac-address</i> Example: Router(config-r-ic)# mlacp system-mac aa12.be45.d799	Defines and advertises the system MAC address value to the mLACP members of the redundancy group for arbitration. <ul style="list-style-type: none"> The format of the <i>mac-address</i> argument must be in standard MAC address format: aabb.ccdd.eeff.
Step 9	mlacp system-priority <i>priority-value</i> Example: Router(config-r-ic)# mlacp system-priority 100	Defines the system priority advertised to the other mLACP members of the redundancy group. <ul style="list-style-type: none"> System priority values are 1 to 65535. Default value is 32768. The assigned values should be lower than the DHD.
Step 10	backbone interface <i>type number</i> Example: Router(config-r-ic)# backbone interface GigabitEthernet2/3	Defines the backbone interface for the mLACP configuration.

	Command or Action	Purpose
Step 11	end Example: <pre>Router(config-r-ic)# end</pre>	Returns the CLI to privileged EXEC mode.

Configuring the mLACP Interchassis Group and Other Port-Channel Commands

Perform this task to set up mLACP attributes specific to a port channel. The **mLACP interchassis group** command links the port-channel interface to the interchassis group that was created in the previous [Configuring Interchassis Group and Basic mLACP Commands \(Global Redundancy Group Configuration\)](#), on page 16.

SUMMARY STEPS

1. **enable**
2. **configure terminal**
3. **interface port-channel** *port-channel- number*
4. **lACP max-bundle** *max-bundles*
5. **lACP failover** {**brute-force**| **non-revertive**}
6. **exit**
7. **redundancy**
8. **interchassis group** *group-id*
9. **exit**
10. **exit**
11. **errdisable recovery cause mLACP-minlink**
12. **end**

DETAILED STEPS

	Command or Action	Purpose
Step 1	enable Example: <pre>Router> enable</pre>	Enables privileged EXEC mode. <ul style="list-style-type: none"> • Enter your password if prompted.
Step 2	configure terminal Example: <pre>Router# configure terminal</pre>	Enters global configuration mode.
Step 3	interface port-channel <i>port-channel- number</i> Example: <pre>Router(config)# interface port-channel1</pre>	Configures the port channel and enters interface configuration mode.

	Command or Action	Purpose
Step 4	<p>lacp max-bundle <i>max-bundles</i></p> <p>Example:</p> <pre>Router(config-if)# lacp max-bundle 4</pre>	<p>Configures the max-bundle links that are connected to the PoA. The value of the <i>max-bundles</i> argument should not be less than the total number of links in the LAG that are connected to the PoA.</p> <ul style="list-style-type: none"> • Determines whether the redundancy group is under DHD control, PoA control, or both. • Range is 1 to 8. Default value is 8.
Step 5	<p>lacp failover {brute-force non-revertive}</p> <p>Example:</p> <pre>Router(config-if)# lacp failover brute-force</pre>	<p>Sets the mLACP switchover to nonrevertive or brute force. This command is optional.</p> <ul style="list-style-type: none"> • Default value is revertive (with 180-second delay). • If you configure brute force, a minimum link failure for every mLACP failure occurs or the dynamic lag priority value is modified.
Step 6	<p>exit</p> <p>Example:</p> <pre>Router(config-if)# exit</pre>	Exits interface configuration mode.
Step 7	<p>redundancy</p> <p>Example:</p> <pre>Router(config)# redundancy</pre>	Enters redundancy configuration mode.
Step 8	<p>interchassis group <i>group-id</i></p> <p>Example:</p> <pre>Router(config-red)# interchassis group 230</pre>	Specifies that the port channel is an mLACP port channel. The <i>group-id</i> should match the configured redundancy group.
Step 9	<p>exit</p> <p>Example:</p> <pre>Router(config-r-ic)# exit</pre>	Exits interchassis redundancy mode.
Step 10	<p>exit</p> <p>Example:</p> <pre>Router(config-red)# exit</pre>	Exits redundancy configuration mode.
Step 11	<p>errdisable recovery cause mlacp-minlink</p> <p>Example:</p> <pre>Router(config)# errdisable recovery cause mlacp-minlink</pre>	Enables automatic recovery from a failover state of the port channel.

	Command or Action	Purpose
Step 12	end Example: Router(config)# end	Returns the CLI to privileged EXEC mode.

Configuring Redundancy for VPWS

Perform this task to provide Layer 2 VPN service redundancy for VPWS.

SUMMARY STEPS

1. **enable**
2. **configure terminal**
3. **pseudowire-class** *pw-class-name*
4. **encapsulation mpls**
5. **status peer topology dual-homed**
6. **exit**
7. **interface port-channel** *port-channel-number*
8. **no ip address**
9. **lACP fast-switchover**
10. **lACP max-bundle** *max-bundles*
11. **exit**
12. **redundancy**
13. **interchassis group** *group-id*
14. **exit**
15. **exit**
16. **interface port-channel** *port-channel-number*
17. **service instance** *id* **ethernet** [*evc-name*]
18. **encapsulation dot1q** *vlan-id* [, *vlan-id*[- *vlan-id*]] [**native**]
19. **exit**
20. **xconnect** *peer-ip-address* *vc-id* {**encapsulation mpls** | **pw-class** *pw-class-name*} [**pw-class** *pw-class-name*] [**sequencing** {**transmit** | **receive** | **both**}]
21. **backup peer** *peer-router-ip-addr* *vcid* [**pw-class** *pw-class-name*] [**priority** *value*]
22. **end**

DETAILED STEPS

	Command or Action	Purpose
Step 1	enable Example: Router> enable	Enables privileged EXEC mode. <ul style="list-style-type: none"> • Enter your password if prompted.

	Command or Action	Purpose
Step 2	configure terminal Example: Router# configure terminal	Enters global configuration mode.
Step 3	pseudowire-class <i>pw-class-name</i> Example: Router(config)# pseudowire-class ether-pw	Specifies the name of a Layer 2 pseudowire class and enters pseudowire class configuration mode.
Step 4	encapsulation mpls Example: Router(config-pw-class)# encapsulation mpls	Specifies that MPLS is used as the data encapsulation method for tunneling Layer 2 traffic over the pseudowire.
Step 5	status peer topology dual-homed Example: Router(config-pw-class)# status peer topology dual-homed	Enables the reflection of the attachment circuit status onto both the primary and secondary pseudowires. This condition is necessary if the peer PEs are connected to a dual-homed device.
Step 6	exit Example: Router(config-pw-class)# exit	Exits pseudowire class configuration mode.
Step 7	interface port-channel <i>port-channel-number</i> Example: Router(config)# interface port-channel1	Configures the port channel and enters interface configuration mode.
Step 8	no ip address Example: Router(config-if)# no ip address	Specifies that the VLAN interface does not have an IP address assigned to it.
Step 9	lacp fast-switchover Example: Router(config-if)# lacp fast-switchover	Enables LACP 1-to-1 link redundancy.
Step 10	lacp max-bundle <i>max-bundles</i> Example: Router(config-if)# lacp max-bundle 4	Configures the max-bundle links that are connected to the PoA. The value of the <i>max-bundles</i> argument should not be less than the total number of links in the LAG that are connected to the PoA. <ul style="list-style-type: none"> • Determines whether the redundancy group is under DHD control, PoA control, or both.

	Command or Action	Purpose
		<ul style="list-style-type: none"> Range is 1 to 8. Default value is 8.
Step 11	exit Example: <pre>Router(config-if)# exit</pre>	Exits interface configuration mode.
Step 12	redundancy Example: <pre>Router(config)# redundancy</pre>	Enters redundancy configuration mode.
Step 13	interchassis group <i>group-id</i> Example: <pre>Router(config-red)# interchassis group 230</pre>	Specifies that the port channel is an mLACP port channel. <ul style="list-style-type: none"> The <i>group-id</i> should match the configured redundancy group.
Step 14	exit Example: <pre>Router(config-r-ic)# exit</pre>	Exits interchassis redundancy mode.
Step 15	exit Example: <pre>Router(config-red)# exit</pre>	Exits redundancy configuration mode.
Step 16	interface port-channel <i>port-channel-number</i> Example: <pre>Router(config)# interface port-channel 1</pre>	Configures the port channel and enters interface configuration mode.
Step 17	service instance <i>id</i> ethernet [<i>evc-name</i>] Example: <pre>Router(config-if)# service instance 1 ethernet</pre>	Configures an Ethernet service instance.
Step 18	encapsulation dot1q <i>vlan-id</i> [, <i>vlan-id</i>[- <i>vlan-id</i>]] [native] Example: <pre>Router(config-if-srv)# encapsulation dot1q 100</pre>	Enables IEEE 802.1Q encapsulation of traffic on a specified subinterface in a VLAN.
Step 19	exit Example: <pre>Router(config-if-srv)# exit</pre>	Exits service instance configuration mode.

	Command or Action	Purpose
Step 20	<p>xconnect <i>peer-ip-address</i> <i>vc-id</i> {encapsulation mpls pw-class <i>pw-class-name</i>} [pw-class <i>pw-class-name</i>] [sequencing {transmit receive both}]</p> <p>Example:</p> <pre>Router(config-if)# xconnect 10.0.3.201 123 pw-class ether-pw</pre>	Binds an attachment circuit to a pseudowire.
Step 21	<p>backup peer <i>peer-router-ip-addr</i> <i>vcid</i> [pw-class <i>pw-class-name</i>] [priority <i>value</i>]</p> <p>Example:</p> <pre>Router(config-if)# backup peer 10.1.1.1 123 pw-class ether-pw</pre>	Specifies a redundant peer for a pseudowire virtual circuit.
Step 22	<p>end</p> <p>Example:</p> <pre>Router(config-if)# end</pre>	Returns the CLI to privileged EXEC mode.

Configuring Redundancy for VPWS on ME3600 Series Switches

Perform this task to provide Layer 2 VPN service redundancy for VPWS on Cisco ME3600, ME3600X 24CX, ME3800 series switches.

SUMMARY STEPS

1. **enable**
2. **configure terminal**
3. **pseudowire-class** *pw-class-name*
4. **encapsulation** **mpls**
5. **status peer topology dual-homed**
6. **exit**
7. **interface port-channel** *port-channel-number*
8. **switchport mode trunk**
9. **switchport trunk allowed vlan none**
10. **lACP fast-switchover**
11. **lACP max-bundle** *max-bundles*
12. **exit**
13. **redundancy**
14. **interchassis group** *group-id*
15. **exit**
16. **exit**
17. **interface port-channel** *port-channel-number*
18. **service instance** *id* **ethernet** [*evc-name*]

19. **encapsulation dot1q** *vlan-id* [, *vlan-id*[- *vlan-id*]] [**native**]
20. **exit**
21. **xconnect** *peer-ip-address* *vc-id* {**encapsulation mpls** | **pw-class** *pw-class-name*} [**pw-class** *pw-class-name*] [**sequencing** {**transmit** | **receive** | **both**}]
22. **backup peer** *peer-router-ip-addr* *vcid* [**pw-class** *pw-class-name*] [**priority** *value*]
23. **end**

DETAILED STEPS

	Command or Action	Purpose
Step 1	enable Example: Router> enable	Enables privileged EXEC mode. <ul style="list-style-type: none"> • Enter your password if prompted.
Step 2	configure terminal Example: Router# configure terminal	Enters global configuration mode.
Step 3	pseudowire-class <i>pw-class-name</i> Example: Router(config)# pseudowire-class ether-pw	Specifies the name of a Layer 2 pseudowire class and enters pseudowire class configuration mode.
Step 4	encapsulation mpls Example: Router(config-pw-class)# encapsulation mpls	Specifies that MPLS is used as the data encapsulation method for tunneling Layer 2 traffic over the pseudowire.
Step 5	status peer topology dual-homed Example: Router(config-pw-class)# status peer topology dual-homed	Enables the reflection of the attachment circuit status onto both the primary and secondary pseudowires. This condition is necessary if the peer PEs are connected to a dual-homed device.
Step 6	exit Example: Router(config-pw-class)# exit	Exits pseudowire class configuration mode.
Step 7	interface port-channel <i>port-channel-number</i> Example: Router(config)# interface port-channel1	Configures the port channel and enters interface configuration mode.
Step 8	switchport mode trunk Example:	Specifies the port channel as trunking VLAN Layer 2 interface.

	Command or Action	Purpose
	<code>Router(config-if)# switchport mode trunk</code>	
Step 9	<p>switchport trunk allowed vlan none</p> <p>Example:</p> <pre>Router(config-if)# switchport trunk allowed vlan none</pre>	Sets the list of allowed VLANs that transmit traffic from this interface in tagged format when in trunking mode.
Step 10	<p>lacp fast-switchover</p> <p>Example:</p> <pre>Router(config-if)# lacp fast-switchover</pre>	Enables LACP 1-to-1 link redundancy.
Step 11	<p>lacp max-bundle <i>max-bundles</i></p> <p>Example:</p> <pre>Router(config-if)# lacp max-bundle 4</pre>	<p>Configures the max-bundle links that are connected to the PoA. The value of the <i>max-bundles</i> argument should not be less than the total number of links in the LAG that are connected to the PoA.</p> <ul style="list-style-type: none"> • Determines whether the redundancy group is under DHD control, PoA control, or both. • Range is 1 to 8. Default value is 8.
Step 12	<p>exit</p> <p>Example:</p> <pre>Router(config-if)# exit</pre>	Exits interface configuration mode.
Step 13	<p>redundancy</p> <p>Example:</p> <pre>Router(config)# redundancy</pre>	Enters redundancy configuration mode.
Step 14	<p>interchassis group <i>group-id</i></p> <p>Example:</p> <pre>Router(config-red)# interchassis group 230</pre>	<p>Specifies that the port channel is an mLACP port channel.</p> <ul style="list-style-type: none"> • The <i>group-id</i> should match the configured redundancy group.
Step 15	<p>exit</p> <p>Example:</p> <pre>Router(config-r-ic)# exit</pre>	Exits interchassis redundancy mode.
Step 16	<p>exit</p> <p>Example:</p> <pre>Router(config-red)# exit</pre>	Exits redundancy configuration mode.

	Command or Action	Purpose
Step 17	interface port-channel <i>port-channel-number</i> Example: <pre>Router(config)# interface port-channel1</pre>	Configures the port channel and enters interface configuration mode.
Step 18	service instance <i>id</i> ethernet [<i>evc-name</i>] Example: <pre>Router(config-if)# service instance 1 ethernet</pre>	Configures an Ethernet service instance.
Step 19	encapsulation dot1q <i>vlan-id</i> [, <i>vlan-id</i> [- <i>vlan-id</i>]] [native] Example: <pre>Router(config-if-srv)# encapsulation dot1q 100</pre>	Enables IEEE 802.1Q encapsulation of traffic on a specified subinterface in a VLAN.
Step 20	exit Example: <pre>Router(config-if-srv)# exit</pre>	Exits service instance configuration mode.
Step 21	xconnect <i>peer-ip-address</i> <i>vc-id</i> { encapsulation mpls pw-class <i>pw-class-name</i> } [pw-class <i>pw-class-name</i>] [sequencing {transmit receive both}] Example: <pre>Router(config-if)# xconnect 10.0.3.201 123 pw-class ether-pw</pre>	Binds an attachment circuit to a pseudowire.
Step 22	backup peer <i>peer-router-ip-addr</i> <i>vcid</i> [pw-class <i>pw-class-name</i>] [priority <i>value</i>] Example: <pre>Router(config-if)# backup peer 10.1.1.1 123 pw-class ether-pw</pre>	Specifies a redundant peer for a pseudowire virtual circuit.
Step 23	end Example: <pre>Router(config-if)# end</pre>	Returns the CLI to privileged EXEC mode.

Configuring Redundancy for VPLS

Coupled and Decoupled Modes for VPLS

VPLS can be configured in either coupled mode or decoupled mode. Coupled mode is when at least one attachment circuit in VFI changes state to active, all pseudowires in VFI advertise active. When all attachment circuits in VFI change state to standby, all pseudowires in VFI advertise standby mode. See the figure below.



VPLS decoupled mode is when all pseudowires in the VFI are always active and the attachment circuit state is independent of the pseudowire state. This mode provides faster switchover time when a platform does not support pseudowire status functionality, but extra flooding and multicast traffic will be dropped on the PE with standby attachment circuits. However, if the attachment circuit is down, all pseudowires also go down. See the figure below.



Steps for Configuring Redundancy for VPLS

Perform the following task to configure redundancy for VPLS.

SUMMARY STEPS

1. **enable**
2. **configure terminal**
3. **l2 vfi *name* manual**
4. **vpn id *vpn-id***
5. **status decoupled**
6. **neighbor *neighbor ip-address* *vc-id* {**encapsulation mpls** | **pw-class *pw-class-name***}**
7. **exit**
8. **interface port-channel *port-channel-number***
9. **no ip address**
10. **lACP fast-switchover**
11. **lACP max-bundle *max-bundles***
12. **exit**
13. **redundancy**
14. **interchassis group *group-id***
15. **exit**
16. **exit**
17. **interface port-channel *port-channel-number***
18. **service instance *id* ethernet [*evc-name*]**
19. **encapsulation dot1q *vlan-id* [, *vlan-id*[- *vlan-id*]] [**native**]**

20. **bridge-domain** *bridge-id* [**split-horizon** [**group** *group-id*]]
21. **exit**
22. **interface vlan** *vlanid*
23. **no ip address**
24. **xconnect vfi** *vfi-name*
25. **end**

DETAILED STEPS

	Command or Action	Purpose
Step 1	enable Example: Router> enable	Enables privileged EXEC mode. <ul style="list-style-type: none"> • Enter your password if prompted.
Step 2	configure terminal Example: Router# configure terminal	Enters global configuration mode.
Step 3	l2 vfi name manual Example: Router(config)# l2 vfi vfi1 manual	Establishes a Layer 2 VFI between two separate networks and enters VFI configuration mode.
Step 4	vpn id vpn-id Example: Router(config-vfi)# vpn id 100	Sets or updates a Virtual Private Network (VPN) ID on a VPN routing and forwarding (VRF) instance.
Step 5	status decoupled Example: Router(config-vfi)# status decoupled	(Optional) Enables decoupled mode. The state of the attachment circuits on the user-facing Provider Edge (uPE) is decoupled from the state of the pseudowires. The mLACP controls the state of the attachment circuits.
Step 6	neighbor neighbor ip-address vc-id {encapsulation mpls pw-class pw-class-name} Example: Router(config-vfi)# neighbor 10.1.1.1 50 encapsulation mpls	Specifies the routers that should form a VFI connection. <ul style="list-style-type: none"> • Repeat this command for each neighbor.
Step 7	exit Example: Router(config-vfi)# exit	Exits VFI configuration mode and returns to global configuration mode.

	Command or Action	Purpose
Step 8	interface port-channel <i>port-channel- number</i> Example: <pre>Router(config)# interface port-channel1</pre>	Configures the port channel and enters interface configuration mode.
Step 9	no ip address Example: <pre>Router(config-if)# no ip address</pre>	Specifies that the VLAN interface does not have an IP address assigned to it.
Step 10	lacp fast-switchover Example: <pre>Router(config-if)# lacp fast-switchover</pre>	Enables LACP 1-to-1 link redundancy.
Step 11	lacp max-bundle <i>max-bundles</i> Example: <pre>Router(config-if)# lacp max-bundle 2</pre>	Configures the max-bundle links that are connected to the PoA. The value of the <i>max-bundles</i> argument should not be less than the total number of links in the LAG that are connected to the PoA. <ul style="list-style-type: none"> • Determines whether the redundancy group is under DHD control, PoA control, or both. • Range is 1 to 8. Default value is 8.
Step 12	exit Example: <pre>Router(config-if)# exit</pre>	Exits interface configuration mode.
Step 13	redundancy Example: <pre>Router(config)# redundancy</pre>	<ul style="list-style-type: none"> • Enters redundancy configuration mode.
Step 14	interchassis group <i>group-id</i> Example: <pre>Router(config-red)# interchassis group 230</pre>	Specifies that the port channel is an mLACP port-channel. <ul style="list-style-type: none"> • The <i>group-id</i> should match the configured redundancy group.
Step 15	exit Example: <pre>Router(config-r-ic)# exit</pre>	Exits interchassis redundancy mode.
Step 16	exit Example:	Exits redundancy configuration mode.

	Command or Action	Purpose
	<code>Router(config-red)# exit</code>	
Step 17	interface port-channel <i>port-channel-number</i> Example: <code>Router(config)# interface port-channel1</code>	Configures the port channel and enters interface configuration mode.
Step 18	service instance <i>id</i> ethernet [<i>evc-name</i>] Example: <code>Router(config-if)# service instance 1 ethernet</code>	Configures an Ethernet service instance and enters Ethernet service configuration mode.
Step 19	encapsulation dot1q <i>vlan-id</i> [, <i>vlan-id</i> [- <i>vlan-id</i>]] [native] Example: <code>Router(config-if-srv)# encapsulation dot1q 100</code>	Enables IEEE 802.1Q encapsulation of traffic on a specified subinterface in a VLAN.
Step 20	bridge-domain <i>bridge-id</i> [split-horizon [group <i>group-id</i>]] Example: <code>Router(config-if-srv)# bridge-domain 200</code>	Configures the bridge domain. Binds the service instance to a bridge domain instance where <i>domain-number</i> is the identifier for the bridge domain instance.
Step 21	exit Example: <code>Router(config-if-srv)# exit</code>	Exits service instance configuration mode.
Step 22	interface vlan <i>vlanid</i> Example: <code>Router(config-if)# interface vlan 200</code>	Creates a dynamic switch virtual interface (SVI).
Step 23	no ip address Example: <code>Router(config-if)# no ip address</code>	Specifies that the VLAN interface does not have an IP address assigned to it.
Step 24	xconnect vfi <i>vfi-name</i> Example: <code>Router(config-if)# xconnect vfi vfi-16</code>	Specifies the Layer 2 VFI that you are binding to the VLAN port.
Step 25	end Example:	Returns the CLI to privileged EXEC mode.

	Command or Action	Purpose
	Router(config-if)# end	

Steps for Configuring Redundancy for VPLS on ME3600 Series Switches

Perform the following task to configure redundancy for VPLS on Cisco ME3600, ME3600X 24CX, ME3800 series switches.

SUMMARY STEPS

1. enable
2. configure terminal
3. l2 vfi name manual
4. vpn id vpn-id
5. status decoupled
6. neighbor neighbor ip-address vc-id {encapsulation mpls | pw-class pw-class-name}
7. exit
8. interface port-channel port-channel-number
9. switchport mode trunk
10. switchport trunk allowed vlan none
11. lacp fast-switchover
12. lacp max-bundle max-bundles
13. exit
14. redundancy
15. interchassis group group-id
16. exit
17. exit
18. interface port-channel port-channel-number
19. service instance id ethernet [evc-name]
20. encapsulation dot1q vlan-id [, vlan-id[-vlan-id]] [native]
21. bridge-domain bridge-id [split-horizon [group group-id]]
22. exit
23. interface vlan vlanid
24. no ip address
25. xconnect vfi vfi-name
26. end

DETAILED STEPS

	Command or Action	Purpose
Step 1	enable Example: Router> enable	Enables privileged EXEC mode. • Enter your password if prompted.

	Command or Action	Purpose
Step 2	configure terminal Example: Router# configure terminal	Enters global configuration mode.
Step 3	l2 vfi name manual Example: Router(config)# l2 vfi vfi1 manual	Establishes a Layer 2 VFI between two separate networks and enters VFI configuration mode.
Step 4	vpn id vpn-id Example: Router(config-vfi)# vpn id 100	Sets or updates a Virtual Private Network (VPN) ID on a VPN routing and forwarding (VRF) instance.
Step 5	status decoupled Example: Router(config-vfi)# status decoupled	(Optional) Enables decoupled mode. The state of the attachment circuits on the user-facing Provider Edge (uPE) is decoupled from the state of the pseudowires. The mLACP controls the state of the attachment circuits.
Step 6	neighbor neighbor ip-address vc-id {encapsulation mpls pw-class pw-class-name} Example: Router(config-vfi)# neighbor 10.1.1.1 50 encapsulation mpls	Specifies the routers that should form a VFI connection. <ul style="list-style-type: none"> • Repeat this command for each neighbor.
Step 7	exit Example: Router(config-vfi)# exit	Exits VFI configuration mode and returns to global configuration mode.
Step 8	interface port-channel port-channel-number Example: Router(config)# interface port-channel1	Configures the port channel and enters interface configuration mode.
Step 9	switchport mode trunk Example: Router(config-if)# switchport mode trunk	Specifies the port channel as trunking VLAN Layer 2 interface.
Step 10	switchport trunk allowed vlan none Example: Router(config-if)# switchport trunk allowed vlan none	Sets the list of allowed VLANs that transmit traffic from this interface in tagged format when in trunking mode.

	Command or Action	Purpose
Step 11	lACP fast-switchover Example: <pre>Router(config-if)# lACP fast-switchover</pre>	Enables LACP 1-to-1 link redundancy.
Step 12	lACP max-bundle <i>max-bundles</i> Example: <pre>Router(config-if)# lACP max-bundle 2</pre>	Configures the max-bundle links that are connected to the PoA. The value of the <i>max-bundles</i> argument should not be less than the total number of links in the LAG that are connected to the PoA. <ul style="list-style-type: none"> • Determines whether the redundancy group is under DHD control, PoA control, or both. • Range is 1 to 8. Default value is 8.
Step 13	exit Example: <pre>Router(config-if)# exit</pre>	Exits interface configuration mode.
Step 14	redundancy Example: <pre>Router(config)# redundancy</pre>	<ul style="list-style-type: none"> • Enters redundancy configuration mode.
Step 15	interchassis group <i>group-id</i> Example: <pre>Router(config-red)# interchassis group 230</pre>	Specifies that the port channel is an mLACP port-channel. <ul style="list-style-type: none"> • The <i>group-id</i> should match the configured redundancy group.
Step 16	exit Example: <pre>Router(config-r-ic)# exit</pre>	Exits interchassis redundancy mode.
Step 17	exit Example: <pre>Router(config-red)# exit</pre>	Exits redundancy configuration mode.
Step 18	interface port-channel <i>port-channel-number</i> Example: <pre>Router(config)# interface port-channel1</pre>	Configures the port channel and enters interface configuration mode.
Step 19	service instance <i>id</i> ethernet [<i>evc-name</i>] Example:	Configures an Ethernet service instance and enters Ethernet service configuration mode.

	Command or Action	Purpose
	<code>Router(config-if)# service instance 1 ethernet</code>	
Step 20	encapsulation dot1q <i>vlan-id</i> [, <i>vlan-id</i> [- <i>vlan-id</i>]] [native] Example: <code>Router(config-if-srv)# encapsulation dot1q 100</code>	Enables IEEE 802.1Q encapsulation of traffic on a specified subinterface in a VLAN.
Step 21	bridge-domain <i>bridge-id</i> [split-horizon [group <i>group-id</i>]] Example: <code>Router(config-if-srv)# bridge-domain 200</code>	Configures the bridge domain. Binds the service instance to a bridge domain instance where <i>domain-number</i> is the identifier for the bridge domain instance.
Step 22	exit Example: <code>Router(config-if-srv)# exit</code>	Exits service instance configuration mode.
Step 23	interface vlan <i>vlanid</i> Example: <code>Router(config-if)# interface vlan 200</code>	Creates a dynamic switch virtual interface (SVI).
Step 24	no ip address Example: <code>Router(config-if)# no ip address</code>	Specifies that the VLAN interface does not have an IP address assigned to it.
Step 25	xconnect vfi <i>vfi-name</i> Example: <code>Router(config-if)# xconnect vfi vfi-16</code>	Specifies the Layer 2 VFI that you are binding to the VLAN port.
Step 26	end Example: <code>Router(config-if)# end</code>	Returns the CLI to privileged EXEC mode.

Configuring Hierarchical VPLS

Perform this task to configure Hierarchical VPLS (H-VPLS).

SUMMARY STEPS

1. **enable**

2. **configure terminal**
3. **pseudowire-class** *pw-class-name*
4. **encapsulation mpls**
5. **status peer topology dual-homed**
6. **status decoupled**
7. **exit**
8. **interface port-channel** *port-channel-number*
9. **no ip address**
10. **lACP fast-switchover**
11. **lACP max-bundle** *max-bundles*
12. **exit**
13. **redundancy**
14. **interchassis group** *group-id*
15. **exit**
16. **exit**
17. **interface port-channel** *port-channel-number*
18. **service instance** *id* **ethernet** [*evc-name*]
19. **encapsulation dot1q** *vlan-id* [, *vlan-id*[- *vlan-id*]] [**native**]
20. **exit**
21. **xconnect** *peer-ip-address* *vc-id* {**encapsulation mpls** | **pw-class** *pw-class-name*} [**pw-class** *pw-class-name*] [**sequencing** {**transmit** | **receive** | **both**}]
22. **backup peer** *peer-router-ip-addr* *vcid* [**pw-class** *pw-class-name*] [**priority** *value*]
23. **end**

DETAILED STEPS

	Command or Action	Purpose
Step 1	enable Example: <pre>Router> enable</pre>	Enables privileged EXEC mode. <ul style="list-style-type: none"> • Enter your password if prompted.
Step 2	configure terminal Example: <pre>Router# configure terminal</pre>	Enters global configuration mode.
Step 3	pseudowire-class <i>pw-class-name</i> Example: <pre>Router(config)# pseudowire-class ether-pw</pre>	Specifies the name of a Layer 2 pseudowire class and enters pseudowire class configuration mode.
Step 4	encapsulation mpls Example: <pre>Router(config-pw-class)# encapsulation mpls</pre>	Specifies that MPLS is used as the data encapsulation method for tunneling Layer 2 traffic over the pseudowire.

	Command or Action	Purpose
Step 5	status peer topology dual-homed Example: <pre>Router(config-pw-class)# status peer topology dual-homed</pre>	Enables the reflection of the attachment circuit status onto both the primary and secondary pseudowires. This configuration is necessary if the peer PEs are connected to a dual-homed device.
Step 6	status decoupled Example: <pre>Router(config-pw-class)# status decoupled</pre>	(Optional) Enables decoupled mode. The state of the attachment circuits on the uPE is decoupled from the state of the pseudowires. The mLACP controls the state of the attachment circuits.
Step 7	exit Example: <pre>Router(config-pw-class)# exit</pre>	Exits pseudowire class configuration mode and returns to global configuration mode.
Step 8	interface port-channel <i>port-channel-number</i> Example: <pre>Router(config)# interface port-channel1</pre>	Configures the port channel and enters interface configuration mode.
Step 9	no ip address Example: <pre>Router(config-if)# no ip address</pre>	Specifies that the VLAN interface does not have an IP address assigned to it.
Step 10	lacp fast-switchover Example: <pre>Router(config-if)# lacp fast-switchover</pre>	Enables LACP 1-to-1 link redundancy.
Step 11	lacp max-bundle <i>max-bundles</i> Example: <pre>Router(config-if)# lacp max-bundle 4</pre>	<p>Configures the max-bundle links that are connected to the PoA. The value of the <i>max-bundles</i> argument should not be less than the total number of links in the LAG that are connected to the PoA.</p> <ul style="list-style-type: none"> • Determines whether the redundancy group is under DHD control, PoA control, or both. • Range is 1 to 8. Default value is 8.
Step 12	exit Example: <pre>Router(config-if)# exit</pre>	Exits interface configuration mode.
Step 13	redundancy Example:	Enters redundancy configuration mode.

	Command or Action	Purpose
	<code>Router(config)# redundancy</code>	
Step 14	interchassis group <i>group-id</i> Example: <code>Router(config-red)# interchassis group 230</code>	Specifies that the port channel is an mLACP port channel. <ul style="list-style-type: none"> The <i>group-id</i> should match the configured redundancy group.
Step 15	exit Example: <code>Router(config-r-ic)# exit</code>	Exits interchassis redundancy mode.
Step 16	exit Example: <code>Router(config-red)# exit</code>	Exits redundancy configuration mode.
Step 17	interface port-channel <i>port-channel-number</i> Example: <code>Router(config)# interface port-channel1</code>	Configures the port channel and enters interface configuration mode.
Step 18	service instance <i>id</i> ethernet [<i>evc-name</i>] Example: <code>Router(config-if)# service instance 1 ethernet</code>	Configures an Ethernet service instance and enters Ethernet service configuration mode.
Step 19	encapsulation dot1q <i>vlan-id</i> [, <i>vlan-id</i> [- <i>vlan-id</i>]] [native] Example: <code>Router(config-if-srv)# encapsulation dot1q 100</code>	Enables IEEE 802.1Q encapsulation of traffic on a specified subinterface in a VLAN.
Step 20	exit Example: <code>Router(config-if-srv)# exit</code>	Exits service instance configuration mode.
Step 21	xconnect <i>peer-ip-address</i> <i>vc-id</i> { encapsulation mpls pw-class <i>pw-class-name</i> } [pw-class <i>pw-class-name</i>] [sequencing { transmit receive both }] Example: <code>Router(config-if)# xconnect 10.0.3.201 123 pw-class vlan-xconnect</code>	Binds an attachment circuit to a pseudowire, and configures an Any Transport over MPLS (AToM) static pseudowire.
Step 22	backup peer <i>peer-router-ip-addr</i> <i>vcid</i> [pw-class <i>pw-class-name</i>] [priority <i>value</i>]	Specifies a redundant peer for a pseudowire virtual circuit.

	Command or Action	Purpose
	Example: Router(config-if)# backup peer 10.1.1.1 123 pw-class ether-pw	
Step 23	end Example: Router(config-if)# end	Returns the CLI to privileged EXEC mode.

Configuring Hierarchical VPLS on ME3600 Series Switches

Perform this task to configure Hierarchical VPLS (H-VPLS) on Cisco ME3600, ME3600X 24CX, ME3800 series switches.

SUMMARY STEPS

1. **enable**
2. **configure terminal**
3. **pseudowire-class** *pw-class-name*
4. **encapsulation mpls**
5. **status peer topology dual-homed**
6. **status decoupled**
7. **exit**
8. **interface port-channel** *port-channel-number*
9. **switchport mode trunk**
10. **switchport trunk allowed vlan none**
11. **lacp fast-switchover**
12. **lacp max-bundle** *max-bundles*
13. **exit**
14. **redundancy**
15. **interchassis group** *group-id*
16. **exit**
17. **exit**
18. **interface port-channel** *port-channel-number*
19. **service instance** *id* **ethernet** [*evc-name*]
20. **encapsulation dot1q** *vlan-id* [, *vlan-id*[- *vlan-id*]] [**native**]
21. **exit**
22. **xconnect** *peer-ip-address* *vc-id* {**encapsulation mpls** | **pw-class** *pw-class-name*} [**pw-class** *pw-class-name*] [**sequencing** {**transmit** | **receive** | **both**}]
23. **backup peer** *peer-router-ip-addr* *vcid* [**pw-class** *pw-class-name*] [**priority** *value*]
24. **end**

DETAILED STEPS

	Command or Action	Purpose
Step 1	enable Example: Router> enable	Enables privileged EXEC mode. <ul style="list-style-type: none"> • Enter your password if prompted.
Step 2	configure terminal Example: Router# configure terminal	Enters global configuration mode.
Step 3	pseudowire-class <i>pw-class-name</i> Example: Router(config)# pseudowire-class ether-pw	Specifies the name of a Layer 2 pseudowire class and enters pseudowire class configuration mode.
Step 4	encapsulation mpls Example: Router(config-pw-class)# encapsulation mpls	Specifies that MPLS is used as the data encapsulation method for tunneling Layer 2 traffic over the pseudowire.
Step 5	status peer topology dual-homed Example: Router(config-pw-class)# status peer topology dual-homed	Enables the reflection of the attachment circuit status onto both the primary and secondary pseudowires. This configuration is necessary if the peer PEs are connected to a dual-homed device.
Step 6	status decoupled Example: Router(config-pw-class)# status decoupled	(Optional) Enables decoupled mode. The state of the attachment circuits on the uPE is decoupled from the state of the pseudowires. The mLACP controls the state of the attachment circuits.
Step 7	exit Example: Router(config-pw-class)# exit	Exits pseudowire class configuration mode and returns to global configuration mode.
Step 8	interface port-channel <i>port-channel-number</i> Example: Router(config)# interface port-channel1	Configures the port channel and enters interface configuration mode.
Step 9	switchport mode trunk Example: Router(config-if)# switchport mode trunk	Specifies the port channel as trunking VLAN Layer 2 interface.

	Command or Action	Purpose
Step 10	switchport trunk allowed vlan none Example: <pre>Router(config-if)# switchport trunk allowed vlan none</pre>	Sets the list of allowed VLANs that transmit traffic from this interface in tagged format when in trunking mode.
Step 11	lacp fast-switchover Example: <pre>Router(config-if)# lacp fast-switchover</pre>	Enables LACP 1-to-1 link redundancy.
Step 12	lacp max-bundle <i>max-bundles</i> Example: <pre>Router(config-if)# lacp max-bundle 4</pre>	Configures the max-bundle links that are connected to the PoA. The value of the <i>max-bundles</i> argument should not be less than the total number of links in the LAG that are connected to the PoA. <ul style="list-style-type: none"> • Determines whether the redundancy group is under DHD control, PoA control, or both. • Range is 1 to 8. Default value is 8.
Step 13	exit Example: <pre>Router(config-if)# exit</pre>	Exits interface configuration mode.
Step 14	redundancy Example: <pre>Router(config)# redundancy</pre>	Enters redundancy configuration mode.
Step 15	interchassis group <i>group-id</i> Example: <pre>Router(config-red)# interchassis group 230</pre>	Specifies that the port channel is an mLACP port channel. <ul style="list-style-type: none"> • The <i>group-id</i> should match the configured redundancy group.
Step 16	exit Example: <pre>Router(config-r-ic)# exit</pre>	Exits interchassis redundancy mode.
Step 17	exit Example: <pre>Router(config-red)# exit</pre>	Exits redundancy configuration mode.
Step 18	interface port-channel <i>port-channel-number</i> Example:	Configures the port channel and enters interface configuration mode.

	Command or Action	Purpose
	<pre>Router(config)# interface port-channel1</pre>	
Step 19	<p>service instance <i>id</i> ethernet [<i>evc-name</i>]</p> <p>Example:</p> <pre>Router(config-if)# service instance 1 ethernet</pre>	Configures an Ethernet service instance and enters Ethernet service configuration mode.
Step 20	<p>encapsulation dot1q <i>vlan-id</i> [, <i>vlan-id</i>[- <i>vlan-id</i>]] [native]</p> <p>Example:</p> <pre>Router(config-if-srv)# encapsulation dot1q 100</pre>	Enables IEEE 802.1Q encapsulation of traffic on a specified subinterface in a VLAN.
Step 21	<p>exit</p> <p>Example:</p> <pre>Router(config-if-srv)# exit</pre>	Exits service instance configuration mode.
Step 22	<p>xconnect <i>peer-ip-address</i> <i>vc-id</i> {encapsulation mpls pw-class <i>pw-class-name</i>} [pw-class <i>pw-class-name</i>] [sequencing {transmit receive both}]</p> <p>Example:</p> <pre>Router(config-if)# xconnect 10.0.3.201 123 pw-class vlan-xconnect</pre>	Binds an attachment circuit to a pseudowire, and configures an Any Transport over MPLS (AToM) static pseudowire.
Step 23	<p>backup peer <i>peer-router-ip-addr</i> <i>vcid</i> [pw-class <i>pw-class-name</i>] [priority <i>value</i>]</p> <p>Example:</p> <pre>Router(config-if)# backup peer 10.1.1.1 123 pw-class ether-pw</pre>	Specifies a redundant peer for a pseudowire virtual circuit.
Step 24	<p>end</p> <p>Example:</p> <pre>Router(config-if)# end</pre>	Returns the CLI to privileged EXEC mode.

Troubleshooting mLACP

Debugging mLACP

Use these **debug** commands for general mLACP troubleshooting.

SUMMARY STEPS

1. **enable**

2. `debug redundancy interchassis {all | application | error | event | monitor}`
3. `debug mpls ldp iccp`
4. `debug lacp [all | event| fsm| misc| multi-chassis [all | database | lacp-mgr | redundancy-group | user-interface] | packet]`
5. `debug lacp etherchannel`

DETAILED STEPS

	Command or Action	Purpose
Step 1	enable Example: <pre>Router> enable</pre>	Enables privileged EXEC mode. <ul style="list-style-type: none"> • Enter your password if prompted.
Step 2	debug redundancy interchassis {all application error event monitor} Example: <pre>Router# debug redundancy interchassis all</pre>	<ul style="list-style-type: none"> • Enables debugging of the interchassis redundancy manager.
Step 3	debug mpls ldp iccp Example: <pre>Router# debug mpls ldp iccp</pre>	<ul style="list-style-type: none"> • Enables debugging of the InterChassis Control Protocol (ICCP).
Step 4	debug lacp [all event fsm misc multi-chassis [all database lacp-mgr redundancy-group user-interface] packet] Example: <pre>Router# debug lacp multi-chassis all</pre>	Enables debugging of LACP activity. <ul style="list-style-type: none"> • This command is run on the switch processor.
Step 5	debug lacp etherchannel Example: <pre>Router# debug lacp etherchannel</pre>	Enables debugging for etherchannel component.

Debugging mLACP on an Attachment Circuit or EVC

Use these **debug** commands for troubleshooting mLACP on an attachment circuit or on an EVC.

SUMMARY STEPS

1. `enable`
2. `debug acircuit {checkpoint | error | event}`
3. `debug ethernet service {all | api | error | evc [evc-id] | ha | instance [id id | interface type number | qos] | interface type number | microblock | oam-mgr}`

DETAILED STEPS

	Command or Action	Purpose
Step 1	enable Example: <pre>Router> enable</pre>	Enables privileged EXEC mode. <ul style="list-style-type: none"> • Enter your password if prompted.
Step 2	debug acircuit {checkpoint error event} Example: <pre>Router# debug acircuit event</pre>	Displays checkpoints, errors, and events that occur on the attachment circuits between the PE and CE routers.
Step 3	debug ethernet service {all api error evc [evc-id] ha instance [id id interface type number qos] interface type number microblock oam-mgr} Example: <pre>Router# debug ethernet service all</pre>	Enables debugging of Ethernet customer service instances.

Debugging mLACP on AToM Pseudowires

Use the **debug mpls l2transport vc** command for troubleshooting mLACP on AToM pseudowires.

SUMMARY STEPS

1. **enable**
2. **debug mpls l2transport vc {event | fsm | ldp | sss | status {event | fsm}}**

DETAILED STEPS

	Command or Action	Purpose
Step 1	enable Example: <pre>Router> enable</pre>	Enables privileged EXEC mode. <ul style="list-style-type: none"> • Enter your password if prompted.
Step 2	debug mpls l2transport vc {event fsm ldp sss status {event fsm}} Example: <pre>Router# debug mpls l2transport status event</pre>	Displays information about the status of AToM virtual circuits (VCs).

Debugging Cross-Connect Redundancy Manager and Session Setup

Use the following **debug** commands to troubleshoot cross-connect, redundancy manager, and session setup.

SUMMARY STEPS

1. enable
2. debug sss error
3. debug sss events
4. debug xconnect {error | event}

DETAILED STEPS

	Command or Action	Purpose
Step 1	enable Example: Router> enable	Enables privileged EXEC mode. <ul style="list-style-type: none"> • Enter your password if prompted.
Step 2	debug sss error Example: Router# debug sss error	Displays diagnostic information about errors that may occur during a subscriber service switch (SSS) call setup.
Step 3	debug sss events Example: Router# debug sss event	Displays diagnostic information about SSS call setup events.
Step 4	debug xconnect {error event} Example: Router# debug xconnect event	Displays errors or events related to a cross-connect configuration.

Debugging VFI

Use the **debug vfi** command for troubleshooting a VFI.

SUMMARY STEPS

1. enable
2. debug vfi {checkpoint | error | event | fsm {error | event}}

DETAILED STEPS

	Command or Action	Purpose
Step 1	enable Example: Router> enable	Enables privileged EXEC mode. <ul style="list-style-type: none"> • Enter your password if prompted.

	Command or Action	Purpose
Step 2	debug vfi {checkpoint error event fsm {error event}} Example: Router# debug vfi checkpoint	Displays checkpoint information about a VFI.

Debugging the Segment Switching Manager (Switching Setup)

Use the **debug ssm** command for troubleshooting a segment switching manager (SSM).

SUMMARY STEPS

1. **enable**
2. **debug ssm** {cm errors | cm events | fhm errors | fhm events | sm errors | sm events | sm counters | xdr}

DETAILED STEPS

	Command or Action	Purpose
Step 1	enable Example: Router> enable	Enables privileged EXEC mode. <ul style="list-style-type: none"> • Enter your password if prompted.
Step 2	debug ssm {cm errors cm events fhm errors fhm events sm errors sm events sm counters xdr} Example: Router# debug ssm cm events	Displays diagnostic information about the SSM for switched Layer 2 segments.

Debugging High Availability Features in mLACP

Use the following **debug** commands for troubleshooting High Availability features in mLACP.

SUMMARY STEPS

1. **enable**
2. **debug mpls l2transport checkpoint**
3. **debug acircuit checkpoint**
4. **debug vfi checkpoint**

DETAILED STEPS

	Command or Action	Purpose
Step 1	enable Example:	Enables privileged EXEC mode. <ul style="list-style-type: none"> • Enter your password if prompted.

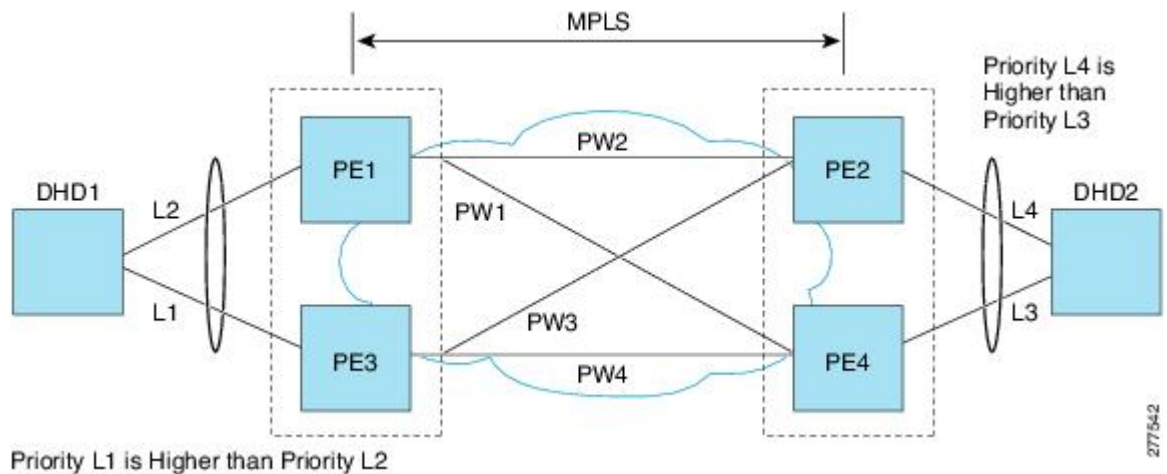
	Command or Action	Purpose
	Router> enable	
Step 2	debug mpls l2transport checkpoint Example: Router# debug mpls l2transport checkpoint	Enables the display of AToM events when AToM is configured for nonstop forwarding/stateful switchover (NSF/SSO) and Graceful Restart.
Step 3	debug acircuit checkpoint Example: Router# debug acircuit checkpoint	Enables the display of attachment circuit events when AToM is configured for NSF/SSO and Graceful Restart.
Step 4	debug vfi checkpoint Example: Router# debug vfi checkpoint	Enables the display of VFI events when AToM is configured for NSF/SSO and Graceful Restart.

Configuration Examples for mLACP

Example Configuring VPWS

Two sample configurations for VPWS follow: one example for an active PoA and the other for a standby PoA.

The figure below shows a sample topology for a VPWS configuration.



Active PoA for VPWS

The following VPWS sample configuration is for an active PoA:

```

mpls ldp graceful-restart
mpls label protocol ldp
!
redundancy
mode sso
interchassis group 1
member ip 201.0.0.1
backbone interface Ethernet0/2
backbone interface Ethernet1/2
backbone interface Ethernet1/3
monitor peer bfd
mlacp node-id 0
!
pseudowire-class mpls-dhd
encapsulation mpls
status peer topology dual-homed
!
interface Loopback0
ip address 200.0.0.1 255.255.255.255
!
interface Port-channel1
no ip address
lacp fast-switchover
lacp max-bundle 1
mlacp interchassis group 1
hold-queue 300 in
service instance 1 ethernet
encapsulation dot1q 100
xconnect 210.0.0.1 10 pw-class mpls-dhd
backup peer 211.0.0.1 10 pw-class mpls-dhd
!
interface Ethernet0/0
no ip address
channel-group 1 mode active
!
interface Ethernet1/3
ip address 10.0.0.200 255.255.255.0
mpls ip
bfd interval 50 min_rx 150 multiplier 3

```

Standby PoA for VPWS

The following VPWS sample configuration is for a standby PoA:

```

mpls ldp graceful-restart
mpls label protocol ldp
mpls ldp graceful-restart
mpls label protocol ldp
!
Redundancy
mode sso
interchassis group 1
member ip 200.0.0.1
backbone interface Ethernet0/2
backbone interface Ethernet1/2
backbone interface Ethernet1/3
monitor peer bfd
mlacp node-id 1
!
pseudowire-class mpls-dhd
encapsulation mpls
status peer topology dual-homed

```

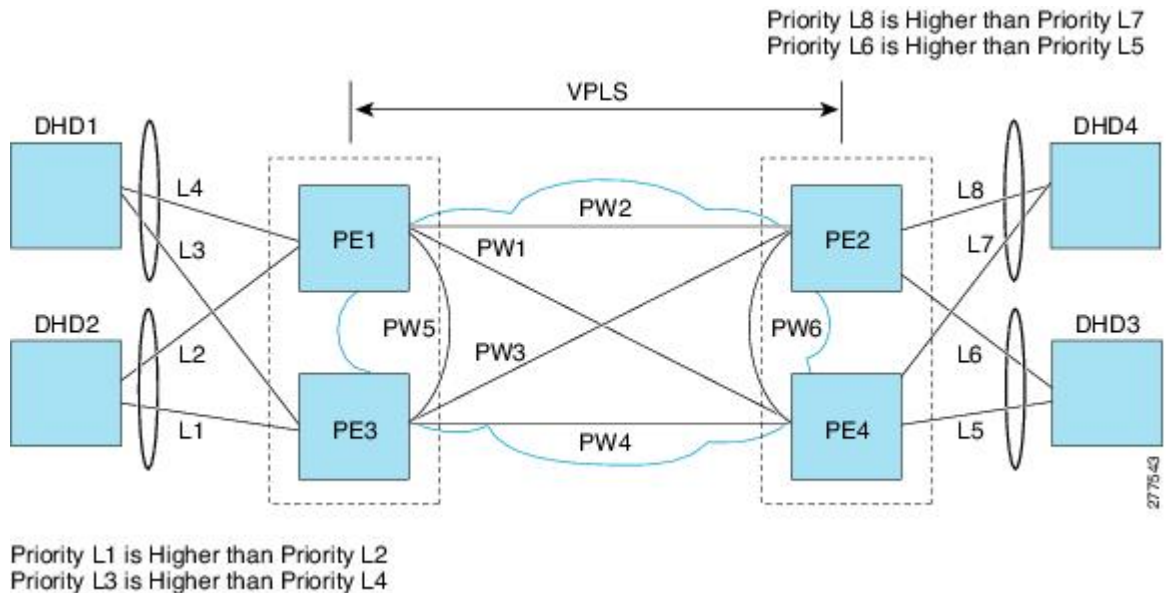
```

!
interface Loopback0
 ip address 201.0.0.1 255.255.255.255
!
interface Port-channel1
 no ip address
 lacp fast-switchover
 lacp max-bundle 1
 mlacp lag-priority 40000
 mlacp interchassis group 1
 hold-queue 300 in
 service instance 1 ethernet
 encapsulation dot1q 100
 xconnect 210.0.0.1 10 pw-class mpls-dhd
 backup peer 211.0.0.1 10 pw-class mpls-dhd
!
interface Ethernet1/0
 no ip address
 channel-group 1 mode active
!
interface Ethernet1/3
 ip address 10.0.0.201 255.255.255.0
 mpls ip
 bfd interval 50 min_rx 150 multiplier 3

```

Example Configuring VPLS

Two sample configurations for VPLS follow: one example for an active PoA and the other for a standby PoA. The figure below shows a sample topology for a VPLS configuration.



Active PoA for VPLS

The following VPLS sample configuration is for an active PoA:

```

mpls ldp graceful-restart
mpls label protocol ldp

```



```

!
redundancy
mode sso
interchassis group 1
  member ip 201.0.0.1
  backbone interface Ethernet0/2
  monitor peer bfd
  mlacp node-id 0
!
l2 vfi VPLS_200 manual
  vpn id 10
  neighbor 210.0.0.1 encapsulation mpls
  neighbor 211.0.0.1 encapsulation mpls
  neighbor 201.0.0.1 encapsulation mpls
!
interface Loopback0
  ip address 200.0.0.1 255.255.255.255
!
interface Port-channel1
  no ip address
  lacp fast-switchover
  lacp max-bundle 1
  mlacp interchassis group 1
  service instance 1 ethernet
  encapsulation dot1q 100
  bridge-domain 200
!
interface Ethernet0/0
  no ip address
  channel-group 1 mode active
!
interface Ethernet1/3
  ip address 10.0.0.200 255.255.255.0
  mpls ip
  bfd interval 50 min_rx 150 multiplier 3
!
interface Vlan200
  no ip address
  xconnect vfi VPLS_200

```

Standby PoA for VPLS

The following VPLS sample configuration is for a standby PoA:

```

mpls ldp graceful-restart
mpls label protocol ldp
!
redundancy
interchassis group 1
  member ip 200.0.0.1
  backbone interface Ethernet0/2
  monitor peer bfd
  mlacp node-id 1
!
l2 vfi VPLS1 manual
  vpn id 10
  neighbor 210.0.0.1 encapsulation mpls
  neighbor 211.0.0.1 encapsulation mpls
  neighbor 200.0.0.1 encapsulation mpls
!
interface Loopback0
  ip address 201.0.0.1 255.255.255.255
!

```

```

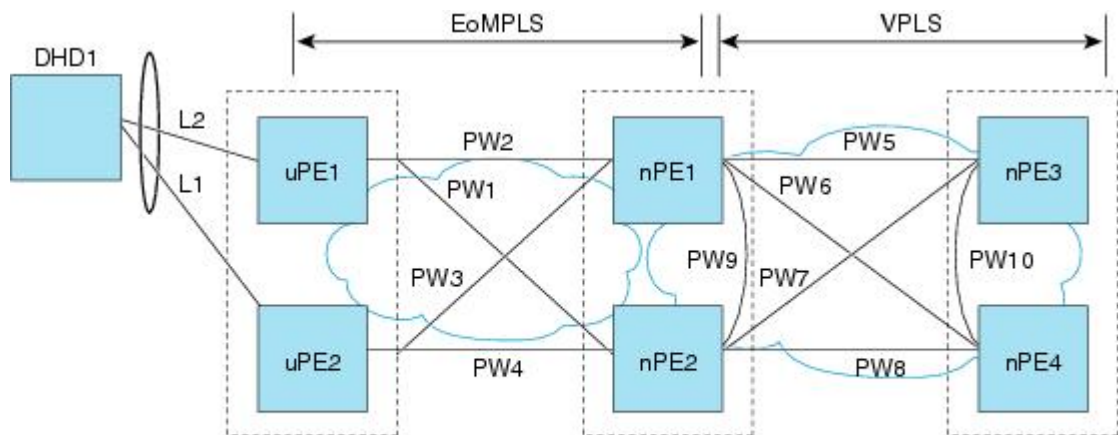
interface Port-channel1
  no ip address
  lacp fast-switchover
  lacp max-bundle 1
  mlacp lag-priority 40000
  mlacp interchassis group 1
  service instance 1 ethernet
  encapsulation dot1q 100
  bridge-domain 200
!
interface Ethernet1/0
  no ip address
  channel-group 1 mode active
!
interface Ethernet1/3
  ip address 10.0.0.201 255.255.255.0
  mpls ip
  bfd interval 50 min_rx 150 multiplier 3
!
interface Vlan200
  no ip address
  xconnect vfi VPLS_200

```

Example Configuring H-VPLS

Two sample configurations for H-VPLS follow: one example for an active PoA and the other for a standby PoA.

The figure below shows a sample topology for a H-VPLS configuration.



Priority L1 is Higher than Priority L2
 PW3, PW2 Primary
 PW4, PW1 Backup

277544

Active PoA for H-VPLS

The following H-VPLS sample configuration is for an active PoA:

```

mpls ldp graceful-restart
mpls label protocol ldp
!
redundancy
mode sso

```

```

interchassis group 1
 member ip 201.0.0.1
 backbone interface Ethernet0/2
 backbone interface Ethernet1/2
 backbone interface Ethernet1/3
 monitor peer bfd
 mlacp node-id 0
!
pseudowire-class mpls-dhd
 encapsulation mpls
 status peer topology dual-homed
!
interface Loopback0
 ip address 200.0.0.1 255.255.255.255
!
interface Port-channel1
 no ip address
 lacp fast-switchover
 lacp max-bundle 1
 mlacp interchassis group 1
 hold-queue 300 in
 service instance 1 ethernet
 encapsulation dot1q 100
 xconnect 210.0.0.1 10 pw-class mpls-dhd
 backup peer 211.0.0.1 10 pw-class mpls-dhd
!
interface Ethernet0/0
 no ip address
 channel-group 1 mode active
!
interface Ethernet1/3
 ip address 10.0.0.200 255.255.255.0
 mpls ip
 bfd interval 50 min_rx 150 multiplier 3

```

Standby PoA for H-VPLS

The following H-VPLS sample configuration is for a standby PoA:

```

mpls ldp graceful-restart
mpls label protocol ldp
!
Redundancy
 mode sso
 interchassis group 1
 member ip 200.0.0.1
 backbone interface Ethernet0/2
 backbone interface Ethernet1/2
 backbone interface Ethernet1/3
 monitor peer bfd
 mlacp node-id 1
!
pseudowire-class mpls-dhd
 encapsulation mpls
 status peer topology dual-homed
!
interface Loopback0
 ip address 201.0.0.1 255.255.255.255
!
interface Port-channel1
 no ip address
 lacp fast-switchover
 lacp max-bundle 1

```

```

mlacp lag-priority 40000
mlacp interchassis group 1
hold-queue 300 in
service instance 1 ethernet
  encapsulation dot1q 100
  xconnect 210.0.0.1 10 pw-class mpls-dhd
  backup peer 211.0.0.1 10 pw-class mpls-dhd
!
interface Ethernet1/0
no ip address
channel-group 1 mode active
!
interface Ethernet1/3
ip address 10.0.0.201 255.255.255.0
mpls ip
bfd interval 50 min_rx 150 multiplier 3

```

Example Verifying VPWS on an Active PoA

The following **show** commands can be used to display statistics and configuration parameters to verify the operation of the mLACP feature on an active PoA:

show lacp multichassis group

Use the **show lacp multichassis group** command to display the interchassis redundancy group value and the operational LACP parameters.

```

Router# show lacp multichassis group 100
Interchassis Redundancy Group 100
Operational LACP Parameters:
RG State:      Synchronized
System-Id:    200.000a.f331.2680
ICCP Version: 0
Backbone Uplink Status: Connected
Local Configuration:
Node-id:      0
System-Id:    200.000a.f331.2680
Peer Information:
State:        Up
Node-id:      7
System-Id:    2000.0014.6a8b.c680
ICCP Version: 0
State Flags: Active           - A
                Standby       - S
                Down           - D
                AdminDown     - AD
                Standby Reverting - SR
                Unknown        - U

mLACP Channel-groups
Channel  State      Priority      Active Links      Inactive Links
Group   Local/Peer Local/Peer     Local/Peer        Local/Peer
1       A/S        28000/32768   4/4               0/0

```

show lacp multichassis port-channel

Use the **show lacp multichassis port-channel** command to display the interface port-channel value channel group, LAG state, priority, inactive links peer configuration, and standby links.

```

Router# show lACP multichassis port-channel1
Interface Port-channel1
Local Configuration:
Address: 000a.f331.2680
Channel Group: 1
State: Active
LAG State: Up
Priority: 28000
Inactive Links: 0
Total Active Links: 4
    Bundled: 4
    Selected: 4
    Standby: 0
    Unselected: 0
Peer Configuration:
Interface: Port-channel1
Address: 0014.6a8b.c680
Channel Group: 1
State: Standby
LAG State: Up
Priority: 32768
Inactive Links: 0
Total Active Links: 4
    Bundled: 0
    Selected: 0
    Standby: 4
    Unselected: 0

```

show mpls ldp iccp

Use the **show mpls ldp iccp** command to display the LDP session and ICCP state information.

```

Router# show mpls ldp iccp

ICPM RGID Table
  iccp:
    rg_id: 100, peer addr: 172.3.3.3
    ldp_session 0x3, client_id 0
    iccp state: ICPM_ICCP_CONNECTED
    app type: MLACP
    app state: ICPM_APP_CONNECTED, ptcl ver: 0
ICPM RGID Table total ICCP sessions: 1
ICPM LDP Session Table
  iccp:
    rg_id: 100, peer addr: 172.3.3.3
    ldp_session 0x3, client_id 0
    iccp state: ICPM_ICCP_CONNECTED
    app type: MLACP
    app state: ICPM_APP_CONNECTED, ptcl ver: 0
ICPM LDP Session Table total ICCP sessions: 1

```

show mpls l2transport

Use the **show mpls l2transport** command to display the local interface and session details, destination address, and status.

```

Router# show mpls l2transport vc 2
Local intf      Local circuit          Dest address          VC ID      Status
-----

```

show etherchannel summary

```

Po1          Eth VLAN 2          172.2.2.2    2          UP
Po1          Eth VLAN 2          172.4.4.4    2          STANDBY

```

show etherchannel summary

Use the **show etherchannel summary** command to display the status and identity of the mLACP member links.

```

Router# show etherchannel summary
Flags: D - down          P - bundled in port-channel
       I - stand-alone  s - suspended
       H - Hot-standby (LACP only)
       R - Layer3       S - Layer2
       U - in use       f - failed to allocate aggregator
       M - not in use, minimum links not met
       u - unsuitable for bundling
       w - waiting to be aggregated
       d - default port
Number of channel-groups in use: 2
Number of aggregators:          2
Group  Port-channel  Protocol    Ports
-----+-----+-----+-----
1      Po1(RU)        LACP       Gi2/9(P)   Gi2/20(P)  Gi2/31(P)

```

show etherchannel number port-channel

Use the **show etherchannel number port-channel** command to display the status and identity of the EtherChannel and and port channel.

```

Router# show etherchannel 51 port-c

          Port-channels in the group:
          -----

Port-channel: Po51      (Primary Aggregator)

-----

Age of the Port-channel   = 0d:02h:25m:23s
Logical slot/port        = 14/11          Number of ports = 2
HotStandBy port         = null
Passive port list        = Gi9/15 Gi9/16
Port state                = Port-channel L3-Ag Ag-Inuse
Protocol                  = LACP
Fast-switchover          = enabled
Direct Load Swap         = disabled

Ports in the Port-channel:

Index  Load   Port      EC state      No of bits
-----+-----+-----+-----+-----
0      55     Gi9/15    mLACP-stdby   4
1      AA     Gi9/16    mLACP-stdby   4

Time since last port bundled: 0d:01h:03m:39s  Gi9/16
Time since last port Un-bundled: 0d:01h:03m:40s  Gi9/16

Last applied Hash Distribution Algorithm: Fixed Channel-group Iedge Counts:
-----:
Access ref count          : 0
Iedge session count      : 0

```

show lacp internal

Use the **show lacp internal** command to display the device, port, and member- link information.

```
Router# show lacp internal
Flags: S - Device is requesting Slow LACPDUs
       F - Device is requesting Fast LACPDUs
       A - Device is in Active mode           P - Device is in Passive mode
Channel group 1

```

Port	Flags	State	LACP port Priority	Admin Key	Oper Key	Port Number	Port State
Gi2/9	SA	bndl-act	28000	0x1	0x1	0x820A	0x3D
Gi2/20	SA	bndl-act	28000	0x1	0x1	0x8215	0x3D
Gi2/31	SA	bndl-act	28000	0x1	0x1	0x8220	0x3D
Gi2/40	SA	bndl-act	28000	0x1	0x1	0x8229	0x3D

```
Peer (MLACP-PE3) mLACP member links
Gi3/11 FA hot-sby 32768 0x1 0x1 0xF30C 0x5
Gi3/21 FA hot-sby 32768 0x1 0x1 0xF316 0x5
Gi3/32 FA hot-sby 32768 0x1 0x1 0xF321 0x7
Gi3/2 FA hot-sby 32768 0x1 0x1 0xF303 0x7
```

Example Verifying VPWS on a Standby PoA

The following **show** commands can be used to display statistics and configuration parameters to verify the operation of the mLACP feature on a standby PoA:

show lacp multichassis group

Use the **show lacp multichassis group** command to display the LACP parameters, local configuration, status of the backbone uplink, peer information, node ID, channel, state, priority active, and inactive links.

```
Router# show lacp multichassis group 100
Interchassis Redundancy Group 100
Operational LACP Parameters:
RG State: Synchronized
System-Id: 200.000a.f331.2680
ICCP Version: 0
Backbone Uplink Status: Connected
Local Configuration:
Node-id: 7
System-Id: 2000.0014.6a8b.c680
Peer Information:
State: Up
Node-id: 0
System-Id: 200.000a.f331.2680
ICCP Version: 0
State Flags: Active - A
              Standby - S
              Down - D
              AdminDown - AD
              Standby Reverting - SR
              Unknown - U

mLACP Channel-groups
Channel State Priority Active Links Inactive Links
Group Local/Peer Local/Peer Local/Peer Local/Peer
1 S/A 32768/28000 4/4 0/0
```

show lacp multichassis portchannel

Use the **show lacp multichassis portchannel** command to display the interface port-channel value channel group, LAG state, priority, inactive links peer configuration, and standby links.

```
Router# show lacp multichassis port-channel1
Interface Port-channel1
Local Configuration:
Address: 0014.6a8b.c680
Channel Group: 1
State: Standby
LAG State: Up
Priority: 32768
Inactive Links: 0
Total Active Links: 4
    Bundled: 0
    Selected: 0
    Standby: 4
    Unselected: 0
Peer Configuration:
Interface: Port-channel1
Address: 000a.f331.2680
Channel Group: 1
State: Active
LAG State: Up
Priority: 28000
Inactive Links: 0
Total Active Links: 4
    Bundled: 4
    Selected: 4
    Standby: 0
    Unselected: 0
```

show mpls ldp iccp

Use the **show mpls ldp iccp** command to display the LDP session and ICCP state information.

```
Router# show mpls ldp iccp
ICPM RGID Table
iccp:
  rg_id: 100, peer addr: 172.1.1.1
  ldp_session 0x2, client_id 0
  iccp state: ICPM_ICCP_CONNECTED
  app type: MLACP
  app state: ICPM_APP_CONNECTED, ptcl ver: 0
ICPM RGID Table total ICCP sessions: 1
ICPM LDP Session Table
iccp:
  rg_id: 100, peer addr: 172.1.1.1
  ldp_session 0x2, client_id 0
  iccp state: ICPM_ICCP_CONNECTED
  app type: MLACP
  app state: ICPM_APP_CONNECTED, ptcl ver: 0
ICPM LDP Session Table total ICCP sessions: 1
```

show mpls l2transport

Use the **show mpls l2transport** command to display the local interface and session details, destination address, and status.


```
Router# show mpls l2transport vc 2
-----
Local intf   Local circuit   Dest address   VC ID   Status
-----
Po1          Eth VLAN 2     172.2.2.2     2       STANDBY
Po1          Eth VLAN 2     172.4.4.4     2       STANDBY
```

show etherchannel summary

Use the **show etherchannel summary** command to display the status and identity of the mLACP member links.

```
Router# show etherchannel summary
Flags: D - down          P - bundled in port-channel
       I - stand-alone  s - suspended
       H - Hot-standby (LACP only)
       R - Layer3       S - Layer2
       U - in use       f - failed to allocate aggregator
       M - not in use, minimum links not met
       u - unsuitable for bundling
       w - waiting to be aggregated
       d - default port
Number of channel-groups in use: 2
Number of aggregators:          2
Group  Port-channel  Protocol    Ports
-----+-----+-----+-----
1      Po1(RU)          LACP        Gi3/2(P)   Gi3/11(P)  Gi3/21(P)
                          Gi3/32(P)
```

show lacp internal

Use the **show lacp internal** command to display the device, port, and member-link information.

```
Router# show lacp 1 internal
Flags: S - Device is requesting Slow LACPDUs
       F - Device is requesting Fast LACPDUs
       A - Device is in Active mode          P - Device is in Passive mode
Channel group 1

Port      Flags  State      LACP port  Admin  Oper  Port      Port
-----  -
Gi3/2     FA     bndl-sby  32768     0x1    0x1    0xF303    0x7
Gi3/11    FA     bndl-sby  32768     0x1    0x1    0xF30C    0x5
Gi3/21    FA     bndl-sby  32768     0x1    0x1    0xF316    0x5
Gi3/32    FA     bndl-sby  32768     0x1    0x1    0xF321    0x7
Peer (MLACP-PE1) mLACP member links
Gi2/20    SA     bndl      28000     0x1    0x1    0x8215    0x3D
Gi2/31    SA     bndl      28000     0x1    0x1    0x8220    0x3D
Gi2/40    SA     bndl      28000     0x1    0x1    0x8229    0x3D
Gi2/9     SA     bndl      28000     0x1    0x1    0x820A    0x3D
```

Example Verifying VPLS on an Active PoA

The following **show** commands can be used to display statistics and configuration parameters to verify the operation of the mLACP feature on an active PoA:

show lacp multichassis group

Use the **show lacp multichassis group** command to display the LACP parameters, local configuration, status of the backbone uplink, peer information, node ID, channel, state, priority active, and inactive links.

```
Router# show lacp multichassis group 100
Interchassis Redundancy Group 100
Operational LACP Parameters:
RG State:      Synchronized
System-Id:    200.000a.f331.2680
ICCP Version: 0
Backbone Uplink Status: Connected
Local Configuration:
Node-id:      0
System-Id:   200.000a.f331.2680
Peer Information:
State:        Up
Node-id:      7
System-Id:    2000.0014.6a8b.c680
ICCP Version: 0
State Flags: Active           - A
              Standby        - S
              Down           - D
              AdminDown      - AD
              Standby Reverting - SR
              Unknown        - U

mLACP Channel-groups
Channel  State      Priority      Active Links      Inactive Links
Group   Local/Peer  Local/Peer   Local/Peer        Local/Peer
  1      A/S         28000/32768  4/4                0/0
```

show lacp multichassis port-channel

Use the **show lacp multichassis port-channel** command to display the interface port-channel value channel group, LAG state, priority, inactive links peer configuration, and standby links.

```
Router# show lacp multichassis port-channel1
Interface Port-channel1
Local Configuration:
Address: 000a.f331.2680
Channel Group: 1
State: Active
LAG State: Up
Priority: 28000
Inactive Links: 0
Total Active Links: 4
    Bundled: 4
    Selected: 4
    Standby: 0
    Unselected: 0
Peer Configuration:
Interface: Port-channel1
Address: 0014.6a8b.c680
Channel Group: 1
State: Standby
LAG State: Up
Priority: 32768
Inactive Links: 0
Total Active Links: 4
    Bundled: 0
```

```

Selected: 0
Standby: 4
Unselected: 0

```

show mpls ldp iccp

Use the **show mpls ldp iccp** command to display the LDP session and ICCP state information.

```

Router# show mpls ldp iccp
ICPM RGID Table
  iccp:
    rg_id: 100, peer addr: 172.3.3.3
    ldp_session 0x3, client_id 0
    iccp state: ICPM_ICCP_CONNECTED
    app type: MLACP
      app state: ICPM_APP_CONNECTED, ptcl ver: 0
ICPM RGID Table total ICCP sessions: 1
ICPM LDP Session Table
  iccp:
    rg_id: 100, peer addr: 172.3.3.3
    ldp_session 0x3, client_id 0
    iccp state: ICPM_ICCP_CONNECTED
    app type: MLACP
      app state: ICPM_APP_CONNECTED, ptcl ver: 0
ICPM LDP Session Table total ICCP sessions: 1

```

show mpls l2transport

Use the **show mpls l2transport** command to display the local interface and session details, destination address, and the status.

```

Router# show mpls l2transport vc 4000
Local intf      Local circuit      Dest address      VC ID      Status
-----
VFI VPLS       VFI                 172.2.2.2        4000       UP
VFI VPLS       VFI                 172.4.4.4        4000       UP

```

show etherchannel summary

Use the **show etherchannel summary** command to display the status and identity of the mLACP member links.

```

Router# show etherchannel summary
Flags: D - down          P - bundled in port-channel
       I - stand-alone  s - suspended
       H - Hot-standby (LACP only)
       R - Layer3       S - Layer2
       U - in use       f - failed to allocate aggregator
       M - not in use, minimum links not met
       u - unsuitable for bundling
       w - waiting to be aggregated
       d - default port

Number of channel-groups in use: 2
Number of aggregators:          2
Group  Port-channel  Protocol    Ports
-----+-----+-----+-----
1     Po1 (RU)        LACP       Gi2/9 (P)  Gi2/20 (P)  Gi2/31 (P)
                                           Gi2/40 (P)

```

show lacp internal

Use the **show lacp internal** command to display the device, port, and member-link information.

```
Router# show lacp internal
Flags: S - Device is requesting Slow LACPDUs
       F - Device is requesting Fast LACPDUs
       A - Device is in Active mode           P - Device is in Passive mode
Channel group 1

```

Port	Flags	State	LACP port Priority	Admin Key	Oper Key	Port Number	Port State
Gi2/9	SA	bndl-act	28000	0x1	0x1	0x820A	0x3D
Gi2/20	SA	bndl-act	28000	0x1	0x1	0x8215	0x3D
Gi2/31	SA	bndl-act	28000	0x1	0x1	0x8220	0x3D
Gi2/40	SA	bndl-act	28000	0x1	0x1	0x8229	0x3D

```
Peer (MLACP-PE3) mLACP member links
Gi3/11 FA hot-sby 32768 0x1 0x1 0xF30C 0x5
Gi3/21 FA hot-sby 32768 0x1 0x1 0xF316 0x5
Gi3/32 FA hot-sby 32768 0x1 0x1 0xF321 0x7
Gi3/2 FA hot-sby 32768 0x1 0x1 0xF303 0x7
```

Example Verifying VPLS on a Standby PoA

The **show** commands in this section can be used to display statistics and configuration parameters to verify the operation of the mLACP feature:

show lacp multichassis group

Use the **show lacp multichassis group *interchassis group number*** command to display the LACP parameters, local configuration, status of the backbone uplink, peer information, node ID, channel, state, priority, active, and inactive links.

```
Router# show lacp multichassis group 100
Interchassis Redundancy Group 100
Operational LACP Parameters:
RG State: Synchronized
System-Id: 200.000a.f331.2680
ICCP Version: 0
Backbone Uplink Status: Connected
Local Configuration:
Node-id: 7
System-Id: 2000.0014.6a8b.c680
Peer Information:
State: Up
Node-id: 0
System-Id: 200.000a.f331.2680
ICCP Version: 0
State Flags: Active - A
              Standby - S
              Down - D
              AdminDown - AD
              Standby Reverting - SR
              Unknown - U

mLACP Channel-groups
Channel State Priority Active Links Inactive Links
Group Local/Peer Local/Peer Local/Peer Local/Peer
1 S/A 32768/28000 4/4 0/0
```

show lacp multichassis portchannel

Use the **show lacp multichassis portchannel** command to display the interface port-channel value channel group, LAG state, priority, inactive links peer configuration, and standby links.

```
Router# show lacp multichassis port-channel1
Interface Port-channel1
Local Configuration:
Address: 0014.6a8b.c680
Channel Group: 1
State: Standby
LAG State: Up
Priority: 32768
Inactive Links: 0
Total Active Links: 4
    Bundled: 0
    Selected: 0
    Standby: 4
    Unselected: 0
Peer Configuration:
Interface: Port-channel1
Address: 000a.f331.2680
Channel Group: 1
State: Active
LAG State: Up
Priority: 28000
Inactive Links: 0
Total Active Links: 4
    Bundled: 4
    Selected: 4
    Standby: 0
    Unselected: 0
```

show mpls ldp iccp

Use the **show mpls ldp iccp** command to display the LDP session and ICCP state information.

```
Router# show mpls ldp iccp
ICPM RGID Table
  iccp:
    rg_id: 100, peer addr: 172.1.1.1
    ldp_session 0x2, client_id 0
    iccp state: ICPM_ICCP_CONNECTED
    app type: MLACP
    app state: ICPM_APP_CONNECTED, ptcl ver: 0
ICPM RGID Table total ICCP sessions: 1
ICPM LDP Session Table
  iccp:
    rg_id: 100, peer addr: 172.1.1.1
    ldp_session 0x2, client_id 0
    iccp state: ICPM_ICCP_CONNECTED
    app type: MLACP
    app state: ICPM_APP_CONNECTED, ptcl ver: 0
ICPM LDP Session Table total ICCP sessions: 1
```

show mpls l2transport

Use the **show mpls l2transport** command to display the local interface and session details, destination address, and status.

```
Router# show mpls l2transport vc 4000
Local intf   Local circuit   Dest address   VC ID   Status
-----
VFI VPLS     VFI             172.2.2.2     4000    UP
VFI VPLS     VFI             172.4.4.4     4000    UP
```

showetherchannelsummary

Use the **show etherchannel summary** command to display the status and identity of the mLACP member links.

```
Router# show etherchannel summary

Flags: D - down          P - bundled in port-channel
       I - stand-alone  s - suspended
       H - Hot-standby (LACP only)
       R - Layer3       S - Layer2
       U - in use       f - failed to allocate aggregator
       M - not in use, minimum links not met
       u - unsuitable for bundling
       w - waiting to be aggregated
       d - default port

Number of channel-groups in use: 2
Number of aggregators:          2
Group Port-channel Protocol Ports
-----+-----+-----+-----
1      Po1(RU)          LACP  Gi3/2(P)  Gi3/11(P)  Gi3/21(P)
                                   Gi3/32(P)
```

show lacp internal

Use the **show lacp internal** command to display the device, port, and member- link information.

```
Router# show lacp 1 internal

Flags: S - Device is requesting Slow LACPDUs
       F - Device is requesting Fast LACPDUs
       A - Device is in Active mode         P - Device is in Passive mode

Channel group 1

Port      Flags  State  LACP port  Admin  Oper  Port      Port
Gi3/2     FA     bndl-sby 32768     0x1    0x1    0xF303    0x7
Gi3/11    FA     bndl-sby 32768     0x1    0x1    0xF30C    0x5
Gi3/21    FA     bndl-sby 32768     0x1    0x1    0xF316    0x5
Gi3/32    FA     bndl-sby 32768     0x1    0x1    0xF321    0x7
Peer (MLACP-PE1) mLACP member links
Gi2/20    SA     bndl     28000     0x1    0x1    0x8215    0x3D
Gi2/31    SA     bndl     28000     0x1    0x1    0x8220    0x3D
Gi2/40    SA     bndl     28000     0x1    0x1    0x8229    0x3D
Gi2/9     SA     bndl     28000     0x1    0x1    0x820A    0x3D
```

Additional References

Related Documents

Related Topic	Document Title
Carrier Ethernet configurations	<i>Cisco IOS Carrier Ethernet Configuration Guide , Release 12.2SR</i>
Carrier Ethernet commands: complete command syntax, command mode, command history, defaults, usage guidelines, and examples	<i>Cisco IOS Carrier Ethernet Command Reference</i>
Cisco IOS commands: master list of commands with complete command syntax, command mode, command history, defaults, usage guidelines, and examples	Cisco IOS Master Command List, All Releases

Standards

Standard	Title
IEEE 802.3ad	<i>Link Aggregation Control Protocol</i>
IEEE 802.1ak	<i>Multiple Registration Protocol</i>

MIBs

MIB	MIBs Link
<ul style="list-style-type: none"> • Cisco-LAG-MIB • IEEE 802.3ad-MIB • IEEE8023LAG-MIB 	To locate and download MIBs for selected platforms, Cisco software releases, and feature sets, use Cisco MIB Locator found at the following URL: http://www.cisco.com/go/mibs

RFCs

RFC	Title
RFC 4762	<i>Virtual Private LAN Service (VPLS) Using Label Distribution Protocol (LDP) Signaling</i>
RFC 4447	<i>Pseudowire Setup and Maintenance Using the Label Distribution Protocol (LDP)</i>

Technical Assistance

Description	Link
The Cisco Support and Documentation website provides online resources to download documentation, software, and tools. Use these resources to install and configure the software and to troubleshoot and resolve technical issues with Cisco products and technologies. Access to most tools on the Cisco Support and Documentation website requires a Cisco.com user ID and password.	http://www.cisco.com/cisco/web/support/index.html

Feature Information for mLACP

The following table provides release information about the feature or features described in this module. This table lists only the software release that introduced support for a given feature in a given software release train. Unless noted otherwise, subsequent releases of that software release train also support that feature.

Use Cisco Feature Navigator to find information about platform support and Cisco software image support. To access Cisco Feature Navigator, go to www.cisco.com/go/cfn. An account on Cisco.com is not required.

Table 2: Feature Information for mLACP

Feature Name	Releases	Feature Information
Multichassis LACP (mLACP)		<p>Cisco's mLACP feature addresses the need for interchassis redundancy mechanisms when a carrier wants to dual home a device to two upstream PoAs for redundancy. The mLACP feature enhances the 802.3ad LACP implementation to meet this requirement.</p> <p>The following commands were introduced or modified: backbone interface, debug acircuit checkpoint, debug lacp, ethernet mac-flush mirp notification, interchassis group, lacp failover, lacp max-bundle, lacp min-bundle, member ip, mlacp interchassis group, mlacp lag-priority, mlacp node-id, mlacp system-mac, mlacp system-priority, monitor peer bfd, redundancy, show ethernet service instance interface port-channel, show ethernet service instance id mac-tunnel, show lacp, status decoupled, status peer topology dual-homed.</p>

Glossary

active attachment circuit—The link that is actively forwarding traffic between the DHD and the active PoA.

active PW—The pseudowire that is forwarding traffic on the active PoA.

BD—bridge domain.

BFD—bidirectional forwarding detection.

DHD—dual-homed device. A node that is connected to two switches over a multichassis link aggregation group for the purpose of redundancy.

- DHN**—dual-homed network. A network that is connected to two switches to provide redundancy.
- H-VPLS**—Hierarchical Virtual Private LAN Service.
- ICC**—Interchassis Communication Channel.
- ICCP**—Interchassis Communication Protocol.
- ICPM**—Interchassis Protocol Manager.
- ICRM**—Interchassis Redundancy Manager.
- LACP**—Link Aggregation Control Protocol.
- LAG**—link aggregation group.
- LDP**—Link Distribution Protocol.
- MCEC**—Multichassis EtherChannel.
- mLACP**—Multichassis LACP.
- PoA**—point of attachment. One of a pair of switches running multichassis link aggregation group with a DHD.
- PW-RED**—pseudowire redundancy.
- standby attachment circuit**—The link that is in standby mode between the DHD and the standby PoA.
- standby PW**—The pseudowire that is in standby mode on either an active or a standby PoA.
- uPE**—user-facing Provider Edge.
- VPLS**—Virtual Private LAN Service.
- VPWS**—Virtual Private Wire Service.

