

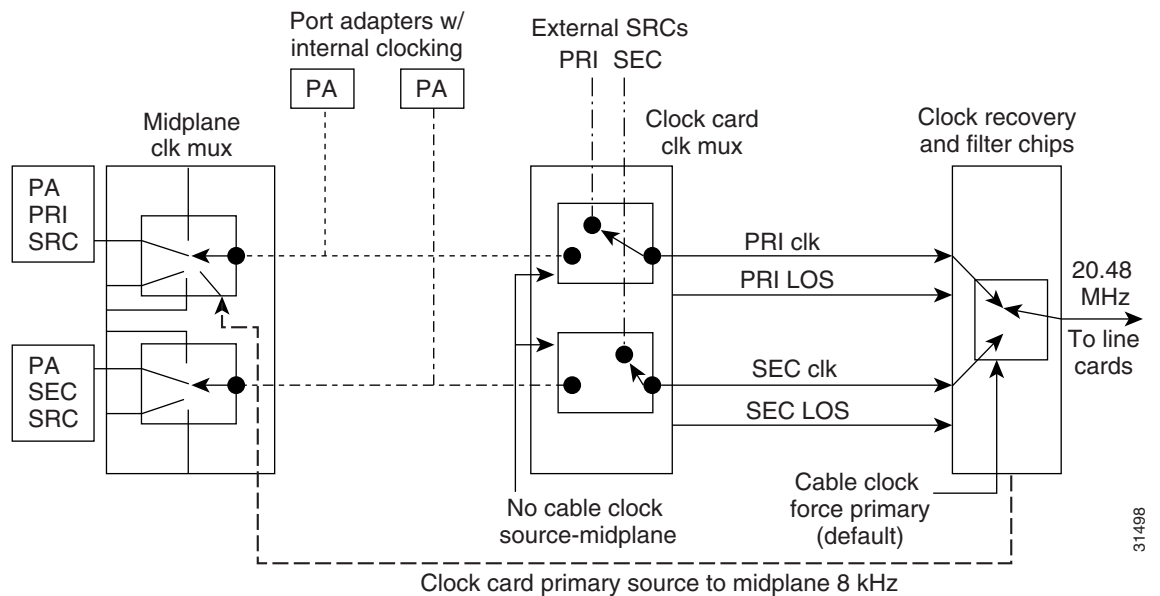


APPENDIX **A**

Clock Source Paths

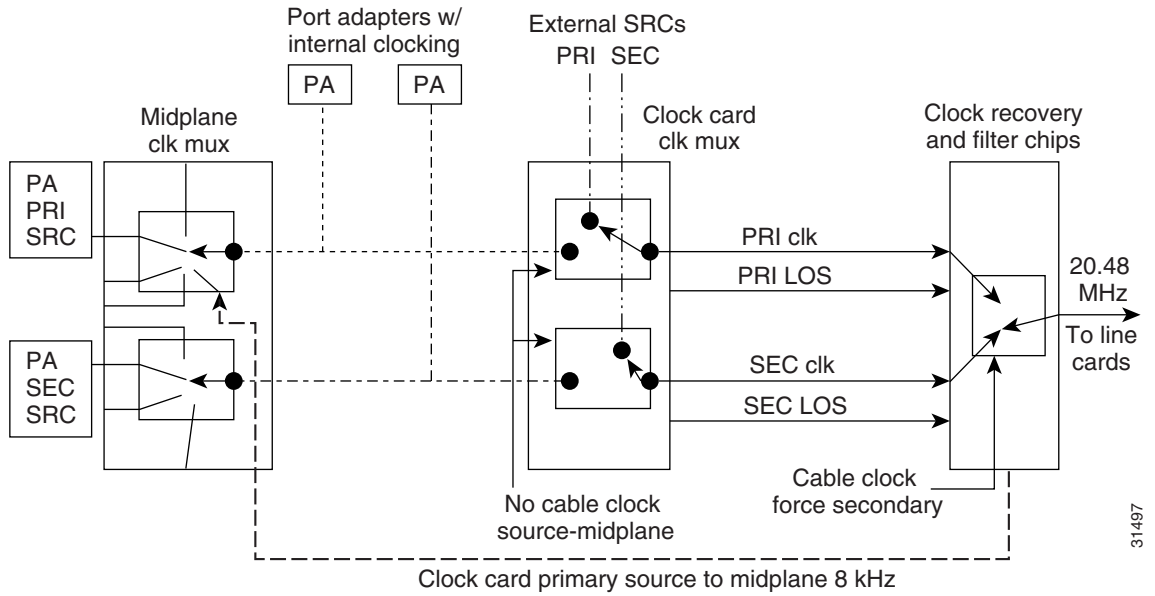
The schematics in this appendix display the various clock source paths established by the Cisco Cable Clock Card in a Cisco uBR7246 VXR depending on your external connection(s) and configuration.

Figure A-1 Primary External Clock Source



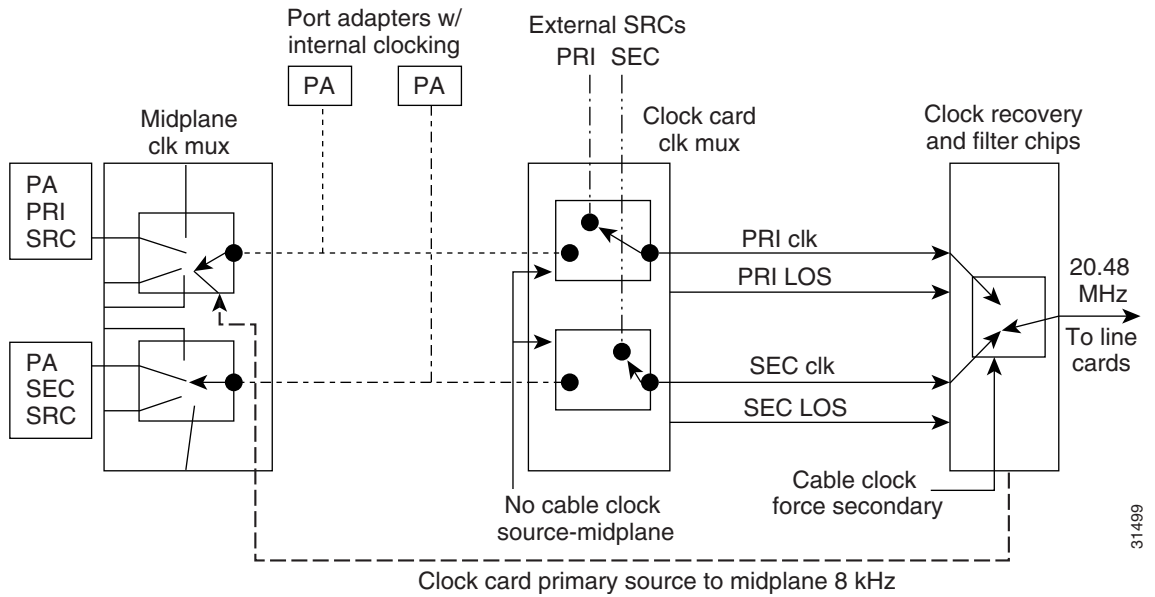
31498

Figure A-2 Secondary External Clock Source



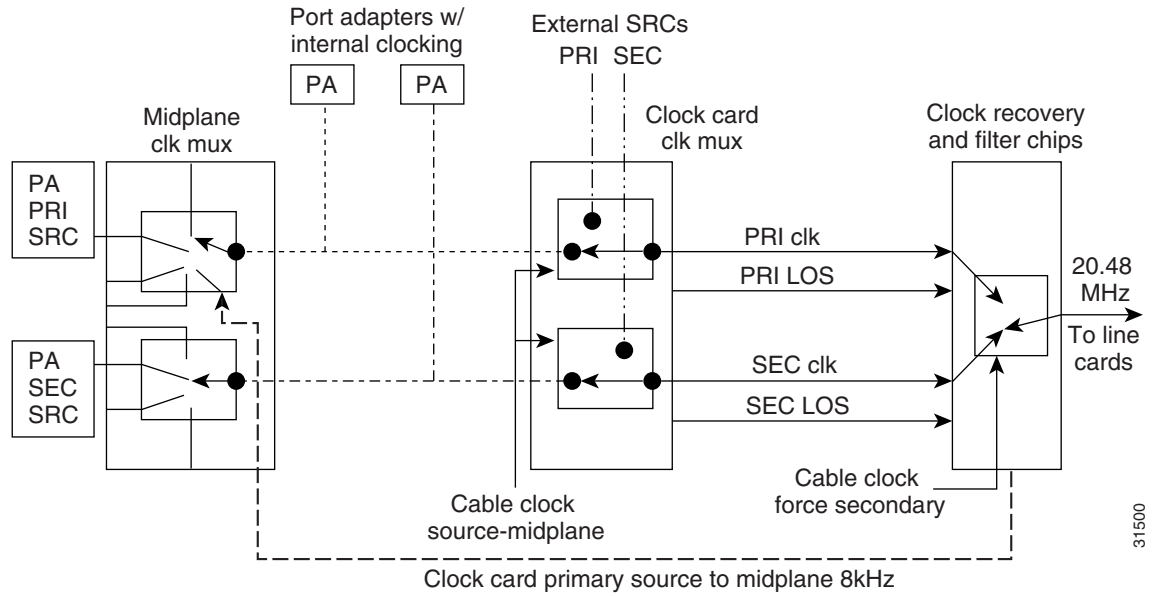
31497

Figure A-3 Secondary External Clock Source Driving Midplane



31499

Figure A-4 Secondary Internal Clock Source



31500

