



## **Cisco Nexus 3600 Switch NX-OS Interfaces Configuration Guide, Release 10.6(x)**

**First Published:** 2025-08-13

**Last Modified:** 2025-12-14

### **Americas Headquarters**

Cisco Systems, Inc.  
170 West Tasman Drive  
San Jose, CA 95134-1706  
USA  
<http://www.cisco.com>  
Tel: 408 526-4000  
800 553-NETS (6387)  
Fax: 408 527-0883

THE SPECIFICATIONS AND INFORMATION REGARDING THE PRODUCTS REFERENCED IN THIS DOCUMENTATION ARE SUBJECT TO CHANGE WITHOUT NOTICE. EXCEPT AS MAY OTHERWISE BE AGREED BY CISCO IN WRITING, ALL STATEMENTS, INFORMATION, AND RECOMMENDATIONS IN THIS DOCUMENTATION ARE PRESENTED WITHOUT WARRANTY OF ANY KIND, EXPRESS OR IMPLIED.

The Cisco End User License Agreement and any supplemental license terms govern your use of any Cisco software, including this product documentation, and are located at <https://www.cisco.com/c/en/us/about/legal/cloud-and-software/software-terms.html>. Cisco product warranty information is available at <https://www.cisco.com/c/en/us/products/warranty-listing.html>. US Federal Communications Commission Notices are found here <https://www.cisco.com/c/en/us/products/us-fcc-notice.html>.

IN NO EVENT SHALL CISCO OR ITS SUPPLIERS BE LIABLE FOR ANY INDIRECT, SPECIAL, CONSEQUENTIAL, OR INCIDENTAL DAMAGES, INCLUDING, WITHOUT LIMITATION, LOST PROFITS OR LOSS OR DAMAGE TO DATA ARISING OUT OF THE USE OR INABILITY TO USE THIS MANUAL, EVEN IF CISCO OR ITS SUPPLIERS HAVE BEEN ADVISED OF THE POSSIBILITY OF SUCH DAMAGES.

Any products and features described herein as in development or available at a future date remain in varying stages of development and will be offered on a when-and if-available basis. Any such product or feature roadmaps are subject to change at the sole discretion of Cisco and Cisco will have no liability for delay in the delivery or failure to deliver any products or feature roadmap items that may be set forth in this document.

Any Internet Protocol (IP) addresses and phone numbers used in this document are not intended to be actual addresses and phone numbers. Any examples, command display output, network topology diagrams, and other figures included in the document are shown for illustrative purposes only. Any use of actual IP addresses or phone numbers in illustrative content is unintentional and coincidental.

The documentation set for this product strives to use bias-free language. For the purposes of this documentation set, bias-free is defined as language that does not imply discrimination based on age, disability, gender, racial identity, ethnic identity, sexual orientation, socioeconomic status, and intersectionality. Exceptions may be present in the documentation due to language that is hardcoded in the user interfaces of the product software, language used based on RFP documentation, or language that is used by a referenced third-party product.

Cisco and the Cisco logo are trademarks or registered trademarks of Cisco and/or its affiliates in the U.S. and other countries. To view a list of Cisco trademarks, go to this URL: <https://www.cisco.com/c/en/us/about/legal/trademarks.html>. Third-party trademarks mentioned are the property of their respective owners. The use of the word partner does not imply a partnership relationship between Cisco and any other company. (1721R)

© 2025 Cisco Systems, Inc. All rights reserved.



## CONTENTS

---

### PREFACE

<b>Preface</b>	<b>xi</b>
Audience	xi
Document Conventions	xi
Related Documentation for Cisco Nexus 3600 Platform Switches	xii
Documentation Feedback	xii
Communications, Services, and Additional Information	xii

---

### CHAPTER 1

<b>New and Changed Information</b>	<b>1</b>
New and Changed Information	1

---

### CHAPTER 2

<b>Overview</b>	<b>3</b>
Licensing requirements	3
Supported platforms	3

---

### CHAPTER 3

<b>Configuring Basic Interface Parameters</b>	<b>5</b>
About the Basic Interface Parameters	5
Description	5
Beacon	5
Error Disabled	5
MDIX	6
Interface Status Error Policy	6
Modifying Interface MTU Size	6
Bandwidth	7
Throughput Delay	7
Administrative Status	7
Unidirectional Link Detection Parameter	8

UDLD Overview	8
Default UDLD Configuration	9
UDLD Normal and Aggressive Modes	9
Port-Channel Parameters	10
Port Profiles	10
Guidelines and Limitations	12
Default Settings	13
Configuring the Basic Interface Parameters	13
Specifying the Interfaces to Configure	13
Configuring the Description	15
Configuring the Beacon Mode	17
Configuring the Error-Disabled State	18
Enabling the Error-Disabled Recovery	18
Enabling the Error-Disable Detection	19
Configuring the Error-Disabled Recovery Interval	20
Configuring the MDIX Parameter	21
Configuring the MTU Size	23
Configuring the MTU Size	23
Configuring the System Jumbo MTU Size	23
Configuring the Bandwidth	25
Configuring the Throughput Delay	26
Shutting Down and Activating the Interface	28
Configuring the UDLD Mode	29
Configuring Debounce Timers	33
Configuring Port Profiles	34
Create a port profile	34
Enter port-profile configuration mode	35
Assign a port profile to a range of interfaces	36
Enable a specific port profile	37
Inherit a port profile	39
Remove a port profile from a range of interfaces	40
Remove an inherited port profile	41
Configuring DWDM	42
Configuring 25G Autonegotiation	43

Guidelines and Limitations for 25G Autonegotiation	43
Enabling FEC Manually on an Interface	44
Enabling Autonegotiation	44
Disabling Autonegotiation	45
Verifying the Basic Interface Parameters	46
Monitoring the Interface Counters	47
Displaying Interface Statistics	47
Clearing Interface Counters	48

**CHAPTER 4****Configuring Layer 2 Interfaces 51**

Information About Ethernet Interfaces	51
Interface Command	51
Unidirectional Link Detection Parameter	52
Default UDLD Configuration	52
UDLD Aggressive and Nonaggressive Modes	53
Guidelines and Limitations for Layer 2 Interfaces	53
Interface Speed	53
40-Gigabit Ethernet Interface Speed	54
SVI Autostate	54
Cisco Discovery Protocol	55
Default CDP Configuration	55
Error-Disabled State	55
Default Interfaces	56
Debounce Timer Parameters	56
MTU Configuration	57
Counter Values	57
Downlink Delay	58
Default Physical Ethernet Settings	58
Displaying Interface Information	59

**CHAPTER 5****Configuring Layer 3 Interfaces 63**

Information About Layer 3 Interfaces	63
Routed Interfaces	63
Subinterfaces	64

VLAN Interfaces	65
Changing VRF Membership for an Interface	66
Notes About Changing VRF Membership for an Interface	66
Loopback Interfaces	67
IP Unnumbered	67
Tunnel Interfaces	67
Guidelines and Limitations for Layer 3 Interfaces	67
Default Settings for Layer 3 Interfaces	68
SVI Autostate Disable	68
Configuring Layer 3 Interfaces	68
Configuring a Routed Interface	68
Configuring a Subinterface	69
Configuring the Bandwidth on an Interface	70
Configuring a VLAN Interface	71
Enabling Layer 3 Retention During VRF Membership Change	72
Configuring a Loopback Interface	73
Configuring IP Unnumbered on an Ethernet Interface	74
Assigning an Interface to a VRF	75
Configuring an Interface MAC Address	76
Configuring a MAC-Embedded IPv6 Address	77
Configuring SVI Autostate Disable	79
Configuring a DHCP Client on an Interface	80
Verifying the Layer 3 Interfaces Configuration	81
Monitoring Layer 3 Interfaces	82
Configuration Examples for Layer 3 Interfaces	83
Related Documents for Layer 3 Interfaces	84

---

**CHAPTER 6**

<b>Configuring Port Channels</b>	<b>85</b>
Information About Port Channels	85
Understanding Port Channels	86
Compatibility Requirements	86
Load Balancing Using Port Channels	88
Symmetric Hashing	89
Understanding LACP	90

LACP Overview	90	
LACP ID Parameters	91	
Channel Modes	91	
LACP Marker Responders	92	
LACP-Enabled and Static Port Channel Differences	92	
LACP Port Channel Minimum Links and MaxBundle	93	
Guidelines and Limitations	93	
Configuring Port Channels	94	
Creating a Port Channel	94	
Adding a Port to a Port Channel	95	
Configuring Load Balancing Using Port Channels	96	
Enabling LACP	97	
Configuring the Channel Mode for a Port	98	
Configuring LACP Port Channel MinLinks	99	
Configuring the LACP Port-Channel MaxBundle	100	
Configuring the LACP Fast Timer Rate	102	
Configuring the LACP System Priority and System ID	103	
Configuring the LACP Port Priority	104	
Disabling LACP Graceful Convergence	104	
Reenabling LACP Graceful Convergence	106	
Verifying Port Channel Configuration	107	
Triggering the Port Channel Membership Consistency Checker	108	
Verifying the Load-Balancing Outgoing Port ID	109	
Port Profiles	109	
Configuring Port Profiles	111	
Creating a Port Profile	111	
Entering Port-Profile Configuration Mode and Modifying a Port Profile	112	
Assigning a Port Profile to a Range of Interfaces	113	
Enabling a Specific Port Profile	114	
Inheriting a Port Profile	115	
Removing a Port Profile from a Range of Interfaces	116	
Removing an Inherited Port Profile	117	
<b>CHAPTER 7</b>	<b>Configuring Virtual Port Channels</b>	<b>119</b>

Information About vPCs	120
vPC Overview	120
Terminology	121
vPC Terminology	121
vPC Domain	121
Peer-Keepalive Link and Messages	122
Compatibility Parameters for vPC Peer Links	123
Configuration Parameters That Must Be Identical	123
Configuration Parameters That Should Be Identical	124
Per-VLAN Consistency Check	125
vPC Auto-Recovery	125
vPC Peer Links	125
vPC Peer Link Overview	126
vPC Number	127
vPC Interactions with Other Features	127
vPC and LACP	127
vPC Peer Links and STP	127
CFSOE	128
vPC Forklift Upgrade Scenario	128
Guidelines and Limitations for vPCs	131
Verifying the vPC Configuration	132
Viewing the Graceful Type-1 Check Status	132
Viewing a Global Type-1 Inconsistency	133
Viewing an Interface-Specific Type-1 Inconsistency	134
Viewing a Per-VLAN Consistency Status	135
vPC Default Settings	138
Configuring vPCs	138
Enabling vPCs	138
Disabling vPCs	139
Creating a vPC Domain	139
Configuring a vPC Keepalive Link and Messages	140
Creating a vPC Peer Link	143
Checking the Configuration Compatibility	144
Enabling vPC Auto-Recovery	145

Configuring the Restore Time Delay	146
Excluding VLAN Interfaces from Shutting Down a vPC Peer Link Fails	147
Configuring the VRF Name	148
Moving Other Port Channels into a vPC	149
Manually Configuring a vPC Domain MAC Address	150
Manually Configuring the System Priority	151
Manually Configuring a vPC Peer Switch Role	152
Configuring Layer 3 over vPC	153





## Preface

---

This preface includes the following sections:

- [Audience, on page xi](#)
- [Document Conventions, on page xi](#)
- [Related Documentation for Cisco Nexus 3600 Platform Switches, on page xii](#)
- [Documentation Feedback, on page xii](#)
- [Communications, Services, and Additional Information, on page xii](#)

## Audience

This publication is for network administrators who install, configure, and maintain Cisco Nexus switches.

## Document Conventions

Command descriptions use the following conventions:

Convention	Description
<b>bold</b>	Bold text indicates the commands and keywords that you enter literally as shown.
<i>Italic</i>	Italic text indicates arguments for which the user supplies the values.
[x]	Square brackets enclose an optional element (keyword or argument).
[x   y]	Square brackets enclosing keywords or arguments separated by a vertical bar indicate an optional choice.
{x   y}	Braces enclosing keywords or arguments separated by a vertical bar indicate a required choice.
[x {y   z}]	Nested set of square brackets or braces indicate optional or required choices within optional or required elements. Braces and a vertical bar within square brackets indicate a required choice within an optional element.

Convention	Description
<i>variable</i>	Indicates a variable for which you supply values, in context where italics cannot be used.
string	A nonquoted set of characters. Do not use quotation marks around the string or the string will include the quotation marks.

Examples use the following conventions:

Convention	Description
<code>screen font</code>	Terminal sessions and information the switch displays are in screen font.
<b>boldface screen font</b>	Information you must enter is in boldface screen font.
<i>italic screen font</i>	Arguments for which you supply values are in italic screen font.
<>	Nonprinting characters, such as passwords, are in angle brackets.
[ ]	Default responses to system prompts are in square brackets.
!, #	An exclamation point (!) or a pound sign (#) at the beginning of a line of code indicates a comment line.

## Related Documentation for Cisco Nexus 3600 Platform Switches

The entire Cisco Nexus 3600 platform switch documentation set is available at the following URL:

<http://www.cisco.com/c/en/us/support/switches/nexus-3000-series-switches/tsd-products-support-series-home.html>

## Documentation Feedback

To provide technical feedback on this document, or to report an error or omission, please send your comments to [nexus3k-docfeedback@cisco.com](mailto:nexus3k-docfeedback@cisco.com). We appreciate your feedback.

## Communications, Services, and Additional Information

- To receive timely, relevant information from Cisco, sign up at [Cisco Profile Manager](#).
- To get the business results you're looking for with the technologies that matter, visit [Cisco Services](#).
- To submit a service request, visit [Cisco Support](#).
- To discover and browse secure, validated enterprise-class apps, products, solutions and services, visit [Cisco DevNet](#).
- To obtain general networking, training, and certification titles, visit [Cisco Press](#).
- To find warranty information for a specific product or product family, access [Cisco Warranty Finder](#).

### **Cisco Bug Search Tool**

[Cisco Bug Search Tool](#) (BST) is a web-based tool that acts as a gateway to the Cisco bug tracking system that maintains a comprehensive list of defects and vulnerabilities in Cisco products and software. BST provides you with detailed defect information about your products and software.





# CHAPTER 1

## New and Changed Information

---

- [New and Changed Information](#), on page 1

## New and Changed Information

*Table 1: New and Changed Features*

Feature	Description	Changed in Release	Where Documented
NA	No feature updates for this release.	10.6(1)F	NA





## CHAPTER 2

### Overview

---

- [Licensing requirements, on page 3](#)
- [Supported platforms, on page 3](#)

### Licensing requirements

See the [Cisco NX-OS Licensing Guide](#) and [Cisco NX-OS Licensing Options Guide](#) for Cisco NX-OS licensing recommendations and instructions to obtain and apply licenses.

### Supported platforms

See the [Nexus Switch Platform Support Matrix](#) to know from which Cisco NX-OS releases various Cisco Nexus 9000 and 3000 switches support a selected feature.





## CHAPTER 3

# Configuring Basic Interface Parameters

---

This chapter describes how to configure the basic interface parameters on Cisco NX-OS devices.

- [About the Basic Interface Parameters, on page 5](#)
- [Guidelines and Limitations, on page 12](#)
- [Default Settings, on page 13](#)
- [Configuring the Basic Interface Parameters, on page 13](#)
- [Verifying the Basic Interface Parameters, on page 46](#)
- [Monitoring the Interface Counters, on page 47](#)

## About the Basic Interface Parameters

Following parameters are supported on Cisco Nexus 3548 switches:

### Description

For the Ethernet and management interfaces, you can configure the description parameter to provide a recognizable name for the interface. Using a unique name for each interface allows you to quickly identify the interface when you are looking at a listing of multiple interfaces.

For information about setting the description parameter for port-channel interfaces, see the “Configuring a Port-Channel Description” section. For information about configuring this parameter for other interfaces, see the “Configuring the Description” section.

### Beacon

The beacon mode allows you to identify a physical port by flashing its link state LED with a green light. By default, this mode is disabled. To identify the physical port for an interface, you can activate the beacon parameter for the interface.

For information about configuring the beacon parameter, see the “Configuring the Beacon Mode” section.

### Error Disabled

A port is in the error-disabled (err-disabled) state when the port is enabled administratively (using the **no shutdown** command) but disabled at runtime by any process. For example, if UDLD detects a unidirectional

link, the port is shut down at runtime. However, because the port is administratively enabled, the port status displays as err-disable. Once a port goes into the err-disable state, you must manually reenabling it or you can configure a timeout value that provides an automatic recovery. By default, the automatic recovery is not configured, and by default, the err-disable detection is enabled for all causes.

When an interface is in the err-disabled state, use the **errdisable detect cause** command to find information about the error.

You can configure the automatic error-disabled recovery timeout for a particular error-disabled cause and configure the recovery period.

The **errdisable recovery cause** command provides an automatic recovery after 300 seconds.

You can use the **errdisable recovery interval** command to change the recovery period within a range of 30 to 65535 seconds. You can also configure the recovery timeout for a particular err-disable cause.

If you do not enable the error-disabled recovery for the cause, the interface stays in the error-disabled state until you enter the **shutdown** and **no shutdown** commands. If the recovery is enabled for a cause, the interface is brought out of the error-disabled state and allowed to retry operation once all the causes have timed out. Use the **show interface status err-disabled** command to display the reason behind the error.

## MDIX

The medium dependent interface crossover (MDIX) parameter enables or disables the detection of a crossover connection between devices. This parameter applies only to copper interfaces. By default, this parameter is enabled.

For information about configuring the MDIX parameter, see the [Configuring the MDIX Parameter](#) section.

## Interface Status Error Policy

Cisco NX-OS policy servers such as Access Control List (ACL) Manager and Quality of Service (QoS) Manager, maintain a policy database. A policy is defined through the command-line interface.

Policies are pushed when you configure a policy on an interface to ensure that policies that are pushed are consistent with the hardware policies. To clear the errors and to allow the policy programming to proceed with the running configuration, enter the **no shutdown** command. If the policy programming succeeds, the port is allowed to come up. If the policy programming fails, the configuration is inconsistent with the hardware policies and the port is placed in an error-disabled policy state. The error-disabled policy state remains and the information is stored to prevent the same port from being brought up in the future. This process helps to avoid unnecessary disruption to the system.

## Modifying Interface MTU Size

The maximum transmission unit (MTU) size specifies the maximum frame size that an Ethernet port can process. For transmissions to occur between two ports, you must configure the same MTU size for both ports. A port drops any frames that exceed its MTU size.

Cisco NX-OS allows you to configure MTU on an interface, with options to configure it on different level in the protocol stack. By default, each interface has an MTU of 1500 bytes, which is the IEEE 802.3 standard for Ethernet frames. Larger MTU sizes are possible for more efficient processing of data to allow different application requirements. The larger frames, are also called jumbo frames, can be up to 9216 bytes in size.

MTU is configured per interface, where an interface can be a Layer 2 or a Layer 3 interface. For a Layer 2 interface, you can configure the MTU size with one of two values, the value system default MTU value or the system jumbo MTU value. The system default MTU value is 1500 bytes. Every Layer 2 interface is configured with this value by default. You can configure an interface with the default system jumbo MTU value, that is 9216 bytes. To allow an MTU value from 1500 through 9216, you must adjust the system jumbo MTU to an appropriate value where interface can be configured with the same value.



---

**Note** You can change the system jumbo MTU size. When the value is changed, the Layer 2 interfaces that use the system jumbo MTU value, will automatically changes to the new system jumbo MTU value.

---

A Layer 3 interface, can be Layer 3 physical interface (configure with no switchport), switch virtual interface (SVI), and sub-interface, you can configure an MTU size between 576 and 9216 bytes.

For information about setting the MTU size, see the *Configuring the MTU Size* section.

## Bandwidth

Ethernet ports have a fixed bandwidth of 1,000,000 Kb at the physical layer. Layer 3 protocols use a bandwidth value that you can set for calculating their internal metrics. The value that you set is used for informational purposes only by the Layer 3 protocols—it does not change the fixed bandwidth at the physical layer. For example, the Enhanced Interior Gateway Routing Protocol (EIGRP) uses the minimum path bandwidth to determine a routing metric, but the bandwidth at the physical layer remains at 1,000,000 Kb.

For information about configuring the bandwidth parameter for port-channel interfaces, see the “Configuring the Bandwidth and Delay for Informational Purposes” section. For information about configuring the bandwidth parameter for other interfaces, see the “Configuring the Bandwidth” section.

## Throughput Delay

Specifying a value for the throughput-delay parameter provides a value used by Layer 3 protocols; it does not change the actual throughput delay of an interface. The Layer 3 protocols can use this value to make operating decisions. For example, the Enhanced Interior Gateway Routing Protocol (EIGRP) can use the delay setting to set a preference for one Ethernet link over another, if other parameters such as link speed are equal. The delay value that you set is in the tens of microseconds.

For information about configuring the bandwidth parameter for port-channel interfaces, see the “Configuring the Bandwidth and Delay for Informational Purposes” section. For information about configuring the throughput-delay parameter for other interfaces, see the “Configuring the Throughput Delay” section.

## Administrative Status

The administrative-status parameter determines whether an interface is up or down. When an interface is administratively down, it is disabled and unable to transmit data. When an interface is administratively up, it is enabled and able to transmit data.

For information about configuring the administrative status parameter for port-channel interfaces, see the “Shutting Down and Restarting the Port-Channel Interface” section. For information about configuring the administrative-status parameter for other interfaces, see the “Shutting Down and Activating the Interface” section.

# Unidirectional Link Detection Parameter

## UDLD Overview

The Cisco-proprietary Unidirectional Link Detection (UDLD) protocol allows devices that are connected through fiber-optic or copper (for example, Category 5 cabling) Ethernet cables to monitor the physical configuration of the cables and detect when a unidirectional link exists. When a device detects a unidirectional link, UDLD shuts down the affected LAN port and alerts the user. Unidirectional links can cause a variety of problems.

UDLD performs tasks that autonegotiation cannot perform, such as detecting the identities of neighbors and shutting down misconnected LAN ports. When you enable both autonegotiation and UDLD, Layer 1 detections work to prevent physical and logical unidirectional connections and the malfunctioning of other protocols.

A unidirectional link occurs whenever traffic transmitted by the local device over a link is received by the neighbor but traffic transmitted from the neighbor is not received by the local device. If one of the fiber strands in a pair is disconnected, as long as autonegotiation is active, the link does not stay up. In this case, the logical link is undetermined, and UDLD does not take any action. If both fibers are working normally at Layer 1, UDLD determines whether those fibers are connected correctly and whether traffic is flowing bidirectionally between the correct neighbors. This check cannot be performed by autonegotiation, because autonegotiation operates at Layer 1.

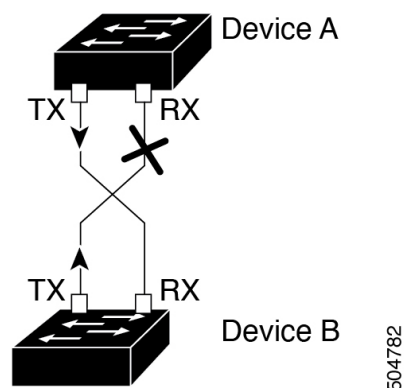
The Cisco Nexus device periodically transmits UDLD frames to neighbor devices on LAN ports with UDLD enabled. If the frames are echoed back within a specific time frame and they lack a specific acknowledgment (echo), the link is flagged as unidirectional and the LAN port is shut down. Devices on both ends of the link must support UDLD in order for the protocol to successfully identify and disable unidirectional links. You can configure the transmission interval for the UDLD frames, either globally or for the specified interfaces.



**Note** By default, UDLD is locally disabled on copper LAN ports to avoid sending unnecessary control traffic on this type of media.

The figure shows an example of a unidirectional link condition. Device B successfully receives traffic from device A on the port. However, device A does not receive traffic from device B on the same port. UDLD detects the problem and disables the port.

*Figure 1: Unidirectional Link*



## Default UDLD Configuration

The following table shows the default UDLD configuration.

**Table 2: UDLD Default Configuration**

Feature	Default Value
UDLD global enable state	Globally disabled
UDLD per-port enable state for fiber-optic media	Enabled on all Ethernet fiber-optic LAN ports
UDLD per-port enable state for twisted-pair (copper) media	Disabled on all Ethernet 10/100 and 1000BASE-TX LAN ports
UDLD aggressive mode	Disabled
UDLD message interval	15 seconds

For information about configuring the UDLD for the device and its port, see the “Configuring the UDLD Mode” section.

## UDLD Normal and Aggressive Modes

UDLD supports Normal and Aggressive modes of operation. By default, Normal mode is enabled.

In Normal mode, UDLD detects the following link errors by examining the incoming UDLD packets from the peer port:

- Empty echo packet
- Uni-direction
- TX/RX loop
- Neighbor mismatch

By default, UDLD aggressive mode is disabled. You can configure UDLD aggressive mode only on point-to-point links between network devices that support UDLD aggressive mode.

If UDLD aggressive mode is enabled, when a port on a bidirectional link that has a UDLD neighbor relationship established stops receiving UDLD frame, UDLD tries to re-establish the connection with the neighbor. After eight failed retries, the port is disabled.

In the following scenarios, enabling the UDLD aggressive mode disables one of the ports to prevent the discarding of traffic.

- One side of a link has a port stuck (both transmission and receive)
- One side of a link remains up while the other side of the link is down




---

**Note** You enable the UDLD aggressive mode globally to enable that mode on all the fiber ports. You must enable the UDLD aggressive mode on copper ports on specified interfaces.

---



**Tip** When a line card upgrade is being performed during an in-service software upgrade (ISSU) and some of the ports on the line card are members of a Layer 2 port channel and are configured with UDLD aggressive mode, if you shut down one of the remote ports, UDLD puts the corresponding port on the local device into an error-disabled state. This behavior is correct.

To restore service after the ISSU has completed, enter the **shutdown** command followed by the **no shutdown** command on the local port.

## Port-Channel Parameters

A port channel is an aggregation of physical interfaces that comprise a logical interface. You can bundle up to 32 individual interfaces into a port channel to provide increased bandwidth and redundancy. Port channeling also load balances traffic across these physical interfaces. The port channel stays operational if at least one physical interface within the port channel is operational.

You can create Layer 3 port channels by bundling compatible Layer 3 interfaces.

Any configuration changes that you apply to the port channel are applied to each interface member of that port channel.

For information about port channels and for information about configuring port channels, see Chapter 6, “Configuring Port Channels.”

## Port Profiles

On Cisco Nexus 3600 Series switches, you can create a port profile that contains many interface commands and apply that port profile to a range of interfaces. Each port profile can be applied only to a specific type of interface; the choices are as follows:

- Ethernet
- VLAN network interface
- Port channel

When you choose Ethernet or port channel as the interface type, the port profile is in the default mode which is Layer 3. Enter the **switchport** command to change the port profile to Layer 2 mode.

You inherit the port profile when you attach the port profile to an interface or range of interfaces. When you attach, or inherit, a port profile to an interface or range of interfaces, the system applies all the commands in that port profile to the interfaces. Additionally, you can have one port profile inherit the settings from another port profile. Inheriting another port profile allows the initial port profile to assume all of the commands of the second, inherited, port profile that do not conflict with the initial port profile. Four levels of inheritance are supported. The same port profile can be inherited by any number of port profiles.

The system applies the commands inherited by the interface or range of interfaces according to the following guidelines:

- Commands that you enter under the interface mode take precedence over the port profile’s commands if there is a conflict. However, the port profile retains that command in the port profile.
- The port profile’s commands take precedence over the default commands on the interface, unless the port-profile command is explicitly overridden by the default command.

- When a range of interfaces inherits a second port profile, the commands of the initial port profile override the commands of the second port profile if there is a conflict.
- After you inherit a port profile onto an interface or range of interfaces, you can override individual configuration values by entering the new value at the interface configuration level. If you remove the individual configuration values at the interface configuration level, the interface uses the values in the port profile again.
- There are no default configurations associated with a port profile.

A subset of commands are available under the port-profile configuration mode, depending on which interface type you specify.



---

**Note** You cannot use port profiles with Session Manager. See the *Cisco Nexus 3600 Series NX-OS System Management Configuration Guide* for information about Session Manager.

---

To apply the port-profile configurations to the interfaces, you must enable the specific port profile. You can configure and inherit a port profile onto a range of interfaces prior to enabling the port profile. You would then enable that port profile for the configurations to take effect on the specified interfaces.

If you inherit one or more port profiles onto an original port profile, only the last inherited port profile must be enabled; the system assumes that the underlying port profiles are enabled.

When you remove a port profile from a range of interfaces, the system undoes the configuration from the interfaces first and then removes the port-profile link itself. Also, when you remove a port profile, the system checks the interface configuration and either skips the port-profile commands that have been overridden by directly entered interface commands or returns the command to the default value.

If you want to delete a port profile that has been inherited by other port profiles, you must remove the inheritance before you can delete the port profile.

You can also choose a subset of interfaces from which to remove a port profile from among that group of interfaces that you originally applied the profile. For example, if you configured a port profile and configured ten interfaces to inherit that port profile, you can remove the port profile from just some of the specified ten interfaces. The port profile continues to operate on the remaining interfaces to which it is applied.

If you delete a specific configuration for a specified range of interfaces using the interface configuration mode, that configuration is also deleted from the port profile for that range of interfaces only. For example, if you have a channel group inside a port profile and you are in the interface configuration mode and you delete that port channel, the specified port channel is also deleted from the port profile as well.

Just as in the device, you can enter a configuration for an object in port profiles without that object being applied to interfaces yet. For example, you can configure a virtual routing and forward (VRF) instance without it being applied to the system. If you then delete that VRF and related configurations from the port profile, the system is unaffected.

After you inherit a port profile on an interface or range of interfaces and you delete a specific configuration value, that port-profile configuration is not operative on the specified interfaces.

If you attempt to apply a port profile to the wrong type of interface, the system returns an error.

When you attempt to enable, inherit, or modify a port profile, the system creates a checkpoint. If the port-profile configuration fails, the system rolls back to the prior configuration and returns an error. A port profile is never only partially applied.

## Guidelines and Limitations

Basic interface parameters have the following configuration guidelines and limitations:

- MDIX is enabled by default on copper ports. It is not possible to disable it.
- **show** commands with the **internal** keyword are not supported.
- Fiber-optic Ethernet ports must use Cisco-supported transceivers. To verify that the ports are using Cisco-supported transceivers, use the **show interface transceivers** command. Interfaces with Cisco-supported transceivers are listed as functional interfaces.
- A port can be either a Layer 2 or a Layer 3 interface; it cannot be both simultaneously.

By default, each port is a Layer 3 interface.

You can change a Layer 3 interface into a Layer 2 interface by using the **switchport** command. You can change a Layer 2 interface into a Layer 3 interface by using the **no switchport** command.

- You usually configure Ethernet port speed and duplex mode parameters to auto to allow the system to negotiate the speed and duplex mode between ports. If you decide to configure the port speed and duplex modes manually for these ports, consider the following:
  - Before you configure the speed and duplex mode for an Ethernet or management interface, see the Default Settings section for the combinations of speeds and duplex modes that can be configured at the same time.
  - If you set the Ethernet port speed to auto, the device automatically sets the duplex mode to auto.
  - If you enter the **no speed** command, the device automatically sets both the speed and duplex parameters to auto (the **no speed** command produces the same results as the **speed auto** command).
  - If you configure an Ethernet port speed to a value other than auto (for example, 1G, 10G, or 40G), you must configure the connecting port to match. Do not configure the connecting port to negotiate the speed.
  - To configure speed, duplex, and automatic flow control for an Ethernet interface, you can use the **negotiate auto** command. To disable automatic negotiation, use the **no negotiate auto** command.




---

**Note** The device cannot automatically negotiate the Ethernet port speed and duplex mode if the connecting port is configured to a value other than auto.

---




---

**Caution** Changing the Ethernet port speed and duplex mode configuration might shut down and reenab the interface.

---

- For BASE-T copper ports, auto-negotiation is enabled even when fixed speed is configured.
- If cable length is more than 5 meters, Auto Negotiation is not supported. This cable length limitation is applicable only to copper cables and not applicable to optical cables.

## Default Settings

The following lists the default settings for the basic interface parameters.

Parameter	Default
Description	Blank
Beacon	Disabled
Bandwidth	Data rate of interface
Throughput delay	100 microseconds
Administrative status	Shutdown
MTU	1500 bytes
UDLD global	Globally disabled
UDLD per-port enable state for fiber-optic media	Enabled on all Ethernet fiber-optic LAN ports
UDLD per-port enable state for copper media	Disabled on all Ethernet 1G, 10G, or 40G LAN ports
UDLD message interval	Disabled
UDLD aggressive mode	Disabled
Error disable	Disabled
Error disable recovery	Disabled
Error disable recovery interval	300 seconds

## Configuring the Basic Interface Parameters

When you configure an interface, you must specify the interface before you can configure its parameters.

### Specifying the Interfaces to Configure

#### Before you begin

Before you can configure the parameters for one or more interfaces of the same type, you must specify the type and the identities of the interfaces.

The following table shows the interface types and identities that you should use for specifying the Ethernet and management interfaces.

Table 3: Information Needed to Identify an Interface for Configurations

Interface Type	Identity
Ethernet	I/O module slot numbers and port numbers on the module
Management	0 (for port 0)

The interface range configuration mode allows you to configure multiple interfaces with the same configuration parameters. After you enter the interface range configuration mode, all command parameters you enter are attributed to all interfaces within that range until you exit out of the interface range configuration mode.

You enter a range of interfaces using dashes (-) and commas (.). Dashes separate contiguous interfaces and commas separate noncontiguous interfaces. When you enter noncontiguous interfaces, you must enter the media type for each interface.

This example shows how to configure a contiguous interface range:

```
switch(config)# interface ethernet 2/29-30
switch(config-if-range)#
```

This example shows how to configure a noncontiguous interface range:

```
switch(config)# interface ethernet 2/29, ethernet 2/33, ethernet 2/35
switch(config-if-range)#
```

You can specify subinterfaces in a range only when the subinterfaces are on the same port, for example, 2/29.1-2. But you cannot specify the subinterfaces in a range of ports, for example, you cannot enter 2/29.2-2/30.2. You can specify two of the subinterfaces discretely, for example, you can enter 2/29.2, 2/30.2.

This example shows how to configure a breakout cable:

```
switch(config)# interface ethernet 1/2/1
switch(config-if-range)#
```

## SUMMARY STEPS

1. **configure terminal**
2. **interface interface**

## DETAILED STEPS

### Procedure

	Command or Action	Purpose
<b>Step 1</b>	<b>configure terminal</b>  <b>Example:</b> switch# <b>configure terminal</b> switch(config)#	Enters global configuration mode.
<b>Step 2</b>	<b>interface interface</b>  <b>Example:</b> switch(config)# <b>interface ethernet 2/1</b> switch(config-if)#	Specifies the interface that you are configuring. You can specify the interface type and identity. For an Ethernet port, use <b>ethernet slot/port</b> . For the management interface, use <b>mgmt0</b> .

	Command or Action	Purpose
	<p><b>Example:</b></p> <pre>switch(config)# interface mgmt0 switch(config-if)#</pre>	<p>Examples:</p> <ul style="list-style-type: none"> <li>• The 1st example shows how to specify the slot 2, port 1 Ethernet interface.</li> <li>• The 2nd example shows how to specify the management interface.</li> </ul> <p><b>Note</b></p> <p>You do not need to add a space between the interface type and identity (port or slot/port number) For example, for the Ethernet slot 4, port 5 interface, you can specify either “ethernet 4/5” or “ethernet4/5.” The management interface is either “mgmt0” or “mgmt 0.”</p> <p>When you are in the interface configuration mode, the commands that you enter configure the interface that you specified for this mode.</p>

## Configuring the Description

You can provide textual interface descriptions for the Ethernet and management interfaces.

### SUMMARY STEPS

1. **configure terminal**
2. **interface** *interface*
3. **description** *text*
4. **show interface** *interface*
5. **exit**
6. **copy running-config startup-config**

### DETAILED STEPS

#### Procedure

	Command or Action	Purpose
<p><b>Step 1</b></p>	<p><b>configure terminal</b></p> <p><b>Example:</b></p> <pre>switch# configure terminal switch(config)#</pre>	<p>Enters global configuration mode.</p>
<p><b>Step 2</b></p>	<p><b>interface</b> <i>interface</i></p> <p><b>Example:</b></p> <pre>switch(config)# interface ethernet 2/1 switch(config-if)#</pre>	<p>Specifies the interface that you are configuring. You can specify the interface type and identity. For an Ethernet port, use <b>ethernet</b> <i>slot/port</i>. For the management interface, use <b>mgmt0</b>.</p> <p>Examples:</p>

	Command or Action	Purpose
	<b>Example:</b> <pre>switch(config)# interface mgmt0 switch(config-if)#</pre>	<ul style="list-style-type: none"> <li>The 1st example shows how to specify the slot 2, port 1 Ethernet interface.</li> <li>The 2nd example shows how to specify the management interface.</li> </ul>
<b>Step 3</b>	<b>description</b> <i>text</i> <b>Example:</b> <pre>switch(config-if)# description Ethernet port 3 on module 1 switch(config-if)#</pre>	Specifies the description for the interface.
<b>Step 4</b>	<b>show interface</b> <i>interface</i> <b>Example:</b> <pre>switch(config)# show interface ethernet 2/1</pre>	(Optional) Displays the interface status, which includes the description parameter.
<b>Step 5</b>	<b>exit</b> <b>Example:</b> <pre>switch(config-if)# exit switch(config)#</pre>	Exits the interface mode.
<b>Step 6</b>	<b>copy running-config startup-config</b> <b>Example:</b> <pre>switch(config)# copy running-config startup-config</pre>	(Optional) Copies the running configuration to the startup configuration.

### Example

This example shows how to set the interface description to Ethernet port 24 on module 3:

```
switch# configure terminal
switch(config)# interface ethernet 3/24
switch(config-if)# description server1
switch(config-if)#
```

The output of the **show interface eth** command is enhanced as shown in the following example:

```
Switch# show version
Software
BIOS: version 06.26
NXOS: version 6.1(2)I2(1) [build 6.1(2)I2.1]
BIOS compile time: 01/15/2014
NXOS image file is: bootflash:///n9000-dk9.6.1.2.I2.1.bin
NXOS compile time: 2/25/2014 2:00:00 [02/25/2014 10:39:03]

switch# show interface ethernet 6/36
Ethernet6/36 is up
admin state is up, Dedicated Interface
Hardware: 40000 Ethernet, address: 0022.bdf6.bf91 (bia 0022.bdf8.2bf3)
Internet Address is 192.168.100.1/24
MTU 9216 bytes, BW 40000000 Kbit, DLY 10 usec
```

## Configuring the Beacon Mode

You can enable the beacon mode for an Ethernet port to flash its LED to confirm its physical location.

### SUMMARY STEPS

1. **configure terminal**
2. **interface ethernet *slot/port***
3. **[no] beacon**
4. **show interface ethernet *slot/port***
5. **exit**
6. **copy running-config startup-config**

### DETAILED STEPS

#### Procedure

	Command or Action	Purpose
Step 1	<b>configure terminal</b>  <b>Example:</b> <pre>switch# configure terminal switch(config)#</pre>	Enters global configuration mode.
Step 2	<b>interface ethernet <i>slot/port</i></b>  <b>Example:</b> <pre>switch(config)# interface ethernet 3/1 switch(config-if)#</pre>	Specifies an interface to configure, and enters interface configuration mode.
Step 3	<b>[no] beacon</b>  <b>Example:</b> <pre>switch(config)# beacon switch(config-if)#</pre>	Enables the beacon mode or disables the beacon mode. The default mode is disabled.
Step 4	<b>show interface ethernet <i>slot/port</i></b>  <b>Example:</b> <pre>switch(config)# show interface ethernet 2/1 switch(config-if)#</pre>	(Optional) Displays the interface status, which includes the beacon mode state.
Step 5	<b>exit</b>  <b>Example:</b> <pre>switch(config-if)# exit switch(config)#</pre>	Exits the interface mode.
Step 6	<b>copy running-config startup-config</b>  <b>Example:</b> <pre>switch(config)# copy running-config startup-config</pre>	(Optional) Copies the running configuration to the startup configuration.

### Example

This example shows how to enable the beacon mode for the Ethernet port 3/1:

```
switch# configure terminal
switch(config)# interface ethernet 3/1
switch(config-if)# beacon
switch(config-if)#
```

This example shows how to disable the beacon mode for the Ethernet port 3/1:

```
switch# configure terminal
switch(config)# interface ethernet 3/1
switch(config-if)# no beacon
switch(config-if)#
```

This example shows how to configure the dedicated mode for Ethernet port 4/17 in the group that includes ports 4/17, 4/19, 4/21, and 4/23:

```
switch# configure terminal
switch(config)# interface ethernet 4/17, ethernet 4/19, ethernet 4/21, ethernet 4/23
switch(config-if)# shutdown
switch(config-if)# interface ethernet 4/17
switch(config-if)# no shutdown
switch(config-if)#
```

## Configuring the Error-Disabled State

You can view the reason that an interface moves to the error-disabled state and configure automatic recovery.

### Enabling the Error-Disabled Recovery

You can specify the application to bring the interface out of the error-disabled state and retry coming up. It retries after 300 seconds, unless you configure the recovery timer (see the **errdisable recovery interval** command).

#### SUMMARY STEPS

1. **configure terminal**
2. **errdisable recovery cause** {all | bpduguard | failed-port-state | link-flap | loopback | miscabling | psecure-violation | security-violation | storm-control | udld | vpc-peerlink}
3. **show interface status err-disabled**
4. **copy running-config startup-config**

#### DETAILED STEPS

##### Procedure

	Command or Action	Purpose
Step 1	<b>configure terminal</b> Example:	Enters global configuration mode.

	Command or Action	Purpose
	<code>switch# configure terminal</code> <code>switch(config)#</code>	
<b>Step 2</b>	<b>errdisable recovery cause</b> {all   bpduguard   failed-port-state   link-flap   loopback   miscabling   psecure-violation   security-violation   storm-control   udld   vpc-peerlink}  <b>Example:</b> <code>switch(config)# errdisable recovery cause all</code> <code>switch(config-if)#</code>	Specifies a condition under which the interface automatically recovers from the error-disabled state, and the device retries bringing the interface up. The device waits 300 seconds to retry. The default is disabled.
<b>Step 3</b>	<b>show interface status err-disabled</b>  <b>Example:</b> <code>switch(config)# show interface status err-disabled</code> <code>switch(config-if)#</code>	(Optional) Displays information about error-disabled interfaces.
<b>Step 4</b>	<b>copy running-config startup-config</b>  <b>Example:</b> <code>switch(config)# copy running-config startup-config</code>	(Optional) Copies the running configuration to the startup configuration.

### Example

This example shows how to enable error-disabled recovery under all conditions:

```
switch(config)# errdisable recovery cause all
switch(config)#
```

## Enabling the Error-Disable Detection

You can enable error-disable detection in an application. As a result, when a cause is detected on an interface, the interface is placed in an error-disabled state, which is an operational state that is similar to the link-down state.

### SUMMARY STEPS

1. **configure terminal**
2. **errdisable detect cause** {acl-exception | all | link-flap | loopback}
3. **shutdown**
4. **no shutdown**
5. **show interface status err-disabled**
6. **copy running-config startup-config**

## DETAILED STEPS

## Procedure

	Command or Action	Purpose
<b>Step 1</b>	<b>configure terminal</b>  <b>Example:</b> switch# <b>configure terminal</b> switch(config)#	Enters global configuration mode.
<b>Step 2</b>	<b>errdisable detect cause {acl-exception   all   link-flap   loopback}</b>  <b>Example:</b> switch(config)# <b>errdisable detect cause all</b> switch(config-if)#	Specifies a condition under which to place the interface in an error-disabled state. The default is enabled.
<b>Step 3</b>	<b>shutdown</b>  <b>Example:</b> switch(config-if)# <b>shutdown</b> switch(config)#	Brings the interface down administratively. To manually recover the interface from the error-disabled state, enter this command first.
<b>Step 4</b>	<b>no shutdown</b>  <b>Example:</b> switch(config-if)# <b>no shutdown</b> switch(config)#	Brings the interface up administratively and enables the interface to recover manually from the error-disabled state.
<b>Step 5</b>	<b>show interface status err-disabled</b>  <b>Example:</b> switch(config)# <b>show interface status err-disabled</b>	(Optional) Displays information about error-disabled interfaces.
<b>Step 6</b>	<b>copy running-config startup-config</b>  <b>Example:</b> switch(config)# <b>copy running-config startup-config</b>	(Optional) Copies the running configuration to the startup configuration.

**Example**

This example shows how to enable the error-disabled detection in all cases:

```
switch(config)# errdisable detect cause all
switch(config)#
```

**Configuring the Error-Disabled Recovery Interval**

You can configure the error-disabled recovery timer value.

**SUMMARY STEPS**

1. **configure terminal**
2. **errdisable recovery interval *interval***
3. **show interface status err-disabled**
4. **copy running-config startup-config**

**DETAILED STEPS****Procedure**

	<b>Command or Action</b>	<b>Purpose</b>
<b>Step 1</b>	<b>configure terminal</b> <b>Example:</b> <pre>switch# configure terminal switch(config)#</pre>	Enters global configuration mode.
<b>Step 2</b>	<b>errdisable recovery interval <i>interval</i></b> <b>Example:</b> <pre>switch(config)# errdisable recovery interval 32 switch(config-if)#</pre>	Specifies the interval for the interface to recover from the error-disabled state. The range is from 30 to 65535 seconds, and the default is 300 seconds.
<b>Step 3</b>	<b>show interface status err-disabled</b> <b>Example:</b> <pre>switch(config)# show interface status err-disabled switch(config-if)#</pre>	(Optional) Displays information about error-disabled interfaces.
<b>Step 4</b>	<b>copy running-config startup-config</b> <b>Example:</b> <pre>switch(config)# copy running-config startup-config</pre>	(Optional) Copies the running configuration to the startup configuration.

**Example**

This example shows how to configure the error-disabled recovery timer to set the interval for recovery to 32 seconds:

```
switch(config)# errdisable recovery interval 32
switch(config)#
```

**Configuring the MDIX Parameter**

To detect the type of connection (crossover or straight) with another copper Ethernet port, enable the medium dependent independent crossover (MDIX) parameter for the local port. By default, this parameter is enabled.

**Before you begin**

Enable MDIX for the remote port.

## SUMMARY STEPS

1. **configure terminal**
2. **interface ethernet *slot / port***
3. **mdix auto**
4. **show interface ethernet *slot / port***
5. **exit**
6. **copy running-config startup-config**

## DETAILED STEPS

Procedure		
	Command or Action	Purpose
Step 1	<b>configure terminal</b> <b>Example:</b> <pre>switch# configure terminal switch(config)#</pre>	Enters global configuration mode.
Step 2	<b>interface ethernet <i>slot / port</i></b> <b>Example:</b> <pre>switch(config)# interface ethernet 3/1 switch(config-if)#</pre>	Specifies an interface to configure, and enters into interface configuration mode.
Step 3	<b>mdix auto</b> <b>Example:</b> <pre>switch(config)# mdix auto switch(config-if)#</pre>	Specifies whether to enable or disable MDIX detection for the port.
Step 4	<b>show interface ethernet <i>slot / port</i></b> <b>Example:</b> <pre>switch(config)# show interface ethernet 3/1 switch(config-if)#</pre>	Displays the interface status, which includes the MDIX status.
Step 5	<b>exit</b> <b>Example:</b> <pre>switch(config)# exit</pre>	Exits the interface mode.
Step 6	<b>copy running-config startup-config</b> <b>Example:</b> <pre>switch(config)# copy running-config startup-config</pre>	(Optional) Copies the running configuration to the startup configuration.

## Example

This example shows how to enable MDIX for Ethernet port 3/1:

```
switch# configure terminal
switch(config)# interface ethernet 3/1
switch(config-if)# mdix auto
switch(config-if)#
```

This example shows how to enable MDIX for Ethernet port 3/1:

```
switch# configure terminal
switch(config)# interface ethernet 3/1
switch(config-if)# no mdix
switch(config-if)#
```

## Configuring the MTU Size

MTU is configured per interface, where the interface can be a Layer 2 or a Layer 3 interface. Every interface has default MTU of 1500 bytes. This value is called system default MTU. You can configure a Layer 2 interface, with a value of 9216 bytes, which is the default value of the system jumbo MTU. To allow an MTU value that is between 1500 and 9216, system jumbo MTU needs to be adjusted to appropriate value where interface can be configured with the same value.



---

**Note** You can change the system jumbo MTU size. When the value is changed, the Layer 2 interfaces that use the system jumbo MTU value, will automatically changes to the new system jumbo MTU value.

---

A Layer 3 interface, can be Layer 3 physical interface switch virtual interface (SVI), and subinterface, you can configure an MTU size between 576–9216 bytes.

## Configuring the MTU Size

MTU is configured per interface, where the interface can be a Layer 2 or a Layer 3 interface. Every interface has default MTU of 1500 bytes. This value is called system default MTU. You can configure a Layer 2 interface, with a value of 9216 bytes, which is the default value of the system jumbo MTU. To allow an MTU value that is between 1500 and 9216, system jumbo MTU needs to be adjusted to appropriate value where interface can be configured with the same value.



---

**Note** You can change the system jumbo MTU size. When the value is changed, the Layer 2 interfaces that use the system jumbo MTU value, will automatically changes to the new system jumbo MTU value.

---

A Layer 3 interface, can be Layer 3 physical interface switch virtual interface (SVI), and subinterface, you can configure an MTU size between 576–9216 bytes.

## Configuring the System Jumbo MTU Size

You can configure and use the system jumbo MTU for a Layer 2 interfaces MTU value. The system jumbo MTU must be specified as an even number between 1500 and 9216. The default value of system jumbo MTU is 9216 bytes.

### SUMMARY STEPS

1. **configure terminal**

2. `system jumbomtu size`
3. `interface type slot/port`
4. `mtu size`
5. `exit`
6. `copy running-config startup-config`

## DETAILED STEPS

### Procedure

	Command or Action	Purpose
<b>Step 1</b>	<b>configure terminal</b> <b>Example:</b> <pre>switch# configure terminal switch(config)#</pre>	Enters global configuration mode.
<b>Step 2</b>	<b>system jumbomtu size</b> <b>Example:</b> <pre>switch(config)# system jumbomtu 8000 switch(config)#</pre>	Specifies the system jumbo MTU size. Use an even number between 1500 and 9216.
<b>Step 3</b>	<b>interface type slot/port</b> <b>Example:</b> <pre>switch(config)# interface ethernet 2/1 switch(config-if)#</pre>	Specifies an interface to configure and enters interface configuration mode.
<b>Step 4</b>	<b>mtu size</b> <b>Example:</b> <pre>switch(config-if)# mtu 8000 switch(config-if)#</pre>	System jumbo MTU is added to a Layer 2 interface.
<b>Step 5</b>	<b>exit</b> <b>Example:</b> <pre>switch(config-if)# exit switch(config)#</pre>	Exits the interface mode.
<b>Step 6</b>	<b>copy running-config startup-config</b> <b>Example:</b> <pre>switch(config)# copy running-config startup-config</pre>	(Optional) Copies the running configuration to the startup configuration.

### Example

This example shows how to configure the system jumbo MTU as 8000 bytes and how to change the MTU specification for a Layer 2 interface that was configured with the previous jumbo MTU size:

```
switch# configure terminal
switch(config)# system jumbomtu 8000
switch(config)# interface ethernet 2/2
switch(config-if)# mtu 8000
```

## Configuring the Bandwidth

You can configure the bandwidth for Ethernet interfaces. The physical layer uses an unchangeable bandwidth of 1G, 10G, or 40G, but you can configure a value of 1 to 100,000,000 KB for Level 3 protocols.

### SUMMARY STEPS

1. **configure terminal**
2. **interface ethernet *slot/port***
3. **bandwidth *kbps***
4. **show interface ethernet *slot/port***
5. **exit**
6. **copy running-config startup-config**

### DETAILED STEPS

#### Procedure

	Command or Action	Purpose
Step 1	<b>configure terminal</b>  <b>Example:</b> switch# <b>configure terminal</b> switch(config)#	Enters global configuration mode.
Step 2	<b>interface ethernet <i>slot/port</i></b>  <b>Example:</b> switch(config)# <b>interface ethernet 3/1</b> switch(config-if)#	Specifies an Ethernet interface to configure, and enters interface configuration mode.
Step 3	<b>bandwidth <i>kbps</i></b>  <b>Example:</b> switch(config-if)# <b>bandwidth 1000000</b> switch(config-if)#	Specifies the bandwidth as an informational-only value between 1 and 100,000,000.
Step 4	<b>show interface ethernet <i>slot/port</i></b>  <b>Example:</b> switch(config)# <b>show interface ethernet 2/1</b>	(Optional) Displays the interface status, which includes the bandwidth value.
Step 5	<b>exit</b>  <b>Example:</b>	Exits the interface mode.

	Command or Action	Purpose
	<pre>switch(config-if) # exit switch(config) #</pre>	
<b>Step 6</b>	<p><b>copy running-config startup-config</b></p> <p><b>Example:</b></p> <pre>switch(config) # copy running-config startup-config</pre>	(Optional) Copies the running configuration to the startup configuration.

### Example

This example shows how to configure an informational value of 1,000,000 Kb for the Ethernet slot 3, port 1 interface bandwidth parameter:

```
switch# configure terminal
switch(config) # interface ethernet 3/1
switch(config-if) # bandwidth 1000000
switch(config-if) #
```

## Configuring the Throughput Delay

You can configure the interface throughput delay for Ethernet interfaces. The actual delay time does not change, but you can set an informational value between 1 and 16777215, where the value represents the number of tens of microseconds.

### SUMMARY STEPS

1. **configure terminal**
2. **interface ethernet *slot/port***
3. **delay *value***
4. **show interface ethernet *slot/port***
5. **exit**
6. **copy running-config startup-config**

### DETAILED STEPS

#### Procedure

	Command or Action	Purpose
<b>Step 1</b>	<p><b>configure terminal</b></p> <p><b>Example:</b></p> <pre>switch# configure terminal switch(config) #</pre>	Enters global configuration mode.
<b>Step 2</b>	<p><b>interface ethernet <i>slot/port</i></b></p> <p><b>Example:</b></p>	Specifies an Ethernet interface to configure, and enters interface configuration mode.

	Command or Action	Purpose
	switch(config)# <b>interface ethernet 3/1</b> switch(config-if)#	
<b>Step 3</b>	<b>delay value</b> <b>Example:</b> switch(config-if)# <b>delay 10000</b> switch(config-if)#	Specifies the delay time in tens of microseconds. You can set an informational value range between 1 and 16777215 tens of microseconds.
<b>Step 4</b>	<b>show interface ethernet slot/port</b> <b>Example:</b> switch(config)# <b>show interface ethernet 3/1</b> switch(config-if)#	(Optional) Displays the interface status, which includes the throughput-delay time.
<b>Step 5</b>	<b>exit</b> <b>Example:</b> switch(config-if)# <b>exit</b> switch(config)#	Exits the interface mode.
<b>Step 6</b>	<b>copy running-config startup-config</b> <b>Example:</b> switch(config)# <b>copy running-config startup-config</b>	(Optional) Copies the running configuration to the startup configuration.

### Example

This example shows how to configure the throughput-delay time so that one interface is preferred over another. A lower delay value is preferred over a higher value. In this example, Ethernet 7/48 is preferred over 7/47. The default delay for 7/48 is less than the configured value on 7/47, which is set for the highest value (16777215):

```
switch# configure terminal
switch(config)# interface ethernet 7/47
switch(config-if)# delay 16777215
switch(config-if)# ip address 192.168.10.1/24
switch(config-if)# ip router eigrp 10
switch(config-if)# no shutdown
switch(config-if)# exit
switch(config)# interface ethernet 7/48
switch(config-if)# ip address 192.168.11.1/24
switch(config-if)# ip router eigrp 10
switch(config-if)# no shutdown
switch(config-if)#
```



**Note** You must first ensure the EIGRP feature is enabled by running the **feature eigrp** command.

## Shutting Down and Activating the Interface

You can shut down and restart Ethernet or management interfaces. When you shut down interfaces, they become disabled and all monitoring displays show them as being down. This information is communicated to other network servers through all dynamic routing protocols. When the interfaces are shut down, the interface is not included in any routing updates. To activate the interface, you must restart the device.

### SUMMARY STEPS

1. **configure terminal**
2. **interface** *interface*
3. **shutdown**
4. **show interface** *interface*
5. **no shutdown**
6. **show interface** *interface*
7. **exit**
8. **copy running-config startup-config**

### DETAILED STEPS

#### Procedure

	Command or Action	Purpose
<b>Step 1</b>	<b>configure terminal</b> <b>Example:</b> <pre>switch# configure terminal switch(config)#</pre>	Enters global configuration mode.
<b>Step 2</b>	<b>interface</b> <i>interface</i> <b>Example:</b> <pre>switch(config)# interface ethernet 2/1 switch(config-if)#  switch(config)# interface mgmt0 switch(config-if)#</pre>	Specifies the interface that you are configuring. You can specify the interface type and identity. For an Ethernet port, use <i>ethernet slot/port</i> . For the management interface, use <i>mgmt0</i> .  Examples: <ul style="list-style-type: none"> <li>• The 1st example shows how to specify the slot 2, port 1 Ethernet interface.</li> <li>• The 2nd example shows how to specify the management interface.</li> </ul>
<b>Step 3</b>	<b>shutdown</b> <b>Example:</b> <pre>switch(config-if)# shutdown switch(config-if)#</pre>	Disables the interface.
<b>Step 4</b>	<b>show interface</b> <i>interface</i> <b>Example:</b>	(Optional) Displays the interface status, which includes the administrative status.

	Command or Action	Purpose
	<code>switch(config-if) # show interface ethernet 2/1</code> <code>switch(config-if) #</code>	
<b>Step 5</b>	<b>no shutdown</b>  <b>Example:</b> <code>switch(config-if) # no shutdown</code> <code>switch(config-if) #</code>	Reenables the interface.
<b>Step 6</b>	<b>show interface <i>interface</i></b>  <b>Example:</b> <code>switch(config-if) # show interface ethernet 2/1</code> <code>switch(config-if) #</code>	(Optional) Displays the interface status, which includes the administrative status.
<b>Step 7</b>	<b>exit</b>  <b>Example:</b> <code>switch(config-if) # exit</code> <code>switch(config) #</code>	Exits the interface mode.
<b>Step 8</b>	<b>copy running-config startup-config</b>  <b>Example:</b> <code>switch(config) # copy running-config startup-config</code>	(Optional) Copies the running configuration to the startup configuration.

### Example

This example shows how to change the administrative status for Ethernet port 3/1 from disabled to enabled:

```
switch# configure terminal
switch(config)# interface ethernet 3/1
switch(config-if)# shutdown
switch(config-if)# no shutdown
switch(config-if)#
```

## Configuring the UDLD Mode

You can configure normal unidirectional link detection (UDLD) modes for Ethernet interfaces on devices configured to run UDLD.

Before you can enable the aggressive UDLD mode for an interface, you must make sure that UDLD is already enabled globally on the device and on the specified interfaces.



**Note** If the interface is a copper port, you must use the command `enable UDLD` to enable the UDLD. If the interface is a fiber port you need not explicitly enable UDLD on the interface. However if you attempt to enable UDLD on a fiber port using the `enable UDLD` command, you may get an error message indicating that is not a valid command.

The following table lists CLI details to enable and disable UDLD on different interfaces

**Table 4: CLI Details to Enable or Disable UDLD on Different Interfaces**

Description	Fiber port	Copper or Nonfiber port
Default setting	Enabled	Disabled
Enable UDLD command	<b>no udld disable</b>	<b>udld enable</b>
Disable UDLD command	<b>udld disable</b>	<b>no udld enable</b>

### Before you begin

You must enable UDLD for the other linked port and its device.

### SUMMARY STEPS

1. **configure terminal**
2. **[no] feature udld**
3. **udld message-time** *seconds*
4. **udld aggressive**
5. **interface ethernet** *slot/port*
6. **udld** [**enable** | **disable**]
7. **show udld** [**ethernet** *slot/port* | **global** | **neighbors**]
8. **exit**
9. **copy running-config startup-config**

### DETAILED STEPS

#### Procedure

	Command or Action	Purpose
<b>Step 1</b>	<b>configure terminal</b> <b>Example:</b> <pre>switch# configure terminal switch(config)#</pre>	Enters global configuration mode.
<b>Step 2</b>	<b>[no] feature udld</b> <b>Example:</b> <pre>switch(config)# feature udld switch(config)#  switch(config)# no feature udld switch(config)#</pre>	Enables/Disables UDLD for the device.

	Command or Action	Purpose
Step 3	<b>udld message-time</b> <i>seconds</i> <b>Example:</b> <pre>switch(config)# udld message-time 30 switch(config)#</pre>	(Optional) Specifies the interval between sending UDLD messages. The range is from 7 to 90 seconds, and the default is 15 seconds.
Step 4	<b>udld aggressive</b> <b>Example:</b> <pre>switch(config)# udld aggressive switch(config)#</pre>	<p>Enables UDLD in aggressive mode by default on all fiber interfaces. Use the <b>no</b> form to disable aggressive mode UDLD on all fibers ports by default.</p> <p><b>Note</b> Use the <b>udld aggressive</b> command to configure the ports to use a UDLD mode:</p> <ul style="list-style-type: none"> <li>• To enable fiber interfaces for the aggressive mode, enter the <b>udld aggressive</b> command in the global command mode and all the fiber interfaces will be in aggressive UDLD mode.</li> <li>• To enable the copper interfaces for the aggressive mode, you must enter the <b>udld aggressive</b> command in the interface mode, specifying each interface you want in aggressive UDLD mode.</li> </ul> <p>To use the aggressive UDLD mode, you must configure the interfaces on both ends of the link for the aggressive UDLD mode.</p>
Step 5	<b>interface ethernet</b> <i>slot/port</i> <b>Example:</b> <pre>switch(config)# interface ethernet 3/1 switch(config-if)#</pre>	(Optional) Specifies an interface to configure, and enters interface configuration mode.
Step 6	<b>udld</b> [ <b>enable</b>   <b>disable</b> ] <b>Example:</b> <pre>switch(config-if)# udld enable switch(config-if)#</pre>	Enables UDLD in normal mode by default on all fiber interfaces. Use the <b>no</b> form to disable normal mode UDLD on all fibers ports by default.
Step 7	<b>show udld</b> [ <b>ethernet</b> <i>slot/port</i>   <b>global</b>   <b>neighbors</b> ] <b>Example:</b> <pre>switch(config)# show udld switch(config)#</pre>	(Optional) Displays the UDLD status.
Step 8	<b>exit</b> <b>Example:</b> <pre>switch(config-if-range)# exit switch(config)#</pre>	Exits the interface mode.
Step 9	<b>copy running-config startup-config</b> <b>Example:</b>	(Optional) Copies the running configuration to the startup configuration.

	Command or Action	Purpose
	switch(config)# <b>copy running-config startup-config</b>	

### Example

This example shows how to enable the UDLD for the device:

```
switch# configure terminal
switch(config)# feature udld
switch(config)#
```

This example shows how to set the UDLD message interval to 30 seconds:

```
switch# configure terminal
switch(config)# feature udld
switch(config)# udld message-time 30
switch(config)#
```

This example shows how to disable UDLD for Ethernet port 3/1:

```
switch# configure terminal
switch(config)# interface ethernet 3/1
switch(config-if-range)# no udld enable
switch(config-if-range)# exit
```

This example shows how to disable UDLD for the device:

```
switch# configure terminal
switch(config)# no feature udld
switch(config)# exit
```

This example shows how to enable fiber interfaces for the aggressive UDLD mode:

```
switch# configure terminal
switch(config)# udld aggressive
```

This example shows how to enable the aggressive UDLD mode for the copper Ethernet interface3/1:

```
switch# configure terminal
switch(config)# interface ethernet 3
switch(config-if)# udld aggressive
```

This example shows how to check if aggressive mode is enabled.

```
switch# sh udld global

UDLD global configuration mode: enabled-aggressive
UDLD global message interval: 15
switch#
```

This example shows how to check if udld aggressive mode is operational for a given interface.

```
switch# sh udld ethernet 8/2

Interface Ethernet8/2
-----
Port enable administrative configuration setting: device-default
Port enable operational state: enabled-aggressive
Current bidirectional state: bidirectional
Current operational state: advertisement - Single neighbor detected
Message interval: 15
Timeout interval: 5
<>
```

## Configuring Debounce Timers

You can enable the debounce timer for Ethernet ports by specifying a debounce time (in milliseconds) or disable the timer by specifying a debounce time of 0.



**Note** The link state of 10G and 100G ports may change repeatedly when connected to service provider network. As a part of *link reset* or *break-link* functionality, it is expected that the Tx power light on the SFP to change to N/A state, at an event of link state change.

However, to prevent this behavior during the link state change, you may increase the link debounce timer to start from 500ms and increase it in 500ms intervals until the link stabilizes. On the DWDM, UVN, and WAN network, it is recommended to disable automatic link suspension (ALS) whenever possible. ALS suspends the link on the WAN when the Nexus turn off the link.



**Note** The **link debounce time** and **link debounce link-up time** commands can only be applied to a physical Ethernet interface.

Use the **show interface debounce** command to display the debounce times for all Ethernet ports.

The **link debounce time** command is supported on 1G, 10G, 40G, 25G and 100G SFP/QSFP ports on the Cisco Nexus 3600 series switches.

### SUMMARY STEPS

1. **configure terminal**
2. **interface ethernet *slot/port***
3. **link debounce time *time***

### DETAILED STEPS

#### Procedure

	Command or Action	Purpose
Step 1	<b>configure terminal</b> <b>Example:</b> <pre>switch# configure terminal switch(config)#</pre>	Enters global configuration mode.
Step 2	<b>interface ethernet <i>slot/port</i></b> <b>Example:</b> <pre>switch(config)# interface ethernet 3/1 switch(config-if)#</pre>	Specifies an Ethernet interface to configure, and enters interface configuration mode.
Step 3	<b>link debounce time <i>time</i></b> <b>Example:</b>	Enables the debounce timer for the specified time (1 to 5000 milliseconds).

	Command or Action	Purpose
	<pre>switch(config-if)# link debounce time 1000 switch(config-if)#</pre>	If you specify 0 milliseconds, the debounce timer is disabled.

### Example

- The following example enables the debounce timer and sets the debounce time to 1000 milliseconds for an Ethernet interface:

```
switch# configure terminal
switch(config)# interface ethernet 1/4
switch(config-if)# link debounce time 1000
```

- The following example disables the debounce timer for an Ethernet interface:

```
switch# configure terminal
switch(config)# interface ethernet 1/4
switch(config-if)# link debounce time 0
```

## Configuring Port Profiles

You can apply several configuration parameters to a range of interfaces simultaneously. All the interfaces in the range must be the same type. You can also inherit the configurations from one port profile into another port profile. The system supports four levels of inheritance.

### Create a port profile

You can create a port profile on the device.

Each port profile must have a unique name within its type and the network.



**Note** Use only these characters in port profile names.

- Lowercase letters (a–z)
- Uppercase letters (A–Z)
- Numbers (0–9)
- Use only these special characters.
  - .
  - -
  - \_

**Procedure**

	Command or Action	Purpose
<b>Step 1</b>	Enter global configuration mode. <b>Example:</b> switch# configure terminal	
<b>Step 2</b>	Create and name the port profile for the desired interface type using the <b>port-profile [type {ethernet   interface-vlan   port-channel}] name</b> <b>Example:</b> switch(config)# port-profile type ethernet test	
<b>Step 3</b>	Exit the port-profile configuration mode. <b>Example:</b> switch(config-ppm)# exit	
<b>Step 4</b>	(Optional) Verify the port-profile configuration. <b>Example:</b> switch# show port-profile	
<b>Step 5</b>	(Optional) Save the running configuration to the startup configuration. <b>Example:</b> switch# copy running-config startup-config	

**Example**

This example shows how to create a port profile named test for ethernet interfaces.

```
switch# configure terminal
switch(config)# port-profile type ethernet test
switch(config-ppm)#
```

**Enter port-profile configuration mode**

Enter port-profile configuration mode to to add, remove, or modify or create a port profile.

Complete these steps to enter port-profile configuration mode.

**Procedure**

	Command or Action	Purpose
<b>Step 1</b>	Enter global configuration mode.	

## Assign a port profile to a range of interfaces

	Command or Action	Purpose
	<b>Example:</b> switch# configure terminal	
<b>Step 2</b>	Create and name the port profile for the desired interface type using the <b>port-profile [type {ethernet   interface-vlan   port-channel}] name</b> command.  <b>Example:</b> switch(config)# <b>port-profile type ethernet test</b>	You can add or remove configurations in the profile.
<b>Step 3</b>	Exit the port-profile configuration mode.  <b>Example:</b> switch(config-ppm)# exit	
<b>Step 4</b>	(Optional) Verify the port-profile configuration.  <b>Example:</b> switch# show port-profile	
<b>Step 5</b>	(Optional) Save the running configuration to the startup configuration.  <b>Example:</b> switch# copy running-config startup-config	

### Example

This example shows how to enter the port-profile configuration mode for the specified port profile and bring all the interfaces administratively up:

```
switch# configure terminal
switch(config)# port-profile type ethernet test
switch(config-ppm)# no shutdown
switch(config-ppm)#
```

## Assign a port profile to a range of interfaces

Assign a port profile to multiple interfaces at one time to simplify configuration management.

Use this task when you need to apply the same port profile to several interfaces of the same type on a switch. All the interfaces must be of the same type.

To assign a port profile to a range of interfaces, use these steps

### Before you begin

Ensure all target interfaces are the same type (for example, all Ethernet interfaces).

## Procedure

	Command or Action	Purpose
Step 1	Enter the global configuration mode. <b>Example:</b> switch# configure terminal	
Step 2	Select the interfaces you want to configure using the <b>interface</b> [ethernet slot/port   interface-vlan vlan-id   port-channel number] command. <b>Example:</b> switch(config)# interface ethernet7/3-5, ethernet10/2, ethernet11/20-25	
Step 3	Assign the port profile to the selected interfaces. <b>Example:</b> switch(config-if)# inherit port-profile adam	
Step 4	Exit configuration mode. <b>Example:</b> switch(config-if)# exit	
Step 5	(Optional) Verify the port-profile configuration. <b>Example:</b> switch# show port-profile	
Step 6	(Optional) Save your changes by copying the running configuration to the startup configuration. <b>Example:</b> switch# copy running-config startup-config	

The specified port profile is applied to all selected interfaces,

**Example**

This example shows how to assign the port profile named adam to Ethernet interfaces 7/3 to 7/5, 10/2, and 11/20 to 11/25:

```
switch# configure terminal
switch(config)# interface ethernet7/3-5, ethernet10/2, ethernet11/20-25
switch(config-if)# inherit port-profile adam
switch(config-if)#
```

**Enable a specific port profile**

Apply the configurations specified in a port profile to selected interfaces by enabling that port profile.

## Enable a specific port profile

Enabling a port profile activates configuration inheritance on targeted interfaces. If multiple port profiles are inherited, only the last inherited profile must be enabled, as the system assumes underlying profiles are enabled.

You must be in the port-profile configuration mode to enable or disable port profiles.

To apply the port-profile configurations to the interfaces, use these steps.

### Before you begin

You must enter port-profile configuration mode before you can enable or disable port profiles.

### Procedure

	Command or Action	Purpose
<b>Step 1</b>	Enter the global configuration mode.  <b>Example:</b> <code>switch# configure terminal</code>	
<b>Step 2</b>	Create and name a port profile for the desired interface, and enter port-profile configuration mode using the <b>port-profile</b> [ <b>type</b> { <b>ethernet</b>   <b>interface-vlan</b>   <b>port-channel</b> }] <i>name</i> command.  <b>Example:</b> <code>switch(config)# port-profile type ethernet test</code>	
<b>Step 3</b>	Enable the port profile to apply the port-profile configurations to the interfaces.  <b>Example:</b> <code>switch(config-ppm)# state enabled</code>	
<b>Step 4</b>	Exit the port-profile configuration mode.  <b>Example:</b> <code>switch(config-ppm)# exit</code>	
<b>Step 5</b>	(Optional) Verify the port-profile configuration.  <b>Example:</b> <code>switch# show port-profile</code>	
<b>Step 6</b>	(Optional) Save your running configuration to the startup configuration.  <b>Example:</b> <code>switch# copy running-config startup-config</code>	

When you enable the specified port profile, its configurations take effect on the designated interfaces.

### Example

This example shows how to enter the port-profile configuration mode and enable the port profile:

```
switch# configure terminal
switch(config)# port-profile type ethernet test
switch(config-ppm)# state enabled
switch(config-ppm)#
```

## Inherit a port profile

Configure an existing port profile to automatically inherit settings from another port profile.

Use this task to enable an existing port profile to inherit settings from another profile. The system supports four levels of inheritance.

### Before you begin

Ensure the profile you wish to inherit from already exists

### Procedure

	Command or Action	Purpose
<b>Step 1</b>	Enter the global configuration mode. <b>Example:</b> switch# configure terminal	
<b>Step 2</b>	Enter the port-profile configuration mode for the desired port profile using the <b>port-profile name</b> command. <b>Example:</b> switch(config)# port-profile test	
<b>Step 3</b>	Use the <b>inherit port-profile name</b> command to inherit another profile's settings. <b>Example:</b> switch(config-ppm)# inherit port-profile adam	The original port profile assumes all the configurations of the inherited port profile.
<b>Step 4</b>	Exit the port-profile configuration mode. <b>Example:</b> switch(config-ppm)# exit	
<b>Step 5</b>	(Optional) Verify the port-profile configuration. <b>Example:</b> switch# show port-profile	
<b>Step 6</b>	(Optional) Save the running configuration to the startup configuration. <b>Example:</b> switch# copy running-config startup-config	

"The port profile now inherits all settings from the specified profile.

### Example

This example shows how to inherit the port profile named adam onto the port profile named test:

```
switch# configure terminal
switch(config)# port-profile test
switch(config-ppm)# inherit port-profile adam
switch(config-ppm)#
```

## Remove a port profile from a range of interfaces

Remove an assigned port profile from one or more interfaces. This action reverts those interfaces to their default configuration or allows you to assign a different profile.

You can remove a port profile from interfaces where the profile has been applied. Use interface configuration mode for this procedure.

Remove the port profile from a range of interfaces by completing these steps.

### Before you begin

Identify the interfaces from which you need to remove the port profile.

### Procedure

	Command or Action	Purpose
<b>Step 1</b>	Enter the global configuration mode.  <b>Example:</b> switch# <b>configure terminal</b>	
<b>Step 2</b>	Select the range of interfaces using the <b>interface</b> [ethernet <i>slot/port</i>   <b>interface-vlan</b> <i>vlan-id</i>   <b>port-channel</b> <i>number</i> ] command.  <b>Example:</b> switch(config)# <b>interface ethernet 7/3-5, 10/2, 11/20-25</b>	
<b>Step 3</b>	Remove the port profile from the selected interfaces using the <b>no inherit port-profile</b> <i>name</i> command.  <b>Example:</b> switch(config-if)# <b>no inherit port-profile adam</b>	
<b>Step 4</b>	Exit the configuration mode.  <b>Example:</b> switch(config-if)# <b>exit</b>	

	Command or Action	Purpose
Step 5	(Optional) Verify the port-profile configuration. <b>Example:</b> switch# show port-profile	
Step 6	(Optional) Save the running configuration to the startup configuration. <b>Example:</b> switch# copy running-config startup-config	

The specified port profile is removed from the selected interfaces.

### Example

This example shows how to unassign the port profile named adam to Ethernet interfaces 7/3 to 7/5, 10/2, and 11/20 to 11/25:

```
switch# configure terminal
switch(config)# interface ethernet 7/3-5, 10/2, 11/20-25
switch(config-if)# no inherit port-profile adam
switch(config-if)#
```

## Remove an inherited port profile

Remove an inherited port profile from a specific port profile in the switch configuration.

Perform this task when you need to disassociate a port profile from inheriting settings from another port profile. This action helps you change or restrict inherited configuration parameters.

### Procedure

	Command or Action	Purpose
Step 1	Enter the global configuration mode. <b>Example:</b> switch# configure terminal	
Step 2	Enter the port-profile configuration mode for the desired port profile using the <b>port-profile name</b> command. <b>Example:</b> switch(config)# port-profile test	
Step 3	Remove the inherited port profile using the <b>no inherit port-profile name</b> command. <b>Example:</b> switch(config-ppm)# no inherit port-profile adam	
Step 4	Exit the port-profile configuration mode.	

	Command or Action	Purpose
	<b>Example:</b> switch(config-ppm) # exit	
<b>Step 5</b>	(Optional) Verify the port-profile configuration. <b>Example:</b> switch# show port-profile	
<b>Step 6</b>	(Optional) Save the running configuration to the startup configuration. <b>Example:</b> switch# copy running-config startup-config	

The specified port profile no longer inherits settings from the designated port profile.

### Example

This example shows how to remove the inherited port profile named adam from the port profile named test.

```
switch# configure terminal
switch(config)# port-profile test
switch(config-ppm)# no inherit port-profile adam
switch(config-ppm)#
```

## Configuring DWDM

You can configure DWDM to operate at one of the 96 possible wavelengths available.

### SUMMARY STEPS

1. **configure terminal**
2. **interface** *interface*
3. **itu channel** *1-96*
4. **exit**
5. **show run interface**
6. **show** *itu channel all*

### DETAILED STEPS

#### Procedure

	Command or Action	Purpose
<b>Step 1</b>	<b>configure terminal</b> <b>Example:</b>	Enters global configuration mode.

	Command or Action	Purpose
	<code>switch# configure terminal</code> <code>switch(config)#</code>	
<b>Step 2</b>	<b>interface</b> <i>interface</i>  <b>Example:</b> <code>config)# interface &lt;type slot/port&gt;</code> <code>switch(config-if)#</code>	Enter interface configuration mode.
<b>Step 3</b>	<b>itu channel</b> <i>1-96</i>  <b>Example:</b> <code>config)# interface &lt;type slot/port&gt;</code> <code>switch(config-if)# itu channel ?</code>	Specify the itu channel value, and enter the configuration.
<b>Step 4</b>	<b>exit</b>  <b>Example:</b> <code>switch(config-if)# exit</code> <code>switch(config)#</code>	Exits the interface mode.
<b>Step 5</b>	<b>show run interface</b>  <b>Example:</b> <code>switch(config)# show run interface &lt;type slot/port&gt;</code> <code>switch(config)#</code>	Displays the value of itu channel.
<b>Step 6</b>	<b>show itu channel all</b>  <b>Example:</b> <code>switch(config)# show itu channel [ &lt;&gt;   all ]</code> <code>switch# sh itu channel ?</code>	Displays the mapping of all itu channel, wavelength and frequency.

## Configuring 25G Autonegotiation

Autonegotiation allows devices to advertise enhanced modes of operation it possesses via the link segment and to detect corresponding enhanced operational modes that the other devices may be advertising. Autonegotiation provides the means to exchange information between two devices that share a link segment and to automatically configure both devices to take maximum advantage of their abilities.

### Guidelines and Limitations for 25G Autonegotiation

- Beginning with Cisco NX-OS Release 9.2(1), autonegotiation on native 25G ports with copper cables is supported on Cisco Nexus 3600 Series platform switches.
- Autonegotiation is not supported on 25G breakout ports.
- Autonegotiation is not supported when Cisco Nexus 3600 switch is connected to N9K-C93108TC-FX3P switch.
- When connecting a Cisco Nexus 3600 to a 9300-FX/FX2 switch using an SFP-H25GB-CU4M or SFP-H25GB-CU5M cable, it is necessary to manually configure the FEC mode to **rs-ieee** on both devices. Without this manual configuration, the connection may fail to autonegotiate and establish a link due to FEC mismatch.

## Enabling FEC Manually on an Interface

To enable FEC manually on an interface, follow these steps:

### SUMMARY STEPS

1. **configure terminal**
2. **interface ethernet** *port number*
3. **fec** { **auto** | **rs-fec** | **rs-ieee** | **fc-fec** }

### DETAILED STEPS

#### Procedure

	Command or Action	Purpose
<b>Step 1</b>	<b>configure terminal</b> <b>Example:</b> <pre>switch# configure terminal switch(config)#</pre>	Enters global configuration mode.
<b>Step 2</b>	<b>interface ethernet</b> <i>port number</i> <b>Example:</b> <pre>switch# int e1/7 switch(config-if)#</pre>	Selects the interface and enters interface mode.
<b>Step 3</b>	<b>fec</b> { <b>auto</b>   <b>rs-fec</b>   <b>rs-ieee</b>   <b>fc-fec</b> } <b>Example:</b> <pre>switch(config-if)# fec auto switch(config-if)#</pre>	Enables the specified FEC type on the selected interface.

## Enabling Autonegotiation

You can enable autonegotiation using the *negotiate auto* command. To enable autonegotiation, follow these steps:

### SUMMARY STEPS

1. **configure terminal**
2. **interface ethernet** *port number*
3. **negotiate auto** *port speed*

## DETAILED STEPS

## Procedure

	Command or Action	Purpose
Step 1	<b>configure terminal</b> <b>Example:</b> <pre>switch# configure terminal switch(config)#</pre>	Enters global configuration mode.
Step 2	<b>interface ethernet <i>port number</i></b> <b>Example:</b> <pre>switch# int e1/7 switch(config-if)#</pre>	Selects the interface and enters interface mode.
Step 3	<b>negotiate auto <i>port speed</i></b> <b>Example:</b> <pre>switch(config-if)# negotiate auto 25000 switch(config-if)#</pre>	Enables autonegotiation on the selected interface.  <b>Note</b> You must apply this command on interfaces at both sides of the 25G native link.

This example shows how to enable autonegotiation on a specified interface:

## Example

```
switch# sh int e1/7 st
-----
Port          Name          Status      Vlan      Duplex  Speed  Type
-----
Eth1/7        --            connected   routed    full    25G    SFP-H25GB-CU1M
switch# conf
switch(config)# int e1/7
switch(config-if)# negotiate auto 25000
```

## Disabling Autonegotiation

You can disable autonegotiation using the *no negotiate auto* command. To disable autonegotiation, follow these steps:

## SUMMARY STEPS

1. **configure terminal**
2. **interface ethernet *port number***
3. **no negotiate auto *port speed***

## DETAILED STEPS

## Procedure

	Command or Action	Purpose
<b>Step 1</b>	<b>configure terminal</b>  <b>Example:</b> switch# <b>configure terminal</b> switch(config)#	Enters global configuration mode.
<b>Step 2</b>	<b>interface ethernet port number</b>  <b>Example:</b> switch# <b>int e1/7</b> switch(config-if)#	Selects the interface and enters interface mode.
<b>Step 3</b>	<b>no negotiate auto port speed</b>  <b>Example:</b>  switch(config-if)# <b>no negotiate auto 25000</b> switch(config-if)#	Disables autonegotiation on the selected interface.  <b>Note</b> You must apply this command on interfaces at both sides of the link.

This example shows how to disable autonegotiation on a specified interface.

## Example

```
switch# sh int e1/7 st
-----
Port          Name          Status   Vlan    Duplex  Speed  Type
-----
Eth1/7       --            connected routed   full    25G    SFP-H25GB-CU1M
switch# conf
switch(config)# int e1/7
switch(config-if)# no negotiate auto 25000
```

## Verifying the Basic Interface Parameters

You can verify the basic interface parameters by displaying their values. You can also clear the counters listed when you display the parameter values.

To display basic interface configuration information, perform one of the following tasks:

Command	Purpose
<b>show cdp all</b>	Displays the CDP status.
<b>show interface interface</b>	Displays the configured states of one or all interfaces.
<b>show interface brief</b>	Displays a table of interface states.

Command	Purpose
<b>show interface status err-disabled</b>	Displays information about error-disabled interfaces.
<b>show udld <i>interface</i></b>	Displays the UDLD status for the current interface or all interfaces.
<b>show udld global</b>	Displays the UDLD status for the current device.
<b>show interface fec</b>	Displays the FEC status of all interfaces.

## Monitoring the Interface Counters

You can display and clear interface counters using Cisco NX-OS.

### Displaying Interface Statistics

You can set up to three sampling intervals for statistics collections on interfaces.

#### SUMMARY STEPS

1. **configure terminal**
2. **interface ether *slot/port***
3. **load-interval counters [1 | 2 | 3] *seconds***
4. **show interface *interface***
5. **exit**
6. **copy running-config startup-config**

#### DETAILED STEPS

##### Procedure

	Command or Action	Purpose
<b>Step 1</b>	<b>configure terminal</b> <b>Example:</b> <pre>switch# configure terminal switch(config)#</pre>	Enters global configuration mode.
<b>Step 2</b>	<b>interface ether <i>slot/port</i></b> <b>Example:</b> <pre>switch(config)# interface ether 4/1 switch(config)#</pre>	Specifies interface.

	Command or Action	Purpose
<b>Step 3</b>	<b>load-interval counters</b> [1   2   3] <i>seconds</i> <b>Example:</b> <pre>switch(config)# load-interval counters 1 100 switch(config)#</pre>	Sets up to three sampling intervals to collect bit-rate and packet-rate statistics. The default values for each counter is as follows: 1—30 seconds (60 seconds for VLAN) 2—300 seconds 3—not configured
<b>Step 4</b>	<b>show interface</b> <i>interface</i> <b>Example:</b> <pre>switch(config)# show interface ethernet 2/2 switch#</pre>	(Optional) Displays the interface status, which includes the counters.
<b>Step 5</b>	<b>exit</b> <b>Example:</b> <pre>switch(config-if-range)# exit switch(config)#</pre>	Exits the interface mode.
<b>Step 6</b>	<b>copy running-config startup-config</b> <b>Example:</b> <pre>switch(config)# copy running-config startup-config</pre>	(Optional) Copies the running configuration to the startup configuration.

### Example

This example shows how to set the three sample intervals for the Ethernet port 3/1:

```
switch# configure terminal
switch(config)# interface ethernet 3/1
switch(config-if)# load-interval counter 1 60
switch(config-if)# load-interval counter 2 135
switch(config-if)# load-interval counter 3 225
switch(config-if)#
```

## Clearing Interface Counters

You can clear the Ethernet and management interface counters by using the **clear counters interface** command. You can perform this task from the configuration mode or interface configuration mode.

### SUMMARY STEPS

- clear counters interface** [all | ethernet *slot/port* | loopback *number* | mgmt *number* | port channel *channel-number*]
- show interface** *interface*
- show interface** [ethernet *slot/port* | port channel *channel-number*] **counters**

## DETAILED STEPS

## Procedure

	Command or Action	Purpose
<b>Step 1</b>	<b>clear counters interface</b> [ <b>all</b>   <b>ethernet</b> <i>slot/port</i>   <b>loopback</b> <i>number</i>   <b>mgmt</b> <i>number</i>   <b>port channel</b> <i>channel-number</i> ]  <b>Example:</b> <pre>switch# clear counters ethernet 2/1 switch#</pre>	Clears the interface counters.
<b>Step 2</b>	<b>show interface</b> <i>interface</i>  <b>Example:</b> <pre>switch# show interface ethernet 2/1 switch#</pre>	(Optional) Displays the interface status.
<b>Step 3</b>	<b>show interface</b> [ <b>ethernet</b> <i>slot/port</i>   <b>port channel</b> <i>channel-number</i> ] <b>counters</b>  <b>Example:</b> <pre>switch# show interface ethernet 2/1 counters switch#</pre>	(Optional) Displays the interface counters.

**Example**

This example shows how to clear the counters on Ethernet port 5/5:

```
switch# clear counters interface ethernet 5/5
switch#
```





## CHAPTER 4

# Configuring Layer 2 Interfaces

- [Information About Ethernet Interfaces, on page 51](#)
- [Guidelines and Limitations for Layer 2 Interfaces, on page 53](#)
- [Interface Speed, on page 53](#)
- [40-Gigabit Ethernet Interface Speed, on page 54](#)
- [SVI Autostate, on page 54](#)
- [Cisco Discovery Protocol, on page 55](#)
- [Error-Disabled State, on page 55](#)
- [Default Interfaces, on page 56](#)
- [Debounce Timer Parameters, on page 56](#)
- [MTU Configuration, on page 57](#)
- [Default Physical Ethernet Settings , on page 58](#)
- [Displaying Interface Information, on page 59](#)

## Information About Ethernet Interfaces

The Ethernet ports can operate as standard Ethernet interfaces connected to servers or to a LAN.

The Ethernet interfaces are enabled by default.

## Interface Command

You can enable the various capabilities of the Ethernet interfaces on a per-interface basis using the **interface** command. When you enter the **interface** command, you specify the following information:

The interface numbering convention is extended to support use with a Cisco Nexus Fabric Extender as follows:

```
switch(config)# interface ethernet [chassis/]slot/port
```

- The chassis ID is an optional entry that you can use to address the ports of a connected Fabric Extender. The chassis ID is configured on a physical Ethernet or EtherChannel interface on the switch to identify the Fabric Extender discovered through the interface. The chassis ID ranges from 100 to 199.

## Unidirectional Link Detection Parameter

The Cisco-proprietary Unidirectional Link Detection (UDLD) protocol allows ports that are connected through fiber optics or copper (for example, Category 5 cabling) Ethernet cables to monitor the physical configuration of the cables and detect when a unidirectional link exists. When the switch detects a unidirectional link, UDLD shuts down the affected LAN port and alerts the user. Unidirectional links can cause a variety of problems, including spanning tree topology loops.

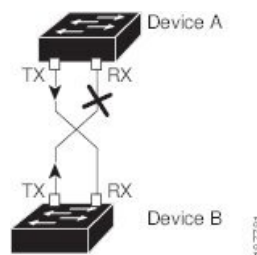
UDLD is a Layer 2 protocol that works with the Layer 1 protocols to determine the physical status of a link. At Layer 1, autonegotiation takes care of physical signaling and fault detection. UDLD performs tasks that autonegotiation cannot perform, such as detecting the identities of neighbors and shutting down misconnected LAN ports. When you enable both autonegotiation and UDLD, Layer 1 and Layer 2 detections work together to prevent physical and logical unidirectional connections and the malfunctioning of other protocols.

A unidirectional link occurs whenever traffic transmitted by the local device over a link is received by the neighbor but traffic transmitted from the neighbor is not received by the local device. If one of the fiber strands in a pair is disconnected, and if autonegotiation is active, the link does not stay up. In this case, the logical link is undetermined, and UDLD does not take any action. If both fibers are working normally at Layer 1, then UDLD at Layer 2 determines whether those fibers are connected correctly and whether traffic is flowing bidirectionally between the correct neighbors. This check cannot be performed by autonegotiation, because autonegotiation operates at Layer 1.

A Cisco Nexus device periodically transmits UDLD frames to neighbor devices on LAN ports with UDLD enabled. If the frames are echoed back within a specific time frame and they lack a specific acknowledgment (echo), the link is flagged as unidirectional and the LAN port is shut down. Devices on both ends of the link must support UDLD in order for the protocol to successfully identify and disable unidirectional links.

The following figure shows an example of a unidirectional link condition. Device B successfully receives traffic from Device A on the port. However, Device A does not receive traffic from Device B on the same port. UDLD detects the problem and disables the port.

**Figure 2: Unidirectional Link**



## Default UDLD Configuration

The following table shows the default UDLD configuration.

**Table 5: UDLD Default Configuration**

Feature	Default Value
UDLD global enable state	Globally disabled
UDLD aggressive mode	Disabled
UDLD per-port enable state for fiber-optic media	Enabled on all Ethernet fiber-optic LAN ports

Feature	Default Value
UDLD per-port enable state for twisted-pair (copper) media	Disabled on all Ethernet 10/100 and 1000BASE-TX LAN ports

## UDLD Aggressive and Nonaggressive Modes

UDLD aggressive mode is disabled by default. You can configure UDLD aggressive mode only on point-to-point links between network devices that support UDLD aggressive mode. If UDLD aggressive mode is enabled, when a port on a bidirectional link that has a UDLD neighbor relationship established stops receiving UDLD frames, UDLD tries to reestablish the connection with the neighbor. After eight failed retries, the port is disabled.

To prevent spanning tree loops, nonaggressive UDLD with the default interval of 15 seconds is fast enough to shut down a unidirectional link before a blocking port transitions to the forwarding state (with default spanning tree parameters).

When you enable the UDLD aggressive mode, the following occurs:

- One side of a link has a port stuck (both transmission and receive)
- One side of a link remains up while the other side of the link is down

In these cases, the UDLD aggressive mode disables one of the ports on the link, which prevents traffic from being discarded.

## Guidelines and Limitations for Layer 2 Interfaces

Layer 2 interfaces have the following configuration guidelines and limitations:

- Auto-negotiation is not supported.
- 1G autonegotiation not supported on N3K-C36180YC-R and N9K-X96136YC-R switches. To work around this issue, you must manually set speed to 1000. If autonegotiation is enabled on the neighbors, you must disable autonegotiation on those neighbors.
- On Cisco Nexus N3K-C3636C-R and N3K-C36180YC-R switches, auto-negotiation may not work on ports 49-64 when bringing up 100G links using QSFP-100G-CR4 cable. To work around this issue, you must hard-code the speed on ports 49-64 and disable auto-negotiation

## Interface Speed

Cisco Nexus 36180YC-R switches have 48 small form-factor pluggable (SFP) ports with a default speed of 10 G and 6 quad small form-factor pluggable (QSFP) ports with a default speed of 100 G. 48 SFP interface ports can support 25 G, 10 G, 1 G speeds. 6 QSFP interface ports can support 100 G and 40 G speeds.

In the first 48 ports, each 4 ports in the port group must have the same speed configured. You cannot configure one port at a time which might result in an error. For more information, see [CSCve80686](#).

Table 6: Breakout Modes Support Matrix

Switches	4x10G	4x25G	2x50G
N3K-C3636C-R	Yes	Yes	Yes
N3K-C36180YC-R	Yes	Yes	Yes

## 40-Gigabit Ethernet Interface Speed

You can operate QSFP ports as either 40-Gigabit Ethernet or 4x10-Gigabit Ethernet modes on Cisco Nexus 3600 platform switches. By default, there are 6 QSFP interface ports numbered 49 to 54 which can operated in 40-Gigabit Ethernet mode. These 40-Gigabit Ethernet ports are numbered in a 2-tuple naming convention. For example, the second 40-Gigabit Ethernet port is numbered as 1/50. The process of changing the configuration from 40-Gigabit Ethernet to 10-Gigabit Ethernet is called breakout and the process of changing the configuration from 10-Gigabit Ethernet to Gigabit Ethernet is called breakin. When you break out a 40-Gigabit Ethernet port into 10-Gigabit Ethernet ports, the resulting ports are numbered using a 3-tuple naming convention. For example, the break-out ports of the second 40-Gigabit Ethernet port are numbered as 1/49/1, 1/49/2, 1/49/3, 1/49/4.



**Note** The breakout ports are in administratively enabled state after the breakout of the 40G ports into 4x10G mode or the breaking of the 100G ports into 4x25G mode. On upgrade from the earlier releases, the configuration restored takes care of restoring the appropriate administrative state of the ports.



**Note** When you break out from 40-Gigabit Ethernet to 10-Gigabit Ethernet, or break in from 10-Gigabit Ethernet to 40-Gigabit Ethernet, all interface configurations are reset, and the affected ports are administratively unavailable. To make these ports available, use the **no shut** command.



**Note** A new QSFP+ 40-Gb transceiver is supported on the Cisco Nexus 3600 platform switches. The new QSFP+ (40-Gb) transceiver has a cable that splits into four 10Gb SFP-10G-LR transceivers. To use it, you need the port to be in 4x10G mode. If you are using the breakout cable, you need to run that 40G port in 4x10G mode.

The ability to break out a 40-Gigabit Ethernet port into four 10-Gigabit Ethernet ports and break in four 10-Gigabit Ethernet ports into a 40-Gigabit Ethernet port dynamically allows you to use any of the breakout-capable ports to work in the 40-Gigabit Ethernet or 10-Gigabit Ethernet modes without permanently defining them.

## SVI Autostate

The Switch Virtual Interface (SVI) represents a logical interface between the bridging function and the routing function of a VLAN in the device. By default, when a VLAN interface has multiple ports in the VLAN, the SVI goes to the down state when all the ports in the VLAN go down.

Autostate behavior is the operational state of an interface that is governed by the state of the various ports in its corresponding VLAN. An SVI interface on a VLAN comes up when there is at least one port in that vlan that is in STP forwarding state. Similarly, this interface goes down when the last STP forwarding port goes down or goes to another STP state.

By default, Autostate calculation is enabled. You can disable Autostate calculation for an SVI interface and change the default value.

## Cisco Discovery Protocol

The Cisco Discovery Protocol (CDP) is a device discovery protocol that runs over Layer 2 (the data link layer) on all Cisco-manufactured devices (routers, bridges, access servers, and switches) and allows network management applications to discover Cisco devices that are neighbors of already known devices. With CDP, network management applications can learn the device type and the Simple Network Management Protocol (SNMP) agent address of neighboring devices that are running lower-layer, transparent protocols. This feature enables applications to send SNMP queries to neighboring devices.

CDP runs on all media that support Subnetwork Access Protocol (SNAP). Because CDP runs over the data-link layer only, two systems that support different network-layer protocols can learn about each other.

Each CDP-configured device sends periodic messages to a multicast address, advertising at least one address at which it can receive SNMP messages. The advertisements also contain time-to-live, or holdtime information, which is the length of time a receiving device holds CDP information before discarding it. Each device also listens to the messages sent by other devices to learn about neighboring devices.

The switch supports both CDP Version 1 and Version 2.

## Default CDP Configuration

The following table shows the default CDP configuration.

*Table 7: Default CDP Configuration*

Feature	Default Setting
CDP interface state	Enabled
CDP timer (packet update frequency)	60 seconds
CDP holdtime (before discarding)	180 seconds
CDP Version-2 advertisements	Enabled

## Error-Disabled State

An interface is in the error-disabled (err-disabled) state when the interface is enabled administratively (using the **no shutdown** command) but disabled at runtime by any process. For example, if UDLD detects a unidirectional link, the interface is shut down at runtime. However, because the interface is administratively enabled, the interface status displays as err-disabled. Once an interface goes into the err-disabled state, you

must manually reenable it or you can configure an automatic timeout recovery value. The err-disabled detection is enabled by default for all causes. The automatic recovery is not configured by default.

When an interface is in the err-disabled state, use the **errdisable detect cause** command to find information about the error.

You can configure the automatic err-disabled recovery timeout for a particular err-disabled cause by changing the time variable.

The **errdisable recovery cause** command provides automatic recovery after 300 seconds. To change the recovery period, use the **errdisable recovery interval** command to specify the timeout period. You can specify 30 to 65535 seconds.

To disable recovery of an interface from the err-disabled state, use the **no errdisable recovery cause** command.

The various options for the **errdisable recover cause** command are as follows:

- **all**—Enables a timer to recover from all causes.
- **bpduguard**—Enables a timer to recover from the bridge protocol data unit (BPDU) Guard error-disabled state.
- **failed-port-state**—Enables a timer to recover from a Spanning Tree Protocol (STP) set port state failure.
- **link-flap**—Enables a timer to recover from linkstate flapping.
- **pause-rate-limit**—Enables a timer to recover from the pause rate limit error-disabled state.
- **udld**—Enables a timer to recover from the Unidirectional Link Detection (UDLD) error-disabled state.
- **loopback**—Enables a timer to recover from the loopback error-disabled state.

If you do not enable the err-disabled recovery for the cause, the interface stays in the err-disabled state until you enter the **shutdown** and **no shutdown** commands. If the recovery is enabled for a cause, the interface is brought out of the err-disabled state and allowed to retry operation once all the causes have timed out. Use the **show interface status err-disabled** command to display the reason behind the error.

## Default Interfaces

You can use the default interface feature to clear the configured parameters for both physical and logical interfaces such as the Ethernet, loopback, management, VLAN, and the port-channel interface.

## Debounce Timer Parameters

The debounce timer delays notification of a link change, which can decrease traffic loss due to network reconfiguration. You can configure the debounce timer separately for each Ethernet port and specify the delay time in milliseconds. The delay time can range from 0 milliseconds to 5000 milliseconds. By default, this parameter is set for 100 milliseconds, which results in the debounce timer not running. When this parameter is set to 0 milliseconds, the debounce timer is disabled.



**Caution** Enabling the debounce timer causes the link-down detections to be delayed, which results in a loss of traffic during the debounce period. This situation might affect the convergence and reconvergence of some Layer 2 and Layer 3 protocols.

## MTU Configuration

The switch does not fragment frames. As a result, the switch cannot have two ports in the same Layer 2 domain with different maximum transmission units (MTUs). A per-physical Ethernet interface MTU is not supported. Instead, the MTU is set according to the QoS classes. You modify the MTU by setting class and policy maps.



**Note** When you show the interface settings, a default MTU of 1500 is displayed for physical Ethernet interfaces.

## Counter Values

See the following information on the configuration, packet size, incremented counter values, and traffic.

Configuration	Packet Size	Incremented Counters	Traffic
L2 port – without any MTU configuration	6400 and 10000	Jumbo, giant, and input error	Dropped
L2 port – with jumbo MTU 9216 in network-qos configuration	6400	Jumbo	Forwarded
L2 port – with jumbo MTU 9216 in network-qos configuration	10000	Jumbo, giant, and input error	Dropped
Layer 3 port with default Layer 3 MTU and jumbo MTU 9216 in network-qos configuration	6400	Jumbo	Packets are punted to the CPU (subjected to CoPP configs), get fragmented, and then they are forwarded by the software.
Layer 3 port with default Layer 3 MTU and jumbo MTU 9216 in network-qos configuration	6400	Jumbo	Packets are punted to the CPU (subjected to CoPP configs), get fragmented, and then they are forwarded by the software.

Configuration	Packet Size	Incremented Counters	Traffic
Layer 3 port with default Layer 3 MTU and jumbo MTU 9216 in network-qos configuration	10000	Jumbo, giant, and input error	Dropped
Layer 3 port with jumbo Layer 3 MTU and jumbo MTU 9216 in network-qos configuration	6400	Jumbo	Forwarded without any fragmentation.
Layer 3 port with jumbo Layer 3 MTU and jumbo MTU 9216 in network-qos configuration	10000	Jumbo, giant, and input error	Dropped
Layer 3 port with jumbo Layer 3 MTU and default L2 MTU configuration	6400 and 10000	Jumbo, giant, and input error	Dropped

**Note**

- Under 64 bytes packet with good CRC—The short frame counter increments.
- Under 64 bytes packet with bad CRC—The runts counter increments.
- Greater than 64 bytes packet with bad CRC—The CRC counter increments.

## Downlink Delay

You can operationally enable uplink SFP+ ports before downlink RJ-45 ports after a reload on a Cisco Nexus 3048 switch. You must delay enabling the RJ-45 ports in the hardware until the SFP+ ports are enabled.

You can configure a timer that during reload enables the downlink RJ-45 ports in hardware only after the specified timeout. This process allows the uplink SFP+ ports to be operational first. The timer is enabled in the hardware for only those ports that are admin-enable.

Downlink delay is disabled by default and must be explicitly enabled. When enabled, if the delay timer is not specified, it is set for a default delay of 20 seconds.

## Default Physical Ethernet Settings

The following table lists the default settings for all physical Ethernet interfaces:

Parameter	Default Setting
Duplex	Auto (full-duplex)
Encapsulation	ARPA

Parameter	Default Setting
MTU <sup>1</sup>	1500 bytes
Port Mode	Access
Speed	Auto (10000)

<sup>1</sup> MTU cannot be changed per-physical Ethernet interface. You modify MTU by selecting maps of QoS classes.

## Displaying Interface Information

To view configuration information about the defined interfaces, perform one of these tasks:

Command	Purpose
switch# <b>show interface</b> <i>type slot/port</i>	Displays the detailed configuration of the specified interface.
switch# <b>show interface</b> <i>type slot/port</i> <b>capabilities</b>	Displays detailed information about the capabilities of the specified interface. This option is available only for physical interfaces.
switch# <b>show interface</b> <i>type slot/port</i> <b>transceiver</b>	Displays detailed information about the transceiver connected to the specified interface. This option is available only for physical interfaces.
switch# <b>show interface brief</b>	Displays the status of all interfaces.
switch# <b>show interface flowcontrol</b>	Displays the detailed listing of the flow control settings on all interfaces.

The **show interface** command is invoked from EXEC mode and displays the interface configurations. Without any arguments, this command displays the information for all the configured interfaces in the switch.

This example shows how to display the physical Ethernet interface:

```
switch# show interface ethernet 1/1
Ethernet1/1 is up
Hardware is 1000/10000 Ethernet, address is 000d.eca3.5f08 (bia 000d.eca3.5f08)
MTU 1500 bytes, BW 10000000 Kbit, DLY 10 usec,
    reliability 255/255, txload 190/255, rxload 192/255
Encapsulation ARPA
Port mode is trunk
full-duplex, 10 Gb/s, media type is 1/10g
Input flow-control is off, output flow-control is off
Auto-mdix is turned on
Rate mode is dedicated
Switchport monitor is off
Last clearing of "show interface" counters never
5 minute input rate 942201806 bytes/sec, 14721892 packets/sec
5 minute output rate 935840313 bytes/sec, 14622492 packets/sec
Rx
 129141483840 input packets 0 unicast packets 129141483847 multicast packets
 0 broadcast packets 0 jumbo packets 0 storm suppression packets
```

```

8265054965824 bytes
0 No buffer 0 runt 0 Overrun
0 crc 0 Ignored 0 Bad etype drop
0 Bad proto drop
Tx
119038487241 output packets 119038487245 multicast packets
0 broadcast packets 0 jumbo packets
7618463256471 bytes
0 output CRC 0 ecc
0 underrun 0 if down drop      0 output error 0 collision 0 deferred
0 late collision 0 lost carrier 0 no carrier
0 babble
0 Rx pause 8031547972 Tx pause 0 reset

```

This example shows how to display the physical Ethernet capabilities:

```

switch# show interface ethernet 1/1 capabilities
Ethernet1/1
Model:                734510033
Type:                 10Gbase-(unknown)
Speed:                1000,10000
Duplex:               full
Trunk encap. type:   802.1Q
Channel:              yes
Broadcast suppression: percentage(0-100)
Flowcontrol:         rx-(off/on),tx-(off/on)
Rate mode:            none
QOS scheduling:       rx-(6qlt),tx-(1p6q0t)
CoS rewrite:          no
ToS rewrite:          no
SPAN:                 yes
UDLD:                 yes
MDIX:                 no
FEX Fabric:           yes

```

This example shows how to display the physical Ethernet transceiver:

```

switch# show interface ethernet 1/1 transceiver
Ethernet1/1
sfp is present
name is CISCO-EXCELIGHT
part number is SPP5101SR-C1
revision is A
serial number is ECL120901AV
nominal bitrate is 10300 Mbits/sec
Link length supported for 50/125mm fiber is 82 m(s)
Link length supported for 62.5/125mm fiber is 26 m(s)
cisco id is --
cisco extended id number is 4

```

This example shows how to display a brief interface status (some of the output has been removed for brevity):

```
switch# show interface brief
```

```

-----
Ethernet      VLAN   Type Mode   Status Reason          Speed   Port
Interface                                           Ch #
-----
Eth1/1        200   eth trunk up      none          10G(D) --
Eth1/2        1     eth trunk up      none          10G(D) --
Eth1/3        300   eth access down   SFP not inserted 10G(D) --
Eth1/4        300   eth access down   SFP not inserted 10G(D) --
Eth1/5        300   eth access down   Link not connected 1000(D) --

```

```
Eth1/6      20    eth  access down    Link not connected    10G(D) --
Eth1/7      300   eth  access down    SFP not inserted      10G(D) --
...
```

This example shows how to display the CDP neighbors:

```
switch# show cdp neighbors
Capability Codes: R - Router, T - Trans-Bridge, B - Source-Route-Bridge
                  S - Switch, H - Host, I - IGMP, r - Repeater,
                  V - VoIP-Phone, D - Remotely-Managed-Device,
                  s - Supports-STP-Dispute

Device ID          Local Intrfce  Hldtme  Capability  Platform      Port ID
dl3-dist-1         mgmt0         148     S I         WS-C2960-24TC Fas0/9
n5k (FLC12080012) Eth1/5         8       S I s      N5K-C5020P-BA Eth1/5
```





## CHAPTER 5

# Configuring Layer 3 Interfaces

---

- [Information About Layer 3 Interfaces, on page 63](#)
- [Routed Interfaces, on page 63](#)
- [Subinterfaces, on page 64](#)
- [VLAN Interfaces, on page 65](#)
- [Changing VRF Membership for an Interface, on page 66](#)
- [Notes About Changing VRF Membership for an Interface, on page 66](#)
- [Loopback Interfaces, on page 67](#)
- [IP Unnumbered, on page 67](#)
- [Tunnel Interfaces, on page 67](#)
- [Guidelines and Limitations for Layer 3 Interfaces, on page 67](#)
- [Default Settings for Layer 3 Interfaces, on page 68](#)
- [SVI Autostate Disable, on page 68](#)
- [Configuring Layer 3 Interfaces, on page 68](#)
- [Verifying the Layer 3 Interfaces Configuration, on page 81](#)
- [Monitoring Layer 3 Interfaces, on page 82](#)
- [Configuration Examples for Layer 3 Interfaces, on page 83](#)
- [Related Documents for Layer 3 Interfaces, on page 84](#)

## Information About Layer 3 Interfaces

Layer 3 interfaces forward packets to another device using static or dynamic routing protocols. You can use Layer 3 interfaces for IP routing and inter-VLAN routing of Layer 2 traffic.

## Routed Interfaces

You can configure a port as a Layer 2 interface or a Layer 3 interface. A routed interface is a physical port that can route IP traffic to another device. A routed interface is a Layer 3 interface only and does not support Layer 2 protocols, such as the Spanning Tree Protocol (STP).

All Ethernet ports are Layer 2 (switchports) by default. You can change this default behavior using the **no switchport** command from interface configuration mode. To change multiple ports at one time, you can specify a range of interfaces and then apply the **no switchport** command.

You can assign an IP address to the port, enable routing, and assign routing protocol characteristics to this routed interface.

You can assign a static MAC address to a Layer 3 interface. The default MAC address for a Layer 3 interface is the MAC address of the virtual device context (VDC) that is associated with it. You can change the default MAC address of the Layer 3 interface by using the **mac-address** command from the interface configuration mode. A static MAC address can be configured on SVI, Layer 3 interfaces, port channels, Layer 3 subinterfaces, and tunnel interfaces. You can also configure static MAC addresses on a range of ports and port channels. However, all ports must be in Layer 3. Even if one port in the range of ports is in Layer 2, the command is rejected and an error message appears. For information on configuring MAC addresses, see the Layer 2 Switching Configuration Guide for your device.

You can also create a Layer 3 port channel from routed interfaces.

Routed interfaces and subinterfaces support exponentially decayed rate counters. Cisco NX-OS tracks the following statistics with these averaging counters:

- Input packets/sec
- Output packets/sec
- Input bytes/sec
- Output bytes/sec

## Subinterfaces

You can create virtual subinterfaces on a parent interface configured as a Layer 3 interface. A parent interface can be a physical port or a port channel.

Subinterfaces divide the parent interface into two or more virtual interfaces on which you can assign unique Layer 3 parameters such as IP addresses and dynamic routing protocols. The IP address for each subinterface should be in a different subnet from any other subinterface on the parent interface.

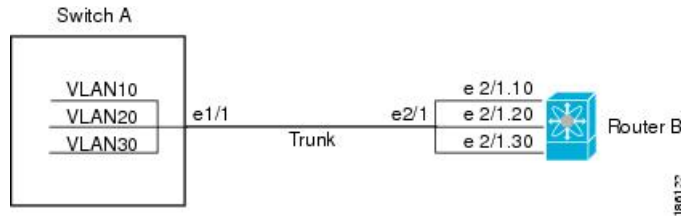
You create a subinterface with a name that consists of the parent interface name (for example, Ethernet 2/1) followed by a period and then by a number that is unique for that subinterface. For example, you could create a subinterface for Ethernet interface 2/1 named Ethernet 2/1.1 where .1 indicates the subinterface.

Cisco NX-OS enables subinterfaces when the parent interface is enabled. You can shut down a subinterface independent of shutting down the parent interface. If you shut down the parent interface, Cisco NX-OS shuts down all associated subinterfaces as well.

One use of subinterfaces is to provide unique Layer 3 interfaces to each VLAN that is supported by the parent interface. In this scenario, the parent interface connects to a Layer 2 trunking port on another device. You configure a subinterface and associate the subinterface to a VLAN ID using 802.1Q trunking.

The following figure shows a trunking port from a switch that connects to router B on interface E 2/1. This interface contains three subinterfaces that are associated with each of the three VLANs that are carried by the trunking port.

Figure 3: Subinterfaces for VLANs



## VLAN Interfaces

A VLAN interface or a switch virtual interface (SVI) is a virtual routed interface that connects a VLAN on the device to the Layer 3 router engine on the same device. Only one VLAN interface can be associated with a VLAN, but you need to configure a VLAN interface for a VLAN only when you want to route between VLANs or to provide IP host connectivity to the device through a virtual routing and forwarding (VRF) instance that is not the management VRF. When you enable VLAN interface creation, Cisco NX-OS creates a VLAN interface for the default VLAN (VLAN 1) to permit remote switch administration.

You must enable the VLAN network interface feature before you can configure it. The system automatically takes a checkpoint prior to disabling the feature, and you can roll back to this checkpoint. For information about rollbacks and checkpoints, see the System Management Configuration Guide for your device.

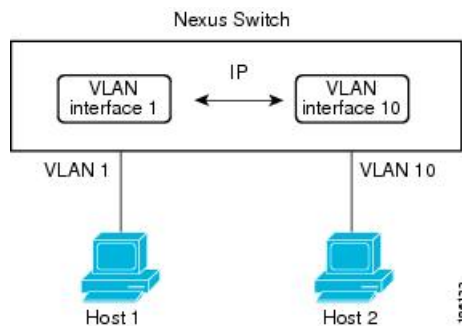


**Note** You cannot delete the VLAN interface for VLAN 1.

You can route across VLAN interfaces to provide Layer 3 inter-VLAN routing by configuring a VLAN interface for each VLAN that you want to route traffic to and assigning an IP address on the VLAN interface. For more information on IP addresses and IP routing, see the Unicast Routing Configuration Guide for your device.

The following figure shows two hosts connected to two VLANs on a device. You can configure VLAN interfaces for each VLAN that allows Host 1 to communicate with Host 2 using IP routing between the VLANs. VLAN 1 communicates at Layer 3 over VLAN interface 1 and VLAN 10 communicates at Layer 3 over VLAN interface 10.

Figure 4: Connecting Two VLANs with VLAN Interfaces



## Changing VRF Membership for an Interface

When you enter the **vrf member** command under an interface, you receive an alert regarding the deletion of interface configurations and to notify the clients/listeners (such as CLI-Server) to delete configurations with respect to the interface.

Entering the **system vrf-member-change retain-l3-config** command enables the retention of the Layer 3 configuration when the VRF member changes on the interface. It does this by sending notification to the clients/listeners to store (buffer) the existing configurations, delete the configurations from the old vrf context, and reapply the stored configurations under the new VRF context.



---

**Note** When the **system vrf-member-change retain-l3-config** command is enabled, the Layer 3 configuration is not deleted and remains stored (buffered). When this command is not enabled (default mode), the Layer 3 configuration is not retained when the VRF member changes.

---

You can disable the retention of the Layer 3 configuration with the **no system vrf-member-change retain-l3-config** command. In this mode, the Layer 3 configuration is not retained when the VRF member changes.

## Notes About Changing VRF Membership for an Interface

- Momentary traffic loss may occur when changing the VRF name.
- Only the configurations under the interface level are processed when the **system vrf-member-change retain-l3-config** command is enabled. You must manually process any configurations at the router level to accommodate routing protocols after a VRF change.
- The **system vrf-member-change retain-l3-config** command supports interface level configurations with:
  - Layer 3 configurations maintained by the CLI Server, such as **ip address** and **ipv6 address** (secondary) and all OSPF/ISIS/EIGRP CLIs available under the interface configuration.
  - HSRP
  - DHCP Relay Agent CLIs, such as **ip dhcp relay address [use-vrf]** and **ipv6 dhcp relay address [use-vrf]**.
- For DHCP:
  - As a best practice, the client and server interface VRF should be changed one at a time. Otherwise, the DHCP packets cannot be exchanged on the relay agent.
  - When the client and server are in different VRFs, use the **ip dhcp relay address [use-vrf]** command to exchange the DHCP packets in the relay agent over the different VRFs.

## Loopback Interfaces

A loopback interface is a virtual interface with a single endpoint that is always up. Any packet that is transmitted over a loopback interface is immediately received by this interface. Loopback interfaces emulate a physical interface.

You can use loopback interfaces for performance analysis, testing, and local communications. Loopback interfaces can act as a termination address for routing protocol sessions. This loopback configuration allows routing protocol sessions to stay up even if some of the outbound interfaces are down.

## IP Unnumbered

The IP unnumbered feature enables the processing of IP packets on a point to point (p2p) interface without explicitly configuring a unique IP address on it. This approach borrows an IP address from another interface and conserves address space on point to point links.

Any interface which conforms to the point to point mode can be used as an IP unnumbered interface. The IP unnumbered feature is supported only on Ethernet interfaces and sub-interfaces. The borrowed interface can only be a loopback interface and is known as the numbered interface.

A loopback interface is ideal as a numbered interface in that it is always functionally up. However, because loopback interfaces are local to a switch/router, the reachability of unnumbered interfaces first needs to be established through static routes or by using an interior gateway protocol, such as OSPF or ISIS.

IP unnumbered feature is supported on port channel interfaces and sub-interfaces. The borrowed interface can only be a loopback interface and is known as the numbered interface.

## Tunnel Interfaces

Cisco NX-OS supports tunnel interfaces as IP tunnels. IP tunnels can encapsulate a same- layer or higher layer protocol and transport the result over IP through a tunnel that is created between two routers.



---

**Note** IP-in-IP tunnel encapsulation and decapsulation is not supported on Cisco Nexus N3K-C36180YC-R platform switches.

---

## Guidelines and Limitations for Layer 3 Interfaces

Layer 3 interfaces have the following configuration guidelines and limitations:

- EPBR is *not* supported on these Cisco Nexus 3600 platforms:
  - N3K-C36180YC-R
  - N3K-C3636C-R

- VLAN/SVI is not removed from the Layer 3 interface table, after the configuration is removed. The VLAN itself should be removed from the Layer 3 interface table.
- If you change a Layer 3 interface to a Layer 2 interface, Cisco NX-OS shuts down the interface, reenables the interface, and removes all configuration specific to Layer 3.
- If you change a Layer 2 interface to a Layer 3 interface, Cisco NX-OS shuts down the interface, reenables the interface, and deletes all configuration specific to Layer 2.
- Cisco Nexus 3000 Series switches punt multicast Layer 2 traffic to the CPU if the Layer 3 MTU is not the same for all Layer 3 interfaces, and if the MTU QoS was changed to jumbo. All Layer 3 interfaces must have the same Layer 3 MTU to avoid this issue.

## Default Settings for Layer 3 Interfaces

The default setting for the Layer 3 Admin state is Shut.

## SVI Autostate Disable

The SVI Autostate Disable feature enables the Switch Virtual Interface (SVI) to be in the “up” state even if no interface is in the “up” state in the corresponding VLAN.

An SVI is also a virtual routed interface that connects a VLAN on the device to the Layer 3 router engine on the same device. The ports in a VLAN determine the operational state of the corresponding SVI. An SVI interface on a VLAN comes “up” when at least one port in the corresponding VLAN is in the Spanning Tree Protocol (STP) forwarding state. Similarly, the SVI interface goes “down” when the last STP forwarding port goes down or to any other state. This characteristic of SVI is called 'Autostate'.

You can create SVIs to define Layer 2 or Layer 3 boundaries on VLANs, or use the SVI interface to manage devices. In the second scenario, the SVI Autostate Disable feature ensures that the SVI interface is in the “up” state even if no interface is in the “up” state in the corresponding VLAN.

## Configuring Layer 3 Interfaces

### Configuring a Routed Interface

#### SUMMARY STEPS

1. switch# **configure terminal**
2. switch(config)# **interface ethernet slot/port**
3. switch(config-if)# **no switchport**
4. switch(config-if)# **[ip|ipv6]ip-address/length**
5. (Optional) switch(config-if)# **medium {broadcast | p2p}**
6. (Optional) switch(config-if)# **show interfaces**
7. (Optional) switch(config-if)# **copy running-config startup-config**

## DETAILED STEPS

## Procedure

	Command or Action	Purpose
<b>Step 1</b>	switch# <b>configure terminal</b>	Enters global configuration mode.
<b>Step 2</b>	switch(config)# <b>interface ethernet</b> <i>slot/port</i>	Enters interface configuration mode.
<b>Step 3</b>	switch(config-if)# <b>no switchport</b>	Configures the interface as a Layer 3 interface and deletes any configuration specific to Layer 2 on this interface.  <b>Note</b> To convert a Layer 3 interface back into a Layer 2 interface, use the <b>switchport</b> command.
<b>Step 4</b>	switch(config-if)# [ <b>ip ipv6</b> ] <i>ip-address/length</i>	Configures an IP address for this interface.
<b>Step 5</b>	(Optional) switch(config-if)# <b>medium {broadcast   p2p}</b>	Configures the interface medium as either point to point or broadcast.  <b>Note</b> The default setting is broadcast, and this setting does not appear in any of the <b>show</b> commands. However, if you do change the setting to <b>p2p</b> , you will see this setting when you enter the <b>show running-config</b> command.
<b>Step 6</b>	(Optional) switch(config-if)# <b>show interfaces</b>	Displays the Layer 3 interface statistics.
<b>Step 7</b>	(Optional) switch(config-if)# <b>copy running-config startup-config</b>	Saves the change persistently through reboots and restarts by copying the running configuration to the startup configuration.

## Example

This example shows how to configure an IPv4-routed Layer 3 interface:

```
switch# configure terminal
switch(config)# interface ethernet 2/1
switch(config-if)# no switchport
switch(config-if)# ip address 192.0.2.1/8
switch(config-if)# copy running-config startup-config
```

## Configuring a Subinterface

### Before you begin

- Configure the parent interface as a routed interface.
- Create the port-channel interface if you want to create a subinterface on that port channel.

## SUMMARY STEPS

1. (Optional) `switch(config-if)# copy running-config startup-config`
2. `switch(config)# interface ethernet slot/port.number`
3. `switch(config-if)# [ip | ipv6] address ip-address/length`
4. `switch(config-if)# encapsulation dot1Q vlan-id`
5. (Optional) `switch(config-if)# show interfaces`
6. (Optional) `switch(config-if)# copy running-config startup-config`

## DETAILED STEPS

## Procedure

	Command or Action	Purpose
<b>Step 1</b>	(Optional) <code>switch(config-if)# copy running-config startup-config</code>	Saves the change persistently through reboots and restarts by copying the running configuration to the startup configuration.
<b>Step 2</b>	<code>switch(config)# interface ethernet slot/port.number</code>	Enters interface configuration mode. The range for the <i>slot</i> is from 1 to 255. The range for the <i>port</i> is from 1 to 128.
<b>Step 3</b>	<code>switch(config-if)# [ip   ipv6] address ip-address/length</code>	Configures an IP address for this interface.
<b>Step 4</b>	<code>switch(config-if)# encapsulation dot1Q vlan-id</code>	Configures IEEE 802.1Q VLAN encapsulation on the subinterface. The range for the <i>vlan-id</i> is from 2 to 4093.
<b>Step 5</b>	(Optional) <code>switch(config-if)# show interfaces</code>	Displays the Layer 3 interface statistics.
<b>Step 6</b>	(Optional) <code>switch(config-if)# copy running-config startup-config</code>	Saves the change persistently through reboots and restarts by copying the running configuration to the startup configuration.

## Example

This example shows how to create a subinterface:

```
switch# configure terminal
switch(config)# interface ethernet 2/1
switch(config-if)# ip address 192.0.2.1/8
switch(config-if)# encapsulation dot1Q 33
switch(config-if)# copy running-config startup-config
```

## Configuring the Bandwidth on an Interface

You can configure the bandwidth for a routed interface, port channel, or subinterface.

## SUMMARY STEPS

1. `switch# configure terminal`

2. switch(config)# **interface ethernet** *slot/port*
3. switch(config-if)# **bandwidth** [*value* | **inherit** [*value*]]
4. (Optional) switch(config-if)# **copy running-config startup-config**

## DETAILED STEPS

### Procedure

	Command or Action	Purpose
<b>Step 1</b>	switch# <b>configure terminal</b>	Enters global configuration mode.
<b>Step 2</b>	switch(config)# <b>interface ethernet</b> <i>slot/port</i>	Enters interface configuration mode. The range for the <i>slot</i> is from 1 to 255. The range for the <i>port</i> is from 1 to 128.
<b>Step 3</b>	switch(config-if)# <b>bandwidth</b> [ <i>value</i>   <b>inherit</b> [ <i>value</i> ]]	Configures the bandwidth parameter for a routed interface, port channel, or subinterface, as follows: <ul style="list-style-type: none"> <li>• <b>value</b>—Size of the bandwidth in kilobytes. The range is from 1 to 10000000.</li> <li>• <b>inherit</b>—Indicates that all subinterfaces of this interface inherit either the bandwidth value (if a value is specified) or the bandwidth of the parent interface (if a value is not specified).</li> </ul>
<b>Step 4</b>	(Optional) switch(config-if)# <b>copy running-config startup-config</b>	Saves the change persistently through reboots and restarts by copying the running configuration to the startup configuration.

### Example

This example shows how to configure Ethernet interface 2/1 with a bandwidth value of 80000:

```
switch# configure terminal
switch(config)# interface ethernet 2/1
switch(config-if)# bandwidth 80000
switch(config-if)# copy running-config startup-config
```

## Configuring a VLAN Interface

### SUMMARY STEPS

1. switch# **configure terminal**
2. switch(config)# **feature interface-vlan**
3. switch(config)# **interface vlan** *number*
4. switch(config-if)# [**ip** | **ipv6** ] **address** *ip-address/length*
5. switch(config-if)# **no shutdown**
6. (Optional) switch(config-if)# **show interface vlan** *number*

## 7. (Optional) switch(config-if)# **copy running-config startup-config**

### DETAILED STEPS

#### Procedure

	Command or Action	Purpose
<b>Step 1</b>	switch# <b>configure terminal</b>	Enters global configuration mode.
<b>Step 2</b>	switch(config)# <b>feature interface-vlan</b>	Enables VLAN interface mode.
<b>Step 3</b>	switch(config)# <b>interface vlan</b> <i>number</i>	Creates a VLAN interface. The <i>number</i> range is from 1 to 4094.
<b>Step 4</b>	switch(config-if)# [ <b>ip</b>   <b>ipv6</b> ] <b>address</b> <i>ip-address/length</i>	Configures an IP address for this interface.
<b>Step 5</b>	switch(config-if)# <b>no shutdown</b>	Brings the interface up administratively.
<b>Step 6</b>	(Optional) switch(config-if)# <b>show interface vlan</b> <i>number</i>	Displays the VLAN interface statistics. The <i>number</i> range is from 1 to 4094.
<b>Step 7</b>	(Optional) switch(config-if)# <b>copy running-config startup-config</b>	Saves the change persistently through reboots and restarts by copying the running configuration to the startup configuration.

#### Example

This example shows how to create a VLAN interface:

```
switch# configure terminal
switch(config)# feature interface-vlan
switch(config)# interface vlan 10
switch(config-if)# ip address 192.0.2.1/8
switch(config-if)# copy running-config startup-config
```

## Enabling Layer 3 Retention During VRF Membership Change

The following steps enable the retention of the Layer 3 configuration when changing the VRF membership on the interface.

### SUMMARY STEPS

1. **configure terminal**
2. **system vrf-member-change retain-l3-config**

## DETAILED STEPS

## Procedure

	Command or Action	Purpose
<b>Step 1</b>	<b>configure terminal</b> <b>Example:</b> <pre>switch# configure terminal switch(config)#</pre>	Enters configuration mode.
<b>Step 2</b>	<b>system vrf-member-change retain-l3-config</b> <b>Example:</b> <pre>switch(config)# system vrf-member-change retain-l3-config</pre> Warning: Will retain L3 configuration when vrf member change on interface.	Enables Layer 3 configuration retention during VRF membership change.  <b>Note</b> To disable the retention of the Layer 3 configuration, use the <b>no system vrf-member-change retain-l3-config</b> command.

## Configuring a Loopback Interface

### Before you begin

Ensure that the IP address of the loopback interface is unique across all routers on the network.

## SUMMARY STEPS

1. switch# **configure terminal**
2. switch(config)# **interface loopback** *instance*
3. switch(config-if)# [**ip | ipv6**] **address** *ip-address/length*
4. (Optional) switch(config-if)# **show interface loopback** *instance*
5. (Optional) switch(config-if)# **copy running-config startup-config**

## DETAILED STEPS

## Procedure

	Command or Action	Purpose
<b>Step 1</b>	switch# <b>configure terminal</b>	Enters global configuration mode.
<b>Step 2</b>	switch(config)# <b>interface loopback</b> <i>instance</i>	Creates a loopback interface. The <i>instance</i> range is from 0 to 1023.
<b>Step 3</b>	switch(config-if)# [ <b>ip   ipv6</b> ] <b>address</b> <i>ip-address/length</i>	Configures an IP address for this interface.
<b>Step 4</b>	(Optional) switch(config-if)# <b>show interface loopback</b> <i>instance</i>	Displays the loopback interface statistics. The <i>instance</i> range is from 0 to 1023.

	Command or Action	Purpose
<b>Step 5</b>	(Optional) switch(config-if)# <b>copy running-config startup-config</b>	Saves the change persistently through reboots and restarts by copying the running configuration to the startup configuration.

### Example

This example shows how to create a loopback interface:

```
switch# configure terminal
switch(config)# interface loopback 0
switch(config-if)# ip address 192.0.2.100/8
switch(config-if)# copy running-config startup-config
```

## Configuring IP Unnumbered on an Ethernet Interface

You can configure the IP unnumbered feature on an ethernet interface.

### SUMMARY STEPS

1. **configure terminal**
2. **interface ethernet *slot/port* port-channel**
3. **medium p2p**
4. **ip unnumbered *type number***

### DETAILED STEPS

#### Procedure

	Command or Action	Purpose
<b>Step 1</b>	<b>configure terminal</b>  <b>Example:</b> switch# <b>configure terminal</b> switch(config)#	Enters global configuration mode.
<b>Step 2</b>	<b>interface ethernet <i>slot/port</i> port-channel</b>  <b>Example:</b> switch(config)# <b>interface ethernet 1/1</b> switch(config-if)#  switch(config)# <b>interface port-channel 1/1</b> switch(config-if)#	Enters interface configuration mode. Supports Ethernet and Port-channel
<b>Step 3</b>	<b>medium p2p</b>  <b>Example:</b> switch(config-if)# <b>medium p2p</b>	Configures the interface medium as point to point.

	Command or Action	Purpose
<b>Step 4</b>	<b>ip unnumbered</b> <i>type number</i> <b>Example:</b> <pre>switch(config-if) # ip unnumbered loopback 100</pre>	Enables IP processing on an interface without assigning an explicit IP address to the interface.  <i>type</i> and <i>number</i> specify another interface on which the router has an assigned IP address. The interface specified cannot be another unnumbered interface.  <b>Note</b> <i>type</i> is limited to <b>loopback</b> . (7.0(3)I3(1) and later)

## Assigning an Interface to a VRF

### Before you begin

Assign the IP address for a tunnel interface after you have configured the interface for a VRF.

### SUMMARY STEPS

1. switch# **configure terminal**
2. switch(config)# **interface** *interface-typenumber*
3. switch(config-if)# **vrf member** *vrf-name*
4. switch(config-if)# FID cleanup[**ip | ipv6**]*ip-address/length*
5. (Optional) switch(config-if)# **show vrf** [*vrf-name*] **interface** *interface-type number*
6. (Optional) switch(config-if)# **show interfaces**
7. (Optional) switch(config-if)# **copy running-config startup-config**

### DETAILED STEPS

#### Procedure

	Command or Action	Purpose
<b>Step 1</b>	switch# <b>configure terminal</b>	Enters global configuration mode.
<b>Step 2</b>	switch(config)# <b>interface</b> <i>interface-typenumber</i>	Enters interface configuration mode.
<b>Step 3</b>	switch(config-if)# <b>vrf member</b> <i>vrf-name</i>	Adds this interface to a VRF.
<b>Step 4</b>	switch(config-if)# FID cleanup[ <b>ip   ipv6</b> ] <i>ip-address/length</i>	Configures an IP address for this interface. You must do this step after you assign this interface to a VRF.
<b>Step 5</b>	(Optional) switch(config-if)# <b>show vrf</b> [ <i>vrf-name</i> ] <b>interface</b> <i>interface-type number</i>	Displays VRF information.
<b>Step 6</b>	(Optional) switch(config-if)# <b>show interfaces</b>	Displays the Layer 3 interface statistics.
<b>Step 7</b>	(Optional) switch(config-if)# <b>copy running-config startup-config</b>	Saves the change persistently through reboots and restarts by copying the running configuration to the startup configuration.

### Example

This example shows how to add a Layer 3 interface to the VRF:

```
switch# configure terminal
switch(config)# interface loopback 0
switch(config-if)# vrf member RemoteOfficeVRF
switch(config-if)# ip address 209.0.2.1/16
switch(config-if)# copy running-config startup-config
```

## Configuring an Interface MAC Address

You can configure a static MAC address on SVI, Layer 3 interfaces, port channels, Layer 3 subinterfaces, and tunnel interfaces. You can also configure static MAC addresses on a range of ports and port channels. However, all ports must be in Layer 3. Even if one port in the range of ports is in Layer 2, the command is rejected and an error message appears.

### SUMMARY STEPS

1. switch# **configure terminal**
2. switch(config)# **interface ethernet slot/port**
3. switch(config-if)# [**no**] **mac-address static router MAC address**
4. switch(config-if)# **show interface ethernet slot/port**

### DETAILED STEPS

#### Procedure

	Command or Action	Purpose
<b>Step 1</b>	switch# <b>configure terminal</b>	Enters global configuration mode.
<b>Step 2</b>	switch(config)# <b>interface ethernet slot/port</b>	Enters interface configuration mode.
<b>Step 3</b>	switch(config-if)# [ <b>no</b> ] <b>mac-address static router MAC address</b>	Configures the interface MAC address. The <b>no</b> form removes the configuration. You can enter the MAC address in any one of the four supported formats: <ul style="list-style-type: none"> <li>• E.E.E</li> <li>• EE-EE-EE-EE-EE-EE</li> <li>• EE:EE:EE:EE:EE:EE</li> <li>• EEEE.EEEE.EEEE</li> </ul> Do not enter any of the following invalid MAC addresses: <ul style="list-style-type: none"> <li>• Null MAC address—0000.0000.0000</li> <li>• Broadcast MAC address—FFFF.FFFF.FFFF</li> <li>• Multicast MAC address—0100.DAAA.ADDD</li> </ul>
<b>Step 4</b>	switch(config-if)# <b>show interface ethernet slot/port</b>	(Optional) Displays all information for the interface.

### Example

This example shows how to configure an interface MAC address:

```

switch# configure terminal
switch(config)# interface ethernet 3/3
switch(config-if)# mac-address aaaa.bbbb.dddd
switch(config-if)# show interface ethernet 3/3
switch(config-if)#

```

## Configuring a MAC-Embedded IPv6 Address

### SUMMARY STEPS

1. switch# **configure terminal**
2. switch(config)# **interface** *type slot/port*
3. switch(config-if)# **no switchport**
4. switch(config-if)# **mac-address ipv6-extract**
5. switch(config-if)# **ipv6 address** *ip-address/length*
6. switch(config-if)# **ipv6 nd mac-extract [exclude nud-phase]**
7. (Optional) switch(config)# **show ipv6 icmp interface** *type slot/port*

### DETAILED STEPS

#### Procedure

	Command or Action	Purpose
<b>Step 1</b>	switch# <b>configure terminal</b>	Enters global configuration mode.
<b>Step 2</b>	switch(config)# <b>interface</b> <i>type slot/port</i>	Enters the interface configuration mode for the specified interface.
<b>Step 3</b>	switch(config-if)# <b>no switchport</b>	Configures the interface as a Layer 3 interface and deletes any configuration specific to Layer 2 on this interface.  <b>Note</b> To convert a Layer 3 interface back into a Layer 2 interface, use the <b>switchport</b> command.
<b>Step 4</b>	switch(config-if)# <b>mac-address ipv6-extract</b>	Extracts the MAC address embedded in the IPv6 address configured on the interface.  <b>Note</b> The MEv6 configuration is currently not supported with the EUI-64 format of IPv6 address.
<b>Step 5</b>	switch(config-if)# <b>ipv6 address</b> <i>ip-address/length</i>	Configures an IPv6 address for this interface.
<b>Step 6</b>	switch(config-if)# <b>ipv6 nd mac-extract [exclude nud-phase]</b>	Extracts the next-hop MAC address embedded in a next-hop IPv6 address.

	Command or Action	Purpose
		The <b>exclude nud-phase</b> option blocks packets during the ND phase only. When the <b>exclude nud-phase</b> option is not specified, packets are blocked during both ND and Neighbor Unreachability Detection (NUD) phases.
<b>Step 7</b>	(Optional) switch(config)# <b>show ipv6 icmp interface type slot/port</b>	Displays IPv6 Internet Control Message Protocol version 6 (ICMPv6) interface information.

### Example

This example shows how to configure a MAC-embedded IPv6 address with ND mac-extract enabled:

```
switch# configure terminal
Enter configuration commands, one per line. End with CNTL/Z.
switch(config)# interface ethernet 1/3
switch(config-if)# no switchport
switch(config-if)# mac-address ipv6-extract
switch(config-if)# ipv6 address 2002:1::10/64
switch(config-if)# ipv6 nd mac-extract
switch(config-if)# show ipv6 icmp interface ethernet 1/3
ICMPv6 Interfaces for VRF "default"
Ethernet1/3, Interface status: protocol-up/link-up/admin-up
  IPv6 address: 2002:1::10
  IPv6 subnet: 2002:1::/64
  IPv6 interface DAD state: VALID
  ND mac-extract : Enabled
  ICMPv6 active timers:
    Last Neighbor-Solicitation sent: 00:01:39
    Last Neighbor-Advertisement sent: 00:01:40
    Last Router-Advertisement sent: 00:01:41
    Next Router-Advertisement sent in: 00:03:34
  Router-Advertisement parameters:
    Periodic interval: 200 to 600 seconds
    Send "Managed Address Configuration" flag: false
    Send "Other Stateful Configuration" flag: false
    Send "Current Hop Limit" field: 64
    Send "MTU" option value: 1500
    Send "Router Lifetime" field: 1800 secs
    Send "Reachable Time" field: 0 ms
    Send "Retrans Timer" field: 0 ms
    Suppress RA: Disabled
    Suppress MTU in RA: Disabled
  Neighbor-Solicitation parameters:
    NS retransmit interval: 1000 ms
  ICMPv6 error message parameters:
    Send redirects: true
    Send unreachable: false
  ICMPv6-nd Statistics (sent/received):
    RAs: 3/0, RSs: 0/0, NAs: 2/0, NSs: 7/0, RDs: 0/0
    Interface statistics last reset: never
switch(config)#
```

This example shows how to configure a MAC-embedded IPv6 address with ND mac-extract (excluding NUD phase) enabled:

```
switch# configure terminal
Enter configuration commands, one per line. End with CNTL/Z.
```

```

switch(config)# interface ethernet 1/5
switch(config-if)# no switchport
switch(config-if)# mac-address ipv6-extract
switch(config-if)# ipv6 address 2002:2::10/64
switch(config-if)# ipv6 nd mac-extract exclude nud-phase
switch(config-if)# show ipv6 icmp interface ethernet 1/5
ICMPv6 Interfaces for VRF "default"
Ethernet1/5, Interface status: protocol-up/link-up/admin-up
  IPv6 address: 2002:2::10
  IPv6 subnet: 2002:2::/64
  IPv6 interface DAD state: VALID
  ND mac-extract : Enabled (Excluding NUD Phase)
  ICMPv6 active timers:
    Last Neighbor-Solicitation sent: 00:06:45
    Last Neighbor-Advertisement sent: 00:06:46
    Last Router-Advertisement sent: 00:02:18
    Next Router-Advertisement sent in: 00:02:24
  Router-Advertisement parameters:
    Periodic interval: 200 to 600 seconds
    Send "Managed Address Configuration" flag: false
    Send "Other Stateful Configuration" flag: false
    Send "Current Hop Limit" field: 64
    Send "MTU" option value: 1500
    Send "Router Lifetime" field: 1800 secs
    Send "Reachable Time" field: 0 ms
    Send "Retrans Timer" field: 0 ms
    Suppress RA: Disabled
    Suppress MTU in RA: Disabled
  Neighbor-Solicitation parameters:
    NS retransmit interval: 1000 ms
  ICMPv6 error message parameters:
    Send redirects: true
    Send unreachable: false
  ICMPv6-nd Statistics (sent/received):
    RAs: 6/0, RSs: 0/0, NAs: 2/0, NSs: 7/0, RDs: 0/0
    Interface statistics last reset: never
switch(config-if)#

```

## Configuring SVI Autostate Disable

You can configure a SVI to remain active even if no interfaces are up in the corresponding VLAN. This enhancement is called Autostate Disable.

### SUMMARY STEPS

1. switch# **configure terminal**
2. switch(config)# **[no] system default interface-vlan autostate**
3. switch(config)# **feature interface-vlan**
4. switch(config)# **interface vlan *vlan id***
5. (config-if)# **[no] autostate**
6. (config-if)# **end**
7. **show running-config interface vlan *vlan id***

## DETAILED STEPS

## Procedure

	Command or Action	Purpose
<b>Step 1</b>	switch# <b>configure terminal</b>	Enters global configuration mode.
<b>Step 2</b>	switch(config)# <b>[no] system default interface-vlan autostate</b>	Reenables the system default autostate behavior on Switching Virtual Interface (SVI) in a VLAN. Use the no form of the command to disable the autostate behavior on SVI.
<b>Step 3</b>	switch(config)# <b>feature interface-vlan</b>	Enables the creation of VLAN interfaces SVI.
<b>Step 4</b>	switch(config)# <b>interface vlan</b> <i>vlan id</i>	Disables the VLAN interface and enters interface configuration mode.
<b>Step 5</b>	(config-if)# <b>[no] autostate</b>	Disables the default autostate behavior of SVIs on the VLAN interface.
<b>Step 6</b>	(config-if)# <b>end</b>	Returns to privileged EXEC mode.
<b>Step 7</b>	<b>show running-config interface vlan</b> <i>vlan id</i>	(Optional) Displays the running configuration for a specific port channel.

## Example

This example shows how to configure the SVI Autostate Disable feature:

```
switch# configure terminal
switch(config)# system default interface-vlan autostate
switch(config)# feature interface-vlan
switch(config)# interface vlan 2
switch(config-if)# no autostate
switch(config-if)# end
```

## Configuring a DHCP Client on an Interface

You can configure the IP address of a DHCP client on an SVI, a management interface, or a physical Ethernet interface.

## SUMMARY STEPS

1. switch# **configure terminal**
2. switch(config)# **interface ethernet** *type slot/port* | **mgmt** *mgmt-interface-number* | **vlan** *vlan id*
3. switch(config-if)# **[no] ip** | **ipv6 address dhcp**
4. (Optional) switch(config)# **copy running-config startup-config**

## DETAILED STEPS

## Procedure

	Command or Action	Purpose
<b>Step 1</b>	switch# <b>configure terminal</b>	Enters global configuration mode.
<b>Step 2</b>	switch(config)# <b>interface ethernet</b> <i>type slot/port</i>   <b>mgmt</b> <i>mgmt-interface-number</i>   <b>vlan</b> <i>vlan id</i>	Creates a physical Ethernet interface, a management interface, or a VLAN interface.  The range of <i>vlan id</i> is from 1 to 4094.
<b>Step 3</b>	switch(config-if)# [ <b>no</b> ] <b>ip</b>   <b>ipv6 address dhcp</b>	Requests the DHCP server for an IPv4 or IPv6 address.  The <b>no</b> form of this command removes any address that was acquired.
<b>Step 4</b>	(Optional) switch(config)# <b>copy running-config startup-config</b>	Saves the change persistently through reboots and restarts by copying the running configuration to the startup configuration.

## Example

This example shows how to configure the IP address of a DHCP client on an SVI:

```
switch# configure terminal
switch(config)# interface vlan 15
switch(config-if)# ip address dhcp
```

This example shows how to configure an IPv6 address of a DHCP client on a management interface:

```
switch# configure terminal
switch(config)# interface mgmt 0
switch(config-if)# ipv6 address dhcp
```

## Verifying the Layer 3 Interfaces Configuration

Use one of the following commands to verify the configuration:

Command	Purpose
<b>show interface ethernet</b> <i>slot/port</i>	Displays the Layer 3 interface configuration, status, and counters (including the 5-minute exponentially decayed moving average of inbound and outbound packet and byte rates).
<b>show interface ethernet</b> <i>slot/port</i> <b>brief</b>	Displays the Layer 3 interface operational status.
<b>show interface ethernet</b> <i>slot/port</i> <b>capabilities</b>	Displays the Layer 3 interface capabilities, including port type, speed, and duplex.

Command	Purpose
<b>show interface ethernet</b> <i>slot/port</i> <b>description</b>	Displays the Layer 3 interface description.
<b>show interface ethernet</b> <i>slot/port</i> <b>status</b>	Displays the Layer 3 interface administrative status, port mode, speed, and duplex.
<b>show interface ethernet</b> <i>slot/port.number</i>	Displays the subinterface configuration, status, and counters (including the f-minute exponentially decayed moving average of inbound and outbound packet and byte rates).
<b>show interface port-channel</b> <i>channel-id.number</i>	Displays the port-channel subinterface configuration, status, and counters (including the 5-minute exponentially decayed moving average of inbound and outbound packet and byte rates).
<b>show interface loopback</b> <i>number</i>	Displays the loopback interface configuration, status, and counters.
<b>show interface loopback</b> <i>number</i> <b>brief</b>	Displays the loopback interface operational status.
<b>show interface loopback</b> <i>number</i> <b>description</b>	Displays the loopback interface description.
<b>show interface loopback</b> <i>number</i> <b>status</b>	Displays the loopback interface administrative status and protocol status.
<b>show interface vlan</b> <i>number</i>	Displays the VLAN interface configuration, status, and counters.
<b>show interface vlan</b> <i>number</i> <b>brief</b>	Displays the VLAN interface operational status.
<b>show interface vlan</b> <i>number</i> <b>description</b>	Displays the VLAN interface description.
<b>show interface vlan</b> <i>number</i> <b>status</b>	Displays the VLAN interface administrative status and protocol status.

## Monitoring Layer 3 Interfaces

Use one of the following commands to display statistics about the feature:

Command	Purpose
<b>load-interval</b> <i>seconds</i>   <b>counter</b> { <b>1</b>   <b>2</b>   <b>3</b> } <i>seconds</i>	Sets three different sampling intervals to bit-rate and packet-rate statistics. The range is from 5 seconds to 300 seconds.
<b>show interface ethernet</b> <i>slot/port</i> <b>counters</b>	Displays the Layer 3 interface statistics (unicast, multicast, and broadcast).

Command	Purpose
<b>show interface ethernet <i>slot/port</i> counters brief <i>load-interval-id</i></b>	Displays the Layer 3 interface input and output counters.  The load interval ID specifies a single load interval ID to display the input and output rates.  The load interval ID ranges between 1 and 3.
<b>show interface ethernet <i>slot/port</i> counters detailed [all]</b>	Displays the Layer 3 interface statistics. You can optionally include all 32-bit and 64-bit packet and byte counters (including errors).
<b>show interface ethernet <i>slot/port</i> counters error</b>	Displays the Layer 3 interface input and output errors.
<b>show interface ethernet <i>slot/port</i> counters snmp</b>	Displays the Layer 3 interface counters reported by SNMP MIBs. You cannot clear these counters.
<b>show interface ethernet <i>slot/port.number</i> counters</b>	Displays the subinterface statistics (unicast, multicast, and broadcast).
<b>show interface port-channel <i>channel-id.number</i> counters</b>	Displays the port-channel subinterface statistics (unicast, multicast, and broadcast).
<b>show interface loopback <i>number</i> counters</b>	Displays the loopback interface input and output counters (unicast, multicast, and broadcast).
<b>show interface loopback <i>number</i> counters detailed [all]</b>	Displays the loopback interface statistics. You can optionally include all 32-bit and 64-bit packet and byte counters (including errors).
<b>show interface loopback <i>number</i> counters errors</b>	Displays the loopback interface input and output errors.
<b>show interface vlan <i>number</i> counters</b>	Displays the VLAN interface input and output counters (unicast, multicast, and broadcast).
<b>show interface vlan <i>number</i> counters detailed [all]</b>	Displays the VLAN interface statistics. You can optionally include all Layer 3 packet and byte counters (unicast and multicast).
<b>show interface vlan <i>counters</i> snmp</b>	Displays the VLAN interface counters reported by SNMP MIBs. You cannot clear these counters.

## Configuration Examples for Layer 3 Interfaces

This example shows how to configure Ethernet subinterfaces:

```
switch# configuration terminal
switch(config)# interface ethernet 2/1.10
switch(config-if)# description Layer 3 for VLAN 10
```

```
switch(config-if)# encapsulation dot1q 10
switch(config-if)# ip address 192.0.2.1/8
switch(config-if)# copy running-config startup-config
```

This example shows how to configure a VLAN interface:

```
switch# configuration terminal
switch(config)# interface vlan 100
switch(config-if)# copy running-config startup-config
```

This example shows how to configure Switching Virtual Interface (SVI) Autostate Disable:

```
switch# configure terminal
switch(config)# system default interface-vlan autostate
switch(config)# feature interface-vlan
switch(config)# interface vlan 2
switch(config-if)# no autostate
switch(config-if)# end
switch# show running-config interface vlan 2
```

This example shows how to configure a loopback interface:

```
switch# configuration terminal
switch(config)# interface loopback 3
switch(config-if)# no switchport
switch(config-if)# ip address 192.0.2.2/32
switch(config-if)# copy running-config startup-config
```

This example shows how to configure the three sample load intervals for an Ethernet port:

```
switch# configure terminal
switch(config)# interface ethernet 1/3
switch(config-if)# load-interval counter 1 5
switch(config-if)# load-interval counter 2 135
switch(config-if)# load-interval counter 3 225
switch(config-if)#
```

## Related Documents for Layer 3 Interfaces

Related Topics	Document Title
Command syntax	<i>Cisco Nexus 3600 NX-OS Command Reference</i>
IP	“Configuring IP” chapter in the <i>Cisco Nexus 3600 NX-OS Unicast Routing Configuration Guide</i>
VLAN	“Configuring VLANs” chapter in the <i>Cisco Nexus 3600 NX-OS Layer 2 Switching Configuration Guide</i>



## CHAPTER 6

# Configuring Port Channels

- [Information About Port Channels, on page 85](#)
- [Understanding Port Channels, on page 86](#)
- [Compatibility Requirements, on page 86](#)
- [Load Balancing Using Port Channels, on page 88](#)
- [Symmetric Hashing, on page 89](#)
- [Understanding LACP, on page 90](#)
- [Guidelines and Limitations, on page 93](#)
- [Configuring Port Channels, on page 94](#)
- [Verifying Port Channel Configuration, on page 107](#)
- [Triggering the Port Channel Membership Consistency Checker, on page 108](#)
- [Verifying the Load-Balancing Outgoing Port ID , on page 109](#)
- [Port Profiles, on page 109](#)
- [Configuring Port Profiles, on page 111](#)
- [Creating a Port Profile, on page 111](#)
- [Entering Port-Profile Configuration Mode and Modifying a Port Profile, on page 112](#)
- [Assigning a Port Profile to a Range of Interfaces, on page 113](#)
- [Enabling a Specific Port Profile, on page 114](#)
- [Inheriting a Port Profile, on page 115](#)
- [Removing a Port Profile from a Range of Interfaces, on page 116](#)
- [Removing an Inherited Port Profile, on page 117](#)

## Information About Port Channels

A port channel bundles individual interfaces into a group to provide increased bandwidth and redundancy. Port channeling also load balances traffic across these physical interfaces. The port channel stays operational as long as at least one physical interface within the port channel is operational. If the min-links configuration is  $> 1$ , the port channel will go down if the min-links condition is not met.

You create a port channel by bundling compatible interfaces. You can configure and run either static port channels or port channels running the Link Aggregation Control Protocol (LACP).

Any configuration changes that you apply to the port channel are applied to each member interface of that port channel. For example, if you configure Spanning Tree Protocol (STP) parameters on the port channel, Cisco NX-OS applies those parameters to each interface in the port channel.

You can use static port channels, with no associated protocol, for a simplified configuration. For more efficient use of the port channel, you can use LACP, which is defined in IEEE 802.3ad. When you use LACP, the link passes protocol packets.

**Related Topics**

[LACP Overview](#), on page 90

## Understanding Port Channels

Using port channels, Cisco NX-OS provides wider bandwidth, redundancy, and load balancing across the channels.

You can collect ports into a static port channel or you can enable the Link Aggregation Control Protocol (LACP). Configuring port channels with LACP requires slightly different steps than configuring static port channels. For information on port channel configuration limits, see the *Verified Scalability* document for your platform. For more information about load balancing, see [Load Balancing Using Port Channels](#), on page 88.



---

**Note** Cisco NX-OS does not support Port Aggregation Protocol (PAgP) for port channels.

---

A port channel bundles individual links into a channel group to create a single logical link that provides the aggregate bandwidth of several physical links. If a member port within a port channel fails, traffic previously carried over the failed link switches to the remaining member ports within the port channel.

Each port can be in only one port channel. All the ports in a port channel must be compatible; they must use the same speed and operate in full-duplex mode. When you are running static port channels without LACP, the individual links are all in the on channel mode; you cannot change this mode without enabling LACP.



---

**Note** You cannot change the mode from ON to Active or from ON to Passive.

---

You can create a port channel directly by creating the port-channel interface, or you can create a channel group that acts to aggregate individual ports into a bundle. When you associate an interface with a channel group, Cisco NX-OS creates a matching port channel automatically if the port channel does not already exist. You can also create the port channel first. In this instance, Cisco NX-OS creates an empty channel group with the same channel number as the port channel and takes the default configuration.



---

**Note** A port channel is operationally up when at least one of the member ports is up and that port's status is channeling. The port channel is operationally down when all member ports are operationally down.

---

## Compatibility Requirements

When you add an interface to a port channel group, Cisco NX-OS checks certain interface attributes to ensure that the interface is compatible with the channel group. Cisco NX-OS also checks a number of operational attributes for an interface before allowing that interface to participate in the port-channel aggregation.

The compatibility check includes the following operational attributes:

- Port mode
- Access VLAN
- Trunk native VLAN
- Allowed VLAN list
- Speed
- 802.3x flow control setting
- MTU
- Broadcast/Unicast/Multicast Storm Control setting
- Priority-Flow-Control
- Untagged CoS

Use the **show port-channel compatibility-parameters** command to see the full list of compatibility checks that Cisco NX-OS uses.

You can only add interfaces configured with the channel mode set to on to static port channels. You can also only add interfaces configured with the channel mode as active or passive to port channels that are running LACP. You can configure these attributes on an individual member port.

When the interface joins a port channel, the following individual parameters are replaced with the values on the port channel:

- Bandwidth
- MAC address
- Spanning Tree Protocol

The following interface parameters remain unaffected when the interface joins a port channel:

- Description
- CDP
- LACP port priority
- Debounce

After you enable forcing a port to be added to a channel group by entering the **channel-group force** command, the following two conditions occur:

- When an interface joins a port channel, the following parameters are removed and they are operationally replaced with the values on the port channel; however, this change will not be reflected in the running configuration for the interface:
  - QoS
  - Bandwidth
  - Delay

- STP
- Service policy
- ACLs
- When an interface joins or leaves a port channel, the following parameters remain unaffected:
  - Beacon
  - Description
  - CDP
  - LACP port priority
  - Debounce
  - UDLD
  - Shutdown
  - SNMP traps

## Load Balancing Using Port Channels

Cisco NX-OS load balances traffic across all operational interfaces in a port channel by reducing part of the binary pattern formed from the addresses in the frame to a numerical value that selects one of the links in the channel. Port channels provide load balancing by default.

You can configure the switch to use one of the following methods (see the following table for more details) to load balance across the port channel:

- Destination MAC address
- Source MAC address
- Source and destination MAC address
- Destination IP address
- Source IP address
- Source and destination IP address
- Destination TCP/UDP port number
- Source TCP/UDP port number
- Source and destination TCP/UDP port number

**Table 8: Port Channel Load-Balancing Criteria**

Configuration	Layer 2 Criteria	Layer 3 Criteria	Layer 4 Criteria
Destination MAC	Destination MAC	Destination MAC	Destination MAC

Configuration	Layer 2 Criteria	Layer 3 Criteria	Layer 4 Criteria
Source MAC	Source MAC	Source MAC	Source MAC
Source and destination MAC	Source and destination MAC	Source and destination MAC	Source and destination MAC
Destination IP	Destination MAC	Destination MAC, destination IP	Destination MAC, destination IP
Source IP	Source MAC	Source MAC, source IP	Source MAC, source IP
Source and destination IP	Source and destination MAC	Source and destination MAC, source and destination IP	Source and destination MAC, source and destination IP
Destination TCP/UDP port	Destination MAC	Destination MAC, destination IP	Destination MAC, destination IP, destination port
Source TCP/UDP port	Source MAC	Source MAC, source IP	Source MAC, source IP, source port
Source and destination TCP/UDP port	Source and destination MAC	Source and destination MAC, source and destination IP	Source and destination MAC, source and destination IP, source and destination port

Use the option that provides the balance criteria with the greatest variety in your configuration. For example, if the traffic on a port channel is going only to a single MAC address and you use the destination MAC address as the basis of port-channel load balancing, the port channel always chooses the same link in that port channel; using source addresses or IP addresses might result in better load balancing.

Regardless of the load-balancing algorithm configured, multicast traffic uses the following methods for load balancing with port channels:

- Multicast traffic with Layer 4 information - Source IP address, source port, destination IP address, destination port
- Multicast traffic without Layer 4 information - Source IP address, destination IP address
- Non-IP multicast traffic - Source MAC address, destination MAC address



**Note** The hardware multicast hw-hash command is not supported on Cisco Nexus 3000 Series switches. It is recommended not to configure this command on these switches. By default, Cisco Nexus 3000 Series switches hash multicast traffic.

## Symmetric Hashing

To be able to effectively monitor traffic on a port channel, it is essential that each interface connected to a port channel receives both forward and reverse traffic flows. Normally, there is no guarantee that the forward and reverse traffic flows will use the same physical interface. However, when you enable symmetric hashing

on the port channel, bidirectional traffic is forced to use the same physical interface and each physical interface in the port channel is effectively mapped to a set of flows.

When symmetric hashing is enabled, the parameters used for hashing, such as the source and destination IP address, are normalized before they are entered into the hashing algorithm. This process ensures that when the parameters are reversed (the source on the forward traffic becomes the destination on the reverse traffic), the hash output is the same. Therefore, the same interface is chosen.

Symmetric hashing is supported only on Cisco Nexus 3600 Series switches.

Only the following load-balancing algorithms support symmetric hashing:

- source-dest-ip-only
- source-dest-port-only
- source-dest-ip
- source-dest-port
- source-dest-ip-gre

## Understanding LACP

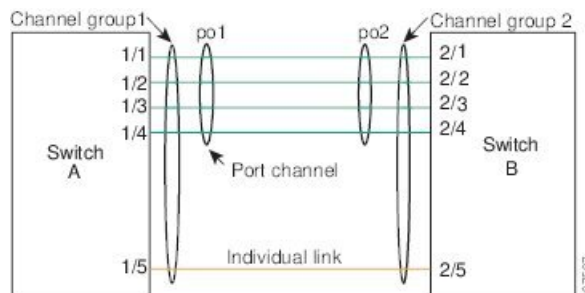
### LACP Overview



**Note** You must enable the LACP feature before you can configure and use LACP functions.

The following figure shows how individual links can be combined into LACP port channels and channel groups as well as function as individual links.

**Figure 5: Individual Links Combined into a Port Channel**



With LACP, just like with static port channels, you can bundle up to 32 interfaces in a channel group.



**Note** When you delete the port channel, Cisco NX-OS automatically deletes the associated channel group. All member interfaces revert to their previous configuration.

You cannot disable LACP while any LACP configurations are present. The configuration could have an LACP configuration, like LACP min-links on a port channel, but with no members. In that case, you can disable LACP.

## LACP ID Parameters

LACP uses the following parameters:

- LACP system priority—Each system that runs LACP has an LACP system priority value. You can accept the default value of 32768 for this parameter, or you can configure a value between 1 and 65535. LACP uses the system priority with the MAC address to form the system ID and also uses the system priority during negotiation with other devices. A higher system priority value means a lower priority.



---

**Note** The LACP system ID is the combination of the LACP system priority value and the MAC address.

---

- LACP port priority—Each port configured to use LACP has an LACP port priority. You can accept the default value of 32768 for the LACP port priority, or you can configure a value between 1 and 65535. LACP uses the port priority with the port number to form the port identifier. LACP uses the port priority to decide which ports should be put in standby mode when there is a limitation that prevents all compatible ports from aggregating and which ports should be put into active mode. A higher port priority value means a lower priority for LACP. You can configure the port priority so that specified ports have a lower priority for LACP and are most likely to be chosen as active links, rather than hot-standby links.
- LACP administrative key—LACP automatically configures an administrative key value equal to the channel-group number on each port configured to use LACP. The administrative key defines the ability of a port to aggregate with other ports. A port's ability to aggregate with other ports is determined by these factors:
  - Port physical characteristics, such as the data rate, the duplex capability, and the point-to-point or shared medium state
  - Configuration restrictions that you establish

## Channel Modes

Individual interfaces in port channels are configured with channel modes. When you run static port channels, with no protocol, the channel mode is always set to on. After you enable LACP globally on the device, you enable LACP for each channel by setting the channel mode for each interface to active or passive. You can configure either channel mode for individual links in the LACP channel group.



---

**Note** You must enable LACP globally before you can configure an interface in either the active or passive channel mode.

---

The following table describes the channel modes.

Table 9: Channel Modes for Individual Links in a Port Channel

Channel Mode	Description
passive	LACP mode that places a port into a passive negotiating state, in which the port responds to LACP packets that it receives but does not initiate LACP negotiation.
active	LACP mode that places a port into an active negotiating state, in which the port initiates negotiations with other ports by sending LACP packets.
on	<p>All static port channels, that is, that are not running LACP, remain in this mode. If you attempt to change the channel mode to active or passive before enabling LACP, the device returns an error message.</p> <p>You enable LACP on each channel by configuring the interface in that channel for the channel mode as either active or passive. When an LACP attempts to negotiate with an interface in the on state, it does not receive any LACP packets and becomes an individual link with that interface; it does not join the LACP channel group.</p> <p>The <b>no lacp suspend-individual</b> configuration is supported by default on Cisco Nexus 3600 switches.</p>

Both the passive and active modes allow LACP to negotiate between ports to determine if they can form a port channel, based on criteria such as the port speed and the trunking state. The passive mode is useful when you do not know whether the remote system, or partner, supports LACP.

Ports can form an LACP port channel when they are in different LACP modes as long as the modes are compatible as in the following examples:

- A port in active mode can form a port channel successfully with another port that is in active mode.
- A port in active mode can form a port channel with another port in passive mode.
- A port in passive mode cannot form a port channel with another port that is also in passive mode because neither port will initiate negotiation.
- A port in on mode is not running LACP.

## LACP Marker Responders

Using port channels, data traffic may be dynamically redistributed due to either a link failure or load balancing. LACP uses the Marker Protocol to ensure that frames are not duplicated or reordered because of this redistribution. Cisco NX-OS supports only Marker Responders.

## LACP-Enabled and Static Port Channel Differences

The following table provides a brief summary of major differences between port channels with LACP enabled and static port channels. For information about the maximum configuration limits, see the *Verified Scalability* document for your device.

Table 10: Port Channels with LACP Enabled and Static Port Channels

Configurations	Port Channels with LACP Enabled	Static Port Channels
Protocol applied	Enable globally.	Not applicable.
Channel mode of links	Can be either: <ul style="list-style-type: none"> <li>• Active</li> <li>• Passive</li> </ul>	Can only be On.

## LACP Port Channel Minimum Links and MaxBundle

A port channel aggregates similar ports to provide increased bandwidth in a single manageable interface. The introduction of the minimum links and MaxBundle feature further refines LACP port-channel operation and provides increased bandwidth in one manageable interface.

The LACP port channel MinLinks feature does the following:

- Configures the minimum number of port channel interfaces that must be linked and bundled in the LACP port channel.
- Prevents a low-bandwidth LACP port channel from becoming active.
- Causes the LACP port channel to become inactive if only a few active members ports supply the required minimum bandwidth.

The LACP MaxBundle defines the maximum number of bundled ports allowed in a LACP port channel. The LACP MaxBundle feature does the following:

- Defines an upper limit on the number of bundled ports in an LACP port channel.
- Allows hot-standby ports with fewer bundled ports. (For example, in an LACP port channel with five ports, you can designate two of those ports as hot-standby ports.)




---

**Note** The minimum links and maxbundle feature works only with LACP port channels. However, the device allows you to configure this feature in non-LACP port channels, but the feature is not operational.

---

## Guidelines and Limitations

Port channeling has the following configuration guidelines and limitations:

- On a Cisco Nexus 36180YC switch, the first 24 ports are part of the same quadrant. Ports in the same quadrant must have same speed (1/10G or 25G) on all ports. Having different speed on ports in a quadrant is not supported. If you set different speed in any of the ports in a quadrant, ports go into error disable state. Interfaces in same quadrant are:
  - 1–4
  - 5–8

- 9–12
- 13–16
- 17–20
- 21–24
- 25–28
- 29–32
- 33–36
- 37–40
- 41–44
- 45–48

# Configuring Port Channels

## Creating a Port Channel

You can create a port channel before creating a channel group. Cisco NX-OS automatically creates the associated channel group.



**Note** If you want LACP-based port channels, you need to enable LACP.



**Note** Channel member ports cannot be a source or destination SPAN port.

### SUMMARY STEPS

1. switch# **configure terminal**
2. switch(config)# **interface port-channel** *channel-number*
3. switch(config)# **no interface port-channel** *channel-number*

### DETAILED STEPS

#### Procedure

	Command or Action	Purpose
<b>Step 1</b>	switch# <b>configure terminal</b>	Enters global configuration mode.

	Command or Action	Purpose
Step 2	switch(config)# <b>interface port-channel</b> <i>channel-number</i>	Specifies the port-channel interface to configure, and enters the interface configuration mode. The range is from 1 to 4096. Cisco NX-OS automatically creates the channel group if it does not already exist.
Step 3	switch(config)# <b>no interface port-channel</b> <i>channel-number</i>	Removes the port channel and deletes the associated channel group.

### Example

This example shows how to create a port channel:

```
switch# configure terminal
switch (config)# interface port-channel 1
```

## Adding a Port to a Port Channel

You can add a port to a new channel group or to a channel group that already contains ports. Cisco NX-OS creates the port channel associated with this channel group if the port channel does not already exist.



**Note** If you want LACP-based port channels, you need to enable LACP.

### SUMMARY STEPS

1. switch# **configure terminal**
2. switch(config)# **interface** *type slot/port*
3. (Optional) switch(config-if)# **switchport mode trunk**
4. (Optional) switch(config-if)# **switchport trunk** {**allowed vlan** *vlan-id* | **native vlan** *vlan-id*}
5. switch(config-if)# **channel-group** *channel-number*
6. (Optional) switch(config-if)# **no channel-group**

### DETAILED STEPS

#### Procedure

	Command or Action	Purpose
Step 1	switch# <b>configure terminal</b>	Enters global configuration mode.
Step 2	switch(config)# <b>interface</b> <i>type slot/port</i>	Specifies the interface that you want to add to a channel group and enters the interface configuration mode.
Step 3	(Optional) switch(config-if)# <b>switchport mode trunk</b>	Configures the interface as a trunk port.

	Command or Action	Purpose
<b>Step 4</b>	(Optional) switch(config-if)# <b>switchport trunk {allowed vlan <i>vlan-id</i>   native vlan <i>vlan-id</i>}</b>	Configures necessary parameters for a trunk port.
<b>Step 5</b>	switch(config-if)# <b>channel-group <i>channel-number</i></b>	Configures the port in a channel group and sets the mode. The channel-number range is from 1 to 4096. Cisco NX-OS creates the port channel associated with this channel group if the port channel does not already exist. This is called implicit port channel creation.
<b>Step 6</b>	(Optional) switch(config-if)# <b>no channel-group</b>	Removes the port from the channel group. The port reverts to its original configuration.

### Example

This example shows how to add an Ethernet interface 1/4 to channel group 1:

```
switch# configure terminal
switch (config)# interface ethernet 1/4
switch(config-if)# switchport mode trunk
switch(config-if)# channel-group 1
```

## Configuring Load Balancing Using Port Channels

You can configure the load-balancing algorithm for port channels that applies to the entire device.



**Note** If you want LACP-based port channels, you need to enable LACP.

### SUMMARY STEPS

1. switch# **configure terminal**
2. switch(config)# **port-channel load-balance ethernet {[destination-ip | destination-ip-gre | destination-mac | destination-port | source-dest-ip | source-dest-ip-gre | source-dest-mac | source-dest-port | source-ip | source-ip-gre | source-mac | source-port] symmetric | crc-poly}**
3. (Optional) switch(config)# **no port-channel load-balance ethernet**
4. (Optional) switch# **show port-channel load-balance**

### DETAILED STEPS

#### Procedure

	Command or Action	Purpose
<b>Step 1</b>	switch# <b>configure terminal</b>	Enters global configuration mode.

	Command or Action	Purpose
Step 2	switch(config)# <b>port-channel load-balance ethernet</b> {[ <b>destination-ip</b>   <b>destination-ip-gre</b>   <b>destination-mac</b>   <b>destination-port</b>   <b>source-dest-ip</b>   <b>source-dest-ip-gre</b>   <b>source-dest-mac</b>   <b>source-dest-port</b>   <b>source-ip</b>   <b>source-ip-gre</b>   <b>source-mac</b>   <b>source-port</b> ] <b>symmetric</b>   <b>crc-poly</b> }	Specifies the load-balancing algorithm and hash for the device. The range depends on the device. The default is <b>source-dest-mac</b> .  <b>Note</b> The optional <b>destination-ip-gre</b> , <b>source-dest-ip-gre</b> and <b>source-ip-gre</b> keywords are used to include the NVGRE key in the hash computation. Inclusion of the NVGRE key is not enabled by default in the case of port channels. You must configure it explicitly by using these optional keywords.  The optional <b>symmetric</b> keyword is used to enable or disable symmetric hashing. Symmetric hashing forces bi-directional traffic to use the same physical interface. Only the following load-balancing algorithms support symmetric hashing:  <ul style="list-style-type: none"> <li>• source-dest-ip-only</li> <li>• source-dest-port-only</li> <li>• source-dest-ip</li> <li>• source-dest-port</li> <li>• source-dest-ip-gre</li> </ul>
Step 3	(Optional) switch(config)# <b>no port-channel load-balance ethernet</b>	Restores the default load-balancing algorithm of source-dest-mac.
Step 4	(Optional) switch# <b>show port-channel load-balance</b>	Displays the port-channel load-balancing algorithm.

### Example

This example shows how to configure source IP load balancing for port channels:

```
switch# configure terminal
switch (config)# port-channel load-balance ethernet source-ip
```

This example shows how to configure symmetric hashing for port channels:

```
switch# configure terminal
switch (config)# port-channel load-balance ethernet source-dest-ip-only symmetric
```

## Enabling LACP

LACP is disabled by default; you must enable LACP before you begin LACP configuration. If you have any LACP port channels configured, LACP cannot be disabled.

LACP learns the capabilities of LAN port groups dynamically and informs the other LAN ports. Once LACP identifies correctly matched Ethernet links, it facilitates grouping the links into an port channel. The port channel is then added to the spanning tree as a single bridge port.

## SUMMARY STEPS

1. switch# **configure terminal**
2. switch(config)# **feature lacp**
3. (Optional) switch(config)# **show feature**

## DETAILED STEPS

### Procedure

	Command or Action	Purpose
<b>Step 1</b>	switch# <b>configure terminal</b>	Enters global configuration mode.
<b>Step 2</b>	switch(config)# <b>feature lacp</b>	Enables LACP on the switch.
<b>Step 3</b>	(Optional) switch(config)# <b>show feature</b>	Displays enabled features.

### Example

This example shows how to enable LACP:

```
switch# configure terminal
switch(config)# feature lacp
```

## Configuring the Channel Mode for a Port

You can configure the channel mode for each individual link in the LACP port channel as active or passive. This channel configuration mode allows the link to operate with LACP.

When you configure port channels with no associated protocol, all interfaces on both sides of the link remain in the on channel mode.

### Before you begin

Ensure that you have enabled the LACP feature.

## SUMMARY STEPS

1. switch# **configure terminal**
2. switch(config)# **interface** *type slot/port*
3. switch(config-if)# **channel-group** *channel-number* [**force**] [**mode** {**on** | **active** | **passive**}]
4. switch(config-if)# **no channel-group** *number mode*

## DETAILED STEPS

## Procedure

	Command or Action	Purpose
<b>Step 1</b>	switch# <b>configure terminal</b>	Enters global configuration mode.
<b>Step 2</b>	switch(config)# <b>interface</b> <i>type slot/port</i>	Specifies the interface to configure, and enters the interface configuration mode.
<b>Step 3</b>	switch(config-if)# <b>channel-group</b> <i>channel-number</i> [ <b>force</b> ] [ <b>mode</b> { <b>on</b>   <b>active</b>   <b>passive</b> }]	<p>Specifies the port mode for the link in a port channel. After LACP is enabled, you configure each link or the entire channel as active or passive.</p> <p><b>force</b>—Specifies that the LAN port be forcefully added to the channel group.</p> <p><b>mode</b>—Specifies the port channel mode of the interface.</p> <p><b>active</b>—Specifies that when you enable LACP, this command enables LACP on the specified interface. The interface is in an active negotiating state in which the port initiates negotiations with other ports by sending LACP packets.</p> <p><b>on</b>—(Default mode) Specifies that all port channels that are not running LACP remain in this mode.</p> <p><b>passive</b>—Enables LACP only if an LACP device is detected. The interface is in a passive negotiation state in which the port responds to LACP packets that it receives but does not initiate LACP negotiation.</p> <p>When you run port channels with no associated protocol, the channel mode is always on.</p>
<b>Step 4</b>	switch(config-if)# <b>no channel-group</b> <i>number mode</i>	Returns the port mode to on for the specified interface.

**Example**

This example shows how to set the LACP-enabled interface to active port-channel mode for Ethernet interface 1/4 in channel group 5:

```
switch# configure terminal
switch (config)# interface ethernet 1/4
switch(config-if)# channel-group 5 mode active
```

**Configuring LACP Port Channel MinLinks**

The MinLink feature works only with LACP port channels. The device allows you to configure this feature in non-LACP port channels, but the feature is not operational.



**Important** We recommend that you configure the LACP MinLink feature on both ends of your LACP port channel, that is, on both the switches. Configuring the **lACP min-links** command on only one end of the port channel might result in link flapping.

## SUMMARY STEPS

1. switch# **configure terminal**
2. switch(config)# **interface port-channel** *number*
3. switch(config-if)# [**no**] **lACP min-links** *number*
4. (Optional) switch(config)# **show running-config interface port-channel** *number*

## DETAILED STEPS

### Procedure

	Command or Action	Purpose
<b>Step 1</b>	switch# <b>configure terminal</b>	Enters global configuration mode.
<b>Step 2</b>	switch(config)# <b>interface port-channel</b> <i>number</i>	Specifies the interface to configure.
<b>Step 3</b>	switch(config-if)# [ <b>no</b> ] <b>lACP min-links</b> <i>number</i>	Configures the number of minimum links.  The default value for <i>number</i> is 1. The range is from 1 to 32.  Use the <b>no</b> form of this command to disable this feature.
<b>Step 4</b>	(Optional) switch(config)# <b>show running-config interface port-channel</b> <i>number</i>	Displays the port channel configuration of the interface.

### Example

This example shows how to configure the minimum number of links that must be up for the bundle as a whole to be labeled *up*:

```
switch#configure terminal
switch(config)#interface port-channel 3
switch(config-if)#lACP min-links 3
switch(config)#show running-config interface port-channel 3
```

## Configuring the LACP Port-Channel MaxBundle

You can configure the LACP maxbundle feature. Although minimum links and maxbundles work only in LACP, you can enter the CLI commands for these features for non-LACP port channels, but these commands are nonoperational.



**Note** Use the **no lacp max-bundle** command to restore the default port-channel max-bundle configuration.

Command	Purpose
<b>no lacp max-bundle</b> <b>Example:</b> switch(config)# <b>no lacp max-bundle</b>	Restores the default port-channel max-bundle configuration.

**Before you begin**

Ensure that you are in the correct port-channel interface.

**SUMMARY STEPS**

1. **configure terminal**
2. **interface port-channel** *number*
3. **lacp max-bundle** *number*
4. **show running-config interface port-channel** *<number>*

**DETAILED STEPS**

**Procedure**

	Command or Action	Purpose
<b>Step 1</b>	<b>configure terminal</b> <b>Example:</b> switch# <b>configure terminal</b> switch(config)#	Enters global configuration mode.
<b>Step 2</b>	<b>interface port-channel</b> <i>number</i> <b>Example:</b> switch(config)# <b>interface port-channel</b> 3 switch(config-if)#	Specifies an interface to configure.
<b>Step 3</b>	<b>lacp max-bundle</b> <i>number</i> <b>Example:</b> switch(config-if)# <b>lacp max-bundle</b> <i>&lt;number&gt;</i>	Configures the maximum number of active bundled LACP ports that are allowed in a port channel.  The default value for the port-channel max-bundle is 32. The allowed range is from 1 to 32.  <b>Note</b> Even if the default value is 16, the number of active members in a port channel is the minimum of the <i>pc_max_links_config</i> and <i>pc_max_active_members</i> that is allowed in the port channel.

	Command or Action	Purpose
<b>Step 4</b>	<b>show running-config interface port-channel &lt;number&gt;</b>  <b>Example:</b> <pre>switch(config-if)# show running-config interface port-channel 3</pre>	(Optional) Displays the port-channel configuration for the interface.

### Example

This example shows how to configure the maximum number of active bundled LACP ports:

```
switch# configure terminal
switch# interface port-channel 3
switch (config-if)# lacp max-bundle 3
switch (config-if)# show running-config interface port-channel 3
```

## Configuring the LACP Fast Timer Rate

You can change the LACP timer rate to modify the duration of the LACP timeout. Use the **lacp rate** command to set the rate at which LACP control packets are sent to an LACP-supported interface. You can change the timeout rate from the default rate (30 seconds) to the fast rate (1 second). This command is supported only on LACP-enabled interfaces.

### Before you begin

Ensure that you have enabled the LACP feature.

### SUMMARY STEPS

1. switch# **configure terminal**
2. switch(config)# **interface type slot/port**
3. switch(config-if)# **lacp rate fast**

### DETAILED STEPS

#### Procedure

	Command or Action	Purpose
<b>Step 1</b>	switch# <b>configure terminal</b>	Enters global configuration mode.
<b>Step 2</b>	switch(config)# <b>interface type slot/port</b>	Specifies the interface to configure and enters the interface configuration mode.
<b>Step 3</b>	switch(config-if)# <b>lacp rate fast</b>	Configures the fast rate (one second) at which LACP control packets are sent to an LACP-supported interface.

**Example**

This example shows how to configure the LACP fast rate on Ethernet interface 1/4:

```
switch# configure terminal
switch(config)# interface ethernet 1/4
switch(config-if)# lacp rate fast
```

This example shows how to restore the LACP default rate (30 seconds) on Ethernet interface 1/4.

```
switch# configure terminal
switch(config)# interface ethernet 1/4
switch(config-if)# no lacp rate fast
```

## Configuring the LACP System Priority and System ID

The LACP system ID is the combination of the LACP system priority value and the MAC address.

**Before you begin**

Ensure that you have enabled the LACP feature.

**SUMMARY STEPS**

1. switch# **configure terminal**
2. switch(config)# **lacp system-priority** *priority*
3. (Optional) switch# **show lacp system-identifier**

**DETAILED STEPS****Procedure**

	<b>Command or Action</b>	<b>Purpose</b>
<b>Step 1</b>	switch# <b>configure terminal</b>	Enters global configuration mode.
<b>Step 2</b>	switch(config)# <b>lacp system-priority</b> <i>priority</i>	Configures the system priority for use with LACP. Valid values are 1 through 65535, and higher numbers have lower priority. The default value is 32768.
<b>Step 3</b>	(Optional) switch# <b>show lacp system-identifier</b>	Displays the LACP system identifier.

**Example**

This example shows how to set the LACP system priority to 2500:

```
switch# configure terminal
switch(config)# lacp system-priority 2500
```

## Configuring the LACP Port Priority

You can configure each link in the LACP port channel for the port priority.

### Before you begin

Ensure that you have enabled the LACP feature.

### SUMMARY STEPS

1. switch# **configure terminal**
2. switch(config)# **interface** *type slot/port*
3. switch(config-if)# **lACP port-priority** *priority*

### DETAILED STEPS

#### Procedure

	Command or Action	Purpose
<b>Step 1</b>	switch# <b>configure terminal</b>	Enters global configuration mode.
<b>Step 2</b>	switch(config)# <b>interface</b> <i>type slot/port</i>	Specifies the interface to configure, and enters the interface configuration mode.
<b>Step 3</b>	switch(config-if)# <b>lACP port-priority</b> <i>priority</i>	Configures the port priority for use with LACP. Valid values are 1 through 65535, and higher numbers have lower priority. The default value is 32768.

### Example

This example shows how to set the LACP port priority for Ethernet interface 1/4 to 40000:

```
switch# configure terminal
switch (config)# interface ethernet 1/4
switch(config-if)# lACP port priority 40000
```

## Disabling LACP Graceful Convergence

By default, LACP graceful convergence is enabled. In situations where you need to support LACP interoperability with devices where the graceful failover defaults may delay the time taken for a disabled port to be brought down or cause traffic from the peer to be lost, you can disable convergence. If the downstream access switch is not a Cisco Nexus device, disable the LACP graceful convergence option.



**Note** The port channel has to be in the administratively down state before the command can be run.

**Before you begin**

Enable LACP.

**SUMMARY STEPS**

1. **configure terminal**
2. **interface port-channel** *number*
3. **shutdown**
4. **no lacp graceful-convergence**
5. **no shutdown**
6. **copy running-config startup-config**

**DETAILED STEPS****Procedure**

	<b>Command or Action</b>	<b>Purpose</b>
<b>Step 1</b>	<b>configure terminal</b> <b>Example:</b> switch# <b>configure terminal</b> switch(config)#	Enters global configuration mode.
<b>Step 2</b>	<b>interface port-channel</b> <i>number</i> <b>Example:</b> switch(config)# <b>interface port-channel 1</b> switch(config-if)#	Specifies the port channel interface to configure and enters the interface configuration mode.
<b>Step 3</b>	<b>shutdown</b> <b>Example:</b> switch(config-if) <b>shutdown</b>	Administratively shuts down the port channel.
<b>Step 4</b>	<b>no lacp graceful-convergence</b> <b>Example:</b> switch(config-if) # <b>no lacp graceful-convergence</b>	Disables LACP graceful convergence on the port channel.
<b>Step 5</b>	<b>no shutdown</b> <b>Example:</b> switch(config-if) <b>no shutdown</b>	Brings up the port channel administratively.
<b>Step 6</b>	<b>copy running-config startup-config</b> <b>Example:</b> switch(config) # <b>copy running-config startup-config</b>	(Optional) Copies the running configuration to the startup configuration.

**Example**

This example shows how to disable LACP graceful convergence on a port channel:

```
switch# configure terminal
switch (config)# interface port-channel 1
switch(config-if)# shutdown
switch(config-if)# no lacp graceful-convergence
switch(config-if)# no shutdown
```

**Reenabling LACP Graceful Convergence**

If the default LACP graceful convergence is once again required, you can reenable convergence.

**SUMMARY STEPS**

1. **configure terminal**
2. **interface port-channel** *number*
3. **shutdown**
4. **lacp graceful-convergence**
5. **no shutdown**
6. **copy running-config startup-config**

**DETAILED STEPS****Procedure**

	<b>Command or Action</b>	<b>Purpose</b>
<b>Step 1</b>	<b>configure terminal</b>  <b>Example:</b> switch# <b>configure terminal</b> switch(config)#	Enters global configuration mode.
<b>Step 2</b>	<b>interface port-channel</b> <i>number</i>  <b>Example:</b> switch(config)# <b>interface port-channel 1</b> switch(config-if)#	Specifies the port channel interface to configure and enters the interface configuration mode.
<b>Step 3</b>	<b>shutdown</b>  <b>Example:</b> switch(config-if) <b>shutdown</b>	Administratively shuts down the port channel.
<b>Step 4</b>	<b>lacp graceful-convergence</b>  <b>Example:</b> switch(config-if)# <b>lacp graceful-convergence</b>	Enables LACP graceful convergence on the port channel.

	Command or Action	Purpose
Step 5	<b>no shutdown</b> <b>Example:</b> <pre>switch(config-if) no shutdown</pre>	Brings the port channel administratively up.
Step 6	<b>copy running-config startup-config</b> <b>Example:</b> <pre>switch(config)# copy running-config startup-config</pre>	(Optional) Copies the running configuration to the startup configuration.

### Example

This example shows how to enable LACP graceful convergence on a port channel:

```
switch# configure terminal
switch (config)# interface port-channel 1
switch(config-if)# shutdown
switch(config-if)# lacp graceful-convergence
switch(config-if)# no shutdown
```

## Verifying Port Channel Configuration

Use the following command to verify the port channel configuration information:

Command	Purpose
<b>show interface port channel</b> <i>channel-number</i>	Displays the status of a port channel interface.
<b>show feature</b>	Displays enabled features.
<b>show resource</b>	Displays the number of resources currently available in the system.
<b>show lacp</b> {counters   interface <i>type slot/port</i>   neighbor   port-channel   system-identifier}	Displays LACP information.
<b>show port-channel compatibility-parameters</b>	Displays the parameters that must be the same among the member ports in order to join a port channel.
<b>show port-channel database</b> [interface <b>port-channel</b> <i>channel-number</i> ]	Displays the aggregation state for one or more port-channel interfaces.
<b>show port-channel summary</b>	Displays a summary for the port channel interfaces.
<b>show port-channel traffic</b>	Displays the traffic statistics for port channels.
<b>show port-channel usage</b>	Displays the range of used and unused channel numbers.
<b>show port-channel database</b>	Displays information on current running of the port channel feature.

Command	Purpose
<b>show port-channel load-balance</b>	Displays information about load-balancing using port channels.

## Triggering the Port Channel Membership Consistency Checker

You can manually trigger the port channel membership consistency checker to compare the hardware and software configuration of all ports in a port channel and display the results. To manually trigger the port channel membership consistency checker and display the results, use the following command in any mode:

### SUMMARY STEPS

1. switch# **show consistency-checker membership port-channels**

### DETAILED STEPS

#### Procedure

	Command or Action	Purpose
<b>Step 1</b>	switch# <b>show consistency-checker membership port-channels</b>	Starts a port channel membership consistency check on the member ports of a port channel and displays its results.

### Example

This example shows how to trigger a port channel membership consistency check and display its results:

```
switch# show consistency-checker membership port-channels
Checks: Trunk group and trunk membership table.
Consistency Check: PASSED
No Inconsistencies found for port-channel1111:
  Module:1, Unit:0
    ['Ethernet1/4', 'Ethernet1/5', 'Ethernet1/6']
No Inconsistencies found for port-channel2211:
  Module:1, Unit:0
    ['Ethernet1/7', 'Ethernet1/8', 'Ethernet1/9', 'Ethernet1/10']
No Inconsistencies found for port-channel3311:
  Module:1, Unit:0
    ['Ethernet1/11', 'Ethernet1/12', 'Ethernet1/13', 'Ethernet1/14']
No Inconsistencies found for port-channel4095:
  Module:1, Unit:0
    ['Ethernet1/33', 'Ethernet1/34', 'Ethernet1/35', 'Ethernet1/36', 'Ethernet1/37', 'Ethernet1/38', 'Ethernet1/39', 'Ethernet1/40', 'Ethernet1/41', 'Ethernet1/42', 'Ethernet1/43', 'Ethernet1/44', 'Ethernet1/45', 'Ethernet1/46', 'Ethernet1/47', 'Ethernet1/48', 'Ethernet1/29', 'Ethernet1/30', 'Ethernet1/31', 'Ethernet1/32']
```

# Verifying the Load-Balancing Outgoing Port ID

## Command Guidelines

The **show port-channel load-balance** command allows you to verify which ports a given frame is hashed to on a port channel. You need to specify the VLAN and the destination MAC in order to get accurate results.



**Note** Certain traffic flows are not subject to hashing such as when there is a single port in a port-channel.

The **show port-channel load-balance** command supports only unicast traffic hashing. Multicast traffic hashing is not supported.

To display the load-balancing outgoing port ID, perform one of the tasks:

Command	Purpose
switch# <b>show port-channel load-balance forwarding-path interface port-channel</b> <i>port-channel-id</i> <b>vlan</b> <i>vlan-id</i> <b>dst-ip src-ip dst-mac src-mac l4-src-port</b> <i>port-id</i> <b>l4-dst-port</b> <i>port-id</i> <b>ether-type</b> <i>ether-type</i> <b>ip-proto</b> <i>ip-proto</i>	Displays the outgoing port ID.

## Example

This example shows how to display the load balancing outgoing port ID:

```
switch# show port-channel load-balance forwarding-path interface port-channel 10 vlan 1
dst-ip 1.225.225.225 src-ip 1.1.10.10 src-mac aa:bb:cc:dd:ee:ff
l4-src-port 0 l4-dst-port 1
Missing params will be substituted by 0's. Load-balance Algorithm on switch: source-dest-port
crc8_hash:204 Outgoing port id: Ethernet 1/1 Param(s) used to calculate load balance:
dst-port: 0
src-port: 0
dst-ip: 1.225.225.225
src-ip: 1.1.10.10
dst-mac: 0000.0000.0000
src-mac: aabb.ccdd.eeff
```

## Port Profiles

You can create a port profile that contains many interface commands and apply that port profile to a range of interfaces. Each port profile can be applied only to a specific type of interface; the choices are as follows:

- Ethernet
- VLAN network interface
- Port channel

When you choose Ethernet or port channel as the interface type, the port profile is in the default mode which is Layer 3. Enter the **switchport** command to change the port profile to Layer 2 mode.

You inherit the port profile when you attach the port profile to an interface or range of interfaces. When you attach, or inherit, a port profile to an interface or range of interfaces, the system applies all the commands in that port profile to the interfaces. Additionally, you can have one port profile inherit the settings from another port profile. Inheriting another port profile allows the initial port profile to assume all of the commands of the second, inherited, port profile that do not conflict with the initial port profile. Four levels of inheritance are supported. The same port profile can be inherited by any number of port profiles.

The system applies the commands inherited by the interface or range of interfaces according to the following guidelines:

- Commands that you enter under the interface mode take precedence over the port profile's commands if there is a conflict. However, the port profile retains that command in the port profile.
- The port profile's commands take precedence over the default commands on the interface, unless the port-profile command is explicitly overridden by the default command.
- When a range of interfaces inherits a second port profile, the commands of the initial port profile override the commands of the second port profile if there is a conflict.
- After you inherit a port profile onto an interface or range of interfaces, you can override individual configuration values by entering the new value at the interface configuration level. If you remove the individual configuration values at the interface configuration level, the interface uses the values in the port profile again.
- There are no default configurations associated with a port profile.

A subset of commands are available under the port-profile configuration mode, depending on which interface type you specify.

To apply the port-profile configurations to the interfaces, you must enable the specific port profile. You can configure and inherit a port profile onto a range of interfaces prior to enabling the port profile. You would then enable that port profile for the configurations to take effect on the specified interfaces.

If you inherit one or more port profiles onto an original port profile, only the last inherited port profile must be enabled; the system assumes that the underlying port profiles are enabled.

When you remove a port profile from a range of interfaces, the system undoes the configuration from the interfaces first and then removes the port-profile link itself. Also, when you remove a port profile, the system checks the interface configuration and either skips the port-profile commands that have been overridden by directly entered interface commands or returns the command to the default value.

If you want to delete a port profile that has been inherited by other port profiles, you must remove the inheritance before you can delete the port profile.

You can also choose a subset of interfaces from which to remove a port profile from among that group of interfaces that you originally applied the profile. For example, if you configured a port profile and configured ten interfaces to inherit that port profile, you can remove the port profile from just some of the specified ten interfaces. The port profile continues to operate on the remaining interfaces to which it is applied.

If you delete a specific configuration for a specified range of interfaces using the interface configuration mode, that configuration is also deleted from the port profile for that range of interfaces only. For example, if you have a channel group inside a port profile and you are in the interface configuration mode and you delete that port channel, the specified port channel is also deleted from the port profile as well.

Just as in the device, you can enter a configuration for an object in port profiles without that object being applied to interfaces yet. For example, you can configure a virtual routing and forward (VRF) instance without

it being applied to the system. If you then delete that VRF and related configurations from the port profile, the system is unaffected.

After you inherit a port profile on an interface or range of interfaces and you delete a specific configuration value, that port-profile configuration is not operative on the specified interfaces.

If you attempt to apply a port profile to the wrong type of interface, the system returns an error.

When you attempt to enable, inherit, or modify a port profile, the system creates a checkpoint. If the port-profile configuration fails, the system rolls back to the prior configuration and returns an error. A port profile is never only partially applied.

## Configuring Port Profiles

You can apply several configuration parameters to a range of interfaces simultaneously. All the interfaces in the range must be the same type. You can also inherit the configurations from one port profile into another port profile. The system supports four levels of inheritance.

## Creating a Port Profile

You can create a port profile on the device. Each port profile must have a unique name across types and the network.



---

**Note** Port profile names can include only the following characters:

- a-z
- A-Z
- 0-9
- No special characters are allowed, except for the following:
  - .
  - -
  - \_

---

### SUMMARY STEPS

1. **configure terminal**
2. **port-profile** [**type** {**ethernet** | **interface-vlan** | **port-channel**}] *name*
3. **exit**
4. (Optional) **show port-profile**
5. (Optional) **copy running-config startup-config**

## DETAILED STEPS

## Procedure

	Command or Action	Purpose
<b>Step 1</b>	<code>configure terminal</code>	Enters the global configuration mode.
<b>Step 2</b>	<code>port-profile [type {ethernet   interface-vlan   port-channel}] name</code>	Creates and names a port profile for the specified type of interface and enters the port-profile configuration mode.
<b>Step 3</b>	<code>exit</code>	Exits the port-profile configuration mode.
<b>Step 4</b>	(Optional) <code>show port-profile</code>	Displays the port-profile configuration.
<b>Step 5</b>	(Optional) <code>copy running-config startup-config</code>	Copies the running configuration to the startup configuration.

## Example

This example shows how to create a port profile named test for ethernet interfaces:

```
switch# configure terminal
switch(config)# port-profile type ethernet test
switch(config-ppm)#
```

## Entering Port-Profile Configuration Mode and Modifying a Port Profile

You can enter the port-profile configuration mode and modify a port profile. To modify the port profile, you must be in the port-profile configuration mode.

## SUMMARY STEPS

1. `configure terminal`
2. `port-profile [type {ethernet | interface-vlan | port-channel}] name`
3. `exit`
4. (Optional) `show port-profile`
5. (Optional) `copy running-config startup-config`

## DETAILED STEPS

## Procedure

	Command or Action	Purpose
<b>Step 1</b>	<code>configure terminal</code>	Enters the global configuration mode.

	Command or Action	Purpose
Step 2	<b>port-profile</b> [type { <b>ethernet</b>   <b>interface-vlan</b>   <b>port-channel</b> }] <i>name</i>	Enters the port-profile configuration mode for the specified port profile and allows you to add or remove configurations to the profile.
Step 3	<b>exit</b>	Exits the port-profile configuration mode.
Step 4	(Optional) <b>show port-profile</b>	Displays the port-profile configuration.
Step 5	(Optional) <b>copy running-config startup-config</b>	Copies the running configuration to the startup configuration.

### Example

This example shows how to enter the port-profile configuration mode for the specified port profile and bring all the interfaces administratively up:

```
switch# configure terminal
switch(config)# port-profile type ethernet test
switch(config-ppm)# no shutdown
switch(config-ppm)#
```

## Assigning a Port Profile to a Range of Interfaces

You can assign a port profile to an interface or to a range of interfaces. All the interfaces must be the same type.

### SUMMARY STEPS

1. **configure terminal**
2. **interface** [**ethernet** *slot/port* | **interface-vlan** *vlan-id* | **port-channel** *number*]
3. **inherit port-profile** *name*
4. **exit**
5. (Optional) **show port-profile**
6. (Optional) **copy running-config startup-config**

### DETAILED STEPS

#### Procedure

	Command or Action	Purpose
Step 1	<b>configure terminal</b>	Enters the global configuration mode.
Step 2	<b>interface</b> [ <b>ethernet</b> <i>slot/port</i>   <b>interface-vlan</b> <i>vlan-id</i>   <b>port-channel</b> <i>number</i> ]	Selects the range of interfaces.
Step 3	<b>inherit port-profile</b> <i>name</i>	Assigns the specified port profile to the selected interfaces.

	Command or Action	Purpose
Step 4	<b>exit</b>	Exits the port-profile configuration mode.
Step 5	(Optional) <b>show port-profile</b>	Displays the port-profile configuration.
Step 6	(Optional) <b>copy running-config startup-config</b>	Copies the running configuration to the startup configuration.

### Example

This example shows how to assign the port profile named adam to Ethernet interfaces 7/3 to 7/5, 10/2, and 11/20 to 11/25:

```
switch# configure terminal
switch(config)# interface ethernet7/3-5, ethernet10/2, ethernet11/20-25
switch(config-if)# inherit port-profile adam
switch(config-if)#
```

## Enabling a Specific Port Profile

To apply the port-profile configurations to the interfaces, you must enable the specific port profile. You can configure and inherit a port profile onto a range of interfaces before you enable that port profile. You would then enable that port profile for the configurations to take effect on the specified interfaces.

If you inherit one or more port profiles onto an original port profile, only the last inherited port profile must be enabled; the system assumes that the underlying port profiles are enabled.

You must be in the port-profile configuration mode to enable or disable port profiles.

### SUMMARY STEPS

1. **configure terminal**
2. **port-profile [type {ethernet | interface-vlan | port-channel}] name**
3. **state enabled**
4. **exit**
5. (Optional) **show port-profile**
6. (Optional) **copy running-config startup-config**

### DETAILED STEPS

#### Procedure

	Command or Action	Purpose
Step 1	<b>configure terminal</b>	Enters the global configuration mode.
Step 2	<b>port-profile [type {ethernet   interface-vlan   port-channel}] name</b>	Creates and names a port profile for the specified type of interface and enters the port-profile configuration mode.

	Command or Action	Purpose
Step 3	<code>state enabled</code>	Enables that port profile.
Step 4	<code>exit</code>	Exits the port-profile configuration mode.
Step 5	(Optional) <code>show port-profile</code>	Displays the port-profile configuration.
Step 6	(Optional) <code>copy running-config startup-config</code>	Copies the running configuration to the startup configuration.

### Example

This example shows how to enter the port-profile configuration mode and enable the port profile:

```
switch# configure terminal
switch(config)# port-profile type ethernet test
switch(config-ppm)# state enabled
switch(config-ppm)#
```

## Inheriting a Port Profile

You can inherit a port profile onto an existing port profile. The system supports four levels of inheritance.

### SUMMARY STEPS

1. `configure terminal`
2. `port-profile name`
3. `inherit port-profile name`
4. `exit`
5. (Optional) `show port-profile`
6. (Optional) `copy running-config startup-config`

### DETAILED STEPS

#### Procedure

	Command or Action	Purpose
Step 1	<code>configure terminal</code>	Enters the global configuration mode.
Step 2	<code>port-profile name</code>	Enters the port-profile configuration mode for the specified port profile.
Step 3	<code>inherit port-profile name</code>	Inherits another port profile onto the existing one. The original port profile assumes all the configurations of the inherited port profile.
Step 4	<code>exit</code>	Exits the port-profile configuration mode.

	Command or Action	Purpose
<b>Step 5</b>	(Optional) <b>show port-profile</b>	Displays the port-profile configuration.
<b>Step 6</b>	(Optional) <b>copy running-config startup-config</b>	Copies the running configuration to the startup configuration.

### Example

This example shows how to inherit the port profile named adam onto the port profile named test:

```
switch# configure terminal
switch(config)# port-profile test
switch(config-ppm)# inherit port-profile adam
switch(config-ppm)#
```

## Removing a Port Profile from a Range of Interfaces

You can remove a port profile from some or all of the interfaces to which you have applied the profile. You do this configuration in the interfaces configuration mode.

### SUMMARY STEPS

1. **configure terminal**
2. **interface** [**ethernet** *slot/port* | **interface-vlan** *vlan-id* | **port-channel** *number*]
3. **no inherit port-profile** *name*
4. **exit**
5. (Optional) **show port-profile**
6. (Optional) **copy running-config startup-config**

### DETAILED STEPS

#### Procedure

	Command or Action	Purpose
<b>Step 1</b>	<b>configure terminal</b>	Enters the global configuration mode.
<b>Step 2</b>	<b>interface</b> [ <b>ethernet</b> <i>slot/port</i>   <b>interface-vlan</b> <i>vlan-id</i>   <b>port-channel</b> <i>number</i> ]	Selects the range of interfaces.
<b>Step 3</b>	<b>no inherit port-profile</b> <i>name</i>	Un-assigns the specified port profile to the selected interfaces.
<b>Step 4</b>	<b>exit</b>	Exits the port-profile configuration mode.
<b>Step 5</b>	(Optional) <b>show port-profile</b>	Displays the port-profile configuration.

	Command or Action	Purpose
Step 6	(Optional) <b>copy running-config startup-config</b>	Copies the running configuration to the startup configuration.

### Example

This example shows how to unassign the port profile named adam to Ethernet interfaces 7/3 to 7/5, 10/2, and 11/20 to 11/25:

```
switch# configure terminal
switch(config)# interface ethernet 7/3-5, 10/2, 11/20-25
switch(config-if)# no inherit port-profile adam
switch(config-if)#
```

## Removing an Inherited Port Profile

You can remove an inherited port profile. You do this configuration in the port-profile mode.

### SUMMARY STEPS

1. **configure terminal**
2. **port-profile** *name*
3. **no inherit port-profile** *name*
4. **exit**
5. (Optional) **show port-profile**
6. (Optional) **copy running-config startup-config**

### DETAILED STEPS

#### Procedure

	Command or Action	Purpose
Step 1	<b>configure terminal</b>	Enters the global configuration mode.
Step 2	<b>port-profile</b> <i>name</i>	Enters the port-profile configuration mode for the specified port profile.
Step 3	<b>no inherit port-profile</b> <i>name</i>	Removes an inherited port profile from this port profile.
Step 4	<b>exit</b>	Exits the port-profile configuration mode.
Step 5	(Optional) <b>show port-profile</b>	Displays the port-profile configuration.
Step 6	(Optional) <b>copy running-config startup-config</b>	Copies the running configuration to the startup configuration.

### Example

This example shows how to remove the inherited port profile named adam from the port profile named test:

```
switch# configure terminal
switch(config)# port-profile test
switch(config-ppm)# no inherit port-profile adam
switch(config-ppm)#
```



## CHAPTER 7

# Configuring Virtual Port Channels

---

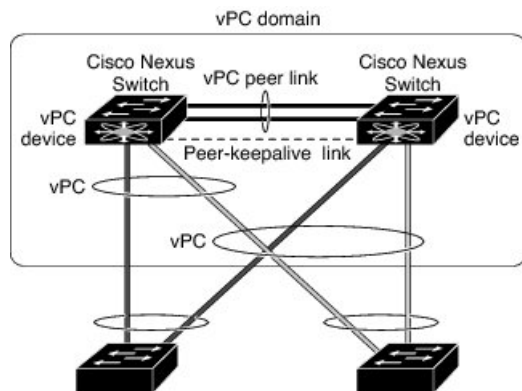
- [Information About vPCs, on page 120](#)
- [Per-VLAN Consistency Check, on page 125](#)
- [vPC Auto-Recovery, on page 125](#)
- [vPC Peer Links, on page 125](#)
- [vPC Number, on page 127](#)
- [vPC Interactions with Other Features, on page 127](#)
- [vPC Forklift Upgrade Scenario, on page 128](#)
- [Guidelines and Limitations for vPCs, on page 131](#)
- [Verifying the vPC Configuration, on page 132](#)
- [Viewing the Graceful Type-1 Check Status, on page 132](#)
- [Viewing a Global Type-1 Inconsistency, on page 133](#)
- [Viewing an Interface-Specific Type-1 Inconsistency, on page 134](#)
- [Viewing a Per-VLAN Consistency Status, on page 135](#)
- [vPC Default Settings, on page 138](#)
- [Configuring vPCs, on page 138](#)
- [Configuring a vPC Keepalive Link and Messages, on page 140](#)
- [Creating a vPC Peer Link, on page 143](#)
- [Checking the Configuration Compatibility, on page 144](#)
- [Enabling vPC Auto-Recovery, on page 145](#)
- [Configuring the Restore Time Delay, on page 146](#)
- [Excluding VLAN Interfaces from Shutting Down a vPC Peer Link Fails, on page 147](#)
- [Configuring the VRF Name, on page 148](#)
- [Moving Other Port Channels into a vPC, on page 149](#)
- [Manually Configuring a vPC Domain MAC Address, on page 150](#)
- [Manually Configuring the System Priority, on page 151](#)
- [Manually Configuring a vPC Peer Switch Role, on page 152](#)
- [Configuring Layer 3 over vPC, on page 153](#)

# Information About vPCs

## vPC Overview

A virtual port channel (vPC) allows links that are physically connected to two Cisco Nexus devices to appear as a single port channel by a third device (see the following figure). The third device can be a switch, server, or any other networking device. A vPC can provide multipathing, which allows you to create redundancy by enabling multiple parallel paths between nodes and load balancing traffic where alternative paths exist.

**Figure 6: vPC Architecture**



You configure the EtherChannels by using one of the following:

- No protocol
- Link Aggregation Control Protocol (LACP)

When you configure the EtherChannels in a vPC—including the vPC peer link channel—each switch can have up to 32 active links in a single EtherChannel.



**Note** You must enable the vPC feature before you can configure or run the vPC functionality.

To enable the vPC functionality, you must create a peer-keepalive link and a peer-link under the vPC domain for the two vPC peer switches to provide the vPC functionality.

To create a vPC peer link you configure an EtherChannel on one Cisco Nexus device by using two or more Ethernet ports. On the other switch, you configure another EtherChannel again using two or more Ethernet ports. Connecting these two EtherChannels together creates a vPC peer link.



**Note** We recommend that you configure the vPC peer-link EtherChannels as trunks.

The vPC domain includes both vPC peer devices, the vPC peer-keepalive link, the vPC peer link, and all of the EtherChannels in the vPC domain connected to the downstream device. You can have only one vPC domain ID on each vPC peer device.



---

**Note** Always attach all vPC devices using EtherChannels to both vPC peer devices.

---

A vPC provides the following benefits:

- Allows a single device to use an EtherChannel across two upstream devices
- Eliminates Spanning Tree Protocol (STP) blocked ports
- Provides a loop-free topology
- Uses all available uplink bandwidth
- Provides fast convergence if either the link or a switch fails
- Provides link-level resiliency
- Assures high availability

## Terminology

### vPC Terminology

The terminology used in vPCs is as follows:

- vPC—combined EtherChannel between the vPC peer devices and the downstream device.
- vPC peer device—One of a pair of devices that are connected with the special EtherChannel known as the vPC peer link.
- vPC peer link—link used to synchronize states between the vPC peer devices.
- vPC member port—Interfaces that belong to the vPCs.
- vPC domain—domain that includes both vPC peer devices, the vPC peer-keepalive link, and all of the port channels in the vPC connected to the downstream devices. It is also associated to the configuration mode that you must use to assign vPC global parameters. The vPC domain ID must be the same on both switches.
- vPC peer-keepalive link—The peer-keepalive link monitors the vitality of a vPC peer Cisco Nexus device. The peer-keepalive link sends configurable, periodic keepalive messages between vPC peer devices.

No data or synchronization traffic moves over the vPC peer-keepalive link; the only traffic on this link is a message that indicates that the originating switch is operating and running vPCs.

### vPC Domain

To create a vPC domain, you must first create a vPC domain ID on each vPC peer switch using a number from 1 to 1000. This ID must be the same on a set of vPC peer devices.

You can configure the EtherChannels and vPC peer links by using LACP or no protocol. When possible, we recommend that you use LACP on the peer-link, because LACP provides configuration checks against a configuration mismatch on the EtherChannel.

The vPC peer switches use the vPC domain ID that you configure to automatically assign a unique vPC system MAC address. Each vPC domain has a unique MAC address that is used as a unique identifier for the specific vPC-related operations, although the switches use the vPC system MAC addresses only for link-scope operations, such as LACP. We recommend that you create each vPC domain within the contiguous network with a unique domain ID. You can also configure a specific MAC address for the vPC domain, rather than having the Cisco NX-OS software assign the address.

The vPC peer switches use the vPC domain ID that you configure to automatically assign a unique vPC system MAC address. The switches use the vPC system MAC addresses only for link-scope operations, such as LACP or BPDUs. You can also configure a specific MAC address for the vPC domain.

We recommend that you configure the same VPC domain ID on both peers and, the domain ID should be unique in the network. For example, if there are two different VPCs (one in access and one in aggregation) then each vPC should have a unique domain ID.

After you create a vPC domain, the Cisco NX-OS software automatically creates a system priority for the vPC domain. You can also manually configure a specific system priority for the vPC domain.



---

**Note** If you manually configure the system priority, you must ensure that you assign the same priority value on both vPC peer switches. If the vPC peer switches have different system priority values, the vPC will not come up.

---

## Peer-Keepalive Link and Messages

The Cisco NX-OS software uses a peer-keepalive link between the vPC peers to transmit periodic, configurable keepalive messages. You must have Layer 3 connectivity between the peer switches to transmit these messages; the system cannot bring up the vPC peer link unless a peer-keepalive link is already up and running.

If one of the vPC peer switches fails, the vPC peer switch on the other side of the vPC peer link senses the failure when it does not receive any peer-keepalive messages. The default interval time for the vPC peer-keepalive message is 1 second. You can configure the interval between 400 milliseconds and 10 seconds. You can also configure a timeout value with a range of 3 to 20 seconds; the default timeout value is 5 seconds. The peer-keepalive status is checked only when the peer-link goes down.

The vPC peer-keepalive can be carried either in the management or default VRF on the Cisco Nexus device. When you configure the switches to use the management VRF, the source and destination for the keepalive messages are the mgmt 0 interface IP addresses. When you configure the switches to use the default VRF, an SVI must be created to act as the source and destination addresses for the vPC peer-keepalive messages.

Ensure that both the source and destination IP addresses used for the peer-keepalive messages are unique in your network and these IP addresses are reachable from the VRF associated with the vPC peer-keepalive link.



---

**Note** We recommend that you configure the vPC peer-keepalive link on the Cisco Nexus device to run in the management VRF using the mgmt 0 interfaces. If you configure the default VRF, ensure that the vPC peer link is not used to carry the vPC peer-keepalive messages.

---

## Compatibility Parameters for vPC Peer Links

Many configuration and operational parameters must be identical on all interfaces in the vPC. After you enable the vPC feature and configure the peer link on both vPC peer switches, Cisco Fabric Services (CFS) messages provide a copy of the configuration on the local vPC peer switch configuration to the remote vPC peer switch. The system then determines whether any of the crucial configuration parameters differ on the two switches.

Enter the **show vpc consistency-parameters** command to display the configured values on all interfaces in the vPC. The displayed configurations are only those configurations that would limit the vPC peer link and vPC from coming up.

The compatibility check process for vPCs differs from the compatibility check for regular EtherChannels.

### New Type 2 Consistency Check on the vPC Port-Channels

A new type 2 consistency check has been added to validate the switchport mac learn settings on the vPC port-channels. The CLI **show vpc consistency-check vPC <vpc no.>** has been enhanced to display the local and peer values of the switchport mac-learn configuration. Because it is a type 2 check, vPC is operationally up even if there is a mismatch between the local and the peer values, but the mismatch can be displayed from the CLI output.

```
switch# sh vpc consistency-parameters vpc 1112
```

Legend:

Type 1 : vPC will be suspended in case of mismatch

Name	Type	Local Value	Peer Value
Shut Lan	1	No	No
STP Port Type	1	Default	Default
STP Port Guard	1	None	None
STP MST Simulate PVST	1	Default	Default
nve configuration	1	nve	nve
lag-id	1	[(fa0, 0-23-4-ee-be-64, 8458, 0, 0), (8000, f4-4e-5-84-5e-3c, 457, 0, 0)]	[(fa0, 0-23-4-ee-be-64, 8458, 0, 0), 0, 0],
mode	1	active	active
Speed	1	10 Gb/s	10 Gb/s
Duplex	1	full	full
Port Mode	1	trunk	trunk
Native Vlan	1	1	1
MTU	1	1500	1500
Admin port mode	1		
Switchport MAC Learn	2	Enable	Disable>
Newly added consistency parameter			
vPC card type	1	Empty	Empty
Allowed VLANs	-	311-400	311-400
Local suspended VLANs	-	-	-

## Configuration Parameters That Must Be Identical

The configuration parameters in this section must be configured identically on both switches at either end of the vPC peer link.



**Note** You must ensure that all interfaces in the vPC have the identical operational and configuration parameters listed in this section.

Enter the **show vpc consistency-parameters** command to display the configured values on all interfaces in the vPC. The displayed configurations are only those configurations that would limit the vPC peer link and vPC from coming up.

The switch automatically checks for compatibility of these parameters on the vPC interfaces. The per-interface parameters must be consistent per interface, and the global parameters must be consistent globally.

- Port-channel mode: on, off, or active
- Link speed per channel
- Duplex mode per channel
- Trunk mode per channel:
  - Native VLAN
  - VLANs allowed on trunk
  - Tagging of native VLAN traffic
- Spanning Tree Protocol (STP) mode
- STP region configuration for Multiple Spanning Tree (MST)
- Enable or disable state per VLAN
- STP global settings:
  - Bridge Assurance setting
  - Port type setting—We recommend that you set all vPC interfaces as normal ports
  - Loop Guard settings
- STP interface settings:
  - Port type setting
  - Loop Guard
  - Root Guard

If any of these parameters are not enabled or defined on either switch, the vPC consistency check ignores those parameters.



**Note** To ensure that none of the vPC interfaces are in the suspend mode, enter the **show vpc brief** and **show vpc consistency-parameters** commands and check the syslog messages.

## Configuration Parameters That Should Be Identical

When any of the following parameters are not configured identically on both vPC peer switches, a misconfiguration might cause undesirable behavior in the traffic flow:

- MAC aging timers
- Static MAC entries

- VLAN interface—Each switch on the end of the vPC peer link must have a VLAN interface configured for the same VLAN on both ends and they must be in the same administrative and operational mode. Those VLANs configured on only one switch of the peer link do not pass traffic using the vPC or peer link. You must create all VLANs on both the primary and secondary vPC switches, or the VLAN will be suspended.
- All ACL configurations and parameters
- Quality of service (QoS) configuration and parameters—Local parameters; global parameters must be identical
- STP interface settings:
  - BPDU Filter
  - BPDU Guard
  - Cost
  - Link type
  - Priority
  - VLANs (Rapid PVST+)

To ensure that all the configuration parameters are compatible, we recommend that you display the configurations for each vPC peer switch once you configure the vPC.

## Per-VLAN Consistency Check

Some Type-1 consistency checks are performed on a per-VLAN basis when spanning tree is enabled or disabled on a VLAN. VLANs that do not pass the consistency check are brought down on both the primary and secondary switches while other VLANs are not affected.

## vPC Auto-Recovery

When both vPC peer switches reload and only one switch reboots, auto-recovery allows that switch to assume the role of the primary switch and the vPC links will be allowed to come up after a predetermined period of time. The reload delay period in this scenario can range from 240 to 3600 seconds.

When vPCs are disabled on a secondary vPC switch due to a peer-link failure and then the primary vPC switch fails or is unable to forward traffic, the secondary switch reenables the vPCs. In this scenario, the vPC waits for three consecutive keepalive failures to recover the vPC links.

The vPC auto-recovery feature is enabled by default.

## vPC Peer Links

A vPC peer link is the link that is used to synchronize the states between the vPC peer devices.



---

**Note** You must configure the peer-keepalive link before you configure the vPC peer link or the peer link will not come up.

---

## vPC Peer Link Overview

You can have only two switches as vPC peers; each switch can serve as a vPC peer to only one other vPC peer. The vPC peer switches can also have non-vPC links to other switches.

To make a valid configuration, you configure an EtherChannel on each switch and then configure the vPC domain. You assign the EtherChannel on each switch as a peer link. For redundancy, we recommend that you should configure at least two dedicated ports into the EtherChannel; if one of the interfaces in the vPC peer link fails, the switch automatically falls back to use another interface in the peer link.



---

**Note** We recommend that you configure the EtherChannels in trunk mode.

---

Many operational parameters and configuration parameters must be the same in each switch connected by a vPC peer link. Because each switch is completely independent on the management plane, you must ensure that the switches are compatible on the critical parameters. vPC peer switches have separate control planes. After configuring the vPC peer link, you should display the configuration on each vPC peer switch to ensure that the configurations are compatible.



---

**Note** You must ensure that the two switches connected by the vPC peer link have certain identical operational and configuration parameters.

---

When you configure the vPC peer link, the vPC peer switches negotiate that one of the connected switches is the primary switch and the other connected switch is the secondary switch. By default, the Cisco NX-OS software uses the lowest MAC address to elect the primary switch. The software takes different actions on each switch—that is, the primary and secondary—only in certain failover conditions. If the primary switch fails, the secondary switch becomes the operational primary switch when the system recovers, and the previously primary switch is now the secondary switch.

You can also configure which of the vPC switches is the primary switch. If you want to configure the role priority again to make one vPC switch the primary switch, configure the role priority on both the primary and secondary vPC switches with the appropriate values, shut down the EtherChannel that is the vPC peer link on both switches by entering the **shutdown** command, and reenab the EtherChannel on both switches by entering the **no shutdown** command.

MAC addresses that are learned over vPC links are also synchronized between the peers.

Configuration information flows across the vPC peer links using the Cisco Fabric Services over Ethernet (CFS over Ethernet) protocol. All MAC addresses for those VLANs configured on both switches are synchronized between vPC peer switches. The software uses CFS over Ethernet for this synchronization.

If the vPC peer link fails, the software checks the status of the remote vPC peer switch using the peer-keepalive link, which is a link between vPC peer switches, to ensure that both switches are up. If the vPC peer switch is up, the secondary vPC switch disables all vPC ports on its switch. The data then forwards down the remaining active links of the EtherChannel.

The software learns of a vPC peer switch failure when the keepalive messages are not returned over the peer-keepalive link.

Use a separate link (vPC peer-keepalive link) to send configurable keepalive messages between the vPC peer switches. The keepalive messages on the vPC peer-keepalive link determines whether a failure is on the vPC

peer link only or on the vPC peer switch. The keepalive messages are used only when all the links in the peer link fail.

## vPC Number

Once you have created the vPC domain ID and the vPC peer link, you can create EtherChannels to attach the downstream switch to each vPC peer switch. That is, you create one single EtherChannel on the downstream switch with half of the ports to the primary vPC peer switch and the other half of the ports to the secondary peer switch.

On each vPC peer switch, you assign the same vPC number to the EtherChannel that connects to the downstream switch. You will experience minimal traffic disruption when you are creating vPCs. To simplify the configuration, you can assign the vPC ID number for each EtherChannel to be the same as the EtherChannel itself (that is, vPC ID 10 for EtherChannel 10).



---

**Note** The vPC number that you assign to the EtherChannel that connects to the downstream switch from the vPC peer switch must be identical on both vPC peer switches.

---

## vPC Interactions with Other Features

### vPC and LACP

The Link Aggregation Control Protocol (LACP) uses the system MAC address of the vPC domain to form the LACP Aggregation Group (LAG) ID for the vPC.

You can use LACP on all the vPC EtherChannels, including those channels from the downstream switch. We recommend that you configure LACP with active mode on the interfaces on each EtherChannel on the vPC peer switches. This configuration allows you to more easily detect compatibility between switches, unidirectional links, and multihop connections, and provides dynamic reaction to run-time changes and link failures.

The vPC peer link supports 16 EtherChannel interfaces.



---

**Note** When you manually configure the system priority, you must ensure that you assign the same priority value on both vPC peer switches. If the vPC peer switches have different system priority values, vPC does not come up.

---

### vPC Peer Links and STP

When you first bring up the vPC functionality, STP reconverges. STP treats the vPC peer link as a special link and always includes the vPC peer link in the STP active topology.

We recommend that you set all the vPC peer link interfaces to the STP network port type so that Bridge Assurance is automatically enabled on all vPC peer links. We also recommend that you do not enable any of the STP enhancement features on vPC peer links.

You must configure a list of parameters to be identical on the vPC peer switches on both sides of the vPC peer link.

STP is distributed; that is, the protocol continues running on both vPC peer switches. However, the configuration on the vPC peer switch elected as the primary switch controls the STP process for the vPC interfaces on the secondary vPC peer switch.

The primary vPC switch synchronizes the STP state on the vPC secondary peer switch using Cisco Fabric Services over Ethernet (CFSOE).

The vPC manager performs a proposal/handshake agreement between the vPC peer switches that sets the primary and secondary switches and coordinates the two switches for STP. The primary vPC peer switch then controls the STP protocol for vPC interfaces on both the primary and secondary switches.

The Bridge Protocol Data Units (BPDUs) use the MAC address set for the vPC for the STP bridge ID in the designated bridge ID field. The vPC primary switch sends these BPDUs on the vPC interfaces.



---

**Note** Display the configuration on both sides of the vPC peer link to ensure that the settings are identical. Use the **show spanning-tree** command to display information about the vPC.

---

## CFSOE

The Cisco Fabric Services over Ethernet (CFSOE) is a reliable state transport mechanism that you can use to synchronize the actions of the vPC peer devices. CFSOE carries messages and packets for many features linked with vPC, such as STP and IGMP. Information is carried in CFS/CFSOE protocol data units (PDUs).

When you enable the vPC feature, the device automatically enables CFSOE, and you do not have to configure anything. CFSOE distributions for vPCs do not need the capabilities to distribute over IP or the CFS regions. You do not need to configure anything for the CFSOE feature to work correctly on vPCs.

You can use the **show mac address-table** command to display the MAC addresses that CFSOE synchronizes for the vPC peer link.



---

**Note** Do not enter the **no cfs eth distribute** or the **no cfs distribute** command. CFSOE must be enabled for vPC functionality. If you do enter either of these commands when vPC is enabled, the system displays an error message.

---

When you enter the **show cfs application** command, the output displays "Physical-eth," which shows the applications that are using CFSOE.

## vPC Forklift Upgrade Scenario

The following describes a scenario for migrating from a pair of Cisco Nexus 3600 platform switches in a vPC topology to a different pair of Cisco Nexus 3600 platform switches.

Considerations for a vPC forklift upgrade:

- vPC Role Election and Sticky-bit

When the two vPC systems are joined to form a vPC domain, priority decides which device is the vPC primary and which is the vPC secondary. When the primary device is reloaded, the system comes back online and connectivity to the vPC secondary device (now the operational primary) is restored. The operational role of the secondary device (operational primary) does not change (to avoid unnecessary disruptions). This behavior is achieved with a sticky-bit, where the sticky information is not saved in the startup configuration. This method makes the device that is up and running win over the reloaded device. Hence, the vPC primary becomes the vPC operational secondary. Sticky-bit is also set when a vPC node comes up with peer-link and peer-keepalive down and it becomes primary after the auto recovery period.

- vPC Delay Restore

The delay restore timer is used to delay the vPC from coming up on the restored vPC peer device after a reload when the peer adjacency is already established.

To delay the VLAN interfaces on the restored vPC peer device from coming up, use the **interfaces-vlan** option of the **delay restore** command.

- vPC Auto-Recovery

During a data center power outage when both vPC peer switches go down, if only one switch is restored, the auto-recovery feature allows that switch to assume the role of the primary switch and the vPC links come up after the auto-recovery time period. The default auto-recovery period is 240 seconds.

The following example is a migration scenario that replaces vPC peer nodes Node1 and Node2 with New\_Node1 and New\_Node2.

	Migration Step	Expected Behavior	Node1 Configured role ( Ex: role priority 100)	Node1 Operational role	Node2 Configured role (Ex: role priority 200)	Node2 Operational role
1	Initial state	Traffic is forwarded by both vPC peers – Node1 and Node2.  Node1 is primary and Node2 is secondary.	primary	Primary  Sticky bit: False	secondary	Secondary  Sticky bit: False
2	Node2 replacement – Shut all vPCs and uplinks on Node2. Peer-link and vPC peer-keepalive are in administrative up state.	Traffic converged on Primary vPC peer Node1.	primary	Primary  Sticky bit: False	secondary	Secondary  Sticky bit: False
3	Remove Node2.	Node1 will continue to forward traffic.	primary	Primary  Sticky bit: False	n/a	n/a

	<b>Migration Step</b>	<b>Expected Behavior</b>	<b>Node1 Configured role ( Ex: role priority 100)</b>	<b>Node1 Operational role</b>	<b>Node2 Configured role (Ex: role priority 200)</b>	<b>Node2 Operational role</b>
4	Configure New_Node2. Copy the configuration to startup config. vPC peer-link and peer-keepalive in administrative up state.  Power off New_Node2.  Make all connections.  Power on New_Node2.	New_Node2 will come up as secondary. Node1 continue to be primary.  Traffic will continue to be forwarded on Node01.	primary	Primary  Sticky bit: False	secondary	Secondary  Sticky bit: False
5	Bring up all vPCs and uplink ports on New_Node2.	Traffic will be forwarded by both Node 1 and New_Node2.	primary	Primary  Sticky bit: False	secondary	Secondary  Sticky bit: False
6	Node1 replacement - Shut vPCs and uplinks on Node1.	Traffic will converge on New_Node2.	primary	Primary  Sticky bit: False	secondary	Secondary  Sticky bit: False
7	Remove Node1.	New_Node2 will become secondary, operational primary and sticky bit will be set to True.	n/a	n/a	secondary	Primary  Sticky bit: True
8	Configure New_Node1. Copy running to startup.  Power off the new Node1. Make all connections. Power on New_Node1.	New_Node1 will come up as primary, operational secondary.	primary	Secondary  Sticky bit: False	secondary	Primary  Sticky bit: True
9	Bring up all vPCs and uplink ports on New_Node1.	Traffic will be forwarded by both New Node1 and new Node2.	primary	Secondary  Sticky bit: False	secondary	Primary  Sticky bit: True



**Note** If you prefer to have the configured secondary node as the operational secondary and the configured primary as the operational primary, then Node2 can be reloaded at the end of the migration. This is optional and does not have any functional impact.

## Guidelines and Limitations for vPCs

vPCs have the following configuration guidelines and limitations:

- vPC is not supported between different types of Cisco Nexus 3000 Series switches.
- VPC peers should have same reserved VLANs for VXLAN. Different reserved VLANs on the peers may lead to undesired behavior with VXLAN.
- The output of the **sh vpc brief** CLI command displays two additional fields, Delay-restore status and Delay-restore SVI status.
- You must enable the vPC feature before you can configure vPC peer-link and vPC interfaces.
- You must configure the peer-keepalive link before the system can form the vPC peer link.
- The vPC peer-link needs to be formed using a minimum of two 10-Gigabit Ethernet interfaces.
- We recommend that you configure the same vPC domain ID on both peers and the domain ID should be unique in the network. For example, if there are two different vPCs (one in access and one in aggregation) then each vPC should have a unique domain ID.
- Only port channels can be in vPCs. A vPC can be configured on a normal port channel (switch-to-switch vPC topology) and on a port channel host interface (host interface vPC topology).
- You must configure both vPC peer switches; the configuration is not automatically synchronized between the vPC peer devices.
- Check that the necessary configuration parameters are compatible on both sides of the vPC peer link.
- You might experience minimal traffic disruption while configuring vPCs.
- You should configure all port channels in the vPC using LACP with the interfaces in active mode.
- You might experience traffic disruption when the first member of a vPC is brought up.
- OSPF over vPC and BFD with OSPF are supported on Cisco Nexus 3000 Series switches.

SVI limitation: When a BFD session is over SVI using virtual port-channel(vPC) peer-link, the BFD echo function is not supported. You must disable the BFD echo function for all sessions over SVI between vPC peer nodes using **no bfd echo** at the SVI configuration level.

- When a Layer 3 link is used for peer-keepalive instead of the mgmt interface, and the CPU queues are congested with control plane traffic, vPC peer-keepalive packets could be dropped. The CPU traffic includes routing protocol, ARP, Glean, and IPMC miss packets. When the peer-keepalive interface is a Layer 3 link instead of a mgmt interface, the vPC peer-keepalive packets are sent to the CPU on a low-priority queue.

If a Layer 3 link is used for vPC peer-keepalives, configure the following ACL to prioritize the vPC peer-keepalive:

```
ip access-list copp-system-acl-routingproto2
30 permit udp any any eq 3200
```

Here, 3200 is the default UDP port for keepalive packets. This ACL must match the configured UDP port in case the default port is changed.

## Verifying the vPC Configuration

Use the following commands to display vPC configuration information:

Command	Purpose
switch# <b>show feature</b>	Displays whether vPC is enabled or not.
switch# <b>show port-channel capacity</b>	Displays how many EtherChannels are configured and how many are still available on the switch.
switch# <b>show running-config vpc</b>	Displays running configuration information for vPCs.
switch# <b>show vpc brief</b>	Displays brief information on the vPCs.
switch# <b>show vpc consistency-parameters</b>	Displays the status of those parameters that must be consistent across all vPC interfaces.
switch# <b>show vpc peer-keepalive</b>	Displays information on the peer-keepalive messages.
switch# <b>show vpc role</b>	Displays the peer status, the role of the local switch, the vPC system MAC address and system priority, and the MAC address and priority for the local vPC switch.
switch# <b>show vpc statistics</b>	Displays statistics on the vPCs.  <b>Note</b> This command displays the vPC statistics only for the vPC peer device that you are working on.

For information about the switch output, see the Command Reference for your Cisco Nexus Series switch.

## Viewing the Graceful Type-1 Check Status

This example shows how to display the current status of the graceful Type-1 consistency check:

```
switch# show vpc brief
Legend:
          (*) - local vPC is down, forwarding via vPC peer-link

vPC domain id           : 10
Peer status              : peer adjacency formed ok
vPC keep-alive status    : peer is alive
Configuration consistency status: success
Per-vlan consistency status : success
Type-2 consistency status : success
vPC role                 : secondary
Number of vPCs configured : 34
```

```

Peer Gateway                : Disabled
Dual-active excluded VLANs  : -
Graceful Consistency Check  : Enabled
Auto-recovery status        : Disabled
Delay-restore status        : Timer is off.(timeout = 30s)
Delay-restore SVI status    : Timer is off.(timeout = 10s)

```

```
vPC Peer-link status
```

```

-----
id   Port   Status Active vlans
--   -
1    Po1    up      1

```

## Viewing a Global Type-1 Inconsistency

When a global Type-1 inconsistency occurs, the vPCs on the secondary switch are brought down. The following example shows this type of inconsistency when there is a spanning-tree mode mismatch.

The example shows how to display the status of the suspended vPC VLANs on the secondary switch:

```

switch(config)# show vpc
Legend:
          (*) - local vPC is down, forwarding via vPC peer-link

vPC domain id                : 10
Peer status                   : peer adjacency formed ok
vPC keep-alive status        : peer is alive
Configuration consistency status: failed
Per-vlan consistency status  : success
Configuration consistency reason: vPC type-1 configuration incompatible - STP
                               Mode inconsistent

Type-2 consistency status    : success
vPC role                      : secondary
Number of vPCs configured    : 2
Peer Gateway                  : Disabled
Dual-active excluded VLANs    : -
Graceful Consistency Check    : Enabled

vPC Peer-link status
-----
id   Port   Status Active vlans
--   -
1    Po1    up      1-10

vPC status
-----
id   Port   Status Consistency Reason              Active vlans
-----
20   Po20   down* failed   Global compat check failed -
30   Po30   down* failed   Global compat check failed -

```

The example shows how to display the inconsistent status ( the VLANs on the primary vPC are not suspended) on the primary switch:

```

switch(config)# show vpc
Legend:
          (*) - local vPC is down, forwarding via vPC peer-link

vPC domain id                : 10
Peer status                   : peer adjacency formed ok
vPC keep-alive status        : peer is alive

```

```

Configuration consistency status: failed
Per-vlan consistency status      : success
Configuration consistency reason: vPC type-1 configuration incompatible - STP Mode inconsistent
Type-2 consistency status       : success
vPC role                         : primary
Number of vPCs configured       : 2
Peer Gateway                     : Disabled
Dual-active excluded VLANs      : -
Graceful Consistency Check      : Enabled

```

```
vPC Peer-link status
```

```

-----
id  Port  Status Active vlans
--  ---  -----
1   Po1   up     1-10

```

```
vPC status
```

```

-----
id  Port      Status Consistency Reason                               Active vlans
-----
20  Po20      up     failed      Global compat check failed 1-10
30  Po30      up     failed      Global compat check failed 1-10

```

## Viewing an Interface-Specific Type-1 Inconsistency

When an interface-specific Type-1 inconsistency occurs, the vPC port on the secondary switch is brought down while the primary switch vPC ports remain up. The following example shows this type of inconsistency when there is a switchport mode mismatch.

This example shows how to display the status of the suspended vPC VLAN on the secondary switch:

```

switch(config-if)# show vpc brief
Legend:
          (*) - local vPC is down, forwarding via vPC peer-link

vPC domain id           : 10
Peer status             : peer adjacency formed ok
vPC keep-alive status   : peer is alive
Configuration consistency status: success
Per-vlan consistency status : success
Type-2 consistency status : success
vPC role                 : secondary
Number of vPCs configured : 2
Peer Gateway            : Disabled
Dual-active excluded VLANs : -
Graceful Consistency Check : Enabled
Auto-recovery status    : Disabled
Delay-restore status    : Timer is off.(timeout = 30s)
Delay-restore SVI status : Timer is off.(timeout = 10s)

vPC Peer-link status
-----
id  Port  Status Active vlans
--  ---  -----
1   Po1   up     1

vPC status
-----
id  Port      Status Consistency Reason                               Active vlans

```

```

-----
20   Po20   up    success  success  1
30   Po30   down* failed  Compatibility check failed -
                                     for port mode

```

This example shows how to display the inconsistent status (the VLANs on the primary vPC are not suspended) on the primary switch:

```

switch(config-if)# show vpc brief
Legend:
          (*) - local vPC is down, forwarding via vPC peer-link

vPC domain id           : 10
Peer status             : peer adjacency formed ok
vPC keep-alive status   : peer is alive
Configuration consistency status: success
Per-vlan consistency status : success
Type-2 consistency status : success
vPC role                : primary
Number of vPCs configured : 2
Peer Gateway           : Disabled
Dual-active excluded VLANs : -
Graceful Consistency Check : Enabled
Auto-recovery status    : Disabled
Delay-restore status    : Timer is off.(timeout = 30s)
Delay-restore SVI status : Timer is off.(timeout = 10s)

vPC Peer-link status
-----
id   Port   Status Active vlans
--   -
1    Po1    up     1

vPC status
-----
id   Port   Status Consistency Reason              Active vlans
-----
20   Po20   up     success  success  1
30   Po30   up     failed   Compatibility check failed 1
                                     for port mode

```

## Viewing a Per-VLAN Consistency Status

To view the per-VLAN consistency or inconsistency status, enter the **show vpc consistency-parameters vlans** command.

### Example

This example shows how to display the consistent status of the VLANs on the primary and the secondary switches.

```

switch(config-if)# show vpc brief
Legend:
          (*) - local vPC is down, forwarding via vPC peer-link

vPC domain id           : 10
Peer status             : peer adjacency formed ok

```

```

vPC keep-alive status      : peer is alive
Configuration consistency status: success
Per-vlan consistency status : success
Type-2 consistency status  : success
vPC role                   : secondary
Number of vPCs configured  : 2
Peer Gateway               : Disabled
Dual-active excluded VLANs : -
Graceful Consistency Check : Enabled
Auto-recovery status       : Disabled
Delay-restore status       : Timer is off.(timeout = 30s)
Delay-restore SVI status   : Timer is off.(timeout = 10s)

```

## vPC Peer-link status

```

-----
id  Port  Status Active vlans
--  ---  -----
1   Po1   up     1-10

```

## vPC status

```

-----
id  Port  Status Consistency Reason Active vlans
-----
20  Po20  up     success success 1-10
30  Po30  up     success success 1-10

```

Entering **no spanning-tree vlan 5** command triggers the inconsistency on the primary and secondary VLANs:

```
switch(config)# no spanning-tree vlan 5
```

This example shows how to display the per-VLAN consistency status as Failed on the secondary switch:

```
switch(config)# show vpc brief
```

Legend:

(\*) - local vPC is down, forwarding via vPC peer-link

```

vPC domain id              : 1
Peer status                 : peer adjacency formed ok
vPC keep-alive status       : peer is alive
Configuration consistency status : success
Per-vlan consistency status  : success
Type-2 consistency status   : success
vPC role                    : primary
Number of vPCs configured   : 2
Peer Gateway                : Disabled
Dual-active excluded VLANs and BDs : -
Graceful Consistency Check  : Enabled
Auto-recovery status        : Enabled, timer is off.(timeout = 240s)
Delay-restore status        : Timer is off.(timeout = 30s)
Delay-restore SVI status    : Timer is off.(timeout = 10s)

```

## vPC Peer-link status

```

-----
id  Port  Status Active vlans
--  ---  -----
1   Po1000 up     1-5,8,11-19

```

## vPC status

```

-----
id  Port  Status Consistency Active VLANs

```

```
-----
101 Po101      up      success  1-5,8,11-19
102 Po102      up      success  1-5,8,11-19
```

This example shows how to display the per-VLAN consistency status as Failed on the primary switch:

```
switch(config)# show vpc brief
```

Legend:

(\*) - local vPC is down, forwarding via vPC peer-link

```
vPC domain id           : 10
Peer status             : peer adjacency formed ok
vPC keep-alive status   : peer is alive
Configuration consistency status: success
Per-vlan consistency status : failed
Type-2 consistency status : success
vPC role                : primary
Number of vPCs configured : 2
Peer Gateway            : Disabled
Dual-active excluded VLANs : -
Graceful Consistency Check : Enabled
Auto-recovery status    : Disabled
Delay-restore status     : Timer is off.(timeout = 30s)
Delay-restore SVI status : Timer is off.(timeout = 10s)
```

vPC Peer-link status

```
-----
id  Port  Status Active vlans
--  ---  -----
1   Pol  up    1-4,6-10
```

vPC status

```
-----
id  Port  Status Consistency Reason          Active vlans
-----
20  Po20  up    success  success          1-4,6-10
30  Po30  up    success  success          1-4,6-10
```

This example shows the inconsistency as STP Disabled:

```
switch(config)# show vpc consistency-parameters vlans
```

Name	Type	Reason Code	Pass Vlans
STP Mode	1	success	0-4095
<b>STP Disabled</b>	<b>1</b>	<b>vPC type-1 configuration incompatible - STP is enabled or disabled on some or all vlans</b>	<b>0-4,6-4095</b>
STP MST Region Name	1	success	0-4095
STP MST Region Revision	1	success	0-4095
STP MST Region Instance to VLAN Mapping	1	success	0-4095
STP Loopguard	1	success	0-4095
STP Bridge Assurance	1	success	0-4095
STP Port Type, Edge	1	success	0-4095
BPDUFILTER, Edge BPDUGuard	1	success	0-4095
STP MST Simulate PVST	1	success	0-4095
Pass Vlans	-		0-4,6-4095

## vPC Default Settings

The following table lists the default settings for vPC parameters.

*Table 11: Default vPC Parameters*

Parameters	Default
vPC system priority	32667
vPC peer-keepalive message	Disabled
vPC peer-keepalive interval	1 second
vPC peer-keepalive timeout	5 seconds
vPC peer-keepalive UDP port	3200

## Configuring vPCs

### Enabling vPCs

You must enable the vPC feature before you can configure and use vPCs.

#### SUMMARY STEPS

1. switch# **configure terminal**
2. switch(config)# **feature vpc**
3. (Optional) switch# **show feature**
4. (Optional) switch# **copy running-config startup-config**

#### DETAILED STEPS

##### Procedure

	Command or Action	Purpose
<b>Step 1</b>	switch# <b>configure terminal</b>	Enters global configuration mode.
<b>Step 2</b>	switch(config)# <b>feature vpc</b>	Enables vPCs on the switch.
<b>Step 3</b>	(Optional) switch# <b>show feature</b>	Displays which features are enabled on the switch.
<b>Step 4</b>	(Optional) switch# <b>copy running-config startup-config</b>	Copies the running configuration to the startup configuration.

**Example**

This example shows how to enable the vPC feature:

```
switch# configure terminal
switch(config)# feature vpc
```

**Disabling vPCs**

You can disable the vPC feature.



**Note** When you disable the vPC feature, the Cisco Nexus device clears all the vPC configurations.

**SUMMARY STEPS**

1. switch# **configure terminal**
2. switch(config)# **no feature vpc**
3. (Optional) switch# **show feature**
4. (Optional) switch# **copy running-config startup-config**

**DETAILED STEPS****Procedure**

	<b>Command or Action</b>	<b>Purpose</b>
<b>Step 1</b>	switch# <b>configure terminal</b>	Enters global configuration mode.
<b>Step 2</b>	switch(config)# <b>no feature vpc</b>	Disables vPCs on the switch.
<b>Step 3</b>	(Optional) switch# <b>show feature</b>	Displays which features are enabled on the switch.
<b>Step 4</b>	(Optional) switch# <b>copy running-config startup-config</b>	Copies the running configuration to the startup configuration.

**Example**

This example shows how to disable the vPC feature:

```
switch# configure terminal
switch(config)# no feature vpc
```

**Creating a vPC Domain**

You must create identical vPC domain IDs on both the vPC peer devices. This domain ID is used to automatically form the vPC system MAC address.

**Before you begin**

Ensure that you have enabled the vPC feature.

You must configure both switches on either side of the vPC peer link.

**SUMMARY STEPS**

1. switch# **configure terminal**
2. switch(config)# **vpc domain** *domain-id*
3. (Optional) switch# **show vpc brief**
4. (Optional) switch# **copy running-config startup-config**

**DETAILED STEPS****Procedure**

	<b>Command or Action</b>	<b>Purpose</b>
<b>Step 1</b>	switch# <b>configure terminal</b>	Enters global configuration mode.
<b>Step 2</b>	switch(config)# <b>vpc domain</b> <i>domain-id</i>	Creates a vPC domain on the switch, and enters the vpc-domain configuration mode. There is no default <i>domain-id</i> ; the range is from 1 to 1000.  <b>Note</b> You can also use the <b>vpc domain</b> command to enter the vpc-domain configuration mode for an existing vPC domain.
<b>Step 3</b>	(Optional) switch# <b>show vpc brief</b>	Displays brief information about each vPC domain.
<b>Step 4</b>	(Optional) switch# <b>copy running-config startup-config</b>	Copies the running configuration to the startup configuration.

**Example**

This example shows how to create a vPC domain:

```
switch# configure terminal
switch(config)# vpc domain 5
```

## Configuring a vPC Keepalive Link and Messages

You can configure the destination IP for the peer-keepalive link that carries the keepalive messages. Optionally, you can configure other parameters for the keepalive messages.

The Cisco NX-OS software uses the peer-keepalive link between the vPC peers to transmit periodic, configurable keepalive messages. You must have Layer 3 connectivity between the peer devices to transmit these messages. The system cannot bring up the vPC peer link unless the peer-keepalive link is already up and running.

Ensure that both the source and destination IP addresses used for the peer-keepalive message are unique in your network and these IP addresses are reachable from the Virtual Routing and Forwarding (VRF) instance associated with the vPC peer-keepalive link.



**Note** We recommend that you configure a separate VRF instance and put a Layer 3 port from each vPC peer switch into that VRF instance for the vPC peer-keepalive link. Do not use the peer link itself to send vPC peer-keepalive messages.

**Before you begin**

Ensure that you have enabled the vPC feature.

You must configure the vPC peer-keepalive link before the system can form the vPC peer link.

You must configure both switches on either side of the vPC peer link.

**SUMMARY STEPS**

1. switch# **configure terminal**
2. switch(config)# **vpc domain** *domain-id*
3. switch(config-vpc-domain)# **peer-keepalive destination** *ipaddress* [**hold-timeout** *secs* | **interval** *msecs* {**timeout** *secs*} | **precedence** {*prec-value* | **network** | **internet** | **critical** | **flash-override** | **flash** | **immediate priority** | **routine**} | **tos** {*tos-value* | **max-reliability** | **max-throughput** | **min-delay** | **min-monetary-cost** | **normal**} | **tos-byte** *tos-byte-value*} | **source** *ipaddress* | **vrf** {*name* | **management vpc-keepalive**}]
4. (Optional) switch(config-vpc-domain)# **vpc peer-keepalive destination** *ipaddress* **source** *ipaddress*
5. (Optional) switch# **show vpc peer-keepalive**
6. (Optional) switch# **copy running-config startup-config**

**DETAILED STEPS**

**Procedure**

	<b>Command or Action</b>	<b>Purpose</b>
<b>Step 1</b>	switch# <b>configure terminal</b>	Enters global configuration mode.
<b>Step 2</b>	switch(config)# <b>vpc domain</b> <i>domain-id</i>	Creates a vPC domain on the switch if it does not already exist, and enters the vpc-domain configuration mode.
<b>Step 3</b>	switch(config-vpc-domain)# <b>peer-keepalive destination</b> <i>ipaddress</i> [ <b>hold-timeout</b> <i>secs</i>   <b>interval</b> <i>msecs</i> { <b>timeout</b> <i>secs</i> }   <b>precedence</b> { <i>prec-value</i>   <b>network</b>   <b>internet</b>   <b>critical</b>   <b>flash-override</b>   <b>flash</b>   <b>immediate priority</b>   <b>routine</b> }   <b>tos</b> { <i>tos-value</i>   <b>max-reliability</b>   <b>max-throughput</b>   <b>min-delay</b>   <b>min-monetary-cost</b>   <b>normal</b> }   <b>tos-byte</b> <i>tos-byte-value</i> }   <b>source</b> <i>ipaddress</i>   <b>vrf</b> { <i>name</i>   <b>management vpc-keepalive</b> }]	Configures the IPv4 address for the remote end of the vPC peer-keepalive link.  <b>Note</b> The system does not form the vPC peer link until you configure a vPC peer-keepalive link.  The management ports and VRF are the defaults.

	Command or Action	Purpose
<b>Step 4</b>	(Optional) switch(config-vpc-domain)# <b>vpc peer-keepalive destination ipaddress source ipaddress</b>	Configures a separate VRF instance and puts a Layer 3 port from each vPC peer device into that VRF for the vPC peer-keepalive link.
<b>Step 5</b>	(Optional) switch# <b>show vpc peer-keepalive</b>	Displays information about the configuration for the keepalive messages.
<b>Step 6</b>	(Optional) switch# <b>copy running-config startup-config</b>	Copies the running configuration to the startup configuration.

### Example

This example shows how to configure the destination IP address for the vPC-peer-keepalive link:

```
switch# configure terminal
switch(config)# vpc domain 5
switch(config-vpc-domain)# peer-keepalive destination 10.10.10.42
```

This example shows how to set up the peer keepalive link connection between the primary and secondary vPC device:

```
switch(config)# vpc domain 100
switch(config-vpc-domain)# peer-keepalive destination 192.168.2.2 source 192.168.2.1
Note:-----: Management VRF will be used as the default VRF ::-----
switch(config-vpc-domain)#
```

This example shows how to create a separate VRF named vpc\_keepalive for the vPC keepalive link and how to verify the new VRF:

```
vrf context vpc_keepalive
interface Ethernet1/31
  switchport access vlan 123
interface Vlan123
  vrf member vpc_keepalive
  ip address 123.1.1.2/30
  no shutdown
vpc domain 1
  peer-keepalive destination 123.1.1.1 source 123.1.1.2 vrf
  vpc_keepalive

L3-NEXUS-2# show vpc peer-keepalive

vPC keep-alive status           : peer is alive
--Peer is alive for            : (154477) seconds, (908) msec
--Send status                  : Success
--Last send at                 : 2011.01.14 19:02:50 100 ms
--Sent on interface            : Vlan123
--Receive status               : Success
--Last receive at              : 2011.01.14 19:02:50 103 ms
--Received on interface        : Vlan123
--Last update from peer        : (0) seconds, (524) msec

vPC Keep-alive parameters
--Destination                   : 123.1.1.1
--Keepalive interval            : 1000 msec
```

```
--Keepalive timeout           : 5 seconds
--Keepalive hold timeout      : 3 seconds
--Keepalive vrf               : vpc_keepalive
--Keepalive udp port          : 3200
--Keepalive tos                : 192
```

The services provided by the switch , such as ping, ssh, telnet, radius, are VRF aware. The VRF name need to be configured or specified in order for the correct routing table to be used.

```
L3-NEXUS-2# ping 123.1.1.1 vrf vpc_keepalive
PING 123.1.1.1 (123.1.1.1): 56 data bytes
64 bytes from 123.1.1.1: icmp_seq=0 ttl=254 time=3.234 ms
64 bytes from 123.1.1.1: icmp_seq=1 ttl=254 time=4.931 ms
64 bytes from 123.1.1.1: icmp_seq=2 ttl=254 time=4.965 ms
64 bytes from 123.1.1.1: icmp_seq=3 ttl=254 time=4.971 ms
64 bytes from 123.1.1.1: icmp_seq=4 ttl=254 time=4.915 ms
```

```
--- 123.1.1.1 ping statistics ---
5 packets transmitted, 5 packets received, 0.00% packet loss
round-trip min/avg/max = 3.234/4.603/4.971 ms
```

## Creating a vPC Peer Link

You can create a vPC peer link by designating the EtherChannel that you want on each switch as the peer link for the specified vPC domain. We recommend that you configure the EtherChannels that you are designating as the vPC peer link in trunk mode and that you use two ports on separate modules on each vPC peer switch for redundancy.

### Before you begin

Ensure that you have enabled the vPC feature.

You must configure both switches on either side of the vPC peer link

### SUMMARY STEPS

1. switch# **configure terminal**
2. switch(config)# **interface port-channel** *channel-number*
3. switch(config-if)# **vpc peer-link**
4. (Optional) switch# **show vpc brief**
5. (Optional) switch# **copy running-config startup-config**

### DETAILED STEPS

#### Procedure

	Command or Action	Purpose
<b>Step 1</b>	switch# <b>configure terminal</b>	Enters global configuration mode.
<b>Step 2</b>	switch(config)# <b>interface port-channel</b> <i>channel-number</i>	Selects the EtherChannel that you want to use as the vPC peer link for this switch, and enters the interface configuration mode.

	Command or Action	Purpose
<b>Step 3</b>	switch(config-if)# <b>vpc peer-link</b>	Configures the selected EtherChannel as the vPC peer link, and enters the vpc-domain configuration mode.
<b>Step 4</b>	(Optional) switch# <b>show vpc brief</b>	Displays information about each vPC, including information about the vPC peer link.
<b>Step 5</b>	(Optional) switch# <b>copy running-config startup-config</b>	Copies the running configuration to the startup configuration.

### Example

This example shows how to configure a vPC peer link:

```
switch# configure terminal
switch(config)# interface port-channel 20
switch(config-if)# vpc peer-link
```

## Checking the Configuration Compatibility

After you have configured the vPC peer link on both vPC peer switches, check that the configurations are consistent on all vPC interfaces.

The following QoS parameters support Type 2 consistency checks

- Network QoS—MTU and Pause
- Input Queuing —Bandwidth and Absolute Priority
- Output Queuing—Bandwidth and Absolute Priority

In the case of a Type 2 mismatch, the vPC is not suspended. Type 1 mismatches suspend the vPC.

### SUMMARY STEPS

1. switch# **show vpc consistency-parameters {global|interface port-channelchannel-number}**

### DETAILED STEPS

#### Procedure

	Command or Action	Purpose
<b>Step 1</b>	switch# <b>show vpc consistency-parameters {global interface port-channelchannel-number}</b>	Displays the status of those parameters that must be consistent across all vPC interfaces.

### Example

This example shows how to check that the required configurations are compatible across all the vPC interfaces:

```
switch# show vpc consistency-parameters global
Legend:
      Type 1 : vPC will be suspended in case of mismatch
Name                               Type  Local Value                               Peer Value
-----
QoS                                 2      ([], [], [], [], [], [], [], [], [], [], [])
Network QoS (MTU)                   2      (1538, 0, 0, 0, 0, 0, 0) (1538, 0, 0, 0, 0, 0, 0)
Network QoS (Pause)                 2      (F, F, F, F, F, F) (1538, 0, 0, 0, 0, 0, 0)
Input Queuing (Bandwidth)            2      (100, 0, 0, 0, 0, 0, 0) (100, 0, 0, 0, 0, 0, 0)
Input Queuing (Absolute Priority)    2      (F, F, F, F, F, F) (100, 0, 0, 0, 0, 0, 0)
Output Queuing (Bandwidth)           2      (100, 0, 0, 0, 0, 0, 0) (100, 0, 0, 0, 0, 0, 0)
Output Queuing (Absolute Priority)   2      (F, F, F, F, F, F) (100, 0, 0, 0, 0, 0, 0)
STP Mode                             1      Rapid-PVST Rapid-PVST
STP Disabled                          1      None None
STP MST Region Name                   1      "" ""
STP MST Region Revision               1      0 0
STP MST Region Instance to VLAN Mapping 1
STP Loopguard                         1      Disabled Disabled
STP Bridge Assurance                  1      Enabled Enabled
STP Port Type, Edge                    1      Normal, Disabled, Normal, Disabled,
BPDUFilter, Edge BPDUGuard            Disabled Disabled
STP MST Simulate PVST                 1      Enabled Enabled
Allowed VLANs                         -      1,624 1
Local suspended VLANs                 -      624 -
switch#
```

## Enabling vPC Auto-Recovery

### SUMMARY STEPS

1. switch# **configure terminal**
2. switch(config)# **vpc domain** *domain-id*
3. switch(config-vpc-domain)# **auto-recovery reload-delay** *delay*

### DETAILED STEPS

#### Procedure

	Command or Action	Purpose
Step 1	switch# <b>configure terminal</b>	Enters global configuration mode.

	Command or Action	Purpose
<b>Step 2</b>	switch(config)# <b>vpc domain</b> <i>domain-id</i>	Enters vpc-domain configuration mode for an existing vPC domain.
<b>Step 3</b>	switch(config-vpc-domain)# <b>auto-recovery reload-delay</b> <i>delay</i>	Enables the auto-recovery feature and sets the reload delay period. The default is disabled.

### Example

This example shows how to enable the auto-recovery feature in vPC domain 10 and set the delay period for 240 seconds:

```
switch(config)# vpc domain 10
switch(config-vpc-domain)# auto-recovery reload-delay 240
Warning:
  Enables restoring of vPCs in a peer-detached state after reload, will wait for 240 seconds
  (by default) to determine if peer is un-reachable
```

This example shows how to view the status of the auto-recovery feature in vPC domain 10:

```
switch(config-vpc-domain)# show running-config vpc
!Command: show running-config vpc
!Time: Tue Dec 7 02:38:44 2010

feature vpc
vpc domain 10
  peer-keepalive destination 10.193.51.170
  auto-recovery
```

## Configuring the Restore Time Delay

You can configure a restore timer that delays the vPC from coming back up until after the peer adjacency forms and the VLAN interfaces are back up. This feature avoids packet drops if the routing tables fail to converge before the vPC is once again passing traffic.

### Before you begin

Ensure that you have enabled the vPC feature.

You must configure both switches on either side of the vPC peer link with the following procedures.

### SUMMARY STEPS

1. switch# **configure terminal**
2. switch(config)# **vpc domain** *domain-id*
3. switch(config-vpc-domain)# **delay restore** *time*
4. (Optional) switch# **copy running-config startup-config**

## DETAILED STEPS

## Procedure

	Command or Action	Purpose
<b>Step 1</b>	switch# <b>configure terminal</b>	Enters global configuration mode.
<b>Step 2</b>	switch(config)# <b>vpc domain</b> <i>domain-id</i>	Creates a vPC domain on the switch if it does not already exist, and enters vpc-domain configuration mode.
<b>Step 3</b>	switch(config-vpc-domain)# <b>delay restore</b> <i>time</i>	Configures the time delay before the vPC is restored.  The restore time is the number of seconds to delay bringing up the restored vPC peer device. The range is from 1 to 3600. The default is 30 seconds.
<b>Step 4</b>	(Optional) switch# <b>copy running-config startup-config</b>	Copies the running configuration to the startup configuration.

## Example

This example shows how to configure the delay reload time for a vPC link:

```
switch(config)# vpc domain 1
switch(config-vpc-domain)# delay restore 10
switch(config-vpc-domain)#
```

## Excluding VLAN Interfaces from Shutting Down a vPC Peer Link Fails

When a vPC peer-link is lost, the vPC secondary switch suspends its vPC member ports and its switch virtual interface (SVI) interfaces. All Layer 3 forwarding is disabled for all VLANs on the vPC secondary switch. You can exclude specific SVI interfaces so that they are not suspended.

### Before you begin

Ensure that the VLAN interfaces have been configured.

## SUMMARY STEPS

1. switch# **configure terminal**
2. switch(config)# **vpc domain** *domain-id*
3. switch(config-vpc-domain)# **dual-active exclude interface-vlan** *range*

## DETAILED STEPS

## Procedure

	Command or Action	Purpose
<b>Step 1</b>	switch# <b>configure terminal</b>	Enters global configuration mode.
<b>Step 2</b>	switch(config)# <b>vpc domain</b> <i>domain-id</i>	Creates a vPC domain on the switch if it does not already exist, and enters vpc-domain configuration mode.
<b>Step 3</b>	switch(config-vpc-domain)# <b>dual-active exclude interface-vlan</b> <i>range</i>	Specifies the VLAN interfaces that should remain up when a vPC peer-link is lost.  range—Range of VLAN interfaces that you want to exclude from shutting down. The range is from 1 to 4094.

## Example

This example shows how to keep the interfaces on VLAN 10 up on the vPC peer switch if a peer link fails:

```
switch# configure terminal
switch(config)# vpc domain 5
switch(config-vpc-domain)# dual-active exclude interface-vlan 10
switch(config-vpc-domain)#
```

## Configuring the VRF Name

The switch services, such as ping, ssh, telnet, radius, are VRF aware. You must configure the VRF name in order for the correct routing table to be used.

You can specify the VRF name.

## SUMMARY STEPS

1. switch# **ping** *ipaddress vrf vrf-name*

## DETAILED STEPS

## Procedure

	Command or Action	Purpose
<b>Step 1</b>	switch# <b>ping</b> <i>ipaddress vrf vrf-name</i>	Specifies the virtual routing and forwarding (VRF) name to use. The VRF name is case sensitive and can be a maximum of 32 characters..

### Example

This example shows how to specify the VRF named `vpc_keepalive`:

```

switch# ping 123.1.1.1 vrf vpc_keepalive
PING 123.1.1.1 (123.1.1.1): 56 data bytes
64 bytes from 123.1.1.1: icmp_seq=0 ttl=254 time=3.234 ms
64 bytes from 123.1.1.1: icmp_seq=1 ttl=254 time=4.931 ms
64 bytes from 123.1.1.1: icmp_seq=2 ttl=254 time=4.965 ms
64 bytes from 123.1.1.1: icmp_seq=3 ttl=254 time=4.971 ms
64 bytes from 123.1.1.1: icmp_seq=4 ttl=254 time=4.915 ms

--- 123.1.1.1 ping statistics ---
5 packets transmitted, 5 packets received, 0.00% packet loss
round-trip min/avg/max = 3.234/4.603/4.971 ms

```

## Moving Other Port Channels into a vPC

### Before you begin

Ensure that you have enabled the vPC feature.

You must configure both switches on either side of the vPC peer link with the following procedure.

### SUMMARY STEPS

1. switch# **configure terminal**
2. switch(config)# **interface port-channel** *channel-number*
3. switch(config-if)# **vpc** *number*
4. (Optional) switch# **show vpc brief**
5. (Optional) switch# **copy running-config startup-config**

### DETAILED STEPS

#### Procedure

	Command or Action	Purpose
<b>Step 1</b>	switch# <b>configure terminal</b>	Enters global configuration mode.
<b>Step 2</b>	switch(config)# <b>interface port-channel</b> <i>channel-number</i>	Selects the port channel that you want to put into the vPC to connect to the downstream switch, and enters interface configuration mode.  <b>Note</b> A vPC can be configured on a normal port channel (physical vPC topology) and on a port channel host interface (host interface vPC topology)
<b>Step 3</b>	switch(config-if)# <b>vpc</b> <i>number</i>	Configures the selected port channel into the vPC to connect to the downstream switch. The range is from 1 to 4096.

	Command or Action	Purpose
		The vPC <i>number</i> that you assign to the port channel that connects to the downstream switch from the vPC peer switch must be identical on both vPC peer switches.
<b>Step 4</b>	(Optional) switch# <b>show vpc brief</b>	Displays information about each vPC.
<b>Step 5</b>	(Optional) switch# <b>copy running-config startup-config</b>	Copies the running configuration to the startup configuration.

### Example

This example shows how to configure a port channel that will connect to the downstream device:

```
switch# configure terminal
switch(config)# interface port-channel 20
switch(config-if)# vpc 5
```

## Manually Configuring a vPC Domain MAC Address



**Note** Configuring the system address is an optional configuration step.

### Before you begin

Ensure that you have enabled the vPC feature.

You must configure both switches on either side of the vPC peer link.

### SUMMARY STEPS

1. switch# **configure terminal**
2. switch(config)# **vpc domain** *domain-id*
3. switch(config-vpc-domain)# **system-mac** *mac-address*
4. (Optional) switch# **show vpc role**
5. (Optional) switch# **copy running-config startup-config**

### DETAILED STEPS

#### Procedure

	Command or Action	Purpose
<b>Step 1</b>	switch# <b>configure terminal</b>	Enters global configuration mode.

	Command or Action	Purpose
<b>Step 2</b>	switch(config)# <b>vpc domain</b> <i>domain-id</i>	Selects an existing vPC domain on the switch, or creates a new vPC domain, and enters the vpc-domain configuration mode. There is no default <i>domain-id</i> ; the range is from 1 to 1000.
<b>Step 3</b>	switch(config-vpc-domain)# <b>system-mac</b> <i>mac-address</i>	Enters the MAC address that you want for the specified vPC domain in the following format: aaaa.bbbb.cccc.
<b>Step 4</b>	(Optional) switch# <b>show vpc role</b>	Displays the vPC system MAC address.
<b>Step 5</b>	(Optional) switch# <b>copy running-config startup-config</b>	Copies the running configuration to the startup configuration.

### Example

This example shows how to configure a vPC domain MAC address:

```
switch# configure terminal
switch(config)# vpc domain 5
switch(config-if)# system-mac 23fb.4ab5.4c4e
```

## Manually Configuring the System Priority

When you create a vPC domain, the system automatically creates a vPC system priority. However, you can also manually configure a system priority for the vPC domain.

### Before you begin

Ensure that you have enabled the vPC feature.

You must configure both switches on either side of the vPC peer link.

### SUMMARY STEPS

1. switch# **configure terminal**
2. switch(config)# **vpc domain** *domain-id*
3. switch(config-vpc-domain)# **system-priority** *priority*
4. (Optional) switch# **show vpc brief**
5. (Optional) switch# **copy running-config startup-config**

## DETAILED STEPS

## Procedure

	Command or Action	Purpose
<b>Step 1</b>	switch# <b>configure terminal</b>	Enters global configuration mode.
<b>Step 2</b>	switch(config)# <b>vpc domain</b> <i>domain-id</i>	Selects an existing vPC domain on the switch, or creates a new vPC domain, and enters the vpc-domain configuration mode. There is no default <i>domain-id</i> ; the range is from 1 to 1000.
<b>Step 3</b>	switch(config-vpc-domain)# <b>system-priority</b> <i>priority</i>	Enters the system priority that you want for the specified vPC domain. The range of values is from 1 to 65535. The default value is 32667.
<b>Step 4</b>	(Optional) switch# <b>show vpc brief</b>	Displays information about each vPC, including information about the vPC peer link.
<b>Step 5</b>	(Optional) switch# <b>copy running-config startup-config</b>	Copies the running configuration to the startup configuration.

## Example

This example shows how to configure a vPC peer link:

```
switch# configure terminal
switch(config)# vpc domain 5
switch(config-if)# system-priority 4000
```

## Manually Configuring a vPC Peer Switch Role

By default, the Cisco NX-OS software elects a primary and secondary vPC peer switch after you configure the vPC domain and both sides of the vPC peer link. However, you may want to elect a specific vPC peer switch as the primary switch for the vPC. Then, you would manually configure the role value for the vPC peer switch that you want as the primary switch to be lower than the other vPC peer switch.

vPC does not support role preemption. If the primary vPC peer switch fails, the secondary vPC peer switch takes over to become operationally the vPC primary switch. However, the original operational roles are not restored when the formerly primary vPC comes up again.

### Before you begin

Ensure that you have enabled the vPC feature.

You must configure both switches on either side of the vPC peer link.

**SUMMARY STEPS**

1. switch# **configure terminal**
2. switch(config)# **vpc domain** *domain-id*
3. switch(config-vpc-domain)# **role priority** *priority*
4. (Optional) switch# **show vpc brief**
5. (Optional) switch# **copy running-config startup-config**

**DETAILED STEPS****Procedure**

	<b>Command or Action</b>	<b>Purpose</b>
<b>Step 1</b>	switch# <b>configure terminal</b>	Enters global configuration mode.
<b>Step 2</b>	switch(config)# <b>vpc domain</b> <i>domain-id</i>	Selects an existing vPC domain on the switch, or creates a new vPC domain, and enters the vpc-domain configuration mode. There is no default <i>domain-id</i> ; the range is from 1 to 1000.
<b>Step 3</b>	switch(config-vpc-domain)# <b>role priority</b> <i>priority</i>	Enters the role priority that you want for the vPC system priority. The range of values is from 1 to 65535. The default value is 32667.
<b>Step 4</b>	(Optional) switch# <b>show vpc brief</b>	Displays information about each vPC, including information about the vPC peer link.
<b>Step 5</b>	(Optional) switch# <b>copy running-config startup-config</b>	Copies the running configuration to the startup configuration.

**Example**

This example shows how to configure a vPC peer link:

```
switch# configure terminal
switch(config)# vpc domain 5
switch(config-if)# role priority 4000
```

## Configuring Layer 3 over vPC

**Before you begin**

Ensure that the peer-gateway feature is enabled and it is configured on both the peers and both the peers run an image that supports Layer 3 over vPC. If you enter the **layer3 peer-router** command without enabling the peer-gateway feature, a syslog message is displayed recommending you to enable the peer-gateway feature.

Ensure that the peer link is up.

## SUMMARY STEPS

1. switch# **configure terminal**
2. switch(config)# **vpc domain** *domain-id*
3. switch(config-vpc-domain)#**layer3 peer-router**
4. switch(config-vpc-domain)# **exit**
5. (Optional) switch#**show vpc brief**
6. (Optional) switch#**copy running-config startup-config**

## DETAILED STEPS

Procedure		
	Command or Action	Purpose
<b>Step 1</b>	switch# <b>configure terminal</b>  <b>Example:</b> switch# <b>configure terminal</b> switch(config) #	Enters global configuration mode.
<b>Step 2</b>	switch(config)# <b>vpc domain</b> <i>domain-id</i>  <b>Example:</b> switch(config) # <b>vpc domain</b> 5 switch(config-vpc-domain) #	Creates a vPC domain if it does not already exist, and enters the vpc-domain configuration mode. There is no default; the range is from <1 to 1000>.
<b>Step 3</b>	switch(config-vpc-domain)# <b>layer3 peer-router</b>	Enables the Layer 3 device to form peering adjacency with both the peers.  <b>Note</b> Configure this command in both the peers. If you configure this command only on one of the peers or you disable it on one peer, the operational state of layer 3 peer-router gets disabled. You get a notification when there is a change in the operational state.
<b>Step 4</b>	switch(config-vpc-domain)# <b>exit</b>	Exits the vpc-domain configuration mode.
<b>Step 5</b>	(Optional) switch# <b>show vpc brief</b>	Displays brief information about each vPC domain.
<b>Step 6</b>	(Optional) switch# <b>copy running-config startup-config</b>	Copies the running configuration to the startup configuration.

## Example

The following example shows how to configure Layer 3 over vPC feature:

```
switch# configure terminal
switch(config) # vpc domain 5
switch(config-vpc-domain) # layer3 peer-router

switch(config-vpc-domain) # exit
```

```
switch(config)#
```

This example shows how to verify if the Layer 3 over vPC feature is configured. The **Operational Layer3 Peer** is enabled or disabled depending up on how the operational state of Layer 3 over vPC is configured.

```
switch# show vpc brief
```

```
vPC domain id : 5
Peer status : peer adjacency formed ok
vPC keep-alive status : peer is alive
Configuration consistency status : success
Per-vlan consistency status : failed
Type-2 consistency status : success
vPC role : secondary
Number of vPCs configured : 2
Peer Gateway : Enabled
Peer gateway excluded VLANs : -
Dual-active excluded VLANs : -
Graceful Consistency Check : Enabled
Auto-recovery status : Enabled (timeout = 240 seconds)
Operational Layer3 Peer : Enabled
```





## INDEX

### A

- adding ports [95](#)
  - port channels [95](#)

### B

- bandwidth [25, 70](#)
  - configuring [70](#)

### C

- channel mode [98](#)
  - port channels [98](#)
- channel modes [91](#)
  - port channels [91](#)
- clear counters interface [48–49](#)
- configuration [81](#)
  - Layer 3 interfaces [81](#)
    - verifying [81](#)
- configuration examples [83](#)
  - Layer 3 interfaces [83](#)
- configuring [68–71, 73, 102, 104](#)
  - interface bandwidth [70](#)
  - LACP fast timer rate [102](#)
  - LACP port priority [104](#)
  - loopback interfaces [73](#)
  - routed interfaces [68](#)
  - subinterfaces [69](#)
  - VLAN interfaces [71](#)
- Configuring a DHCP client on an interface [80](#)
- configuring LACP [97](#)
- copy [14](#)

### D

- debounce timer [56](#)
  - parameters [56](#)
- default interface [56](#)
- default settings [68](#)
  - Layer 3 interfaces [68](#)
- delay [26–27](#)
- delay restore [129](#)
- description [15–16](#)

- disabling [139](#)
  - vPCs [139](#)
- downlink delay [58](#)

### E

- errdisable detect cause [6, 19–20](#)
  - errdisable detect cause acl-exception [19–20](#)
  - errdisable detect cause all [19–20](#)
  - errdisable detect cause link-flap [19–20](#)
  - errdisable detect cause loopback [19–20](#)
- errdisable recovery cause [6, 18–19](#)
  - errdisable recovery cause all [18–19](#)
  - errdisable recovery cause bpdguard [18–19](#)
  - errdisable recovery cause failed-port-state [18–19](#)
  - errdisable recovery cause link-flap [18–19](#)
  - errdisable recovery cause loopback [18–19](#)
  - errdisable recovery cause miscabling [18–19](#)
  - errdisable recovery cause psecure-violation [18–19](#)
  - errdisable recovery cause security-violation [18–19](#)
  - errdisable recovery cause storm-control [18–19](#)
  - errdisable recovery cause udd [18–19](#)
  - errdisable recovery cause vpc-peerlink [18–19](#)
- errdisable recovery interval [6, 21](#)
- ethernet [15](#)
  - Ethernet interfaces [53](#)
    - interface speed [53](#)

### F

- feature eigrp [27](#)

### I

- interface [15, 24, 28](#)
  - interface ether [47](#)
  - interface ethernet [17, 25–26, 30–31, 33](#)
  - interface information, displaying [59](#)
    - layer 2 [59](#)
  - interface MAC address, configuring [76](#)
  - interface port-channel [101, 105–106](#)
  - interface speed [53](#)
    - Ethernet interfaces [53](#)

interfaces [51–52](#), [63](#), [65](#), [67](#), [70–71](#), [73](#), [75](#), [82–83](#)

  assigning to a VRF [75](#)

  chassis ID [51](#)

  configuring bandwidth [70](#)

  Layer 3 [63](#), [82–83](#)

    configuration examples [83](#)

    monitoring [82](#)

  loopback [67](#), [73](#)

  options [51](#)

  routed [63](#)

  tunnel [67](#)

  UDLD [52](#)

  VLAN [65](#), [71](#)

    configuring [71](#)

interfaces-vlan [129](#)

## L

LACP [86](#), [90–93](#), [97](#), [99](#)

  configuring [97](#)

  marker responders [92](#)

  port channel, minlinks [93](#), [99](#)

  port channels [90](#)

  system ID [91](#)

LACP fast timer rate [102](#)

  configuring [102](#)

lACP graceful-convergence [106](#)

lACP max-bundle [101](#)

LACP port priority [104](#)

  configuring [104](#)

LACP-enabled vs static [92](#)

  port channels [92](#)

layer 2 [54](#), [59](#)

  interface information, displaying [59](#)

  svi autostate [54](#)

Layer 3 interfaces [63](#), [68](#), [81–84](#)

  configuration examples [83](#)

  configuring routed interfaces [68](#)

  default settings [68](#)

  interfaces [84](#)

    Layer 3 [84](#)

      related documents [84](#)

  monitoring [82](#)

  related documents [84](#)

  verifying [81](#)

Link Aggregation Control Protocol [86](#)

link debounce time [33](#)

load balancing [96](#)

  port channels [96](#)

    configuring [96](#)

load-interval counters [47–48](#)

loopback interfaces [67](#), [73](#)

  configuring [73](#)

## M

mgmt0 [15](#)

monitoring [82](#)

  Layer 3 interfaces [82](#)

mtu [24](#)

## N

negotiate auto [12](#), [44–46](#)

negotiate auto 25000 [44](#)

## P

parameters, about [56](#)

  debounce timer [56](#)

physical Ethernet settings [58](#)

port channel [107](#)

  verifying configuration [107](#)

port channel, minlinks [93](#), [99](#)

  LACP [93](#), [99](#)

port channeling [86](#)

port channels [70](#), [85–86](#), [88](#), [90](#), [92](#), [94–96](#), [98](#), [149](#)

  adding ports [95](#)

  channel mode [98](#)

  compatibility requirements [86](#)

  configuring bandwidth [70](#)

  creating [94](#)

  LACP [90](#)

  LACP-enabled vs static [92](#)

  load balancing [88](#), [96](#)

    port channels [88](#)

  moving into a vPC [149](#)

  STP [85](#)

## R

related documents [84](#)

  Layer 3 interfaces [84](#)

routed interfaces [63](#), [68](#), [70](#)

  configuring [68](#)

  configuring bandwidth [70](#)

## S

SFP+ transceiver [53](#)

show cdp all [46](#)

show interface [15–16](#), [28–29](#), [42–43](#), [46–49](#)

show interface brief [46](#)

show interface eth [16](#)

show interface ethernet [17](#), [25–27](#)

show interface status err-disabled [6](#), [18–21](#), [47](#)

show interface transceivers [12](#)

show running-config interface port-channel [101–102](#)

show uddl [30–31](#), [47](#)

- show udd global [47](#)
- shutdown [6, 19–20, 28, 105–106](#)
- Small form-factor pluggable (plus) transceiver [53](#)
- speed auto [12](#)
- STP [85](#)
  - port channel [85](#)
- subinterfaces [64, 69–70](#)
  - configuring [69](#)
  - configuring bandwidth [70](#)
- svi autostate [54](#)
  - layer 2 [54](#)
- SVI autostate disable [68](#)
- SVI autostate disable, configuring [79](#)
- switchport [12](#)
- symmetric hashing [89](#)
- system jumbomtu [24](#)

## T

- tunnel interfaces [67](#)

## U

- udld [30–31](#)
- UDLD [52–53](#)
  - aggressive mode [53](#)
  - defined [52](#)
  - nonaggressive mode [53](#)
- udld aggressive [30–31](#)
- udld message-time [30–31](#)
- Unidirectional Link Detection [52](#)

## V

- verifying [81](#)
  - Layer 3 interface configuration [81](#)
- VLAN [65](#)
  - interfaces [65](#)
- VLAN interfaces [71](#)
  - configuring [71](#)
- vPC terminology [121](#)
- vPCs [149](#)
  - moving port channels into [149](#)
- VRF [75](#)
  - assigning an interface to [75](#)

