



Configuring Advanced BGP

This chapter describes how to configure advanced features of the Border Gateway Protocol (BGP) on Cisco NX-OS switches.

This chapter includes the following sections:

- [Information About Advanced BGP, on page 1](#)
- [Prerequisites for Advanced BGP, on page 9](#)
- [Guidelines and Limitations for Advanced BGP, on page 10](#)
- [Default Settings for BGP, on page 12](#)
- [Configuring Advanced BGP, on page 13](#)
- [Configuration Examples for BFD for BGP, on page 39](#)
- [Configuring BGP Attribute Filtering and Error Handling, on page 39](#)
- [Configuring an Autonomous System Path Containing Your Own Autonomous System, on page 42](#)
- [BGP Graceful Shutdown, on page 56](#)
- [Configuring a Graceful Restart, on page 67](#)
- [Verifying the Advanced BGP Configuration, on page 70](#)
- [Displaying BGP Statistics, on page 71](#)
- [Related Topics, on page 71](#)
- [Additional References, on page 72](#)

Information About Advanced BGP

BGP is an interdomain routing protocol that provides loop-free routing between organizations or autonomous systems. Cisco NX-OS supports BGP version 4. BGP version 4 includes multiprotocol extensions that allow BGP to carry routing information for IP routes and multiple Layer 3 protocol address families. BGP uses TCP as a reliable transport protocol to create TCP sessions with other BGP-enabled switches called BGP peers. When connecting to an external organization, the router creates external BGP (eBGP) peering sessions. BGP peers within the same organization exchange routing information through internal BGP (iBGP) peering sessions.

Peer Templates

BGP peer templates allow you to create blocks of common configurations that you can reuse across similar BGP peers. Each block allows you to define a set of attributes that a peer then inherits. You can choose to

override some of the inherited attributes as well, making it a very flexible scheme for simplifying the repetitive nature of BGP configurations.

Cisco NX-OS implements three types of peer templates:

- The **peer-session** template defines BGP peer session attributes, such as the transport details, remote autonomous system number of the peer, and session timers. A peer-session template can also inherit attributes from another peer-session template (with locally defined attributes that override the attributes from an inherited peer-session).
- A **peer-policy** template defines the address-family dependent policy aspects for a peer including the inbound and outbound policy, filter-lists, and prefix-lists. A peer-policy template can inherit from a set of peer-policy templates. Cisco NX-OS evaluates these peer-policy templates in the order specified by the preference value in the inherit configuration. The lowest number is preferred over higher numbers.
- The **peer** template can inherit the peer-session and peer-policy templates to allow for simplified peer definitions. It is not mandatory to use a peer template but it can simplify the BGP configuration by providing reusable blocks of configuration.

Authentication

You can configure authentication for a BGP neighbor session. This authentication method adds an MD5 authentication digest to each TCP segment sent to the neighbor to protect BGP against unauthorized messages and TCP security attacks.



Note The MD5 password must be identical between BGP peers.

Route Policies and Resetting BGP Sessions

You can associate a route policy to a BGP peer. Route policies use route maps to control or modify the routes that BGP recognizes. You can configure a route policy for inbound or outbound route updates. The route policies can match on different criteria, such as a prefix or AS_path attribute, and selectively accept or deny the routes. Route policies can also modify the path attributes.

When you change a route policy applied to a BGP peer, you must reset the BGP sessions for that peer. Cisco NX-OS supports the following three mechanisms to reset BGP peering sessions:

- **Hard reset**—A hard reset tears down the specified peering sessions, including the TCP connection, and deletes routes coming from the specified peer. This option interrupts packet flow through the BGP network. Hard reset is disabled by default.
- **Soft reconfiguration inbound**—A soft reconfiguration inbound triggers routing updates for the specified peer without resetting the session. You can use this option if you change an inbound route policy. Soft reconfiguration inbound saves a copy of all routes received from the peer before processing the routes through the inbound route policy. If you change the inbound route policy, Cisco NX-OS passes these stored routes through the modified inbound route policy to update the route table without tearing down existing peering sessions. Soft reconfiguration inbound can use significant memory resources to store the unfiltered BGP routes. Soft reconfiguration inbound is disabled by default.
- **Route Refresh**—A route refresh updates the inbound routing tables dynamically by sending route refresh requests to supporting peers when you change an inbound route policy. The remote BGP peer responds

with a new copy of its routes that the local BGP speaker processes with the modified route policy. Cisco NX-OS automatically sends an outbound route refresh of prefixes to the peer.

- BGP peers advertise the route refresh capability as part of the BGP capability negotiation when establishing the BGP peer session. Route refresh is the preferred option and enabled by default.



Note BGP also uses route maps for route redistribution, route aggregation, route dampening, and other features. See [Configuring Route Policy Manager](#) for more information on route maps.

eBGP

External BGP (eBGP) allows you to connect BGP peers from different autonomous systems to exchange routing updates. Connecting to external networks enables traffic from your network to be forwarded to other networks and across the Internet.

You should use loopback interfaces for establishing eBGP peering sessions because loopback interfaces are less susceptible to interface flapping. An interface flap occurs when the interface is administratively brought up or down because of a failure or maintenance issue. See the [Configuring eBGP](#) section for information on multihop, fast external failovers, and limiting the size of the AS-path attribute.

eBGP Next-Hop Unchanged

In an external BGP (eBGP) session, by default, the device changes the next-hop attribute of a BGP route (to its own address) when the device sends out a route. If the eBGP Next-Hop Unchanged feature is configured, BGP sends routes to an eBGP multihop peer without modifying the next-hop attribute. The next-hop attribute is unchanged. The BGP Next-hop Unchanged feature provides flexibility when designing and migrating networks. It can be used only between eBGP peers configured as multihop.

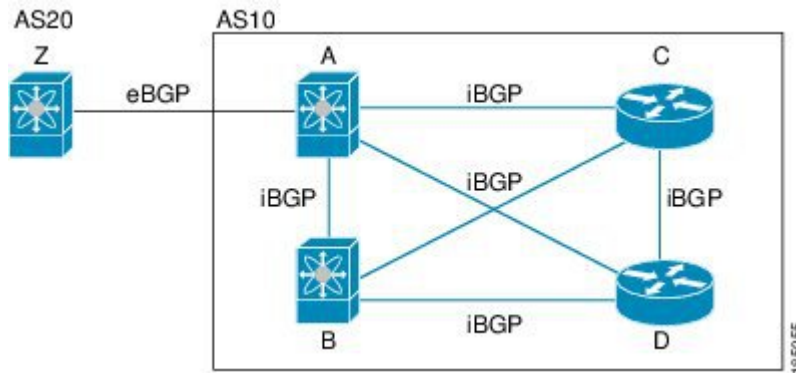
For example, consider a network with eBGP connection between Devices A, B, and C. Suppose Device A announces 100 prefixes to Device B. Device B is configured with an outbound route map to Device C and the match ip prefix list and set ip next-hop unchanged are configured on the route map. Device B propagates the unchanged next-hop address only for the routes that match the prefix list. For the other prefixes, it puts itself as the next-hop address.

iBGP

Internal BGP (iBGP) allows you to connect BGP peers within the same autonomous system. You can use iBGP for multihomed BGP networks (networks that have more than one connection to the same external autonomous system).

The following figure shows an iBGP network within a larger BGP network.

Figure 1: iBGP Network



iBGP networks are fully meshed. Each iBGP peer has a direct connection to all other iBGP peers to prevent network loops.



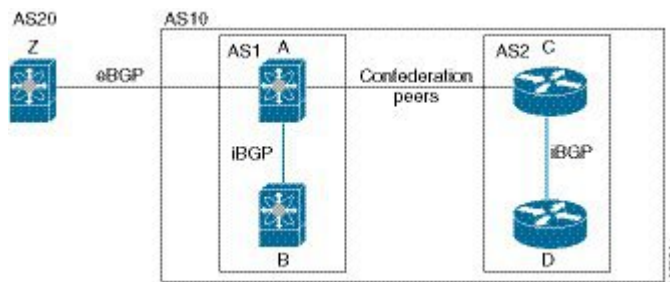
Note You should configure a separate interior gateway protocol in the iBGP network.

AS Confederations

A fully meshed iBGP network becomes complex as the number of iBGP peers grows. You can reduce the iBGP mesh by dividing the autonomous system into multiple subautonomous systems and grouping them into a single confederation. A confederation is a group of iBGP peers that use the same autonomous system number to communicate to external networks. Each subautonomous system is fully meshed within itself and has a few connections to other subautonomous systems in the same confederation.

The following figure shows the BGP network from Figure below, split into two subautonomous systems and one confederation.

Figure 2: AS Confederation



In this example, AS10 is split into two subautonomous systems, AS1 and AS2. Each subautonomous system is fully meshed, but there is only one link between the subautonomous systems. By using AS confederations, you can reduce the number of links compared to the fully meshed autonomous system in Figure **AS Confederation**.

Route Reflector

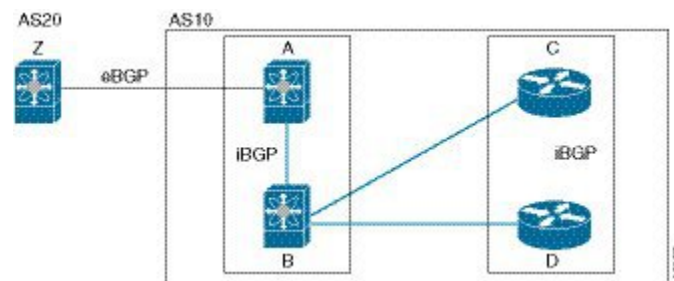
You can alternately reduce the iBGP mesh by using a route reflector configuration. Route reflectors pass learned routes to neighbors so that all iBGP peers do not need to be fully meshed.

Figure **iBGP Network** shows a simple iBGP configuration with four meshed iBGP speakers (router A, B, C, and D). Without route reflectors, when router A receives a route from an external neighbor, it advertises the route to all three iBGP neighbors.

When you configure an iBGP peer to be a route reflector, it becomes responsible for passing iBGP learned routes to a set of iBGP neighbors.

In the following figure, router B is the route reflector. When the route reflector receives routes advertised from router A, it advertises (reflects) the routes to routers C and D. Router A no longer has to advertise to both routers C and D.

Figure 3: Route Reflector



The route reflector and its client peers form a cluster. You do not have to configure all iBGP peers to act as client peers of the route reflector. You must configure any nonclient peer as fully meshed to guarantee that complete BGP updates reach all peers.

Capabilities Negotiation

A BGP speaker can learn about BGP extensions supported by a peer by using the capabilities negotiation feature. Capabilities negotiation allows BGP to use only the set of features supported by both BGP peers on a link.

If a BGP peer does not support capabilities negotiation, Cisco NX-OS will attempt a new session to the peer without capabilities negotiation if you have configured the address family as IPv4.

Route Dampening

Route dampening is a BGP feature that minimizes the propagation of flapping routes across an internetwork. A route flaps when it alternates between the available and unavailable states in rapid succession.

For example, consider a network with three BGP autonomous systems: AS1, AS2, and AS3. Suppose that a route in AS1 flaps (it becomes unavailable). Without route dampening, AS1 sends a withdraw message to AS2. AS2 propagates the withdrawal message to AS3. When the flapping route reappears, AS1 sends an advertisement message to AS2, which sends the advertisement to AS3. If the route repeatedly becomes unavailable, and then available, AS1 sends many withdrawal and advertisement messages that propagate through the other autonomous systems.

Route dampening can minimize flapping. Suppose that the route flaps. AS2 (in which route dampening is enabled) assigns the route a penalty of 1000. AS2 continues to advertise the status of the route to neighbors. Each time that the route flaps, AS2 adds to the penalty value. When the route flaps so often that the penalty exceeds a configurable suppression limit, AS2 stops advertising the route, regardless of how many times that it flaps. The route is now dampened.

The penalty placed on the route decays until the reuse limit is reached. At that time, AS2 advertises the route again. When the reuse limit is at 50 percent, AS2 removes the dampening information for the route.



Note The router does not apply a penalty to a resetting BGP peer when route dampening is enabled, even though the peer reset withdraws the route.

Load Sharing and Multipath

BGP can install multiple equal-cost eBGP or iBGP paths into the routing table to reach the same destination prefix. Traffic to the destination prefix is then shared across all the installed paths.

The BGP best-path algorithm considers the paths as equal-cost paths if the following attributes are identical:

- Weight
- Local preference
- AS_path
- Origin code
- Multi-exit discriminator (MED)
- IGP cost to the BGP next hop

BGP selects only one of these multiple paths as the best path and advertises the path to the BGP peers.



Note Paths received from different AS confederations are considered as equal-cost paths if the external AS_path values and the other attributes are identical.



Note When you configure a route reflector for iBGP multipath, and the route reflector advertises the selected best path to its peers, the next hop for the path is not modified.

Route Aggregation

You can configure aggregate addresses. Route aggregation simplifies route tables by replacing a number of more specific addresses with an address that represents all the specific addresses. For example, you can replace these three more specific addresses, 10.1.1.0/24, 10.1.2.0/24, and 10.1.3.0/24 with one aggregate address, 10.1.0.0/16.

Aggregate prefixes are present in the BGP route table so that fewer routes are advertised.



Note Cisco NX-OS does not support automatic route aggregation.

Route aggregation can lead to forwarding loops. To avoid this problem, when BGP generates an advertisement for an aggregate address, it automatically installs a summary discard route for that aggregate address in the local routing table. BGP sets the administrative distance of the summary discard to 220 and sets the route type to discard. BGP does not use discard routes for next-hop resolution.

BGP Conditional Advertisement

BGP conditional advertisement allows you to configure BGP to advertise or withdraw a route based on whether or not a prefix exists in the BGP table. This feature is useful, for example, in multihomed networks, in which you want BGP to advertise some prefixes to one of the providers only if information from the other provider is not present.

Consider an example network with three BGP autonomous systems: AS1, AS2, and AS3, where AS1 and AS3 connect to the Internet and to AS2. Without conditional advertisement, AS2 propagates all routes to both AS1 and AS3. With conditional advertisement, you can configure AS2 to advertise certain routes to AS3 only if routes from AS1 do not exist (if for example, the link to AS1 fails).

BGP conditional advertisement adds an exist or not-exist test to each route that matches the configured route map. See the [Configuring BGP Conditional Advertisement](#) section for more information.

BGP Next-Hop Address Tracking

BGP monitors the next-hop address of installed routes to verify next-hop reachability and to select, install, and validate the BGP best path. BGP next-hop address tracking speeds up this next-hop reachability test by triggering the verification process when routes change in the RIB that may affect BGP next-hop reachability.

BGP receives notifications from the RIB when next-hop information changes (event-driven notifications). BGP is notified when any of the following events occurs:

- Next hop becomes unreachable.
- Next hop becomes reachable.
- Fully recursed IGP metric to the next hop changes.
- First hop IP address or first hop interface changes.
- Next hop becomes connected.
- Next hop becomes unconnected.
- Next hop becomes a local address.
- Next hop becomes a nonlocal address.



Note Reachability and recursed metric events trigger a best-path recalculation.

Event notifications from the RIB are classified as critical and noncritical. Notifications for critical and noncritical events are sent in separate batches. However, a noncritical event is sent with the critical events if the noncritical event is pending and there is a request to read the critical events.

- Critical events are related to the reachability (reachable and unreachable), connectivity (connected and unconnected), and locality (local and nonlocal) of the next hops. Notifications for these events are not delayed.
- Noncritical events include only the IGP metric changes.

See the [Configuring BGP Next-Hop Address Tracking](#) section for more information.

Site of Origin

The site of origin prevents routing loops when you have a multihomed VPN site. Routes learned from the same site are tagged with the same site-of-origin value that is configured at the PE on all the PE-CE links to the same site. Routes with a particular site-of-origin value are never readvertised back to a CE with the same site-of-origin value configured at the PE-CE link. This process prevents a CE router from relearning routes that originated from the same site. BGP and EIGRP use site of origin to prevent loops.

You can override the autonomous system number (ASN) of a site with the ASN of the provider. This feature is often used with the site of origin to identify the site where a route originated and prevent routing loops between routers within a VPN.

Route Redistribution

You can configure BGP to redistribute static routes or routes from other protocols. You configure a route policy with the redistribution to control which routes are passed into BGP. A route policy allows you to filter routes based on attributes such as the destination, origination protocol, route type, route tag, and so on. See [Configuring Route Policy Manager](#), for more information.

BFD

This feature supports bidirectional forwarding detection (BFD). BFD is a detection protocol designed to provide fast forwarding-path failure detection times. BFD provides subsecond failure detection between two adjacent devices and can be less CPU-intensive than protocol hello messages because some of the BFD load can be distributed onto the data plane on supported modules.

BFD for BGP is supported on eBGP single-hop peers and iBGP single-hop peers. For iBGP single-hop peers using BFD, you must configure the update-source option in neighbor configuration mode. BFD is not supported on other iBGP peers or for multihop eBGP peers.

BFD is supported for the following types of interfaces:

- Layer 3 physical and subinterface
- Layer 3 port channel and subinterface
- Switch virtual interface (SVI)

BFD for BGP does not support authentication or per-link BFD sessions on a port channel.

Beginning with Cisco NX-OS Release 9.3(3), BFD for BGP is also supported for BGP IPv4 and IPv6 prefix peers. This support enables BGP to use multihop BFD, which improves BGP convergence times. Both single-hop and multihop BGP are supported for prefix peers.

See [Configuring Bidirectional Forwarding Detection](#) for more information.

Tuning BGP

You can modify the default behavior of BGP through BGP timers and by adjusting the best-path algorithm.

BGP Timers

BGP uses different types of timers for neighbor session and global protocol events. Each established session has a minimum of two timers for sending periodic keepalive messages and for timing out sessions when peer keepalives do not arrive within the expected time. In addition, there are other timers for handling specific features. Typically, you configure these timers in seconds. The timers include a random adjustment so that the same timers on different BGP peers trigger at different times.

Tuning the Best-Path Algorithm

You can modify the default behavior of the best-path algorithm through optional configuration parameters, including changing how the algorithm handles the multi-exit discriminator attribute and the router ID.

Multiprotocol BGP

BGP on Cisco NX-OS supports multiple address families. Multiprotocol BGP (MP-BGP) carries different sets of routes depending on the address family. For example, BGP can carry one set of routes for IPv4 unicast routing and one set of routes for IPv4 multicast routing. You can use MP-BGP for reverse-path forwarding (RPF) checks in IP multicast networks.



Note Because Multicast BGP does not propagate multicast state information, you need a multicast protocol, such as Protocol Independent Multicast (PIM).

Use the router address-family and neighbor address-family configuration modes to support multiprotocol BGP configurations. MP-BGP maintains separate RIBs for each configured address family, such as a unicast RIB and a multicast RIB for BGP.

A multiprotocol BGP network is backward compatible but BGP peers that do not support multiprotocol extensions cannot forward routing information, such as address family identifier information, that the multiprotocol extensions carry.

RFC 5549

Beginning with Cisco NX-OS Release 9.2(2), BGP supports RFC 5549, which allows an IPv4 prefix to be carried over an IPv6 next hop. Because BGP is running on every hop, and all routers are capable of forwarding IPv4 and IPv6 traffic, there is no need to support IPv6 tunnels between any routers. BGP installs IPv4 over an IPv6 route to the Unicast Route Information Base (URIB)

Prerequisites for Advanced BGP

BGP has the following prerequisites:

- You must enable the BGP feature (see the [Enabling the BGP Feature](#) section).
- You should have a valid router ID configured on the system.

- You must have an AS number, either assigned by a Regional Internet Registry (RIR) or locally administered.
- You must have reachability (such as an interior gateway protocol (IGP), a static route, or a direct connection) to the peer that you are trying to make a neighbor relationship with.
- You must explicitly configure an address family under a neighbor for the BGP session establishment.

Guidelines and Limitations for Advanced BGP

BGP has the following configuration guidelines and limitations:

- Prefix peering operates only in passive TCP mode. It accepts incoming connections from remote peers if the peer address falls within the prefix.
- The dynamic AS number prefix peer configuration overrides the individual AS number configuration inherited from a BGP template.
- If you configure a dynamic AS number for prefix peers in an AS confederation, BGP establishes sessions with only the AS numbers in the local confederation.
- BGP sessions created through a dynamic AS number prefix peer ignore any configured eBGP multihop time-to-live (TTL) value or a disabled check for directly connected peers.
- Configure a router ID for BGP to avoid automatic router ID changes and session flaps.
- Use the maximum-prefix configuration option per peer to restrict the number of routes received and system resources used.
- Configure the update-source to establish a session with eBGP multihop sessions.
- Specify a BGP route map if you configure redistribution.
- Configure the BGP router ID within a VRF.
- If you decrease the keepalive and hold timer values, the network might experience session flaps.
- The following guidelines and limitations apply to the remove-private-as command.
 - If the local AS number of the device is a private AS number, you cannot use the remove-private-as configuration command for any other neighbor on the same device. As a workaround, you can use the local-as command on each neighbor with a public local AS number.
 - If the real AS number of the device is a private AS number and the remove-private-as all command is configured for a neighbor with a public local-as number, use local-as number [no-prepend [replace-as]] command to ensure that the real private AS number is not appended to the AS path.
 - If the real AS number of the device is a public AS number and the remove-private-as all command is configured for a neighbor, you cannot configure a private local-as number for the same neighbor. As a workaround, you must remove the existing configuration to proceed further.
 - The remove-private-as all command removes private AS numbers from the AS path even if the path contains both public and private AS numbers.
 - The remove-private-as command removes private AS numbers even if the AS path contains only private AS numbers. There is no likelihood of a 0-length AS path because this command can be

applied to eBGP peers only, in which case the AS number of the local device is appended to the AS path.

- The `remove-private-as` command removes private AS numbers even if the private AS numbers appear before the confederation segments in the AS path.
- When you remove private AS numbers from the AS path, the path length of the prefixes that are sent out will decrease. Because the AS path length is a key element of BGP best-path selection, it might be necessary to retain the path length. The `replace-as` keyword ensures that the path length is retained by replacing all removed AS numbers with the local router's AS number.
- Beginning with Cisco NX-OS Release 9.3(3), BFD for BGP is supported for BGP IPv4 and IPv6 prefix peers.
- Beginning with Cisco NX-OS Release 9.3(3), BGP prefix peers support graceful restarts. You can use the **`timers prefix-peer-timeout`** command in router configuration mode to configure the timeout value (in seconds) for BGP prefix peers. The default value is 90 seconds.
- The following guidelines and limitations apply to BGP Interface Peering via IPv6 Link-Local for IPv4 and IPv6 Address Families:
 - This feature does not support having the same link-local address configured across multiple interfaces.
 - This feature is not supported on logical interfaces (loopback). Only Ethernet interfaces, port-channel interfaces, subinterfaces, and breakout interfaces are supported.
 - Beginning with Cisco NX-OS Release 9.3(6), VLAN interfaces are supported.
 - This feature is supported only for IPv6-enabled interfaces with link-local addresses.
 - This feature is not supported when the configured prefix peer and interface have the same remote peer.
 - The following commands are not supported in neighbor interface configuration mode:
 - **`disable-connected-check`**
 - **`maximum-peers`**
 - **`update-source`**
 - **`ebgp-multihop`**
 - BFD multihop and the following commands are not supported for BGP Interface Peering via IPv6 Link-Local for IPv4 and IPv6 Address Families:
 - **`bfd-multihop`**
 - **`bfd multihop interval`**
 - **`bfd multihop authentication`**
- BGP requires faster convergence time for route advertisements. To speed up detection of the Route Advertisement (RA) link-level protocol, enter the following commands on each IPv6-enabled interface that is using BGP Interface Peering via IPv6 Link-Local for IPv4 and IPv6 Address Families:

```
interface Ethernet port/slot
ipv6 nd ra-interval 4 min 3
ipv6 nd ra-lifetime 10
```

- Beginning with Cisco NX-OS Release 10.3(3)F, Type-6 encryption for BGP password is supported on Cisco NX-OS switches with the following limitations:
 - If Type-6 encryption is configured, you won't be able to modify the existing Type-6 encrypted password to Type-0/Type-3/Type-7 password.
 - If you downgrade the system by cold reboot with an old image where Type-6 encryption is not supported, ensure to remove the Type-6 configuration and then proceed with cold reboot. Otherwise there will be configuration loss, the results are such that there is no configuration for the neighbor.
 - Primary key configuration is local to the switch. If you take the Type-6 configured running data from one switch and try to apply it on other switch where different primary key is configured, decryption on the new switch will fail.
 - During ISSU, if you migrate from old image (where Type-0/Type-3/Type-7 encrypted keys are there in the configuration) to new image (where Type-6 encryption is supported), BGP won't convert the existing keys to Type-6 encrypted one until or unless reencryption is enforced using the **encryption re-encrypt obfuscated** command.
 - BGP Type-6 passwords will not be supported in non-DME platforms.
 - It is highly recommended for user to specify the password type and password when programmatically (RESTCONF, NETCONF and so on) configuring a neighbor or template's password. When either one of the property is missing in the programmatic call, BGP will use already available (or default) value of the missing property to configure the neighbor or template's password.
- If the user has to configure with a property missing then the user has to follow the same sequence of steps in both peer routers.

Default Settings for BGP

Table below lists the default settings for BGP parameters.

Table 1: Default BGP Parameters

Parameters	Default
BGP feature	disabled
keep alive interval	60 seconds
hold timer	180 seconds

Configuring Advanced BGP



Note If you are familiar with the Cisco IOS CLI, be aware that the Cisco NX-OS commands for this feature might differ from the Cisco IOS commands that you would use.

Enabling IP Forward on an Interface

To use RFC 5549, you must configure at least one IPv4 address. If you do not want to configure an IPv4 address, you must enable the ip forward feature to use RFC 5549.

SUMMARY STEPS

1. **configure terminal**
2. **interface** *type slot/port*
3. **ip forward**

DETAILED STEPS

	Command or Action	Purpose
Step 1	configure terminal Example: <pre>switch# configure terminal switch(config)#</pre>	Enters global configuration mode.
Step 2	interface <i>type slot/port</i> Example: <pre>switch(config)# interface ethernet 1/2 switch(config-if)#</pre>	Enters interface configuration mode.
Step 3	ip forward Example: <pre>switch(config-if)# ip forward switch(config-if)#</pre>	Allows IPv4 traffic on the interface even when there is no IP address configuration on that interface.

Example

This example shows how to enable the ip forward feature on an interface:

```
switch# configure terminal
switch(config)# interface ethernet 1/2
switch(config-if)# ip forward
```

Configuring BGP Session Templates

You can use BGP session templates to simplify BGP configuration for multiple BGP peers with similar configuration needs. BGP templates allow you to reuse common configuration blocks. You configure BGP templates first, and then apply these templates to BGP peers.

With BGP session templates, you can configure session attributes such as inheritance, passwords, timers, and security.

A peer-session template can inherit from one other peer-session template. You can configure the second template to inherit from a third template. The first template also inherits this third template. This indirect inheritance can continue for up to seven peer-session templates.

Any attributes configured for the neighbor take priority over any attributes inherited by that neighbor from a BGP template.

Before you begin

Ensure that you have enabled the BGP feature (see the [Enabling the BGP Feature](#) section).

When editing a template, you can use the **no** form of a command at either the peer or template level to explicitly override a setting in a template. You must use the **default** form of the command to reset that attribute to the default state.

SUMMARY STEPS

1. **configure terminal**
2. **router bgp** *autonomous-system-number*
3. **template peer-session** *template-name*
4. (Optional) **password** *number password*
5. (Optional) **timers** *keepalive hold*
6. **exit**
7. **neighbor** *ip-address* **remote-as** *as-number*
8. **inherit peer-session** *template-name*
9. (Optional) **description** *text*
10. (Optional) **show bgp peer-session** *template-name*
11. (Optional) copy running-config startup-config

DETAILED STEPS

	Command or Action	Purpose
Step 1	configure terminal Example: <pre>switch# configure terminal switch(config)#</pre>	Enters global configuration mode.
Step 2	router bgp <i>autonomous-system-number</i> Example: <pre>switch(config)# router bgp 65536 switch(config-router)#</pre>	Enables BGP and assigns the autonomous system number to the local BGP speaker.

	Command or Action	Purpose
Step 3	template peer-session <i>template-name</i> Example: <pre>switch(config-router)# template peer-session BaseSession switch(config-router-stmp)#</pre>	Enters peer-session template configuration mode.
Step 4	(Optional) password <i>number password</i> Example: <pre>switch(config-router-stmp)# password 0 test</pre>	Adds the cleartext password <i>test</i> to the neighbor. The password is stored and displayed in type 3 encrypted form (3DES).
Step 5	(Optional) timers <i>keepalive hold</i> Example: <pre>switch(config-router-stmp)# timers 30 90</pre>	Adds the BGP keepalive and holdtimer values to the peer-session template. The default keepalive interval is 60. The default hold time is 180.
Step 6	exit Example: <pre>switch(config-router-stmp)# exit switch(config-router)#</pre>	Exits peer-session template configuration mode.
Step 7	neighbor <i>ip-address remote-as as-number</i> Example: <pre>switch(config-router)# neighbor 192.168.1.2 remote-as 65536 switch(config-router-neighbor)#</pre>	Places the router in the neighbor configuration mode for BGP routing and configures the neighbor IP address.
Step 8	inherit peer-session <i>template-name</i> Example: <pre>switch(config-router-neighbor)# inherit peer-session BaseSession switch(config-router-neighbor)</pre>	Applies a peer-session template to the peer.
Step 9	(Optional) description <i>text</i> Example: <pre>switch(config-router-neighbor)# description Peer Router A switch(config-router-neighbor)</pre>	Adds a description for the neighbor.
Step 10	(Optional) show bgp peer-session <i>template-name</i> Example: <pre>switch(config-router-neighbor)# show bgp peer-session BaseSession</pre>	Displays the peer-policy template.
Step 11	(Optional) copy running-config startup-config Example: <pre>switch(config-router-neighbor)# copy running-config startup-config</pre>	Saves this configuration change.

Example

Use the **show bgp neighbor** command to see the template applied. See the [Cisco Nexus 3000 Series Command Reference](#) for details on all commands available in the template.

This example shows how to configure a BGP peer-session template and apply it to a BGP peer:

```
switch# configure terminal
switch(config)# router bgp 65536
switch(config-router)# template peer-session BaseSession
switch(config-router-stmp)# timers 30 90
switch(config-router-stmp)# exit
switch(config-router)# neighbor 192.168.1.2 remote-as 65536
switch(config-router-neighbor)# inherit peer-session BaseSession
switch(config-router-neighbor)# description Peer Router A
switch(config-router-neighbor)# address-family ipv4 unicast
switch(config-router-neighbor)# copy running-config startup-config
```

Configuring BGP Peer-Policy Templates

You can configure a peer-policy template to define attributes for a particular address family. You assign a preference to each peer-policy template and these templates are inherited in the order specified, for up to five peer-policy templates in a neighbor address family.

Cisco NX-OS evaluates multiple peer policies for an address family using the preference value. The lowest preference value is evaluated first. Any attributes configured for the neighbor take priority over any attributes inherited by that neighbor from a BGP template.

Peer-policy templates can configure address family-specific attributes such as AS-path filter lists, prefix lists, route reflection, and soft reconfiguration.

Before you begin

Ensure that you have enabled the BGP feature (see the [Enabling the BGP Feature](#) section).



Note When editing a template, you can use the **no** form of a command at either the peer or template level to explicitly override a setting in a template. You must use the default form of the command to reset that attribute to the default state.

SUMMARY STEPS

1. **configure terminal**
2. **router bgp** *autonomous-system-number*
3. **template peer-policy** *template-name*
4. (Optional) **advertise-active-only**
5. (Optional) **maximum-prefix** *number*
6. **exit**
7. **neighbor** *ip-address* **remote-as** *as-number*
8. **address-family** { **ipv4** | **ipv6** } { **multicast** | **unicast** }
9. **inherit peer-policy** *template-name preference*

10. (Optional) **show bgp peer-policy** *template-name*
11. (Optional) copy running-config startup-config

DETAILED STEPS

	Command or Action	Purpose
Step 1	configure terminal Example: <pre>switch# configure terminal switch(config)#</pre>	Enters global configuration mode.
Step 2	router bgp <i>autonomous-system-number</i> Example: <pre>switch(config)# router bgp 65536 switch(config-router)#</pre>	Enables BGP and assigns the autonomous system number to the local BGP speaker.
Step 3	template peer-policy <i>template-name</i> Example: <pre>switch(config-router)# template peer-policy BasePolicy switch(config-router-ptmp)#</pre>	Creates a peer-policy template.
Step 4	(Optional) advertise-active-only Example: <pre>switch(config-router-ptmp)# advertise-active-only</pre>	Advertises only active routes to the peer.
Step 5	(Optional) maximum-prefix <i>number</i> Example: <pre>switch(config-router-ptmp)# maximum-prefix 20</pre>	Sets the maximum number of prefixes allowed from this peer.
Step 6	exit Example: <pre>switch(config-router-ptmp)# exit switch(config-router)#</pre>	Exits peer-policy template configuration mode.
Step 7	neighbor ip-address remote-as <i>as-number</i> Example: <pre>switch(config-router)# neighbor 192.168.1.2 remote-as 65536 switch(config-router-neighbor)#</pre>	Places the router in neighbor configuration mode for BGP routing and configures the neighbor IP address.
Step 8	address-family { ipv4 ipv6 } { multicast unicast } Example: <pre>switch(config-router-neighbor)# address-family ipv4 unicast switch(config-router-neighbor-af)#</pre>	Enters global address family configuration mode for the specified address family.

	Command or Action	Purpose
Step 9	inherit peer-policy <i>template-name preference</i> Example: switch(config-router-neighbor-af)# inherit peer-policy BasePolicy 1	Applies a peer-policy template to the peer address family configuration and assigns the preference value for this peer policy.
Step 10	(Optional) show bgp peer-policy <i>template-name</i> Example: switch(config-router-neighbor-af)# show bgp peer-policy BasePolicy	Displays the peer-policy template.
Step 11	(Optional) copy running-config startup-config Example: switch(config-router-neighbor-af)# copy running-config startup-config	Saves this configuration change.

Example

Use the **show bgp neighbor** command to see the template applied. See the [Cisco Nexus 3000 Series Command Reference](#) for details on all commands available in the template.

This example shows how to configure a BGP peer-session template and apply it to a BGP peer:

```
switch# configure terminal
switch(config)# router bgp 65536
switch(config-router)# template peer-session BasePolicy
switch(config-router-ptmp)# maximum-prefix 20
switch(config-router-ptmp)# exit
switch(config-router)# neighbor 192.168.1.1 remote-as 65536
switch(config-router-neighbor)# address-family ipv4 unicast
switch(config-router-neighbor-af)# inherit peer-policy BasePolicy
switch(config-router-neighbor-af)# copy running-config startup-config
```

Configuring BGP Peer Templates

You can configure BGP peer templates to combine session and policy attributes in one reusable configuration block. Peer templates can also inherit peer-session or peer-policy templates. Any attributes configured for the neighbor take priority over any attributes inherited by that neighbor from a BGP template. You configure only one peer template for a neighbor, but that peer template can inherit peer-session and peer-policy templates.

Peer templates support session and address family attributes, such as eBGP multihop time-to-live, maximum prefix, next-hop self, and timers.

Before you begin

Ensure that you have enabled the BGP feature (see the [Enabling the BGP Feature](#) section).



Note When editing a template, you can use the **no** form of a command at either the peer or template level to explicitly override a setting in a template. You must use the default form of the command to reset that attribute to the default state.

SUMMARY STEPS

1. **configure terminal**
2. **router bgp** *autonomous-system-number*
3. **template peer** *template-name*
4. (Optional) **inherit peer-session** *template-name*
5. (Optional) **address-family** { **ipv4** | **ipv6** } { **multicast** | **unicast** }
6. (Optional) **inherit peer** *template-name*
7. **exit**
8. (Optional) **timers** *keepalive hold*
9. **exit**
10. **neighbor** *ip-address* **remote-as** *as-number*
11. **inherit peer** *template-name*
12. (Optional) **timers** *keepalive hold*
13. (Optional) **show bgp peer-template** *template-name*
14. (Optional) **copy running-config startup-config**

DETAILED STEPS

	Command or Action	Purpose
Step 1	configure terminal Example: <pre>switch# configure terminal switch(config)#</pre>	Enters global configuration mode.
Step 2	router bgp <i>autonomous-system-number</i> Example: <pre>switch(config)# router bgp 65536</pre>	Enters BGP mode and assigns the autonomous system number to the local BGP speaker.
Step 3	template peer <i>template-name</i> Example: <pre>switch(config-router)# template peer BasePeer switch(config-router-neighbor)#</pre>	Enters peer template configuration mode.
Step 4	(Optional) inherit peer-session <i>template-name</i> Example: <pre>switch(config-router-neighbor)# inherit peer-session BaseSession</pre>	Inherits a peer-session template in the peer template.

	Command or Action	Purpose
Step 5	(Optional) address-family { ipv4 ipv6 } { multicast unicast } Example: <pre>switch(config-router-neighbor)# address-family ipv4 unicast switch(config-router-neighbor-af)#</pre>	Configures the global address family configuration mode for the specified address family.
Step 6	(Optional) inherit peer <i>template-name</i> Example: <pre>switch(config-router-neighbor-af)# inherit peer BasePolicy</pre>	Applies a peer template to the neighbor address family configuration.
Step 7	exit Example: <pre>switch(config-router-neighbor-af)# exit switch(config-router-neighbor)#</pre>	Exits BGP neighbor address family configuration mode.
Step 8	(Optional) timers <i>keepalive hold</i> Example: <pre>switch(config-router-neighbor)# timers 45 100</pre>	Adds the BGP timer values to the peer. These values override the timer values in the peer-session template, BaseSession.
Step 9	exit Example: <pre>switch(config-router-neighbor)# exit switch(config-router)#</pre>	Exits BGP peer template configuration mode.
Step 10	neighbor <i>ip-address</i> remote-as <i>as-number</i> Example: <pre>switch(config-router)# neighbor 192.168.1.2 remote-as 65536 switch(config-router-neighbor)#</pre>	Places the router in neighbor configuration mode for BGP routing and configures the neighbor IP address.
Step 11	inherit peer <i>template-name</i> Example: <pre>switch(config-router-neighbor)# inherit peer BasePeer</pre>	Inherits the peer template.
Step 12	(Optional) timers <i>keepalive hold</i> Example: <pre>switch(config-router-neighbor)# timers 60 120</pre>	Adds the BGP timer values to this neighbor. These values override the timer values in the peer template and the peer-session template.
Step 13	(Optional) show bgp peer-template <i>template-name</i> Example: <pre>switch(config-router-neighbor-af)# show bgp peer-template BasePeer</pre>	Displays the peer template.

	Command or Action	Purpose
Step 14	(Optional) copy running-config startup-config Example: <pre>switch(config-router-neighbor-af)# copy running-config startup-config</pre>	Saves this configuration change.

Example

Use the **show bgp neighbor** command to see the template applied. See the Cisco [Nexus 3600 Series Command Reference](#) for details on all commands available in the template.

This example shows how to configure a BGP peer template and apply it to a BGP peer:

```
switch# configure terminal
switch(config)# router bgp 65536
switch(config-router)# template peer BasePeer
switch(config-router-neighbor)# inherit peer-session BaseSession
switch(config-router-neighbor)# address-family ipv4 unicast
switch(config-router-neighbor-af)# inherit peer-policy BasePolicy 1
switch(config-router-neighbor-af)# exit
switch(config-router-neighbor)# exit
switch(config-router)# neighbor 192.168.1.2 remote-as 65536
switch(config-router-neighbor)# inherit peer BasePeer
switch(config-router-neighbor)# copy running-config startup-config
```

Configuring Prefix Peering

BGP supports the definition of a set of peers using a prefix for both IPv4 and IPv6. This feature allows you to not have to add each neighbor to the configuration.

When defining a prefix peering, you must specify the remote AS number with the prefix. BGP accepts any peer that connects from that prefix and autonomous system if the prefix peering does not exceed the configured maximum peers allowed.

When a BGP peer that is part of a prefix peering disconnects, Cisco NX-OS holds its peer structures for a defined prefix peer timeout value. An established peer can reset and reconnect without danger of being blocked because other peers have consumed all slots for that prefix peering.

To configure the BGP prefix peering timeout value, use the following command in router configuration mode:

Command	Purpose
timers prefix-peer-timeout <i>value</i> Example : <pre>switch(config-router)# timers prefix-peer-timeout 120</pre>	Configures the timeout value for prefix peering. The range is from 0 to 1200 seconds. The default value is 30. Note For prefix peers, set the prefix peer timeout to be greater than the configured graceful restart timer. If the prefix peer timeout is greater than the graceful restart timer, a peer's route is retained during its restart. If the prefix peer timeout is less than the graceful restart timer, the peer's route is purged by the prefix peer timeout, which may occur before the restart is complete.

Command	Purpose
<p>timers prefix-peer-wait interval</p> <p>Example :</p> <pre>switch(config-router)# timers prefix-peer-wait 50</pre>	<p>Configures the BGP prefix peering wait timer on a per-VRF basis or on the default VRF. You can use the timers prefix-peer-wait command to disable the peer prefix wait time so that there is no delay before BGP prefixes are inserted into the routing information base (RIB).</p> <p>The range of the interval is from 0 to 1200 seconds. The default value is 90 seconds.</p> <p>Note The timer is only applicable for BGP dynamic neighbors. It is only set when BGP is restarted or is coming up for the first time for dynamic BGP neighbors.</p>

To configure the maximum number of peers, use the following command in neighbor configuration mode:

Command	Purpose
<p>maximum-peers value</p> <p>Example :</p> <pre>switch(config-router-neighbor)# maximum-peers 120</pre>	<p>Configures the maximum number of peers for this prefix peering. The range is from 1 to 1000.</p>

This example shows how to configure a prefix peering that accepts up to 10 peers:

```
switch(config)# router bgp 65536
switch(config-router)# timers prefix-peer-timeout 120
switch(config-router)# neighbor 10.100.200.0/24 remote-as 65536
switch(config-router-neighbor)# maximum-peers 10
switch(config-router-neighbor)# address-family ipv4 unicast
switch(config-router-neighbor-af)#
```

This example shows how to disable the peer prefix wait time:

```
switch(config)# router bgp 100
switch(config-router)# timers prefix-peer-wait 50
switch(config-router)#
```

Use the **show ip bgp neighbors** command to show the details of the configuration for that prefix peering with a list of the currently accepted instances and the counts of active, maximum concurrent, and total accepted peers.

Configuring BGP Interface Peering via IPv6 Link-Local for IPv4 and IPv6 Address Families

You can configure BGP Interface Peering via IPv6 Link-Local for IPv4 and IPv6 Address Families for automatic BGP neighbor discovery using unnumbered interfaces. Doing so allows you to set up BGP sessions using an interface name as a BGP peer (rather than interface-scoped addresses). This feature relies on ICMPv6 neighbor discovery (ND) route advertisement (RA) for automatic neighbor discovery and on RFC 5549 for sending IPv4 routes with IPv6 next hop.

Before you begin

You must enable BGP.

SUMMARY STEPS

1. **configure terminal**
2. **router bgp** *autonomous-system-number*
3. **neighbor** *interface-name* **remote-as** {*as-number* | **route-map** *map-name*}
4. **inherit peer** *template-name*
5. (Optional) **maximum-peers** *value*
6. **address-family** {**ipv4** | **ipv6**} **unicast**
7. (Optional) **show bgp** {**ipv4** | **ipv6**} **unicast neighbors** *interface*
8. (Optional) **show ip bgp neighbors** *interface-name*
9. (Optional) **show ipv6 routers** [**interface** *interface*]
10. (Optional) **copy running-config startup-config**

DETAILED STEPS

	Command or Action	Purpose
Step 1	configure terminal Example: <pre>switch# configure terminal</pre>	Enters configuration mode.
Step 2	router bgp <i>autonomous-system-number</i> Example: <pre>switch(config)# router bgp 65535 switch(config-router)#</pre>	Enables BGP and assigns the autonomous system number to the local BGP speaker. The AS number can be a 16-bit integer or a 32-bit integer in the form of a higher 16-bit decimal number and a lower 16-bit decimal number in xx.xx format.
Step 3	neighbor <i>interface-name</i> remote-as { <i>as-number</i> route-map <i>map-name</i> } Example: <pre>switch(config-router)# neighbor Ethernet1/1 remote-as route-map Testmap switch(config-router-neighbor)#</pre>	Places the router in the neighbor configuration mode for BGP routing and configures the interface for BGP peering. Note You can specify only Ethernet interfaces, port-channel interfaces, subinterfaces, and breakout interfaces. Beginning with Cisco NX-OS Release 9.3(6), you can specify a route map, which can contain AS lists and ranges. See Dynamic AS Numbers for Prefix Peers and Interface Peers for more information about using dynamic AS numbers. <i>interface-name</i> can be a range if the configuration needs to be applied to more than one interface.
Step 4	inherit peer <i>template-name</i> Example:	Inherits the peer template.

	Command or Action	Purpose
	<code>switch(config-router-neighbor)# inherit peer PEER</code>	
Step 5	(Optional) maximum-peers <i>value</i> Example: <code>switch(config-router-neighbor)# maximum-peers 120</code>	Configures the maximum number of peers for this prefix peering in neighbor configuration mode. The range is from 1 to 1000. Note The default number of sessions that can be brought up by a single interface-peer is 1.
Step 6	address-family { ipv4 ipv6 } unicast Example: <code>switch(config-router-neighbor)# address-family ipv4 unicast switch(config-router-neighbor-af)#</code>	Enters global address family configuration mode for the address family specified.
Step 7	(Optional) show bgp { ipv4 ipv6 } unicast neighbors <i>interface</i> Example: <code>switch(config-router-neighbor-af)# show bgp ipv4 unicast neighbors e1/25</code> Example: <code>switch(config-router-neighbor-af)# show bgp ipv6 unicast neighbors 3FFE:700:20:1::11</code>	Displays information about BGP peers.
Step 8	(Optional) show ip bgp neighbors <i>interface-name</i> Example: <code>switch(config-router-neighbor-af)# show ip bgp neighbors Ethernet1/1</code>	Displays the interface used as a BGP peer.
Step 9	(Optional) show ipv6 routers [interface <i>interface</i>] Example: <code>switch(config-router-neighbor-af)# show ipv6 routers interface Ethernet1/1</code>	Displays the link-local address of remote IPv6 routers, which is learned through IPv6 ICMP router advertisement.
Step 10	(Optional) copy running-config startup-config Example: <code>switch(config-router-neighbor-af)# copy running-config startup-config</code>	Saves this configuration change.

Example

This example shows how to configure BGP Interface Peering via IPv6 Link-Local for IPv4 and IPv6 Address Families using a route map:

iBGP Interface Peering Configuration for Leaf 1:

```
switch# configure terminal
switch(config)# route-map Testmap permit 10
switch(config-route-map)# match as-number 100-200, 300, 400
```



```

switch(config-route-map)# exit
switch(config)# router bgp 65000
switch(config-router)# neighbor Ethernet1/1 remote-as route-map Testmap
switch(config-router-neighbor)# inherit peer PEER
switch(config-router-neighbor)# address-family ipv4 unicast
switch(config-router-neighbor)# address-family ipv6 unicast
switch(config-router-neighbor-af)# copy running-config startup-config

```

This example shows sample output for BGP Interface Peering via IPv6 Link-Local for IPv4 and IPv6 Address Families:

```

switch(config-router-neighbor)# show bgp ipv4 unicast neighbors e1/15.1
BGP neighbor is fe80::2, remote AS 100, ibgp link, Peer index 4
Peer is an instance of interface peering Ethernet1/15.1
BGP version 4, remote router ID 5.5.5.5
Neighbor previous state = OpenConfirm
BGP state = Established, up for 2d16h
Neighbor vrf: default
Peer is directly attached, interface Ethernet1/15.1
Last read 00:00:54, hold time = 180, keepalive interval is 60 seconds
Last written 00:00:08, keepalive timer expiry due 00:00:51
Received 3869 messages, 0 notifications, 0 bytes in queue
Sent 3871 messages, 0 notifications, 0(0) bytes in queue
Enhanced error processing: On
0 discarded attributes
Connections established 2, dropped 1
Last reset by peer 2d16h, due to session closed
Last error length received: 0
Reset error value received 0
Reset error received major: 104 minor: 0
Notification data received:
Last reset by us never, due to No error
Last error length sent: 0
Reset error value sent: 0
Reset error sent major: 0 minor: 0
--More--

```

Interface Configuration:

IPv6 needs to be enabled on the corresponding interface using one of the following commands:

- **ipv6 address** *ipv6-address*
- **ipv6 address use-link-local-only**
- **ipv6 link-local** *link-local-address*

```

switch# configure terminal
switch(config)# interface Ethernet1/1
switch(config-if)# ipv6 address use-link-local-only

```



Note If an IPv4 address is not configured on the interface, the **ip forward** command must be configured on the interface to enable IPv4 forwarding.



Note IPv6 ND timers can be tuned to speed up neighbor discovery and for BGP faster route convergence.

```
switch(config-if) # ipv6 nd ra-interval 4 min 3
switch(config-if) # ipv6 nd ra-lifetime 10
```



Note Beginning with Cisco NX-OS Release 9.3(6), for customer deployments with parallel links, the following command must be added in interface mode:

```
switch(config-if) # ipv6 link-local use-bia
```

The command makes IPv6 LLA unique across different interfaces.

Configuring BGP Authentication

You can configure BGP to authenticate route updates from peers using MD5 digests.

Alternatively, beginning with Cisco NX-OS Release 10.4(2)F, you can configure BGP to authenticate route updates from peers using TCP Authentication Option (TCP AO).

Beginning with Cisco NX-OS Release 10.3(3)F, Type-6 encryption for BGP password is supported on Cisco NX-OS switches. Following encryption types are supported:

- AES based encryption
- A configurable encryption-key called as primary-key is used for encryption and decryption of secrets.

To configure BGP to use MD5 digests or TCP AO, use the following command in neighbor configuration mode:

Before you begin

- Ensure the primary-key is configured using the **key config-key ascii** *<primary_key>* command on Cisco NX-OS switches.
- For Type-6 encryption to function properly, ensure **feature password encryption aes** is enabled on Cisco NX-OS switches.
- See [Configuring TCP Authentication Option](#) to configure and use TCP keychain authentication option for BGP neighbor session authentication.

SUMMARY STEPS

1. **key config-key ascii** *<primary_key>*
2. **configure terminal**
3. **feature password encryption aes**
4. **router bgp** *AS number*
5. **template peertemplate** *name*
6. **password** **{0 | 3 | 7 | 6}** *string*
7. (Optional) **encryption re-encrypt obfuscated**

	Command or Action	Purpose
Step 8	(Optional) encryption delete type-6 Example: switch# encryption delete type-6	Deletes the Type-6 encrypted password.
Step 9	(Optional) ao <Keychain-name> [include-tcp-options]	Configures option to specify whether the TCP option headers (other than TCP AO option) will be included while computing the MAC digest of the packets.

Resetting a BGP Session

If you modify a route policy for BGP, you must reset the associated BGP peer sessions. If the BGP peers do not support route refresh, you can configure a soft reconfiguration for inbound policy changes. Cisco NX-OS automatically attempts a soft reset for the session.

To configure soft reconfiguration inbound, use the following command in neighbor address-family configuration mode:

Command	Purpose
soft-reconfiguration inbound always Example : switch(config-router-neighbor-af) # soft-reconfiguration inbound always	Enables soft reconfiguration to store the inbound BGP route updates. This command triggers an automatic soft clear or refresh of BGP neighbor sessions.

To reset a BGP neighbor session, use the following command in any mode:

Command	Purpose
clear bgp ip { unicast multicast } ip-address soft { in out } Example : switch# clear bgp ip unicast 192.0.2.1 soft in	Resets the BGP session without tearing down the TCP session.

Modifying the Next-Hop Address

You can modify the next-hop address used in a route advertisement in the following ways:

- Disable the next-hop calculation and use the local BGP speaker address as the next-hop address.
- Set the next-hop address as a third-party address. Use this feature in situations where the original next-hop address is on the same subnet as the peer that the route is being sent to. Using this feature saves an extra hop during forwarding.

To modify the next-hop address, use the following parameters in commands address-family configuration mode:

Command	Purpose
<p>next-hop-self</p> <p>Example :</p> <pre>switch(config-router-neighbor-af) # next-hop-self</pre>	<p>Uses the local BGP speaker address as the next-hop address in route updates. This command triggers an automatic soft clear or refresh of BGP neighbor sessions.</p>
<p>next-hop-third-party</p> <p>Example :</p> <pre>switch(config-router-neighbor-af) # next-hop-third-party</pre>	<p>Sets the next-hop address as a third-party address. Use this command for single-hop EBGP peers that do not have next-hop-self configured.</p>

Configuring BGP Next-Hop Address Tracking

BGP next-hop address tracking is enabled by default and cannot be disabled.

You can modify the delay interval between RIB checks to increase the performance of BGP next-hop tracking. You can configure the critical timer for routes that affect BGP next-hop reachability, and you can configure the noncritical timer for all other routes in the BGP table.

To modify the BGP next-hop address tracking, use the following commands address-family configuration mode:

Command	Purpose
<p>nexthop trigger-delay {critical non-critical} milliseconds</p> <p>Example :</p> <pre>switch(config-router-af) # nexthop trigger-delay critical 5000</pre>	<p>Specifies the next-hop address tracking delay timer for critical next-hop reachability routes and for noncritical routes. The range is from 1 to 4294967295 milliseconds. The critical timer default is 3000. The noncritical timer default is 10000.</p>
<p>nexthop route-map name</p> <p>Example :</p> <pre>switch(config-router-af) # nexthop route-map nextHopLimits</pre>	<p>Specifies a route map to match the BGP next-hop addresses to. The name can be any case-sensitive, alphanumeric string up to 63 characters.</p>

Configuring Next-Hop Filtering

BGP next-hop filtering allows you to specify that when a next-hop address is checked with the RIB, the underlying route for that next-hop address is passed through the route map. If the route map rejects the route, the next-hop address is treated as unreachable.

BGP marks all next-hops that are rejected by the route policy as invalid and does not calculate the best path for the routes that use the invalid next-hop address.

To configure BGP next-hop filtering, use the following command in address-family configuration mode:

Command	Purpose
nexthop route-map <i>name</i> Example : <pre>switch(config-router-af)# nexthop route-map nextHopLimits</pre>	Specifies a route map to match the BGP next-hop route to. The name can be any case-sensitive, alphanumeric string up to 63 characters.

Controlling Reflected Routes Through Next-Hop-Self

NX-OS enables controlling the iBGP routes being sent to a specific peer through the **next-hop-self** [all] arguments. By using these arguments, you can selectively change the next-hop of routes even if the route is reflected.

Command	Purpose
next-hop-self [all] Example: <pre>switch(config-router-af)# next-hop-self all</pre>	Uses the local BGP speaker address as the next-hop address in route updates. The all keyword is optional. If you specify all, all routes are sent to the peer with next-hop-self. If you do not specify all, the next hops of reflected routes are not changed.

Shrinking Next-Hop Groups When A Session Goes Down

You can configure BGP to shrink ECMP groups in an accelerated way when a session goes down.

This feature applies to the following BGP path failure events:

- Any single or multiple Layer 3 link failures
- BFD failure detections for BGP neighbors
- Administrative shutdown of BGP neighbors (using the shutdown command)

The accelerated handling of Layer 3 link failures is enabled by default and does not require a configuration command to be enabled.

To configure the accelerated handling of the last two events, use the following command in the router configuration mode:

Command	Purpose
neighbor-down fib-accelerate Example : <pre>switch(config-router)# neighbor-down fib-accelerate</pre>	Withdraws the corresponding next hop from all next-hop groups (ECMP groups and single next-hop routes) whenever a BGP session goes down. Note This command applies to both IPv4 and IPv6 address-family routes and is supported only in a BGP-only environment where all non-direct routes are installed by BGP.

Disabling Capabilities Negotiation

You can disable capabilities negotiations to interoperate with older BGP peers that do not support capabilities negotiation.

To disable capabilities negotiation, use the following command in neighbor configuration mode:

Command	Purpose
dont-capability-negotiate Example : <pre>switch(config-router-neighbor) # dont-capability-negotiate</pre>	Disables capabilities negotiation. You must manually reset the BGP sessions after configuring this command.

Configuring BGP Additional Paths

GP supports sending and receiving multiple paths per prefix and advertising such paths.

Advertising the Capability of Sending and Receiving Additional Paths

You can configure BGP to advertise the capability of sending and receiving additional paths to and from the BGP peers. To do so, use the following commands in neighbor address-family configuration mode:

SUMMARY STEPS

1. `[no] capability additional-paths send [disable]`
2. `[no] capability additional-paths receive [disable]`
3. `show bgp neighbor`

DETAILED STEPS

	Command or Action	Purpose
Step 1	[no] capability additional-paths send [disable] Example: <pre>switch(config-router-neighbor-af) # capability additional-paths send</pre>	Advertises the capability to send additional paths to the BGP peer. The disable option disables the advertising capability of sending additional paths. The no form of this command disables the capability of sending additional paths.
Step 2	[no] capability additional-paths receive [disable] Example: <pre>switch(config-router-neighbor-af) # capability additional-paths receive</pre>	Advertises the capability to receive additional paths from the BGP peer. The disable option disables the advertising capability of receiving additional paths. The no form of this command disables the capability of receiving additional paths.
Step 3	show bgp neighbor Example: <pre>switch(config-router-neighbor-af) # show bgp neighbor</pre>	Displays whether the local peer has advertised the additional paths send or receive capability to the remote peer.

Example

This example shows how to configure BGP to advertise the capability to send and receive additional paths to and from the BGP peer:

```
switch# configure terminal
switch(config)# router bgp 100
switch(config-router)# neighbor 10.131.31.2 remote-as 100
switch(config-router-neighbor)# address-family ipv4 unicast
switch(config-router-neighbor-af)# capability additional-paths send
switch(config-router-neighbor-af)# capability additional-paths receive
```

Configuring the Sending and Receiving of Additional Paths

You can configure the capability of sending and receiving additional paths to and from the BGP peers. To do so, use the following commands in address-family configuration mode:

SUMMARY STEPS

1. `[no] additional-paths send`
2. `[no] additional-paths receive`
3. `show bgp neighbor`

DETAILED STEPS

	Command or Action	Purpose
Step 1	<code>[no] additional-paths send</code> Example: <code>switch(config-router-af)# additional-paths send</code>	Enables the send capability of additional paths for all of the neighbors under this address family for which the capability has not been disabled. The no form of this command disables the send capability.
Step 2	<code>[no] additional-paths receive</code> Example: <code>switch(config-router-af)# additional-paths receive</code>	Enables the receive capability of additional paths for all of the neighbors under this address family for which the capability has not been disabled. The no form of this command disables the receive capability.
Step 3	<code>show bgp neighbor</code> Example: <code>switch(config-router-af)# show bgp neighbor</code>	Displays whether the local peer as advertised the additional paths send or receive capability to the remote peer.

Example

This example shows how to enable the additional paths send and receive capability for all neighbors under the specified address family for which this capability has not been disabled:

```
switch# configure terminal
switch(config)# router bgp 100
switch(config-router)# address-family ipv4 unicast
```



```
switch(config-router-af)# additional-paths send
switch(config-router-af)# additional-paths receive
```

Configuring Advertised Paths

You can specify the paths that are advertised for BGP. To do so, use the following commands in route-map configuration mode:

SUMMARY STEPS

1. `[no] set ip next-hop unchanged`
2. `[no] set path-selection { all | backup | best2 | multipaths } | advertise`
3. `show bgp {ipv4 | ipv6} unicast [ip-address | ipv6-prefix] [vrf vrf-name]`

DETAILED STEPS

	Command or Action	Purpose
Step 1	<p>[no] set ip next-hop unchanged</p> <p>Example:</p> <pre>switch(config-route-map)# set ip next-hop unchanged</pre>	Specifies and unchanged next-hop IP address.
Step 2	<p>[no] set path-selection { all backup best2 multipaths } advertise</p> <p>Example:</p> <pre>switch(config-route-map)# set path-selection all advertise</pre>	<p>Specifies that all paths be advertised for a given prefix. You can use one of the following options:</p> <ul style="list-style-type: none"> • all—Advertises all available valid paths. • backup—Advertises paths marked as backup paths. This option requires that backup paths be enabled using the <code>additional-path install backup</code> command. • best2—Advertises the second best path, which is the best path of the remaining available paths, except the already calculated best path. • multipaths—Advertises all multipaths. This option requires that multipaths be enabled using the <code>maximum-paths</code> command. <p>Note If there are no multipaths, the <code>backup</code> and <code>best2</code> options are the same. If there are multipaths, <code>best2</code> is the first path on the list of multipaths while <code>backup</code> is the best path of all available paths, except the calculated best path and multipaths.</p> <p>The no form of this command specifies that only the best path be advertised.</p>
Step 3	<p>show bgp {ipv4 ipv6} unicast [ip-address ipv6-prefix] [vrf vrf-name]</p> <p>Example:</p>	Displays the path ID for the additional paths of a prefix and advertisement information for these paths.

	Command or Action	Purpose
	switch(config-route-map) # show bgp ipv4 unicast	

Example

This example show how to specify that all paths be advertised for the prefix list p1:

```
switch# configure terminal
switch(config)# route-map PATH_SELECTION_RMAP
switch(config-route-map)# match ip address prefix-list p1
switch(config-route-map)# set path-selection all advertise
```

Configuring Additional Path Selection

You can configure the capability fo selecting additional paths for a prefix. To do so, use the following commands in address-family configuration mode:

SUMMARY STEPS

1. [no] additional-paths selection route-map *map-name*
2. show bgp {ipv4 | ipv6} unicast [*ip-address* | *ipv6-prefix*] [*vrf vrf-name*]

DETAILED STEPS

	Command or Action	Purpose
Step 1	[no] additional-paths selection route-map <i>map-name</i> Example: switch(config-router-af) # additional paths selection route-map map1	Configures the capability of selecting additional paths for a prefix. The no form of this command disables the additional paths selection capability.
Step 2	show bgp {ipv4 ipv6} unicast [<i>ip-address</i> <i>ipv6-prefix</i>] [<i>vrf vrf-name</i>] Example: switch(config-route-af) # show bgp ipv4 unicast	Displays the path ID for the additional paths of a prefix and advertisement information for these paths.

Example

This example shows how to configure additional paths selection under the specified address family:

```
switch# configure terminal
switch(config)# router bgp 100
switch(config-router)# address-family ipv4 unicast
switch(config-router-af)# additional-paths selection route-map PATH_SELECTION_RMAP
```

Configuring eBGP

This section includes the following topics:

Configuring eBGP Next-Hop Unchanged

You can configure eBGP to send routes to an eBGP multihop peer without changing the next-hop address. By default, the device changes the next-hop address of a BGP route to its own address when the device sends out a route.

	Command	Purpose
Step 1	disable-connected-check Example : <pre>switch(config-router-neighbor)# disable-connected-check</pre>	Disables checking whether or not a single-hop eBGP peer is directly connected. You must manually reset the BGP sessions after using this command.
Step 2	configure terminal Example: <pre>switch# configure terminal</pre>	Enters global configuration mode.
Step 3	route-map route-map name Example: <pre>switch(config)# route-map route</pre>	Enters route map configuration mode.
Step 4	set ip next-hop unchanged Example: <pre>switch(config-route-map)# set ip next-hop unchanged</pre>	Configures the device to send BGP updates to the specified eBGP peer without modifying the next-hop address.
Step 5	exit Example: <pre>switch(config-route-map)# exit</pre>	Exits route map configuration mode.

This example shows how to set eBGP next-hop unchanged to send routes without changing the next-hop address:

```
switch# configure terminal
switch(config)# route-map route
switch(config-route-map)# set ip next-hop unchanged
switch(config-route-map)# exit
switch(config)#
```

Disabling eBGP Single-Hop Checking

You can configure eBGP to disable checking whether a single-hop eBGP peer is directly connected to the local router. Use this option for configuring a single-hop loopback eBGP session between directly connected switches.

To disable checking whether or not a single-hop eBGP peer is directly connected, use the following command in neighbor configuration mode:

Command	Purpose
disable-connected-check Example : <pre>switch(config-router-neighbor)# disable-connected-check</pre>	Disables checking whether or not a single-hop eBGP peer is directly connected. You must manually reset the BGP sessions after using this command.

Configuring eBGP Multihop

You can configure the eBGP time-to-live (TTL) value to support eBGP multihop. In some situations, an eBGP peer is not directly connected to another eBGP peer and requires multiple hops to reach the remote eBGP peer. You can configure the eBGP TTL value for a neighbor session to allow these multihop sessions.

To configure eBGP multihop, use the following command in neighbor configuration mode:

Command	Purpose
ebgp-multihop <i>tvl-value</i> Example : <pre>switch(config-router-neighbor)# ebgp-multihop 5</pre>	Configures the eBGP TTL value for eBGP multihop. The range is from 2 to 255. You must manually reset the BGP sessions after using this command.

Configuring eBGP Routes in the Same Autonomous System

You can configure eBGP learned routes from a remote autonomous system (AS) to advertise to another eBGP peer in the same AS.



Note When route updates are sent between peers within the same AS number, they are dropped unless you enter the **allowas-in** command.

To disable AS peer checking, use the following command in neighbor configuration mode:

	Command	Purpose
Step 1	router bgp <i>autonomous-system-number</i> Example : <pre>switch(config)# router bgp 64496</pre>	Enables BGP and assigns the AS number to the local BGP speaker. The AS number can be a 16-bit integer or a 32-bit integer in the form of a higher 16-bit decimal number and a lower 16-bit decimal number in xx.xx format.
Step 2	neighbor ipv4 remote-as <i>as-number</i> Example : <pre>switch (config-router)# neighbor 209.165.201.1 remote-as 64497</pre>	Configures the specified address type and AS number for a remote BGP peer. The ip-address format is x.x.x.x. The IPv6 address-format is A:B::C:D.

	Command	Purpose
Step 3	address family ipv4 unicast Example : switch(config-router)# address family ipv4 unicast	Enters neighbor address family configuration mode for the unicast specified address family.
Step 4	disable-peer-as-check Example : switch(config-router-neighbor-af)# disable-peer-as-check	Disables AS checking so that routes are updated between peers in the same AS.
Step 5	show bgp neighbor Example : switch(config-router-neighbor-af)# show bgp ipv4 unicast neighbors	Displays information about BGP peers.

This example shows how to display BGP peer information:

```
switch(config)# show bgp neighbor 1.222.222.2
bgp neighbor is 1.222.222.2, remote as 2222, ebgp link, peer index 1
bgp version 4, remote router id1.100.1.2 ####output truncated###
for address family:ipv4 unicast
bgp table version 54, neighbor version 54
3 accepted paths consume 108 bytes of memory
10 sent paths
peer asn check is disabled

####output omitted####
```

Disabling a Fast External Failover

Typically, when a BGP router loses connectivity to a directly connected eBGP peer, BGP triggers a fast external failover by resetting the eBGP session to the peer. You can disable this fast external failover to limit the instability caused by link flaps.

To disable a fast external failover, use the following command in router configuration mode:

Command	Purpose
no fast-external-fallover Example : switch(config-router)# no fast-external-fallover	Disables a fast external failover for eBGP peers. This command is enabled by default.

Limiting the AS-path Attribute

You can configure eBGP to discard routes that have a high number of AS numbers in the AS-path attribute.

To discard routes that have a high number of AS numbers in the AS-path attribute, use the following command in router configuration mode:

Command	Purpose
maxas-limit <i>number</i> Example : <pre>switch(config-router)# maxas-limit 50</pre>	Discards eBGP routes that have a number of AS-path segments that exceed the specified limit. The range is from 1 to 2000

Configuring Local AS Support

The local AS feature allows a router to appear to be a member of a second autonomous system (AS), in addition to its real AS. Local AS allows two ISPs to merge without modifying peering arrangements. Routers in the merged ISP become members of the new autonomous system but continue to use their old AS numbers for their customers.

Local AS can only be used for true eBGP peers. You cannot use this feature for two peers that are members of different confederation subautonomous systems.

To configure eBGP local AS support, use the following command in neighbor configuration mode:

Command	Purpose
local-as <i>number</i> [no-prepend [replace-as [dual-as]]] Example : <pre>switch(config-router-neighbor)# local-as 1.1</pre>	<p>Configures eBGP to prepend the local AS <i>number</i> to the AS_PATH attribute.</p> <p>The local-as <i>number</i> can be a 16-bit integer or a 32-bit integer in the form of a higher 16-bit decimal number and a lower 16-bit decimal number in xx.xx format.</p> <p>The no-prepend keyword ensures that the local-as <i>number</i> is not prepended to any downstream BGP neighbors except for the partner who is peering with the local-as <i>number</i>.</p> <p>The replace-as keyword ensures that only the local-as <i>number</i> of the peering session is prepended to the AS_PATH attribute. The autonomous-system number from the local BGP routing process is not prepended.</p> <p>The dual-as keyword configures the eBGP neighbor to establish a peering session using the real autonomous-system number (from the local BGP routing process) or by using the autonomous-system number configured as the Local AS).</p>

Configuring AS Confederations

To configure an AS confederation, you must specify a confederation identifier. The group of autonomous systems within the AS confederation looks like a single autonomous system with the confederation identifier as the autonomous system number.

To configure a BGP confederation identifier, use the following command in router configuration mode:

Command	Purpose
confederation identifier <i>as-number</i> Example : <pre>switch(config-router)# confederation identifier 64512</pre>	Configures a confederation identifier for an AS confederation. Each confederation has a different sub-AS number, usually a private one (from 64512 to 65534). This command triggers an automatic notification and session reset for the BGP neighbor sessions.

To configure the autonomous systems that belong to the AS confederation, use the following command in router configuration mode:

Command	Purpose
bgp confederation peers <i>as-number</i> [<i>as-number2...</i>] Example : <pre>switch(config-router)# bgp confederation peers 5 33 44</pre>	Specifies a list of autonomous systems that belong to the confederation. This command triggers an automatic notification and session reset for the BGP neighbor sessions.

Configuration Examples for BFD for BGP

This example shows how to enable BFD for individual BGP neighbors:

```
router bgp 400
  router-id 2.2.2.2
  neighbor 172.16.2.3
    bfd
    remote-as 400
    update-source Vlan1002
    address-family ipv4 unicast
```

This example shows how to enable BFD for BGP prefix peers:

```
router bgp 400
  router-id 1.1.1.1
  neighbor 172.16.2.0/24
    bfd
    remote-as 400
    update-source Vlan1002
    address-family ipv4 unicast
```

Configuring BGP Attribute Filtering and Error Handling

Beginning with Cisco NX-OS Release 9.3(3), you can configure BGP attribute filtering and error handling to provide an increased level of security. The following features are available and implemented in the following order:

- **Path attribute treat-as-withdraw:** Allows you to treat-as-withdraw a BGP update from a specific neighbor if the update contains a specified attribute type. The prefixes contained in the update are removed from the routing table.

- **Path attribute discard:** Allows you to remove specific path attributes in a BGP update from a specific neighbor.
- **Enhanced attribute error handling:** Prevents peer sessions from flapping due to a malformed update.

Attribute types 1, 2, 3, 4, 5, 8, 14, 15, and 16 cannot be configured for path attribute treat-as-withdraw and path attribute discard. Attribute type 9 (Originator) and type 10 (Cluster-id) can be configured for eBGP neighbors only.

Treating as Withdraw Path Attributes from a BGP Update Message

To "treat-as-withdraw" BGP updates that contain specific path attributes, use the following command in router neighbor configuration mode:

Procedure

	Command or Action	Purpose
Step 1	<p>[no] path-attribute treat-as-withdraw [<i>value</i> range start end] in</p> <p>Example:</p> <pre>switch#(config-router)# neighbor 10.20.30.40 switch(config-router-neighbor)# path-attribute treat-as-withdraw 100 in</pre> <p>Example:</p> <pre>switch#(config-router)# neighbor 10.20.30.40 switch(config-router-neighbor)# path-attribute treat-as-withdraw range 21 255 in</pre>	<p>Treats as withdraw any incoming BGP update messages that contain the specified path attribute or range of path attributes and triggers an inbound route refresh to ensure that the routing table is up to date. Any prefixes in a BGP update that are treat-as-withdraw are removed from the BGP routing table.</p> <p>This command is also supported for BGP template peers and BGP template peer sessions.</p>

Discarding Path Attributes from a BGP Update Message

To discard BGP updates that contain specific path attributes, use the following command in router neighbor configuration mode:

Procedure

	Command or Action	Purpose
Step 1	<p>[no] path-attribute discard [<i>value</i> range start end] in</p> <p>Example:</p> <pre>switch#(config-router)# neighbor 10.20.30.40 switch(config-router-neighbor)# path-attribute discard 100 in</pre> <p>Example:</p> <pre>switch#(config-router)# neighbor 10.20.30.40 switch(config-router-neighbor)# path-attribute discard range 100 255 in</pre>	<p>Drops specified path attributes in BGP update messages for the specified neighbor and triggers an inbound route refresh to ensure that the routing table is up to date. You can configure a specific attribute or an entire range of unwanted attributes.</p> <p>This command is also supported for BGP template peers and BGP template peer sessions.</p> <p>Note When the same path attribute is configured for both discard and treat-as-withdraw, treat-as-withdraw has a higher priority.</p>

Enabling or Disabling Enhanced Attribute Error Handling

BGP enhanced attribute error handling is enabled by default but can be disabled. This feature, which complies with RFC 7606, prevents peer sessions from flapping due to a malformed update. The default behavior applies to both eBGP and iBGP peers.

To disable or reenable enhanced error handling, use the following command in router configuration mode:

Procedure

	Command or Action	Purpose
Step 1	<p>[no] enhanced-error</p> <p>Example:</p> <pre>switch(config)# router bgp 1000 switch(config-router)# enhanced-error</pre>	Enables or disables BGP enhanced attribute error handling.

Displaying Discarded or Unknown Path Attributes

To display information about discarded or unknown path attributes, perform one of the following tasks:

Command	Purpose
show bgp {ipv4 ipv6} unicast path-attribute discard]	Displays all prefixes for which an attribute has been discarded.
show bgp {ipv4 ipv6} unicast path-attribute unknown]	Displays all prefixes that have an unknown attribute.
show bgp {ipv4 ipv6} unicast ip-address	Displays the unknown attributes and discarded attributes associated with a prefix.

The following example shows the prefixes for which an attribute has been discarded:

```
switch# show bgp ipv4 unicast path-attribute discard
Network      Next Hop
1.1.1.1/32   20.1.1.1
1.1.1.2/32   20.1.1.1
1.1.1.3/32   20.1.1.1
```

The following example shows the prefixes that have an unknown attribute:

```
switch# show bgp ipv4 unicast path-attribute unknown
Network      Next Hop
2.2.2.2/32   20.1.1.1
2.2.2.3/32   20.1.1.1
```

The following example shows the unknown attributes and discarded attributes associated with a prefix:

```
switch# show bgp ipv4 unicast 2.2.2.2
BGP routing table entry for 2.2.2.2/32, version 6241
Paths: (1 available, best #1, table default)
  Not advertised to any peer
  Refresh Epoch 1
```

```

1000
 20.1.1.1 from 20.1.1.1 (20.1.1.1)
  Origin IGP, localpref 100, valid, external, best
  unknown transitive attribute: flag 0xE0 type 0x62 length 0x64
    value 0000 0000 0100 0000 0200 0000 0300 0000
           0400 0000 0500 0000 0600 0000 0700 0000
           0800 0000 0900 0000 0A00 0000 0B00 0000
           0C00 0000 0D00 0000 0E00 0000 0F00 0000
           1000 0000 1100 0000 1200 0000 1300 0000
           1400 0000 1500 0000 1600 0000 1700 0000
           1800 0000
  rx pathid: 0, tx pathid: 0x0
  Updated on Jul 20 2019 07:50:43 PST

```

Configuring an Autonomous System Path Containing Your Own Autonomous System

Enable the feature for BGP to accept the autonomous system (AS) path that contains your own AS.

Before you begin

Ensure that you have enabled the BGP feature (see the [Enabling the BGP Feature](#) section).

SUMMARY STEPS

1. **configure terminal**
2. **router bgp** *as-number*
3. **neighbor** *ip-address* **remote-as** *as-number*
4. **address-family** { **ipv4** | **ipv6** } { **multicast** | **unicast** }
5. [**no** | **default**] **allowas-in** [*allowas-in-cnt*]
6. **end**
7. (Optional) **show running-config bgp**
8. **copy running-config startup-config**

DETAILED STEPS

	Command or Action	Purpose
Step 1	configure terminal	Enters global configuration mode.
Step 2	router bgp <i>as-number</i>	Enters BGP mode and assigns the autonomous system number to the local BGP speaker. The <i>as-number</i> value range is from 1 to 65535.
Step 3	neighbor <i>ip-address</i> remote-as <i>as-number</i>	Enters neighbor configuration mode for BGP routing and configures the neighbor IP address.
Step 4	address-family { ipv4 ipv6 } { multicast unicast }	Enters router address family configuration for the specified address family.

	Command or Action	Purpose
Step 5	[no default] allowas-in [<i>allowas-in-cnt</i>]	Enables the allowas-in feature for BGP and configures the number of occurrences of the AS number. For allowas-in-cnt , enter an integer between 1 and 10. By default, the number of occurrences of the AS number is set to 3.
Step 6	end	Exits router address family configuration mode.
Step 7	(Optional) show running-config bgp	Displays the BGP configuration.
Step 8	copy running-config startup-config	Saves the change persistently through reboots and restarts by copying the running configuration to the startup configuration.

Example

This example shows how to configure the allowas-in feature for BGP and configure it for a unicast IPv4 address family:

```
switch# configure terminal
switch(config)# router bgp 77
switch(config-router)# neighbor 6.20.1.1 remote-as 66
switch(config-router-neighbor)# address-family ipv4 unicast
switch(config-router-neighbor-af)# allowas-in 5
switch(config-router-neighbor-af)# end
```

Configuring Route Reflector

You can configure iBGP peers as route reflector clients to the local BGP speaker, which acts as the route reflector. Together, a route reflector and its clients form a cluster. A cluster of clients usually has a single route reflector. In such instances, the cluster is identified by the router ID of the route reflector. To increase redundancy and avoid a single point of failure in the network, you can configure a cluster with more than one route reflector. You must configure all route reflectors in the cluster with the same 4-byte cluster ID so that a route reflector can recognize updates from route reflectors in the same cluster.

Before you begin

Ensure that you have enabled the BGP feature (see the [Enabling the BGP Feature](#) section).

SUMMARY STEPS

1. **configure terminal**
2. **router bgp** *as-number*
3. **cluster-id** *cluster-id*
4. **address-family** {*ipv4* | *ipv6*} { **unicast** | **multicast**}
5. (Optional) **client-to-client reflection**
6. **exit**
7. **neighbor** *ip-address* **remote-as** *as-number*

8. **address-family { ipv4 | ipv6 } { unicast | multicast }**
9. **route-reflector-client**
10. (Optional) **show bgp ip { unicast | multicast } neighbors**
11. (Optional) **copy running-config startup-config**

DETAILED STEPS

	Command or Action	Purpose
Step 1	configure terminal Example: <pre>switch# configure terminal switch(config)#</pre>	Enters global configuration mode.
Step 2	router bgp <i>as-number</i> Example: <pre>switch(config)# router bgp 65536 switch(config-router)#</pre>	Enters BGP mode and assigns the autonomous system number to the local BGP speaker.
Step 3	cluster-id <i>cluster-id</i> Example: <pre>switch(config-router)# cluster-id 192.0.2.1</pre>	Configures the local router as one of the route reflectors that serve the cluster. You specify a cluster ID to identify the cluster. This command triggers an automatic soft clear or refresh of BGP neighbor sessions.
Step 4	address-family { ipv4 ipv6 } { unicast multicast } Example: <pre>switch(config-router)# address-family ipv4 unicast switch(config-router-af)#</pre>	Enters router address family configuration mode for the specified address family.
Step 5	(Optional) client-to-client reflection Example: <pre>switch(config-router-af)# client-to-client reflection</pre>	Configures client-to-client route reflection. This feature is enabled by default. This command triggers an automatic soft clear or refresh of BGP neighbor sessions.
Step 6	exit Example: <pre>switch(config-router-neighbor)# exit switch(config-router)#</pre>	Exits router address configuration mode.
Step 7	neighbor <i>ip-address</i> remote-as <i>as-number</i> Example: <pre>switch(config-router)# neighbor 192.0.2.10 remote-as 65536 switch(config-router-neighbor)#</pre>	Configures the IP address and AS number for a remote BGP peer.
Step 8	address-family { ipv4 ipv6 } { unicast multicast } Example: <pre>switch(config-router-neighbor)# address-family ipv4 unicast switch(config-router-neighbor-af)#</pre>	Enters neighbor address family configuration mode for the specified address family.

	Command or Action	Purpose
Step 9	route-reflector-client Example: <pre>switch(config-router-neighbor-af) # route-reflector-client</pre>	Configures the switch as a BGP route reflector and configures the neighbor as its client. This command triggers an automatic notification and session reset for the BGP neighbor sessions.
Step 10	(Optional) show bgp ip { unicast multicast } neighbors Example: <pre>switch(config-router-neighbor-af) # show bgp ip unicast neighbors</pre>	Displays the BGP peers.
Step 11	(Optional) copy running-config startup-config Example: <pre>switch(config-router-neighbor-af) # copy running-config startup-config</pre>	Saves this configuration change.

Example

This example shows how to configure the router as a route reflector and add one neighbor as a client:

```
switch(config)# router bgp 65536
switch(config-router)# neighbor 192.0.2.10 remote-as 65536
switch(config-router-neighbor)# address-family ip unicast
switch(config-router-neighbor-af)# route-reflector-client
switch(config-router-neighbor-af)# copy running-config startup-config
```

Configuring Route Dampening

You can configure route dampening to minimize eBGP route flaps propagating through your iBGP network.

To configure route dampening, use the following command in address-family or VRF address family configuration mode:

Command	Purpose
dampening [{ <i>half-life reuse-limit suppress-limit max-suppress-time</i> route-map map-name }] Example : <pre>switch(config-router-af) # dampening route-map bgpDamp</pre>	Disables capabilities negotiation. The parameter values are as follows: <ul style="list-style-type: none"> • half-life—The range is from 1 to 45. • reuse-limit—The range is from 1 to 20000. • suppress-limit—The range is from 1 to 20000. • max-suppress-time—The range is from 1 to 255.

Configuring Load Sharing and ECMP

You can configure the maximum number of paths that BGP adds to the route table for equal-cost multipath load balancing.

To configure the maximum number of paths, use the following command in router address-family configuration mode:

Command	Purpose
maximum-paths [ibgp] <i>maxpaths</i> Example : <pre>switch(config-router-af)# maximum-paths 12</pre>	Configures the maximum number of equal-cost paths for load sharing. The range is from 1 to 16. The default is 1.

Configuring Maximum Prefixes

You can configure the maximum number of prefixes that BGP can receive from a BGP peer. If the number of prefixes exceeds this value, you can optionally configure BGP to generate a warning message or tear down the BGP session to the peer.

To configure the maximum allowed prefixes for a BGP peer, use the following command in neighbor address-family configuration mode:

Command	Purpose
maximum-prefix <i>maximum</i> [<i>threshold</i>] [restart <i>time</i> warming-only] Example : <pre>switch(config-router-neighbor-af)# maximum-prefix 12</pre>	Configures the maximum number of prefixes from a peer. The parameter ranges are as follows: <ul style="list-style-type: none"> • <i>maximum</i> —The range is from 1 to 300000. • <i>Threshold</i> —The range is from 1 to 100 percent. The default is 75 percent. • <i>time</i> —The range is from 1 to 65535 minutes. This command triggers an automatic notification and session reset for the BGP neighbor sessions if the prefix limit is exceeded.

Configuring Dynamic Capability

You can configure dynamic capability for a BGP peer.

To configure dynamic capability, use the following command in neighbor configuration mode:

Command	Purpose
dynamic-capability Example : <pre>switch(config-router-neighbor)# dynamic-capability</pre>	Enables dynamic capability. This command triggers an automatic notification and session reset for the BGP neighbor sessions. This command is enabled by default.

Configuring Aggregate Addresses

You can configure aggregate address entries in the BGP route table.

To configure an aggregate address, use the following command in router address-family configuration mode:

Command	Purpose
<p>aggregate-address <i>ip-prefix/length</i> [as-set] [summary-only] [advertise-map <i>map-name</i>] [attribute-map <i>map-name</i>] [suppress-map <i>map-name</i>]</p> <p>Example :</p> <pre>switch(config-router-af)# aggregate-address 192.0.2.0/8 as-set</pre>	<p>Creates an aggregate address. The path advertised for this route is an autonomous system set that consists of all elements contained in all paths that are being summarized:</p> <ul style="list-style-type: none"> • The as-set keyword generates autonomous system set path information and community information from contributing paths. • The summary-only keyword filters all more specific routes from updates. • The advertise-map keyword and argument specify the route map used to select attribute information from selected routes. • The attribute-map keyword and argument specify the route map used to select attribute information from the aggregate. • The suppress-map keyword and argument conditionally filters more specific routes.

Suppressing BGP Routes

You can configure Cisco NX-OS to advertise newly learned BGP routes only after these routes are confirmed by the Forwarding Information Base (FIB) and programmed in the hardware. After the routes are programmed, subsequent changes to these routes do not require this hardware-programming check. BGP route suppression is not enabled by default.



Note When you enable fib-suppression on the switch for routes that are not programmed locally in the hardware because of hardware table exhaustion, BGP advertises these failed routes even though they are not programmed locally in the hardware.

To suppress BGP routes, use the following command in the router configuration mode:

Command	Purpose
<p>suppress-fib-pending</p> <p>Example :</p> <pre>switch(config-router)# suppress-fib-pending</pre>	<p>Suppresses newly learned BGP routes (IPv4 or IPv6) from being advertised to downstream BGP neighbors until the routes have been programmed in the hardware.</p>

Configuring BGP Conditional Advertisement

You can configure BGP conditional advertisement to limit the routes that BGP propagates. You define the following two route maps:

- **Advertise map**—Specifies the conditions that the route must match before BGP considers the conditional advertisement. This route map can contain any appropriate match statements.
- **Exist map or nonexist map**—Defines the prefix that must exist in the BGP table before BGP propagates a route that matches the advertise map. The nonexist map defines the prefix that must not exist in the BGP table before BGP propagates a route that matches the advertise map. BGP processes only the permit statements in the prefix list match statements in these route maps.

If the route does not pass the condition, BGP withdraws the route if it exists in the BGP table.

Before you begin

Ensure that you have enabled the BGP feature (see the [Enabling the BGP Feature](#) section).

SUMMARY STEPS

1. **configure terminal**
2. **router bgp *as-number***
3. **neighbor *ip-address* remote-as *as-number***
4. **address-family { *ipv4* | *ipv6* } { *unicast* | *multicast* }**
5. **advertise-map *adv-map* { exist-map *exist-rmap* | non-exist-map *nonexist-rmap* }**
6. (Optional) **show ip bgp neighbor**
7. (Optional) **copy running-config startup-config**

DETAILED STEPS

	Command or Action	Purpose
Step 1	configure terminal Example: <pre>switch# configure terminal switch(config)#</pre>	Enters global configuration mode.
Step 2	router bgp <i>as-number</i> Example: <pre>switch(config)# router bgp 65536 switch(config-router)#</pre>	Enters BGP mode and assigns the autonomous system number to the local BGP speaker.
Step 3	neighbor <i>ip-address</i> remote-as <i>as-number</i> Example: <pre>switch(config-router)# neighbor 192.168.1.2 remote-as 65537 switch(config-router-neighbor)#</pre>	Places the router in neighbor configuration mode for BGP routing and configures the neighbor IP address.
Step 4	address-family { <i>ipv4</i> <i>ipv6</i> } { <i>unicast</i> <i>multicast</i> } Example: <pre>switch(config-router-neighbor)# address-family ipv4 multicast switch(config-router-neighbor-af)#</pre>	Enters address family configuration mode.

	Command or Action	Purpose
Step 5	<p>advertise-map <i>adv-map</i> { exist-map <i>exist-rmap</i> non-exist-map <i>nonexist-rmap</i> }</p> <p>Example:</p> <pre>switch(config-router-neighbor-af)# advertise-map advertise exist-map exist</pre>	<p>Configures BGP to conditionally advertise routes based on the two configured route maps:</p> <ul style="list-style-type: none"> • <i>adv-map</i>—Specifies a route map with match statements that the route must pass before BGP passes the route to the next route map. The <i>adv-map</i> is a case-sensitive, alphanumeric string up to 63 characters. • <i>exist-rmap</i>—Specifies a route map with match statements for a prefix list. A prefix in the BGP table must match a prefix in the prefix list before BGP will advertise the route. The <i>exist-rmap</i> is a case-sensitive, alphanumeric string up to 63 characters. • <i>nonexist-rmap</i>—Specifies a route map with match statements for a prefix list. A prefix in the BGP table must not match a prefix in the prefix list before BGP will advertise the route. The <i>nonexist-rmap</i> is a case-sensitive, alphanumeric string up to 63 characters.
Step 6	<p>(Optional) show ip bgp neighbor</p> <p>Example:</p> <pre>switch(config-router-neighbor-af)# show ip bgp neighbor</pre>	<p>Displays information about BGP and the configured conditional advertisement route maps.</p>
Step 7	<p>(Optional) copy running-config startup-config</p> <p>Example:</p> <pre>switch(config-router-neighbor-af)# copy running-config startup-config</pre>	<p>Saves this configuration change.</p>

Example

This example shows how to configure BGP conditional advertisement:

```
switch# configure terminal
switch(config)# router bgp 65536
switch(config-router)# neighbor 192.0.2.2 remote-as 65537
switch(config-router-neighbor)# address-family ipv4 unicast
switch(config-router-neighbor-af)# advertise-map advertise exist-map exist
switch(config-router-neighbor-af)# exit
switch(config-router-neighbor)# exit
switch(config-router)# exit
switch(config)# route-map advertise
switch(config-route-map)# match as-path pathList
switch(config-route-map)# exit
switch(config)# route-map exit
switch(config-route-map)# match ip address prefix-list plist
switch(config-route-map)# exit
switch(config)# ip prefix-list plist permit 209.165.201.0/27
```

Configuring Route Redistribution

You can configure BGP to accept routing information from another routing protocol and redistribute that information through the BGP network. Optionally, you can assign a default route for redistributed routes.

Before you begin

Ensure that you have enabled the BGP feature (see the [Enabling the BGP Feature](#) section).

SUMMARY STEPS

1. **configure terminal**
2. **router bgp** *as-number*
3. **address-family** { **ipv4** | **ipv6** } { **unicast** | **multicast** }
4. **redistribute** { **direct** | { **eigrp** | **ospf** | **ospfv3** | **rip** } *instance-tag* | **static** } **route-map** *map-name*
5. (Optional) **default-metric** *value*
6. (Optional) **copy running-config startup-config**

DETAILED STEPS

	Command or Action	Purpose
Step 1	configure terminal Example: switch# configure terminal switch(config)#	Enters global configuration mode.
Step 2	router bgp <i>as-number</i> Example: switch(config)# router bgp 65536 switch(config-router)#	Enters BGP mode and assigns the autonomous system number to the local BGP speaker.
Step 3	address-family { ipv4 ipv6 } { unicast multicast } Example: switch(config-router)# address-family ipv4 unicast switch(config-router-af)#	Enters address family configuration mode.
Step 4	redistribute { direct { eigrp ospf ospfv3 rip } <i>instance-tag</i> static } route-map <i>map-name</i> Example: switch(config-router-af)# redistribute eigrp 201 route-map Eigrpmap	Redistributes routes from other protocols into BGP. See the Configuring Route Maps section for more information about route maps.
Step 5	(Optional) default-metric <i>value</i> Example: switch(config-router-af)# default-metric 33	Generates a default route into BGP.
Step 6	(Optional) copy running-config startup-config Example:	Saves this configuration change.

	Command or Action	Purpose
	<code>switch(config-router-af)# copy running-config startup-config</code>	

Example

This example shows how to redistribute EIGRP into BGP:

```
switch# configure terminal
switch(config)# router bgp 65536
switch(config-router)# address-family ipv4 unicast
switch(config-router-af)# redistribute eigrp 201 route-map Eigrpmap
switch(config-router-af)# copy running-config startup-config
```

Disabling BGP Dampening with Redistribution

When an IGP metric of routes redistributed into BGP changes, BGP has internal dampening that prevents an immediate route update to the BGP peers. It affects how BGP handles IGP metric changes reported for redistributed routes. BGP dampens these changes through a batch process with a 10-minute delay. This command enables you to adjust that delay or remove it altogether for a quicker response to these changes.

SUMMARY STEPS

1. **configure terminal**
2. **router bgp *as-number***
3. **address-family { ipv4 | ipv6 } { unicast | multicast }**
4. **dampen-igp-metric *seconds***

DETAILED STEPS

	Command or Action	Purpose
Step 1	configure terminal Example: <code>switch# configure terminal</code> <code>switch(config)#</code>	Enters global configuration mode.
Step 2	router bgp <i>as-number</i> Example: <code>switch(config)# router bgp 65536</code> <code>switch(config-router)#</code>	Enters BGP mode and assigns the autonomous system number to the local BGP speaker.
Step 3	address-family { ipv4 ipv6 } { unicast multicast } Example: <code>switch(config-router)# address-family ipv4 unicast</code> <code>switch(config-router-af)#</code>	Enters address family configuration mode.
Step 4	dampen-igp-metric <i>seconds</i> Example:	Configures dampening of IGP metric-related changes for redistributed routes.

	Command or Action	Purpose
	<code>switch(config-router-af) # dampen-igp-metric 100</code>	

Example

This example shows how to configure BGP dampening for redistributed routes:

```
switch# configure terminal
switch(config)# router bgp 100
switch(config-router)# address-family ipv4 unicast
switch(config-router-af) # dampen-igp-metric 100
switch(config-router-af) #
```

Configuring Multiprotocol BGP

You can configure MP-BGP to support multiple address families, including IPv4 unicast and multicast routes.

Before you begin

Ensure that you have enabled the BGP feature (see the [Enabling the BGP Feature](#) section).

SUMMARY STEPS

1. **configure terminal**
2. **router bgp** *as-number*
3. **neighbor** *ip-address* **remote-as** *as-number*
4. **address-family** { **ipv4** | **ipv6** } { **unicast** | **multicast** }
5. (Optional) **copy running-config startup-config**

DETAILED STEPS

	Command or Action	Purpose
Step 1	configure terminal Example: <pre>switch# configure terminal switch(config) #</pre>	Enters global configuration mode.
Step 2	router bgp <i>as-number</i> Example: <pre>switch(config) # router bgp 65536 switch(config-router) #</pre>	Enters BGP mode and assigns the autonomous system number to the local BGP speaker
Step 3	neighbor <i>ip-address</i> remote-as <i>as-number</i> Example: <pre>switch(config-router) # neighbor 192.168.1.2 remote-as 65537 switch(config-router-neighbor) #</pre>	Places the router in neighbor configuration mode for BGP routing and configures the neighbor IP address.

	Command or Action	Purpose
Step 4	address-family { ipv4 ipv6 } { unicast multicast } Example: <pre>switch(config-router-neighbor)# address-family ipv4 multicast switch(config-router-neighbor-af)#</pre>	Enters address family configuration mode.
Step 5	(Optional) copy running-config startup-config Example: <pre>switch(config-router-neighbor-af)# copy running-config startup-config</pre>	Saves this configuration change.

Example

This example shows how to enable advertising and receiving IPv4 routes for multicast RPF for a neighbor:

```
switch# configure terminal
switch(config)# interface ethernet 1/2
switch(config-if)# ipv6 address 2001:0DB8::1
switch(config-if)# router bgp 65536
switch(config-router)# neighbor 192.168.1.2 remote-as 35537
switch(config-router-neighbor)# address-family ipv4 multicast
switch(config-router-neighbor-af)# exit
switch(config-router-neighbor)# address-family ipv6 multicast
switch(config-router-neighbor-af)# copy running-config startup-config
```

Configuring BGP Extended Community Site of Origin

To configure BGP extended community site of origin, use the following commands

Command	Purpose
router bgp <i>as-number</i> Example : <pre>switch(config)# router bgp 1 switch(config-router)#</pre>	Configures a BGP routing process and enters router configuration mode.
vrf <i>vrf-name</i> Example: <pre>switch(config-router)# vrf 450 switch(config-router-vrf)#</pre>	Enters the router VRF configuration mode and associates this BGP instance with a VRF.
neighbor ip-address remote-as <i>as-number</i> Example: <pre>switch(config-router-vrf)# neighbor 1::1 remote-as 2 switch(config-router-vrf-neighbor)#</pre>	Configures the IP address and AS number for a remote BGP peer.

Command	Purpose
address-family { ipv4 ipv6 } { multicast unicast } Example : <pre>switch(config-router-vrf-neighbor)# address-family ipv6 unicast switch(config-router-vrf-neighbor-af)#</pre>	Enters global address family configuration mode for the specified address family.
soo value Example: <pre>switch(config-router-vrf-neighbor-af)# soo 22:14</pre>	Configures the site of origin BGP extended community value. The value is in one of the following formats: <ul style="list-style-type: none"> • asn:number • IP address:number The number range is from 0 to 65535 for a 2-byte ASN or from 0 to 4294967295 for a 4-byte ASN.

Tuning BGP

You can modify the default behavior of BGP through BGP timers and by adjusting the best-path algorithm.

Configuring Virtualization

Before you begin

Ensure that you have enabled the BGP feature (see the [Enabling the BGP Feature](#) section).

SUMMARY STEPS

1. **configure terminal**
2. **vrf context** *vrf-name*
3. **exit**
4. **router bgp** *as-number*
5. **vrf** *vrf-name*
6. **neighbor** *ip-address* **remote-as** *as-number*
7. (Optional) **bestpath as-path multipath-relax**
8. (Optional) **copy running-config startup-config**

DETAILED STEPS

	Command or Action	Purpose
Step 1	configure terminal Example: <pre>switch# configure terminal switch(config)#</pre>	Enters configuration mode.

	Command or Action	Purpose
Step 2	vrf context <i>vrf-name</i> Example: <pre>switch(config)# vrf context RemoteOfficeVRF switch(config-vrf)#</pre>	Creates a new VRF and enters VRF configuration mode.
Step 3	exit Example: <pre>switch(config-vrf)# exit switch(config)#</pre>	Exits VRF configuration mode.
Step 4	router bgp <i>as-number</i> Example: <pre>switch(config)# router bgp 65536 switch(config-router)#</pre>	Creates a new BGP process with the configured autonomous system number.
Step 5	vrf <i>vrf-name</i> Example: <pre>switch(config-router)# vrf RemoteOfficeVRF switch(config-router-vrf)#</pre>	Enters the router VRF configuration mode and associates this BGP instance with a VRF.
Step 6	neighbor <i>ip-address remote-as as-number</i> Example: <pre>switch(config-router-vrf)# neighbor 209.165.201.1 remote-as 65536 switch(config-router--vrf-neighbor)#</pre>	Configures the IP address and AS number for a remote BGP peer.
Step 7	(Optional) bestpath as-path multipath-relax Example: <pre>switch(config-router-vrf)# bestpath as-path multipath-relax</pre>	Allows the switch to treat paths received from different autonomous systems for multipath, if their autonomous path lengths are the same and other multipath conditions are met.
Step 8	(Optional) copy running-config startup-config Example: <pre>switch(config-router-neighbor)# copy running-config startup-config</pre>	Saves this configuration change.

Example

This example shows how to create a VRF and configure the router ID in the VRF:

```
switch# configure terminal
switch(config)# vrf context NewVRF
switch(config-vrf)# exit
switch(config)# router bgp 65536
switch(config-router)# vrf NewVRF
switch(config-router-vrf)# neighbor 209.165.201.1 remote-as 65536
switch(config-router-vrf-neighbor)# copy running-config startup-config
```

BGP Graceful Shutdown

About BGP Graceful Shutdown

Beginning with release 9.3(1), BGP supports the graceful shutdown feature. This BGP feature works with the BGP **shutdown** command to:

- Dramatically decrease the network convergence time when a router or link is taken offline.
- Reduce or eliminate dropped packets that are in transit when a router or link is taken offline.

Despite the name, BGP graceful shutdown does not actually cause a shutdown. Instead, it alerts connected routers that a router or link will be going down soon.

The graceful shutdown feature uses the GRACEFUL_SHUTDOWN well-known community (0xFFFF0000 or 65535:0), which is identified by IANA and the IETF through RFC 8326. This well-known community can be attached to any routes, and it is processed like any other attribute of a route.

Because this feature announces that a router or link will be going down, the feature is useful in preparation of maintenance windows or planned outages. Use this feature before shutting down BGP to limit the impact on traffic.

Graceful Shutdown Aware and Activate

BGP routers can control the preference of all routes with the GRACEFUL_SHUTDOWN community through the concept of GRACEFUL SHUTDOWN awareness. Graceful shutdown awareness is enabled by default, which enables the receiving peers to deprefer incoming routes carrying the GRACEFUL_SHUTDOWN community. Although not a typical use case, you can disable and reenable graceful shutdown awareness through the **graceful-shutdown aware** command.

Graceful shutdown aware is applicable only at the BGP global context. For information about contexts, see [Graceful Shutdown Contexts, on page 57](#). The aware option operates with another option, the **activate** option, which you can assign to a route map for more granular control over graceful shutdown routes.

Interaction of the Graceful Shutdown Aware and Activate Options

When a graceful shutdown is activated, the GRACEFUL_SHUTDOWN community is appended to route updates only when you specify the **activate** keyword. At this point, new route updates that contain the community are generated and transmitted. When the **graceful-shutdown aware** command is configured, all routers that receive the community then deprefer (lower the route preference of) the routes in the update. Without the **graceful-shutdown aware** command, BGP does not deprefer routes with the GRACEFUL_SHUTDOWN community.

After the feature is activated and the routers are aware of graceful shutdown, BGP still considers the routes with the GRACEFUL_SHUTDOWN community as valid. However, those routes are given the lowest priority in the best-path calculation. If alternate paths are available, new best paths are chosen, and convergence occurs to accommodate the router or link that will soon go down.

Graceful Shutdown Contexts

BGP graceful shutdown feature has two contexts that determine what the feature affects and what functionality is available.

Context	Affects	Commands
Global	The entire switch and all routes processed by it. For example, readvertise all routes with the GRACEFUL_SHUTDOWN community.	graceful-shutdown activate [route-map route-map] graceful-shutdown aware
Peer	A BGP peer or a link between neighbors. For example, advertise only one link between peers with GRACEFUL_SHUTDOWN community.	graceful-shutdown activate [route-map route-map]

Graceful Shutdown with Route Maps

Graceful shutdown works with the route policy manager (RPM) feature to control how the switch's BGP router transmits and receives routes with the GRACEFUL_SHUTDOWN community. Route maps can process route updates with the community in the inbound and outbound directions. Typically, route maps are not required. However, if needed, you can use them to customize the control of graceful shutdown routes.

Normal Inbound Route Maps

Normal inbound route maps affect routes that are incoming to the BGP router. Normal inbound route maps are not commonly used with the graceful shutdown feature because routers are aware of graceful shutdown by default.

Cisco Nexus switches running Cisco NX-OS Release 9.3(1) and later do not require an inbound route map for the graceful shutdown feature. Cisco NX-OS Release 9.3(1) and later have implicit inbound route maps that automatically deprefer any routes that have the GRACEFUL_SHUTDOWN community if the BGP router is graceful shutdown aware.

Normal inbound route maps can be configured to match against the well-known GRACEFUL_SHUTDOWN community. Although these inbound route maps are not common, there are some cases where they are used:

- If switches are running a Cisco NX-OS release earlier than 9.3(1), they do not have the implicit inbound route map present in NX-OS 9.3(1). To use the graceful shutdown feature on these switches, you must create a graceful shutdown inbound route map. The route map must match inbound routes with the well-known GRACEFUL_SHUTDOWN community, permit them, and deprefer them. If an inbound route map is needed, create it on the BGP peer that is running a version of NX-OS earlier than 9.3(1) and is receiving the graceful shutdown routes.
- If you want to disable graceful shutdown aware, but still want the router to act on incoming routes with GRACEFUL_SHUTDOWN community from some BGP neighbors, you can configure an inbound route map under the respective peers.

Normal Outbound Route Maps

Normal outbound route maps control forwarding the routes that a BGP router sends. Normal outbound route maps can affect the graceful shutdown feature. For example, you can configure an outbound route map to match on the GRACEFUL_SHUTDOWN community and set attributes, and it takes precedence over any graceful shutdown outbound route maps.

Graceful Shutdown Outbound Route Maps

Outbound Graceful shutdown route maps are specific type of outbound route map for the graceful shutdown feature. They are optional, but they are useful when you already have a community list that is associated with a route map. The typical graceful shutdown outbound route map contains only `set` clauses to set or modify certain attributes.

You can use outbound route maps in the following ways:

- For customers that already have existing outbound route maps, you can add a new entry with a higher sequence number, match on the GRACEFUL_SHUTDOWN well-known community, and add any attributes that you want.
- You can also use a graceful shutdown outbound route map with the **graceful-shutdown activate route-map *name*** option. This is the typical use case.

This route map requires no match clauses, so the route map matches on all routes being sent to the neighbor.

Route Map Precedence

When multiple route maps are present on the same router, the following order of precedence is applied to determine how routes with the community are processed: Consider the following example. Assume you have a standard outbound route map name Red that sets a local-preference of 60. Also, assume you have a peer graceful-shutdown route map that is named Blue that sets local-pref to 30. When the route update is processed, the local preference will be set to 60 because Red overwrites Blue.

- Normal outbound route maps take precedence over peer graceful shutdown maps.
- Peer graceful shutdown maps take precedence over global graceful shutdown maps.

Guidelines and Limitations

The following are limitations and guidelines for BGP global shutdown:

- Graceful shutdown feature can only help avoid traffic loss when alternative routes exist in the network for the affected routers. If the router has no alternate routes, routes carrying the GRACEFUL_SHUTDOWN community are the only ones available, and therefore, are used in the best-path calculation. This situation defeats the purpose of the feature.
- Configuring a BGP send community is required to send the GRACEFUL_SHUTDOWN community.
- For route maps:
 - When global route maps and neighbor route maps are configured, the per-neighbor route maps take precedence.
 - Outbound route maps take precedence over any global route maps configured for graceful shutdown.

- Outbound route maps take precedence over any peer route maps configured for graceful shutdown.
- To add the graceful shutdown functionality to legacy (existing) inbound route maps, follow this order:
 1. Add the graceful shutdown match clause to the top of the route map by setting a low sequence number for the clause (for example, sequence number 0).
 2. Add a continue statement after the graceful shutdown clause. If you omit the continue statement, route-map processing stops when it matches the graceful shutdown clause, any other clauses with higher sequence numbers (for example, 1 and higher) are not processed.

Graceful Shutdown Task Overview

To use the graceful shutdown feature, you typically enable graceful-shutdown aware on all Cisco Nexus switches and leave the feature enabled. When a BGP router must be taken offline, you configure graceful-shutdown activate on it.

The following details document the best practice for using the graceful shutdown feature.

To bring the router or link down:

1. Configure the Graceful Shutdown feature.
2. Watch the neighbor for the best path.
3. When the best path is recalculated, issue the **shutdown** command to disable BGP.
4. Perform the work that required you to shut down the router or link.

To bring the router or link back online:

1. When you finish the work that required the shutdown, reenable BGP (**no shutdown**).
2. Disable the graceful shutdown feature (**no graceful-shutdown activate** in config router mode).

Configuring Graceful Shutdown on a Link

This task enables you to configure graceful shutdown on a specific link between two BGP routers.

Before you begin

If you have not already enabled BGP, enable it now (**feature bgp**).

SUMMARY STEPS

1. **config terminal**
2. **router bgp** *autonomous-system-number*
3. **neighbor** { *ipv4-address|ipv6-address* } **remote-as** *as-number*
4. **graceful-shutdown activate** [**route-map** *map-name*]

DETAILED STEPS

	Command or Action	Purpose
Step 1	config terminal Example: switch-1# configure terminal switch-1(config)#	Enters global configuration mode.
Step 2	router bgp <i>autonomous-system-number</i> Example: switch-1(config)# router bgp 110 switch-1(config-router)#	Enters router configuration mode to create or configure a BGP routing process.
Step 3	neighbor { <i>ipv4-address ipv6-address</i> } remote-as <i>as-number</i> Example: switch-1(config-router)# neighbor 10.0.0.3 remote-as 200 switch-1(config-router-neighbor)#	Configures the autonomous system (AS) to which the neighbor belongs.
Step 4	graceful-shutdown activate [route-map <i>map-name</i>] Example: switch-1(config-router-neighbor)# graceful-shutdown activate route-map gshutPeer switch-1(config-router-neighbor)#	Configures graceful shutdown on the link to the neighbor. Also, advertises the routes with the well-known GRACEFUL_SHUTDOWN community and applies the route map to the outbound route updates. The routes are advertised with the graceful-shutdown community by default. In this example, routes are advertised to the neighbor with the Graceful-shutdown community with a route-map named gshutPeer. The devices receiving the gshut community look at the communities of the route and optionally use the communities to apply routing policy.

Filtering BGP Routes and Setting Local Preference Based On GRACEFUL_SHUTDOWN Communities

Switches that are not yet running 9.3(1) do not have an inbound route map that matches against the GRACEFUL_SHUTDOWN community name. Therefore, they have no way of identifying and depreffering the correct routes.

For switches running a release of NX-OS that is earlier than 9.3(1), you must configure an inbound route map that matches on the community value for graceful shutdown (65535:0) and depreffers routes.

If your switch is running 9.3(1) or later, you do not need to configure an inbound route map.

SUMMARY STEPS

- configure terminal**
- ip community list standard *community-list-name seq sequence-number* { permit | deny } *value***

3. **route map** *map-tag* {deny | permit} *sequence-number*
4. **match community** *community-list-name*
5. **set local-preference** *local-pref-value*
6. **exit**
7. **router bgp** *community-list-name*
8. **neighbor** { *ipv4-address*|*ipv6-address* }
9. **address-family** { *address-family* *sub family* }
10. **send community**
11. **route map** *map-tag* **in**

DETAILED STEPS

	Command or Action	Purpose
Step 1	configure terminal Example: <pre>switch-1# configure terminal switch-1(config)#</pre>	Enters global configuration mode.
Step 2	ip community list standard <i>community-list-name</i> seq <i>sequence-number</i> { permit deny } <i>value</i> Example: <pre>switch-1(config)# ip community-list standard GSHUT seq 10 permit 65535:0 switch-1(config)#</pre>	Configures a community list and permits or denies routes that have the well-known graceful shutdown community value.
Step 3	route map <i>map-tag</i> {deny permit} <i>sequence-number</i> Example: <pre>switch-1(config)# route-map RM_GSHUT permit 10 switch-1(config-route-map)#</pre>	Configures a route map as sequence 10 and permits routes that have the GRACEFUL_SHUTDOWN community.
Step 4	match community <i>community-list-name</i> Example: <pre>switch-1(config-route-map)# match community GSHUT switch-1(config-route-map)#</pre>	Configures that routes that match the IP community list GSHUT are processed by Route Policy Manager (RPM).
Step 5	set local-preference <i>local-pref-value</i> Example: <pre>switch-1(config-route-map)# set local-preference 10 switch-1(config-route-map)#</pre>	Configures that the routes that match the IP community list GSHUT will be given a specified local preference.
Step 6	exit Example: <pre>switch-1(config-route-map)# exit switch-1(config)#</pre>	Leaves route map configuration and returns to global configuration mode.
Step 7	router bgp <i>community-list-name</i> Example:	Enters router configuration mode and creates a BGP instance.

	Command or Action	Purpose
	switch-1 (config) # router bgp 100 switch-1 (config-router) #	
Step 8	neighbor { ipv4-address ipv6-address } Example: switch-1 (config-router) # neighbor 10.0.0.3 switch-1 (config-router-neighbor) #	Enters route BGP neighbor mode for a specified neighbor.
Step 9	address-family { address-family sub family } Example: nxosv2 (config-router-neighbor) # address-family ipv4 unicast nxosv2 (config-router-neighbor-af) #	Puts the neighbor into address family (AF) configuration mode.
Step 10	send community Example: nxosv2 (config-router-neighbor-af) # send-community nxosv2 (config-router-neighbor-af) #	Enables BGP community exchange with the neighbor.
Step 11	route map map-tag in Example: nxosv2 (config-router-neighbor-af) # route-map RM_GSHUT in nxosv2 (config-router-neighbor-af) #	Applies the route map to incoming routes from the neighbor. In this example, the route map that is named RM_GSHUT permits routes with the GRACEFUL_SHUTDOWN community from the neighbor.

Configuring Graceful Shutdown for All BGP Neighbors

You can manually apply the GRACEFUL_SHUTDOWN well-known community to all the neighbors of a graceful shutdown initiator.

You can configure graceful shutdown at the global level for all BGP neighbors.

Before you begin

If you have not already enabled BGP, enable it now (**feature bgp**).

SUMMARY STEPS

1. **configure terminal**
2. **router bgp** *autonomous-system-number*
3. **graceful-shutdown activate** [**route-map** *map-name*]

DETAILED STEPS

	Command or Action	Purpose
Step 1	configure terminal Example:	Enters global configuration mode.

	Command or Action	Purpose
	switch-1# configure terminal switch-1(config)#	
Step 2	router bgp <i>autonomous-system-number</i> Example: switch-1(config)# router bgp 110 switch-1(config-router)#	Enters router configuration mode to create or configure a BGP routing process.
Step 3	graceful-shutdown activate [<i>route-map map-name</i>] Example: switch-1(config-router-neighbor)# graceful-shutdown activate route-map gshutPeer switch-1(config-router-neighbor)#	Configures graceful shutdown route map for the links to all neighbors. Also, advertises all routes with the well-known GRACEFUL_SHUTDOWN community and applies the route map to the outbound route updates. The routes are advertised with the GRACEFUL_SHUTDOWN community by default. In this example, routes are advertised to all neighbors with the community with a route-map named gshutPeer. The route map should contain only set clauses. The devices receiving the GRACEFUL_SHUTDOWN community look at the communities of the route and optionally use the communities to apply routing policy.

Controlling the Preference for All Routes with the GRACEFUL_SHUTDOWN Community

Cisco NX-OS enables lowering the preference of incoming routes that have the GRACEFUL_SHUTDOWN community. When **graceful shutdown aware** is enabled, BGP considers routes carrying the community as the lowest preference during best path calculation. By default, lowering the preference is enabled, but you can selectively disable this option.

Whenever you enable or disable this option, you trigger a BGP best-path calculation. This option gives you the flexibility to control the behavior of the BGP best-path calculation for the graceful shutdown well-known community.

Before you begin

If you have not enabled BGP, enable it now (**feature bgp**).

SUMMARY STEPS

1. **configure terminal**
2. **router bgp** *autonomous-system*
3. (Optional) **no graceful-shutdown aware**

DETAILED STEPS

	Command or Action	Purpose
Step 1	configure terminal Example: <pre>switch-1(config)# config terminal switch-1(config)#</pre>	Enters global configuration mode.
Step 2	router bgp <i>autonomous-system</i> Example: <pre>switch-1(config)# router bgp 100 switch-1(config-router)#</pre>	Enters router configuration mode and configures a BGP routing process.
Step 3	(Optional) no graceful-shutdown aware Example: <pre>switch-1(config-router)# no graceful-shutdown aware switch-1(config-router)#</pre>	For this BGP router, do not give lower preference for all routes that have the GRACEFUL_SHUTDOWN community. The default action is to deprefer routes when the graceful shutdown aware feature is disabled, so using the no form of the command is optional for not deprefering graceful shutdown routes.

Preventing Sending the GRACEFUL_SHUTDOWN Community to a Peer

If you no longer need the GRACEFUL_SHUTDOWN community that is appended as a route attribute to outbound route updates, you can remove the community, which no longer sends it to a specified neighbor. One use case would be when a router is at an autonomous system boundary, and you do not want the graceful shutdown functionality to propagate outside of an autonomous system boundary.

To prevent sending the GRACEFUL_SHUTDOWN to a peer, you can disable the send community option or strip the community from the outbound route map.

Choose either of the following methods:

- Disable the send-community in the running config.

Example:

```
nxosv2(config-router-neighbor-af)# no send-community standard
nxosv2(config-router-neighbor-af)#
```

If you use this option, the GRACEFUL_SHUTDOWN community is still received by the switch, but it is not sent to the downstream neighbor through the outbound route map. All standard communities are not sent either.

- Delete the GRACEFUL_SHUTDOWN community through an outbound route map by following these steps:
 1. Create an IP community list matches the GRACEFUL_SHUTDOWN community.
 2. Create an outbound route map to match against the GRACEFUL_SHUTDOWN community.
 3. Use a **set community-list delete** clause to strip GRACEFUL_SHUTDOWN community.

If you use this option, the community list matches and permits the GRACEFUL_SHUTDOWN community, then the outbound route map matches against the community and then deletes it from the outbound route map. All other communities pass through the outbound route map without issue.

Displaying Graceful Shutdown Information

Information about the graceful shutdown feature is available through the following **show** commands.

Command	Action
show ip bgp community-list graceful-shutdown	Shows all entries in the BGP routing table that have the GRACEFUL_SHUTDOWN community.
show running-config bgp	Shows the running BGP configuration.
show running-config bgp all	Shows all information for the running BGP configuration including information about the graceful shutdown feature.
show bgp <i>address-family</i> neighbors <i>neighbor-address</i>	When the feature is configured for the peer, shows the following: <ul style="list-style-type: none"> • The state of the graceful-shutdown-activate feature for the specified neighbor • The name of any graceful shutdown route map configured for the specified neighbor
show bgp process	Shows different information depending on the context. <p>When the graceful-shutdown-activate option is configured in peer context, shows the enabled or disabled state for the feature through <code>graceful-shutdown-active</code>.</p> <p>When the graceful-shutdown-activate option is configured in global context and has a graceful-shutdown route map, shows the enabled state of the feature through the following:</p> <ul style="list-style-type: none"> • <code>graceful-shutdown-active</code> • <code>graceful-shutdown-aware</code> • <code>graceful-shutdown route-map</code>
show ip bgp <i>address</i>	For the specified address, shows the BGP routing table information, including the following: <ul style="list-style-type: none"> • The state of the specified address as the best path • Whether the specified address is part of the GRACEFUL_SHUTDOWN community

Graceful Shutdown Configuration Examples

These examples show some configurations for using the graceful shutdown feature.

Configuring Graceful Shutdown for a BGP Link

The following example shows how to configure graceful shutdown while setting a local preference and a community:

- Configuring graceful shutdown activate for the link to the specified neighbor
- Adding the GRACEFUL_SHUTDOWN community to the routes
- Setting a route map named gshutPeer with only set clauses for outbound routes with the community.

```
router bgp 100
  neighbor 20.0.0.3 remote-as 200
    graceful-shutdown activate route-map gshutPeer
    address-family ipv4 unicast
      send-community

route-map gshutPeer permit 10
  set local-preference 0
  set community 200:30
```

Configuring Graceful Shutdown for All-Neighbor BGP Links

The following example shows:

- Configuring graceful shutdown activate for all the links connecting the local router and all its neighbors.
- Adding the GRACEFUL_SHUTDOWN community to the routes.
- Setting a route map that is named gshutAall with only set clauses for all outbound routes.

```
router bgp 200
  graceful-shutdown activate route-map gshutAll

route-map gshutAll permit 10
  set as-path prepend 10 100 110
  set community 100:80

route-map Red permit 10
  set local-pref 20

router bgp 100
  graceful-shutdown activate route-map gshutAll
  router-id 2.2.2.2
  address-family ipv4 unicast
    network 2.2.2.2/32
  neighbor 1.1.1.1 remote-as 100
    update-source loopback0
  address-family ipv4 unicast
    send-community
  neighbor 20.0.0.3 remote-as 200
  address-family ipv4 unicast
    send-community
  route-map Red out
```

In this example, the gshutAll route-map takes effect for neighbor 1.1.1.1, but not neighbor 20.0.0.3, because the outbound route-map Red configured under neighbor 20.0.0.3 takes precedence instead.

Configuring Graceful Shutdown Under a Peer-Template

This example configures the graceful shutdown feature under a peer-session template, which is inherited by a neighbor.

```
router bgp 200
  template peer-session p1
    graceful-shutdown activate route-map gshut_out
  neighbor 1.1.1.1 remote-as 100
    inherit peer-session p1
    address-family ipv4 unicast
    send-community
```

Filtering BGP Routes and Setting Local Preference Based on GRACEFUL_SHUTDOWN Community Using and Inbound Route Map

This example shows how to use a community list to filter the incoming routes that have the GRACEFUL_SHUTDOWN community. This configuration is useful for legacy switches that are not running Cisco NX-OS 9.3(1) as a minimum version.

The following example shows:

- An IP Community List that permits routes that have the GRACEFUL_SHUTDOWN community.
- A route map that is named RM_GSHUT that permits routes based on a standard community list named GSHUT.
- The route map also sets the preference for the routes it processes to 0 so that those routes are given lower preference for best path calculation when the router goes offline. The route map is applied to incoming IPv4 routes from the neighbor (20.0.0.2).

```
ip community-list standard GSHUT permit 65535:0

route-map RM_GSHUT permit 10
  match community GSHUT
  set local-preference 0

router bgp 200
  neighbor 20.0.0.2 remote-as 100
    address-family ipv4 unicast
    send-community
    route-map RM_GSHUT in
```

Configuring a Graceful Restart

You can configure a graceful restart and enable the graceful restart helper feature for BGP.



Note Cisco NX-OS Release 10.1(1) supports a higher number of BFD sessions. If BGP sessions are associated with BFD, the BGP **restart-time** may need to be increased to maintain peer connection during ISSU.

Before you begin

You must enable BGP (see the "Enabling BGP" section).

Create the VRFs.

SUMMARY STEPS

1. **configure terminal**
2. **router bgp *as-number***
3. (Optional) **timers prefix-peer-timeout *timeout***
4. **graceful-restart**
5. **graceful-restart {restart-time *time*|stalepath-time *time*}**
6. **graceful-restart-helper**
7. (Optional) **show running-config bgp**
8. (Optional) **copy running-config startup-config**

DETAILED STEPS

	Command or Action	Purpose
Step 1	configure terminal Example: <pre>switch# configure terminal switch(config)#</pre>	Enters configuration mode.
Step 2	router bgp <i>as-number</i> Example: <pre>switch(config)# router bgp 65535 switch(config-router)#</pre>	Creates a new BGP process with the configured autonomous system number.
Step 3	(Optional) timers prefix-peer-timeout <i>timeout</i> Example: <pre>switch(config-router)# timers prefix-peer-timeout 20</pre>	Configures the timeout value (in seconds) for BGP prefix peers. The default value is 90 seconds. Note This command is supported beginning with Cisco NX-OS Release 9.3(3).
Step 4	graceful-restart Example: <pre>switch(config-router)# graceful-restart</pre>	Enables a graceful restart and the graceful restart helper functionality. This command is enabled by default. This command triggers an automatic notification and session reset for the BGP neighbor sessions.
Step 5	graceful-restart {restart-time <i>time</i> stalepath-time <i>time</i>} Example: <pre>switch(config-router)# graceful-restart restart-time 300</pre>	Configures the graceful restart timers. The optional parameters are as follows: <ul style="list-style-type: none"> • restart-time—Maximum time for a restart sent to the BGP peer. The range is from 1 to 3600 seconds. The default is 120. Note Cisco NX-OS Release 10.1(1) supports a higher number of BFD sessions. If BGP sessions are associated with BFD, the BGP restart-time may need to be increased to maintain peer connection during ISSU.

	Command or Action	Purpose
		<ul style="list-style-type: none"> • stalepath-time—Maximum time that BGP keeps the stale routes from the restarting BGP peer. The range is from 1 to 3600 seconds. The default is 300. <p>Prior to NX-OS software release 9.3(3), a manual reset of a BGP session is needed for the BGP session to advertise Graceful Restart capabilities. For NX-OS software releases 9.3(3) and later, BGP sessions dynamically advertise Graceful Restart capabilities without needing to restart the BGP sessions when this command is enabled.</p>
Step 6	graceful-restart-helper Example: <pre>switch(config-router)# graceful-restart restart-time 300</pre>	<p>With BGP GR disabled, the N9K itself will not necessarily preserve its own forwarding state during certain GR-capable events like SSO, BGP process restart, etc. occurring locally on the N9K. However, as a GR helper, it will support a peer that has advertised its GR capability and is restarting. This means, when the N9K detects the peering has gone down (other than a holdtimer expiration or receipt of a Notification message), the N9K will stale the routes pointing to the peer and will wait for the peer's EOR (or stalepath timeout). When the peer restarts and re-establishes its peering with the N9K, it will re-advertise all its own routes and the N9K will refresh them in its BGP and routing tables. On receipt of the EOR from the peer or the stalepath timeout (whichever occurs first), the N9K will flush any remaining stale routes from that peer. In the absence of helper mode, the N9K would instantly clear out the routes learnt from the remote peer that was restarting which could lead to traffic loss.</p>
Step 7	(Optional) show running-config bgp Example: <pre>switch(config-router)# show running-config bgp</pre>	Displays the BGP configuration.
Step 8	(Optional) copy running-config startup-config Example: <pre>switch(config-router)# copy running-config startup-config</pre>	Saves this configuration change.

Example

This example shows how to enable a graceful restart:

```
switch# configure terminal
switch(config)# router bgp 65536
switch(config-router)# graceful-restart
switch(config-router)# graceful-restart restart-time 300
switch(config-router)# copy running-config startup-config
```

Verifying the Advanced BGP Configuration

To display the BGP configuration information, perform one of the following tasks:

Command	Purpose
show bgp all [summary] [vrf vrf-name]	Displays the BGP information for all address families.
show bgp convergence [vrf vrf-name]	Displays the BGP information for all address families.
show bgp ip {unicast} [<i>ip-address</i>] community { regexp expression [community] [no-advertise] [no-export] [no-export-subconfed] } [vrf vrf-name]	Displays the BGP routes that match a BGP community.
show bgp [vrf vrf-name] ip {unicast} [<i>ip-address</i>] community-list list-name [vrf vrf-name]	Displays the BGP routes that match a BGP community list.
show bgp ip {unicast} [<i>ip-address</i>] extcommunity { regexp expression generic [non-transitive transitive] aa4:nn [exact-match] } [vrf vrf-name]	Displays the BGP routes that match a BGP extended community.
show bgp ip {unicast} [<i>ip-address</i>] extcommunity-list list-name [exact-match] [vrf vrf-name]	Displays the BGP routes that match a BGP extended community list.
show bgp ip {unicast} [<i>ip-address</i>] { dampening dampened-paths [regexp expression] } [vrf vrf-name]	Displays the information for BGP route dampening. Use the clear bgp dampening command to clear the route flap dampening information.
show bgp ip {unicast} [<i>ip-address</i>] history-paths [regexp expression] [vrf vrf-name]	Displays the BGP route history paths.
show bgp ip {unicast} [<i>ip-address</i>] filter-list list-name [vrf vrf-name]	Displays the information for the BGP filter list.
show bgp ip {unicast} [<i>ip-address</i>] neighbors [<i>ip-address</i>] [vrf vrf-name]	Displays the information for BGP peers. Use the clear bgp neighbors command to clear these neighbors.
show bgp ip {unicast} [<i>ip-address</i>] { nexthop nexthop-database } [vrf vrf-name]	Displays the information for the BGP route next hop.
show bgp paths	Displays the BGP path information.
show bgp ip {unicast} [<i>ip-address</i>] policy name [vrf vrf-name]	Displays the BGP policy information. Use the clear bgp policy command to clear the policy information.
show bgp ip {unicast} [<i>ip-address</i>] prefix-list list-name [vrf vrf-name]	Displays the BGP routes that match the prefix list.
show bgp ip {unicast} [<i>ip-address</i>] received-paths [vrf vrf-name]	Displays the BGP paths stored for soft reconfiguration.

Command	Purpose
show bgp ip {unicast} [<i>ip-address</i>] regex <i>expression</i> [vrf <i>vrf-name</i>]	Displays the BGP routes that match the AS_path regular expression.
show bgp ip {unicast} [<i>ip-address</i>] route-map <i>map-name</i> [vrf <i>vrf-name</i>]	Displays the BGP routes that match the route map.
show bgp peer-policy <i>name</i> [vrf <i>vrf-name</i>]	Displays the information about BGP peer policies.
show bgp peer-session <i>name</i> [vrf <i>vrf-name</i>]	Displays the information about BGP peer sessions.
show bgp peer-template <i>name</i> [vrf <i>vrf-name</i>]	Displays the information about BGP peer templates. Use the clear bgp peer-template command to clear all neighbors in a peer template.
show bgp process	Displays the BGP process information.
show ip bgp <i>options</i>	Displays the BGP status and configuration information. This command has multiple options. See the Cisco Nexus 3000 Series Command Reference for more information.
show ip mbgp <i>options</i>	Displays the BGP status and configuration information. This command has multiple options. See the Cisco Nexus 3000 Series Command Reference for more information.
show running-configuration bgp	Displays the current running BGP configuration.

Displaying BGP Statistics

To display BGP statistics, use the following commands:

Command	Purpose
show bgp ip {unicast} [<i>ip-address</i>] flap-statistics [vrf <i>vrf-name</i>]	Displays the BGP route flap statistics. Use the clear bgp flap-statistics command to clear these statistics.
show bgp sessions [vrf <i>vrf-name</i>]	Displays the BGP sessions for all peers. Use the clear bgp sessions command to clear these statistics.
show bgp sessions [vrf <i>vrf-name</i>]	Displays the BGP sessions for all peers. Use the clear bgp sessions command to clear these statistics.
show bgp statistics	Displays the BGP statistics.

Related Topics

The following topics can give more information on BGP:

- [Configuring Route Policy Manager](#)

Additional References

For additional information related to implementing BGP, see the following sections:

MIBs

MIBs	MIBs Link
BGP4-MIB CISCO-BGP4-MIB	To locate and download MIBs, go to the following: MIB Locator .