



## Installing Agent-based OpenShift 4.21 on a Bare Metal Server

[New and Changed Information](#) 2

[Agent-based OpenShift 4.21 on Bare Metal](#) 2

[Requirements for supporting OpenShift 4.21 on a Bare Metal Server](#) 2

[Installation Process](#) 4

[Scaling Agent-based Installation with Bare Metal Operator](#) 12

Revised: May 27, 2026

## New and Changed Information

The following table provides an overview of the significant changes up to this current release. The table does not provide an exhaustive list of all changes or of the new features up to this release.

Cisco ACI CNI plug-in Release Version	Feature
6.1(1)	Cisco Application Centric Infrastructure (ACI) supports Red Hat Agent-based OpenShift on a bare metal server.

### Agent-based Openshift 4.21 on Bare Metal

This document pertains to installing OCP with the ACI CNI. However, to identify and resolve issues in your infrastructure not related to the ACI CNI, see the relevant installation guide to first install OCP on your bare metal nodes using the default OVN Kubernetes. *You can check the OpenShift 4.21 container platform documentation.*



---

**Note** This document can not be used standalone. This document should be used along with the *Red Hat OpenShift 4.21 Installing an on-premise cluster with the agent-based installer* document to perform the OpenShift cluster installation.

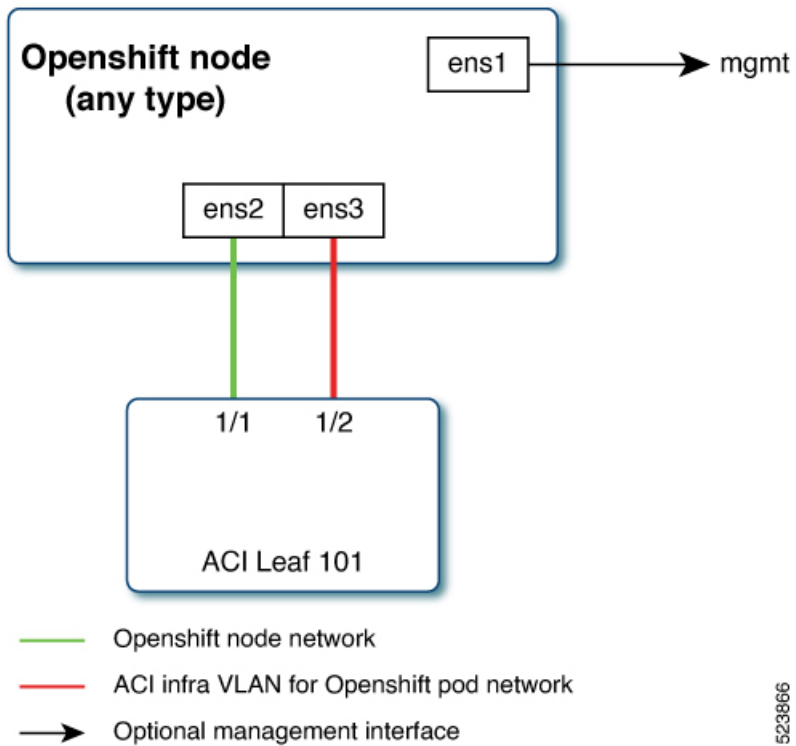
---

### Requirements for supporting OpenShift 4.21 on a Bare Metal Server

At least two network interfaces are required for bare metal nodes, one for the node network, and the second for the pod network. The design separates OpenShift node traffic from the pod traffic. There are two options available to achieve separation, resulting in control and compute machines each having two network interfaces:

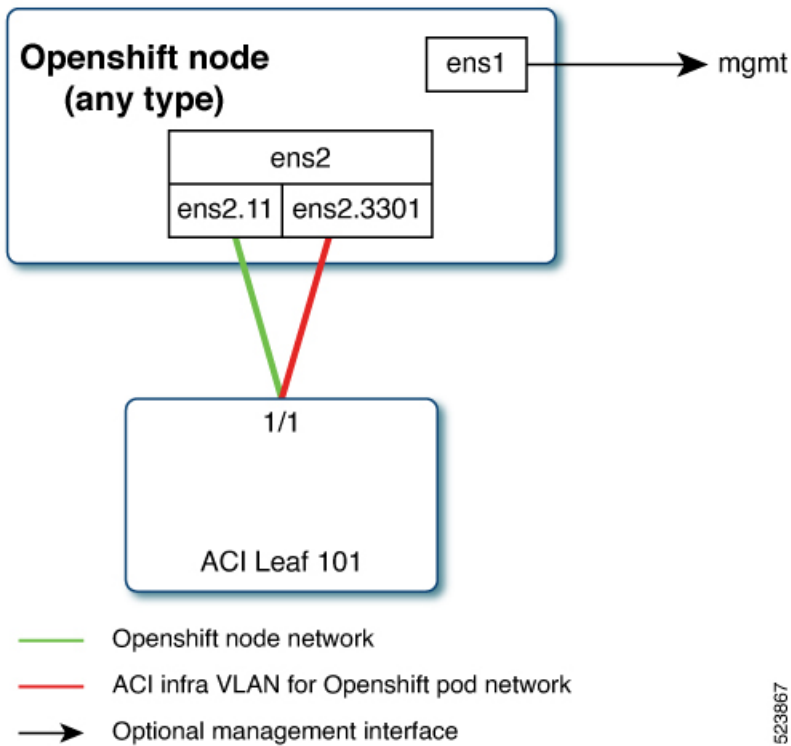
- Separate physical interface for node and infra networks
- Single Sub interface for both node and infra networks

**Separate physical interface for node and infra networks**



The first interface is used for the node network and the second one is used for the pod network. The second interface also carries Cisco ACI control plane traffic. A VLAN tagged subinterface can be configured on the second interface to carry the cluster's pod traffic and also the Cisco ACI control plane traffic.

**Single Sub interface for both node and infra networks**



The node network and pod network are configured as VLAN subinterface of either bond0 or physical NIC. You can configure the server with additional VLAN(s) for management purpose or use the node network for management network. The design might be dependent on the server provisioning method (PXE or manual ISO boot).

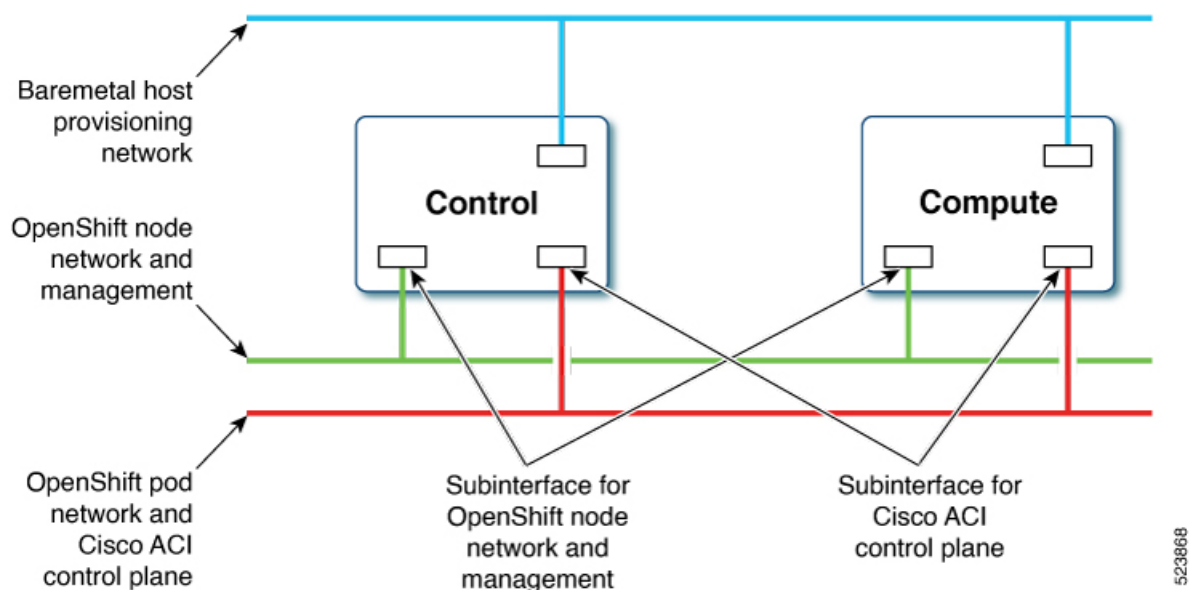
## Installation Process

The following sections detail the steps required to install the OpenShift cluster using the ACI CNI.

- [Configuring the OpenShift Installer](#) , on page 5
- [Configuring ACI Infra and CNI](#) , on page 8
- [Preparing Custom Network Configuration for OpenShift Nodes](#), on page 9

The image below illustrates the various types of networks utilized in the installation process.

At least two network interfaces are necessary for bare metal nodes: one for the node network and the other for the pod network. This design segregates OpenShift node traffic from pod traffic. A third interface is configured for the private network, essential for provisioning bare metal hosts.



## Configuring the OpenShift Installer

Use this procedure to configure the OpenShift installer. The installation will use a 3 node-cluster (control will have scheduling enabled). For scaling nodes post installation, see the section, *Scaling Agent-Based Installation with the Bare Metal Operator*.

### Before you begin

Download the OpenShift installer and OC client.

For details of the location from where you can download the installer , see the OpenShift 4.21 document titled, *Installing an on-premise cluster with the Agent-based Installer*.

### Procedure

**Step 1** Create the `install-config.yaml` file.

```

apiVersion: v1
baseDomain: noiro.local
proxy:
  httpsProxy: <http-proxy>
  httpProxy: <https-proxy>
  noProxy: <no-proxy>
compute:
- name: worker
  replicas: 0
controlPlane:
  name: master
  replicas: 3
metadata:
  name: ocpbml
networking:
  machineNetwork:
  - cidr: 192.168.1.0/24
  clusterNetwork:

```

```

- cidr: 10.2.0.0/16
  hostPrefix: 23
  networkType: CiscoACI
  serviceNetwork:
  - 172.30.0.0/16
platform:
  baremetal:
    apiVIPs:
    - 192.168.1.30
    ingressVIPs:
    - 192.168.1.29
  fips: false
pullSecret: <RH-account-pull-secret>
sshKey: <host-ssh-key>

```

## Step 2 Create the agent-config.yaml file.

```

apiVersion: v1alpha1
kind: AgentConfig
metadata:
  name: ocpbml
rendezvousIP: 192.168.1.3
AdditionalNTPSources:
- time.cisco.com
hosts:
- hostname: ocpbml-master1
  role: master
  interfaces:
  - name: ens160
    macAddress: 00:50:56:97:16:db
    networkConfig:
      interfaces:
      - name: ens160
        mtu: 9000
        ipv4:
          enabled: false
        ipv6:
          enabled: false
      - name: node
        type: vlan
        mtu: 9000
        state: up
        vlan:
          base-iface: ens160
          id: 11
        ipv4:
          enabled: true
          address:
            - ip: 192.168.1.3
              prefix-length: 24
          dhcp: false
        ipv6:
          enabled: false
      - name: infra
        type: vlan
        mtu: 9000
        state: up
        vlan:
          base-iface: ens160
          id: 3301
        ipv4:
          enabled: true
          dhcp: true

```

```

    ipv6:
      enabled: false
  dns-resolver:
    config:
      server:
        - 192.168.1.2
  routes:
    config:
      - destination: 0.0.0.0/0
        next-hop-address: 192.168.1.1
        next-hop-interface: node
      - destination: 224.0.0.0/4
        next-hop-interface: infra
- hostname: ocpbml-master2
  role: master
  interfaces:
- name: ens160
  macAddress: 00:50:56:97:63:de
  networkConfig:
    interfaces:
      - name: ens160
        mtu: 9000
        ipv4:
          enabled: false
        ipv6:
          enabled: false
      - name: node
        type: vlan
        mtu: 9000
        state: up
        vlan:
          base-iface: ens160
          id: 11
        ipv4:
          enabled: true
          address:
            - ip: 192.168.1.4
              prefix-length: 24
          dhcp: false
        ipv6:
          enabled: false
      - name: infra
        type: vlan
        mtu: 9000
        state: up
        vlan:
          base-iface: ens160
          id: 3301
        ipv4:
          enabled: true
          dhcp: true
        ipv6:
          enabled: false
  dns-resolver:
    config:
      server:
        - 192.168.1.2
  routes:
    config:
      - destination: 0.0.0.0/0
        next-hop-address: 192.168.1.1
        next-hop-interface: node
      - destination: 224.0.0.0/4
        next-hop-interface: infra

```

```

- hostname: ocpbml-master3
  role: master
  interfaces:
  - name: ens160
    macAddress: 00:50:56:97:00:e5
  networkConfig:
    interfaces:
    - name: ens160
      mtu: 9000
      ipv4:
        enabled: false
      ipv6:
        enabled: false
    - name: node
      type: vlan
      mtu: 9000
      state: up
      vlan:
        base-iface: ens160
        id: 11
      ipv4:
        enabled: true
        address:
          - ip: 192.168.1.5
            prefix-length: 24
        dhcp: false
      ipv6:
        enabled: false
    - name: infra
      type: vlan
      mtu: 9000
      state: up
      vlan:
        base-iface: ens160
        id: 3301
      ipv4:
        enabled: true
        dhcp: true
      ipv6:
        enabled: false
    dns-resolver:
      config:
        server:
          - 192.168.1.2
    routes:
      config:
      - destination: 0.0.0.0/0
        next-hop-address: 192.168.1.1
        next-hop-interface: node
      - destination: 224.0.0.0/4
        next-hop-interface: infra

```

---

## Configuring ACI Infra and CNI

Use this procedure for configuring ACI infra and CNI using acc-provision.

### Procedure

Sample ACI configuration:

```

# Configuration for ACI Fabric
#
aci_config:
  system_id: openupi          # Every opflex cluster on the same fabric must have a distinct
  ID
  apic_hosts:                # List of APIC hosts to connect to for APIC API access
    - <APIC-IP>
  apic_login:
    username: <username>
    password: <password>
  vmm_domain:                # Kubernetes VMM domain configuration
    encap_type: vxlan        # Encap mode: vxlan or vlan
    mcast_range:            # Every vxlan VMM on the same fabric must use a distinct range
      start: 225.115.1.1
      end: 225.115.255.255
  # The following resources must already exist on the APIC,
  # this is a reference to use them
  aep: <AAEP_NAME>          # The attachment profile for ports/VPCs connected to this cluster
  vrf:                       # VRF used to create all subnets used by this Kubernetes cluster
    name: <VRF_NAME>        # This should exist, the provisioning tool does not create it
    tenant: <TENANT_WITH_VRF_DEFINITION> # This can be tenant for this cluster (system-id)
or common
  l3out:                     # L3out to use for this kubernetes cluster (in the VRF above)
    name:<L3OUT_NAME>        # This is used to provision external service IPs/LB
    external_networks:
      <EXTERNAL_EPG_NAME> # This should also exist, the provisioning tool does not create it
agent based installer:
  enable: true
# Networks used by Kubernetes
#
net_config:
  node_subnet: 192.168.1.1/24 # Subnet to use for nodes
  pod_subnet: 10.2.0.1/16     # Subnet to use for Kubernetes Pods
  extern_dynamic: 10.3.0.1/16 # Subnet to use for dynamically allocated external services
  extern_static: 10.4.0.1/16 # Subnet to use for statically allocated external services
  node_svc_subnet: 10.5.0.1/16 # Subnet to use for service graph
  kubeapi_vlan: 11           # The VLAN used by the internal physdom for nodes
  service_vlan: 21          # The VLAN used for external LoadBalancer services
  infra_vlan: 3301

```

#### Note

The `*.apps.<cluster_name>.<base_domain>` records in the user-provisioned DNS should refer to the same IP address used in the ingressVIPs in the `install-config.yaml` file.

Customize the sample `acc-provision` input file shown above as per your requirements. Then install the latest `acc-provision` package from [here](#), and run `pip install acc-provision`. Run the `acc-provision` as follows:

```

$ ~/openupi$ pwd
/home/<user>/openupi

$ ~/openupi$ acc-provision -a -c acc_provision_input.yaml -f openshift-4.21-agent-based-baremetal -u
<user> -p <password> -o aci_deployment.yaml -z aci_deployment.yaml.tar.gz

```

This generates a new `aci_deployment.yaml.tar.gz` file which contains the ACI CNI manifests, and is used later during the OpenShift installation.

## Preparing Custom Network Configuration for OpenShift Nodes

ACI CNI requires additional VLANs to be extended towards each OpenShift node. Additional VLANs are required for all master and worker nodes.

You can configure additional VLANs on the interface that will be configured with the node network subnet or can be configured on an additional physical interface on the hosts.

The available option to configure a network interface of a host is to provide the configuration in `agent-config.yaml` in NMState format. For details about creating `agent-config.yaml`, see the *Configuring the OpenShift Installer* section.

## Modifying the agent-config file

Use this procedure to modify the `agent-config.yaml` file.

### Before you begin

The agent-config file, with additional NIC configuration, needs to extend the Cisco ACI internal network (Infra VLAN) up to the server level. This interface is used to carry VxLAN traffic from OVS towards the ACI leaf switch with an appropriate tag for the pod network. To achieve the separation between the OpenShift node traffic and pod traffic, use the *Single Sub interface for both node and infra networks* approach. The relevant details have been discussed in the [Requirements](#) section.

The following YAML snippet outlines an AgentConfig. It includes essential details like rendezvous IP, host configurations, and network interface settings for streamlined deployment.

```
apiVersion: vl1alpha1
kind: AgentConfig
metadata:
  name: ocpbml
rendezvousIP: 192.168.1.3. -> A
AdditionalNTPSources:
  - time.cisco.com
hosts: -> B
  - hostname: ocpbml-master1 -> C
    role: master
    interfaces:
      - name: ens160
        macAddress: 00:50:56:97:16:db
        networkConfig: -> D
          interfaces:
            - name: ens160
              mtu: 9000
              ipv4:
                enabled: false
              ipv6:
                enabled: false
            - name: node
              type: vlan
              mtu: 9000
              state: up
              vlan:
                base-iface: ens160
                id: 11
              ipv4:
                enabled: true
                address:
                  - ip: 192.168.1.3
                    prefix-length: 24
                dhcp: false
              ipv6:
                enabled: false
            - name: infra
              type: vlan
              mtu: 9000
              state: up
```

```

vlan:
  base-iface: ens160
  id: 3301
ipv4:
  enabled: true
  dhcp: true
ipv6:
  enabled: false
dns-resolver:
  config:
    server:
      - 192.168.1.2
routes:
  config:
    - destination: 0.0.0.0/0
      next-hop-address: 192.168.1.1
      next-hop-interface: node
    - destination: 224.0.0.0/4
      next-hop-interface: infra

```

In the above sample, sections have been marked as A, B, C, D. Here are the details for better understanding.

- **A:** This IP address is used to determine which node performs the bootstrapping process as well as running the assisted-service component. You must provide the rendezvous IP address when you do not specify at least one host's IP address in the `networkConfig` parameter. If this address is not provided, one IP address is selected from the provided hosts' `networkConfig`.
- **B:** Host configuration. The number of hosts defined must not exceed the total number of hosts defined in the `install-config.yaml` file, which is the sum of the values of the `compute.replicas` and `controlPlane.replicas` parameters.
- **C:** Overrides the hostname obtained from either the Dynamic Host Configuration Protocol (DHCP) or a reverse DNS lookup. Each host must have a unique hostname supplied by one of these methods.
- **D:** Configures the network interface of a host in NMState format.

## Procedure

---

**Step 1** Create a root folder for your cluster.

```

cd /home/<user>/openupi
mkdir upi

```

**Step 2** Copy the `install-config.yaml`, `agent-config.yaml` in the newly created `upi` folder.

**Step 3** Create the `openshift` directory.

```

mkdir -p /home/<user>/openupi/upi/openshift

```

**Step 4** Extract all the ACI manifest files in `upi/openshift/`.

```

tar -xvf aci_deployment.yaml.tar.gz -C upi/openshift/

```

**Step 5** Create the iso image.

```

openshift-install agent create image --dir=upi --log-level debug

```

**Step 6** Boot the `agent.x86_64.iso` image on the bare metal machines.

The `agent.x86_64.iso` is now ready and can be copied to your HTTP server, so they can be served to your nodes. The `agent.x86_64.iso` file will be consumed by every node and the network configuration for each node will be recognized based on the mac-address mentioned in the NMState configuration for each node.

---

## Updating the Default Ingress Controller

For updating the default Ingress Controller publish strategy to use the ACI Loadbalancer, log in as a user with cluster-admin privileges and run the following:

```
oc replace --force --wait --filename - <<EOF
apiVersion: operator.openshift.io/v1
kind: IngressController
metadata:
  namespace: openshift-ingress-operator
  name: default
spec:
  endpointPublishingStrategy:
    type: LoadBalancerService
    loadBalancer:
      scope: External
EOF
```

For more details, see the *Configuring the Default Ingress Controller for your Cluster to be Internal* section in the *Ingress Operator in OpenShift Container Platform Red Hat* guide.

## Scaling Agent-based Installation with Bare Metal Operator

Use this procedure to add workers or scale nodes in a cluster.

### Procedure

---

- Step 1** Power off the bare metal node by using the baseboard management controller (BMC), and ensure it is off.
- Step 2** Apply configuration file for the bare metal node, use one of the following example `bmh.yaml` files, replacing values in the YAML to match your environment:

```
apiVersion: metal3.io/v1alpha1
kind: Provisioning
metadata:
  finalizers:
  - provisioning.metal3.io
  name: provisioning-configuration
spec:
  preProvisioningOSDownloadURLs: {}
  provisioningMacAddresses:
  - <control-node01 mac address>
  - <control-node02 mac address>
  - <control-node03 mac address>
  provisioningNetwork: Managed
  provisioningIP: 192.168.254.30
  provisioningNetworkCIDR: 192.168.254.0/24
  provisioningDHCPRange: 192.168.254.3,192.168.254.10
  provisioningInterface: ens70s0f1
```

```

---
apiVersion: v1
kind: Secret
metadata:
  name: bmc-credentials
  namespace: openshift-machine-api
data:
  username: <base64_of_uid>
  password: <base64_of_pwd>
---
apiVersion: v1
kind: Secret
metadata:
  name: bm-compute-0-netconfig
  namespace: openshift-machine-api
type: Opaque
stringData:
  nmstate: |
    interfaces:
      - name: ens160
        mtu: 9000
        ipv4:
          enabled: false
        ipv6:
          enabled: false
      - name: node
        type: vlan
        mtu: 9000
        state: up
        vlan:
          base-iface: ens160
          id: 11
        ipv4:
          enabled: true
          address:
            - ip: 192.168.1.6
              prefix-length: 24
          dhcp: false
        ipv6:
          enabled: false
      - name: infra
        type: vlan
        mtu: 9000
        state: up
        vlan:
          base-iface: ens160
          id: 3301
        ipv4:
          enabled: true
          dhcp: true
        ipv6:
          enabled: false
    dns-resolver:
      config:
        server:
          - 192.168.1.2
    routes:
      config:
        - destination: 0.0.0.0/0
          next-hop-address: 192.168.1.1
          next-hop-interface: node
        - destination: 224.0.0.0/4
          next-hop-interface: infra
---

```

```

apiVersion: metal3.io/v1alpha1
kind: BareMetalHost
metadata:
  name: compute-0
  namespace: openshift-machine-api
spec:
  automatedCleaningMode: metadata
  online: true
  bootMACAddress: <nicl_mac_address>
  bmc:
    address: <protocol>://<bmc_url>
    credentialsName: bmc-credentials
    disableCertificateVerification: True
  provisioningNetworkDataName: bm-compute-0-netconfig

```

### Note

To enable multiple worker nodes, you must generate distinct netconfig secrets for each node. Additionally, it's crucial to note that deleting a BaremetalHost object will also remove the associated secrets. Therefore, when utilizing multiple BaremetalHost objects, ensure that the credential secret is retained for the non-deleted BaremetalHost instances to maintain proper functionality

**Step 3** Check the respective objects created (the required command has been indicated for each object):

- Provisioning Network: Private network used for PXE booting.
 

```
. oc describe provisioning provisioning-configuration
```
- Secret bmc-credentials: Credentials for the bmc access.
 

```
. oc describe secret -n openshift-machine-api bmc-credentials
```
- Secret bm-compute-0-netconfig: Custom Network configuration for worker node.
 

```
. oc describe secret -n openshift-machine-api bm-compute-0-netconfig
```
- BareMetalHost compute-0: Configuration to manage the baremetal node.
 

```
. oc describe baremetalhost compute-0 -n openshift-machine-api
```

**Step 4** Scale up the number of replicas to match the number of available bare metal hosts:

```
oc scale machineset -n openshift-machine-api <worker-machineset> --replicas=1
```

### What to do next

Proceed with the tracking and verifying installation progress of the cluster; see the *Redhat OpenShift 4.21 document* (mentioned earlier in the chapter).

THE SPECIFICATIONS AND INFORMATION REGARDING THE PRODUCTS REFERENCED IN THIS DOCUMENTATION ARE SUBJECT TO CHANGE WITHOUT NOTICE. EXCEPT AS MAY OTHERWISE BE AGREED BY CISCO IN WRITING, ALL STATEMENTS, INFORMATION, AND RECOMMENDATIONS IN THIS DOCUMENTATION ARE PRESENTED WITHOUT WARRANTY OF ANY KIND, EXPRESS OR IMPLIED.

The Cisco End User License Agreement and any supplemental license terms govern your use of any Cisco software, including this product documentation, and are located at: <https://www.cisco.com/c/en/us/about/legal/cloud-and-software/software-terms.html>. Cisco product warranty information is available at <https://www.cisco.com/c/en/us/products/warranty-listing.html>. US Federal Communications Commission Notices are found here <https://www.cisco.com/c/en/us/products/us-fcc-notice.html>.

IN NO EVENT SHALL CISCO OR ITS SUPPLIERS BE LIABLE FOR ANY INDIRECT, SPECIAL, CONSEQUENTIAL, OR INCIDENTAL DAMAGES, INCLUDING, WITHOUT LIMITATION, LOST PROFITS OR LOSS OR DAMAGE TO DATA ARISING OUT OF THE USE OR INABILITY TO USE THIS MANUAL, EVEN IF CISCO OR ITS SUPPLIERS HAVE BEEN ADVISED OF THE POSSIBILITY OF SUCH DAMAGES.

Any products and features described herein as in development or available at a future date remain in varying stages of development and will be offered on a when-and if-available basis. Any such product or feature roadmaps are subject to change at the sole discretion of Cisco and Cisco will have no liability for delay in the delivery or failure to deliver any products or feature roadmap items that may be set forth in this document.

Any Internet Protocol (IP) addresses and phone numbers used in this document are not intended to be actual addresses and phone numbers. Any examples, command display output, network topology diagrams, and other figures included in the document are shown for illustrative purposes only. Any use of actual IP addresses or phone numbers in illustrative content is unintentional and coincidental.

The documentation set for this product strives to use bias-free language. For the purposes of this documentation set, bias-free is defined as language that does not imply discrimination based on age, disability, gender, racial identity, ethnic identity, sexual orientation, socioeconomic status, and intersectionality. Exceptions may be present in the documentation due to language that is hardcoded in the user interfaces of the product software, language used based on RFP documentation, or language that is used by a referenced third-party product.

Cisco and the Cisco logo are trademarks or registered trademarks of Cisco and/or its affiliates in the U.S. and other countries. To view a list of Cisco trademarks, go to this URL: <https://www.cisco.com/c/en/us/about/legal/trademarks.html>. Third-party trademarks mentioned are the property of their respective owners. The use of the word partner does not imply a partnership relationship between Cisco and any other company. (1721R)

© 2026 Cisco Systems, Inc. All rights reserved.



**Americas Headquarters**  
Cisco Systems, Inc.  
San Jose, CA 95134-1706  
USA

**Asia Pacific Headquarters**  
CiscoSystems(USA)Pte.Ltd.  
Singapore

**Europe Headquarters**  
CiscoSystemsInternationalBV  
Amsterdam,TheNetherlands

Cisco has more than 200 offices worldwide. Addresses, phone numbers, and fax numbers are listed on the Cisco Website at [www.cisco.com/go/offices](http://www.cisco.com/go/offices).