



CISCO SERVICE CONTROL SOLUTION GUIDE



Cisco Service Control Business Intelligence Solution Guide,

Release 4.0.x

- [1 Overview](#)
- [2 Features](#)
- [3 Enabling Business Intelligence for Video and HTTPS Reports by Using SCA Reporter
Obtaining Documentation and Submitting a Service Request](#)



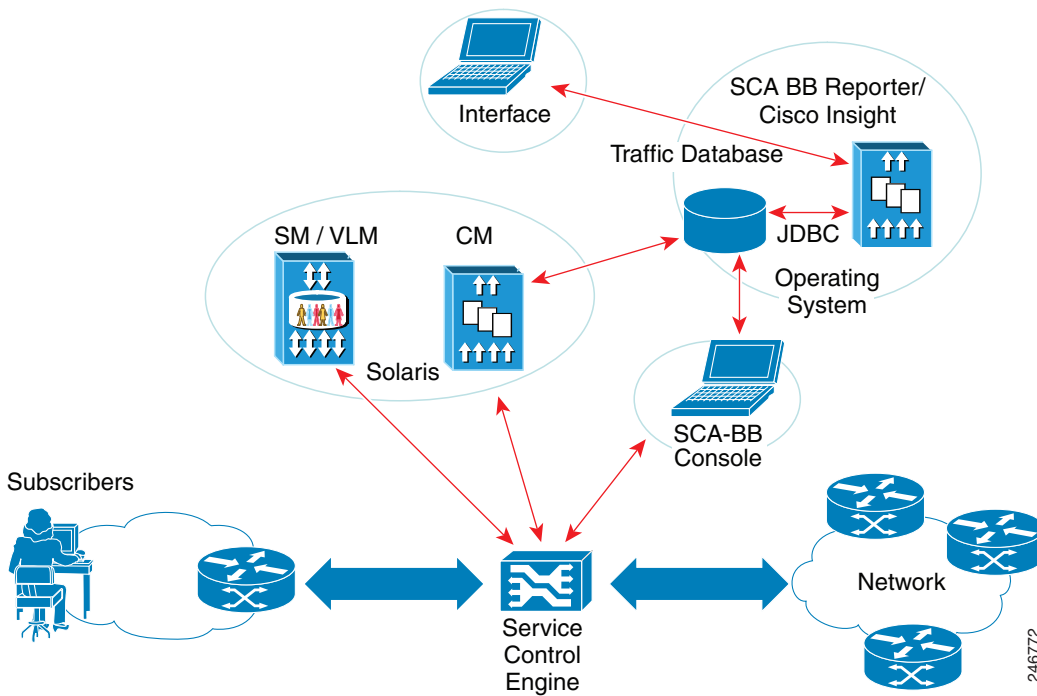
Note This document supports all 4.0.x releases.

1 Overview

The Cisco Service Control Business Intelligence (BI) solution provides the enhanced analysis and reporting of subscriber network traffic. The infrastructure of the Cisco Service Control BI solution consists of features that enables you to analyze the behavior of subscribers within the network. For example, the traffic analysis can include volume consumption, access patterns, top content providers, and usage trends. The Cisco Service Control BI solution offers tools for trend analysis, traffic comparison, and enhanced data reporting. It also provides ways to access this data over longer periods of time (up to one year).

Within the Cisco Service Control BI solution infrastructure, the Cisco Service Control Engine (Cisco SCE) sends Raw Data Records (RDR) to the Cisco Service Control Collection Manager (CM). The Cisco Service Control Collection Manager then uses software modules to perform various data aggregations and writes the data to an external database (for example, MySQL). The Cisco Service Control Application for Broadband (Cisco SCA BB) Reporter and the Cisco Insight Reporter processes the data from the database and presents the data in web reports. [Figure 1](#) illustrates the network topology of the Cisco Service Control BI solution.

Figure 1 Cisco Service Control BI Solution Network Topology



Traffic Database—MySQL, Sybase, or Oracle.

Operating System—Red Hat Linux, CentOS Linux, or Solaris.

For details on Operating Systems and Databases supported by Cisco Insight, see http://www.cisco.com/en/US/partner/docs/cable/serv_exch/serv_control/broadband_app/insight/rel30/user_guide/insightugv3.html.

Related Publications

Use this *guide* with the following Cisco documentation:

- *Cisco Service Control Management Suite Collection Manager User Guide*
- *Cisco Service Control Application for Broadband User Guide*
- *Cisco Service Control Application for Broadband Reference Guide*
- *Cisco Service Control Application Reporter User Guide*
- *Cisco Service Control Mobile Solution Guide*

2 Features

The Cisco Service Control BI solution infrastructure generates a large amount of data that needs to be collected, processed, and stored. Reports on this data need to be generated within a reasonable response time to meet user requirements. The need for reporting on both detailed and long-term trends can create challenges. To address these challenges, the Cisco Service Control BI solution provides these features:

- [Cisco Service Control Collection Manager Features, page 3](#)
- [Cisco SCE Features, page 4](#)
- [Cisco SCA BB Reporter Features, page 6](#)
- [Cisco Insight Features, page 6](#)

Cisco Service Control Collection Manager Features

The Collection Manager uses several complementary features to provide a compromise between level of detail and long-term storage of the data:

- [Focus on Significant Data, page 3](#)
- [Database Table Partitioning, page 3](#)
- [String Removal, page 3](#)
- [Aggregation of Usage Data, page 4](#)
- [Adaptive Frequency Counts, page 4](#)

Focus on Significant Data

The term ClickStream describes the actual Hypertext Transfer Protocol (HTTP) requests that a particular subscriber triggers. The SCE filters out irrelevant URLs that secondary HTTP requests trigger. The ability to classify HTTP requests as belonging to the ClickStream of the subscriber allows an accurate and effective extraction of the web browsing habits of the subscriber. The ClickStream of the subscriber contains significant data about the access pattern of the subscriber. The ClickStream events make up only 1 to 5 percentage of the total HTTP requests, hence, the quantity of data that requires analysis also reduces.

You can set the volume threshold within the reports based on the ClickStream, and transactions for particular applications that exceed the threshold are filtered out. This filtering significantly reduces the amount of data that requires processing, without compromising accuracy.

Database Table Partitioning

The Collection Manager partitions records of the same type into separate tables within the database. These partitions are calculated according to time-stamp ranges. A rolling window mechanism is then used to delete the oldest partition periodically.

String Removal

Strings require storage space and have limited use in data mining. Eliminating strings frees up space for more storage. The Java Database Connectivity (JDBC) adapter of the Collection Manager can replace strings with empty strings based on the *dbtables.xml* configuration file. Eliminating strings results in a smaller overall database.

To modify a string field in the configuration file, use the *<options>* subtag in the *<field>* tag to overwrite the string with an empty value.

If *INFO_String* is removed, the following reports become unusable:

- Top Email Account Owners.xml
- Top Email recipients.xml
- Top Email senders.xml
- Top Newsgroups.xml
- Top Subscriber To Newsgroup.xml
- Top Peer-to-Peer (P2P) File Extensions.xml
- Top Session Initiation Protocol (SIP) Domains.xml

If *ACCESS_String* is removed, the following reports become unusable:

- Real-Time Streaming Protocol (RTSP) Host Distribution by Subscriber Packages.xml
- Top HTTP Streaming Hosts.xml
- Top RTSP Hosts.xml
- Top Web Hosts.xml
- Web Host Distribution by Subscriber Packages.xml

Aggregation of Usage Data

The aggregation process is run for each table as a database stored procedure. Aggregation of usage data significantly reduces memory requirements by freeing space previously used to store more granular data points. Aggregation is disabled by default.

The xUR (where x is a particular type of Usage RDR) table records are displayed over time. With little impact to the overall accuracy of the report, usage data can be aggregated for the following timeframes:

- No aggregation for the first day
- 15-minute aggregations up to the three-month mark
- 1-hour aggregations up to the one-year mark
- One-day aggregations if over one year

Adaptive Frequency Counts

Long-term trend reports are based on frequency counts, that is, how frequently a host was accessed. Performing frequency counts on an infinite data stream could be a complex computational task. To reduce the complexity of this task, the CM uses an adaptive frequency count method. In this method, the data for each of the most frequent events is aggregated and then stored. You can configure aggregation periods based on hour, day, or week.

Cisco SCE Features

Cisco SCE data classification features include:

- Signature support—Support for over 700 application signatures.
- Zero-day detection—Heuristic approaches for classification of application categories (VoIP, P2P, gaming).
- Protocol packs—Updates the latest protocol signatures to the Signature Engine every two months.
- External signature editor—Signature utility for creating L7 classification.

When a flow does not match a protocol signature, advanced classification mechanisms are used:

- Behavioral classification—Flows of certain application categories usually have a distinct behavioral pattern (sparse or dense, unidirectional or interactive).
- Classification based on recent history—Adjacent flows with similar source or destination are classified together because these flows usually belong to the same application.

- Multistage classification—Accurate classification requires several packets. Therefore, temporary classification is used when immediate policy decision is needed.

Raw Data Records (RDR) on Cisco SCE

SCE platforms running SCA BB generate and transmit Raw Data Records (RDRs) that contain information relevant to the service provider. RDRs contain a wide variety of information and statistics, depending on the configuration of the system. RDRs are transmitted using a Cisco proprietary protocol. This requires you to use the Cisco Service Control Management Suite (SCMS) Collection Manager or to develop software to process the RDRs.

The data in some RDRs can also be exported using the NetFlow reporting protocol. NetFlow reporting allows the SCA BB solution to be more easily integrated with your existing data collectors.

The following are the main categories of RDRs:

- Usage RDRs—Generated periodically. These RDRs contain the state of the usage counters, per service and per accounting scope. There are four types of usage RDRs:
 - Link Usage RDRs—Global usage per service, for the entire link.
 - Package Usage RDRs—Usage per group of subscribers, per service.
 - Subscriber Usage RDRs—Usage per subscriber, per service. These RDRs are generated for all subscribers. The Cisco Service Control Management Suite (SCMS) Collection Manager (CM) and Cisco Service Control Application (SCA) Reporter use these RDRs to generate top-subscriber reports and aggregated usage billing records.
 - Real-Time Subscriber Usage RDRs—Generated for selected subscribers only. The SCMS-CM and SCA Reporter use these RDRs by to generate detailed subscriber activity reports.
 - Zone Usage RDRs—Generated for configured zones, for subscriber usage in that particular zone.
- Media RDRs—
- Transaction RDRs—Generated for a sample of the flows. These RDRs are used to create statistical histograms such as Top TCP Ports.
- Transaction Usage RDRs—Generated for every flow according to user-defined filters. These RDRs contain detailed Layer 7 information for browsing, streaming, and voice flows. They are used for flow-based billing.
- Real-Time Signaling RDRs—Generated to indicate specific network events such as flow start or end. These RDRs are used to signal external systems to allow real-time actions across the network.
- Malicious Traffic RDRs—Generated to indicate that the SCE platform has detected a traffic anomaly, such as a DDoS attack. These RDRs are used to detect attacks and attackers to mitigate them.

For details on various RDRs, see *Cisco Service Control Application for Broadband Reference Guide* and *Cisco Service Control Application for Broadband User Guide*.

Mobile Vendor Specific Attributes (VSA)

Vendor Specific Attributes (VSA) are RADIUS or Diameter attributes that are sent mostly in mobile environments. They can be captured from the traffic processed by the SCE and then reported to the billing server. They can also be sent to the Collection Manager in various RDRs to be used to generate a number of common mobile reports.

Capturing VSAs

VSAs can be captured by either of the following entities:

- SCE platform
- RADIUS Login Event Generator (LEG)

Only the VSAs that you select are captured. You can choose which attributes are relevant, and store and process only those attributes. You can select a maximum of 20 attributes from the list of available VSAs. The list of attributes to capture can be modified while the system is running.

For details on Mobile VSA, see the *Cisco Service Control Mobile Solution Guide*. Appendix B of the guide provides a list of supported Mobile VSAs. Chapter 6, Capturing and Reporting Subscriber Attributes of the guide provides details on capturing and reporting VSAs.

Cisco SCA BB Reporter Features

This section provides details on the Cisco SCA BB Reporter features for BI solution.

Reports

The Cisco Service Control BI solution includes enhanced reports that provide a comprehensive view of the network activity. The Topper/Aggregator (TA) and the Real-Time Aggregating (RAG) adapters in the Collection Manager collect and process these reports:

- Bandwidth
- Capacity
- Subscriber demographics
- Server activity
- Traffic comparisons between regions or geographies, types of traffic, and so on

Reports based on Topper/Aggregator (TA) Adaptor

- Top Subscribers
- Top P2P Consumers/Uploaders/Downloaders
- Top VoIP Subscribers
- Top Video Consumers
- Top Web Consumers
- Cumulative Distribution of Subscriber Usage
- Average Subscriber Consumption

Reports based on Real-Time Aggregating (RAG) Adapter

Reports from Video and Web groups falling under the following level 2 topics:

- Providers
- Hosts
- Consumers

Cisco Insight Features

Cisco Insight v2 is a software platform based on a web 2.0 user experience standard, designed to collect and present reports, charts, and statistics about the traffic data collected by Cisco SCE devices.

Cisco Insight v2 is an independent component of the SCA solution, but still has some dependencies on the database schema of the deployed SCA Collection Managers and SCE devices. The Cisco Insight v2 application should be installed on a dedicated high-end device. However, for small deployments or demos, it could share the same device hosting the Cisco Collection Manager and its database, where traffic data is stored.

Cisco Insight v2 supports all reports available in SCA BB Release 3.5.0, 3.5.5, 3.6.0, 3.6.5, and 3.7.0.

Cisco Insight v2 Reporting Tools

Cisco Insight v2 provides a series of reporting tools that enables you to run interactive reports, save and share report definitions, schedule recurring reports, view and customize a dashboard, and share results. The Report Topics tab in Cisco Insight GUI provides various report topics available on the official Cisco Insight v2 template.

The report topics are organized in various report groups. [Table 1](#) provides details of the report groups.

Table 1 Report Group Details

Report Group	Report Group	Description
P2P Group	—	Presents statistics about peer-to-peer traffic. P2P reports cannot be generated using data collected from the SCE platform running in Asymmetric Routing Classification mode.
	Consumers	Provides details on the most popular P2P consumers, P2P download consumers, and P2P download consumers.
	Protocols	Provides details on the most popular P2P protocols.
Traffic Monitoring Group	CMTS/VLinks	Provides statistics of bandwidth or volume of traffic used by a virtual link. The reports are provided per service usage counter for the total volume used by the virtual link. The volume consumption can be displayed per service for the virtual link. The reports cannot be generated using data collected from an SCE platform running in Asymmetric Routing Classification mode.
	Demographic Data	Provides the daily or weekly average trend in total number of active subscribers. Provides, for a given time frame, details of cumulative and average subscriber usage.
	Global	Provides statistics about the traffic bandwidth or volume that was consumed. The bandwidth or volume consumption can be displayed per service for the entire link.
	IPv6	Provides IPv6 vs IPv4 bandwidth comparison. Provides details on active subscribers, average subscriber bandwidth, and concurrent sessions for tunneled IPv6.
	Link	Provides you the statistics of the links based on the report metrics such as bandwidth, concurrent sessions, duration, sessions, top by usage volume, and volume.
	Mobile	Provides details of active subscribers based on the location and aggregated usage based on the device type, network type, APN, location, and SGSN. Details based on the device type distribution (IMEI) and usage volume per service is also available.
	Service Popularity	Provides statistics on demographic usage of the network (distributions, trends, and so on).
	Subscribers	Provides statistics on the bandwidth or volume of traffic used by SCE subscribers. The reports are provided per service usage counter for the total volume consumed by the subscriber.
	Top Subscribers	Provides details on the most consuming subscribers in terms of traffic volume (for all or specific services). Subscriber bandwidth and volume reports can be generated for those subscribers configured for real-time monitoring.

Table 1 Report Group Details (continued)

Report Group	Report Group	Description
Video Group	—	Provides statistics of the video traffic.
	Bandwidth Monitoring	Provides details on the global bandwidth per video service, package bandwidth per video service, and zone bandwidth per video service.
	Consumers	Provides details on the most popular video consumers.
	Hosts	Provides details on video hosts popularity, time-of-day access pattern for each video host, and top video hosts.
	Providers	Provides statistics on video providers based on the metrics such as activity, popularity, time-of-day access, top providers, and trend.
	Services	Provides details of video service distribution; such as, most popular video service and most popular video service of a particular package or a particular zone.
VoIP Group	—	Provides statistics of the VoIP traffic. Reports cannot be generated using data collected from the SCE running in asymmetric routing classification mode.
	Global	Provides statistics based on the metrics such as bandwidth, concurrent calls, and duration.
	QoS	Provides statistics based on the metrics such as distribution, global, and hourly average. The reports include Codec and MOS distribution.
	SIP Domains	Provides statistics based on the metrics such as Average MOS, Calls Duration, Number of Calls, top SIP domains, and top user agents.
	Subscribers	provides statistics based on top talkers, bandwidth per VoIP service, and duration of calls.
Web Group	—	Provides statistics of the web traffic.
	Consumers	Provides details on the top browsing consumers.
	Domains	Provides statistics based on the metrics such as activity, popularity, time-of-day access, top domains, and trend.
	Hosts	Provides details on the most popular servers or hosts for the various predefined system classes (such as Browsing, Streaming, and Downloading) and for user-defined classes.
Traffic Discovery Reports Group		Provides statistics compiled from the source and destination IP addresses and ports of the system traffic. The reports cannot be generated using data collected from an SCE platform running in asymmetric routing classification mode. Reports are not based on per subscriber; rather they supply general port and IP address information.
	Clients	Provides details on the most popular Client IP to Server IP, and server port for specific domains, and most popular clients for specific domains.
	Protocol	Provides details on most popular protocol, most popular IP protocol, and most popular P2P protocol.
	Servers	Provides statistics on various types of servers based on metrics such as, distribution by subscriber packages, and most popular servers.
	Services	Provides details on distribution server ports of a certain service for specific domain.

Table 1 Report Group Details (continued)

Report Group	Report Group	Description
Malicious Traffic Group	—	Provides statistics on the malicious event accrued in the system.
	DoS	Provides details on DoS attacked subscribers, most DoS-attacked hosts, and most DoS-attacked subscribers.
	Scans/Attacks	Provides global scan or attack rate, most scanned or attacked port, most scanning or attacking hosts, and most scanning or attacking subscribers.
	Spam	Provides cumulative distribution of SMTP sessions of the subscriber, average SMTP sessions distribution, hourly spam sessions distribution, and top spammers.
	Subscribers	Provides list of infected subscribers and distribution of infected and active subscribers.

For a list of all report topics and details on each topic, see the latest [Cisco Insight Reporter User Guide](#).

Reports

Cisco Insight reports are based on concepts such as leading input switch and series comparison, time controller, related reports, drill-down, and personal dashboard. Cisco Insight provides enhanced reports including these:

- Network activity reports
- Subscriber flows drill-down reports
- Drill-Down by service reports
- Video and HTTP Trends reports

Subscriber Flows Drill-Down Reports

You can drill down through the reports that display the open subscriber flows, that is, display top services, then display subscribers per service, and then display detailed information about a specific subscriber. [Figure 2](#) illustrates the data flow between components during a drill-down to flow-per-subscriber data.

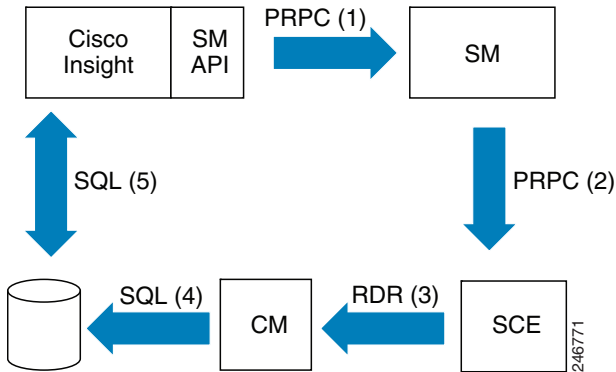


Note The FUR RDRs must be enabled on Cisco SCE to activate the Subscriber Flow drilldown report on Cisco Insight.

The drill-down follows this data flow:

- Step 1** Upon drill-down to a specific subscriber, Cisco Insight triggers a login operation to the Subscriber Manager (SM) via proprietary remote procedure call (PRPC) over the Subscriber Manager application programming interface (API). The login operation sets the *monitor* property value.
- Step 2** The Cisco Service Control Subscriber Manager forwards this update to the Cisco SCE.
- Step 3** The Cisco SCE generates flow-related RDRs for the subscriber and sends them to the Cisco Service Control Collection Manager.
- Step 4** The Cisco Service Control Collection Manager JDBC adapter inserts the flow-related RDRs into the FUR table of the external database.
- Step 5** Cisco Insight polls the FUR table in the external database and displays the flow information ([Figure 2](#)).

Figure 2 Data Flow of Drill-Down to Flow-Per-Subscriber Using Cisco Insight



Video and HTTP Trend Reports

The Cisco Service Control BI solution includes enhanced reports on Video and HTTP domains:

- Service-related reports—Video service distribution, top Flash video hosts
- Subscriber-related reports—Top video consumers, top browsing consumers
- Provider-related reports—Top video providers, top web hosts
- Trend reports—Changes over time

The SCE sends Video and HTTP TURs to the CM. The CM then routes these TURs to its RAG adapter. The RAG adapter:

- Aggregates these TURs to the domains at the first aggregation level.
- Periodically populates the top domains into a new table in the database schema.

A scheduled database server aggregation job periodically aggregates the first-level aggregation data into the second aggregation level. A reporter queries the database to generate the Video and HTTP trend reports.

3 Enabling Business Intelligence for Video and HTTPS Reports by Using SCA Reporter

This section provides details on enabling Business Intelligence for Video and HTTPS Reports. Enabling Business Intelligence involves:

- [Configuring the Cisco Service Control Collection Manager, page 10](#)
- [Configuring the Cisco SCA Reporter, page 11](#)
- [Configuring the Cisco SCA BB, page 11](#)

Configuring the Cisco Service Control Collection Manager

Step 1 Confirm that the RAG adapter is enabled.

If required, uncomment the following line in `~/cm/config/cm.conf` file:

```
adapter.4=com.cisco.scmscm.adapters.rag.RAGAdapter
```

Step 2 Confirm that the RAG adapter is configured with sufficient heap size. Increase the value (for example 2048 MB here) in `~/cm/config/cm.conf` according to sizing considerations:

```
com.cisco.scmscm.adapters.rag.RAGAdapter=-Xmx2048M
```

Step 3 Confirm that the RAG adapter is configured to perform the aggregations.

Copy `~/cm/config/ragadapter/repository/http_TURs.xml` and/or `~/cm/config/ragadapter/repository/video_TURs.xml` to `~/cm/config/ragadapter/`

- Step 4** (Optional) Confirm that the data reduction is enabled on RPT_TOP_HTTP_DOMAINS, RPT_TOP_HTTP_HOSTS, RPT_TOP_VIDEO_DOMAINS, and RPT_TOP_VIDEO_HOSTS.
- If required, update `~/db_maint/dbperiodic.conf`.
 - Rerun `~/db_maint/create_periodic_del_procs.sh`.
 - Rerun `~/scripts/dbperiodic.py`.
-

Configuring the Cisco SCA Reporter

- Step 1** Confirm that the Video and Web monitoring groups of report enabled. If required, uncomment these lines in `C:\Program Files\Cisco SCA\SCA Reporter 3.7.0\plugins\com.cisco.p3.apps.scasbbtemplates_3.7.0\templates\repository.xml` file:
- ```
<group folder="Video Monitoring" />
<group folder="Web Monitoring" />
```
- 

## Configuring the Cisco SCA BB

---

- Step 1** Assign counters to the ClickStream-New Page and ClickStream-New Site services.
- Step 2** Enable Video TURs.
- 

## Subscriber Real-Time Activity Monitoring

This section provides details on Subscriber Real-Time Activity Monitoring.

This task involves:

- [Configuring the Cisco SCE, page 11](#)
- [Configuring the Collection Manager, page 12](#)
- [Configuring the Cisco SCA Reporter, page 12](#)

## Configuring the Cisco SCE

---

- Step 1** Configure Cisco SCE using the following configuration steps.
- Step 2** Enter Configuration mode in SCE.
- ```
SCE2000#> configure
```
- Step 3** Enter Interface Configuration mode in SCE.
- ```
SCE2000(config)#> in li 0
```
- Step 4** Enable Online Flow Usage RDR.
- ```
SCE2000(config if)#> tunable GT_REP_OnlineFlowUsagerRDR_Enable value true
```
- Step 5** Set the monitor value to 1 to enable real time SUR or 4 to enable real time FUR.
- Step 6** Exit from interface configuration mode.
- ```
SCE2000(config if)#> exit
```
- Step 7** Exit from the configuration mode.
- ```
SCE2000(config)#> exit
```

Step 8 Copy Running configuration to startup configuration.

```
SCE2000#> copy running-config-application startup-config-application
```

Configuring the Collection Manager

Step 1 Confirm that the categorizer routes FURs to JDBC adapter. The tags property under JDBC Adapter should include the RDR tag 4042321927 in `~/cm/config/queue.conf`.

Step 2 Uncomment the FUR table definition in the `~/cm/config/apps/scasbb/3.7.0/dbtables.xml` file.

Step 3 (Optional) Confirm that the data reduction is enabled on RPT_FUR.

- a. If required, update `~/db_maint/dbperiodic.conf`.
 - b. Rerun `~/db_maint/create_periodic_del_procs.sh`.
 - c. Rerun `~/scripts/dbperiodic.py`.
-

Configuring the Cisco SCA Reporter

Step 1 Confirm that the Subscriber Real Time Activity report enabled. If required, uncomment these in `C:\Program Files\Cisco SCA\SCA Reporter 3.7.0\plugins\com.cisco.p3.apps.scasbbtemplates_3.7.0\templates\Subscriber Monitoring\group.xml`:

```
<template file="Subscriber Real Time Activity.xml"/>
```

Offline Collection Manager Database Aggregation

The database scripts are provided in the distribution package under `install-scripts/Aggregation`.

Run these scripts on MySQL server. For example, by using the MySQL Query Browser.

General parameters

Create general parameters table.

Run the content of `CREATE_PARAMETERS_TABLE.txt`

xUR tables

Create aggregation stored procedures for xUR tables.

Run the contents of the following files:

- `P_RPT_LUR_AGGREGATE.txt`
- `P_RPT_VLUR_AGGREGATE.txt`
- `P_RPT_PUR_AGGREGATE.txt`
- `P_RPT_MALUR_AGGREGATE.txt`

BI RAG tables

Create aggregation stored procedures for BI RAG tables.

Run the contents of the following files:

- `P_RPT_TOP_HTTP_HOSTS_AGGREGATE.txt`
- `P_RPT_TOP_HTTP_DOMAINS_AGGREGATE.txt`
- `P_RPT_TOP_VIDEO_HOSTS_AGGREGATE.txt`
- `P_RPT_TOP_VIDEO_DOMAINS_AGGREGATE.txt`

Events Scheduler

Create stored procedures scheduled runs.

Run the corresponding commands from `all_events_create.txt` for tables with aggregation enabled.

Obtaining Documentation and Submitting a Service Request

For information on obtaining documentation, submitting a service request, and gathering additional information, see *What's New in Cisco Product Documentation* at: <http://www.cisco.com/en/US/docs/general/whatsnew/whatsnew.html>.

Subscribe to *What's New in Cisco Product Documentation*, which lists all new and revised Cisco technical documentation, as an RSS feed and deliver content directly to your desktop using a reader application. The RSS feeds are a free service.

Cisco and the Cisco logo are trademarks or registered trademarks of Cisco and/or its affiliates in the U.S. and other countries. To view a list of Cisco trademarks, go to this URL: www.cisco.com/go/trademarks. Third-party trademarks mentioned are the property of their respective owners. The use of the word partner does not imply a partnership relationship between Cisco and any other company. (1110R)

Any Internet Protocol (IP) addresses used in this document are not intended to be actual addresses. Any examples, command display output, and figures included in the document are shown for illustrative purposes only. Any use of actual IP addresses in illustrative content is unintentional and coincidental.

© 2013 Cisco Systems, Inc. All rights reserved.



Americas Headquarters
Cisco Systems, Inc.
San Jose, CA

Asia Pacific Headquarters
Cisco Systems (USA) Pte. Ltd.
Singapore

Europe Headquarters
Cisco Systems International BV Amsterdam,
The Netherlands

Cisco has more than 200 offices worldwide. Addresses, phone numbers, and fax numbers are listed on the Cisco Website at www.cisco.com/go/offices.
