



CHAPTER 1

Preparing to Install Application Networking Manager 2.1

Date: 11/13/09

This chapter describes what you need to know and steps you need to perform in order to install or upgrade ANM. This chapter includes the following sections:

- [ANM Overview, page 1-1](#)
- [Server Requirements, page 1-3](#)
- [Client Requirements, page 1-4](#)
- [Becoming the Root User, page 1-4](#)

For detailed hardware and Cisco IOS requirements, see the [Supported Devices Table for the Application Networking Manager 2.1](#) on [Cisco.com](#).

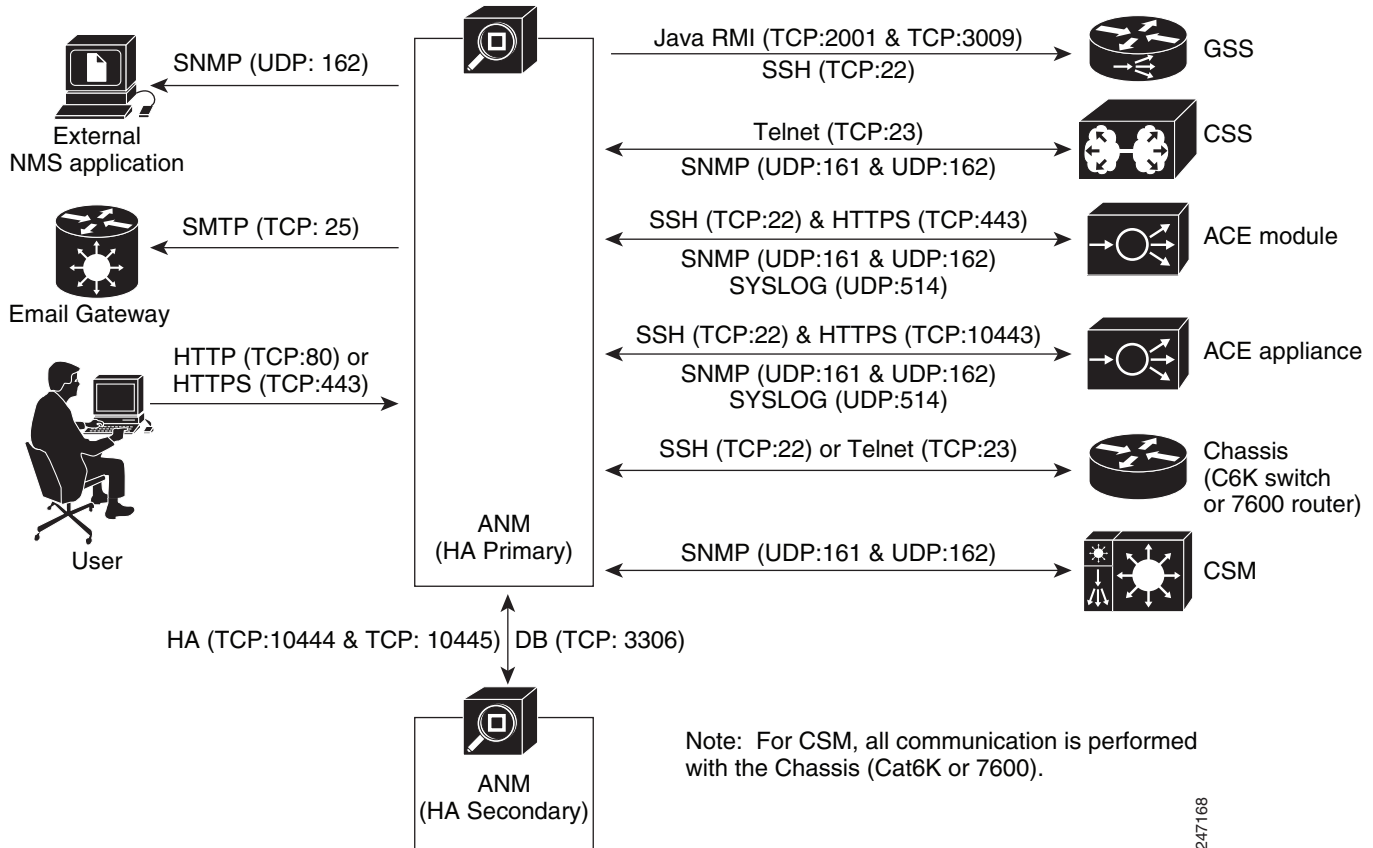
ANM Overview

ANM is a client-server application that enables you to perform all of the following functions:

- Configure, monitor, and troubleshoot the functions of data center devices.
- Create policies for operations, applications owners, and server administration staff to activate and suspend network-based services without knowledge of, or ability to, change network configuration or topology.
- Manage the Application Control Engine (ACE) module, ACE 4710 appliance, Catalyst 6500 series chassis, and Cisco 7600 series routers.
- Allow activation/suspension of real and virtual servers of CSS, CSM, and CSM-S.
- Provide monitoring support for Cisco Global Site Selectors (GSS) and Catalyst 6500 Virtual Switching System (VSS) 1440.

The server runs on a Linux machine where you will need to install Red Hat Enterprise Linux. The client runs on supported versions of Internet Explorer or Firefox web browsers. A pair of ANM servers can be configured to run in High Availability mode. The ANM server deployment is shown in Figure 1-1.

Figure 1-1 ANM Server Deployment



247168

Server Requirements

You can install ANM only on Red Hat Enterprise Linux servers (RHEL). The required version for this release is Red Hat Enterprise Linux 5 (base server) Update 2 (5.2) 32-bit Server Edition (Linux 2.6 Kernel).

During an ANM installation, MySQL (Sun's RDBMS) is automatically installed. If your system contains a different version of MySQL than the one used by ANM, it will be replaced with the version used by ANM during installation.



Tip

If you are installing RHEL for the first time, to avoid installation failures or incompatibilities, see the “[Red Hat Operating System Installation Tips](#)” section on page A-1.

To upgrade to ANM 2.1(1) or ANM 2.1 from ANM 2.0, you must have one of the following versions of RHEL installed:

- Red Hat Enterprise Linux 4 (base server) Update 2 (4.2) 32-bit Server Edition (Linux 2.6 Kernel)
- Red Hat Enterprise Linux 4 (base server) Update 5 (4.5) 32-bit Server Edition (Linux 2.6 Kernel)
- Red Hat Enterprise Linux 5 (base server) Update 2 (5.2) 32-bit Server Edition (Linux 2.6 Kernel)

Your server must also meet the following minimum requirements:



Note No external software or libraries are needed to install ANM.

- A *minimum* of 2 GB random access memory (RAM); we recommend 4 GB RAM as a minimum for optimum performance.
- A *minimum* of 120-GB hard drive.
- Disk space requirements for ANM components as listed in [Table 1-1](#).



Note Because ANM can potentially span multiple partitions, the disk requirements are listed on a directory basis. The partition that contains the specified directory must have at least the specified amount of free space indicated in [Table 1-1](#).

Table 1-1 ANM Disk Space Requirements

Directory	Disk Requirement
/opt/CSCOanm	2 GB
/var/lib/anm	45 GB

- 3-GHz Pentium III CPU or equivalent (dual processor supported; application is multithreaded but performance/capacity increase has not been specified).
- CD-ROM drive.
- 100-Mbps Ethernet interface for a single ANM configuration.
- One ANM server license for the active or primary server that you can download to the machine after installation by using the product authorization key (PAK).

If you are installing ANM with fault-tolerant high availability (HA), you must have the following:

- Two full-duplex 100-Mbps Ethernet interfaces
- Two hosts with unique hostnames
- An additional ANM server license for the standby or backup server

**Note**

For more information about high availability functions, see the “[Configuring ANM High Availability](#)” chapter in the *User Guide for the Cisco Application Networking Manager 2.1*.

Client Requirements

Each client that runs ANM must meet the following minimum requirements:

- IBM-compatible computer with 2-GHz or faster Pentium processor
- At least 1-GB minimum RAM

The client must run one of the following operating systems:

- Windows XP Professional with Service Packs 2 and 3
- Windows Vista with Service Pack 1
- Red Hat Enterprise Linux 5 (base server) or Red Hat Enterprise Linux AS 4

The client requires one of the following browsers:

- Microsoft Internet Explorer 6.0 or 7.0 with Service Pack 2 on Windows XP or Windows Vista
- Firefox 2.0 on Windows XP and Windows 2000 and Red Hat Enterprise Linux 5 (base server) or Red Hat Enterprise Linux AS 4

**Note**

All browsers require that you enable cookies, JavaScript/scripting, and popup windows. If you reinstall a later ANM release, make sure that you delete the cookies and clear the browser cache.

Becoming the Root User

To install ANM, you must be logged in as the root user on the system where you want to install ANM.

**Caution**

As the root user, you can adversely affect your operating environment if you are unaware of the effects of the commands that you use. If you are a relatively inexperienced Linux user, limit your activities as the root user to the tasks described in this publication.

From the Linux command line, log in as the root user by entering the following at the prompts:

```
> login: root
> Password: root-password
```

If you are already logged in, but not as the root user, use the **su** command to change your login to root:

```
# su
```

Password: *root-password*
