

Catalyst 2948G–L3 Sample Configurations – Full Device Configurations

Document ID: 12021

Contents

Introduction

Prerequisites

- Requirements
- Components Used
- Conventions

Example 1 Single VLAN Network

- Catalyst 2948G–L3 Configuration
- Catalyst 3548XL Configuration

Example 2 Multi–VLAN Network

- Catalyst 2948G–L3 Configuration
- Catalyst 3512XL Configuration
- Catalyst 2924XL Configuration
- Catalyst 3548XL Configuration

Example 3 Multi–VLAN Distribution Layer That Connects to Network Core

- Catalyst 2948G–L3–01 Configuration
- Catalyst 2948G–L3–02 Configuration
- Catalyst 2948G–01 Configuration
- Catalyst 2948G–15 Configuration
- Catalyst 6506–01 Configuration
- Catalyst 6506–02 Configuration

Related Information

Introduction

This document is an extension of the Catalyst 2948G–L3 Sample Configurations – Single VLAN, Multi–VLAN, and Multi–VLAN Distribution Layer Connecting to Network Core document. Refer to the Catalyst 2948G–L3 Sample Configurations – Single VLAN, Multi–VLAN, and Multi–VLAN Distribution Layer Connecting to Network Core for a more detailed explanation of the configuration examples in this document.

Prerequisites

Requirements

There are no specific requirements for this document.

Components Used

This document is not restricted to specific software and hardware versions.

Conventions

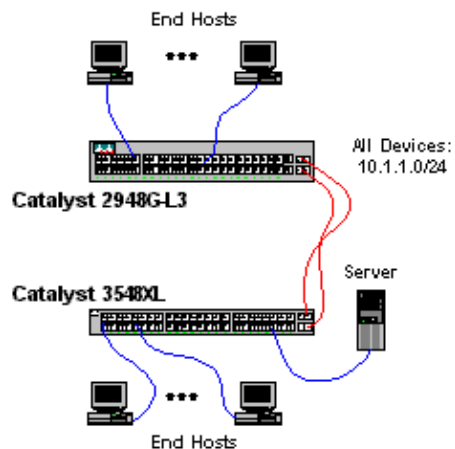
For more information on document conventions, refer to the Cisco Technical Tips Conventions.

Example 1 Single VLAN Network

The full device configurations in this section pertain to *Example 1: Single VLAN Network* section of the Catalyst 2948G–L3 Sample Configurations document.

- Catalyst 2948G–L3 Configuration
- Catalyst 3548XL Configuration

Figure 1: Example 1 Network Diagram



Catalyst 2948G–L3 Configuration

```
2948G-L3# show running-config
Building configuration...

Current configuration:
!
! Last configuration change at 04:16:10 PST Thu Jun 22 2000
! NVRAM config last updated at 04:16:11 PST Thu Jun 22 2000
!
version 12.0
no service pad
service timestamps debug datetime msec localtime
service timestamps log datetime msec localtime
no service password-encryption
!
hostname 2948G-L3
!
boot system flash bootflash:cat2948g-in-mz.120-7.W5.15d.bin
no logging console
enable password verysecret
!
clock timezone PST -8
clock calendar-valid
ip subnet-zero
bridge irb
!
!
!
interface Port-channel1
 no ip address
 no ip directed-broadcast
 bridge-group 1
 hold-queue 300 in
!
```

```
interface FastEthernet1
  no ip address
  no ip directed-broadcast
  bridge-group 1
  bridge-group 1 spanning-disabled
!
interface FastEthernet2
  no ip address
  no ip directed-broadcast
  bridge-group 1
  bridge-group 1 spanning-disabled
!
interface FastEthernet3
  no ip address
  no ip directed-broadcast
  bridge-group 1
  bridge-group 1 spanning-disabled
!
interface FastEthernet4
  no ip address
  no ip directed-broadcast
  bridge-group 1
  bridge-group 1 spanning-disabled
!
interface FastEthernet5
  no ip address
  no ip directed-broadcast
  bridge-group 1
  bridge-group 1 spanning-disabled
!
interface FastEthernet6
  no ip address
  no ip directed-broadcast
  bridge-group 1
  bridge-group 1 spanning-disabled
!
interface FastEthernet7
  no ip address
  no ip directed-broadcast
  bridge-group 1
  bridge-group 1 spanning-disabled
!
interface FastEthernet8
  no ip address
  no ip directed-broadcast
  bridge-group 1
  bridge-group 1 spanning-disabled
!
interface FastEthernet9
  no ip address
  no ip directed-broadcast
  bridge-group 1
  bridge-group 1 spanning-disabled
!
interface FastEthernet10
  no ip address
  no ip directed-broadcast
  bridge-group 1
  bridge-group 1 spanning-disabled
!
interface FastEthernet11
  no ip address
  no ip directed-broadcast
  bridge-group 1
  bridge-group 1 spanning-disabled
!
```

```
interface FastEthernet12
  no ip address
  no ip directed-broadcast
  bridge-group 1
  bridge-group 1 spanning-disabled
!
interface FastEthernet13
  no ip address
  no ip directed-broadcast
  bridge-group 1
  bridge-group 1 spanning-disabled
!
interface FastEthernet14
  no ip address
  no ip directed-broadcast
  bridge-group 1
  bridge-group 1 spanning-disabled
!
interface FastEthernet15
  no ip address
  no ip directed-broadcast
  bridge-group 1
  bridge-group 1 spanning-disabled
!
interface FastEthernet16
  no ip address
  no ip directed-broadcast
  bridge-group 1
  bridge-group 1 spanning-disabled
!
interface FastEthernet17
  no ip address
  no ip directed-broadcast
  bridge-group 1
  bridge-group 1 spanning-disabled
!
interface FastEthernet18
  no ip address
  no ip directed-broadcast
  bridge-group 1
  bridge-group 1 spanning-disabled
!
interface FastEthernet19
  no ip address
  no ip directed-broadcast
  bridge-group 1
  bridge-group 1 spanning-disabled
!
interface FastEthernet20
  no ip address
  no ip directed-broadcast
  bridge-group 1
  bridge-group 1 spanning-disabled
!
interface FastEthernet21
  no ip address
  no ip directed-broadcast
  bridge-group 1
  bridge-group 1 spanning-disabled
!
interface FastEthernet22
  no ip address
  no ip directed-broadcast
  bridge-group 1
  bridge-group 1 spanning-disabled
!
```

```
interface FastEthernet23
  no ip address
  no ip directed-broadcast
  bridge-group 1
  bridge-group 1 spanning-disabled
!
interface FastEthernet24
  no ip address
  no ip directed-broadcast
  bridge-group 1
  bridge-group 1 spanning-disabled
!
interface FastEthernet25
  no ip address
  no ip directed-broadcast
  bridge-group 1
  bridge-group 1 spanning-disabled
!
interface FastEthernet26
  no ip address
  no ip directed-broadcast
  bridge-group 1
  bridge-group 1 spanning-disabled
!
interface FastEthernet27
  no ip address
  no ip directed-broadcast
  bridge-group 1
  bridge-group 1 spanning-disabled
!
interface FastEthernet28
  no ip address
  no ip directed-broadcast
  bridge-group 1
  bridge-group 1 spanning-disabled
!
interface FastEthernet29
  no ip address
  no ip directed-broadcast
  bridge-group 1
  bridge-group 1 spanning-disabled
!
interface FastEthernet30
  no ip address
  no ip directed-broadcast
  bridge-group 1
  bridge-group 1 spanning-disabled
!
interface FastEthernet31
  no ip address
  no ip directed-broadcast
  bridge-group 1
  bridge-group 1 spanning-disabled
!
interface FastEthernet32
  no ip address
  no ip directed-broadcast
  bridge-group 1
  bridge-group 1 spanning-disabled
!
interface FastEthernet33
  no ip address
  no ip directed-broadcast
  bridge-group 1
  bridge-group 1 spanning-disabled
!
```

```
interface FastEthernet34
  no ip address
  no ip directed-broadcast
  bridge-group 1
  bridge-group 1 spanning-disabled
!
interface FastEthernet35
  no ip address
  no ip directed-broadcast
  bridge-group 1
  bridge-group 1 spanning-disabled
!
interface FastEthernet36
  no ip address
  no ip directed-broadcast
  bridge-group 1
  bridge-group 1 spanning-disabled
!
interface FastEthernet37
  no ip address
  no ip directed-broadcast
  bridge-group 1
  bridge-group 1 spanning-disabled
!
interface FastEthernet38
  no ip address
  no ip directed-broadcast
  bridge-group 1
  bridge-group 1 spanning-disabled
!
interface FastEthernet39
  no ip address
  no ip directed-broadcast
  bridge-group 1
  bridge-group 1 spanning-disabled
!
interface FastEthernet40
  no ip address
  no ip directed-broadcast
!
interface FastEthernet41
  no ip address
  no ip directed-broadcast
  bridge-group 1
  bridge-group 1 spanning-disabled
!
interface FastEthernet42
  no ip address
  no ip directed-broadcast
  bridge-group 1
  bridge-group 1 spanning-disabled
!
interface FastEthernet43
  no ip address
  no ip directed-broadcast
  bridge-group 1
  bridge-group 1 spanning-disabled
!
interface FastEthernet44
  no ip address
  no ip directed-broadcast
  bridge-group 1
  bridge-group 1 spanning-disabled
!
interface FastEthernet45
  no ip address
```

```

no ip directed-broadcast
bridge-group 1
bridge-group 1 spanning-disabled
!
interface FastEthernet46
no ip address
no ip directed-broadcast
bridge-group 1
bridge-group 1 spanning-disabled
!
interface FastEthernet47
no ip address
no ip directed-broadcast
bridge-group 1
bridge-group 1 spanning-disabled
!
interface FastEthernet48
no ip address
no ip directed-broadcast
bridge-group 1
bridge-group 1 spanning-disabled
!
interface GigabitEthernet49
no ip address
no ip directed-broadcast
no negotiation auto
channel-group 1
!
interface GigabitEthernet50
no ip address
no ip directed-broadcast
no negotiation auto
channel-group 1
!
interface BVI1
ip address 10.1.1.1 255.255.255.0
no ip directed-broadcast
no ip route-cache cef
!
ip classless
!
bridge 1 protocol ieee
bridge 1 route ip
!
line con 0
transport input none
line aux 0
line vty 0 4
password secret
login
!
end

2948G-L3#

```

Catalyst 3548XL Configuration

```

3548XL# show running-config
Building configuration...

```

```

Current configuration:

```

```

!
! Last configuration change at 04:09:54 PST Thu Jun 22 2000
! NVRAM config last updated at 04:01:04 PST Thu Jun 22 2000

```

```
!  
version 12.0  
no service pad  
service timestamps debug datetime msec localtime  
service timestamps log datetime msec localtime  
no service password-encryption  
!  
hostname 3548XL  
!  
no logging console  
enable password verysecret  
!  
!  
!  
!  
clock timezone PST -8  
!  
ip subnet-zero  
!  
!  
interface FastEthernet0/1  
  spanning-tree portfast  
!  
interface FastEthernet0/2  
  spanning-tree portfast  
!  
interface FastEthernet0/3  
  spanning-tree portfast  
!  
interface FastEthernet0/4  
  spanning-tree portfast  
!  
interface FastEthernet0/5  
  spanning-tree portfast  
!  
interface FastEthernet0/6  
  spanning-tree portfast  
!  
interface FastEthernet0/7  
  spanning-tree portfast  
!  
interface FastEthernet0/8  
  spanning-tree portfast  
!  
interface FastEthernet0/9  
  spanning-tree portfast  
!  
interface FastEthernet0/10  
  spanning-tree portfast  
!  
interface FastEthernet0/11  
  spanning-tree portfast  
!  
interface FastEthernet0/12  
  spanning-tree portfast  
!  
interface FastEthernet0/13  
  spanning-tree portfast  
!  
interface FastEthernet0/14  
  spanning-tree portfast  
!  
interface FastEthernet0/15  
  spanning-tree portfast
```



```
!  
interface FastEthernet0/16  
  spanning-tree portfast  
!  
interface FastEthernet0/17  
  spanning-tree portfast  
!  
interface FastEthernet0/18  
  spanning-tree portfast  
!  
interface FastEthernet0/19  
  spanning-tree portfast  
!  
interface FastEthernet0/20  
  spanning-tree portfast  
!  
interface FastEthernet0/21  
  spanning-tree portfast  
!  
interface FastEthernet0/22  
  spanning-tree portfast  
!  
interface FastEthernet0/23  
  spanning-tree portfast  
!  
interface FastEthernet0/24  
  spanning-tree portfast  
!  
interface FastEthernet0/25  
  spanning-tree portfast  
!  
interface FastEthernet0/26  
  spanning-tree portfast  
!  
interface FastEthernet0/27  
  spanning-tree portfast  
!  
interface FastEthernet0/28  
  spanning-tree portfast  
!  
interface FastEthernet0/29  
  spanning-tree portfast  
!  
interface FastEthernet0/30  
  spanning-tree portfast  
!  
interface FastEthernet0/31  
  spanning-tree portfast  
!  
interface FastEthernet0/32  
  spanning-tree portfast  
!  
interface FastEthernet0/33  
  spanning-tree portfast  
!  
interface FastEthernet0/34  
  spanning-tree portfast  
!  
interface FastEthernet0/35  
  spanning-tree portfast  
!  
interface FastEthernet0/36  
  spanning-tree portfast  
!  
interface FastEthernet0/37  
  spanning-tree portfast
```

```

!
interface FastEthernet0/38
 spanning-tree portfast
!
interface FastEthernet0/39
 spanning-tree portfast
!
interface FastEthernet0/40
 spanning-tree portfast
!
interface FastEthernet0/41
 spanning-tree portfast
!
interface FastEthernet0/42
 spanning-tree portfast
!
interface FastEthernet0/43
 spanning-tree portfast
!
interface FastEthernet0/44
 spanning-tree portfast
!
interface FastEthernet0/45
 spanning-tree portfast
!
interface FastEthernet0/46
 spanning-tree portfast
!
interface FastEthernet0/47
 spanning-tree portfast
!
interface FastEthernet0/48
 spanning-tree portfast
!
interface GigabitEthernet0/1
 no negotiation auto
 port group 1
!
interface GigabitEthernet0/2
 no negotiation auto
 port group 1
!
interface VLAN1
 ip address 10.1.1.2 255.255.255.0
 no ip directed-broadcast
 no ip route-cache
!
!
line con 0
 transport input none
 stopbits 1
line vty 0 4
 password secret
 login
line vty 5 15
 login
!
end

3548XL#

```

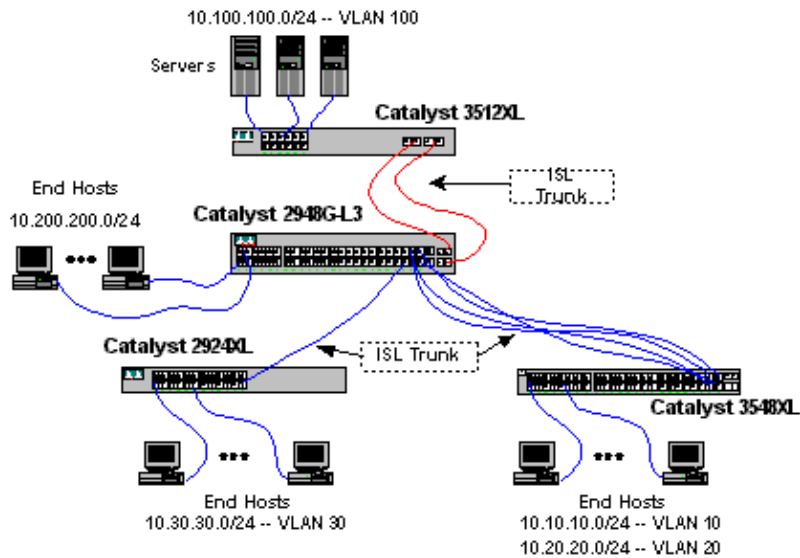
Example 2 Multi-VLAN Network

The full device configurations in this section are for *Example 2: Multi-VLAN Network* of the Catalyst

2948G-L3 Sample Configurations.

- Catalyst 2948G-L3 Configuration
- Catalyst 3512XL Configuration
- Catalyst 2924XL Configuration
- Catalyst 3548XL Configuration

Figure 2: Example 2 Network Diagram



Catalyst 2948G-L3 Configuration

```
2948G-L3# show running-config
Building configuration...
```

```
Current configuration:
```

```
!
! Last configuration change at 04:48:24 PST Thu Jun 22 2000
! NVRAM config last updated at 04:45:02 PST Thu Jun 22 2000
!
version 12.0
no service pad
service timestamps debug datetime msec localtime
service timestamps log datetime msec localtime
no service password-encryption
!
hostname 2948G-L3
!
no logging console
enable password verysecret
!
clock timezone PST -8
clock calendar-valid
ip subnet-zero
bridge irb
!
!
!
interface Port-channel1
no ip address
no ip directed-broadcast
hold-queue 300 in
!
```

```
interface Port-channel1.1
  encapsulation isl 1
  no ip redirects
  no ip directed-broadcast
  bridge-group 1
!
interface Port-channel1.100
  encapsulation isl 100
  ip address 10.100.100.1 255.255.255.0
  no ip redirects
  no ip directed-broadcast
!
interface Port-channel2
  no ip address
  no ip directed-broadcast
  hold-queue 300 in
!
interface Port-channel2.1
  encapsulation isl 1
  no ip redirects
  no ip directed-broadcast
  bridge-group 1
!
interface Port-channel2.10
  encapsulation isl 10
  ip address 10.10.10.1 255.255.255.0
  no ip redirects
  no ip directed-broadcast
!
interface Port-channel2.20
  encapsulation isl 20
  ip address 10.20.20.1 255.255.255.0
  no ip redirects
  no ip directed-broadcast
!
interface FastEthernet1
  no ip address
  no ip directed-broadcast
  bridge-group 200
  bridge-group 200 spanning-disabled
!
interface FastEthernet2
  no ip address
  no ip directed-broadcast
  bridge-group 200
  bridge-group 200 spanning-disabled
!
interface FastEthernet3
  no ip address
  no ip directed-broadcast
  bridge-group 200
  bridge-group 200 spanning-disabled
!
interface FastEthernet4
  no ip address
  no ip directed-broadcast
  bridge-group 200
  bridge-group 200 spanning-disabled
!
interface FastEthernet5
  no ip address
  no ip directed-broadcast
  bridge-group 200
  bridge-group 200 spanning-disabled
!
interface FastEthernet6
```

```
no ip address
no ip directed-broadcast
bridge-group 200
bridge-group 200 spanning-disabled
!
interface FastEthernet7
no ip address
no ip directed-broadcast
bridge-group 200
bridge-group 200 spanning-disabled
!
interface FastEthernet8
no ip address
no ip directed-broadcast
bridge-group 200
bridge-group 200 spanning-disabled
!
interface FastEthernet9
no ip address
no ip directed-broadcast
bridge-group 200
bridge-group 200 spanning-disabled
!
interface FastEthernet10
no ip address
no ip directed-broadcast
bridge-group 200
bridge-group 200 spanning-disabled
!
interface FastEthernet11
no ip address
no ip directed-broadcast
bridge-group 200
bridge-group 200 spanning-disabled
!
interface FastEthernet12
no ip address
no ip directed-broadcast
bridge-group 200
bridge-group 200 spanning-disabled
!
interface FastEthernet13
no ip address
no ip directed-broadcast
bridge-group 200
bridge-group 200 spanning-disabled
!
interface FastEthernet14
no ip address
no ip directed-broadcast
bridge-group 200
bridge-group 200 spanning-disabled
!
interface FastEthernet15
no ip address
no ip directed-broadcast
bridge-group 200
bridge-group 200 spanning-disabled
!
interface FastEthernet16
no ip address
no ip directed-broadcast
bridge-group 200
bridge-group 200 spanning-disabled
!
interface FastEthernet17
```

```
no ip address
no ip directed-broadcast
bridge-group 200
bridge-group 200 spanning-disabled
!
interface FastEthernet18
no ip address
no ip directed-broadcast
bridge-group 200
bridge-group 200 spanning-disabled
!
interface FastEthernet19
no ip address
no ip directed-broadcast
bridge-group 200
bridge-group 200 spanning-disabled
!
interface FastEthernet20
no ip address
no ip directed-broadcast
bridge-group 200
bridge-group 200 spanning-disabled
!
interface FastEthernet21
no ip address
no ip directed-broadcast
bridge-group 200
bridge-group 200 spanning-disabled
!
interface FastEthernet22
no ip address
no ip directed-broadcast
bridge-group 200
bridge-group 200 spanning-disabled
!
interface FastEthernet23
no ip address
no ip directed-broadcast
bridge-group 200
bridge-group 200 spanning-disabled
!
interface FastEthernet24
no ip address
no ip directed-broadcast
bridge-group 200
bridge-group 200 spanning-disabled
!
interface FastEthernet25
no ip address
no ip directed-broadcast
bridge-group 200
bridge-group 200 spanning-disabled
!
interface FastEthernet26
no ip address
no ip directed-broadcast
bridge-group 200
bridge-group 200 spanning-disabled
!
interface FastEthernet27
no ip address
no ip directed-broadcast
bridge-group 200
bridge-group 200 spanning-disabled
!
interface FastEthernet28
```

```
no ip address
no ip directed-broadcast
bridge-group 200
bridge-group 200 spanning-disabled
!
interface FastEthernet29
no ip address
no ip directed-broadcast
bridge-group 200
bridge-group 200 spanning-disabled
!
interface FastEthernet30
no ip address
no ip directed-broadcast
bridge-group 200
bridge-group 200 spanning-disabled
!
interface FastEthernet31
no ip address
no ip directed-broadcast
bridge-group 200
bridge-group 200 spanning-disabled
!
interface FastEthernet32
no ip address
no ip directed-broadcast
bridge-group 200
bridge-group 200 spanning-disabled
!
interface FastEthernet33
no ip address
no ip directed-broadcast
bridge-group 200
bridge-group 200 spanning-disabled
!
interface FastEthernet34
no ip address
no ip directed-broadcast
bridge-group 200
bridge-group 200 spanning-disabled
!
interface FastEthernet35
no ip address
no ip directed-broadcast
bridge-group 200
bridge-group 200 spanning-disabled
!
interface FastEthernet36
no ip address
no ip directed-broadcast
bridge-group 200
bridge-group 200 spanning-disabled
!
interface FastEthernet37
no ip address
no ip directed-broadcast
bridge-group 200
bridge-group 200 spanning-disabled
!
interface FastEthernet38
no ip address
no ip directed-broadcast
bridge-group 200
bridge-group 200 spanning-disabled
!
interface FastEthernet39
```

```
no ip address
no ip directed-broadcast
bridge-group 200
bridge-group 200 spanning-disabled
!
interface FastEthernet40
no ip address
no ip directed-broadcast
bridge-group 200
bridge-group 200 spanning-disabled
!
interface FastEthernet41
no ip address
no ip directed-broadcast
bridge-group 200
bridge-group 200 spanning-disabled
!
interface FastEthernet42
no ip address
no ip directed-broadcast
bridge-group 200
bridge-group 200 spanning-disabled
!
interface FastEthernet43
no ip address
no ip directed-broadcast
bridge-group 200
bridge-group 200 spanning-disabled
!
interface FastEthernet44
no ip address
no ip directed-broadcast
!
interface FastEthernet44.1
encapsulation isl 1
no ip redirects
no ip directed-broadcast
bridge-group 1
!
interface FastEthernet44.30
encapsulation isl 30
ip address 10.30.30.1 255.255.255.0
no ip redirects
no ip directed-broadcast
!
interface FastEthernet45
no ip address
no ip directed-broadcast
channel-group 2
!
interface FastEthernet46
no ip address
no ip directed-broadcast
channel-group 2
!
interface FastEthernet47
no ip address
no ip directed-broadcast
channel-group 2
!
interface FastEthernet48
no ip address
no ip directed-broadcast
channel-group 2
!
interface GigabitEthernet49
```



```

no ip address
no ip directed-broadcast
no negotiation auto
channel-group 1
!
interface GigabitEthernet50
no ip address
no ip directed-broadcast
no negotiation auto
channel-group 1
!
interface BVI1
ip address 10.1.1.1 255.255.255.0
no ip directed-broadcast
no ip route-cache cef
!
interface BVI200
ip address 10.200.200.1 255.255.255.0
no ip directed-broadcast
no ip route-cache cef
!
ip classless
!
bridge 1 protocol ieee
bridge 1 route ip
bridge 200 protocol ieee
bridge 200 route ip
!
line con 0
transport input none
line aux 0
line vty 0 4
password secret
login
!
end

2948G-L3#

```

Catalyst 3512XL Configuration

```

3512XL# show running-config
Building configuration...

Current configuration:
!
! Last configuration change at 12:52:31 PST Thu Jun 22 2000
! NVRAM config last updated at 12:52:32 PST Thu Jun 22 2000
!
version 12.0
no service pad
service timestamps debug datetime msec localtime
service timestamps log datetime msec localtime
no service password-encryption
!
hostname 3512XL
!
no logging console
enable password verysecret
!
!
!
!
clock timezone PST -8

```

```
!  
ip subnet-zero  
!  
!  
!  
interface FastEthernet0/1  
  switchport access vlan 100  
  spanning-tree portfast  
!  
interface FastEthernet0/2  
  switchport access vlan 100  
  spanning-tree portfast  
!  
interface FastEthernet0/3  
  switchport access vlan 100  
  spanning-tree portfast  
!  
interface FastEthernet0/4  
  switchport access vlan 100  
  spanning-tree portfast  
!  
interface FastEthernet0/5  
  switchport access vlan 100  
  spanning-tree portfast  
!  
interface FastEthernet0/6  
  switchport access vlan 100  
  spanning-tree portfast  
!  
interface FastEthernet0/7  
  switchport access vlan 100  
  spanning-tree portfast  
!  
interface FastEthernet0/8  
  switchport access vlan 100  
  spanning-tree portfast  
!  
interface FastEthernet0/9  
  switchport access vlan 100  
  spanning-tree portfast  
!  
interface FastEthernet0/10  
  switchport access vlan 100  
  spanning-tree portfast  
!  
interface FastEthernet0/11  
  switchport access vlan 100  
  spanning-tree portfast  
!  
interface FastEthernet0/12  
  switchport access vlan 100  
  spanning-tree portfast  
!  
interface GigabitEthernet0/1  
  no negotiation auto  
  port group 1  
  switchport mode trunk  
!  
interface GigabitEthernet0/2  
  no negotiation auto  
  port group 1  
  switchport mode trunk  
!  
interface VLAN1  
  ip address 10.1.1.2 255.255.255.0  
  no ip directed-broadcast
```

```
no ip route-cache
!
ip default-gateway 10.1.1.1
!
line con 0
  transport input none
  stopbits 1
line vty 0 4
  password secret
  login
line vty 5 15
  login
!
end

3512XL#
```

Catalyst 2924XL Configuration

```
2924XL# show running-config
Building configuration...

Current configuration:
!
! Last configuration change at 12:58:30 PST Thu Jun 22 2000
! NVRAM config last updated at 12:58:40 PST Thu Jun 22 2000
!
version 12.0
no service pad
service timestamps debug datetime msec localtime
service timestamps log datetime msec localtime
no service password-encryption
!
hostname 2924XL
!
no logging console
enable password verysecret
!
!
!
!
clock timezone PST -8
!
ip subnet-zero
!
!
!
interface FastEthernet0/1
  switchport access vlan 30
  spanning-tree portfast
!
interface FastEthernet0/2
  switchport access vlan 30
  spanning-tree portfast
!
interface FastEthernet0/3
  switchport access vlan 30
  spanning-tree portfast
!
interface FastEthernet0/4
  switchport access vlan 30
  spanning-tree portfast
!
interface FastEthernet0/5
```

```
switchport access vlan 30
spanning-tree portfast
!
interface FastEthernet0/6
switchport access vlan 30
spanning-tree portfast
!
interface FastEthernet0/7
switchport access vlan 30
spanning-tree portfast
!
interface FastEthernet0/8
switchport access vlan 30
spanning-tree portfast
!
interface FastEthernet0/9
switchport access vlan 30
spanning-tree portfast
!
interface FastEthernet0/10
switchport access vlan 30
spanning-tree portfast
!
interface FastEthernet0/11
switchport access vlan 30
spanning-tree portfast
!
interface FastEthernet0/12
switchport access vlan 30
spanning-tree portfast
!
interface FastEthernet0/13
switchport access vlan 30
spanning-tree portfast
!
interface FastEthernet0/14
switchport access vlan 30
spanning-tree portfast
!
interface FastEthernet0/15
switchport access vlan 30
spanning-tree portfast
!
interface FastEthernet0/16
switchport access vlan 30
spanning-tree portfast
!
interface FastEthernet0/17
switchport access vlan 30
spanning-tree portfast
!
interface FastEthernet0/18
switchport access vlan 30
spanning-tree portfast
!
interface FastEthernet0/19
switchport access vlan 30
spanning-tree portfast
!
interface FastEthernet0/20
switchport access vlan 30
spanning-tree portfast
!
interface FastEthernet0/21
switchport access vlan 30
spanning-tree portfast
```

```

!
interface FastEthernet0/22
  switchport access vlan 30
  spanning-tree portfast
!
interface FastEthernet0/23
  switchport access vlan 30
  spanning-tree portfast
!
interface FastEthernet0/24
  switchport mode trunk
!
interface VLAN1
  ip address 10.1.1.4 255.255.255.0
  no ip directed-broadcast
  no ip route-cache
!
ip default-gateway 10.1.1.1
!
line con 0
  transport input none
  stopbits 1
line vty 0 4
  password secret
  login
line vty 5 15
  login
!
end

2924XL#

```

Catalyst 3548XL Configuration

```

3548XL# show running-config
Building configuration...

Current configuration:
!
! Last configuration change at 12:56:22 PST Thu Jun 22 2000
! NVRAM config last updated at 12:56:23 PST Thu Jun 22 2000
!
version 12.0
no service pad
service timestamps debug datetime msec localtime
service timestamps log datetime msec localtime
no service password-encryption
!
hostname 3548XL
!
no logging console
enable password verysecret
!
!
!
!
clock timezone PST -8
!
ip subnet-zero
!
!
!
interface FastEthernet0/1
  switchport access vlan 10

```

```
spanning-tree portfast
!
interface FastEthernet0/2
  switchport access vlan 10
  spanning-tree portfast
!
interface FastEthernet0/3
  switchport access vlan 10
  spanning-tree portfast
!
interface FastEthernet0/4
  switchport access vlan 10
  spanning-tree portfast
!
interface FastEthernet0/5
  switchport access vlan 10
  spanning-tree portfast
!
interface FastEthernet0/6
  switchport access vlan 10
  spanning-tree portfast
!
interface FastEthernet0/7
  switchport access vlan 10
  spanning-tree portfast
!
interface FastEthernet0/8
  switchport access vlan 10
  spanning-tree portfast
!
interface FastEthernet0/9
  switchport access vlan 10
  spanning-tree portfast
!
interface FastEthernet0/10
  switchport access vlan 10
  spanning-tree portfast
!
interface FastEthernet0/11
  switchport access vlan 10
  spanning-tree portfast
!
interface FastEthernet0/12
  switchport access vlan 10
  spanning-tree portfast
!
interface FastEthernet0/13
  switchport access vlan 10
  spanning-tree portfast
!
interface FastEthernet0/14
  switchport access vlan 10
  spanning-tree portfast
!
interface FastEthernet0/15
  switchport access vlan 10
  spanning-tree portfast
!
interface FastEthernet0/16
  switchport access vlan 10
  spanning-tree portfast
!
interface FastEthernet0/17
  switchport access vlan 10
  spanning-tree portfast
!
```

```
interface FastEthernet0/18
  switchport access vlan 10
  spanning-tree portfast
!
interface FastEthernet0/19
  switchport access vlan 10
  spanning-tree portfast
!
interface FastEthernet0/20
  switchport access vlan 10
  spanning-tree portfast
!
interface FastEthernet0/21
  switchport access vlan 10
  spanning-tree portfast
!
interface FastEthernet0/22
  switchport access vlan 10
  spanning-tree portfast
!
interface FastEthernet0/23
  switchport access vlan 10
  spanning-tree portfast
!
interface FastEthernet0/24
  switchport access vlan 10
  spanning-tree portfast
!
interface FastEthernet0/25
  switchport access vlan 20
  spanning-tree portfast
!
interface FastEthernet0/26
  switchport access vlan 20
  spanning-tree portfast
!
interface FastEthernet0/27
  switchport access vlan 20
  spanning-tree portfast
!
interface FastEthernet0/28
  switchport access vlan 20
  spanning-tree portfast
!
interface FastEthernet0/29
  switchport access vlan 20
  spanning-tree portfast
!
interface FastEthernet0/30
  switchport access vlan 20
  spanning-tree portfast
!
interface FastEthernet0/31
  switchport access vlan 20
  spanning-tree portfast
!
interface FastEthernet0/32
  switchport access vlan 20
  spanning-tree portfast
!
interface FastEthernet0/33
  switchport access vlan 20
  spanning-tree portfast
!
interface FastEthernet0/34
  switchport access vlan 20
```

```
spanning-tree portfast
!
interface FastEthernet0/35
switchport access vlan 20
spanning-tree portfast
!
interface FastEthernet0/36
switchport access vlan 20
spanning-tree portfast
!
interface FastEthernet0/37
switchport access vlan 20
spanning-tree portfast
!
interface FastEthernet0/38
switchport access vlan 20
spanning-tree portfast
!
interface FastEthernet0/39
switchport access vlan 20
spanning-tree portfast
!
interface FastEthernet0/40
switchport access vlan 20
spanning-tree portfast
!
interface FastEthernet0/41
switchport access vlan 20
spanning-tree portfast
!
interface FastEthernet0/42
switchport access vlan 20
spanning-tree portfast
!
interface FastEthernet0/43
switchport access vlan 20

spanning-tree portfast
!
interface FastEthernet0/44
switchport access vlan 20
spanning-tree portfast
!
interface FastEthernet0/45
port group 1
switchport mode trunk
!
interface FastEthernet0/46
port group 1
switchport mode trunk
!
interface FastEthernet0/47
port group 1
switchport mode trunk
!
interface FastEthernet0/48
port group 1
switchport mode trunk
!
interface GigabitEthernet0/1
!
interface GigabitEthernet0/2
!
interface VLAN1
ip address 10.1.1.3 255.255.255.0
no ip directed-broadcast
```



```

no ip route-cache
!
ip default-gateway 10.1.1.1
!
line con 0
transport input none
stopbits 1
line vty 0 4
password secret
login
line vty 5 15
login
!
end

3548XL#

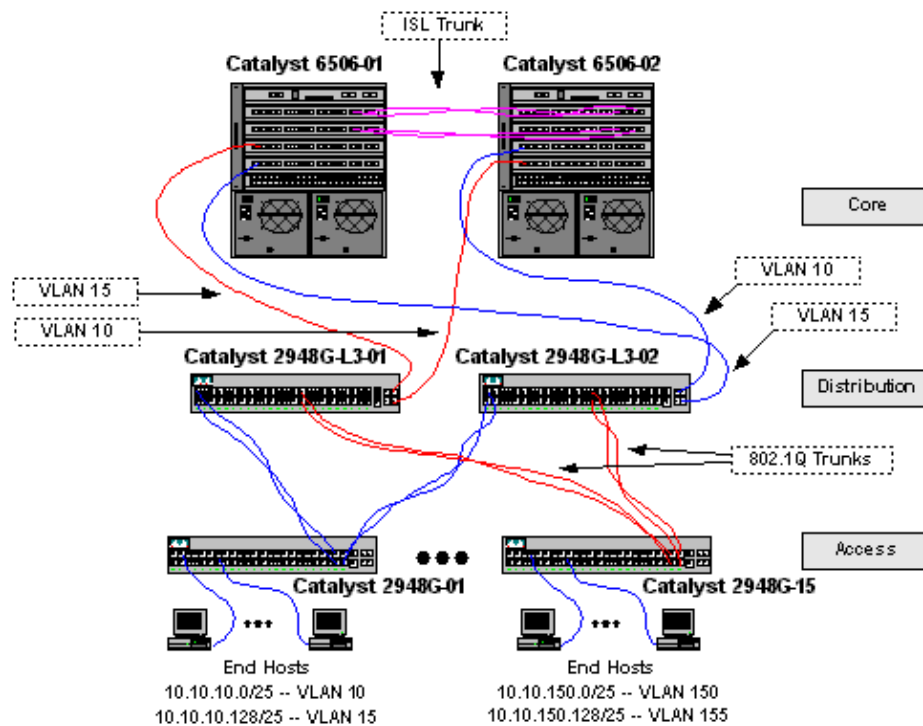
```

Example 3 Multi-VLAN Distribution Layer That Connects to Network Core

The full device configurations in this section pertain to *Example 3: Multi-VLAN Distribution Layer Connecting to Network Core* of the Catalyst 2948G-L3 Sample Configurations.

- Catalyst 2948G-L3-01 Configuration
- Catalyst 2948G-L3-02 Configuration
- Catalyst 2948G-01 Configuration
- Catalyst 2948G-15 Configuration
- Catalyst 6506-01 Configuration
- Catalyst 6506-02 Configuration

Figure 3: Example 3 Network Diagram



Catalyst 2948G-L3-01 Configuration

```
2948G-L3-01# show running-config
```

```
Building configuration...
```

```
Current configuration:
```

```
!  
! Last configuration change at 07:30:32 PST Fri Jun 23 2000  
! NVRAM config last updated at 07:30:33 PST Fri Jun 23 2000  
!  
version 12.0  
no service pad  
service timestamps debug datetime msec localtime  
service timestamps log datetime msec localtime  
no service password-encryption  
!  
hostname 2948G-L3-01  
!  
no logging console  
enable password verysecret  
!  
clock timezone PST -8  
clock calendar-valid  
ip subnet-zero  
!  
!  
interface Port-channel1  
description Channel_to_2948G-01  
no ip address  
no ip directed-broadcast  
hold-queue 300 in  
!  
interface Port-channel1.1  
encapsulation dot1Q 1 native  
no ip redirects  
no ip directed-broadcast  
!  
interface Port-channel1.10  
encapsulation dot1Q 10  
ip address 10.10.10.2 255.255.255.128  
no ip redirects  
no ip directed-broadcast  
standby 10 priority 100  
standby 10 preempt  
standby 10 authentication C10-10  
standby 10 ip 10.10.10.1  
standby 10 track GigabitEthernet49 20  
standby 10 track GigabitEthernet50 20  
!  
interface Port-channel1.15  
encapsulation dot1Q 15  
ip address 10.10.10.130 255.255.255.128  
no ip redirects  
no ip directed-broadcast  
standby 15 priority 110  
standby 15 preempt  
standby 15 authentication C10-15  
standby 15 ip 10.10.10.129  
standby 15 track GigabitEthernet49 20  
standby 15 track GigabitEthernet50 20  
!  
interface Port-channel2  
description Channel_to_2948G-02  
no ip address  
no ip directed-broadcast
```

```
hold-queue 300 in
!
interface Port-channel2.1
 encapsulation dot1Q 1 native
 no ip redirects
 no ip directed-broadcast
!
interface Port-channel2.20
 encapsulation dot1Q 20
 ip address 10.10.20.2 255.255.255.128
 no ip redirects
 no ip directed-broadcast
 standby 20 priority 100
 standby 20 preempt
 standby 20 authentication C10-20
 standby 20 ip 10.10.20.1
 standby 20 track GigabitEthernet49 20
 standby 20 track GigabitEthernet50 20
!
interface Port-channel2.25
 encapsulation dot1Q 25
 ip address 10.10.20.130 255.255.255.128
 no ip redirects
 no ip directed-broadcast
 standby 25 priority 110
 standby 25 preempt
 standby 25 authentication C10-25
 standby 25 ip 10.10.20.129
 standby 25 track GigabitEthernet49 20
 standby 25 track GigabitEthernet50 20
!
interface Port-channel3
 description Channel_to_2948G-03
 no ip address
 no ip directed-broadcast
 hold-queue 300 in
!
interface Port-channel3.1
 encapsulation dot1Q 1 native
 no ip redirects
 no ip directed-broadcast
!
interface Port-channel3.30
 encapsulation dot1Q 30
 ip address 10.10.30.2 255.255.255.128
 no ip redirects
 no ip directed-broadcast
 standby 30 priority 100
 standby 30 preempt
 standby 30 authentication C10-30
 standby 30 ip 10.10.30.1
 standby 30 track GigabitEthernet49 20
 standby 30 track GigabitEthernet50 20
!
interface Port-channel3.35
 encapsulation dot1Q 35
 ip address 10.10.30.130 255.255.255.128
 no ip redirects
 no ip directed-broadcast
 standby 35 priority 110
 standby 35 preempt
 standby 35 authentication C10-35
 standby 35 ip 10.10.30.129
 standby 35 track GigabitEthernet49 20
 standby 35 track GigabitEthernet50 20
!
```

```
interface Port-channel4
description Channel_to_2948G-04
no ip address
no ip directed-broadcast
hold-queue 300 in
!
interface Port-channel4.1
encapsulation dot1Q 1 native
no ip redirects
no ip directed-broadcast
!
interface Port-channel4.40
encapsulation dot1Q 40
ip address 10.10.40.2 255.255.255.128
no ip redirects
no ip directed-broadcast
standby 40 priority 100
standby 40 preempt
standby 40 authentication C10-40
standby 40 ip 10.10.40.1
standby 40 track GigabitEthernet49 20
standby 40 track GigabitEthernet50 20
!
interface Port-channel4.45
encapsulation dot1Q 45
ip address 10.10.40.130 255.255.255.128
no ip redirects
no ip directed-broadcast
standby 45 priority 110
standby 45 preempt
standby 45 authentication C10-45
standby 45 ip 10.10.40.129
standby 45 track GigabitEthernet49 20
standby 45 track GigabitEthernet50 20
!
interface Port-channel5
description Channel_to_2948G-05
no ip address
no ip directed-broadcast
hold-queue 300 in
!
interface Port-channel5.1
encapsulation dot1Q 1 native
no ip redirects
no ip directed-broadcast
!
interface Port-channel5.50
encapsulation dot1Q 50
ip address 10.10.50.2 255.255.255.128
no ip redirects
no ip directed-broadcast
standby 50 priority 100
standby 50 preempt
standby 50 authentication C10-50
standby 50 ip 10.10.50.1
standby 50 track GigabitEthernet49 20
standby 50 track GigabitEthernet50 20
!
interface Port-channel5.55
encapsulation dot1Q 55
ip address 10.10.50.130 255.255.255.128
no ip redirects
no ip directed-broadcast
standby 55 priority 110
standby 55 preempt
standby 55 authentication C10-55
```

```
standby 55 ip 10.10.50.129
standby 55 track GigabitEthernet49 20
standby 55 track GigabitEthernet50 20
!
interface Port-channel6
description Channel_to_2948G-06
no ip address
no ip directed-broadcast
hold-queue 300 in
!
interface Port-channel6.1
encapsulation dot1Q 1 native
no ip redirects
no ip directed-broadcast
!
interface Port-channel6.60
encapsulation dot1Q 60
ip address 10.10.60.2 255.255.255.128
no ip redirects
no ip directed-broadcast
standby 60 priority 100
standby 60 preempt
standby 60 authentication C10-60
standby 60 ip 10.10.60.1
standby 60 track GigabitEthernet49 20
standby 60 track GigabitEthernet50 20
!
interface Port-channel6.65
encapsulation dot1Q 65
ip address 10.10.60.130 255.255.255.128
no ip redirects
no ip directed-broadcast
standby 65 priority 110
standby 65 preempt
standby 65 authentication C10-65
standby 65 ip 10.10.60.129
standby 65 track GigabitEthernet49 20
standby 65 track GigabitEthernet50 20
!
interface Port-channel7
description Channel_to_2948G-07
no ip address
no ip directed-broadcast
hold-queue 300 in
!
interface Port-channel7.1
encapsulation dot1Q 1 native
no ip redirects
no ip directed-broadcast
!
interface Port-channel7.70
encapsulation dot1Q 70
ip address 10.10.70.2 255.255.255.128
no ip redirects
no ip directed-broadcast
standby 70 priority 100
standby 70 preempt
standby 70 authentication C10-70
standby 70 ip 10.10.70.1
standby 70 track GigabitEthernet49 20
standby 70 track GigabitEthernet50 20
!
interface Port-channel7.75
encapsulation dot1Q 75
ip address 10.10.70.130 255.255.255.128
no ip redirects
```

```
no ip directed-broadcast
standby 75 priority 110
standby 75 preempt
standby 75 authentication C10-75
standby 75 ip 10.10.70.129
standby 75 track GigabitEthernet49 20
standby 75 track GigabitEthernet50 20
!
interface Port-channel8
description Channel_to_2948G-08
no ip address
no ip directed-broadcast
hold-queue 300 in
!
interface Port-channel8.1
encapsulation dot1Q 1 native
no ip redirects
no ip directed-broadcast
!
interface Port-channel8.80
encapsulation dot1Q 80
ip address 10.10.80.2 255.255.255.128
no ip redirects
no ip directed-broadcast
standby 80 priority 100
standby 80 preempt
standby 80 authentication C10-80
standby 80 ip 10.10.80.1
standby 80 track GigabitEthernet49 20
standby 80 track GigabitEthernet50 20
!
interface Port-channel8.85
encapsulation dot1Q 85
ip address 10.10.80.130 255.255.255.128
no ip redirects
no ip directed-broadcast
standby 85 priority 110
standby 85 preempt
standby 85 authentication C10-85
standby 85 ip 10.10.80.129
standby 85 track GigabitEthernet49 20
standby 85 track GigabitEthernet50 20
!
interface Port-channel9
description Channel_to_2948G-09
no ip address
no ip directed-broadcast
hold-queue 300 in
!
interface Port-channel9.1
encapsulation dot1Q 1 native
no ip redirects
no ip directed-broadcast
!
interface Port-channel9.90
encapsulation dot1Q 90
ip address 10.10.90.2 255.255.255.128
no ip redirects
no ip directed-broadcast
standby 90 priority 100
standby 90 preempt
standby 90 authentication C10-90
standby 90 ip 10.10.90.1
standby 90 track GigabitEthernet49 20
standby 90 track GigabitEthernet50 20
!
```

```
interface Port-channel9.95
 encapsulation dot1Q 95
 ip address 10.10.90.130 255.255.255.128
 no ip redirects
 no ip directed-broadcast
 standby 95 priority 110
 standby 95 preempt
 standby 95 authentication C10-95
 standby 95 ip 10.10.90.129
 standby 95 track GigabitEthernet49 20
 standby 95 track GigabitEthernet50 20
!
interface Port-channel10
 description Channel_to_2948G-10
 no ip address
 no ip directed-broadcast
 hold-queue 300 in
!
interface Port-channel10.1
 encapsulation dot1Q 1 native
 no ip redirects
 no ip directed-broadcast
!
interface Port-channel10.100
 encapsulation dot1Q 100
 ip address 10.10.100.2 255.255.255.128
 no ip redirects
 no ip directed-broadcast
 standby 100 priority 100
 standby 100 preempt
 standby 100 authentication C10-100
 standby 100 ip 10.10.100.1
 standby 100 track GigabitEthernet49 20
 standby 100 track GigabitEthernet50 20
!
interface Port-channel10.105
 encapsulation dot1Q 105
 ip address 10.10.100.130 255.255.255.128
 no ip redirects
 no ip directed-broadcast
 standby 105 priority 110
 standby 105 preempt
 standby 105 authentication C10-105
 standby 105 ip 10.10.100.129
 standby 105 track GigabitEthernet49 20
 standby 105 track GigabitEthernet50 20
!
interface Port-channel11
 description Channel_to_2948G-11
 no ip address
 no ip directed-broadcast
 hold-queue 300 in
!
interface Port-channel11.1
 encapsulation dot1Q 1 native
 no ip redirects
 no ip directed-broadcast
!
interface Port-channel11.110
 encapsulation dot1Q 110
 ip address 10.10.110.2 255.255.255.128
 no ip redirects
 no ip directed-broadcast
 standby 110 priority 100
 standby 110 preempt
 standby 110 authentication C10-110
```

```
standby 110 ip 10.10.110.1
standby 110 track GigabitEthernet49 20
standby 110 track GigabitEthernet50 20
!
interface Port-channel11.115
encapsulation dot1Q 115
ip address 10.10.110.130 255.255.255.128
no ip redirects
no ip directed-broadcast
standby 115 priority 110
standby 115 preempt
standby 115 authentication C10-115
standby 115 ip 10.10.110.129
standby 115 track GigabitEthernet49 20
standby 115 track GigabitEthernet50 20
!
interface Port-channel12
description Channel_to_2948G-12
no ip address
no ip directed-broadcast
hold-queue 300 in
!
interface Port-channel12.1
encapsulation dot1Q 1 native
no ip redirects
no ip directed-broadcast
!
interface Port-channel12.120
encapsulation dot1Q 120
ip address 10.10.120.2 255.255.255.128
no ip redirects
no ip directed-broadcast
standby 120 priority 100
standby 120 preempt
standby 120 authentication C10-120
standby 120 ip 10.10.120.1
standby 120 track GigabitEthernet49 20
standby 120 track GigabitEthernet50 20
!
interface Port-channel12.125
encapsulation dot1Q 125
ip address 10.10.120.130 255.255.255.128
no ip redirects
no ip directed-broadcast
standby 125 priority 110
standby 125 preempt
standby 125 authentication C10-125
standby 125 ip 10.10.120.129
standby 125 track GigabitEthernet49 20
standby 125 track GigabitEthernet50 20
!
interface Port-channel13
description Channel_to_2948G-13
no ip address
no ip directed-broadcast
hold-queue 300 in
!
interface Port-channel13.1
encapsulation dot1Q 1 native
no ip redirects
no ip directed-broadcast
!
interface Port-channel13.130
encapsulation dot1Q 130
ip address 10.10.130.2 255.255.255.128
no ip redirects
```



```
no ip directed-broadcast
standby 130 priority 100
standby 130 preempt
standby 130 authentication C10-130
standby 130 ip 10.10.130.1
standby 130 track GigabitEthernet49 20
standby 130 track GigabitEthernet50 20
!
interface Port-channel13.135
encapsulation dot1Q 135
ip address 10.10.130.130 255.255.255.128
no ip redirects
no ip directed-broadcast
standby 135 priority 110
standby 135 preempt
standby 135 authentication C10-135
standby 135 ip 10.10.130.129
standby 135 track GigabitEthernet49 20
standby 135 track GigabitEthernet50 20
!
interface Port-channel14
description Channel_to_2948G-14
no ip address
no ip directed-broadcast
hold-queue 300 in
!
interface Port-channel14.1
encapsulation dot1Q 1 native
no ip redirects
no ip directed-broadcast
!
interface Port-channel14.140
encapsulation dot1Q 140
ip address 10.10.140.2 255.255.255.128
no ip redirects
no ip directed-broadcast
standby 140 priority 100
standby 140 preempt
standby 140 authentication C10-140
standby 140 ip 10.10.140.1
standby 140 track GigabitEthernet49 20
standby 140 track GigabitEthernet50 20
!
interface Port-channel14.145
encapsulation dot1Q 145
ip address 10.10.140.130 255.255.255.128
no ip redirects
no ip directed-broadcast
standby 145 priority 110
standby 145 preempt
standby 145 authentication C10-145
standby 145 ip 10.10.140.129
standby 145 track GigabitEthernet49 20
standby 145 track GigabitEthernet50 20
!
interface Port-channel15
description Channel_to_2948G-15
no ip address
no ip directed-broadcast
hold-queue 300 in
!
interface Port-channel15.1
encapsulation dot1Q 1 native
no ip redirects
no ip directed-broadcast
!
```

```
interface Port-channel15.150
 encapsulation dot1Q 150
 ip address 10.10.150.2 255.255.255.128
 no ip redirects
 no ip directed-broadcast
 standby 150 priority 100
 standby 150 preempt
 standby 150 authentication C10-150
 standby 150 ip 10.10.150.1
 standby 150 track GigabitEthernet49 20
 standby 150 track GigabitEthernet50 20
!
interface Port-channel15.155
 encapsulation dot1Q 155
 ip address 10.10.150.130 255.255.255.128
 no ip redirects
 no ip directed-broadcast
 standby 155 priority 110
 standby 155 preempt
 standby 155 authentication C10-155
 standby 155 ip 10.10.150.129
 standby 155 track GigabitEthernet49 20
 standby 155 track GigabitEthernet50 20
!
interface FastEthernet1
 no ip address
 no ip directed-broadcast
 channel-group 1
!
interface FastEthernet2
 no ip address
 no ip directed-broadcast
 channel-group 1
!
interface FastEthernet3
 no ip address
 no ip directed-broadcast
 channel-group 2
!
interface FastEthernet4
 no ip address
 no ip directed-broadcast
 channel-group 2
!
interface FastEthernet5
 no ip address
 no ip directed-broadcast
 channel-group 3
!
interface FastEthernet6
 no ip address
 no ip directed-broadcast
 channel-group 3
!
interface FastEthernet7
 no ip address
 no ip directed-broadcast
 channel-group 4
!
interface FastEthernet8
 no ip address
 no ip directed-broadcast
 channel-group 4
!
interface FastEthernet9
 no ip address
```

```
no ip directed-broadcast
channel-group 5
!
interface FastEthernet10
no ip address
no ip directed-broadcast
channel-group 5
!
interface FastEthernet11
no ip address
no ip directed-broadcast
channel-group 6
!
interface FastEthernet12
no ip address
no ip directed-broadcast
channel-group 6
!
interface FastEthernet13
no ip address
no ip directed-broadcast
channel-group 7
!
interface FastEthernet14
no ip address
no ip directed-broadcast
channel-group 7
!
interface FastEthernet15
no ip address
no ip directed-broadcast
channel-group 8
!
interface FastEthernet16
no ip address
no ip directed-broadcast
channel-group 8
!
interface FastEthernet17
no ip address
no ip directed-broadcast
channel-group 9
!
interface FastEthernet18
no ip address
no ip directed-broadcast
channel-group 9
!
interface FastEthernet19
no ip address
no ip directed-broadcast
channel-group 10
!
interface FastEthernet20
no ip address
no ip directed-broadcast
channel-group 10
!
interface FastEthernet21
no ip address
no ip directed-broadcast
channel-group 11
!
interface FastEthernet22
no ip address
no ip directed-broadcast
```

```
channel-group 11
!
interface FastEthernet23
no ip address
no ip directed-broadcast
channel-group 12
!
interface FastEthernet24
no ip address
no ip directed-broadcast
channel-group 12
!
interface FastEthernet25
no ip address
no ip directed-broadcast
channel-group 13
!
interface FastEthernet26
no ip address
no ip directed-broadcast
channel-group 13
!
interface FastEthernet27
no ip address
no ip directed-broadcast
channel-group 14
!
interface FastEthernet28
no ip address
no ip directed-broadcast
channel-group 14
!
interface FastEthernet29
no ip address
no ip directed-broadcast
channel-group 15
!
interface FastEthernet30
no ip address
no ip directed-broadcast
channel-group 15
!
interface FastEthernet31
no ip address
no ip directed-broadcast
shutdown
!
interface FastEthernet32
no ip address
no ip directed-broadcast
shutdown
!
interface FastEthernet33
no ip address
no ip directed-broadcast
shutdown
!
interface FastEthernet34
no ip address
no ip directed-broadcast
shutdown
!
interface FastEthernet35
no ip address
no ip directed-broadcast
shutdown
```

```
!  
interface FastEthernet36  
  no ip address  
  no ip directed-broadcast  
  shutdown  
!  
interface FastEthernet37  
  no ip address  
  no ip directed-broadcast  
  shutdown  
!  
interface FastEthernet38  
  no ip address  
  no ip directed-broadcast  
  shutdown  
!  
interface FastEthernet39  
  no ip address  
  no ip directed-broadcast  
  shutdown  
!  
interface FastEthernet40  
  no ip address  
  no ip directed-broadcast  
  shutdown  
!  
interface FastEthernet41  
  no ip address  
  no ip directed-broadcast  
  shutdown  
!  
interface FastEthernet42  
  no ip address  
  no ip directed-broadcast  
  shutdown  
!  
interface FastEthernet43  
  no ip address  
  no ip directed-broadcast  
  shutdown  
!  
interface FastEthernet44  
  no ip address  
  no ip directed-broadcast  
  shutdown  
!  
interface FastEthernet45  
  no ip address  
  no ip directed-broadcast  
  shutdown  
!  
interface FastEthernet46  
  no ip address  
  no ip directed-broadcast  
  shutdown  
!  
interface FastEthernet47  
  no ip address  
  no ip directed-broadcast  
  shutdown  
!  
interface FastEthernet48  
  no ip address  
  no ip directed-broadcast  
  shutdown  
!
```

```

interface GigabitEthernet49
  description CoreVLAN15
  ip address 10.10.0.19 255.255.255.240
  no ip directed-broadcast
  ip summary-address eigrp 10 10.10.0.0 255.255.0.0
!
interface GigabitEthernet50
  description CoreVLAN10
  ip address 10.10.0.3 255.255.255.240
  no ip directed-broadcast
  ip summary-address eigrp 10 10.10.0.0 255.255.0.0
  delay 15
!
router eigrp 10
  passive-interface default
  no passive-interface GigabitEthernet49
  no passive-interface GigabitEthernet50
  network 10.0.0.0
!
ip classless
!
!
line con 0
  transport input none
line aux 0
line vty 0 4
  password secret
  login
!
end

2948G-L3-01#

```

Catalyst 2948G-L3-02 Configuration

```

2948G-L3-02# show running-config
Building configuration...

```

```

Current configuration:

```

```

!
! Last configuration change at 07:45:32 PST Fri Jun 23 2000
! NVRAM config last updated at 07:45:33 PST Fri Jun 23 2000
!
version 12.0
no service pad
service timestamps debug datetime msec localtime
service timestamps log datetime msec localtime
no service password-encryption
!
hostname 2948G-L3-02
!
no logging console
enable password verysecret
!
clock timezone PST -8
clock calendar-valid
ip subnet-zero
!
!
!
interface Port-channel1
  description Channel_to_2948G-01
  no ip address
  no ip directed-broadcast
  hold-queue 300 in

```

```

!
interface Port-channel1.1
 encapsulation dot1Q 1 native
 no ip redirects
 no ip directed-broadcast
!
interface Port-channel1.10
 encapsulation dot1Q 10
 ip address 10.10.10.3 255.255.255.128
 no ip redirects
 no ip directed-broadcast
 standby 10 priority 110
 standby 10 preempt
 standby 10 authentication C10-10
 standby 10 ip 10.10.10.1
 standby 10 track GigabitEthernet49 20
 standby 10 track GigabitEthernet50 20
!
interface Port-channel1.15
 encapsulation dot1Q 15
 ip address 10.10.10.131 255.255.255.128
 no ip redirects
 no ip directed-broadcast
 standby 15 priority 100
 standby 15 preempt
 standby 15 authentication C10-15
 standby 15 ip 10.10.10.129
 standby 15 track GigabitEthernet49 20
 standby 15 track GigabitEthernet50 20
!
interface Port-channel2
 description Channel_to_2948G-02
 no ip address
 no ip directed-broadcast
 hold-queue 300 in
!
interface Port-channel2.1
 encapsulation dot1Q 1 native
 no ip redirects
 no ip directed-broadcast
!
interface Port-channel2.20
 encapsulation dot1Q 20
 ip address 10.10.20.3 255.255.255.128
 no ip redirects
 no ip directed-broadcast
 standby 20 priority 110
 standby 20 preempt
 standby 20 authentication C10-20
 standby 20 ip 10.10.20.1
 standby 20 track GigabitEthernet49 20
 standby 20 track GigabitEthernet50 20
!
interface Port-channel2.25
 encapsulation dot1Q 25
 ip address 10.10.20.131 255.255.255.128
 no ip redirects
 no ip directed-broadcast
 standby 25 priority 100
 standby 25 preempt
 standby 25 authentication C10-25
 standby 25 ip 10.10.20.129
 standby 25 track GigabitEthernet49 20
 standby 25 track GigabitEthernet50 20
!
interface Port-channel3

```

```
description Channel_to_2948G-03
no ip address
no ip directed-broadcast
hold-queue 300 in
!
interface Port-channel3.1
encapsulation dot1Q 1 native
no ip redirects
no ip directed-broadcast
!
interface Port-channel3.30
encapsulation dot1Q 30
ip address 10.10.30.3 255.255.255.128
no ip redirects
no ip directed-broadcast
standby 30 priority 110
standby 30 preempt
standby 30 authentication C10-30
standby 30 ip 10.10.30.1
standby 30 track GigabitEthernet49 20
standby 30 track GigabitEthernet50 20
!
interface Port-channel3.35
encapsulation dot1Q 35
ip address 10.10.30.131 255.255.255.128
no ip redirects
no ip directed-broadcast
standby 35 priority 100
standby 35 preempt
standby 35 authentication C10-35
standby 35 ip 10.10.30.129
standby 35 track GigabitEthernet49 20
standby 35 track GigabitEthernet50 20
!
interface Port-channel4
description Channel_to_2948G-04
no ip address
no ip directed-broadcast
hold-queue 300 in
!
interface Port-channel4.1
encapsulation dot1Q 1 native
no ip redirects
no ip directed-broadcast
!
interface Port-channel4.40
encapsulation dot1Q 40
ip address 10.10.40.3 255.255.255.128
no ip redirects
no ip directed-broadcast
standby 40 priority 110
standby 40 preempt
standby 40 authentication C10-40
standby 40 ip 10.10.40.1
standby 40 track GigabitEthernet49 20
standby 40 track GigabitEthernet50 20
!
interface Port-channel4.45
encapsulation dot1Q 45
ip address 10.10.40.131 255.255.255.128
no ip redirects
no ip directed-broadcast
standby 45 priority 100
standby 45 preempt
standby 45 authentication C10-45
standby 45 ip 10.10.40.129
```



```
standby 45 track GigabitEthernet49 20
standby 45 track GigabitEthernet50 20
!
interface Port-channel5
description Channel_to_2948G-05
no ip address
no ip directed-broadcast
hold-queue 300 in
!
interface Port-channel5.1
encapsulation dot1Q 1 native
no ip redirects
no ip directed-broadcast
!
interface Port-channel5.50
encapsulation dot1Q 50
ip address 10.10.50.3 255.255.255.128
no ip redirects
no ip directed-broadcast
standby 50 priority 110
standby 50 preempt
standby 50 authentication C10-50
standby 50 ip 10.10.50.1
standby 50 track GigabitEthernet49 20
standby 50 track GigabitEthernet50 20
!
interface Port-channel5.55
encapsulation dot1Q 55
ip address 10.10.50.131 255.255.255.128
no ip redirects
no ip directed-broadcast
standby 55 priority 100
standby 55 preempt
standby 55 authentication C10-55
standby 55 ip 10.10.50.129
standby 55 track GigabitEthernet49 20
standby 55 track GigabitEthernet50 20
!
interface Port-channel6
description Channel_to_2948G-06
no ip address
no ip directed-broadcast
hold-queue 300 in
!
interface Port-channel6.1
encapsulation dot1Q 1 native
no ip redirects
no ip directed-broadcast
!
interface Port-channel6.60
encapsulation dot1Q 60
ip address 10.10.60.3 255.255.255.128
no ip redirects
no ip directed-broadcast
standby 60 priority 110
standby 60 preempt
standby 60 authentication C10-60
standby 60 ip 10.10.60.1
standby 60 track GigabitEthernet49 20
standby 60 track GigabitEthernet50 20
!
interface Port-channel6.65
encapsulation dot1Q 65
ip address 10.10.60.131 255.255.255.128
no ip redirects
no ip directed-broadcast
```

```
standby 65 priority 100
standby 65 preempt
standby 65 authentication C10-65
standby 65 ip 10.10.60.129
standby 65 track GigabitEthernet49 20
standby 65 track GigabitEthernet50 20
!
interface Port-channel7
description Channel_to_2948G-07
no ip address
no ip directed-broadcast
hold-queue 300 in
!
interface Port-channel7.1
encapsulation dot1Q 1 native
no ip redirects
no ip directed-broadcast
!
interface Port-channel7.70
encapsulation dot1Q 70
ip address 10.10.70.3 255.255.255.128
no ip redirects
no ip directed-broadcast
standby 70 priority 110
standby 70 preempt
standby 70 authentication C10-70
standby 70 ip 10.10.70.1
standby 70 track GigabitEthernet49 20
standby 70 track GigabitEthernet50 20
!
interface Port-channel7.75
encapsulation dot1Q 75
ip address 10.10.70.131 255.255.255.128
no ip redirects
no ip directed-broadcast
standby 75 priority 100
standby 75 preempt
standby 75 authentication C10-75
standby 75 ip 10.10.70.129
standby 75 track GigabitEthernet49 20
standby 75 track GigabitEthernet50 20
!
interface Port-channel8
description Channel_to_2948G-08
no ip address
no ip directed-broadcast
hold-queue 300 in
!
interface Port-channel8.1
encapsulation dot1Q 1 native
no ip redirects
no ip directed-broadcast
!
interface Port-channel8.80
encapsulation dot1Q 80
ip address 10.10.80.3 255.255.255.128
no ip redirects
no ip directed-broadcast
standby 80 priority 110
standby 80 preempt
standby 80 authentication C10-80
standby 80 ip 10.10.80.1
standby 80 track GigabitEthernet49 20
standby 80 track GigabitEthernet50 20
!
interface Port-channel8.85
```

```
encapsulation dot1Q 85
ip address 10.10.80.131 255.255.255.128
no ip redirects
no ip directed-broadcast
standby 85 priority 100
standby 85 preempt
standby 85 authentication C10-85
standby 85 ip 10.10.80.129
standby 85 track GigabitEthernet49 20
standby 85 track GigabitEthernet50 20
!
interface Port-channel9
description Channel_to_2948G-09
no ip address
no ip directed-broadcast
hold-queue 300 in
!
interface Port-channel9.1
encapsulation dot1Q 1 native
no ip redirects
no ip directed-broadcast
!
interface Port-channel9.90
encapsulation dot1Q 90
ip address 10.10.90.3 255.255.255.128
no ip redirects
no ip directed-broadcast
standby 90 priority 110
standby 90 preempt
standby 90 authentication C10-90
standby 90 ip 10.10.90.1
standby 90 track GigabitEthernet49 20
standby 90 track GigabitEthernet50 20
!
interface Port-channel9.95
encapsulation dot1Q 95
ip address 10.10.90.131 255.255.255.128
no ip redirects
no ip directed-broadcast
standby 95 priority 100
standby 95 preempt
standby 95 authentication C10-95
standby 95 ip 10.10.90.129
standby 95 track GigabitEthernet49 20
standby 95 track GigabitEthernet50 20
!
interface Port-channel10
description Channel_to_2948G-10
no ip address
no ip directed-broadcast
hold-queue 300 in
!
interface Port-channel10.1
encapsulation dot1Q 1 native
no ip redirects
no ip directed-broadcast
!
interface Port-channel10.100
encapsulation dot1Q 100
ip address 10.10.100.3 255.255.255.128
no ip redirects
no ip directed-broadcast
standby 100 priority 110
standby 100 preempt
standby 100 authentication C10-100
standby 100 ip 10.10.100.1
```

```
standby 100 track GigabitEthernet49 20
standby 100 track GigabitEthernet50 20
!
interface Port-channel10.105
encapsulation dot1Q 105
ip address 10.10.100.131 255.255.255.128
no ip redirects
no ip directed-broadcast
standby 105 priority 100
standby 105 preempt
standby 105 authentication C10-105
standby 105 ip 10.10.100.129
standby 105 track GigabitEthernet49 20
standby 105 track GigabitEthernet50 20
!
interface Port-channel11
description Channel_to_2948G-11
no ip address
no ip directed-broadcast
hold-queue 300 in
!
interface Port-channel11.1
encapsulation dot1Q 1 native
no ip redirects
no ip directed-broadcast
!
interface Port-channel11.110
encapsulation dot1Q 110
ip address 10.10.110.3 255.255.255.128
no ip redirects
no ip directed-broadcast
standby 110 priority 110
standby 110 preempt
standby 110 authentication C10-110
standby 110 ip 10.10.110.1
standby 110 track GigabitEthernet49 20
standby 110 track GigabitEthernet50 20
!
interface Port-channel11.115
encapsulation dot1Q 115
ip address 10.10.110.131 255.255.255.128
no ip redirects
no ip directed-broadcast
standby 115 priority 100
standby 115 preempt
standby 115 authentication C10-115
standby 115 ip 10.10.110.129
standby 115 track GigabitEthernet49 20
standby 115 track GigabitEthernet50 20
!
interface Port-channel12
description Channel_to_2948G-12
no ip address
no ip directed-broadcast
hold-queue 300 in
!
interface Port-channel12.1
encapsulation dot1Q 1 native
no ip redirects
no ip directed-broadcast
!
interface Port-channel12.120
encapsulation dot1Q 120
ip address 10.10.120.3 255.255.255.128
no ip redirects
no ip directed-broadcast
```

```
standby 120 priority 110
standby 120 preempt
standby 120 authentication C10-120
standby 120 ip 10.10.120.1
standby 120 track GigabitEthernet49 20
standby 120 track GigabitEthernet50 20
!
interface Port-channel12.125
encapsulation dot1Q 125
ip address 10.10.120.131 255.255.255.128
no ip redirects
no ip directed-broadcast
standby 125 priority 100
standby 125 preempt
standby 125 authentication C10-125
standby 125 ip 10.10.120.129
standby 125 track GigabitEthernet49 20
standby 125 track GigabitEthernet50 20
!
interface Port-channel13
description Channel_to_2948G-13
no ip address
no ip directed-broadcast
hold-queue 300 in
!
interface Port-channel13.1
encapsulation dot1Q 1 native
no ip redirects
no ip directed-broadcast
!
interface Port-channel13.130
encapsulation dot1Q 130
ip address 10.10.130.3 255.255.255.128
no ip redirects
no ip directed-broadcast
standby 130 priority 110
standby 130 preempt
standby 130 authentication C10-130
standby 130 ip 10.10.130.1
standby 130 track GigabitEthernet49 20
standby 130 track GigabitEthernet50 20
!
interface Port-channel13.135
encapsulation dot1Q 135
ip address 10.10.130.131 255.255.255.128
no ip redirects
no ip directed-broadcast
standby 135 priority 100
standby 135 preempt
standby 135 authentication C10-135
standby 135 ip 10.10.130.129
standby 135 track GigabitEthernet49 20
standby 135 track GigabitEthernet50 20
!
interface Port-channel14
description Channel_to_2948G-14
no ip address
no ip directed-broadcast
hold-queue 300 in
!
interface Port-channel14.1
encapsulation dot1Q 1 native
no ip redirects
no ip directed-broadcast
!
interface Port-channel14.140
```

```
encapsulation dot1Q 140
ip address 10.10.140.3 255.255.255.128
no ip redirects
no ip directed-broadcast
standby 140 priority 110
standby 140 preempt
standby 140 authentication C10-140
standby 140 ip 10.10.140.1
standby 140 track GigabitEthernet49 20
standby 140 track GigabitEthernet50 20
!
interface Port-channel14.145
encapsulation dot1Q 145
ip address 10.10.140.131 255.255.255.128
no ip redirects
no ip directed-broadcast
standby 145 priority 100
standby 145 preempt
standby 145 authentication C10-145
standby 145 ip 10.10.140.129
standby 145 track GigabitEthernet49 20
standby 145 track GigabitEthernet50 20
!
interface Port-channel15
description Channel_to_2948G-15
no ip address
no ip directed-broadcast
hold-queue 300 in
!
interface Port-channel15.1
encapsulation dot1Q 1 native
no ip redirects
no ip directed-broadcast
!
interface Port-channel15.150
encapsulation dot1Q 150
ip address 10.10.150.3 255.255.255.128
no ip redirects
no ip directed-broadcast
standby 150 priority 110
standby 150 preempt
standby 150 authentication C10-150
standby 150 ip 10.10.150.1
standby 150 track GigabitEthernet49 20
standby 150 track GigabitEthernet50 20
!
interface Port-channel15.155
encapsulation dot1Q 155
ip address 10.10.150.131 255.255.255.128
no ip redirects
no ip directed-broadcast
standby 155 priority 100
standby 155 preempt
standby 155 authentication C10-155
standby 155 ip 10.10.150.129
standby 155 track GigabitEthernet49 20
standby 155 track GigabitEthernet50 20
!
interface FastEthernet1
no ip address
no ip directed-broadcast
channel-group 1
!
interface FastEthernet2
no ip address
no ip directed-broadcast
```

```
channel-group 1
!
interface FastEthernet3
no ip address
no ip directed-broadcast
channel-group 2
!
interface FastEthernet4
no ip address
no ip directed-broadcast
channel-group 2
!
interface FastEthernet5
no ip address
no ip directed-broadcast
channel-group 3
!
interface FastEthernet6
no ip address
no ip directed-broadcast
channel-group 3
!
interface FastEthernet7
no ip address
no ip directed-broadcast
channel-group 4
!
interface FastEthernet8
no ip address
no ip directed-broadcast
channel-group 4
!
interface FastEthernet9
no ip address
no ip directed-broadcast
channel-group 5
!
interface FastEthernet10
no ip address
no ip directed-broadcast
channel-group 5
!
interface FastEthernet11
no ip address
no ip directed-broadcast
channel-group 6
!
interface FastEthernet12
no ip address
no ip directed-broadcast
channel-group 6
!
interface FastEthernet13
no ip address
no ip directed-broadcast
channel-group 7
!
interface FastEthernet14
no ip address
no ip directed-broadcast
channel-group 7
!
interface FastEthernet15
no ip address
no ip directed-broadcast
channel-group 8
```

```
!  
interface FastEthernet16  
  no ip address  
  no ip directed-broadcast  
  channel-group 8  
!  
interface FastEthernet17  
  no ip address  
  no ip directed-broadcast  
  channel-group 9  
!  
interface FastEthernet18  
  no ip address  
  no ip directed-broadcast  
  channel-group 9  
!  
interface FastEthernet19  
  no ip address  
  no ip directed-broadcast  
  channel-group 10  
!  
interface FastEthernet20  
  no ip address  
  no ip directed-broadcast  
  channel-group 10  
!  
interface FastEthernet21  
  no ip address  
  no ip directed-broadcast  
  channel-group 11  
!  
interface FastEthernet22  
  no ip address  
  no ip directed-broadcast  
  channel-group 11  
!  
interface FastEthernet23  
  no ip address  
  no ip directed-broadcast  
  channel-group 12  
!  
interface FastEthernet24  
  no ip address  
  no ip directed-broadcast  
  channel-group 12  
!  
interface FastEthernet25  
  no ip address  
  no ip directed-broadcast  
  channel-group 13  
!  
interface FastEthernet26  
  no ip address  
  no ip directed-broadcast  
  channel-group 13  
!  
interface FastEthernet27  
  no ip address  
  no ip directed-broadcast  
  channel-group 14  
!  
interface FastEthernet28  
  no ip address  
  no ip directed-broadcast  
  channel-group 14  
!
```



```
interface FastEthernet29
  no ip address
  no ip directed-broadcast
  channel-group 15
!
interface FastEthernet30
  no ip address
  no ip directed-broadcast
  channel-group 15
!
interface FastEthernet31
  no ip address
  no ip directed-broadcast
  shutdown
!
interface FastEthernet32
  no ip address
  no ip directed-broadcast
  shutdown
!
interface FastEthernet33
  no ip address
  no ip directed-broadcast
  shutdown
!
interface FastEthernet34
  no ip address
  no ip directed-broadcast
  shutdown
!
interface FastEthernet35
  no ip address
  no ip directed-broadcast
  shutdown
!
interface FastEthernet36
  no ip address
  no ip directed-broadcast
  shutdown
!
interface FastEthernet37
  no ip address
  no ip directed-broadcast
  shutdown
!
interface FastEthernet38
  no ip address
  no ip directed-broadcast
  shutdown
!
interface FastEthernet39
  no ip address
  no ip directed-broadcast
  shutdown
!
interface FastEthernet40
  no ip address
  no ip directed-broadcast
  shutdown
!
interface FastEthernet41
  no ip address
  no ip directed-broadcast
  shutdown
!
interface FastEthernet42
```

```

no ip address
no ip directed-broadcast
shutdown
!
interface FastEthernet43
no ip address
no ip directed-broadcast
shutdown
!
interface FastEthernet44
no ip address
no ip directed-broadcast
shutdown
!
interface FastEthernet45
no ip address
no ip directed-broadcast
shutdown
!
interface FastEthernet46
no ip address
no ip directed-broadcast
shutdown
!
interface FastEthernet47
no ip address
no ip directed-broadcast
shutdown
!
interface FastEthernet48
no ip address
no ip directed-broadcast
shutdown
!
interface GigabitEthernet49
description CoreVLAN10
ip address 10.10.0.4 255.255.255.240
no ip directed-broadcast
ip summary-address eigrp 10 10.10.0.0 255.255.0.0
!
interface GigabitEthernet50
description CoreVLAN15
ip address 10.10.0.20 255.255.255.240
no ip directed-broadcast
ip summary-address eigrp 10 10.10.0.0 255.255.0.0
delay 15
!
router eigrp 10
passive-interface default
no passive-interface GigabitEthernet49
no passive-interface GigabitEthernet50
network 10.0.0.0
!
ip classless
!
!
line con 0
transport input none
line aux 0
line vty 0 4
password secret
login
!
end

```

2948G-L3-02#

Catalyst 2948G-01 Configuration

```
2948G-01> (enable) show config
This command shows non-default configurations only.
Use 'show config all' to show both default and non-default configurations.
.....

.....
..

begin
!
# ***** NON-DEFAULT CONFIGURATION *****
!
!
#time: Mon Jun 22 2000, 15:39:38
!
#version 5.4(3)
!
!
#system web interface version
!
set enablepass $2$FNl3$8MSzcpVMg1H2aWfl113aZ.
!
#system
set system name 2948G-01
set system location Closet10-01
set system contact sysadmin@corp.com
!
#frame distribution method
set port channel all distribution mac both
!
#vtp
set vtp domain Closet-10-01
set vtp mode transparent
set vlan 1 name default type ethernet mtu 1500 said 100001 state active
set vlan 10 name 10.10.10.0/25 type ethernet mtu 1500 said 100010 state active
set vlan 15 name 10.10.10.128/25 type ethernet mtu 1500 said 100015 state
active
set vlan 1002 name fddi-default type fddi mtu 1500 said 101002 state active
set vlan 1004 name fddinet-default type fddinet mtu 1500 said 101004 state
active stp ieee
set vlan 1005 name trnet-default type trbrf mtu 1500 said 101005 state active
stp ibm
set vlan 1003 name token-ring-default type trcrf mtu 1500 said 101003 state
active mode srb aremaxhop 7 stemaxhop 7 backupcrf off
!
#ip
set interface sc0 10 10.10.10.4/255.255.255.128 10.10.10.127

set interface sl0 down
set interface mel down
set ip route 0.0.0.0/0.0.0.0 10.10.10.1
!
#syslog
set logging console disable
!
#set boot command
set boot config-register 0x2102
set boot system flash bootflash:cat4000.5-4-2.bin
set boot system flash bootflash:cat4000.5-2-2.bin
set boot system flash bootflash:cat4000.4-5-2.bin
!
#port channel
set port channel 2/45-46 40
set port channel 2/47-48 41
```

```
!  
#module 1 : 0-port Switching Supervisor  
!  
#module 2 : 50-port 10/100/1000 Ethernet  
set vlan 10    2/1-22  
set vlan 15    2/23-44  
set port name  2/45 2948G-L3-01_Uplink  
set port name  2/46 2948G-L3-01_Uplink  
set port name  2/47 2948G-L3-02_Uplink  
set port name  2/48 2948G-L3-02_Uplink  
set trunk 2/1  off dot1q 1-1005  
set trunk 2/2  off dot1q 1-1005  
set trunk 2/3  off dot1q 1-1005  
set trunk 2/4  off dot1q 1-1005  
set trunk 2/5  off dot1q 1-1005  
set trunk 2/6  off dot1q 1-1005  
set trunk 2/7  off dot1q 1-1005  
set trunk 2/8  off dot1q 1-1005  
set trunk 2/9  off dot1q 1-1005  
set trunk 2/10 off dot1q 1-1005  
set trunk 2/11 off dot1q 1-1005  
set trunk 2/12 off dot1q 1-1005  
set trunk 2/13 off dot1q 1-1005  
set trunk 2/14 off dot1q 1-1005  
set trunk 2/15 off dot1q 1-1005  
set trunk 2/16 off dot1q 1-1005  
set trunk 2/17 off dot1q 1-1005  
set trunk 2/18 off dot1q 1-1005  
set trunk 2/19 off dot1q 1-1005  
set trunk 2/20 off dot1q 1-1005  
set trunk 2/21 off dot1q 1-1005  
set trunk 2/22 off dot1q 1-1005  
set trunk 2/23 off dot1q 1-1005  
set trunk 2/24 off dot1q 1-1005  
set trunk 2/25 off dot1q 1-1005  
set trunk 2/26 off dot1q 1-1005  
set trunk 2/27 off dot1q 1-1005  
set trunk 2/28 off dot1q 1-1005  
set trunk 2/29 off dot1q 1-1005  
set trunk 2/30 off dot1q 1-1005  
set trunk 2/31 off dot1q 1-1005  
set trunk 2/32 off dot1q 1-1005  
set trunk 2/33 off dot1q 1-1005  
set trunk 2/34 off dot1q 1-1005  
set trunk 2/35 off dot1q 1-1005  
set trunk 2/36 off dot1q 1-1005  
set trunk 2/37 off dot1q 1-1005  
set trunk 2/38 off dot1q 1-1005  
set trunk 2/39 off dot1q 1-1005  
set trunk 2/40 off dot1q 1-1005  
set trunk 2/41 off dot1q 1-1005  
set trunk 2/42 off dot1q 1-1005  
set trunk 2/43 off dot1q 1-1005  
set trunk 2/44 off dot1q 1-1005  
set trunk 2/45 nonegotiate dot1q 1-1005  
set trunk 2/46 nonegotiate dot1q 1-1005  
set trunk 2/47 nonegotiate dot1q 1-1005  
set trunk 2/48 nonegotiate dot1q 1-1005  
set spantree portfast    2/1-44 enable  
set port channel 2/45-48 mode on  
set port channel 2/1-44 mode off  
end  
2948G-01> (enable)
```

Catalyst 2948G-15 Configuration

```
2948G-15> (enable) show config
This command shows non-default configurations only.
Use 'show config all' to show both default and non-default configurations.
.....

.....
..

begin
!
# ***** NON-DEFAULT CONFIGURATION *****
!
!
#time: Mon Jun 22 2000, 15:41:38
!
#version 5.4(3)
!
!
#system web interface version
!
set enablepass $2$FNl3$8MSzcpVMg1H2aWfl113aZ.
!
#system
set system name 2948G-15
set system location Closet10-15
set system contact sysadmin@corp.com
!
#frame distribution method
set port channel all distribution mac both
!
#vtp
set vtp domain Closet-10-15
set vtp mode transparent
set vlan 1 name default type ethernet mtu 1500 said 100001 state active
set vlan 150 name 10.10.150.0/25 type ethernet mtu 1500 said 100010 state active
set vlan 155 name 10.10.150.128/25 type ethernet mtu 1500 said 100015 state
active
set vlan 1002 name fddi-default type fddi mtu 1500 said 101002 state active
set vlan 1004 name fddinet-default type fddinet mtu 1500 said 101004 state
active stp ieee
set vlan 1005 name trnet-default type trbrf mtu 1500 said 101005 state active
stp ibm
set vlan 1003 name token-ring-default type trcrf mtu 1500 said 101003 state
active mode srb aremaxhop 7 stemaxhop 7 backupcrf off
!
#ip
set interface sc0 10 10.10.150.4/255.255.255.128 10.10.10.127

set interface sl0 down
set interface mel down
set ip route 0.0.0.0/0.0.0.0 10.10.150.1
!
#syslog
set logging console disable
!
#set boot command
set boot config-register 0x2102
set boot system flash bootflash:cat4000.5-4-2.bin
set boot system flash bootflash:cat4000.5-2-2.bin
set boot system flash bootflash:cat4000.4-5-2.bin
!
#port channel
set port channel 2/45-46 40
set port channel 2/47-48 41
```

```
!  
#module 1 : 0-port Switching Supervisor  
!  
#module 2 : 50-port 10/100/1000 Ethernet  
set vlan 150    2/1-22  
set vlan 155    2/23-44  
set port name   2/45 2948G-L3-01_Uplink  
set port name   2/46 2948G-L3-01_Uplink  
set port name   2/47 2948G-L3-02_Uplink  
set port name   2/48 2948G-L3-02_Uplink  
set trunk 2/1  off dot1q 1-1005  
set trunk 2/2  off dot1q 1-1005  
set trunk 2/3  off dot1q 1-1005  
set trunk 2/4  off dot1q 1-1005  
set trunk 2/5  off dot1q 1-1005  
set trunk 2/6  off dot1q 1-1005  
set trunk 2/7  off dot1q 1-1005  
set trunk 2/8  off dot1q 1-1005  
set trunk 2/9  off dot1q 1-1005  
set trunk 2/10 off dot1q 1-1005  
set trunk 2/11 off dot1q 1-1005  
set trunk 2/12 off dot1q 1-1005  
set trunk 2/13 off dot1q 1-1005  
set trunk 2/14 off dot1q 1-1005  
set trunk 2/15 off dot1q 1-1005  
set trunk 2/16 off dot1q 1-1005  
set trunk 2/17 off dot1q 1-1005  
set trunk 2/18 off dot1q 1-1005  
set trunk 2/19 off dot1q 1-1005  
set trunk 2/20 off dot1q 1-1005  
set trunk 2/21 off dot1q 1-1005  
set trunk 2/22 off dot1q 1-1005  
set trunk 2/23 off dot1q 1-1005  
set trunk 2/24 off dot1q 1-1005  
set trunk 2/25 off dot1q 1-1005  
set trunk 2/26 off dot1q 1-1005  
set trunk 2/27 off dot1q 1-1005  
set trunk 2/28 off dot1q 1-1005  
set trunk 2/29 off dot1q 1-1005  
set trunk 2/30 off dot1q 1-1005  
set trunk 2/31 off dot1q 1-1005  
set trunk 2/32 off dot1q 1-1005  
set trunk 2/33 off dot1q 1-1005  
set trunk 2/34 off dot1q 1-1005  
set trunk 2/35 off dot1q 1-1005  
set trunk 2/36 off dot1q 1-1005  
set trunk 2/37 off dot1q 1-1005  
set trunk 2/38 off dot1q 1-1005  
set trunk 2/39 off dot1q 1-1005  
set trunk 2/40 off dot1q 1-1005  
set trunk 2/41 off dot1q 1-1005  
set trunk 2/42 off dot1q 1-1005  
set trunk 2/43 off dot1q 1-1005  
set trunk 2/44 off dot1q 1-1005  
set trunk 2/45 nonegotiate dot1q 1-1005  
set trunk 2/46 nonegotiate dot1q 1-1005  
set trunk 2/47 nonegotiate dot1q 1-1005  
set trunk 2/48 nonegotiate dot1q 1-1005  
set spantree portfast    2/1-44 enable  
set port channel 2/45-48 mode on  
set port channel 2/1-44 mode off  
end  
2948G-15> (enable)
```

Catalyst 6506-01 Configuration

```
6506-01> (enable) show config
This command shows non-default configurations only.
Use 'show config all' to show both default and non-default configurations.
.....
.....
..

begin
!
# ***** NON-DEFAULT CONFIGURATION *****
!
!
#time: Fri Jun 23 2000, 13:05:49
!
#version 5.4(3)
!
!
#system web interface version Engine: 5.1 ADP device: Cat6000 ADP Version: 1.2
ADK: 31
!
set password $2$JYD3$CchOBhHYnLzI900B9F10v/
set enablepass $2$93UN$/2fd2eCw1RdUSkklJ/KZ21
!
#system
set system name 6506-01
set system location Core-MDF-10
set system contact sysadmin@corp.com
!
#!
#vtp
set vtp domain Core-Domain
set vlan 1 name default type ethernet mtu 1500 said 100001 state active
set vlan 10 name Aggregation-10.10.0.0/16-Even type ethernet mtu 1500 said
100010 state active
set vlan 15 name Aggregation-10.10.0.0/16-Odd type ethernet mtu 1500 said
100015 state active
set vlan 1002 name fddi-default type fddi mtu 1500 said 101002 state active
set vlan 1004 name fddinet-default type fddinet mtu 1500 said 101004 state
active stp ieee
set vlan 1005 name trnet-default type trbrf mtu 1500 said 101005 state active
stp ibm
set vlan 1003 name token-ring-default type trcrf mtu 1500 said 101003 state
active mode srb aremaxhop 7 stemaxhop 7 backupcrf off
!
#ip
set interface sc0 1 10.1.1.4/255.255.255.0 10.1.1.255

set ip route 0.0.0.0/0.0.0.0 10.1.1.1
!
#syslog
set logging console disable
!
#set boot command
set boot config-register 0x2102
set boot system flash bootflash:cat6000-supcv.5-4-3.bin
!
#port channel
set port channel 2/7-8,3/7-8 428
!
# default port status is enable
!
!
#module 1 : 2-port 1000BaseX Supervisor
!
```

```

#module 2 : 8-port 1000BaseX Ethernet
set port name      2/7  Cat6506-02
set port name      2/8  Cat6506-02
set trunk 2/7  desirable isl 1-1005
set trunk 2/8  desirable isl 1-1005
set port channel 2/7-8 mode on
!
#module 3 : 8-port 1000BaseX Ethernet
set port name      3/7  Cat6506-02
set port name      3/8  Cat6506-02
set trunk 3/7  desirable isl 1-1005
set trunk 3/8  desirable isl 1-1005
set port channel 3/7-8 mode on
!
#module 4 : 8-port 1000BaseX Ethernet
set vlan 15  4/1
!
#module 5 : 8-port 1000BaseX Ethernet
set vlan 15  5/1
!
#module 6 : 48-port 10/100BaseTX Ethernet
!
#module 15 : 1-port Multilayer Switch Feature Card
!
#module 16 empty
end
6506-01> (enable)

```

Catalyst 6506-02 Configuration

```

6506-02> (enable) show config
This command shows non-default configurations only.
Use 'show config all' to show both default and non-default configurations.
.....
.....
..

begin
!
# ***** NON-DEFAULT CONFIGURATION *****
!
!
#time: Fri Jun 23 2000, 13:07:49
!
#version 5.4(3)
!
!
#system web interface version Engine: 5.1 ADP device: Cat6000 ADP Version: 1.2
ADK: 31
!
set password $2$JYD3$CchOBhHYnLzI9O0B9F10v/
set enablepass $2$93UN$/2fd2eCwlrDUSkklJ/KZ21
!
#system
set system name 6506-02
set system location Core-MDF-10
set system contact sysadmin@corp.com
!
#!
#vtp
set vtp domain Core-Domain
set vlan 1 name default type ethernet mtu 1500 said 100001 state active
set vlan 10 name Aggregation-10.10.0.0/16-Even type ethernet mtu 1500 said
100010 state active
set vlan 15 name Aggregation-10.10.0.0/16-Odd type ethernet mtu 1500 said

```



```

100015 state active
set vlan 1002 name fddi-default type fddi mtu 1500 said 101002 state active
set vlan 1004 name fddinet-default type fddinet mtu 1500 said 101004 state
active stp ieee
set vlan 1005 name trnet-default type trbrf mtu 1500 said 101005 state active
stp ibm
set vlan 1003 name token-ring-default type trcrf mtu 1500 said 101003 state
active mode srb aremaxhop 7 stemaxhop 7 backupcrf off
!
#ip
set interface sc0 1 10.1.1.5/255.255.255.0 10.1.1.255

set ip route 0.0.0.0/0.0.0.0          10.1.1.1
!
#syslog
set logging console disable
!
#set boot command
set boot config-register 0x2102
set boot system flash bootflash:cat6000-supcv.5-4-3.bin
!
#port channel
set port channel 2/7-8,3/7-8 448
!
# default port status is enable
!
!
#module 1 : 2-port 1000BaseX Supervisor
!
#module 2 : 8-port 1000BaseX Ethernet
set port name      2/7  Cat6506-01
set port name      2/8  Cat6506-01
set trunk 2/7  desirable isl 1-1005
set trunk 2/8  desirable isl 1-1005
set port channel 2/7-8 mode on
!
#module 3 : 8-port 1000BaseX Ethernet
set port name      3/7  Cat6506-01
set port name      3/8  Cat6506-01
set trunk 3/7  desirable isl 1-1005
set trunk 3/8  desirable isl 1-1005
set port channel 3/7-8 mode on
!
#module 4 : 8-port 1000BaseX Ethernet
set vlan 10    4/1
!
#module 5 : 8-port 1000BaseX Ethernet
set vlan 10    5/1
!
#module 6 : 48-port 10/100BaseTX Ethernet
!
#module 15 : 1-port Multilayer Switch Feature Card
!
#module 16 empty
end
6506-02> (enable)

```

Related Information

- [LAN Product Support Pages](#)
 - [LAN Switching Support Page](#)
 - [Technical Support – Cisco Systems](#)
-

[Contacts & Feedback](#) | [Help](#) | [Site Map](#)

© 2014 – 2015 Cisco Systems, Inc. All rights reserved. [Terms & Conditions](#) | [Privacy Statement](#) | [Cookie Policy](#) | [Trademarks of Cisco Systems, Inc.](#)

Updated: Nov 16, 2007

Document ID: 12021
