

DHCP Pass-through on the RV220W

Objective

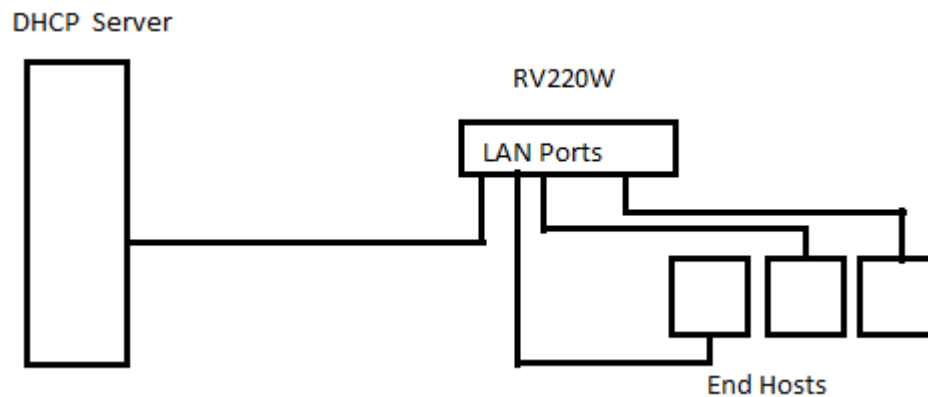
The objective of this document is to discuss specific scenario of a DHCP server > RV220W > End hosts topology. Here in this scenario the RV220W is used as an Access Point.

Applicable Devices

- RV220W

Setting up the RV220W for the scenario

The diagrammatic representation of the scenario is as follows.



Step 1. Connect the WAN of DHCP Server to LAN 1 or any other LAN Ports on the RV220W.

Step 2. Disable any DHCP Settings currently set on the RV220W.

Step 3. On the LAN Port on RV220W, assign a Static IP address according to the subnet of the DHCP Server WAN.

By this configuration the DHCP Server messages would reach the end hosts and the end hosts would get connected to the RV220W. So in this manner the RV220W could be used as an Access Point.