

# Cisco Video Surveillance 2800 Series Standard Definition PTZ IP Camera

## Product Overview

Cisco® Video Surveillance 2800 Series Standard Definition PTZ IP Cameras are feature-rich cameras designed for superior performance, image quality, and ease of deployment. These cameras use a 1/4" SONY EX12E EXmor™ CCD Sensor that allows up to a 12x optical zoom while viewing and recording at D1 resolutions.

The cameras are equipped with an integrated camera optics assembly which offers 360° continuous pan rotation, a 220° tilt range, and 16 PTZ presets. In addition, the cameras support an SD/SDHC slot for local storage that can be used to store video if network connectivity is lost.

Cisco Video Surveillance 2800 Series IP Cameras support two simultaneous video streams. The streams can be compressed in MJPEG and H.264 formats across several resolution configurations, and can be configured in a variety of frame rates and bit rates for additional bandwidth administration. The cameras feature a 1/4 inch SONY EXmor CCD Sensor for increased sensitivity and low light capability that allow the cameras to compensate in scenes where minimal light is present. In addition, the cameras feature built-in motion detection and wide dynamic range (WDR) that enables the system to compensate in scenes where dramatic contrasts in lighting are present.

For unparalleled simplicity of setup and monitoring, the cameras support the Cisco Medianet interface. When connected to a Cisco switch that also supports Medianet, the switch recognizes the camera as a video endpoint and then uses SmartPort macros to set the right network parameters for the video stream on the network. In addition, the camera can be automatically discovered and configured when connected to Cisco Video Surveillance Manager 7.0, thereby minimizing installation time and cost.

Cisco Video Surveillance 2800 Series Standard Definition PTZ IP Cameras offer a variety of benefits, including:

**Full Range of Motion:** The camera supports a continuous 360° pan rotation, 220° tilt angle range, and 12x optical zoom. The camera operator can remotely control the camera to track subjects or reposition the camera's field of view.

**Camera Presets:** Operators can program up to 16 preset locations that the camera can automatically cycle through while recording.

**Wide Dynamic Range:** The camera employs powerful digital imaging technology, allowing it to capture high-quality images in a wide variety of lighting conditions. It uses a progressive scan image sensor with global electronic shuttering to ensure natural color rendition, zero blooming and smear and minimal motion blurring.

**Outdoor Ready:** The housing for the camera is IP66 rated, allowing for outdoor mounting without an additional enclosure.

**Day/night operation:** The camera provides true day/night functionality and includes an IR filter that automatically switches to night mode in low-light scenes. This function can be set to manual, automatic, or scheduled control.

**Open API:** Support for ONVIF 2.0 allows for standards based interoperability and communications with other ONVIF appliances.

**Flexible power options:** The camera supports Power over Ethernet (PoE+) 802.3at, High PoE, or 24 VAC power through an external power supply.

**Simple Web Interface:** The Cisco Video Surveillance 2800 Series supports Internet Explorer 8.0 for remote setup and administration.

**Privacy Masking:** Privacy masking is used to conceal user-defined privacy areas that cannot be viewed by an operator. The Cisco Video Surveillance 2800 Series supports up to four privacy masked regions. A masked area will appear on the screen as a solid, or user defined colored window.

## Product Specifications

Table 1 lists the product specifications for the Cisco Video Surveillance 2800 Series.

**Table 1.** Product Specifications

General	
<b>Available Languages</b>	English
<b>Supported Protocols</b>	TCP/IP, UDP/IP (Unicast, Multicast IGMP), UPnP, DNS, DHCP, RTP, RTSP, NTP, IPv4, SNMP, QoS, HTTP, HTTPS, LDAP (client), SSH, SSL, SMTP, FTP, mDNS (Bonjour)
<b>Security Access</b>	Password-protected
<b>Certifications/Ratings/Patents</b>	CE, Class A FCC, Class A UL/cUL Listed C-Tick
<b>Signal Format</b>	NTSC (CIVS-IPC-2830) PAL (CIVS-IPC-2835)
<b>Scanning System</b>	Progressive
<b>Image Sensor</b>	1/4-inch CCD
<b>Lens</b>	3.7 to 44 mm
<b>Zoom</b>	12x optical 12x digital
<b>PTZ Speed</b>	Pan speed: 0.05° to 450°/sec Tilt speed: 0.05° to 450°/sec
<b>Horizontal Angle of View</b>	56.3° (W) to 4.6° (T)
<b>Minimum Illumination</b>	Color: 0.9 lux @1/60 sec (NTSC), 1/50 sec (PAL) (F1.4, 50IRE) 0.05 lux @1/4 sec (NTSC), 1/3 sec (PAL) B/W: 0.01 lux @ 1/4 sec (NTSC), 1/3 sec (PAL)
<b>White Balance</b>	Automatic with manual override
<b>Shutter Speed</b>	1/4 sec to 1/10000 sec (20 steps) NTSC 1/3 sec to 1/10000 sec (20 steps) PAL Electronic
<b>Iris Control</b>	Automatic, with manual override
<b>Gain Control</b>	Automatic/OFF
<b>Wide Dynamic Range</b>	TBD
<b>Motion Detection</b>	Integrated

Electrical	
<b>Ports</b>	RJ-45 connector for 100BASE-TX
<b>Cabling Type</b>	Cat5 or better for 100BASE-TX
<b>Input Power</b>	AC: 28W (-40 to 55°C) PoE+: 18W (-5 to 55°C) High PoE: 28W (-40 to 55°C)
<b>Alarm Inputs</b>	4
<b>Auxiliary Outputs</b>	2
<b>Pan Movement</b>	360° continuous pan rotation
<b>Vertical Tilt</b>	220° (+20° above horizon)
Audio	
<b>Streaming</b>	Bidirectional; full- or half-duplex
<b>Input/Output</b>	Terminal connector
<b>Compression</b>	G.711 A-Law, G.711 U-Law
Video	
<b>Video Encoding</b>	H.264 and MJPEG
<b>Video Streaming</b>	<ul style="list-style-type: none"> <li>• Single-stream H.264 or MJPEG up to 720 x 480 @ 30 fps (720 x 576 @ 25 fps)</li> <li>• Dual-stream H.264 and MJPEG <ul style="list-style-type: none"> <li>◦ Primary stream programmable up to 720 x 480 @ 30 fps (720 x 576 @ 25 fps)</li> <li>◦ Secondary stream programmable up to 720 x 480 @ 15 fps (720 x 576 @ 15 fps)</li> </ul> </li> </ul>
<b>Resolution and Frame Rate (H.264)</b>	Refer to Table 2
<b>Resolution and Frame Rate (MJPEG)</b>	Refer to Table 2
<b>Weight</b>	3.3 Kg
<b>Operating Temperature</b>	AC 24V: -40 to 55°C PoE+: -5 to 55°C High PoE: -40 to 55°C
<b>Outdoor Rating</b>	IP66 when installed properly

Table 2 lists the video stream support for the Cisco Video Surveillance 2800 Series for 4:3 aspect ratios.

**Table 2.** Video Stream Support for 4:3 Aspect Ratios

Primary (H.264)	Maximum fps	Secondary (H.264 or MJPEG)	Maximum fps
720 x 480/576	30/25	720 x 480/576 352 x 240/288	15
704 x 480/576	30/25	704 x 480/576 352 x 240/288	15
352 x 240/288	30/25	352 x 240/288	15

## Software

Table 3 describes the primary features of Cisco Video Surveillance 2800 Series IP Camera software.

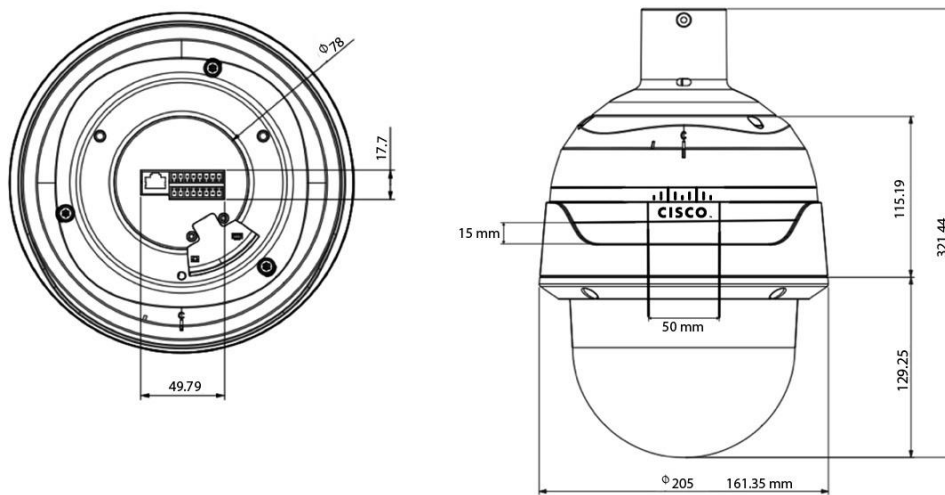
**Table 3.** Primary Software Features

Item	Specification
<b>Activity Detection</b>	User-definable alerts with configurable sensitivities and thresholds, email alert, and HTTP notifications
<b>Video Format</b>	NTSC and PAL
<b>Image Settings</b>	White balance, automatic exposure, noise reduction, wide dynamic range, exposure compensation

Item	Specification
<b>Overlay Capabilities</b>	Time, date, and text
<b>Selectable Bit Rate</b>	Support for constant bit rate or variable bit rate
<b>IP Filtering</b>	Ability for users to enter a list of allowed or blocked IP addresses for viewing video and configuring camera settings
<b>Discovery</b>	Cisco Discovery Protocol and Bonjour Zero-Configuration discovery
<b>Configuration</b>	<ul style="list-style-type: none"> <li>• Browser-based using Internet Explorer 8.0 or later</li> <li>• Two levels of user access with password protection</li> </ul>

Figure 1 shows the dimensions of Cisco Video Surveillance 2800 Series IP Cameras. All dimensions are in millimeters.

**Figure 1.** Cisco Video Surveillance 2800 Series IP Camera Dimensions



## Warranty Information

Find warranty information on Cisco.com at the [Product Warranties](#) page.

## Ordering Information

### Availability

Cisco Video Surveillance IP Cameras are available through Cisco Advanced Technology Provider (ATP) program partners. Table 4 lists part numbers for the Cisco Video Surveillance 2800 Series.

**Table 4.** Ordering Information

Product Name	Part Number
Cisco Video Surveillance SD Outdoor IP PTZ Camera, NTSC	CIVS-IPC-2830
Cisco Video Surveillance SD Outdoor IP PTZ Camera, PAL	CIVS-IPC-2835
20cm Extension Pipe with Adapter	CIVS-PA-EXT=
PTZ to 6KA Accessory Adapter	CIVS-PA-PTZADPTR=

---

## Cisco Services

Cisco offers a wide range of services programs to accelerate customer success. These innovative programs are delivered through a unique combination of people, processes, tools, and partners, resulting in high levels of customer satisfaction. Cisco services help you to protect your network investment, optimize network operations, and prepare your network for new applications to extend network intelligence and the power of your business. For more information about Cisco Services, see Cisco Technical Support Services or Cisco Advanced Services.

## For More Information

For more information about Cisco Video Surveillance IP Cameras, visit <http://www.cisco.com/go/physec> or contact your local account representative.



---

**Americas Headquarters**  
Cisco Systems, Inc.  
San Jose, CA

**Asia Pacific Headquarters**  
Cisco Systems (USA) Pte. Ltd.  
Singapore

**Europe Headquarters**  
Cisco Systems International BV Amsterdam,  
The Netherlands

Cisco has more than 200 offices worldwide. Addresses, phone numbers, and fax numbers are listed on the Cisco Website at [www.cisco.com/go/offices](http://www.cisco.com/go/offices).

Cisco and the Cisco logo are trademarks or registered trademarks of Cisco and/or its affiliates in the U.S. and other countries. To view a list of Cisco trademarks, go to this URL: [www.cisco.com/go/trademarks](http://www.cisco.com/go/trademarks). Third party trademarks mentioned are the property of their respective owners. The use of the word partner does not imply a partnership relationship between Cisco and any other company. (1110R)