

Cisco Video Surveillance 5010/5011 Indoor Fixed Dome IP HD Cameras

Product Overview

Cisco® Video Surveillance 5010 and 5011 Indoor Fixed Dome IP HD Cameras are 2.1-megapixel indoor fixed dome cameras designed with industry-leading image quality and high processing power. Designed to install quickly and easily, all of the post-back-box installation and setup can be done with one hand.

The 5010 and 5011 cameras deliver high-definition (HD) resolution, advanced low-light capabilities, consistent color science, and fast processing power. The H.264 compression video files are up to 20 times smaller, making HD video more affordable. With their open, standards-based design, the cameras provide an ideal platform for integration and operation as independent devices or as part of a Cisco Video Surveillance network.

Figure 1.



Fixed Dome Camera

The cameras include a 2.8–8-mm varifocal megapixel lens and a ready-to-install indoor enclosure. All models also include advanced low-light technology and a mechanical IR cut filter for increased sensitivity in low-light installations. Additional lenses are available, and the cameras accept a wide range of varifocal megapixel CS-mount lenses.

The 5010 and 5011 cameras support two simultaneous video streams that can be compressed in MJPEG and H.264 formats across several resolution configurations. The cameras deliver real-time video (30 images per second [fps]) with full HD resolution using H.264 compression for optimized bandwidth and storage efficiency. The streams can be configured in a variety of frame rates, bit rates, and group of pictures (GOP) structures for additional bandwidth administration.

The cameras are simple to install. The automatic back focus control feature makes sharp scene focus setup easy. A convenient video setup jack eliminates the need to use a laptop for viewing video when installing the camera.

Web Interface

The cameras support the Internet Explorer 8.0 Web browser for powerful remote setup and administration. Up to 16 cameras can be viewed on the same network.

Window Blanking

Window blanking is used to conceal user-defined privacy areas that cannot be viewed by an operator. Each camera supports up to four blanked windows. A blanked area will appear on the screen as a solid gray window.

Video Management

The 5010 and 5011 cameras connect to Cisco Video Surveillance Manager Version 6.3 and later.

Product Specifications

Features and Benefits

Features include the following:

- Up to 2.1-megapixel resolution (1920 x 1080)
- Up to 30 ips at full HD 1080p
- Optional CS-mount lenses
- Auto back focus for high precision
- Easy, quick, one-handed installation
- H.264 and MJPEG compression
- Day/night capability
- Sensitivity down to 0.03 lux
- Power over Ethernet (IEEE 802.3af Class 3) or 24 VAC
- Video setup jack and focus button accessible with dome closed
- Up to two simultaneous video streams
- Motion detection

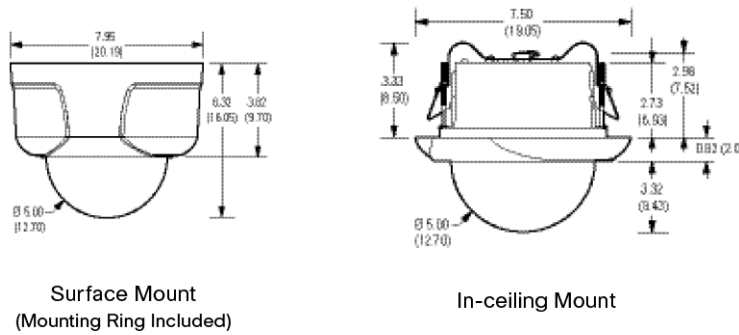
Table 1 lists product specifications for the Cisco Video Surveillance 5010 and 5011 IP Cameras.

Table 1. Product Specifications

General	
Imaging Device	1/3-inch (effective)
Imager Type	CMOS
Imager Readout	Progressive scan
Maximum Resolution	1920 x 1080
Signal-to-Noise Ratio	50 dB
Auto Iris Lens Type	DC drive
Electronic Shutter Range	1~1/100,000 sec
Wide Dynamic Range	60 dB
White Balance Range	2,000 to 10,000K
Sensitivity	f/1.2; 2850K; SNR >24 dB <ul style="list-style-type: none"> • Color (1x/33 ms): 0.5 lux • Color SENS (15x/500 ms): 0.12 lux • Mono (1x/33 ms): 0.25 lux • Mono SENS (15x/500 ms): 0.03 lux
Dome Attenuation	Clear: Zero light loss Smoked: f/1.0 light loss

Construction	Back box: Cast aluminum Trim ring: Polycarbonate plastic Bubble: Acrylic plastic
Finish	White
Available Languages	English
Supported Protocols	TCP/IP, UDP/IP (Unicast), UPnP, DNS, DHCP, RTP, RTSP, NTP, IPv4, SNMP, QoS, HTTP, SMTP, FTP
Users	Up to 20 simultaneous users, depending on resolution settings (2 guaranteed streams)
Security Access	Password-protected
Certifications/Ratings/Patents	CE, Class B FCC, Class B UL/cUL listed C-Tick
Electrical	
Port	RJ-45 connector for 100BASE-TX Auto MDI/MDI-X
Cable Type	Cat-5 or better for 100BASE-TX
Power Input	24 VAC or PoE (IEEE 802.3af class 3)
Power Consumption	< 6W
Current Consumption	PoE: < 200 mA maximum 24 VAC: < 295 mA nominal; < 390 mA maximum
Local Storage	Micro SD
Alarm Input	10 VDC maximum, 5 mA maximum
Alarm Output	0 to 15 VDC maximum, 75 mA maximum
Service Port	External 3-connector, 2.5-mm provides NTSC/PAL video output
Accessory Port	Connects accessories
Mechanical	
Lens Mount	CS-mount, adjustable
Pan/ Tilt Adjustment	Pan: 368° Tilt: 160 (10 to 170) Rotate: 355
Environmental	
Operational Temperature	32 to 122°F (0 to 50°C)
Operational Humidity	20% to 80%, noncondensing
Physical	
Dimensions (DxWxH)	5.4 x 3.1 x 3.0 in. (13.7 x 7.9 x 7.6 cm)
Weight (without lens)	Unit: 2.0 lb (0.9 kg) Shipping: 6.0 lb (2.7 kg)
Video	
Video Encoding	H.264 base profile and MJPEG
Video Streams	Up to 2 simultaneous streams; the second stream is variable based on the setup of the primary stream
Supported Frame Rates	30, 15, 10, 5, 1
Video Encoding	H.264 base profile and MJPEG
Video Streams	Up to 2 simultaneous streams; the second stream is variable based on the setup of the primary stream
Supported Resolutions	1080P (1920 x 1080), 720P (1280 x 720), 4CIF (640 x 352), CIF (480 x 272), and QCIF (320 x 176)

Figure 2. Mounting Options



System Requirements

Table 2 lists system requirements for the Cisco Video Surveillance 5010 and 5011 IP Cameras.

Table 2. System Requirements

Processor	Intel Core 2 Duo microprocessor, 2.6 GHz	
Operating System	Microsoft Windows XP	
Memory	2 GB RAM	
Network Interface Card	100 megabits (or greater)	
Monitor	Minimum of 1024 x 768 resolution, 16- or 32-bit pixel color resolution	
Web Browser	Internet Explorer 8.0	
Media Player*	QuickTime 7.6.5 for Windows XP	

* This product is not compatible with QuickTime Version 7.6.4 for Windows XP. If you have Version 7.6.5 installed on your PC, you will need to upgrade to Version 7.6.5.

Certifications/Ratings/Patents

- CE, Class B
- FCC, Class B
- UL /cUL listed
- C-Tick
- Patents pending

Optional Lenses

CIVS-IPC-VFM28-12: Megapixel Lens, varifocal, 2.8–12 mm

CIVS-IPC-VFM15-50: Megapixel Lens, varifocal, 15–50 mm

Cisco lenses have been designed and tested to deliver optimal image quality for Cisco Video Surveillance megapixel cameras. The use of standard-definition lenses will limit the resolution of the camera, creating poor image quality.

Table 3 shows the field of view that can be obtained with different lens and aspect ratio combinations

Table 3. Field of View in Degrees

Field of View in Degrees		Aspect Ratio		
		16:9	4:3	5:4
2.2 mm	Horizontal	109	109	109
	Vertical	63	83	89
2.8 mm	Horizontal	89	89	89
	Vertical	48	66	70
6.0 mm	Horizontal	42	42	42
	Vertical	24	32	34
8.0 mm	Horizontal	32	32	32
	Vertical	18	24	25
12.0 mm	Horizontal	21	21	21
	Vertical	12	16	17
15.0 mm	Horizontal	16	16	16
	Vertical	9	12	13
50.0 mm	Horizontal	5	5	5
	Vertical	3	4	4

Note: For 800 x 600 (or lower) resolutions in 4:3 or 5:4 aspect ratios, the field of view is smaller than listed above. Refer to the [Installation/Operation Manual](#) for details.

Warranty Information

Find warranty information on Cisco.com at the [Product Warranties](#) page.

Ordering Information

Availability

Cisco Video Surveillance IP Cameras are available through Cisco Advanced Technology Provider (ATP) Partners. Table 4 lists ordering information.

Table 4. Ordering Information

Product Name	Part Number
Cisco Video Surveillance 5010 IP Camera, Indoor HD Dome, Clear Bubble	CIVS-IPC-5010
Cisco Video Surveillance 5011 IP Camera, Indoor HD Dome, Smoked Bubble	CIVS-IPC-5011
Megapixel Lens, varifocal, 2.8–12 mm	CIVS-IPC-VFM28-12
Megapixel Lens, varifocal, 15–50 mm	CIVS-IPC-VFM15-50

Cisco Services

Cisco offers a wide range of services programs to accelerate customer success. These innovative programs are delivered through a unique combination of people, processes, tools, and partners, resulting in high levels of customer satisfaction. Cisco services help you to protect your network investment, optimize network operations, and prepare your network for new applications to extend network intelligence and the power of your business. For more information about Cisco services, see Cisco Technical Support Services or Cisco Advanced Services.

For More Information

For more information about the Cisco Video Surveillance IP Camera, visit <http://www.cisco.com/go/physec> or contact your local account representative.



Americas Headquarters
Cisco Systems, Inc.
San Jose, CA

Asia Pacific Headquarters
Cisco Systems (USA) Pte. Ltd.
Singapore

Europe Headquarters
Cisco Systems International BV
Amsterdam, The Netherlands

Cisco has more than 200 offices worldwide. Addresses, phone numbers, and fax numbers are listed on the Cisco Website at www.cisco.com/go/offices.

Cisco and the Cisco Logo are trademarks of Cisco Systems, Inc. and/or its affiliates in the U.S. and other countries. A listing of Cisco trademarks can be found at www.cisco.com/go/trademarks. Third party trademarks mentioned are the property of their respective owners. The use of the word partner does not imply a partnership relationship between Cisco and any other company. (10020)