

Cisco Video Surveillance 2520 Series Standard-Definition IP Dome

The Cisco® Video Surveillance 2520 Series IP Dome is a feature-rich digital camera designed for superior performance in a wide variety of video surveillance applications. The camera employs MPEG-4 and MJPEG compression of up to 30 frames per second (fps) at D1 NTSC resolution (720 x 480) or 25 fps at D1 PAL resolution (720 x 576), offering efficient network utilization while providing high-quality video. Two-way audio and contact closures allow integration with microphones, speakers, and access control systems. This vandal-resistant dome is designed to be deployed indoors. With its open, standards-based design, the camera provides an ideal platform for integration and operation as an independent device or as part of a Cisco Video Surveillance network.

Figure 1 shows Cisco Video Surveillance 2520 Series IP Dome.

Figure 1. Cisco Video Surveillance 2520 Series IP Dome



The Cisco Video Surveillance 2520 Series IP Dome offers a variety of benefits, including:

- **Wide dynamic range.** The camera employs powerful digital imaging technology, allowing it to capture high-quality images in a wide variety of lighting conditions. It uses a progressive scan image sensor with global electronic shuttering to ensure natural color rendition, zero blooming and smear, and minimal motion blurring.
- **Dual streaming.** The camera can stream MPEG-4 and MJPEG video simultaneously. Each video stream can be configured with individual resolution, quality, and frame rate settings.
- **Flexible power options.** The camera supports Power over Ethernet (PoE) 802.3af, and 12 VDC or 24 VAC power through an optional external power supply.
- **Mounting options.** The camera was designed for indoor mounting onto various surfaces. Mounting options include using the conduit case or a standard electrical junction box. The camera is equipped with a varifocal lens mounted to a manual pan and tilt mechanism that allows the camera to be rotated and placed at the proper angle.
- **Day/night operation.** The camera provides true day/night operation and includes an IR filter that automatically switches to night mode in low-light scenes. This function can be set to manual or automatic control.

- **Cisco Media Application Programming Interface.** The camera supports the Cisco Media API, which is an open, standards-based interface that allows integration with compatible video surveillance management systems.
- **Embedded security and networking.*** The camera provides 802.1X authentication and hardware-based Advanced Encryption Standard (AES). For enhanced bandwidth management, the camera supports IP Multicast.
- **Event notification.*** The camera can examine designated areas in the video for motion activity and then notify users or other applications when it detects activity that exceeds a predefined threshold. The camera also provides two digital inputs and two digital outputs that can initiate specific actions when an alarm is detected.
- **Bidirectional audio.*** The camera supports full-duplex audio, and options for half-duplex operation.

Note: Features with an asterisk are not available when the camera is used with Cisco Video Surveillance Manager.

Features

Table 1 describes the features of the Cisco Video Surveillance 2520 Series IP Dome.

Table 1. Cisco Video Surveillance 2520 Series IP Dome Features

Item	Specification
Imaging Device	1/3-in. progressive-scan RGB CMOS sensor with wide dynamic range
Image Control	Automatic white balance (AWB), automatic back lighting, automatic gain control (AGC), automatic exposure (AE), auto iris
Dynamic Range	102 dB typical/120 dB maximum
Minimum Illumination	<ul style="list-style-type: none"> • Color mode: F1.4 @ 0.65 lux • Black and white mode: F1.4 @ 0.08 lux
Signal-to-Noise Ratio (SNR)	>48 dB
Shutter	Electronic shutter
Lens	DC auto-iris lens with day/night filter Zoom: 3.5x Field of view: <ul style="list-style-type: none"> • Horizontal: 22°-76° • Vertical: 17°-56°
Camera Angle Adjustment	Pan: 340° Tilt: 160° Rotation: 200°
Video Compression	MPEG-4 SP level 0 to 4, ASP level 0 to 5, MJPEG
Audio Compression*	G.711 A-Law, G.711 U-Law, G.726
Resolution and Frame Rate	<ul style="list-style-type: none"> • NTSC/PAL • 720 x 480/576 @ 30/25 fps (D1) • 704 x 480/576 @ 30/25 fps (4CIF) • 352 x 240/288 @ 30/25 fps (CIF)
Video Streaming	<ul style="list-style-type: none"> • Single-stream MPEG-4 up to D1 720 x 480/576 @ 30/25 fps • Single-stream MJPEG up to D1 720 x 480/576 @ 15 fps • Dual-stream: MPEG-4 and MJPEG <ul style="list-style-type: none"> ◦ Primary stream MPEG-4 programmable up to 704 x 480/576 @ 25/20 fps ◦ Secondary stream MPEG-4/MJPEG (selectable) programmable up to 352 x 240/288 @ up to 15 fps
Protocols*	Dynamic Host Control Protocol (DHCP), File Transfer Protocol (FTP), Hypertext Transfer Protocol (HTTP), Secure HTTP (HTTPS), Network Time Protocol (NTP), Real-Time Transport Protocol (RTP), Real-Time Streaming Protocol (RTSP), Simple Mail Transfer Protocol (SMTP), Secure Sockets Layer/Transport Layer Security (SSL/TLS), Transmission Control Protocol/Internet Protocol (TCP/IP) 802.1x

Item	Specification
Quality of Service (QoS)*	Differentiated services code point (DSCP) marking
Power	<ul style="list-style-type: none"> • 12 VDC or 24 VAC, isolated external power supply • PoE (802.3af) @ 48V/0.3A
Power Consumption	11W (max)

*Not supported when the camera is used with Cisco Video Surveillance Manager.

Connectors

Table 2 describes the connectivity and connectors of the Cisco Video Surveillance 2520 Series IP Dome.

Table 2. Cisco Video Surveillance 2520 Series IP Dome Connectors

Item	Specification
Network Connectivity	10/100 BASE-TX Ethernet with RJ-45 connector
Video	3.5-mm service connector, provides analog video (use with included mini cable with BNC adapter during installation)
Audio*	<ul style="list-style-type: none"> • 3.5-mm audio jack-audio input for optional external microphone and audio output for option external speaker supported through Y-cable adapter • Two-way (full- or half-duplex), one-way, or audio off
Alarm Input*	Two logic-level programmable inputs
Alarm Output*	Two logic-level programmable outputs
Power Input	3-pin terminal

*Not supported when the camera is used with Cisco Video Surveillance Manager

Software

Table 3 describes the primary features of the Cisco Video Surveillance 2520 Series IP Dome software.

Table 3. Cisco Video Surveillance 2520 Series IP Dome Primary Software Features

Item	Specification
Activity Detection	4 user-definable motion detection areas; e-mail alert and FTP uploading of captured video or JPEG snapshots triggered by motion alert
Video Format	NTSC and PAL
Day/Night Settings	Auto or manual day/night operation with user-definable thresholds
Image Settings	Configurable brightness, sharpness, contrast, saturation, and white balance
Overlay Capabilities	Time, date, and text
Selectable Bit Rate	Support for Constant Bit Rate or Variable Bit Rate* (constant quality)
IP Filtering*	Users can enter a list of allowed or blocked IP addresses for viewing video and configuring camera settings
Discovery*	Cisco Discovery Protocol, Bonjour Zero-Configuration discovery
Configuration	<ul style="list-style-type: none"> • Browser-based using Internet Explorer 6.x with SP2 and later • Multiple user access levels with password protection

*Not supported when the camera is used with Cisco Video Surveillance Manager.

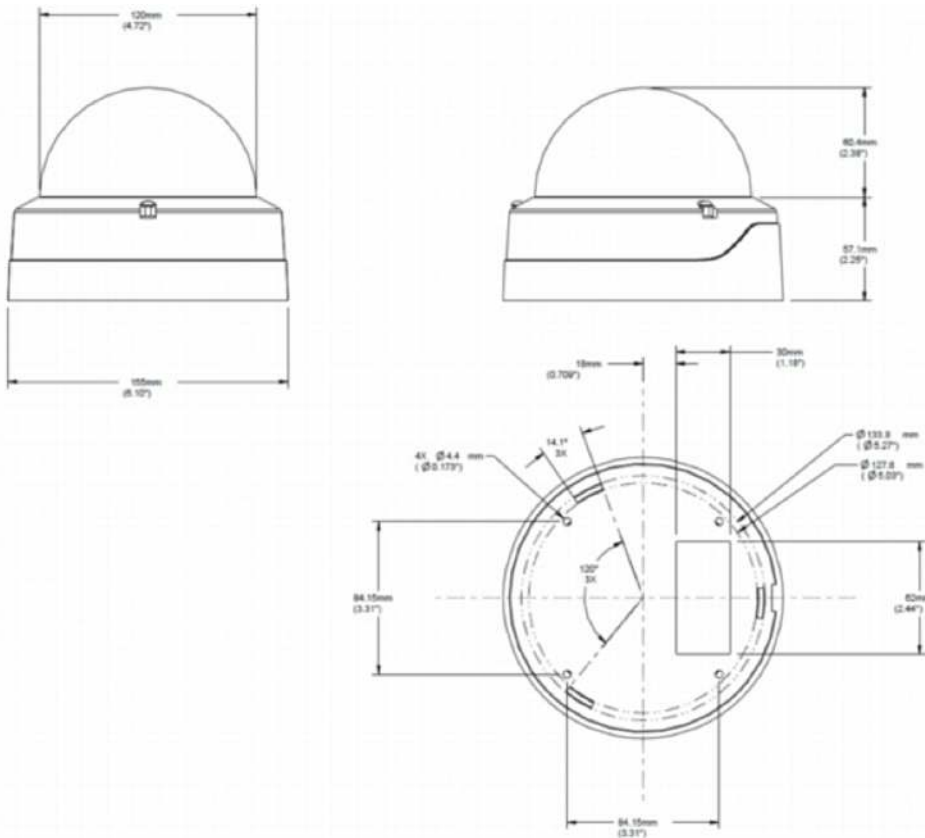
Specifications

Table 4 provides specifications of the Cisco Video Surveillance 2520 Series IP Dome.

Table 4. Cisco Video Surveillance 2520 Series IP Dome Mechanical Specifications

Item	Specification		
Housing	Metal base and polycarbonate transparent cover with tamper-resistant mounting		
LEDs	Power and Ethernet		
Dimensions (W x H)	6.10 x 4.64 in. 155 x 118 mm		
Weight	3.1 lb 1.4 kg		
Standards Compliance	Safety: UL 60950-1 CAN/CSA-C22.2 No. 60950-1 EN 60950-1 IEC 60950-1 AS/NZS 60950-1	EMC-Emissions: 47CFR Part 15 (CFR 47) Class A AS/NZS CISPR22 Class A CISPR22 Class A EN55022 Class A ICES003 Class A VCCI Class A EN61000-3-2 EN6100-3-3 KN22 Class A CNS13438 Class A	EMC-Immunity: EN50082-1 EN61000-6-1 EN55024 CISPR24 EN50130-4 KN immunity series
Operating Temperature	0 to 50°C 32 to 122°F		

Figure 2. Cisco Video Surveillance 2520 Series IP Dome Dimensions Without Included Conduit Case



Package Contents

Table 5 describes the items that ship with the Cisco Video Surveillance 2520 Series IP Dome.

Table 5. Cisco Video Surveillance 2520 Series IP Dome Package Contents

Item
Cisco Video Surveillance 2520 Series IP Dome
Quick start guide
Regulatory compliance and safety information
Accessories: <ul style="list-style-type: none"> • Mini cable with BNC adapter • Y-cable for audio input/output • Mounting template • Conduit case • Black cylindrical snap-on ferrite core (qty. 1) • White cylindrical snap-on ferrite core (qty. 2) • 0.9-mm Allen wrench for locking/unlocking the lens focus ring • Torx security wrench for tamper-resistance screws • 8-32 x 5/16" screws (qty. 4) • Spare gasket (qty. 1)

Availability

The Cisco Video Surveillance 2520 Series IP Dome is available through Cisco Authorized Distributors.

Ordering Information

Table 6 lists the part numbers for the Cisco Video Surveillance 2520 Series IP Dome and accessories.

Table 6. Cisco Video Surveillance 2520 Series IP Dome Ordering Information

Part Number	Description
CIVS-IPC-2520V	Cisco Standard-Definition IP Clear Dome, D/N, 2.8–10 mm, vandal-resistant
CIVS-IPC-2521V	Cisco Standard-Definition IP Smoked Dome, D/N, 2.8–10 mm, vandal-resistant
Accessories	
CIVS-IPCA-1004=	Dome, Clear, 2500 Series
CIVS-IPCA-1005=	Dome, Smoked, 2500 Series
CIVS-IPCA-1006=	Conduit base spare with extra gaskets, 2500 Series
CIVS-IPCA-1007=	Ceiling mount support
CIVS-IPCA-1010=	Pendant cap
CIVS-IPCA-1011=	Wall mount for use with CIVS-IPCA-1010
CIVS-IPCA-1012=	Ceiling mount for use with CIVS-IPCA-1010
CIVS-IPCA-1013=	Pendant cap adapter (3/4" to 1.5" male NPT thread)
CIVS-IPCA-1014=	Round pole mount adapter for use with wall mount

Using the Camera with Cisco Video Surveillance Manager

Features that are marked with an asterisk (*) are not supported when using the camera with Cisco Video Surveillance Manager. Please refer to the Release Notes for Cisco Video Surveillance Manager 4.2/6.2 for more information:

http://www.cisco.com/en/US/docs/security/physical_security/video_surveillance/network/media_server/6_2/release_notes/rn42_62.pdf

Service and Support

Cisco offers a wide range of services programs to accelerate customer success. These innovative programs are delivered through a unique combination of people, processes, tools, and partners, resulting in high levels of customer satisfaction. Cisco services help you to protect your network investment, optimize network operations, and prepare your network for new applications to extend network intelligence and the power of your business. For more information about Cisco services, visit [Cisco Technical Support Services](#) or [Cisco Advanced Services](#).

For More Information

For more information about Cisco Video Surveillance solutions, visit <http://www.cisco.com/en/US/products/ps6712/index.html> or contact your local account representative.



Americas Headquarters
Cisco Systems, Inc.
San Jose, CA

Asia Pacific Headquarters
Cisco Systems (USA) Pte. Ltd.
Singapore

Europe Headquarters
Cisco Systems International BV
Amsterdam, The Netherlands

Cisco has more than 200 offices worldwide. Addresses, phone numbers, and fax numbers are listed on the Cisco Website at www.cisco.com/go/offices.

Cisco and the Cisco Logo are trademarks of Cisco Systems, Inc. and/or its affiliates in the U.S. and other countries. A listing of Cisco trademarks can be found at www.cisco.com/go/trademarks. Third party trademarks mentioned are the property of their respective owners. The use of the word partner does not imply a partnership relationship between Cisco and any other company. (10020)