

Reconfigurable Optical Add/Drop Multiplexing Portfolio for the Cisco ONS 15454 Multiservice Transport Platform

The Cisco® ONS 15454 Multiservice Transport Platform (MSTP) provides a comprehensive, intelligent dense wavelength-division multiplexing (DWDM) solution for expanding metropolitan-area (metro) and regional bandwidth.

Product Overview

The Cisco ONS 15454 MSTP offers a fully integrated reconfigurable optical add/drop multiplexing (ROADM) solution, shown in Figure 1, for delivering any wavelength to any location in a metro or regional network. The ROADM cards are part of the Cisco ONS 15454 MSTP intelligent DWDM architecture engineered to reduce DWDM complexity and speed the deployment of next-generation networking solutions.

Figure 1

Reconfigurable Optical Add/Drop Multiplexing Units



Plug-in modules that deliver flexible access to network bandwidth from a single DWDM channel all the way to 32 channels, Cisco ONS 15454 ROADM cards support the requirements of service provider and enterprise networks. Table 1 outlines the ROADM module types available for the Cisco ONS 15454 MSTP with the applications they are designed to support.

Table 1. ROADM Units with Applications

Component	Deployment Application
32-channel wavelength selective switch (WSS) – C band	This unit is the key unit for the ROADM solution operating in the C band. It can remotely and automatically control assignment of a wavelength to a network node. Dynamic Gain Equalization (DGE) is an automatic per-channel power control capability, allowing this unit to be deployed also in selected line amplification sites in the network to improve overall system performance.
32-channel demultiplexer – C band	This unit operates with the 32-channel WSS in C band ROADM nodes to provide access to channels to be dropped locally. Embedded automatic power control mechanisms enable it to interface with different types of DWDM units without requiring external attenuators.
32-channel WSS – L band	This unit is the key unit for the ROADM solution operating in the L band. It can remotely and automatically control assignment of a wavelength to a network node. DGE allows this unit to be deployed also in selected line amplification sites in the network to improve overall system performance.
32-channel demultiplexer – L band	This unit operates with the 32-channel WSS in L band ROADM nodes to provide access to channels to be dropped locally. Embedded automatic power control mechanisms enable it to interface with different types of DWDM units without requiring external attenuators.

The Cisco ONS 15454 ROADM cards operate on the ITU 100-GHz wavelength plan. Each card integrates automatic per-channel optical power control capabilities, providing automatic node- and network-based power level management. Per-channel optical path selection is also done automatically through Wavelength Path Provisioning (WPP) at network level, featuring GUI-based wavelength provisioning and easy SONET/SDH-like wavelength management.

The ROADM node architecture provides:

- High reliability – Complete independence between west- and east-facing units allows units to be housed in two separate shelves.
- Automatic optical power balancing – Per-channel automatic power control allows a unique “self healing” intelligent approach to DWDM.
- Low insertion loss – Direct integration of different functionalities in the same optical module reduces optical connections to the bare minimum.
- Fast switching – Currently deployed units can provide shared optical protection directly in the optical domain with a protection time comparable with what SONET/SDH guarantees.

The optical cards incorporate LEDs on the faceplate to provide a quick visual check of the card’s operational status. An icon on each faceplate is mapped to shelf-slot icons indicating the shelf slot where the card can be installed. The cards are supported by the integrated Cisco Transport Controller craft manager, which provides access for operations, administration, maintenance, and provisioning for the system. Utilizing the embedded units capabilities, Cisco Transport Controller can also provide a per-channel graphical representation of the optical power levels associated with each individual path in the ROADM nodes (Figure 2).

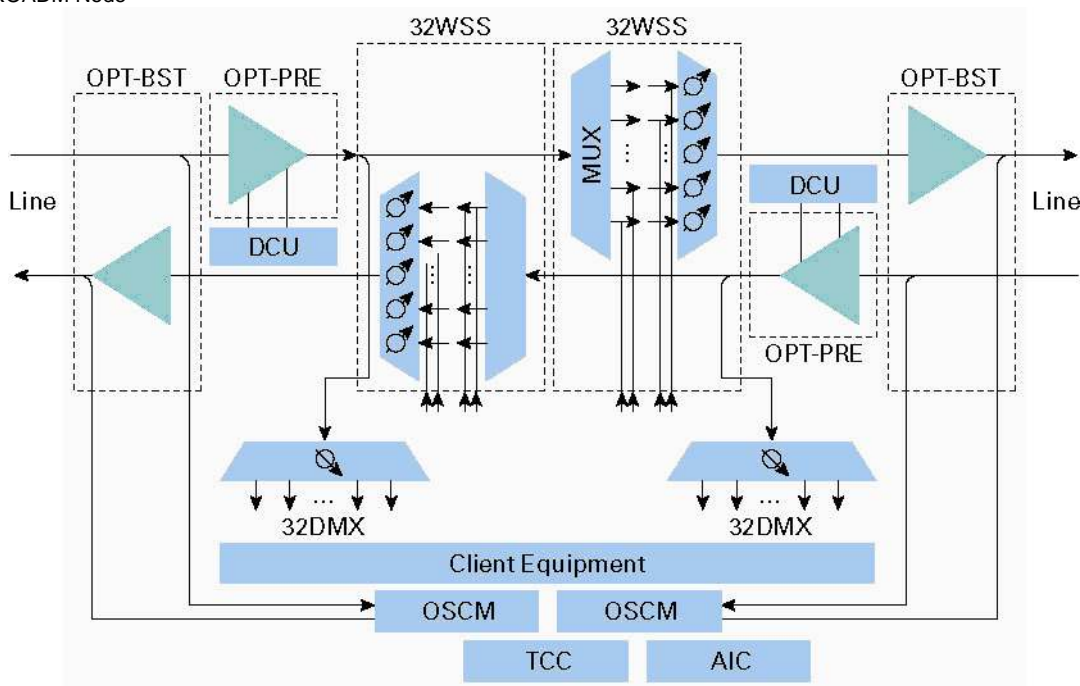
Figure 2
Cisco Transport Control Per-Channel Optical Power Monitoring



The flexibility provided by the ROADM unit simplifies the design of optical networks. With the Cisco MetroPlanner optical design tool, you can design DWDM networks based on ROADM functions and verify all possible optical paths and DWDM interface types. This fully flexible method of network design allows you to compare different solutions and create “what-if” scenarios in a simple and effective way.

Figure 3 shows a sample signal-flow diagram for a Cisco ONS 15454 MSTP C-band ROADM node, outlining the use for each unit type.

Figure 3
MSTP C-band ROADM Node



Product Specifications

Tables 2 through 5 give specifications of the Cisco ONS 15454 ROADM cards. Figures 4 and 5 are functional diagrams for the Cisco ONS 15454 ROADM cards.

Table 2. Regulatory Compliance¹

ANSI System	ETSI System
Countries	
Canada, United States, Mexico, Korea, Japan, European Union	European Union, Australia, New Zealand, Singapore, China, Mexico, Hong Kong, Korea
EMC emissions (radiated, conducted)	
<ul style="list-style-type: none"> ICES-003 GR-1089-CORE 47CFR15 VCCI V-3/2000.04 CISPR24 	<ul style="list-style-type: none"> EN 300 386-TC EN50081-1 EN55022 AS/NZS3548, Amendment 1 + 2 1995
EMC immunity	
<ul style="list-style-type: none"> GR-1089-CORE CISPR24 EN50082-2 	<ul style="list-style-type: none"> EN300-386-TC EN55024
Safety	
<ul style="list-style-type: none"> CAN/CSA-C22.2 No. 60950-00 Third Ed., 12/1/2002 GR-1089-CORE GR-63-CORE TS001 	<ul style="list-style-type: none"> UL 60950 Third Ed., 12/1/2000 EN60950 (to A4) IEC60950/EN60950, Third Ed. AS/NZS3260 Supplement 1, 2, 3, 4, 1997
Environmental	
<ul style="list-style-type: none"> GR-63-CORE AT&T Network Equipment Design Specifications (NEDS) 	<ul style="list-style-type: none"> ETS 300-019 (Class 3.1E) (Note 2)
Structural dynamics	
<ul style="list-style-type: none"> GR-63-CORE AT&T NEDS 	<ul style="list-style-type: none"> ETS 300-019 (Class 3.1E) (Note 2)
Power and grounding	
<ul style="list-style-type: none"> SBC (TP76200MP) ETS 300-132-1 (DC power) 	<ul style="list-style-type: none"> ETS 300-253 (grounding)
Optical	
<ul style="list-style-type: none"> GR-253-CORE G.692 	
Quality	
<ul style="list-style-type: none"> TR-NWT-000332, Issue 4, Method 1 calculation for 20-year mean time between failure (MTBF) 	

¹ All compliance testing and documentation may not be completed at release of the product. Check with your sales representative for countries outside of Canada, the United States, and the European Union.

Table 3. System Requirements

Component	Cisco ONS 15454 ANSI	Cisco ONS 15454 ETSI
Processor	TCC2P/TCC2	TCC2P/TCC2
Cross-connect	All (not required)	All (not required)
Shelf assembly	15454-SA-HD or 15454-SA-HD-DDR shelf assembly with FTA3 version fan-tray assembly	15454-SA-ETSI shelf assembly with SDH 48V fan-tray assembly
System software	Release 5.0.0 ANSI or greater for C-band units Release 7.0.0 ANSI or greater for L-band units	Release 5.0.0 ETSI or greater for C-band units Release 7.0.0 ETSI or greater for L-band units

Table 4. ROADM Card Specifications

Specification	32-Channel Wavelength Selective Switch – C Band	32-Channel Demultiplexer – C Band	32-Channel Wavelength Selective Switch – L Band	32-Channel Demultiplexer – L Band
Management				
Card LEDs				
Failure (FAIL)	Red	Red	Red	Red
Active/standby (ACT/STBY)	Green/yellow	Green/yellow	Green/yellow	Green/yellow
Signal fail (SF)	Yellow	Yellow	Yellow	Yellow
Operating environment				
Temperature	–5 to 55°C 23 to 131°F	–5 to 55°C 23 to 131°F	–5 to 55°C 23 to 131°F	–5 to 55°C 23 to 131°F
Humidity	5 to 95% RH	5 to 95% RH	5 to 95% RH	5 to 95% RH
Storage environment				
Temperature	–40 to 70°C –40 to 158°F	–40 to 70°C –40 to 158°F	–40 to 70°C –40 to 158°F	–40 to 70°C –40 to 158°F
Humidity	5 to 95% RH	5 to 95% RH	5 to 95% RH	5 to 95% RH

Figure 4
Functional Diagrams of 32-Channel WSS Cards

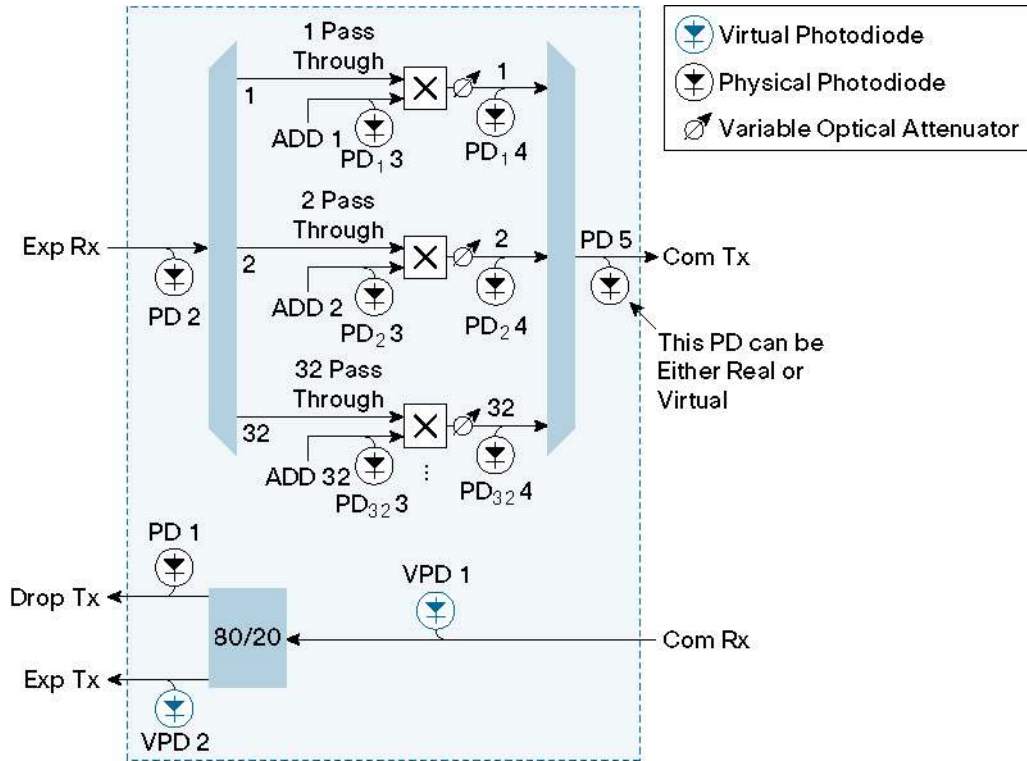


Figure 5
Functional Diagrams of 32-Channel DMX Cards

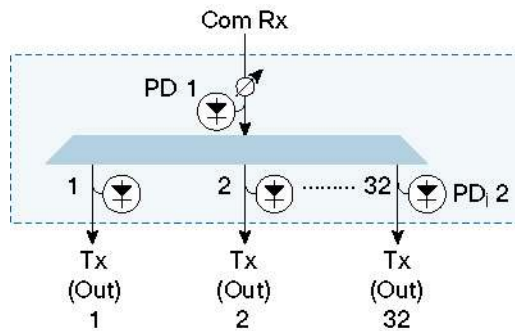


Table 5. Specifications for ROADM Cards

Specification	32-Channel Wavelength Selective Switch – C Band	32-Channel Demultiplexer – C Band	32-Channel Wavelength Selective Switch – L Band	32-Channel Demultiplexer – L Band
Optical parameters				
Insertion loss (maximum at minimum VOA)	11.3 dB (EXP-RX – COM-TX) 1.6 dB (COM-RX – EXP-TX) 8.0 dB (Add 1-32 – COM-TX) 8.5 dB (COM-RX – DROP-TX)	5.8 dB	11.3 dB (EXP-RX – COM-TX) 1.6 dB (COM-RX – EXP-TX) 8.0 dB (Add 1-32 – COM-TX) 8.5 dB (COM-RX – DROP-TX)	5.8 dB
Minimum VOA dynamic range	20 dB (EXP-RX – COM-TX) 25 dB (Add 1-32 – COM-TX)	25 dB	25 dB	25 dB
Maximum input power	25 dBm	25 dBm	25 dBm	25 dBm
Filter type	Array wave guide (AWG)	AWG	AWG	AWG
Minimum transmit filter –1 dB bandwidth (all operating conditions and attenuation values)	±135 pm (EXP-RX COM-TX) ±160 pm (Add COM-TX)	±100 pm	±135 pm (EXP-RX COM-TX) ±160 pm (Add COM-TX)	±100 pm
Adjacent crosstalk (all operating conditions and attenuation values)	23 dB (minimum) 30 dB (typical)	25 dB (minimum)	23 dB (minimum) 30 dB (typical)	25 dB (minimum)
Non-adjacent crosstalk (all operating conditions and attenuation values)	30 dB (minimum) 42 dB (typical)	34 dB (minimum)	30 dB (minimum) 42 dB (typical)	34 dB (minimum)
Total crosstalk (all operating conditions and attenuation values)	20 dB (minimum) 27 dB (typical)	20 dB (minimum)	20 dB (minimum) 27 dB (typical)	20 dB (minimum)
Maximum polarization dependent loss (PDL) (all operating conditions and attenuation values)	3.5 dB (Add 1-32 – COM-TX) 0.2 dB (COM-RX – EXP-TX) 0.4 dB (COM-RX – DROP-TX)	0.6 dB	3.5 dB (Add 1-32 – COM-TX) 0.2 dB (COM-RX – EXP-TX) 0.4 dB (COM-RX – DROP-TX)	0.6 dB
Optical power setting accuracy (all operating conditions and attenuation values)	±0.7 dB	–	±0.7 dB	–
Minimum return loss	40 dB	40 dB	40 dB	40 dB
Connectors				
Channel input/output ports	MPO	MPO	MPO	MPO
Composite ports	LC	LC	LC	LC
Power				
Card power draw				
Typical	50W	15W	50W	15W
Maximum	65W	25W	65W	25W
Physical				
Size	2 slots	1 slot	2 slots	1 slot
Supported shelf slots	1–6, 12–17	1–6, 12–17	1–6, 12–17	1–6, 12–17

Ordering Information

Table 6 gives ordering information for the Cisco ONS 15454.

Table 6. System Ordering Information

Part Number	Description
15454-32-WSS=	32-Channel Wavelength Selective Switch, C-band, MPO connectors for add path, LC connectors for interconnection, includes two 2-m LC/LC fiber-optic cables
15454-32-WSS-L=	32-Channel Wavelength Selective Switch, L-band, MPO connectors for add path, LC connectors for interconnection, includes two 2-m LC/LC fiber-optic cables
15454-32-DMX=	32-Channel Demultiplexer 100 GHz (for use with 32-WSS), C-band, MPO connectors for drop path, LC connectors for interconnection, includes one 2-m LC/LC fiber-optic cables
15454-32-DMX-L=	32-Channel Demultiplexer 100 GHz (for use with 32-WSS), L-band, MPO connectors for drop path, LC connectors for interconnection, includes one 2-m LC/LC fiber-optic cables

**Corporate Headquarters**

Cisco Systems, Inc.
170 West Tasman Drive
San Jose, CA 95134-1706
USA
www.cisco.com
Tel: 408 526-4000
800 553-NETS (6387)
Fax: 408 526-4100

European Headquarters

Cisco Systems International BV
Haarlerbergpark
Haarlerbergweg 13-19
1101 CH Amsterdam
The Netherlands
www-europe.cisco.com
Tel: 31 0 20 357 1000
Fax: 31 0 20 357 1100

Americas Headquarters

Cisco Systems, Inc.
170 West Tasman Drive
San Jose, CA 95134-1706
USA
www.cisco.com
Tel: 408 526-7660
Fax: 408 527-0883

Asia Pacific Headquarters

Cisco Systems, Inc.
168 Robinson Road
#28-01 Capital Tower
Singapore 068912
www.cisco.com
Tel: +65 6317 7777
Fax: +65 6317 7799

Cisco Systems has more than 200 offices in the following countries and regions. Addresses, phone numbers, and fax numbers are listed on the **Cisco Website at www.cisco.com/go/offices.**

Argentina • Australia • Austria • Belgium • Brazil • Bulgaria • Canada • Chile • China PRC • Colombia • Costa Rica
Croatia • Cyprus • Czech Republic • Denmark • Dubai, UAE • Finland • France • Germany • Greece • Hong Kong SAR
Hungary • India • Indonesia • Ireland • Israel • Italy • Japan • Korea • Luxembourg • Malaysia • Mexico
The Netherlands • New Zealand • Norway • Peru • Philippines • Poland • Portugal • Puerto Rico • Romania • Russia
Saudi Arabia • Scotland • Singapore • Slovakia • Slovenia • South Africa • Spain • Sweden • Switzerland • Taiwan
Thailand • Turkey • Ukraine • United Kingdom • United States • Venezuela • Vietnam • Zimbabwe

All contents are Copyright © 1992–2006 Cisco Systems, Inc. All rights reserved. Cisco, Cisco Systems, and the Cisco Systems logo are registered trademarks or trademarks of Cisco Systems, Inc. and/or its affiliates in the United States and certain other countries.

All other trademarks mentioned in this document or Website are the property of their respective owners. The use of the word partner does not imply a partnership relationship between Cisco and any other company. (0502R) Pa/LW9883 01/06

