

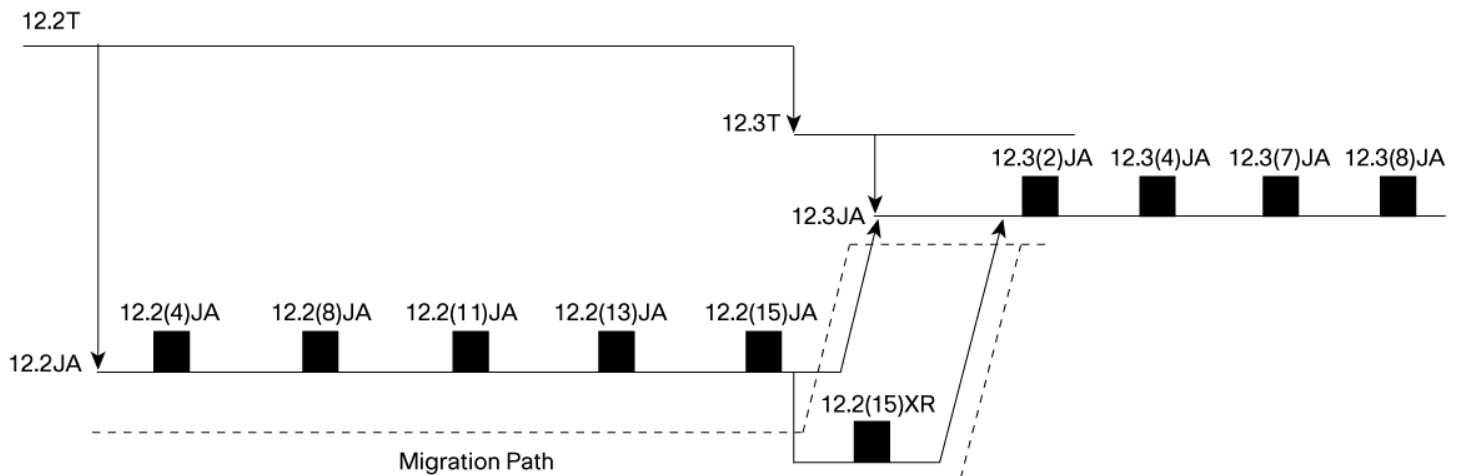
## Cisco IOS Software Deployment Release 12.3(8)JA

This product bulletin describes the content and delivery information for Cisco IOS® Software Release 12.3(8)JA, a deployment release supporting Cisco® Aironet® 1400 Series outdoor wireless bridges, Cisco Aironet 1300 Series outdoor access points/bridges, and Cisco Aironet 1240AG, 1230AG, 1200, 1130AG, and 1100 series access points. This release contains new features as well as support for the features delivered in Cisco IOS Software Release 12.3(7)JA, described in Product Bulletin 3042.

Cisco IOS Software Release 12.3(8)JA provides several features for Cisco Aironet 1400 Series outdoor wireless bridges, Cisco Aironet 1300 Series outdoor access points/bridges, and Cisco Aironet 1240AG, 1230AG, 1200, 1130AG, and 1100 series access points. Feature enhancements include support for management frame protection, 802.1X supplicant for Extensible Authentication Protocol-Flexible Authentication via Secure Tunneling (EAP-FAST) and Extensible Authentication Protocol-Transport Layer Security (EAP-TLS), Packet of Disconnect, voice power-saving features, and undergoing FIPS 140-2 Level 2 validation.

This Cisco IOS Software release is available as a free software upgrade for Cisco Aironet 1240, 1230, 1200, 1130, 1100, and 350 series access points, Cisco Aironet 1400 Series bridges, and 1300 Series outdoor access points/bridges. Figure 1 displays the release train and recommended migration path for Cisco IOS Software Release 12.3(8)JA. Only bug fixes are provided for Cisco Aironet 350 Series access points in this release.

**Figure 1.** Release Train and Recommended Migration Path for Cisco IOS Software Release 12.3(8)JA



## NEW FEATURES IN CISCO IOS SOFTWARE RELEASE 12.3(8)JA

Table 1 lists new features in Cisco IOS Software Release 12.3(8)JA. These features are supported in this release for the platforms noted.

**Table 1.** New Cisco IOS Software Features

New Features	Cisco Aironet 1100 Series Access Point	Cisco Aironet 1130AG Series Access Point	Cisco Aironet 1200 Series Access Point	Cisco Aironet 1230AG Series Access Point	Cisco Aironet 1240AG Series Access Point	Cisco Aironet 1300 Series Access Point/Bridge	Cisco Aironet 1400 Series Wireless Bridge
Wireless IDS Management Frame Protection	–	X	–	–	X	X	–
IEEE 802.1X Supplicant	–	X	–	–	X	X	X
IEEE 802.1X Support for EAP-TLS, EAP-FAST	–	X	–	–	X	X	X
Packet of Disconnect	X	X	X	X	X	X	–
Wi-Fi Multimedia TSPEC Call Admission Control (CAC)	X	X	X	X	X	X	–
Gratuitous Probe Response for Dual-Mode Phones	–	X	X	X	X	–	–
Unscheduled Automatic Power Save Delivery (UPSD)	X	X	X	X	X	X	–
VoWLAN Metrics	X	X	X	X	X	X	–
Undergoing FIPS 140-2 Level 2 Validation	X	X	X	X	X	X	–
RADIUS-Based Mobility Group Assignment	X	X	X	X	X	X	–

New Features	Cisco Aironet 1100 Series Access Point	Cisco Aironet 1130AG Series Access Point	Cisco Aironet 1200 Series Access Point	Cisco Aironet 1230AG Series Access Point	Cisco Aironet 1240AG Series Access Point	Cisco Aironet 1300 Series Access Point/Bridge	Cisco Aironet 1400 Series Wireless Bridge
<b>IGMP Snooping-Based Multicast for Wireless</b>	–	X	–	–	X	X	–
<b>Resilient Tunnel Recovery for Wireless</b>	X	X	X	X	X	X	–

**Note:** Cisco Aironet 1000 Series access points support the Lightweight Access Point Protocol (LWAPP) and do not support Cisco IOS Software.

## CISCO IOS SOFTWARE RELEASE 12.3(8)JA FEATURE DESCRIPTION

### Wireless Intrusion Detection System (IDS)—Management Frame Protection

This feature provides for the authentication of 802.11 management frames by the wireless network infrastructure. This allows the network to detect spoofed frames from attackers impersonating valid infrastructure devices.

### IEEE 802.1X Supplicant

This feature supports an 802.1X supplicant for EAP-FAST and EAP-TLS that provides a secure method for enabling 802.1X authentication on the switch ports that are connected to access points.

### IEEE 802.1X Support for EAP-TLS, EAP-FAST

Supports the use of IEEE 802.1X standard port-based EAP-TLS and EAP-FAST protocols for all authentication requirements for the access point. Roles supported include repeater/work group bridge to root, access point to WDS, access point to 802.1X/IBNS port.

### Packet of Disconnect

This feature is implemented per the standards defined in RFC 3576 and offers service providers the ability to terminate an 802.11 user session from a RADIUS server.

### Wi-Fi Multimedia TSPEC Call Admission Control

This quality of service (QoS) feature helps ensure predictable voice quality and encourages roaming by managing the total voice load on the access point. Call Admission Control (CAC) keeps the number of active voice calls from exceeding the configured limits of an access point. With this feature, phones are always connected to an access point, but not necessarily on an active call. This helps ensure that the voice quality of existing calls is maintained.

### Gratuitous Probe Response for Dual-Mode Phones

This feature conserves the battery power of a dual-mode (cellular and WLAN) phone by providing a packet that is transmitted from the access point at a predefined high-rate time interval. With Gratuitous Probe Response, the phone is not required to listen for beacons on each channel to detect the presence of a WLAN while in cellular mode. This allows the phone to spend less time detecting a WLAN.

### **Unscheduled Automatic Power Save Delivery**

This QoS feature extends the battery life of mobile clients and reduces the latency of traffic flow over the wireless media. Since it does not require the client station to send a poll for each individual packet buffered at the access point, this feature allows delivery of multiple downlink packets by sending a single uplink trigger packet. Unscheduled Automatic Power Save Delivery (UPSD) is enabled when Wi-Fi Multimedia (WMM) is enabled on the radio interface. This feature improves the quality of VoIP packet handling on access points by enhancing 802.11 MAC behavior for lower latency. It provides enhanced retry and rate shifting algorithms that reduce congestion on wireless networks.

**Note:** In Cisco IOS Software Release 12.3(8)JA, UPSD supports only the access point role. Repeaters, bridges, and workgroup bridge roles are not supported.

### **VoWLAN Metrics**

This feature provides diagnostic information pertinent to VoIP performance on the WLAN and aids in determining whether problems are being introduced by the WLAN or the wired network. VoWLAN metrics supported include measurements of jitter and packet loss on a location, access point, or client basis, as well as information on client roaming and roam latency.

### **RADIUS-Based Mobility Group Assignment**

This feature provides the ability to assign wireless users to different mobility groups based on user credentials stored in the RADIUS server.

### **IGMP Snooping-Based Multicast for Wireless**

This feature provides the ability to deliver multicast traffic to wireless clients across the Native VLAN of an access point without requiring the need for trunking or multiple multicast enabled networks on the first hop layer 3 router. With this feature, the access point is able to deliver multicast to wireless clients with dynamically assigned mobility groups.

### **Resilient Tunnel Recovery for Wireless**

Automatic recovery of mobility tunnels after WLSM failure with zero client interruption.

## **ADDITIONAL INFORMATION**

### **Manual Configuration of Channels on W52/W53 for Dynamic Frequency Selection (DFS)**

This option accommodates the Japanese 5 GHz standard, allowing manual configuration on channels W52 (5180, 5200, 5220, 5240 MHz) and W53 (5260, 5280, 5300, 5320 MHz).

## **RELEASE NOTES**

For more information about the platforms and features delivered in Cisco IOS Software Release 12.3(8)JA, release notes are available at:

[http://www.cisco.com/en/US/products/hw/wireless/tsd\\_products\\_support\\_category\\_home.html](http://www.cisco.com/en/US/products/hw/wireless/tsd_products_support_category_home.html)

## **SUPPORT**

Cisco IOS Software Release 12.3(8)JA follows the standard Cisco support policy. For more information, visit:

[http://www.cisco.com/en/US/products/hw/wireless/tsd\\_products\\_support\\_category\\_home.html](http://www.cisco.com/en/US/products/hw/wireless/tsd_products_support_category_home.html)

## PRODUCT FEATURES AND MODEL NUMBERS

Cisco IOS Software Release 12.3(8)JA feature sets, images, and memory recommendations are listed in Table 2. The products supported by this release are listed in Table 3.

**Table 2.** Cisco IOS Software Release 12.3(8)JA Feature Sets, Images, and Memory Recommendations

Platform	Software Feature Set	Product Code	Image	Flash	DRAM
Cisco Aironet 1100 Series Access Points	Wireless LAN	S11W7K9-12308JA	c1100-k9w7-tar.123-8.JA.tar	8 MB	16 MB
Cisco Aironet 1130AG Series Access Points	Wireless LAN	S113W7K9-12308JA	c1130-k9w7-tar.123-8.JA.tar	16 MB	32 MB
Cisco Aironet 1200 Series Access Points	Wireless LAN	S12W7K9-12308JA	c1200-k9w7-tar.123-8.JA.tar	8 MB	16 MB
Cisco Aironet 1240AG Series Access Points	Wireless LAN	S124W7K9-12308JA	c1240-k9w7-tar.123-8.JA.tar	16 MB	32 MB
Cisco Aironet 1300 Series Outdoor Access Points/Bridges	Wireless LAN	S131W7K9-12308JA	c1310-k9w7-tar.123-8.JA.tar	8 MB	32 MB
Cisco Aironet 1400 Series Wireless Bridges	Wireless LAN	S141W7K9-12308JA	c1410-k9w7-tar.123-8.JA.tar	8 MB	32 MB

**Table 3.** Products Supported by Cisco IOS Software Release 12.3(8)JA

Platform	Model Number
Cisco Aironet 1400 Series Wireless Bridges	BR1410A
Cisco Aironet 1300 Series Outdoor Access Points/Bridges	BR1310G
Cisco Aironet 1240AG Series Access Points	AP1242AG
Cisco Aironet 1230AG Series Access Points	AP1232AG
Cisco Aironet 1200 Series Access Points	AP1210, AP1230A, AP1230B, AP1231G
Cisco Aironet 1130AG Series Access Points	AP1131AG
Cisco Aironet 1100 Series Access Points	AP1120B, AP1121G
Cisco Aironet 350 Series Access Points	AP350

## DOWNLOAD INFORMATION

Cisco IOS Software Release 12.3(8)JA can be downloaded from the following locations:

<http://tools.cisco.com/support/downloads/pub/MDFTree.x?butype=wireless>

<http://www.cisco.com/public/sw-center/sw-ios.shtml>

**Corporate Headquarters**

Cisco Systems, Inc.  
170 West Tasman Drive  
San Jose, CA 95134-1706  
USA  
www.cisco.com  
Tel: 408 526-4000  
800 553-NETS (6387)  
Fax: 408 526-4100

**European Headquarters**

Cisco Systems International BV  
Haarlerbergpark  
Haarlerbergweg 13-19  
1101 CH Amsterdam  
The Netherlands  
www-europe.cisco.com  
Tel: 31 0 20 357 1000  
Fax: 31 0 20 357 1100

**Americas Headquarters**

Cisco Systems, Inc.  
170 West Tasman Drive  
San Jose, CA 95134-1706  
USA  
www.cisco.com  
Tel: 408 526-7660  
Fax: 408 527-0883

**Asia Pacific Headquarters**

Cisco Systems, Inc.  
168 Robinson Road  
#28-01 Capital Tower  
Singapore 068912  
www.cisco.com  
Tel: +65 6317 7777  
Fax: +65 6317 7799

Cisco Systems has more than 200 offices in the following countries and regions. Addresses, phone numbers, and fax numbers are listed on **the Cisco Website at [www.cisco.com/go/offices](http://www.cisco.com/go/offices).**

Argentina • Australia • Austria • Belgium • Brazil • Bulgaria • Canada • Chile • China PRC • Colombia • Costa Rica • Croatia • Cyprus  
Czech Republic • Denmark • Dubai, UAE • Finland • France • Germany • Greece • Hong Kong SAR • Hungary • India • Indonesia • Ireland • Israel  
Italy • Japan • Korea • Luxembourg • Malaysia • Mexico • The Netherlands • New Zealand • Norway • Peru • Philippines • Poland • Portugal  
Puerto Rico • Romania • Russia • Saudi Arabia • Scotland • Singapore • Slovakia • Slovenia • South Africa • Spain • Sweden • Switzerland • Taiwan  
Thailand • Turkey • Ukraine • United Kingdom • United States • Venezuela • Vietnam • Zimbabwe

Copyright © 2006 Cisco Systems, Inc. All rights reserved. CCSP, CCVP, the Cisco Square Bridge logo, Follow Me Browsing, and StackWise are trademarks of Cisco Systems, Inc.; Changing the Way We Work, Live, Play, and Learn, and iQuick Study are service marks of Cisco Systems, Inc.; and Access Registrar, Aironet, BPX, Catalyst, CCDA, CCDP, CCIE, CCIP, CCNA, CCNP, Cisco, the Cisco Certified Internetwork Expert logo, Cisco IOS, Cisco Press, Cisco Systems, Cisco Systems Capital, the Cisco Systems logo, Cisco Unity, Enterprise/Solver, EtherChannel, EtherFast, EtherSwitch, Fast Step, FormShare, GigaDrive, GigaStack, HomeLink, Internet Quotient, IOS, IP/TV, iQ Expertise, the iQ logo, iQ Net Readiness Scorecard, LightStream, Linksys, MeetingPlace, MGX, the Networkers logo, Networking Academy, Network Registrar, Packet, PIX, Post-Routing, Pre-Routing, ProConnect, RateMUX, ScriptShare, SlideCast, SMARTnet, The Fastest Way to Increase Your Internet Quotient, and TransPath are registered trademarks of Cisco Systems, Inc. and/or its affiliates in the United States and certain other countries.

All other trademarks mentioned in this document or Website are the property of their respective owners. The use of the word partner does not imply a partnership relationship between Cisco and any other company. (0601R)

