

Embracing the circular economy.

Protecting the circle of life.

Circular economy with connected IoT devices

We are advancing circularity across the product lifecycle

Make

- Circular design for product and packaging



Reuse & Recycle

- Product Takeback and Reuse
- Cisco Refresh



Use

- Product energy efficiency
 - Hardware and software support
- Hardware. E.g. for IR1101 reduce the idle energy consumption by 45%* from the previous generation and 35%* when running on full load

Circular economy IoT product example

1

Standardize & Modularize



IR1101

- ✓ Flexibility 140+ unique combinations possible with modular design
- ✓ Extended Lifetime
- ✓ Accelerate Innovation
- ✓ Ease of Repair & Reuse
- ✓ Investment Maximization

2

Energy Efficiency

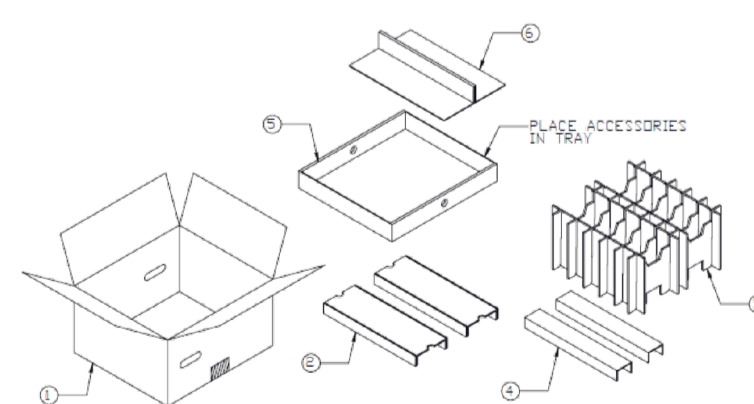
	Previous Generation	IR1101
Idle	12W	6.6W
Typical	15W	9.8W
Maximum	19W	12W*



Estimated 35%*-45%* Drop in power

3

Packaging Sustainability



Reduce Foam | Maximize Utility | Multi-Pack Option