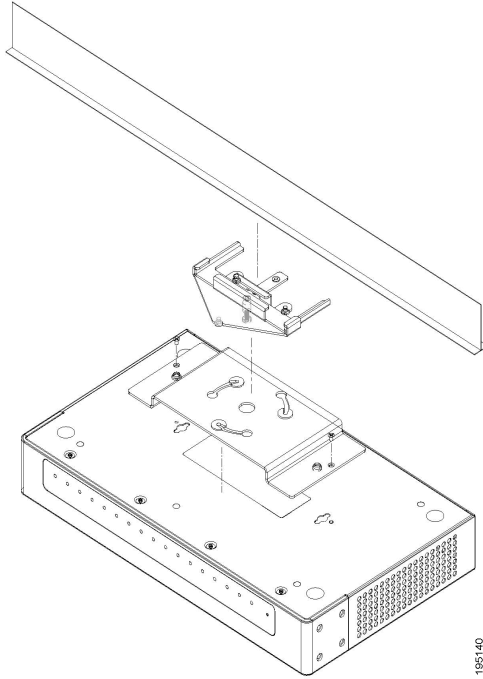




Ceiling Mount Instructions



Cisco Small Business

Cisco AP541N Ceiling Mount Installation Instructions

Published: September 14, 2009

Revised: November 23, 2010

Part Number: 78-19885-01

This document describes the use of the AP540N-CMK Ceiling Mount to deploy the Cisco AP541N.

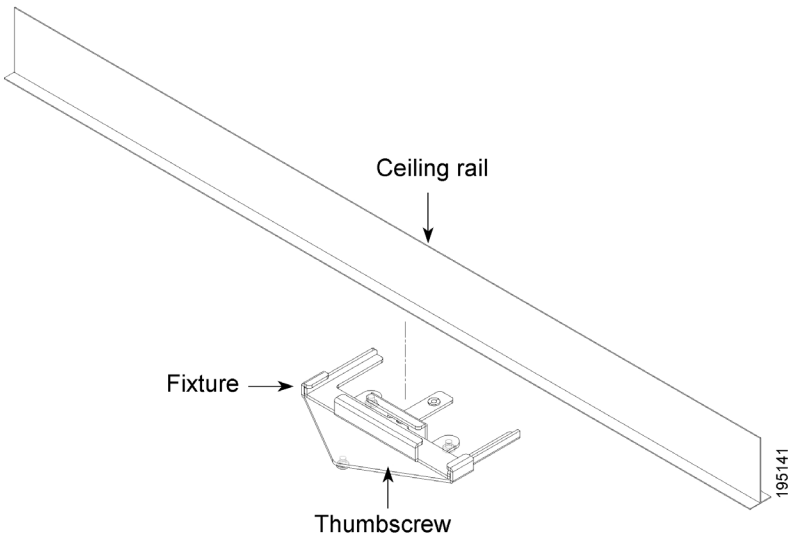


WARNING

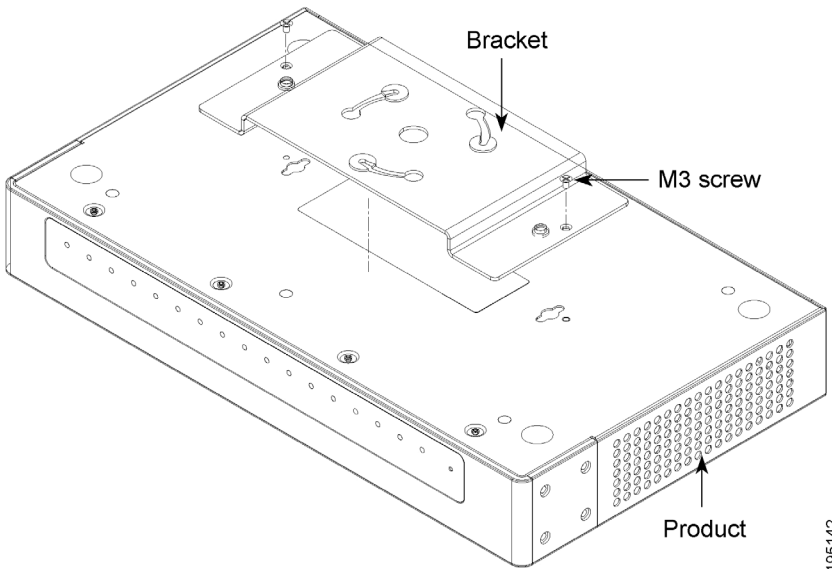
Insecure mounting might damage the device or cause injury. Cisco is not responsible for damages or injury incurred by insecure wall-mounting or ceiling-mounting.

To install the ceiling mount onto the ceiling rail:

- STEP 1** Spread the fixture so it fits over the flanges in the ceiling rail.
- STEP 2** Compress the fixture to its original, closed position so that it grips the ceiling rail.
- STEP 3** Use the thumbscrew, on the underside of the fixture, to lock the fixture onto the ceiling rail.



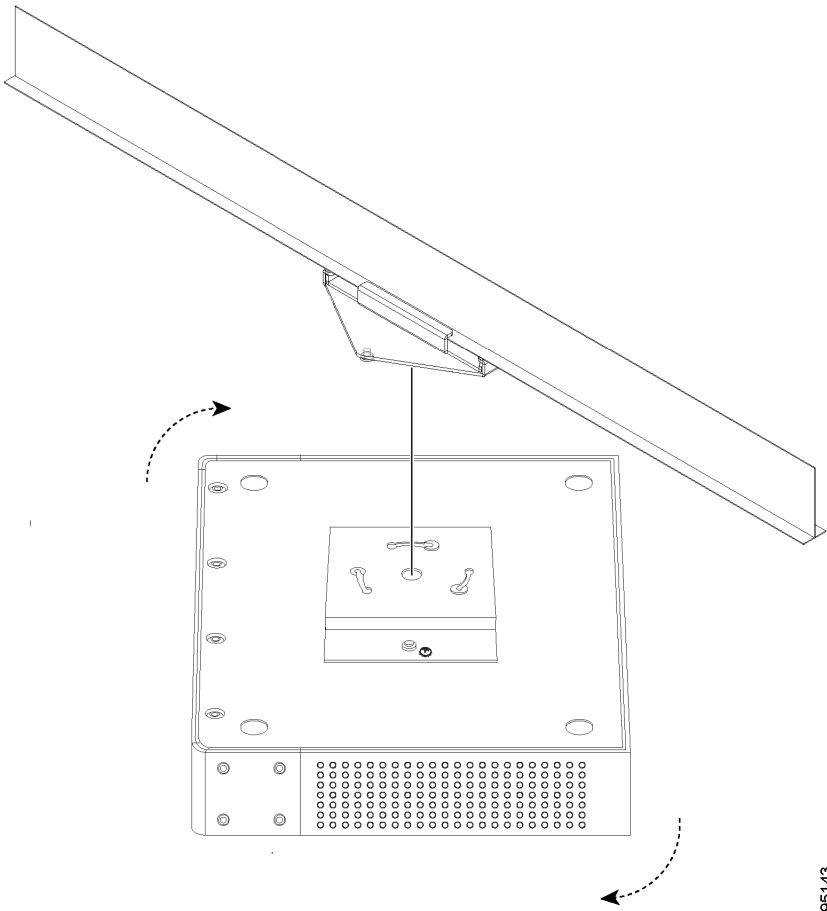
- STEP 4** Place the two lugs on the bracket into the holes in the bottom of the access point with the bracket oriented as shown in the next figure.



195142

- STEP 5** Slide the bracket toward the front of the access point, so that the small holes in the bracket align with the threaded holes in the bottom of the access point.
- STEP 6** Install the two M3 screws (provided) to secure the bracket in place.

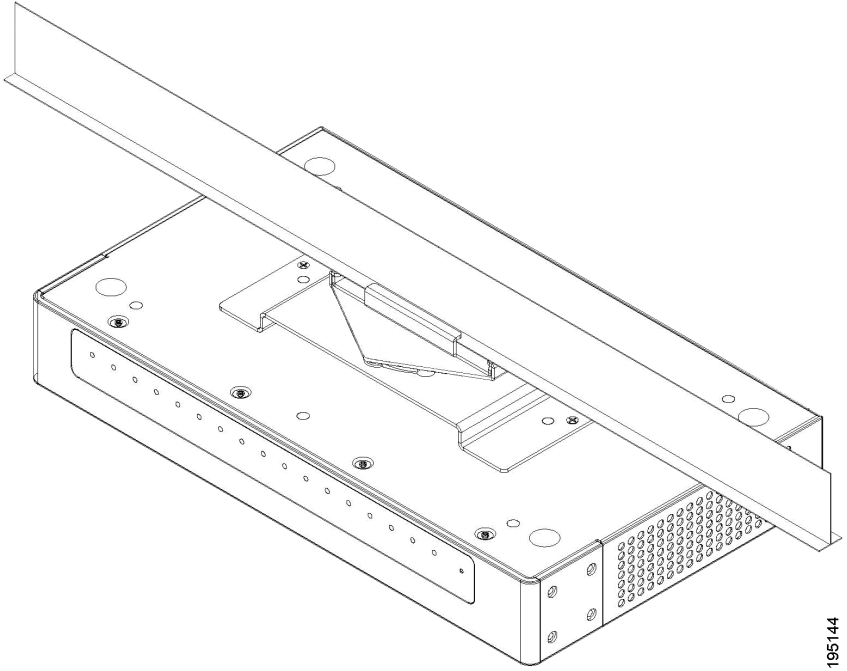
STEP 7 Rotate the access point so it is approximately 45 degrees clockwise from its final orientation.



195143

STEP 8 Raise the unit so that the three holes in the bracket fit over the three lugs in the fixture.

STEP 9 Rotate the access point back 45 degrees to secure it in place.



195144

Americas Headquarters

Cisco Systems, Inc.
170 West Tasman Drive
San Jose, CA 95134-1706
USA
<http://www.cisco.com>



Cisco, Cisco Systems, the Cisco logo, and the Cisco Systems logo are registered trademarks or trademarks of Cisco Systems, Inc. and/or its affiliates in the United States and certain other countries. All other trademarks mentioned in this document or Website are the property of their respective owners. The use of the word partner does not imply a partnership relationship between Cisco and any other company. (0705R)

© 2010 Cisco Systems, Inc. All rights reserved.