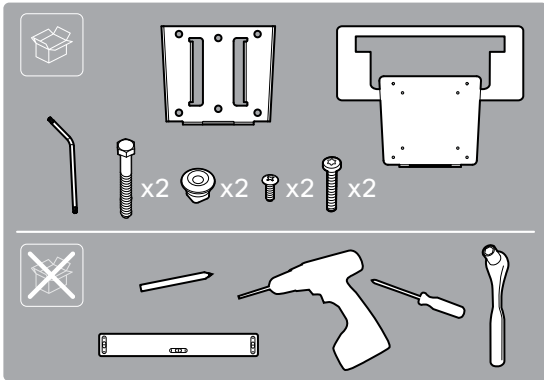




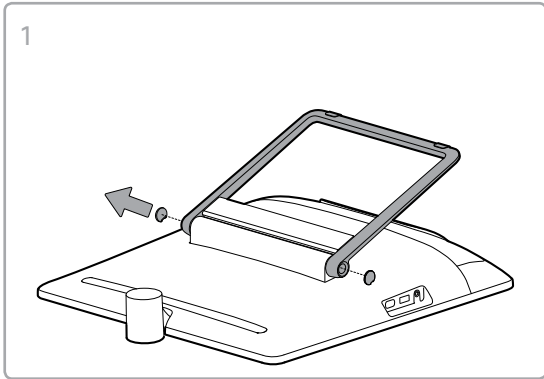
# Cisco DX70 VESA Mount Adapter and Wall Bracket



The VESA adapter is compatible with VESA 100 × 100 and 75 × 75 mounting patterns.

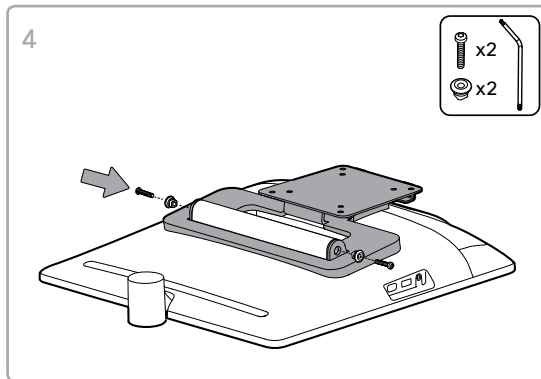
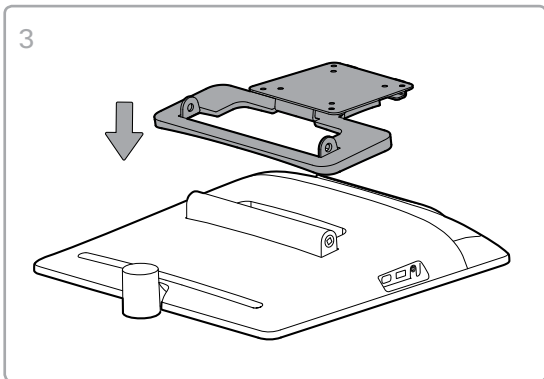
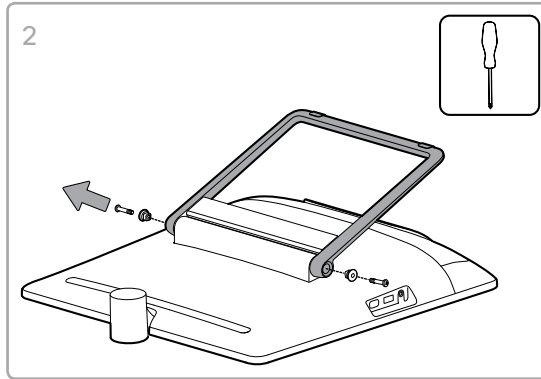
The VESA adapter can be used with third party VESA mounts. Follow steps 1. - 4. to mount the VESA adapter.

## VESA adapter



Place on clean flat surface.

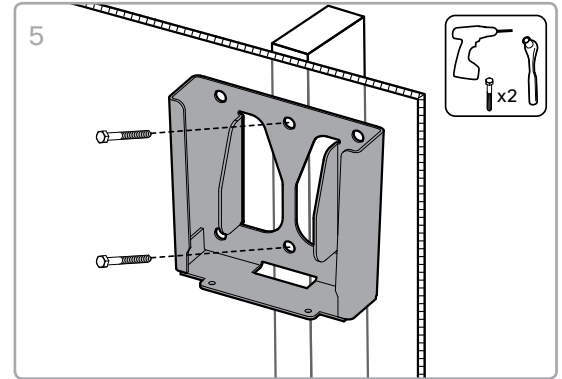
Make sure not to exert force on the camera that may damage it.



Take into consideration before you install:

- Due to the size and mass of this product it is important that the wall mounted system is safely installed according to these installation instructions.
- Make sure that the type of wall is capable of supporting the system and only use screws that are suitable for that type of wall. The lag screws that come with the product are ONLY suitable for installation into a single wood stud.
- The wall mounted system must be installed by qualified personnel, in accordance with state and local building regulations.
- Be careful with the camera while installing the adapter.

## Wall mount



Use the wall bracket and a level to mark the wall.

Choose screws that are suitable for the type of wall the bracket will be mounted on.

