



Nortel Meridian Opt11C Release 25 using T1 PRI-DMS100 to Cisco Unified CallManager 4.0

December 7, 2007 Revision 2

Table of Contents

Introduction	1
Network Topology.....	2
Limitations.....	2
System Components	3
Hardware Requirements	3
Software Requirements	3
Features	3
Features Supported.....	3
Features Not Supported	3
Configuration.....	3
Configuring the Nortel Meridian Opt11C PBX.....	3
Configuring the Cisco Unified CallManager.....	13
Acronyms	24

Introduction

This is an Application Note for Connectivity of Nortel Meridian Opt11C Release 25 PBX with Cisco Unified CallManager (CUCM) Release 4.0 using Cisco 6608-T1 PRI DMS100 as MGCP Gateway.

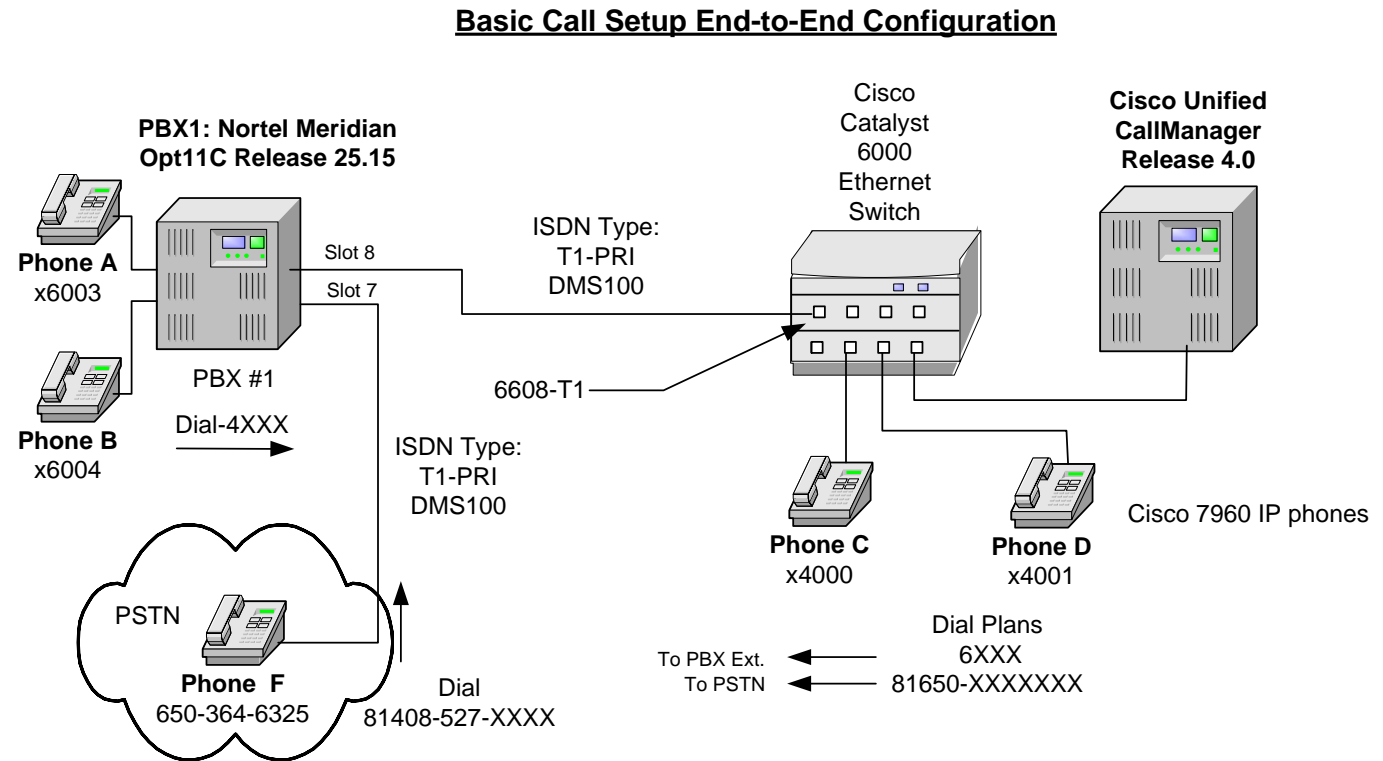
The Network Topology diagram shows the test set-up for end-to-end interoperability between the Cisco Unified CallManager connected to the PBX via 6608-T1 link as MGCP Gateway.

Connectivity is achieved by using the PRI DMS-100 protocol type on the MGCP gateway and S100 switch type on the Nortel PBX.

Cisco Unified CallManager does not send "Connected Number" information in the connect message back to PBX.

Network Topology

Figure 1. Network Topology



Limitations

User/Network Settings

The Nortel Meridian Opt11C supports “User” side only when switch type is set to DMS-100 but will support both “User” and “Network” side when switch type is set to S100. Therefore the **Nortel Meridian Opt11C should be configured with switch type of S100.**

Tandem Calls through PBX (trunk to trunk)

DMS100 or SL100 (S100) allows the TKTP (trunk type) to be TIE. And with TIE, Nortel allows trunk to trunk routing depending on the received digits by the Nortel PBX and with the proper programming of the dial plan. The Nortel actually wants to see the **9** (AC1) or **8** (AC2) plus the (11 or 7) digits for this to work. It will look up the received digits and compare it with the NARS and BARS table already set up and it will route the calls to the specified trunk accordingly. Of course calls into the PBX with TKTP=TIE can also recognize if the number being called is within that switch by programming it to recognize local DID numbers. With protocol type of NI2, on the other hand, the Nortel only allows TKTP (trunk type) = DID. Thus, the call has to terminate within the switch and cannot go out on another trunk.

Calling Name and Number feature.

When calling from Cisco 7960 IP phone to Nortel digital phone, Nortel phone display Calling Name and Number. Cisco 7960 IP phone however displays “Connected Name” but did not display “Connected Number”. It was verified that Nortel was not sending “Connected Number” information in the connect message back to CUCM.

When calling from Nortel digital phone to Cisco 7960 IP phone, IP phone displays Calling Name and Number. Nortel phone however displays “Connected Name” but did not display “Connected Number”. It displays the number being dialed instead. It was verified that CUCM was not sending “Connected Number” information in the connect message back to PBX.



System Components

Hardware Requirements

Cisco Hardware

Cisco Catalyst 6000 switch with 6608-T1 gateway

Cisco Unified CallManager 4.0

Nortel Meridian Opt11C PBX.

Hardware: NTAK09BA, 1.5 Mb DTI/PRI

Software Requirements

PBX Software Release 25.15

Cisco Unified CallManager 4.0

Cisco WS-X6608-T1 gateway Version 7.6(2)

Features

Features Supported

Calling Number

Calling Name

Connected Name

Features Not Supported

Connected Number

Configuration

Configuring the Nortel Meridian Opt11C PBX

Configure in the following sequence:

1. Configure Common Equipment.
2. Configure D-Channel.
3. Configure Route Data Block.
4. Configure Trunk.
5. Configure Coordinated Dialing Plan
6. Configure Dialing Plan for Tandem Call



Configuration Menus and Commands

Common equipment

ld 22

PT2000
MARP NOT ACTIVATED

REQ prt

TYPE cequ

CEQU

```
MPED 8D
SUPL 000 004 008 012
      016 032 036 040
      044 048 064 068
      072
DDCS 04
DTCS
XCT 000
CONF 029 030 031 062
      094 095

DLOP NUM DCH FRM LCMT YALM T1TE TRSH
PRI 007 24 ESF B8S FDL - 00
     008 24 ESF B8S FDL - 00
PRI2 05 06
APVL
DTI2 03
MISP 002
REQ ****
>
```

Configure D-Channel

>ld 22

PT2000
MARP NOT ACTIVATED

REQ prt

TYPE adan dch 18

```
ADAN      DCH 18
CTYP MSDL
CARD 08
PORT 1
DES t1_d100
USR PRI
DCHL 8
```



```
OTBF 32
PARM RS422 DTE
DRAT 64KC
CLOK EXT
IFC S100
SIDE NET
CNEG 1
RLS ID **
RCAP ND2
MBGA NO
OVLN NO
OVLN NO
T200 3
T203 10
N200 3
N201 260
K 7
REQ ****
>
```

Configure Route Data Block

```
>ld 21

PT1000

REQ: prt

TYPE: rdb

CUST 0

ROUT 108

TYPE RDB
CUST 00
DMOD
ROUT 108
DES T1_S100
TKTP TIE
NPID_TBL_NUM 0
ESN NO
RPA NO
CNVT NO
SAT NO
RCLS EXT
DTRK YES
BRIP NO
DGTP PRI
ISDN YES
    MODE PRA
    IFC S100
    SBN NO
    PNI 00000
    NCNA YES
    NCRD YES
    CHTY BCH
    CTYP UKWN
```



INAC NO
ISAR NO
CPUB OFF
DAPC NO
BCOT 0
DSEL VOD
PTYT PRI
AUTO NO
DNIS NO
DCDR NO
ICOG IAO
SRCH RRB
TRMB YES
STEP
ACOD 508
TCPP NO
TARG 01
BILN NO
OABS
INST
SIGO STD
MFC NO
ICIS YES
OGIS YES
TIMR ICF 1920
OGF 1920
EOD 13952
LCT 256
NRD 10112
DDL 70
ODT 4096
RGV 640
GTO 896
GTI 896
SFB 3
PRPS 800
NBS 2048
NBL 4096
IENB 5

PAGE 002

TFD 0
VSS 0
VGD 6
DTD NO
SCDT NO
2 DT NO
DRNG NO
CDR NO
NATL YES
SSL
CFWR NO
IDOP NO
VRAT NO
MUS NO
PANS YES
OHQ NO
OHQT 00



```
CBQ NO
AUTH NO
TTBL 0
PLEV 2
OPR NO
ALRM NO
ART 0
TIDY 508 108
SGRP 0
AACR NO
```

```
REQ: ****
>
```

Configure Trunk

```
>ld 20
```

```
PT0000
MARP NOT ACTIVATED
```

```
REQ: prt
```

```
TYPE: tnb
```

```
TN 8 1
```

```
DATE
```

```
PAGE
```

```
DES
```

```
TN 008 01
TYPE TIE
CDEN SD
CUST 0
TRK PRI
PDCA 1
PCML MU
NCOS 0
RTMB 108 1
B-CHANNEL SIGNALING
TGAR 0
AST NO
IAPG 0
CLS UNR DTN CND WTA LPR APN THFD XREP BARD HKD
P10 VNL
TKID
DATE 4 MAR 2004
```

```
NACT ****
>
```



Configure Coordinated Dialing Plan

>>LD 87

ESN000

MEM AVAIL: (U/P): 1260909 USED U P: 92556 39174 TOT: 1392639
DISK RECS AVAIL: 463
REQ PRT

CUST 0

FEAT CDP

TYPE DSC

DSC 4

DSC 4
FLEN 0
DSP LSC
RRPA NO
RLI 18
NPA
NXX

MEM AVAIL: (U/P): 1260909 USED U P: 92556 39174 TOT: 1392639
DISK RECS AVAIL: 463
REQ ****

>
OVL000
>LD 86

ESN000

MEM AVAIL: (U/P): 1260909 USED U P: 92556 39174 TOT: 1392639
DISK RECS AVAIL: 463
REQ PRT

CUST 0

FEAT RLB

RLI 18

RLI 18
ENTR 0
LTER NO
ROUT 108
TOD 0 ON 1 ON 2 ON 3 ON
4 ON 5 ON 6 ON 7 ON
VNS NO
CNV NO
EXP NO
FRL 0
DMI 0



FCI 0
FSNI 0
BNE NO
SBOC NRR
IDBB DEB
IOHQ NO
OHQ NO
CBQ NO

ISSET 0
NALT 5
MFRL 0
OVLL 0

MEM AVAIL: (U/P): 1260909 USED U P: 92556 39174 TOT: 1392639
DISK RECS AVAIL: 463
REQ
DTC105

ESN004

REQ ****

>

Configure Dialing Plan for Tandem Call

Dial Plan Configuration when PBX received AC2 (8) + NPA (1408) digit string

>ld 90

ESN000

MEM AVAIL: (U/P): 1261180 USED U P: 92290 39169 TOT: 1392639
DISK RECS AVAIL: 463
REQ prt

CUST 0

FEAT net

TRAN ac2

TYPE npa

NPA 1408

NPA 1408
RLI 8
SDRR NONE
ITEI NONE

MEM AVAIL: (U/P): 1261180 USED U P: 92290 39169 TOT: 1392639
DISK RECS AVAIL: 463
REQ ****



>ld 86

ESN000

MEM AVAIL: (U/P): 1261180 USED U P: 92290 39169 TOT: 1392639

DISK RECS AVAIL: 463

REQ prt

CUST 0

FEAT rlb

RLI 8

RLI 8

ENTR 0

LTER NO

ROUT 108

TOD 0 ON 1 ON 2 ON 3 ON

4 ON 5 ON 6 ON 7 ON

VNS NO

CNV NO

EXP NO

FRL 0

DMI 8

FCI 0

FSNI 0

BNE NO

SBOC NRR

IDBB DBD

IOHQ NO

OHQ NO

CBQ NO

ISET 0

NALT 5

MFRL 0

OVLL 0

MEM AVAIL: (U/P): 1261180 USED U P: 92290 39169 TOT: 1392639

DISK RECS AVAIL: 463

REQ prt

CUST 0

FEAT dgt

DMI 8

DMI 8

DEL 7

CTYP UKWN

REQ ****

>



Dial Plan Configuration when PBX received AC2 (8) + NPA (1650) digit string

>ld 90

ESN000

MEM AVAIL: (U/P): 1261180 USED U P: 92290 39169 TOT: 1392639
DISK RECS AVAIL: 463
REQ prt

CUST 0

FEAT net

TRAN ac2

TYPE npa

NPA 1650

NPA 1650
RLI 7
SDRR NONE
ITEI NONE

MEM AVAIL: (U/P): 1261180 USED U P: 92290 39169 TOT: 1392639
DISK RECS AVAIL: 463
REQ ****

>
OVL000
>ld 86

ESN000

MEM AVAIL: (U/P): 1261180 USED U P: 92290 39169 TOT: 1392639
DISK RECS AVAIL: 463
REQ prt

CUST 0

FEAT rlb

RLI 7

RLI 7
ENTR 0
LTER NO
ROUT 107
TOD 0 ON 1 ON 2 ON 3 ON
4 ON 5 ON 6 ON 7 ON
VNS NO
CNV NO
EXP NO
FRL 0
DMI 7



FCI 0
FSNI 0
BNE NO
SBOC NRR
IDBB DEB
IOHQ NO
OHQ NO
CBQ NO

ISSET 0
NALT 5
MFRL 0
OVLL 0

MEM AVAIL: (U/P): 1261180 USED U P: 92290 39169 TOT: 1392639
DISK RECS AVAIL: 463
REQ prt

CUST 0

FEAT dgt

DMI 7
DMI 7
DEL 1
CTYP NCHG

MEM AVAIL: (U/P): 1261180 USED U P: 92290 39169 TOT: 1392639
DISK RECS AVAIL: 463
REQ ****



Configuring the Cisco Unified CallManager

6608-T1 Gateway Configuration

System Route Plan Service Feature Device User Application Help

Cisco CallManager Administration
For Cisco IP Telephony Solutions

CISCO SYSTEMS

Gateway Configuration

[Back to Find/List Gateways](#)
[Dependency Records](#)

Product : Cisco Catalyst 6000 T1 VoIP Gateway
Gateway : S0/DS1-0@SDA0001C9D93A98
Device Protocol: Digital Access PRI
Registration: Registered with Cisco CallManager 172.20.32.254
IP Address: [172.20.32.112](#)

Status: Update completed.

Device Information

MAC Address*	<input type="text" value="0001C9D93A98"/>
Description	<input type="text" value="SDA0001C9D93A98"/>
Device Pool*	<input type="text" value="Default"/>
Network Locale	<input type="text" value="United States"/>
Media Resource Group List	<input type="text" value="< None >"/>
Location	<input type="text" value="< None >"/>
AAR Group	<input type="text" value="< None >"/>
Load Information	<input type="text"/>


Multilevel Precedence and Preemption (MLPP) Information

MLPP Domain (e.g., "0000FF")	<input type="text"/>
MLPP Indication	<input type="text" value="Off"/>
MLPP Preemption	<input type="text" value="Disabled"/>

Interface Information

PRI Protocol Type*	<input type="text" value="PRI DMS-100"/>
Protocol Side*	<input type="text" value="User"/>
Channel Selection Order*	<input type="text" value="Top Down"/>
Channel IE Type*	<input type="text" value="Timeslot Number"/>

PCM Type*	<input type="text" value="μ-law"/>
Delay for first restart (1/8 sec ticks)	<input type="text" value="32"/>
Delay between restarts (1/8 sec ticks)	<input type="text" value="4"/>
<input checked="" type="checkbox"/> Inhibit restarts at PRI initialization <input checked="" type="checkbox"/> Enable status poll	
Call Routing Information	
Inbound Calls	
Significant Digits*	<input type="text" value="All"/>
Calling Search Space	<input type="text" value="Incoming Trunk"/>
AAR Calling Search Space	<input type="text" value="< None >"/>
Prefix DN	<input type="text"/>
Outbound Calls	
Calling Line ID Presentation*	<input type="text" value="Allowed"/>
Calling Party Selection*	<input type="text" value="Originator"/>
Called party IE number type unknown*	<input type="text" value="National"/>
Calling party IE number type unknown*	<input type="text" value="National"/>
Called Numbering Plan*	<input type="text" value="ISDN"/>
Calling Numbering Plan*	<input type="text" value="ISDN"/>
Number of digits to strip*	<input type="text" value="0"/>
Caller ID DN	<input type="text"/>
SMDI Base Port*	<input type="text" value="0"/>
PRI Protocol Type Specific Information	
<input checked="" type="checkbox"/> Display IE Delivery <input checked="" type="checkbox"/> Redirecting Number IE Delivery - Outbound <input type="checkbox"/> Redirecting Number IE Delivery - Inbound <input checked="" type="checkbox"/> Send Extra Leading Character In DisplayIE*** <input type="checkbox"/> Setup non-ISDN Progress Indicator IE Enable****	

<input checked="" type="checkbox"/>	MCDN Channel Number Extension Bit Set to Zero**
<input checked="" type="checkbox"/>	Send Calling Name In Facility IE
<input type="checkbox"/>	Interface Identifier Present**
Interface Identifier Value**	<input type="text" value="0"/>
Connected Line ID Presentation (QSIG Inbound Call)*	<input type="text" value="Default"/>
Connected PBX Model	<input type="text" value="None"/>
Product Specific Configuration 	
Clock Reference*	<input type="text" value="Network"/>
TX-Level CSU*	<input type="text" value="0dB"/>
FDL Channel*	<input type="text" value="ATT 54016"/>
Framing*	<input type="text" value="ESF"/>
Audio Signal Adjustment into IP Network*	<input type="text" value="NoDbPadding"/>
Audio Signal Adjustment from IP Network*	<input type="text" value="NoDbPadding"/>
Yellow Alarm*	<input type="text" value="Bit2"/>
Zero Suppression*	<input type="text" value="B8ZS"/>
Digit On Duration(50-500ms)*	<input type="text" value="100"/>
Interdigit Duration(50-500msec)*	<input type="text" value="100"/>
SNMP Community String	<input type="text" value="public"/>
Disable SNMP Set operations*	<input type="checkbox"/>
Debug Port Enable*	<input checked="" type="checkbox"/>
Hold Tone Silence Duration*	<input type="text" value="0"/>
Port Used for Voice Calls*	<input checked="" type="checkbox"/>
Port Used for Modem Calls*	<input checked="" type="checkbox"/>
Port Used for Fax Calls*	<input checked="" type="checkbox"/>
Fax and Modem Parameters	
Fax Relay Enable*	<input checked="" type="checkbox"/>
Fax Error Correction Mode Override*	<input checked="" type="checkbox"/>
Maximum Fax Rate*	<input type="text" value="14400bps"/>

Maximum Fax Rate*	<input type="text" value="14400bps"/>
Fax Payload Size*	<input type="text" value="20"/>
Non Standard Facilities Country Code*	<input type="text" value="65535"/>
Non Standard Facilities Vendor Code*	<input type="text" value="65535"/>
Fax/Modem Packet Redundancy*	<input type="checkbox"/>
NSE Type*	<input type="text" value="Non-IOS Gateways"/>

Playout Delay Parameters

Initial Playout Delay*	<input type="text" value="40"/>
Minimum Playout Delay*	<input type="text" value="20"/>
Maximum Playout Delay*	<input type="text" value="150"/>

Echo Canceller Configuration

Echo TailLength (ms)*	<input type="text" value="32 ms"/>
Minimum ERL (db)*	<input type="text" value="6 db"/>

* indicates required item
** applicable to DMS-100 protocol only
*** applicable to DMS-100 protocol and DMS-250 protocol only
**** may be required to force ringback from some PBXs

[Back to Find/List Gateways](#)



Enbloc Route Pattern Configuration

Route Pattern/Hunt Pilot: 6XXX

Status: Ready
Note: Any update to this Route Pattern or Hunt Pilot automatically resets the associated gateway or Route/Hunt List

[Copy](#) [Update](#) [Delete](#)

Pattern Definition

Route Pattern/Hunt Pilot*

Partition

Description

Numbering Plan*

Route Filter

MLPP Precedence

Gateway or Route/Hunt List* (Edit)

Route Option

Route this pattern

Block this pattern

Provide Outside Dial Tone Allow Overlap Sending Urgent Priority

Calling Party Transformations

Use Calling Party's External Phone Number Mask

Calling Party Transform Mask

Prefix Digits (Outgoing Calls)

Calling Line ID Presentation

Calling Name Presentation

Connected Party Transformations

Connected Line ID Presentation

Connected Name Presentation

Called Party Transformations

Discard Digits

Called Party Transform Mask

Prefix Digits (Outgoing Calls)

ISDN Network-Specific Facilities Information Element

Carrier Identification Code

Network Service Protocol

Network Service	Service Parameter Name	Service Parameter Value
<input type="text" value="Private"/>	<input type="text" value="< Not Exist >"/>	<input type="text"/>



Translation Pattern for Incoming Calls

Translation Pattern Configuration

[Add a New Translation Pattern](#)
[Back to Find/List Translation Patterns](#)

Translation Pattern: 4XXX
Status: Ready

Pattern Definition

Translation Pattern	<input type="text" value="4XXX"/>
Partition	<input type="text" value="Incoming Trunk"/>
Description	<input type="text"/>
Numbering Plan*	<input type="text" value="North American Numbering Plan"/>
Route Filter	<input type="text" value="< None >"/>
Calling Search Space	<input type="text" value="Phones"/>
MLPP Precedence	<input type="text" value="Default"/>
Route Option	<input checked="" type="radio"/> Route this pattern <input type="radio"/> Block this pattern <input type="text" value="— Not Selected —"/>
<input checked="" type="checkbox"/> Provide Outside Dial Tone	<input checked="" type="checkbox"/> Urgent Priority

Calling Party Transformations

Use Calling Party's External Phone Number Mask

Calling Party Transform Mask	<input type="text"/>
Prefix Digits (Outgoing Calls)	<input type="text"/>
Calling Line ID Presentation	<input type="text" value="Default"/>
Calling Name Presentation	<input type="text" value="Default"/>

Connected Party Transformations

Connected Line ID Presentation	<input type="text" value="Default"/>
Connected Name Presentation	<input type="text" value="Default"/>

Called Party Transformations

Discard Digits	<input type="text" value="< None >"/>
Called Party Transform Mask	<input type="text"/>
Prefix Digits (Outgoing Calls)	<input type="text"/>

* indicates required item.



PSTN Route Pattern Configuration

Route Pattern/Hunt Pilot: 81650XXXXXX

Status: Ready
Note: Any update to this Route Pattern or Hunt Pilot automatically resets the associated gateway or Route/Hunt List

Pattern Definition

Route Pattern/Hunt Pilot*

Partition

Description

Numbering Plan*

Route Filter

MLPP Precedence

Gateway or Route/Hunt List* [\(Edit\)](#)

Route Option

Route this pattern

Block this pattern

Provide Outside Dial Tone Allow Overlap Sending Urgent Priority

Calling Party Transformations

Use Calling Party's External Phone Number Mask

Calling Party Transform Mask

Prefix Digits (Outgoing Calls)

Calling Line ID Presentation

Calling Name Presentation

Connected Party Transformations

Connected Line ID Presentation

Connected Name Presentation

Called Party Transformations

Discard Digits

Called Party Transform Mask

Prefix Digits (Outgoing Calls)

ISDN Network-Specific Facilities Information Element

Carrier Identification Code

Network Service Protocol

Network Service	Service Parameter Name	Service Parameter Value
<input type="text" value="— Not Selected —"/>	<input type="text" value="< Not Exist >"/>	<input type="text"/>



7960 IP phone Configuration

Phone Configuration

[Add a new phone](#)
[Add/Update Speed Dials](#)
[Subscribe/Unsubscribe Services](#)
[Dependency Records](#)
[Back to Find/List Phones](#)

Directory Numbers

Base Phone

- Line 1 - 4000 in Phones
- Line 2 - Add new DN

Phone: SEP000B5FD22FE8 (Auto 4000)
Registration: Registered with Cisco CallManager 172.20.32.254
IP Address: [172.20.32.102](#)
Status: Ready

Phone Configuration (Model = Cisco 7960)

Device Information

MAC Address*	<input type="text" value="000B5FD22FE8"/>
Description	<input type="text" value="Auto 4000"/>
Owner User ID	<input type="text"/> (Select User ID)
Device Pool*	<input type="text" value="Default"/> (View details)
Calling Search Space	<input type="text" value="< None >"/>
AAR Calling Search Space	<input type="text" value="< None >"/>
Media Resource Group List	<input type="text" value="< None >"/>
User Hold Audio Source	<input type="text" value="< None >"/>
Network Hold Audio Source	<input type="text" value="< None >"/>
Location	<input type="text" value="< None >"/>
User Locale	<input type="text" value="< None >"/>
Network Locale	<input type="text" value="< None >"/>
Device Security Mode	<input type="text" value="Use System Default"/>
Built In Bridge	<input type="text" value="Default"/>
Privacy	<input type="text" value="Default"/>

Phone Button Template Information


Phone Button Template*	<input type="text" value="Standard 7960"/> (View button list)
------------------------	---

Softkey Template Information

Softkey Template	<input type="text" value="< None >"/>
------------------	---

Expansion Module Information

Module 1	<input type="text" value="< None >"/>
Module 2	<input type="text" value="< None >"/>

Firmware Load Information (leave blank to use default)	
Phone Load Name	<input type="text"/>
Module 1 Load Name	<input type="text"/> (Module 1 selection required)
Module 2 Load Name	<input type="text"/> (Module 2 selection required)
Cisco IP Phone - External Data Locations (leave blank to use default)	
Information	<input type="text"/>
Directory	<input type="text"/>
Messages	<input type="text"/>
Services	<input type="text"/>
Authentication Server	<input type="text"/>
Proxy Server	<input type="text"/>
Idle	<input type="text"/>
Idle Timer (seconds)	<input type="text"/>
Extension Mobility (Device Profile) Information	
<input type="checkbox"/> Enable Extension Mobility Feature	
Log Out Profile	<input type="text" value="-- Not Selected --"/>
Log In User ID	< None >
Log In Time	< None >
Log Out Time	< None >
Multilevel Precedence and Preemption (MLPP) Information	
MLPP Domain	<input type="text"/> (e.g., "0000FF")
MLPP Indication	<input type="text" value="Default"/>
MLPP Preemption	<input type="text" value="Default"/>
Product Specific Configuration 	
Disable Speakerphone	<input type="checkbox"/>
Disable Speakerphone and Headset	<input type="checkbox"/>
Forwarding Delay*	<input type="text" value="Disabled"/>
PC Port*	<input type="text" value="Enabled"/>
Settings Access*	<input type="text" value="Enabled"/>
Gratuitous ARP*	<input type="text" value="Enabled"/>
PC Voice VLAN Access*	<input type="text" value="Enabled"/>



Directory Number Configuration

[Configure Device \(SEP000B5FD22FE8\)](#)
[Dependency Records](#)

Associated With

SEP000B5FD22FE8
7960 (Line 1)

Directory Number: 4000 (Phones)

Status: Ready
Note: Any update to this Directory Number automatically resets the associated devices

Directory Number

Directory Number*
Partition

Directory Number Settings

Voice Mail Profile
(Choose <None> to use default)
Calling Search Space
AAR Group
User Hold Audio Source
Network Hold Audio Source
Auto Answer

Call Forward and Pickup Settings

	Voice Mail Destination	Calling Search Space
Forward All <input type="checkbox"/>	<input type="text"/>	<input type="text" value=" < None >"/>
Forward Busy <input type="checkbox"/>	<input type="text"/>	<input type="text" value=" < None >"/>
Forward No Answer <input type="checkbox"/>	<input type="text"/>	<input type="text" value=" < None >"/>
No Answer Ring Duration <input type="text"/>	(seconds)	
Call Pickup Group <input type="text"/>	<input type="text" value=" < None >"/>	

MLPP Alternate Party Settings

Target (Destination)
Calling Search Space
No Answer Ring Duration (seconds)

Line Settings for this Device

Display (Internal Caller ID)
Line Text Label
External Phone Number Mask



Message Waiting Lamp Policy	<input type="text" value="Use System Policy"/>
Ring Setting (Phone Idle)	<input type="text" value="Use System Default"/>
Ring Setting (Phone Active)**	<input type="text" value="Use System Default"/>
Multiple Call / Call Waiting Settings	
Maximum Number of Calls*	<input type="text" value="4"/> (1 - 200)
Busy Trigger*	<input type="text" value="2"/> (<= Max. Calls)
Forwarded Call Information Display	
<input checked="" type="checkbox"/> Caller Name	<input checked="" type="checkbox"/> Caller Number
<input checked="" type="checkbox"/> Redirected Number	<input checked="" type="checkbox"/> Dialed Number
<p>* indicates required item; changes to Line or Directory Number settings require restart. ** Ring Setting (Phone Active) applies to this line when any line on the phone has a call in progress.</p>	
<p>Note: If you are using a language other than English for Display (Internal Caller ID) or Line Text Label text, make sure the correct character set (shown below) is selected. Text displays incorrectly if the wrong characterset is selected. (English characters are included in all character sets.)</p>	
Character Set	<input type="text" value="Western European (Latin 1)"/>



Acronyms

Acronym	Definitions
CUCM	Cisco Unified CallManager
PSTN	Public Switched Telephone Network



Important Information

THE SPECIFICATIONS AND INFORMATION REGARDING THE PRODUCTS IN THIS MANUAL ARE SUBJECT TO CHANGE WITHOUT NOTICE. ALL STATEMENTS, INFORMATION, AND RECOMMENDATIONS IN THIS MANUAL ARE BELIEVED TO BE ACCURATE BUT ARE PRESENTED WITHOUT WARRANTY OF ANY KIND, EXPRESS OR IMPLIED. USERS MUST TAKE FULL RESPONSIBILITY FOR THEIR APPLICATION OF ANY PRODUCTS.

IN NO EVENT SHALL CISCO OR ITS SUPPLIERS BE LIABLE FOR ANY INDIRECT, SPECIAL, CONSEQUENTIAL, OR INCIDENTAL DAMAGES, INCLUDING, WITHOUT LIMITATION, LOST PROFITS OR LOSS OR DAMAGE TO DATA ARISING OUT OF THE USE OR INABILITY TO USE THIS MANUAL, EVEN IF CISCO OR ITS SUPPLIERS HAVE BEEN ADVISED OF THE POSSIBILITY OF SUCH DAMAGES.



Corporate Headquarters

Cisco Systems, Inc.
170 West Tasman Drive
San Jose, CA 95134-1706
USA
www.cisco.com
Tel: 408 526-4000
800 553-NETS (6387)
Fax: 408 526-4100

European Headquarters

Cisco Systems International
BV
Haarlerbergpark
Haarlerbergweg 13-19
1101 CH Amsterdam
The Netherlands
www-europe.cisco.com
Tel: 31 0 20 357 1000
Fax: 31 0 20 357 1100

Americas Headquarters

Cisco Systems, Inc.
170 West Tasman Drive
San Jose, CA 95134-1706
USA
www.cisco.com
Tel: 408 526-7660
Fax: 408 527-0883

Asia Pacific Headquarters

Cisco Systems, Inc.
Capital Tower
168 Robinson Road
#22-01 to #29-01
Singapore 068912
www.cisco.com
Tel: +65 317 7777
Fax: +65 317 7799

Cisco Systems has more than 200 offices in the following countries and regions. Addresses, phone numbers, and fax numbers are listed on the Cisco Web site at www.cisco.com/go/offices.

Argentina • Australia • Austria • Belgium • Brazil • Bulgaria • Canada • Chile • China PRC • Colombia • Costa Rica • Croatia • Czech Republic • Denmark • Dubai, UAE • Finland • France • Germany • Greece • Hong Kong SAR • Hungary • India • Indonesia • Ireland • Israel • Italy • Japan • Korea • Luxembourg • Malaysia • Mexico • The Netherlands • New Zealand • Norway • Peru • Philippines • Poland • Portugal • Puerto Rico • Romania • Russia • Saudi Arabia • Scotland • Singapore • Slovakia • Slovenia • South Africa • Spain • Sweden • Switzerland • Taiwan • Thailand • Turkey • Ukraine • United Kingdom • United States • Venezuela • Vietnam • Zimbabwe

© 2007 Cisco Systems, Inc. All rights reserved.

CCVP, the Cisco logo, and Welcome to the Human Network are trademarks of Cisco Systems, Inc.; Changing the Way We Work, Live, Play, and Learn is a service mark of Cisco Systems, Inc.; and Access Registrar, Aironet, Catalyst, CCDA, CCDP, CCIE, CCIP, CCNA, CCNP, CCSP, Cisco, the Cisco Certified Internetwork Expert logo, Cisco IOS, Cisco Press, Cisco Systems, Cisco Systems Capital, the Cisco Systems logo, Cisco Unity, Enterprise/Solver, EtherChannel, EtherFast, EtherSwitch, Fast Step, Follow Me Browsing, FormShare, GigaDrive, HomeLink, Internet Quotient, IOS, iPhone, IP/TV, iQ Expertise, the iQ logo, iQ Net Readiness Scorecard, iQuick Study, LightStream, Linksys, MeetingPlace, MGX, Networkers, Networking Academy, Network Registrar, PIX, ProConnect, ScriptShare, SMARTnet, StackWise, The Fastest Way to Increase Your Internet Quotient, and TransPath are registered trademarks of Cisco Systems, Inc. and/or its affiliates in the United States and certain other countries.

All other trademarks mentioned in this document or Website are the property of their respective owners. The use of the word partner does not imply a partnership relationship between Cisco and any other company. (0711R)

Printed in the USA