



Alcatel 4400 Release 4.2 using E1 PRI EURO to Cisco Unified CallManager 4.0

November 26, 2007 Revision 2

Table of Contents

Introduction	1
Network Topology.....	2
Limitations.....	2
System Components	2
Hardware Requirements	2
Software Requirements	3
Features	3
Features Supported.....	3
Features Not Supported	3
Configuration.....	3
Configuring the Alcatel 4400 PBX.....	3
Configuring the Cisco Unified CallManager.....	9
Acronyms	20

Introduction

This is an Application Note for Connectivity of Alcatel 4400 Release 4.2 PBX with Cisco Unified CallManager (CUCM) Release 4.0 using Cisco 6608-E1 PRI as MGCP Gateway.

The Network Topology diagram shows the test set-up for end-to-end interoperability with the Cisco Unified CallManager connected to the PBX via 6608-E1 PRI link as MGCP Gateway.

Connectivity is achieved by using the PRI EURO protocol type on the MGCP gateway and ISDN ALL COUNTRIES (ETSI) protocol type on the Alcatel 4400 PBX.

Basic Calls worked fine in both directions with Calling Number features support.

Alcatel 4400 Release 4.2 PBX does not support Calling Name delivery and presentation features for ISDN PRI links.

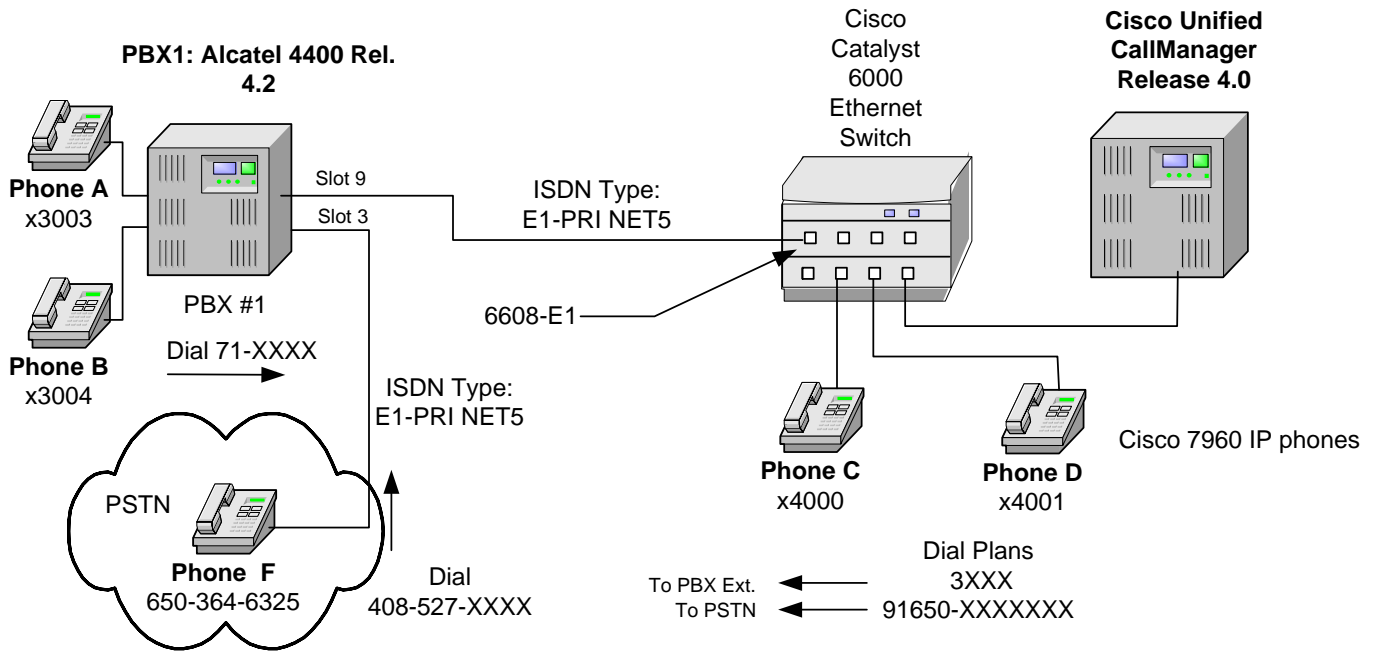
CUCM 4.0 does not support sending Connected Number information for PRI links.



Network Topology

Figure 1. Network Topology

Basic Call Setup End-to-End Configuration



Limitations

Calling Name and Number feature.

Calling Name delivery and presentation features are not supported by the Alcatel 4400 PBX for ISDN PRI links.

CUCM 4.0 release does not support sending Connected Number information in the connect message.

When calling from Alcatel digital phone to Cisco 7960 IP phone, the Cisco IP phone displays Calling Number when the call is answered. Alcatel phone however displays trunk name only, No connected Name or Number when the call is answered.

When calling from Cisco 7960 IP phone to Alcatel digital phone, Calling/Called Number is displayed on both phones after the call is answered as expected.

System Components

Hardware Requirements

Cisco Hardware

Cisco Cat6K switch with 6608-E1 Gateway

Cisco Unified CallManager 4.0

Alcatel 4400 PBX.

Hardware: BPA2, 3BA23074ABAC03- E1 BRI/PRI



Software Requirements

PBX Software version 4.2

Cisco Unified CallManager 4.0

Cisco WS-X6608-E1 gateway Version 7.6(2)

Features

Features Supported

Calling Number Identification Presentation

Features Not Supported

Connected Number Identification delivery is not supported by CUCM 4.0

Calling Name delivery and presentation features are not supported by the Alcatel 4400 PBX

Configuration

Configuring the Alcatel 4400 PBX

Configure in the following sequence:

1. Configure Board
2. Configure Digital Access Options
3. Configure Trunk Group
4. Configure Trunk Detail



Configuration Menus and Commands

Configure Board

Interface type must be set to **BPRA2**

\compidea\Shelf::0\Board::9

Board	9
Board Address	9
Interface Type	BPRA2
Administrative status	Enabled
Usage State	Busy
Operational State	Enabled
Main/Standby State	Main (Master)
Number Of Sets Being Connect.	4
Remote Shelf Address	255
Remote Board Address	255
Synchronisation Priority	255
IO2 With SPB	NO
AUXU Parameters 1	None
AUXU Parameters 2	None
AUXU Parameters 3	None
AUXU Parameters 4	None
CRC4	YES
Country Protocol Type	Default
Time Slots\0	0
Time Slots\1	1
Time Slots\2	1
Time Slots\3	1
Time Slots\4	1
Time Slots\5	1
Time Slots\6	1
Time Slots\7	1
Time Slots\8	1
Time Slots\9	1
Time Slots\10	1
Time Slots\11	1
Time Slots\12	1
Time Slots\13	1
Time Slots\14	1
Time Slots\15	1
Time Slots\16	0
Time Slots\17	1
Time Slots\18	1
Time Slots\19	1
Time Slots\20	1
Time Slots\21	1
Time Slots\22	1
Time Slots\23	1
Time Slots\24	1
Time Slots\25	1
Time Slots\26	1
Time Slots\27	1
Time Slots\28	1
Time Slots\29	1
Time Slots\30	1



Time Slots\31	1
Voice-->Data TS	YES
SU shelf Type	2 PCM Shelf
DECT Location area number	255
Send Init Dynamic Msg	False
Param By Default	True
Clock Mode	Internal
CPU with Optimized B Channel Access	NO
Board with DTM	False
Incidents Teleservice	YES
VG Recording Max.Duration	0
DASS2 Simulate Network	NO
DPNSS Layer 2 Address	A
ISDN Board Layer 2 Parameters\Retransmission Timer	100
ISDN Board Layer 2 Parameters\TEI Identity Check Timer	100
ISDN Board Layer 2 Parameters\Polling Timer	1000
ISDN Board Layer 2 Parameters\Nb_Of_Retransmission	3
ISDN Board Layer 2 Parameters\Max Frame Size (Bytes)	260
ISDN Board Layer 2 Parameters\Window Size In Frames SAPI S T0	1
ISDN Board Layer 2 Parameters\Window Size In Frames SAPI P T0	3
ISDN Board Layer 2 Parameters\Window Size In Frames SAPI S T2	7
ISDN Board Layer 2 Parameters\Window Size In Frames SAPI P T2	7
Number of configured ports	4
Associated CPU	255
Number of configured E1 ports	8
Synchronisation mode	Adaptative
In Band Signalling	NO
Passive board	NO
SS7 signalling	NO
PRA7 TS signalling	16
ISDN T2 on PRA7 board	NO
Use Data Compression	NO
Mutual Aid	YES
LIO Daughter Board	COMP6
INTIP Daughter Board	GIP6x1
Tone on Board	R2 Tone
Number of Used Compressors	0
GNISC in Rack	255
GNISC in position	255
Usage State	Slave
Atm address	
TS used on PCM 0	0
TS used on PCM 1	0
TS used on PCM 2	0
TS used on PCM 3	0
TS used on PCM 4	0
TS used on PCM 5	0
TS used on PCM 6	0
TS used on PCM 7	0
Daughter board equipped	NO
Nb of Compressors for Gateway	0
Nb of Compressors for IP Devices	0
Mode	Gateway IP
Voice Guide Language Index	1
CLIP Signalization	No CLIP
IVR Protocol	No IVR Protocol
4615 Present	NO
LIOE coupler 1 address	255
LIOE coupler 2 address	255
Associated BBC2 coupler	255



Associated BBC2 access	255
Board IP Version	IP Default
Use of volume in system	YES
Local volume (dB)	0
Network recording use	False
Remote node number	255

Configure Digital Access Options

Network mode must be set to **Yes** for (Master/Network) or **No-** (Slave/User).
Access Type must be set to **T2**.

\compidea\Shelf::0\Board::9\Digital Access::0

Digital Access	
T0/T2 Access No.	0
Access Type	T2
Used Access	YES
Synchronisation Priority	255
Network Mode	YES
Max Nb Of Used B Channels	30
Max_Nb_Of_Compressed_B_Channels	0
Nb Of Signalization TS	1
TieLine Mode	YES
With Alarm	NO
Access Type S0	NO
Reserved1	NO
Reserved2	NO
Network Date Time Update	NO
CRC4	YES
Port Class	NOT SIG
Multiframe Type	SF
Line Type	Short Haul 0 to 35 meters
Pulses Encoding	AMI
Retransmission Timer	100
TEI Identity Check Timer	100
Polling Timer	1000
Nb_Of_Retransmission	3
Max Frame Size (Bytes)	260
Window Size In Frames SAPI S	7
Window Size In SAPI P	7
B Channel Rate	64K

Configure Trunk Group

Q931 signal variant is used to set the protocol type to **ISDN PRI**

\compidea\Trunk Groups::4

Trunk Groups	
Trunk Group Id	4
Trunk Group Type	T2
Trunk Group Name	PRI-ISDN
Node number	1
Transcom Trunk Group	False
Auto.reserv.by Attendant	False
Overflow trunk group No.	-1
Tone on seizure	True



Private Trunk Group	False
Paging Trunk Group	False
Paging Table Id	-1
Paging Signalization	NDDI
Security Patrol	False
Q931 signal variant	ISDN all countries
Operator Id	ANSI
SS7 signal variant	No variant
Number Compatible With	-1
Prefix Sending	False
Number Of Digits To Send	4
Channel selection type	Quantum
Remote Network	15
Shared Trunk Group	False
T.line Calling last dig.length	0
auto.DTMF dialing on outgoing call	NO
T2 Specificity	None
Public Network Category	0
DDI transcoding	False
Special Services	Nothing
Can support UUS in SETUP	True
Register Signalling	Decadic/MF Q23
Implicit Priority\Activation mode	0
Implicit Priority\Priority Level	0
Preempter	NO
Incoming calls Restriction categ.	10
Outgoing calls Restriction categ.	10
mpt1343 callee number	NO

Configure Trunk Detail

\compidea\Trunk Groups::4\Trunk Group::1

Trunk Group	
Instance (reserved)	1
Trunk Group Type	T2
Public Network Ref.	
Dialling end to end	NO
DTMF end to end signal.	NO
Paying Incoming Calls	NO
TS Permanently assigned	NO
Min. Nb.of digits on seize	0
Signal.with access code	NO
Trunk group used in DISA	NO
DISA Secret Code	
VG for non-existent No.	YES
Routing To Executive	NO
Trunk Category Id	16
Nb of digits unused (ISDN)	0
B Channel Choice	YES
Channels Reserved By Attend.	0
Dissuasion For ACD	NO
DTO joining	NO
Enquiry Call On B Channel	NO
DDI Mode	NO
Automated Attendant	NO
Calling party Rights category	0
Entity Number	0



TS Overflow	YES
Number To Be Added	
Supervised by Routing	NO
Access Cluster Id	-1
VPN Cost Limit for Incom.Calls	0
Immediat Trk Listening For VPN Call	YES
VPN TS %	50
Csta Monitored	NO
Max.% of trunks	0
Charge Calling And ADN Creation	NO
Ratio analog.to ISDN tax	
Collect Calls Allowed	YES
Priority of Call	NO
PCM Network Mode	NO
LogicalChannel	1__15 & 17__31
TS Distribution on Accesses	YES
Use Split Acces	NO
Heterogeneous Remote Network	NO
Barring mode	Not barred
ARS class of service	31
Megacom Service	NO
SDN Service	NO
Quality profile for voice on IP	Profile #1
IP compression type	Default
Use of volume in system	YES
Local volume (dB)	0
External Access Server	NO
McdU Trk MonitCsta	
Announcement for Dialtone	NO
Announcement for Ringtone	NO
Private to Public Overflow	YES

T2 Access

\compidea\Trunk Groups::4\T2/T1/T0 Access::0-9-0

T2/T1/T0 Access	
Physical Address	0-9-0
Access Type	T2
Access Cluster Id	-1
Time Slots T2	
111	011111111111111110111111111111
Time Slots T0	011
Time Slots T1 CCS	01111111111111111111111110
Time Slots Virtual	01111110000000
DLCI	16
Committed Information Rate	48
Extended Information Rate	64
CIR Measurement Interval	10
Support Time Slot Address	
ISDN Compression Number	
Release Support Timer (100ms)	0
Protection Timer (1mn)	0



Configuring the Cisco Unified CallManager

6608-E1 Gateway Configuration

System Route Plan Service Feature Device User Application Help

Cisco CallManager Administration
For Cisco IP Telephony Solutions

CISCO SYSTEMS

Gateway Configuration

[Back to Find/List Gateways](#)
[Dependency Records](#)

Product : Cisco Catalyst 6000 E1 VoIP Gateway
Gateway : S0/DS1-0@SDA0001C9D8633E
Device Protocol: Digital Access PRI
Registration: Registered with Cisco CallManager 172.20.32.254
IP Address: [172.20.32.103](#)

Status: Ready

Device Information

MAC Address*	<input type="text" value="0001C9D8633E"/>
Description	<input type="text" value="SDA0001C9D8633E"/>
Device Pool*	<input type="text" value="Default"/>
Network Locale	<input type="text" value="United States"/>
Media Resource Group List	<input type="text" value=" < None >"/>
Location	<input type="text" value=" < None >"/>
AAR Group	<input type="text" value=" < None >"/>
Load Information	<input type="text"/>


Multilevel Precedence and Preemption (MLPP) Information

MLPP Domain (e.g., "0000FF")	<input type="text"/>
MLPP Indication	Not available on this device
MLPP Preemption	Not available on this device

Interface Information

PRI Protocol Type*	<input type="text" value="PRI EURO"/>
Protocol Side*	<input type="text" value="User"/>
Channel Selection Order*	<input type="text" value="Top Down"/>
Channel IE Type*	<input type="text" value="Continuous Number"/>

PCM Type*	A-law
Delay for first restart (1/8 sec ticks)	32
Delay between restarts (1/8 sec ticks)	4
<input checked="" type="checkbox"/> Inhibit restarts at PRI initialization <input checked="" type="checkbox"/> Enable status poll	
Call Routing Information	
Inbound Calls	
Significant Digits*	All
Calling Search Space	Incoming Trunk
AAR Calling Search Space	< None >
Prefix DN	
Outbound Calls	
Calling Line ID Presentation*	Default
Calling Party Selection*	Originator
Called party IE number type unknown*	National
Calling party IE number type unknown*	National
Called Numbering Plan*	ISDN
Calling Numbering Plan*	ISDN
Number of digits to strip*	0
Caller ID DN	
SMDI Base Port*	0
PRI Protocol Type Specific Information	
<input checked="" type="checkbox"/> Display IE Delivery <input type="checkbox"/> Redirecting Number IE Delivery - Outbound <input checked="" type="checkbox"/> Redirecting Number IE Delivery - Inbound <input checked="" type="checkbox"/> Send Extra Leading Character In DisplayIE*** <input type="checkbox"/> Setup non-ISDN Progress Indicator IE Enable****	

<input type="checkbox"/>	MCDN Channel Number Extension Bit Set to Zero**	
<input type="checkbox"/>	Send Calling Name In Facility IE	
<input type="checkbox"/>	Interface Identifier Present**	
Interface Identifier Value**		<input type="text" value="0"/>
Connected Line ID Presentation (QSIG Inbound Call)*		<input type="text" value="Default"/>
Connected PBX Model		<input type="text" value="None"/>
Product Specific Configuration 		
Clock Reference*		<input type="text" value="Network"/>
Framing*		<input type="text" value="CRC4"/>
Audio Signal Adjustment into IP Network*		<input type="text" value="NoDbPadding"/>
Audio Signal Adjustment from IP Network*		<input type="text" value="NoDbPadding"/>
Zero Suppression*		<input type="text" value="HDB3"/>
Digit On Duration(50-500ms)*		<input type="text" value="100"/>
Interdigit Duration(50-500msec)*		<input type="text" value="100"/>
SNMP Community String		<input type="text" value="public"/>
Disable SNMP Set operations*		<input type="checkbox"/>
Debug Port Enable*		<input checked="" type="checkbox"/>
Hold Tone Silence Duration*		<input type="text" value="0"/>
Port Used for Voice Calls*		<input checked="" type="checkbox"/>
Port Used for Modem Calls*		<input checked="" type="checkbox"/>
Port Used for Fax Calls*		<input checked="" type="checkbox"/>
Fax and Modem Parameters		
Fax Relay Enable*		<input checked="" type="checkbox"/>
Fax Error Correction Mode Override*		<input checked="" type="checkbox"/>
Maximum Fax Rate*		<input type="text" value="14400bps"/>
Fax Payload Size*		<input type="text" value="20"/>
Non Standard Facilities Country Code*		<input type="text" value="65535"/>

Non Standard Facilities Vendor Code*	<input type="text" value="65535"/>
Fax/Modem Packet Redundancy*	<input type="checkbox"/>
NSE Type*	<input type="text" value="Non-IOS Gateways"/>
Playout Delay Parameters	
Initial Playout Delay*	<input type="text" value="40"/>
Minimum Playout Delay*	<input type="text" value="20"/>
Maximum Playout Delay*	<input type="text" value="150"/>
Echo Canceller Configuration	
Echo TailLength (ms)*	<input type="text" value="32 ms"/>
Minimum ERL (db)*	<input type="text" value="6 db"/>
<p>* indicates required item ** applicable to DMS-100 protocol only *** applicable to DMS-100 protocol and DMS-250 protocol only **** may be required to force ringback from some PBXs</p>	
<p style="text-align: right;">Back to Find/List Gateways</p>	



Enbloc Route Pattern Configuration

Route Pattern/Hunt Pilot: 3XXX

Status: Ready
Note: Any update to this Route Pattern or Hunt Pilot automatically resets the associated gateway or Route/Hunt List

[Copy](#) [Update](#) [Delete](#)

Pattern Definition

Route Pattern/Hunt Pilot*

Partition

Description

Numbering Plan*

Route Filter

MLPP Precedence

Gateway or Route/Hunt List* [\(Edit\)](#)

Route Option

Route this pattern

Block this pattern

Provide Outside Dial Tone Allow Overlap Sending Urgent Priority

Calling Party Transformations

Use Calling Party's External Phone Number Mask

Calling Party Transform Mask

Prefix Digits (Outgoing Calls)

Calling Line ID Presentation

Calling Name Presentation

Connected Party Transformations

Connected Line ID Presentation

Connected Name Presentation

Called Party Transformations

Discard Digits

Called Party Transform Mask

Prefix Digits (Outgoing Calls)

ISDN Network-Specific Facilities Information Element

Carrier Identification Code

Network Service Protocol

Network Service	Service Parameter Name	Service Parameter Value
<input type="text" value=" — Not Selected —"/>	<input type="text" value=" < Not Exist >"/>	<input type="text"/>



Overlap Sending Route Pattern Configuration

Route Pattern/Hunt Pilot: 9.X

Status: Ready
Note: Any update to this Route Pattern or Hunt Pilot automatically resets the associated gateway or Route/Hunt List

Pattern Definition

Route Pattern/Hunt Pilot*

Partition

Description

Numbering Plan*

Route Filter

MLPP Precedence

Gateway or Route/Hunt List* (Edit)

Route Option

Route this pattern

Block this pattern

Provide Outside Dial Tone Allow Overlap Sending Urgent Priority

Calling Party Transformations

Use Calling Party's External Phone Number Mask

Calling Party Transform Mask

Prefix Digits (Outgoing Calls)

Calling Line ID Presentation

Calling Name Presentation

Connected Party Transformations

Connected Line ID Presentation

Connected Name Presentation

Called Party Transformations

Discard Digits

Called Party Transform Mask

Prefix Digits (Outgoing Calls)

ISDN Network-Specific Facilities Information Element

Carrier Identification Code

Network Service Protocol

Network Service	Service Parameter Name	Service Parameter Value
<input type="text" value=" — Not Selected —"/>	<input type="text" value=" < Not Exist >"/>	<input type="text"/>



PSTN Route Pattern Configuration

Route Pattern/Hunt Pilot: 91650XXXXXXX

Status: Ready
Note: Any update to this Route Pattern or Hunt Pilot automatically resets the associated gateway or Route/Hunt List

[Copy](#) [Update](#) [Delete](#)

Pattern Definition

Route Pattern/Hunt Pilot*

Partition

Description

Numbering Plan*

Route Filter

MLPP Precedence

Gateway or Route/Hunt List* [\(Edit\)](#)

Route Option

Route this pattern

Block this pattern

Provide Outside Dial Tone Allow Overlap Sending Urgent Priority

Calling Party Transformations

Use Calling Party's External Phone Number Mask

Calling Party Transform Mask

Prefix Digits (Outgoing Calls)

Calling Line ID Presentation

Calling Name Presentation

Connected Party Transformations

Connected Line ID Presentation

Connected Name Presentation

Called Party Transformations

Discard Digits

Called Party Transform Mask

Prefix Digits (Outgoing Calls)

ISDN Network-Specific Facilities Information Element

Carrier Identification Code

Network Service Protocol

Network Service	Service Parameter Name	Service Parameter Value
<input type="text" value=" — Not Selected —"/>	<input type="text" value=" < Not Exist >"/>	<input type="text"/>



7960 IP phone Configuration

[Add a new phone](#)
[Add/Update Speed Dials](#)
[Subscribe/Unsubscribe Services](#)
[Dependency Records](#)
[Back to Find/List Phones](#)

Phone Configuration

Directory Numbers
Base Phone

- Line 1 - 4000 in Phones
- Line 2 - Add new DN

Phone: SEP000B5FD22FE8 (Auto 4000)
Registration: Registered with Cisco CallManager 172.20.32.254
IP Address: 172.20.32.102
Status: Ready

Phone Configuration (Model = Cisco 7960)

Device Information

MAC Address*	<input type="text" value="000B5FD22FE8"/>
Description	<input type="text" value="Auto 4000"/>
Owner User ID	<input type="text"/> (Select User ID)
Device Pool*	<input type="text" value="Default"/> (View details)
Calling Search Space	<input type="text" value="< None >"/>
AAR Calling Search Space	<input type="text" value="< None >"/>
Media Resource Group List	<input type="text" value="< None >"/>
User Hold Audio Source	<input type="text" value="< None >"/>
Network Hold Audio Source	<input type="text" value="< None >"/>
Location	<input type="text" value="< None >"/>
User Locale	<input type="text" value="< None >"/>
Network Locale	<input type="text" value="< None >"/>
Device Security Mode	<input type="text" value="Use System Default"/>
Built In Bridge	<input type="text" value="Default"/>
Privacy	<input type="text" value="Default"/>

Phone Button Template Information


Phone Button Template*	<input type="text" value="Standard 7960"/> (View button list)
------------------------	---

Softkey Template Information

Softkey Template	<input type="text" value="< None >"/>
------------------	---

Expansion Module Information

Module 1	<input type="text" value="< None >"/>
Module 2	<input type="text" value="< None >"/>

Firmware Load Information (leave blank to use default)	
Phone Load Name	<input type="text"/>
Module 1 Load Name	<input type="text"/> (Module 1 selection required)
Module 2 Load Name	<input type="text"/> (Module 2 selection required)
Cisco IP Phone - External Data Locations (leave blank to use default)	
Information	<input type="text"/>
Directory	<input type="text"/>
Messages	<input type="text"/>
Services	<input type="text"/>
Authentication Server	<input type="text"/>
Proxy Server	<input type="text"/>
Idle	<input type="text"/>
Idle Timer (seconds)	<input type="text"/>
Extension Mobility (Device Profile) Information	
<input type="checkbox"/> Enable Extension Mobility Feature	
Log Out Profile	<input type="text" value="-- Not Selected --"/>
Log In User ID	< None >
Log In Time	< None >
Log Out Time	< None >
Multilevel Precedence and Preemption (MLPP) Information	
MLPP Domain	<input type="text"/> (e.g., "0000FF")
MLPP Indication	<input type="text" value="Default"/>
MLPP Preemption	<input type="text" value="Default"/>
Product Specific Configuration 	
Disable Speakerphone	<input type="checkbox"/>
Disable Speakerphone and Headset	<input type="checkbox"/>
Forwarding Delay*	<input type="text" value="Disabled"/>
PC Port*	<input type="text" value="Enabled"/>
Settings Access*	<input type="text" value="Enabled"/>
Gratuitous ARP*	<input type="text" value="Enabled"/>
PC Voice VLAN Access*	<input type="text" value="Enabled"/>



Directory Number Configuration

[Configure Device \(SEP000B5FD22FE8\)](#)
[Dependency Records](#)

Associated With

SEP000B5FD22FE8
7960 (Line 1)

Directory Number: 4000 (Phones)

Status: Ready
Note: Any update to this Directory Number automatically resets the associated devices

Directory Number

Directory Number*
Partition

Directory Number Settings

Voice Mail Profile
(Choose <None> to use default)
Calling Search Space
AAR Group
User Hold Audio Source
Network Hold Audio Source
Auto Answer

Call Forward and Pickup Settings

	Voice Mail Destination	Calling Search Space
Forward All <input type="checkbox"/>	<input type="text"/>	<input type="text" value=" < None >"/>
Forward Busy <input type="checkbox"/>	<input type="text"/>	<input type="text" value=" < None >"/>
Forward No Answer <input type="checkbox"/>	<input type="text"/>	<input type="text" value=" < None >"/>
No Answer Ring Duration <input type="text"/>	(seconds)	
Call Pickup Group <input type="text"/>	<input type="text" value=" < None >"/>	

MLPP Alternate Party Settings

Target (Destination)
Calling Search Space
No Answer Ring Duration (seconds)

Line Settings for this Device

Display (Internal Caller ID)
Line Text Label
External Phone Number Mask



Message Waiting Lamp Policy	<input type="text" value="Use System Policy"/>
Ring Setting (Phone Idle)	<input type="text" value="Use System Default"/>
Ring Setting (Phone Active)**	<input type="text" value="Use System Default"/>
Multiple Call / Call Waiting Settings	
Maximum Number of Calls*	<input type="text" value="4"/> (1 - 200)
Busy Trigger*	<input type="text" value="2"/> (<= Max. Calls)
Forwarded Call Information Display	
<input checked="" type="checkbox"/> Caller Name	<input checked="" type="checkbox"/> Caller Number
<input checked="" type="checkbox"/> Redirected Number	<input checked="" type="checkbox"/> Dialed Number
<p>* indicates required item; changes to Line or Directory Number settings require restart. ** Ring Setting (Phone Active) applies to this line when any line on the phone has a call in progress.</p>	
Note: If you are using a language other than English for Display (Internal Caller ID) or Line Text Label text, make sure the correct character set (shown below) is selected. Text displays incorrectly if the wrong characterset is selected. (English characters are included in all character sets.)	
Character Set	<input type="text" value="Western European (Latin 1)"/>



Acronyms

Acronym	Definitions
CUCM	Cisco Unified CallManager



Important Information

THE SPECIFICATIONS AND INFORMATION REGARDING THE PRODUCTS IN THIS MANUAL ARE SUBJECT TO CHANGE WITHOUT NOTICE. ALL STATEMENTS, INFORMATION, AND RECOMMENDATIONS IN THIS MANUAL ARE BELIEVED TO BE ACCURATE BUT ARE PRESENTED WITHOUT WARRANTY OF ANY KIND, EXPRESS OR IMPLIED. USERS MUST TAKE FULL RESPONSIBILITY FOR THEIR APPLICATION OF ANY PRODUCTS.

IN NO EVENT SHALL CISCO OR ITS SUPPLIERS BE LIABLE FOR ANY INDIRECT, SPECIAL, CONSEQUENTIAL, OR INCIDENTAL DAMAGES, INCLUDING, WITHOUT LIMITATION, LOST PROFITS OR LOSS OR DAMAGE TO DATA ARISING OUT OF THE USE OR INABILITY TO USE THIS MANUAL, EVEN IF CISCO OR ITS SUPPLIERS HAVE BEEN ADVISED OF THE POSSIBILITY OF SUCH DAMAGES.



**Corporate
Headquarters**

Cisco Systems, Inc.
170 West Tasman Drive
San Jose, CA 95134-1706
USA
www.cisco.com
Tel: 408 526-4000
800 553-NETS (6387)
Fax: 408 526-4100

**European
Headquarters**

Cisco Systems International
BV
Haarlerbergpark
Haarlerbergweg 13-19
1101 CH Amsterdam
The Netherlands
www-europe.cisco.com
Tel: 31 0 20 357 1000
Fax: 31 0 20 357 1100

**Americas
Headquarters**

Cisco Systems, Inc.
170 West Tasman Drive
San Jose, CA 95134-1706
USA
www.cisco.com
Tel: 408 526-7660
Fax: 408 527-0883

**Asia Pacific
Headquarters**

Cisco Systems, Inc.
Capital Tower
168 Robinson Road
#22-01 to #29-01
Singapore 068912
www.cisco.com
Tel: +65 317 7777
Fax: +65 317 7799

Cisco Systems has more than 200 offices in the following countries and regions. Addresses, phone numbers, and fax numbers are listed on the Cisco Web site at www.cisco.com/go/offices.

Argentina • Australia • Austria • Belgium • Brazil • Bulgaria • Canada • Chile • China PRC • Colombia • Costa Rica • Croatia • Czech Republic • Denmark • Dubai, UAE • Finland • France • Germany • Greece • Hong Kong SAR • Hungary • India • Indonesia • Ireland • Israel • Italy • Japan • Korea • Luxembourg • Malaysia • Mexico • The Netherlands • New Zealand • Norway • Peru • Philippines • Poland • Portugal • Puerto Rico • Romania • Russia • Saudi Arabia • Scotland • Singapore • Slovakia • Slovenia • South Africa • Spain • Sweden • Switzerland • Taiwan • Thailand • Turkey • Ukraine • United Kingdom • United States • Venezuela • Vietnam • Zimbabwe

© 2007 Cisco Systems, Inc. All rights reserved.

CCVP, the Cisco logo, and Welcome to the Human Network are trademarks of Cisco Systems, Inc.; Changing the Way We Work, Live, Play, and Learn is a service mark of Cisco Systems, Inc.; and Access Registrar, Aironet, Catalyst, CCDA, CCDP, CCIE, CCIP, CCNA, CCNP, CCSP, Cisco, the Cisco Certified Internetwork Expert logo, Cisco IOS, Cisco Press, Cisco Systems, Cisco Systems Capital, the Cisco Systems logo, Cisco Unity, Enterprise/Solver, EtherChannel, EtherFast, EtherSwitch, Fast Step, Follow Me Browsing, FormShare, GigaDrive, HomeLink, Internet Quotient, IOS, iPhone, IP/TV, iQ Expertise, the iQ logo, iQ Net Readiness Scorecard, iQuick Study, LightStream, Linksys, MeetingPlace, MGX, Networkers, Networking Academy, Network Registrar, PIX, ProConnect, ScriptShare, SMARTnet, StackWise, The Fastest Way to Increase Your Internet Quotient, and TransPath are registered trademarks of Cisco Systems, Inc. and/or its affiliates in the United States and certain other countries.

All other trademarks mentioned in this document or Website are the property of their respective owners. The use of the word partner does not imply a partnership relationship between Cisco and any other company. (0711R)

Printed in the USA