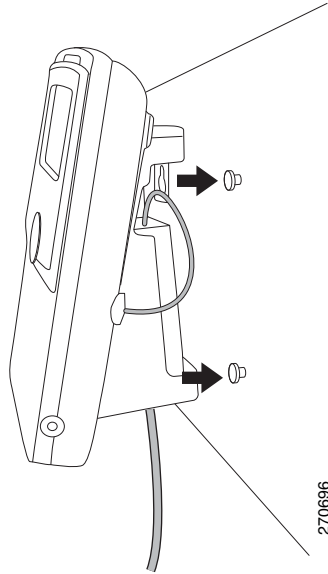


5. Hang the Wall-Mount Bracket to the Wall

- Hang on to the screws mounted in the wall



QUICK INSTALLATION GUIDE



Installing the Wall-Mount Bracket for Cisco Unified IP Phones 521(S)G and 524(S)G



Note

Users can use this Wall-Mount Bracket installation guide for Cisco Unified IP phones 521SG, 524SG, 521G, and 524G

Americas Headquarters
Cisco Systems, Inc.
170 West Tasman Drive
San Jose, CA 95134-1706
USA
<http://www.cisco.com>
Tel: 408 526-4000
800 553-NETS (6387)
Fax: 408 527-0883

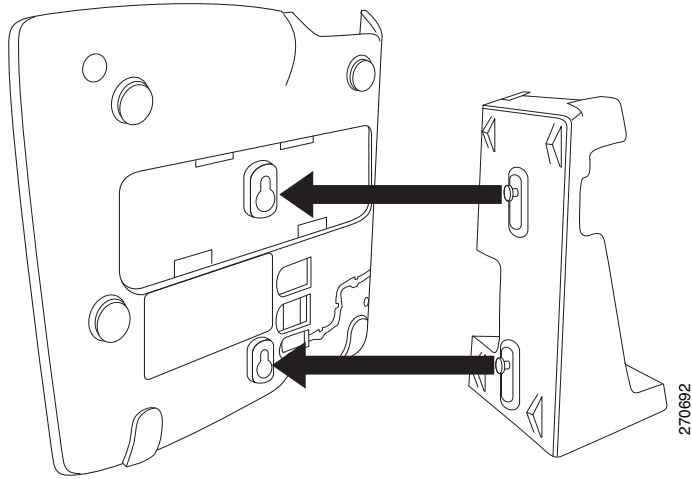


Cisco, Cisco Systems, the Cisco logo, and the Cisco Systems logo are registered trademarks or trademarks of Cisco Systems, Inc. and/or its affiliates in the United States and certain other countries. All other trademarks mentioned in this document or Website are the property of their respective owners. The use of the word partner does not imply a partnership relationship between Cisco and any other company. (0705R)

© 2008 Cisco Systems, Inc. All rights reserved.

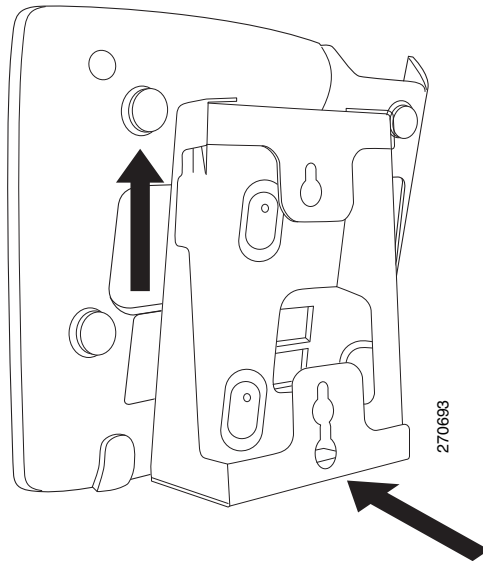
1. Attach the Wall-Mount Bracket

- Attach the two cleats on the wall-mount bracket with the holes in the phone's base.
- Adjust the wall-mount bracket in such a way that the phone's Ethernet and handset jacks are accessible when it is installed.



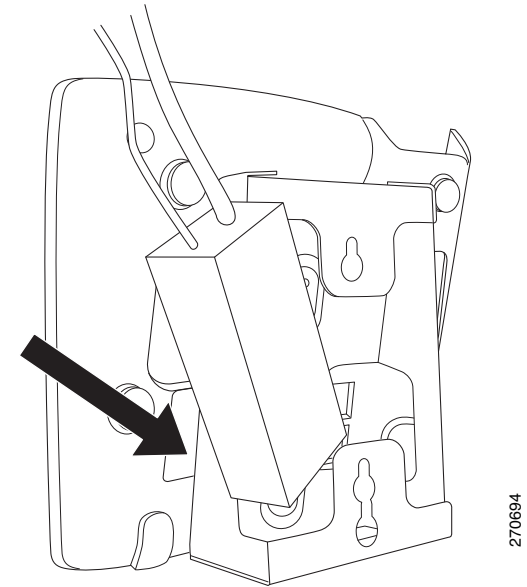
2. Lock the Wall-Mount Bracket

- Push the wall-mount bracket into the phone's base and slide the wall-mount bracket upward to lock it in place.



3. Place the Optional Dongles in the Tray

- If either one of the optional dongles (WiFi or PoE) is installed, place the dongle in the tray.



4. Plug in the Dongle Cables

- Plug in the dongle cables, or separate Ethernet and power cables.

