



Surge-Gap Drop Amplifier Quick Install Sheet

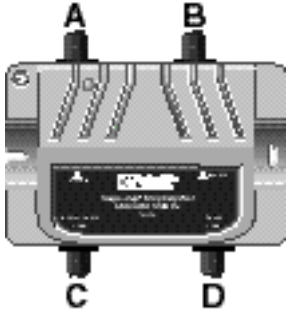

General Installation Notes

Keep the following in mind when installing the *Surge-Gap™* Drop Amplifier.

- The drop amplifier has no power switch. Power is on when the AC adapter is plugged into an AC outlet and the power cable is connected to the drop amplifier.
- The power “on” state is indicated by the LED lighting up.
- Terminate any unused RF ports by attaching 75 ohm terminators (provided).
- A standard length of RG6 coaxial cable is required for installation (3-feet provided).



Parts Provided in the Kit

The following table shows the contents of the kit.

Part	Illustration	Function
Surge-Gap Drop Amplifier		A: Power Port – for powering by a coaxial cable connected to the AC adapter. B: Input Cable Port C: Power Inserter/ Output Port (Labeled “In PWR + Out RF”) D: Output Port Only
AC Adapter		The AC adapter is connected to the drop amplifier at port A by the coaxial cable (provided). The AC adapter is then plugged into an AC outlet.

Continued on next page

Surge-Gap Drop Amplifier Quick Install Sheet, Continued

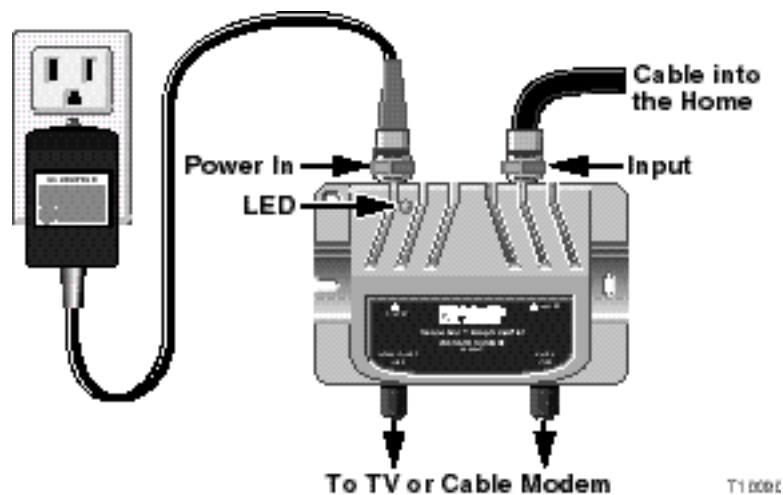
Power Inserter		The power inserter is used with outdoor installations.
75 ohm Terminators		Terminators must be installed on any unused output ports to reduce noise getting into the cable network.
3-foot Coaxial Cable	The coaxial cable connects the AC adapter to the drop amplifier.	
Installation Screws (2)	The screws are used to attach the drop amplifier to the wall.	

Indoor Installation

Follow the steps below to install the drop amplifier inside the home.

Note: The power inserter (provided) is not used for indoor installations.

1. Locate the drop amplifier near the drop cable and a 120 V AC or 240 V AC outlet. Look for the areas where the cable enters the home or is split for devices. This is typically in the basement or the attic. You may also find a termination within a network interface box (gray box) on the outside of your home.
2. Mount the drop amplifier to a stud or wall using the installation screws.
3. Make all connections to the drop amplifier as shown in the diagram below.
4. Plug the AC adapter into the AC outlet.



Continued on next page

Surge-Gap Drop Amplifier Quick Install Sheet, Continued

Outdoor Installation

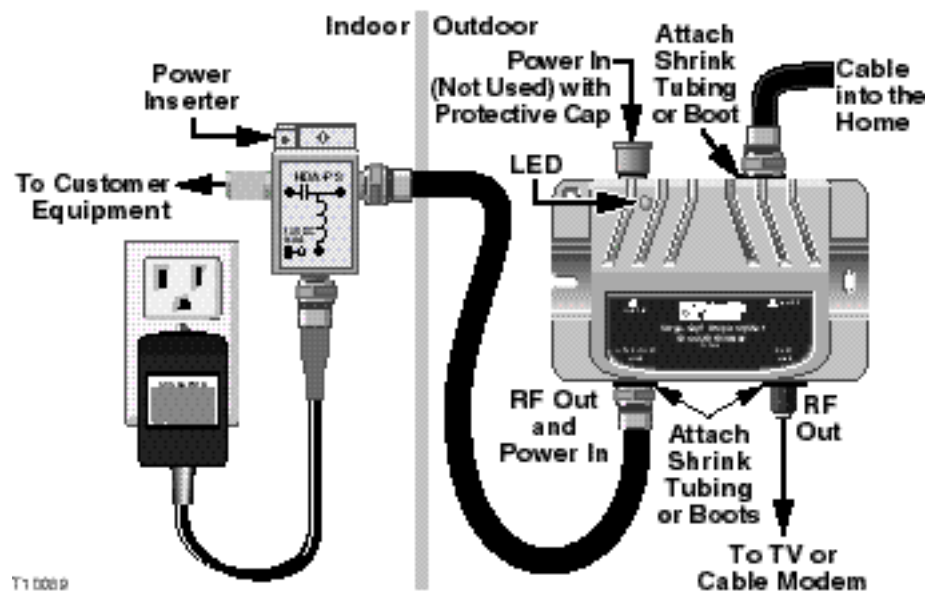
Follow the steps below to install the drop amplifier outside the home.

Note: Outdoor installations require the optional power inserter and water sealing F-connector boots or shrink tubing (not provided).

Important: Make all connections to the drop amplifier before the AC adapter is plugged into the AC outlet.

1. Locate the drop amplifier near the drop cable.
Note: Cisco recommends that you install the drop amplifier inside a network interface box. However, you can install the drop amplifier in an exposed area if necessary.
2. Mount the drop amplifier to a stud or wall using the installation screws.
3. Connect the power inserter to the customer equipment drop, locating it near an AC outlet.
4. Attach the power inserter to the AC adapter exactly as shown in the diagram below.
5. Place water sealing F-connector boots or shrink tubing (not provided) on the cable connections of the drop amplifier as shown in the diagram below.
6. Make all connections to the drop amplifier as shown in the diagram below.
7. Plug the AC adapter into the AC outlet.

Note: Retain the protective cap on the unused DC input port for additional protection.



Surge-Gap Drop Amplifier Quick Install Sheet, Continued

For More Information

If you have technical questions, call Cisco Services for assistance. Follow the menu options to speak with a service engineer.



Cisco Systems, Inc.
5030 Sugarloaf Parkway, Box 465447
Lawrenceville, GA 30042

678 277-1120
800 722-2009
www.cisco.com

Cisco and the Cisco logo are trademarks or registered trademarks of Cisco and/or its affiliates in the U.S. and other countries. To view a list of Cisco trademarks, go to this URL:

www.cisco.com/go/trademarks.

Third party trademarks mentioned are the property of their respective owners.

The use of the word partner does not imply a partnership relationship between Cisco and any other company. (1110R)

Product and service availability are subject to change without notice.

© 2002, 2008, 2012 Cisco and/or its affiliates. All rights reserved.

August 2012 Printed in USA

Part Number

78-4000255-01 Rev C