



# GainMaker Broadband Amplifier Platform Line Extender Housing Closure Information

## Closing the Housing

---

### Introduction

This information gives step-by-step instructions on correctly closing the GainMaker™ Broadband Amplifier Platform Line Extender housing.

**Important:** For complete information about installing the GainMaker Broadband Amplifier Platform Line Extender Amplifier *housing and amplifier* please refer to the **GainMaker Broadband Amplifier Platform Line Extender Amplifier Modules and Housings Installation and Operation Guide**, part number 593057.

### Tightening the Closure Bolts

To tighten the closure bolts, follow the steps below.

**Important:** Before you start, make sure you have a torque wrench with a 1/2-in. socket.

 **CAUTION:**

**Avoid moisture damage and RF leakage! Follow the procedure *exactly* as shown below to ensure a proper seal.**

1. Inspect the housing gasket and all mating surfaces. Wipe off any dirt and debris.
2. Close the housing and finger-tighten all closure bolts.

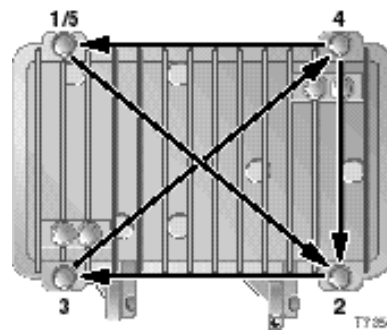
## Closing the Housing, Continued

---

3. Use a torque wrench with a 1/2-in. socket to tighten each closure bolt from 5 ft-lb to 12 ft-lb (6.8 Nm to 16.3 Nm) each.

**Note:** Ensure that any test point plugs are tightened from 2 ft-lb to 4 ft-lb (2.7 Nm to 5.4 Nm).

**Important:** Follow this numbered sequence to tighten the closure bolts.



### Customer Service Contact Information

If you have technical questions, call Cisco Services for assistance. Follow the menu options to speak with a service engineer.



Cisco Systems, Inc.  
5030 Sugarloaf Parkway, Box 465447  
Lawrenceville, GA 30042

678 277-1120  
800 722-2009  
[www.cisco.com](http://www.cisco.com)

Cisco and the Cisco logo are trademarks or registered trademarks of Cisco and/or its affiliates in the U.S. and other countries. To view a list of Cisco trademarks, go to this URL: [www.cisco.com/go/trademarks](http://www.cisco.com/go/trademarks).

Third party trademarks mentioned are the property of their respective owners.

The use of the word partner does not imply a partnership relationship between Cisco and any other company. (1110R)

Product and service availability are subject to change without notice.

© 1999, 2008, 2012 Cisco and/or its affiliates. All rights reserved.

October 2012 Printed in USA

Part Number 78-715969-01 Rev D