



DSAN Installation and Setup Technical Bulletin

Overview

This technical bulletin provides information to support installation and setup of the Cisco® Digital Service Access Node (DSAN) system. Specifically, it contains:

- Detailed instructions and guidance for cutting coaxial cable pin connectors for the DSAN, including connector cut length specifications and suggestions for easier pin insertion.
- A table of output channel video carrier frequencies for the DSAN, with guidance on using this information to properly measure analog channel output power.

Purpose

This technical bulletin provides supporting information only. For detailed information on DSAN installation, configuration, and operation, see the *Cisco DSAN System Installation and Operation Guide*, part number 4032302.

Affected Units

The information in this technical bulletin applies to all DSAN units delivered to the field as of the publication date.

Audience

This technical bulletin applies to all system engineers, managers, and customers responsible for operating or maintaining Cisco DSAN system equipment.

Qualified Personnel

Only appropriately qualified and skilled service personnel should attempt to install, operate, maintain, and service this product.



WARNING:

Allow only qualified and skilled personnel to install, operate, maintain, and service this product. Otherwise, personal injury or equipment damage may occur.

In This Document

- DSAN Coaxial Cable Pin Connector Installation.....3
- DSAN Output Channel Video Carrier Frequencies.....5
- For Information.....6

DSAN Coaxial Cable Pin Connector Installation

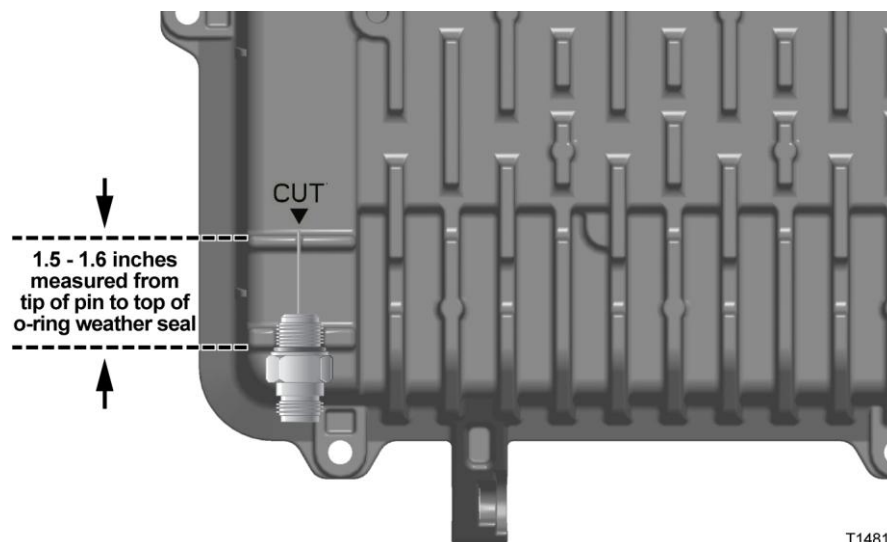
This section provides guidance for cutting coaxial cable pin connectors for the Cisco DSAN. It provides a description of the housing port interfaces, the connector cut length specifications, and suggestions to allow for easier pin connector insertion.

Description

The Cisco DSAN housing has three KS ports that accept coaxial cable pin connectors. These ports have an internal spring-loaded contact that enables pin connectors to be inserted and replaced without requiring internal access to the product. Pin connectors are installed by pushing the pin of the connector into the port, through the internal spring-loaded contact, and then tightening the connector threads to the housing.

The length of the cut pin connector has a specification of 1.5 to 1.6 inches. This specification shall not be exceeded in order to maintain proper product performance. There is a cut guide provided on the DSAN housing to aid in the cutting process of the pin connector.

As shown in the following illustration, the edge of the guide is the minimum limit of the pin connector length specification and the tip of the CUT arrow label is the maximum limit of the length specification. The length specification measurement locations are from the tip of the pin to the edge of the pin connector that will sit flush with the housing when the pin connector is full installed.



Recommended Procedures

Some field personnel have noted that the pin connector insertion is easier when the pin connectors are cut between 1.55 and 1.6 inches in length. The longer length allows for the pin to engage the internal spring-loaded contact before the connector threads engage the housing. This reduces the required insertion force when working to engage the connector threads. It may also help to twist the connector back and forth slightly while pressing in against the seizure to get the tip of the pin to engage.

Important: Do not allow the pin to exceed the 1.6 inch maximum length. We also recommend that you file the tip of the cut pin connector smooth to remove any metal burrs.

We recommend that you use **one** of the following pin cut procedures based on the fit of the pin connector in the housing guide:

- If the pin connector fits properly in the housing guide, use the tip of the CUT arrow label as the cut length. Be careful to not exceed the 1.6 inch maximum length. See the preceding illustration for pin connector measurement points.
- If the pin connector does not fit properly in the housing guide, use a tape measure and cut the pin between 1.55 and 1.6 inches, measuring from the tip of the pin to the edge of the pin connector that will sit flush with the housing when the pin connector is fully installed. Be careful not to exceed the 1.6 inch maximum length. See the preceding illustration for pin connector measurement points.

DSAN Output Channel Video Carrier Frequencies

The following table lists the 82 EIA channel numbers and their corresponding DSAN output video carrier frequencies. These carrier frequencies meet specification for the Standard Channel plan, but may differ slightly from the nominal channel plan. To accurately measure the DSAN RF levels, you may need to calibrate power meters to the following frequency chart. Failure to do so may result in inaccurate level settings that could adversely affect downstream quality and performance.

EIA Channel	Video Carrier Frequency (MHz)	EIA Channel	Video Carrier Frequency (MHz)	EIA Channel	Video Carrier Frequency (MHz)
2	55.25	25	229.2625	53	397.2625
3	61.25	26	235.2625	54	403.2625
4	67.25	27	241.2625	55	409.2625
5	77.25	28	247.2625	56	415.2625
6	83.25	29	253.2625	57	421.2625
95	91.2750	30	259.2625	58	427.2625
96	97.2750	31	265.2625	59	433.2625
97	103.2750	32	271.2625	60	439.2625
98	109.2750	33	277.2625	61	445.2625
99	115.2750	34	283.2625	62	451.2625
14	121.2625	35	289.2625	63	457.2625
15	127.2625	36	295.2625	64	463.2625
16	133.2625	37	301.2625	65	469.2625
17	139.2625	38	307.2625	66	475.2625
18	145.2625	39	313.2625	67	481.2625
19	151.2625	40	319.2625	68	487.2625
20	157.2625	41	325.2625	69	493.2625
21	163.2625	42	331.2750	70	499.2625
22	169.2625	43	337.2625	71	505.2625
7	175.2625	44	343.2625	72	511.2625
8	181.2625	45	349.2625	73	517.2625
9	187.2625	46	355.2625	74	523.2625
10	193.2625	47	361.2625	75	529.2625
11	199.2625	48	367.2625	76	535.2625
12	205.2625	49	373.2625	77	541.2625
13	211.2625	50	379.2625	78	547.2625
23	217.2625	51	385.2625		
24	223.2625	52	391.2625		

For Information

Support Telephone Numbers

This table lists the Technical Support and Customer Service numbers for your area.

Region	Centers	Telephone and Fax Numbers
North America	Cisco Services Atlanta, Georgia United States	For <i>Technical Support</i> , call: <ul style="list-style-type: none"> ■ Toll-free: 1-800-722-2009 ■ Local: 678-277-1120 (Press 2 at the prompt) For <i>Customer Service</i> , call: <ul style="list-style-type: none"> ■ Toll-free: 1-800-722-2009 ■ Local: 678-277-1120 (Press 3 at the prompt) ■ Fax: 770-236-5477 ■ Email: customer-service@cisco.com
Europe, Middle East, Africa	Belgium	For <i>Technical Support</i> , call: <ul style="list-style-type: none"> ■ Telephone: 32-56-445-197 or 32-56-445-155 ■ Fax: 32-56-445-061 For <i>Customer Service</i> , call: <ul style="list-style-type: none"> ■ Telephone: 32-56-445-444 ■ Fax: 32-56-445-051 ■ Email: service-elc@cisco.com
Japan	Japan	<ul style="list-style-type: none"> ■ Telephone: 81-3-5908-2153 or +81-3-5908-2154 ■ Fax: 81-3-5908-2155
Korea	Korea	<ul style="list-style-type: none"> ■ Telephone: 82-2-3429-8800 ■ Fax: 82-2-3452-9748 ■ Email: songk@cisco.com
China (mainland)	China	<ul style="list-style-type: none"> ■ Telephone: 86-21-2401-4433 ■ Fax: 86-21-2401-4455 ■ Email: xishan@cisco.com
All other Asia Pacific countries & Australia	Hong Kong	<ul style="list-style-type: none"> ■ Telephone: 852-2588-4746 ■ Fax: 852-2588-3139 ■ Email: saapac-support@cisco.com
Brazil	Brazil	<ul style="list-style-type: none"> ■ Telephone: 11-55-08-9999 ■ Fax: 11-55-08-9998 ■ Email: fattinl@cisco.com or ecavalhe@cisco.com
Mexico, Central America, Caribbean	Mexico	For <i>Technical Support</i> , call: <ul style="list-style-type: none"> ■ Telephone: 52-3515152599 ■ Fax: 52-3515152599 For <i>Customer Service</i> , call: <ul style="list-style-type: none"> ■ Telephone: 52-55-50-81-8425 ■ Fax: 52-55-52-61-0893 ■ Email: sa-latam-cs@cisco.com

Region	Centers	Telephone and Fax Numbers
All other Latin America countries	Argentina	For <i>Technical Support</i> , call: ■ Telephone: 54-23-20-403340 ext 109 ■ Fax: 54-23-20-403340 ext 103 For <i>Customer Service</i> , call: ■ Telephone: 770-236-5662 ■ Fax: 770-236-5888 ■ Email: keillov@cisco.com



5030 Sugarloaf Parkway, Box 465447
Lawrenceville, GA 30042

678.277.1000

Cisco and the Cisco logo are trademarks or registered trademarks of Cisco and/or its affiliates in the U.S. and other countries. A listing of Cisco's trademarks can be found at **www.cisco.com/go/trademarks**.

Third party trademarks mentioned are the property of their respective owners.

The use of the word partner does not imply a partnership relationship between Cisco and any other company.^(1009R)

Product and service availability are subject to change without notice.

© 2010 Cisco and/or its affiliates. All rights reserved.
October 2010

Printed in United States of America
Part Number 4038958 Rev B