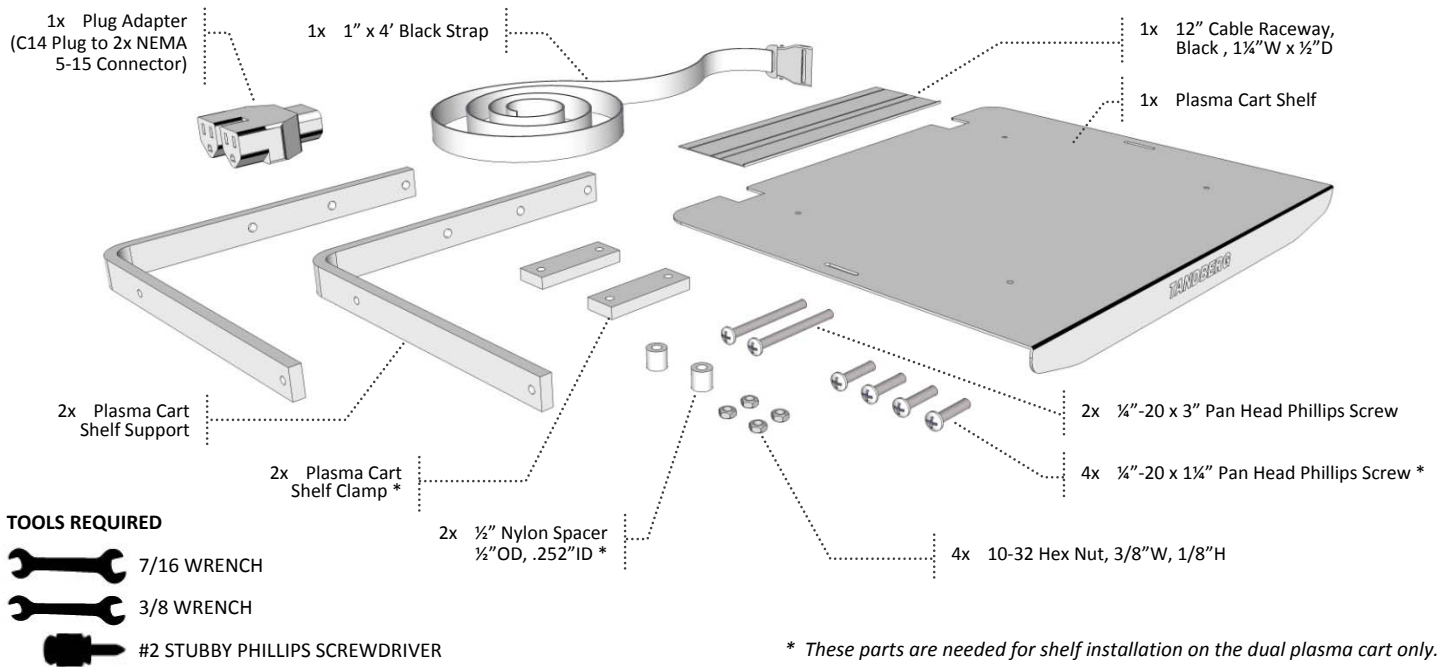


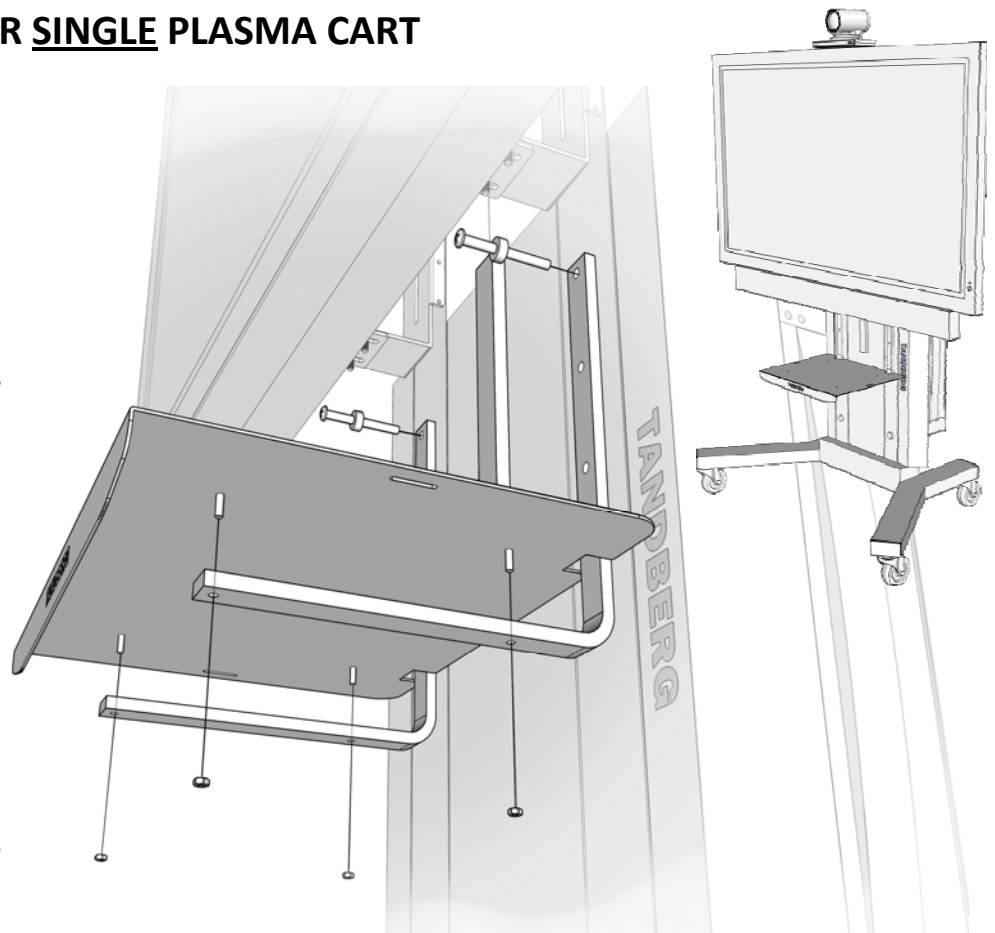
# Shelf Installation for Single/Dual Plasma Cart

Installation Sheet | D50578.01  
OCTOBER 2009



## SHELF INSTALLATION FOR SINGLE PLASMA CART

1. Remove one of the screws from the top pair of 4 existing screws holding the front cover panel and/or the rear electronics kit.
2. Loosely secure the PLASMA CART SHELF SUPPORT to the cart by inserting a REPLACEMENT SCREW (1/4"-20 x 3" Pan Phillips) into the SCREWCAP and into 1 of 3 holes on the SHELF SUPPORT. *Select the hole height that will sufficiently accommodate the peripheral to be placed on the shelf.*  
  
Repeat for the second SHELF SUPPORT.
3. Place the PLASMA CART SHELF by aligning the STUDS onto the 4 holes on the SHELF SUPPORTS. Use the 10-32 HEX NUTS to secure the shelf to the supports.
4. Tighten the screws to secure the SHELF SUPPORT to the CART.
5. Assemble and vertically affix the CABLE RACEWAY on the center of the COVER PANEL above the SHELF. The raceway can be trimmed with scissors as needed.
6. Use the PLUG ADAPTER to provide an extra outlet on the cart to supply power to the peripheral intended for the shelf.



## SHELF INSTALLATION FOR DUAL PLASMA CART

1. Take one PLASMA CART SHELF SUPPORT and one PLASMA SHELF CLAMP to create a "hook" with a ¼"-20 x 1¼" PAN HEAD PHILLIPS SCREW and one NYLON SPACER.

Repeat for the second SHELF SUPPORT.

2. Hook the SHELF SUPPORTS to the front COVER PANEL.

*It is recommended that the shelf be installed nearest to the codec and other electronics.*

3. Place the PLASMA CART SHELF by aligning the STUDS onto the 4 holes on the SHELF SUPPORTS. Use the 10-32 HEX NUTS to secure the shelf to the supports.
4. Tighten the screws to secure the SHELF SUPPORT to the CART.
5. Once the SHELF is secure and in the appropriate position, use the ¼"-20 x 1¼" PAN HEAD PHILLIPS SCREWS to secure the shelf unit to the panel by gently tightening the screws through the SHELF CLAMPS on the back-side.
6. Assemble and vertically affix the CABLE RACEWAY on the center of the COVER PANEL above the SHELF.

*The raceway can be trimmed to size with scissors as needed.*

7. Use the PLUG ADAPTER to provide an extra outlet on the cart to supply power to the peripheral intended for the shelf.

