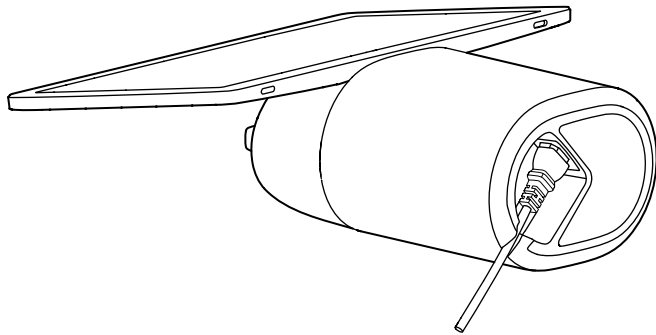
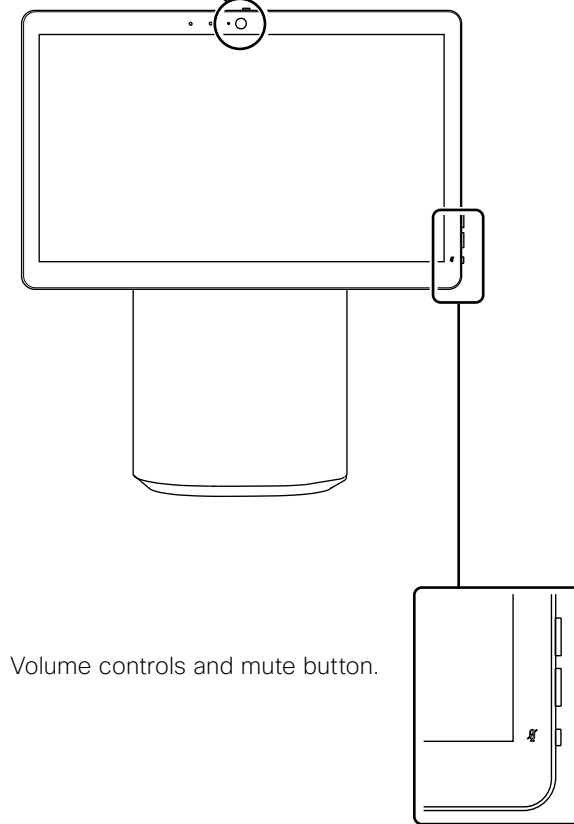
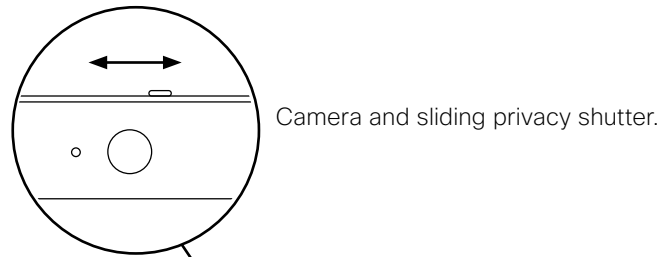


1 With the screen facing you, tilt the Desk Mini back. Connect the power cable and stand the device up.



2 Press the power button to turn on the device and follow the on-screen instructions to set it up.



Power button

