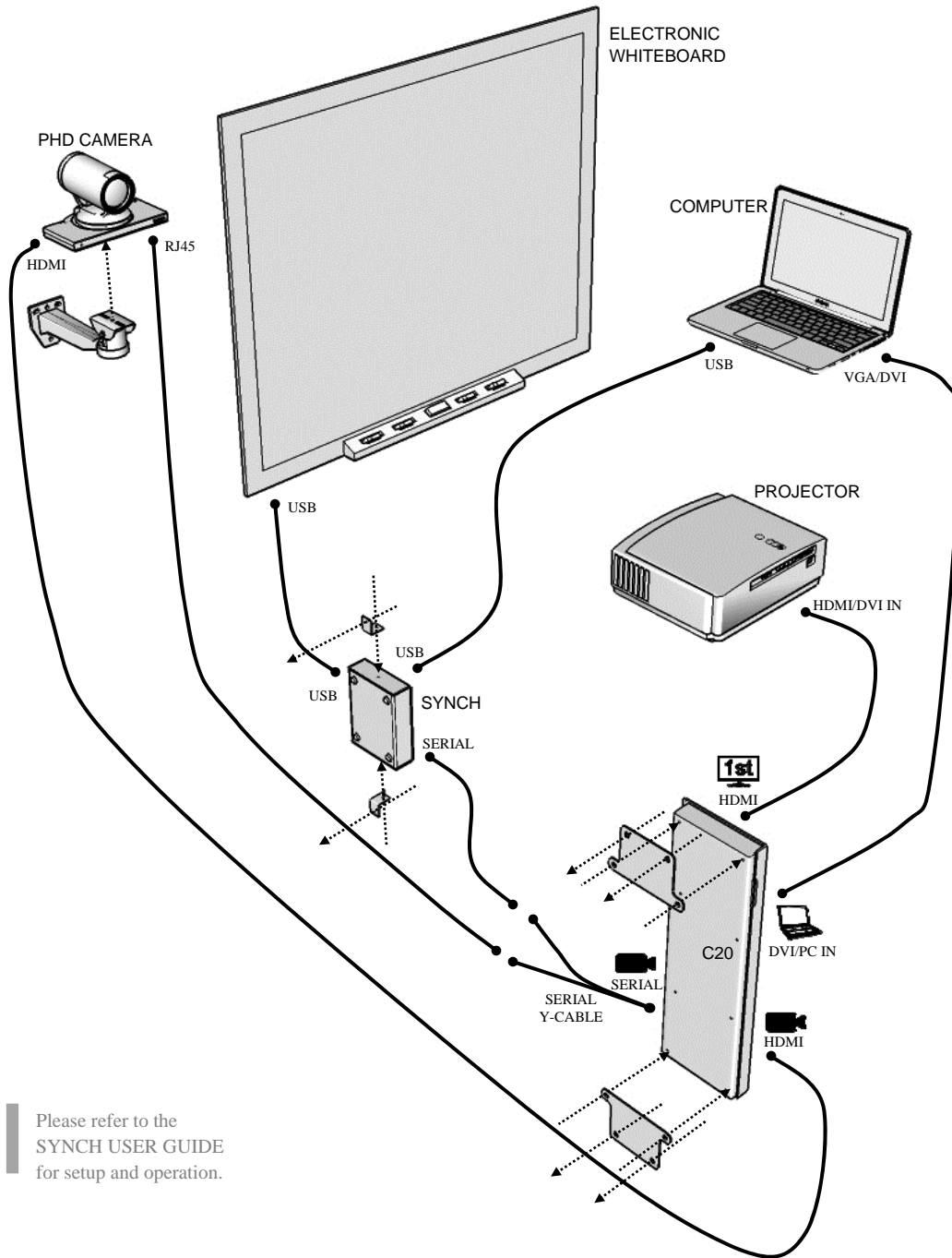


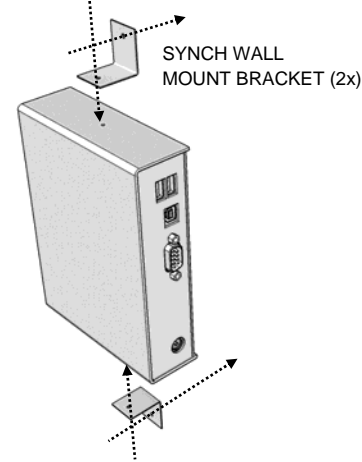


Cisco TelePresence Synch / C20 Installation Kit

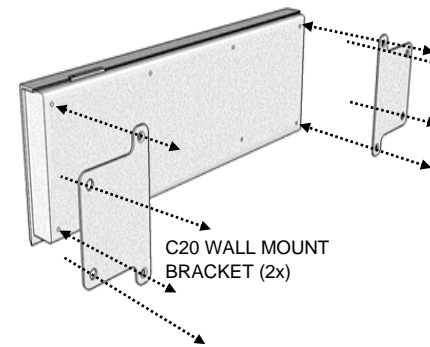
D50596.04 | APR 2013



Please refer to the SYNCH USER GUIDE for setup and operation.

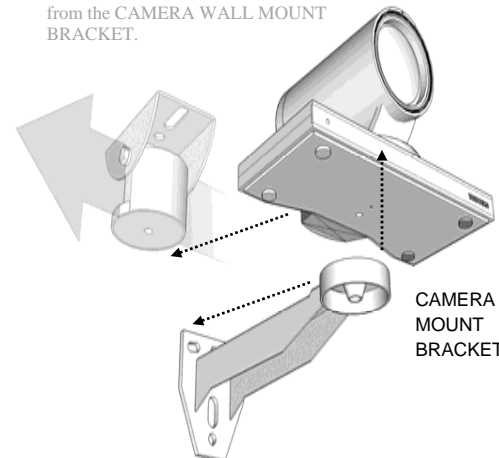


1. Remove center screws on both sides of SYNCH using a small Phillips screwdriver.
2. Use the same screws to secure the SYNCH WALL MOUNT BRACKETS to the SYNCH box.
3. Use appropriate user-supplied anchoring hardware to mount the codec to the preferred location.



1. Remove the two sets of screws (Torx T10) found at bottom of codec, as shown in drawing at left.
2. Use same screws to mount C20 WALL MOUNT BRACKETS to codec.
3. Use appropriate user-supplied anchoring hardware to mount the codec to the preferred location.

Remove the screw and swivel mount from the CAMERA WALL MOUNT BRACKET.



1. Mount CAMERA WALL MOUNT BRACKET to preferred location near ELECTRONIC WHITEBOARD with appropriate user-supplied anchoring hardware. Follow instructions provided with the CAMERA WALL MOUNT BRACKET.
2. Use 1/4-20 x 1" FLAT-HEAD PHILLIPS SCREW with 1/8" NYLON SPACER with 1/8" NYLON SPACER to secure PHD CAMERA to camera mount bracket.