



Quick Start Guide



Cisco Small Business Model SD2005 5-Port 10/100/1000 Switch

Package Contents

- SD2005 Switch
- Power Adapter
- Quick Start Guide

1 Product Overview

Thank you for choosing the Cisco 5-Port 10/100/1000 Switch. The Switch provides non-blocking, wire speed switching for your 10, 100, and 1000 Mbps network clients.

Front Panel

The LEDs are located on the front panel of the Switch.



System—(Green) This LED lights up and remains lit when the Switch is powered on.

Link/ACT (Ports 1-5)—(Green) Each LED lights up when a connection is made through its corresponding port. It flashes when the corresponding port is active.

Back Panel

The Power Port and Ethernet network ports are located on the back panel of the Switch. All ports are auto-negotiating and have automatic MDI/MDI-X crossover detection.



1-5—These ports connect the Switch to network devices, such as computers.

Power—External power adapter with 12V/0.5A DC output must support 100/240 V and 50/60 Hz inputs.

The power port is where you will connect the power adapter.

Side Panels

There is a physical security slot located on the side of the Switch. The security slot is where you can attach a lock to protect the Switch from theft.

Placement Options

Set the Switch on its four rubber feet, or mount the Switch on a wall.

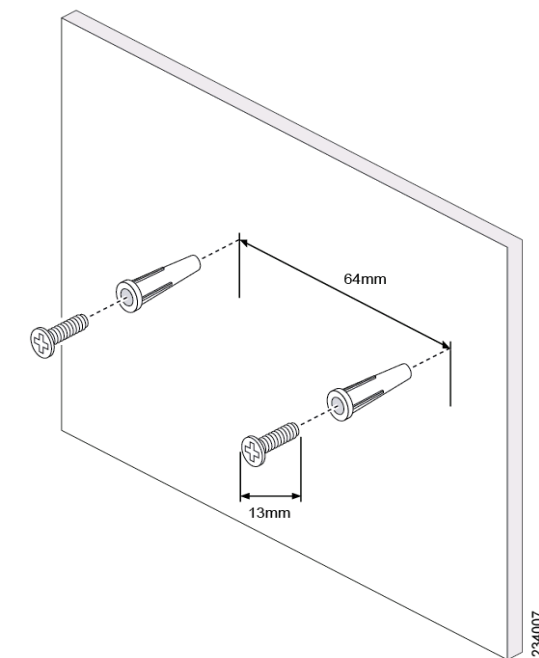
The Switch offers two wall-mount slots, which are the two crisscross slots on the bottom panel. The measurement between the two slots is 2.52 inches (64 mm).

Before mounting the switch onto a wall, it is important to consider the following:

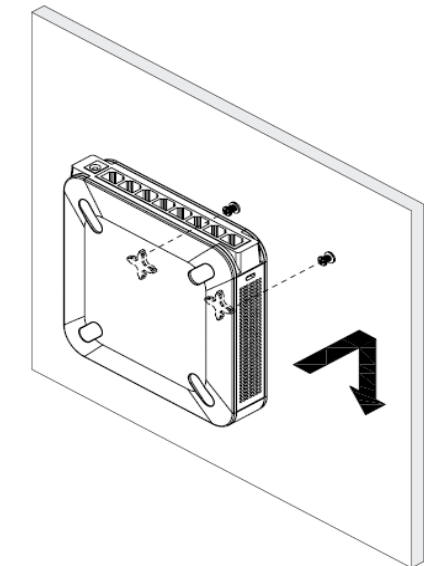
- Ensure the wall is strong enough to support the switch, a minimum of 1/2" of sheet rock is recommended.
- Do not operate the switch in an area that has reduced air flow, or exceeds an ambient temperature of 104° (40°C).
- The switch can be mounted either horizontal or vertical.
- Mounting screws should have a head 5.5mm wide, 2mm deep, and the shaft of the screw should be at least 13mm long and 2.9mm wide.

To use the wall-mount option, follow these instructions:

STEP 1 The wall-mount slots are two crisscross slots on the Switch's bottom panel. Attach two screws to the wall 64mm apart.

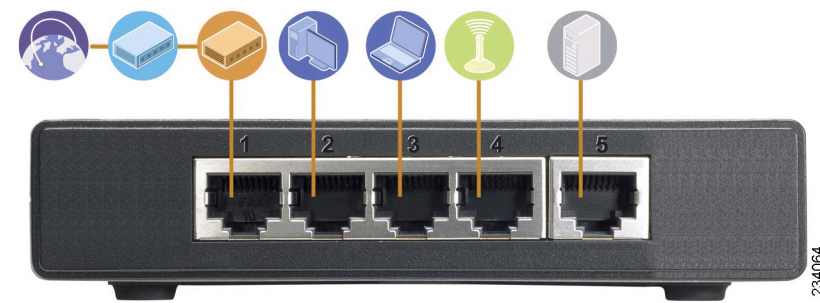


STEP 2 Maneuver the Switch to insert the screws into the two slots, then slide the switch downward onto the screws.



2 Typical Installation Scenario

The application diagram shown here is an example of a typical network configuration.



When you connect your network devices, make sure you don't exceed the maximum cabling distances, which are listed in the following table:

From	To	Maximum Distance
Switch	Switch	100 meters (328 feet)
Switch	Computer	100 meters (328 feet)


3 Installation

Perform the steps in this section to install the hardware.

STEP 1 Connect a Category 5 Ethernet network cable to one of the numbered ports on the Switch. Connect the other end to a computer or other network device.

STEP 2 Repeat step 1 to connect additional devices.

STEP 3 Connect the supplied power adapter to the power port on the Switch's back panel. Plug the other end of the adapter into an electrical outlet.

CAUTION  Make sure you use the power adapter included with the Switch. Using a different power adapter may damage the Switch.

STEP 4 Power on the devices connected to the Switch. LEDs will come on for ports connected to powered devices.

Congratulations! The installation of the 10/100/1000 Switch is complete!

4 Specifications

The following table lists the specifications for the SD2005 10/100/1000 Ethernet Switch.

Item	Specification
Model	SD2005
Standards	IEEE 802.3, 802.3u, 802.3x, 802.3ab
Ports	5 RJ-45 10/100/1000 Mbps ports
Cabling Type	Cat5e
LEDs	System, Link/Act 1 through 5
Security Feature	Security Slot
Dimensions	WxHxD 5.51" x 1.31" x 5.51" 140x33.35x140 mm
Unit Weight	0.606 lbs (0.275 kg)
Power	DC12V/5A
Certification	FCC Class B, CE
Operating Temperature	0°C to 40°C (32°F to 104°F)
Storage Temperature	-40°C to 70°C (-40°F to 158°F)
Operating Humidity	20 to 95% Non-Condensing
Storage Humidity	5% to 90% Non-Condensing


5 Where to Go From Here

Resource	Location
Customer Support	www.cisco.com/web/products/linksys/index.html
End User License Agreement	www.cisco.com/web/products/linksys/index.html
Regulatory Compliance and Safety Information	www.cisco.com/web/products/linksys/index.html
Warranty Information	www.cisco.com/web/products/linksys/index.html
Cisco Partner Central site for Small Business	http://www.cisco.com/web/partners/sell/smb/

Americas Headquarters
 Cisco Systems, Inc.
 170 West Tasman Drive
 San Jose, CA 95134-1706
 USA
<http://www.cisco.com>
 Tel: 408 526-4000
 800 553-NETS (6387)
 Fax: 408 527-0883



Cisco, Cisco Systems, the Cisco logo, and the Cisco Systems logo are registered trademarks or trademarks of Cisco Systems, Inc. and/or its affiliates in the United States and certain other countries. All other trademarks mentioned in this document or Website are the property of their respective owners. The use of the word partner does not imply a partnership relationship between Cisco and any other company. (0705R)

© 2008 Cisco Systems, Inc. All rights reserved.
 Printed in the USA on recycled paper containing 10% postconsumer waste.