

Smart Building Technology and Hybrid Work Solutions

# Cisco Talent and Collaboration Centers

Medium Collaboration Room - Single Display Design Guide



# Design Guide

## Medium Collaboration Room - Single Display

### Overview and Intent

This document provides guidance on how to effectively design a Medium Collaboration Room - Single Display.

This design brings space layout, technology, and furnishings together to create an optimal experience for those present locally and for remote attendees.

Each customer project is unique. Thus, it is important to involve local facilities teams, workplace design resources, architects and space designers, IT, and a Cisco-certified integrator. The collective goal is to finalize the details of any design, verify the applicability and address any local concerns – electrical/mechanical, orientation and location of the room within the floor plan, accessibility, circulation, and external factors such as noise, light, and temperature.

### Room Description

The Medium Collaboration Room - Single Display is a great solution when wall space is at a premium. Providing ample screen space for both video and content, when combined with a tapered table, everyone remains visible to remote participants.

#### Supported Collaboration Activities

Information Sharing 

Brainstorming

Team Building

Decision Making 

### Table of Contents

# Visualization of key Cisco elements

## Medium Collaboration Room - Single Display



Single 75" display

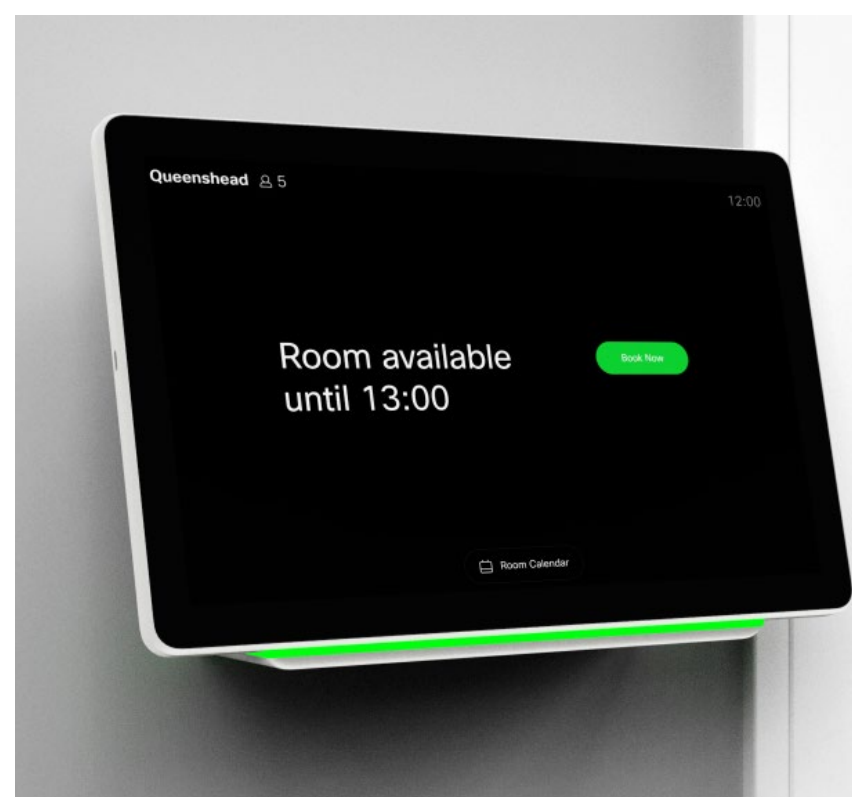
LG / Panasonic / Samsung / Sony



Cisco Room Kit EQ



Cisco Table  
Microphones (x 2)



Cisco Room Navigator  
for Wall



Cisco Room Navigator  
for Table

# Certified Third Party Displays

## Medium Collaboration Room - Single Display



Webex certified displays have been tested for compatibility and robustness of their video interfaces, optical characteristics, and basic security practices.

When connected to a Cisco collaboration device they will automatically reconfigure to the optimal configuration already tested and verified.

For up to date information on certified and compatible Cisco collaboration device partner offers, click on the link below.

Vendor	Product	Firmware Version
Samsung	QPR-8K	1110.2
Samsung	QMR	2151.0
Samsung	QBR	2151.0
Samsung	Flip 2.0	1080.7
Panasonic	EQ1	1.50 Cu
LG	UH5F-H	03.02.00
LG	UL3G	03.12.80
LG	UL3J	03.08.41
Sony	BZ30J, BU30J, BZ35J, BU35J, BZ40H, BU40H, BZ40J, BU40J	6.5929

# Video Device Mounting Options

## Medium Collaboration Room - Single Display

There are two mounting options for the video device in the Medium Collaboration Room - Single Display, directly on the wall or leveraging an A/V compatible credenza. Several factors will go into determining which option is best.

### Option 1: Wall Mount

Wall Mounted - Requires wall to be blocked and electrical and data to be elevated. Specific wall mount hardware must be determined based on the weight of the displays that are selected.



### Option 2: Credenza Option

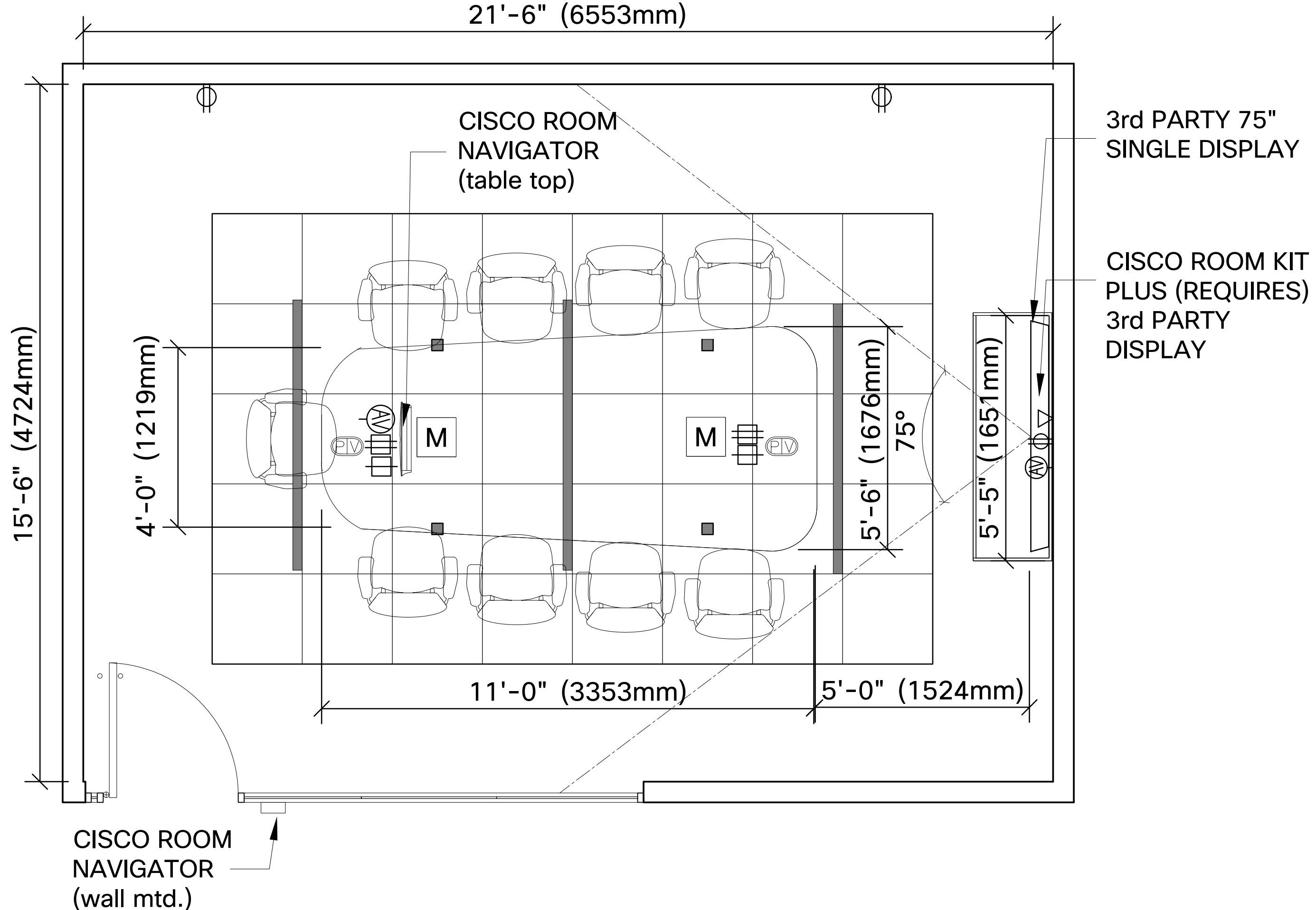
A/V compatible credenza - Freestanding and fully integrated cabinets available from a number of specialized vendors eliminate the requirement for the wall to be blocked and electrical moved. Perfect for new and retrofit installations, allowing for quick and efficient installation.



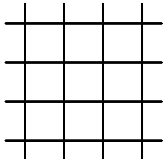
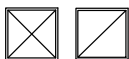



Note: Actual credenza size to be determined based on width of display.

# Composite Plan







## Medium Collaboration Room - Single Display



### Graphics Symbols

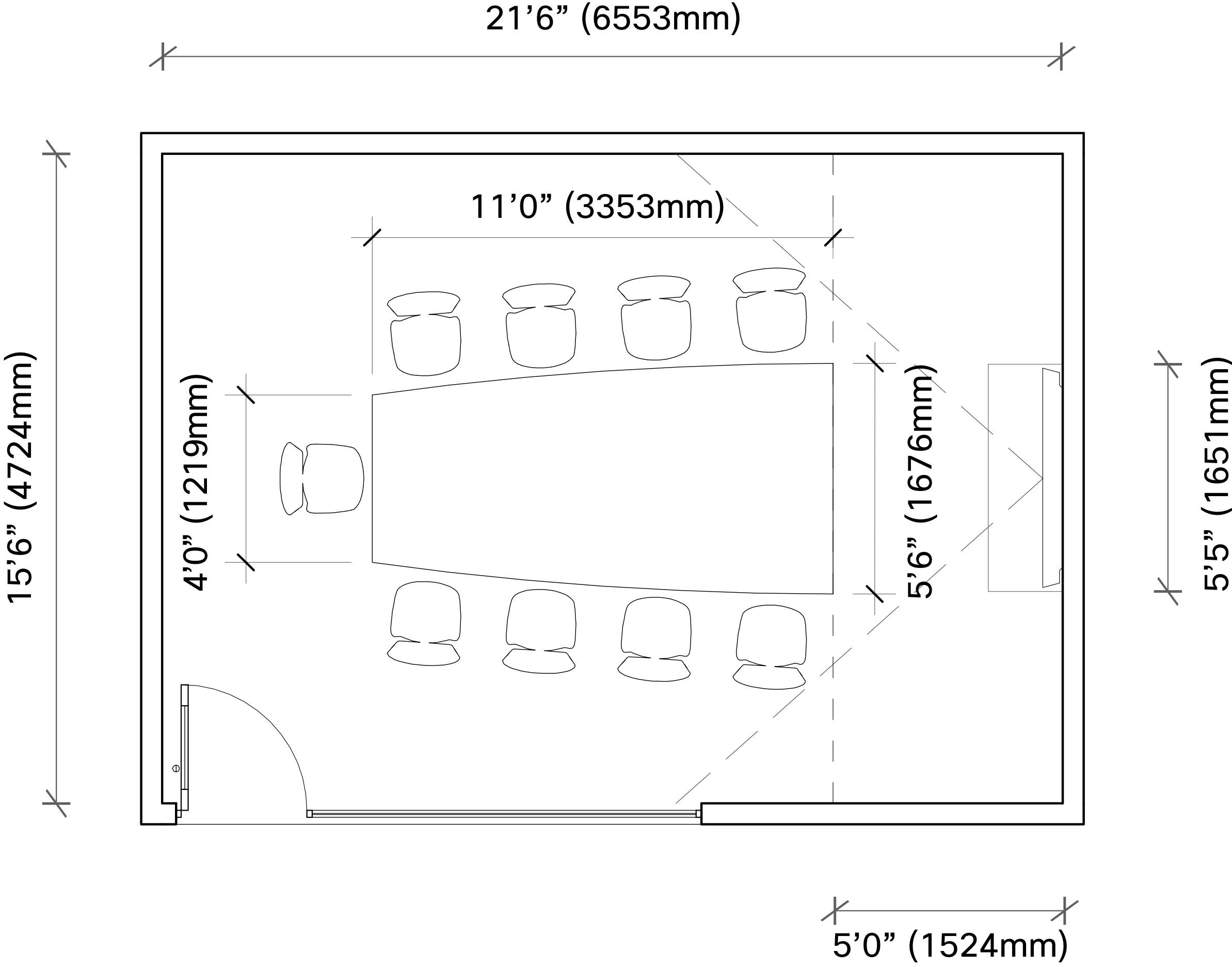
-  ACOUSTICAL CEILING AND GRID
-  HVAC DIFFUSERS (T.B.D.) - SHOWN AS EXAMPLE ONLY
- LIGHT FIXTURES**
-  LIGHT FIXTURES
- FURNITURE SYSTEMS MOUNTED DEVICES**
-  DUPLEX RECEPTACLE
-  DATA RECEPTACLE

### POWER AND COMMUNICATION

- WALL / CEILING / FLOOR MOUNTED DEVICES
-  DUPLEX RECEPTACLE
  -  DATA RECEPTACLE
  -  LIGHT SWITCH
  -  AV RECEPTACLE
  -  TABLE MOUNTED MICROPHONE
  -  COMBINATION POWER & VOICE / DATA INFEEED

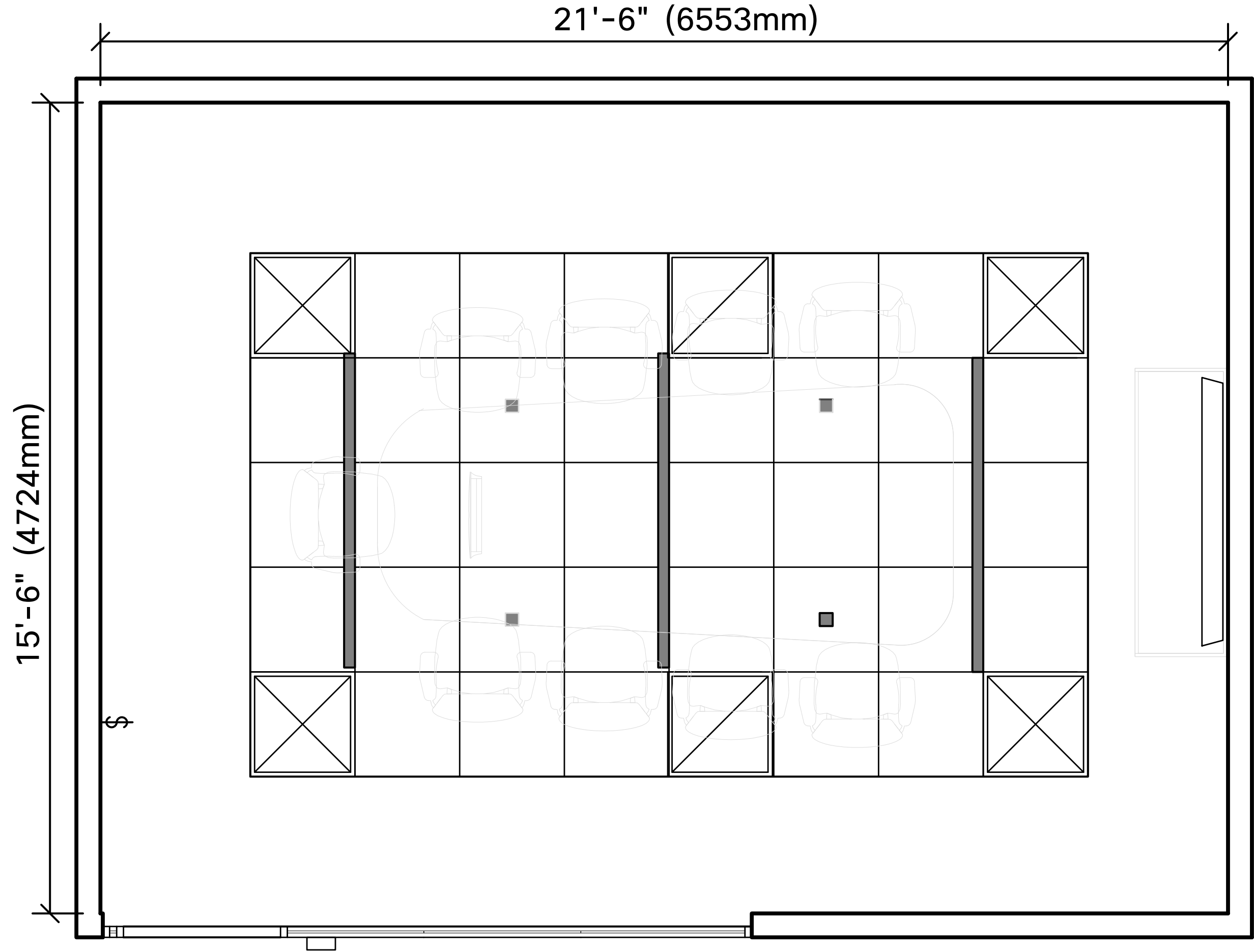
# Room Layout

## Medium Collaboration Room - Single Display

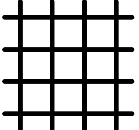


# Reflective Ceiling Plan

## Medium Collaboration Room - Single Display



### Graphics Symbols

 ACOUSTICAL CEILING AND GRID

 HVAC DIFFUSERS (T.B.D.) - SHOWN AS EXAMPLE ONLY

LIGHT FIXTURES

 LIGHT FIXTURES

FURNITURE SYSTEMS MOUNTED DEVICES

 DUPLEX RECEPTACLE

 DATA RECEPTACLE

POWER AND COMMUNICATION

WALL / CEILING / FLOOR MOUNTED DEVICES

 DUPLEX RECEPTACLE

 DATA RECEPTACLE

 LIGHT SWITCH

 AV RECEPTACLE

 TABLE MOUNTED MICROPHONE

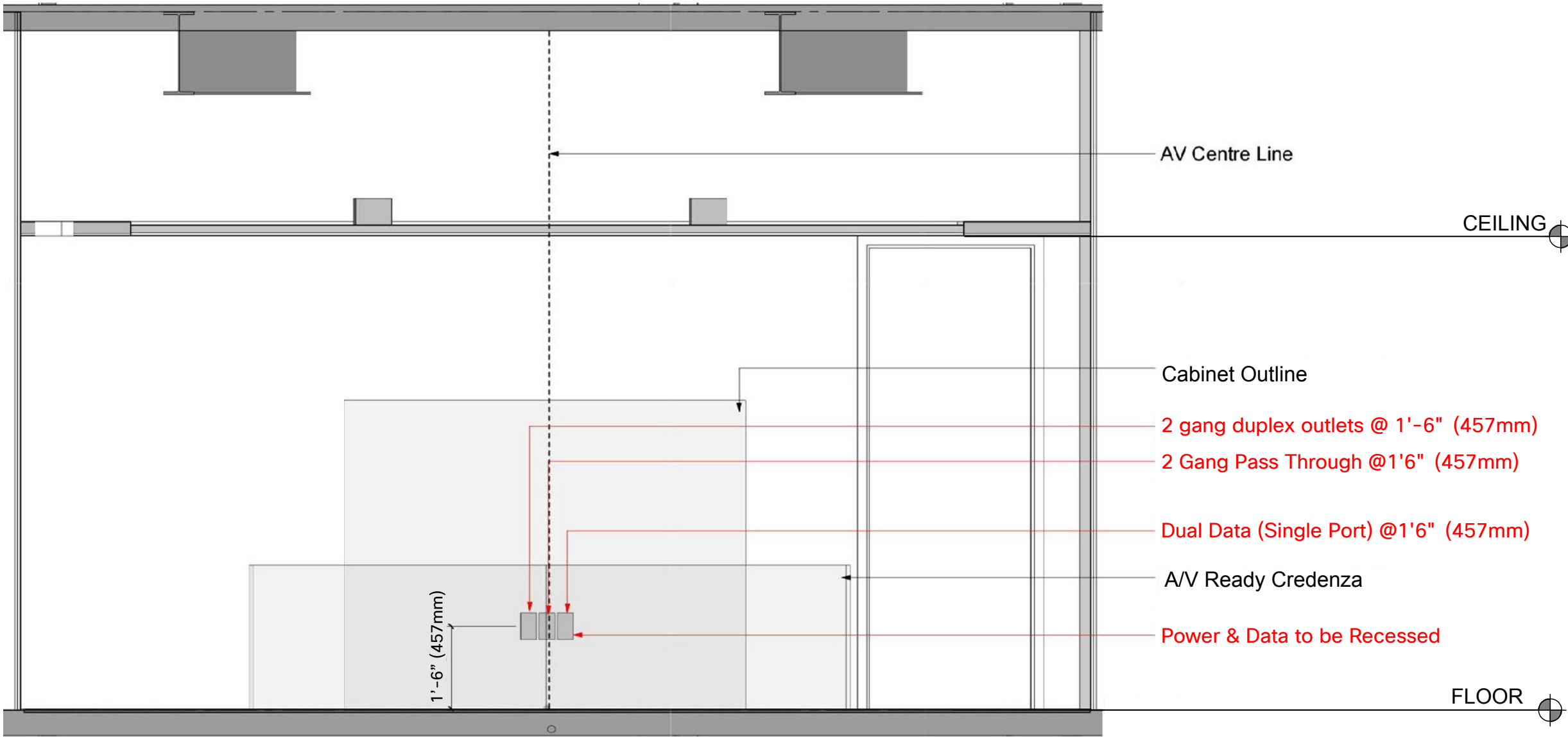
 COMBINATION POWER & VOICE / DATA INFEEED



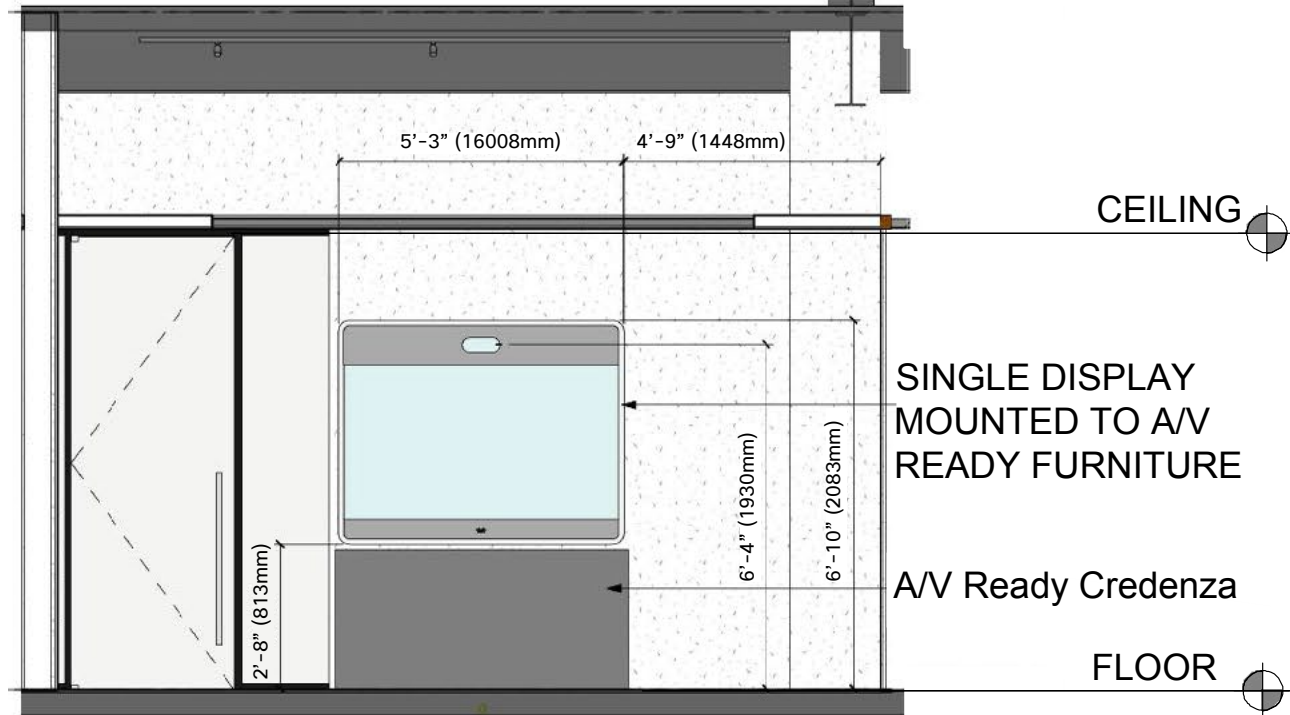
# Room Elevations

## Medium Collaboration Room - Single Display (Credenza Option)

### Conduit Elevation



### Front Elevation



Note: Video Equipment Can Be Mounted Directly On The Wall With A Mounting Kit, or Can Be Secured to A/V Ready Furniture Solution (preferred)

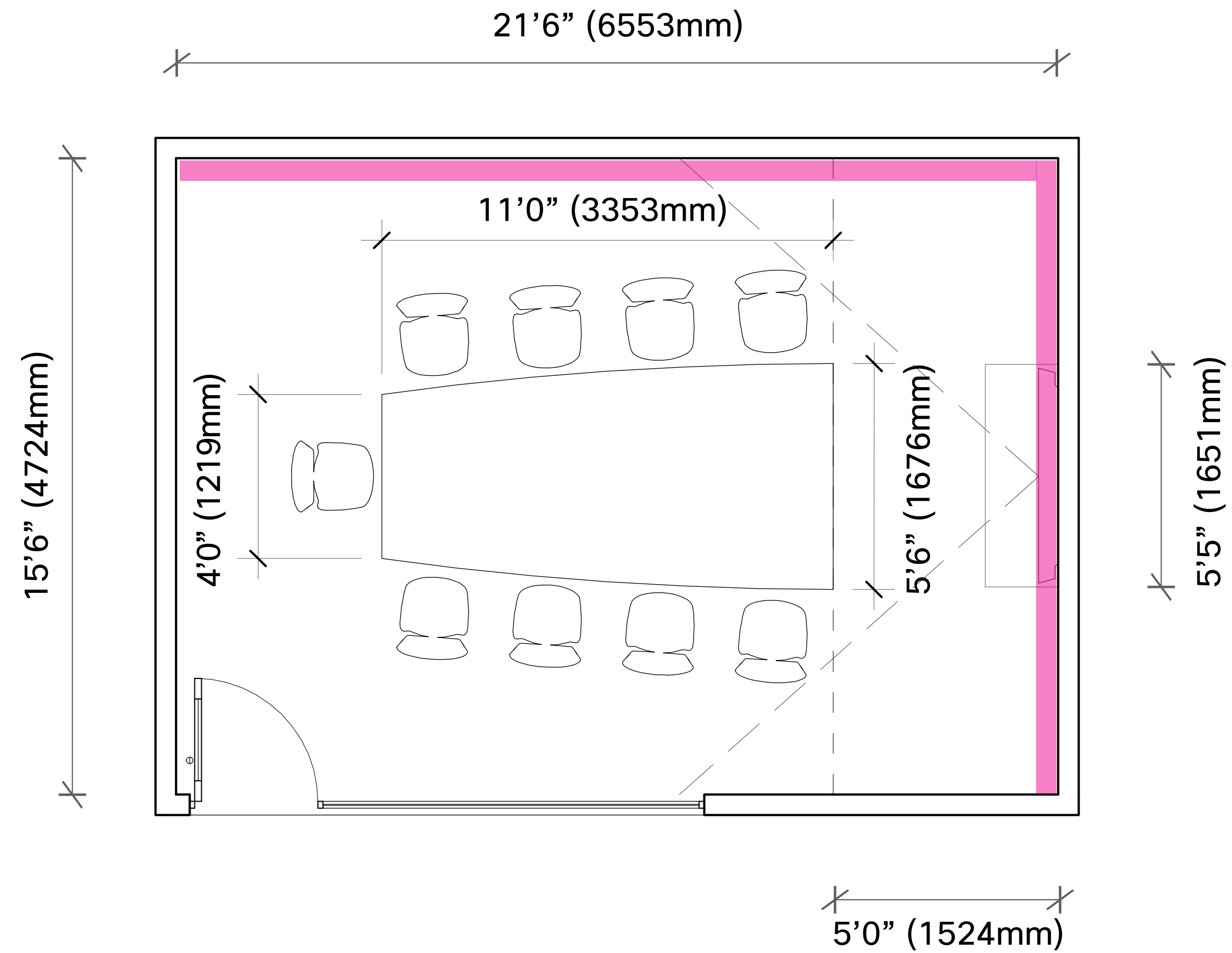
### Side Elevation



Note: Conduit Between Device and Table Required For Table Microphones & A/V Cables

# Acoustical Treatment

## Medium Collaboration Room - Single Display



# Power & Data

## Medium Collaboration Room - Single Display

---

### General Specifications

Power and data requirements need to be verified for each project. Provide video device power and data even if the project plan does not include it on day one. Based on the design of this space, core drills and floor boxes will not be required.

### Power & Data

Provide two (2) data jacks and two (2) duplex outlets on the wall behind the video device. If credenza option is used then power and data can be at standard height, per local code. If wall mounted option is used then both power and data should be recessed with the location either center of the wall mount, or off center, away from the door and sidelight (so it is not visible). Specific location should be confirmed with mount provider.

### Power in Tabletop

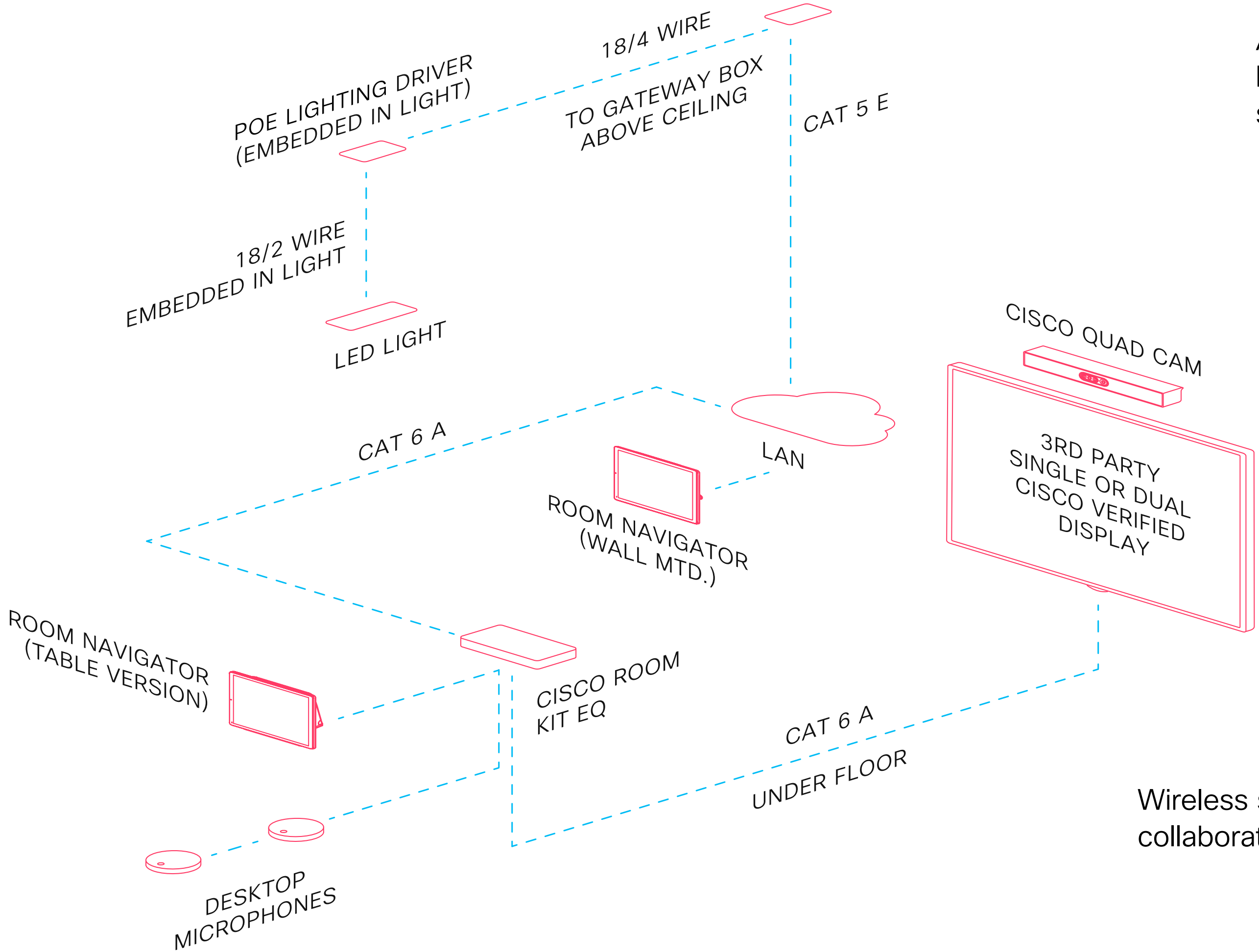
User power should be surface mounted in tabletop. If pop-ups or table wells are used it is important to verify that they can accommodate all laptop power supplies. Provide shared power – 1 power port for every two seats.

# Exploded IT Diagram

## Medium Collaboration Room - Single Display

Occupancy sensing for space / room booking insights and energy optimization for sustainability goals

Automated POE lighting for LEED & sustainability goals

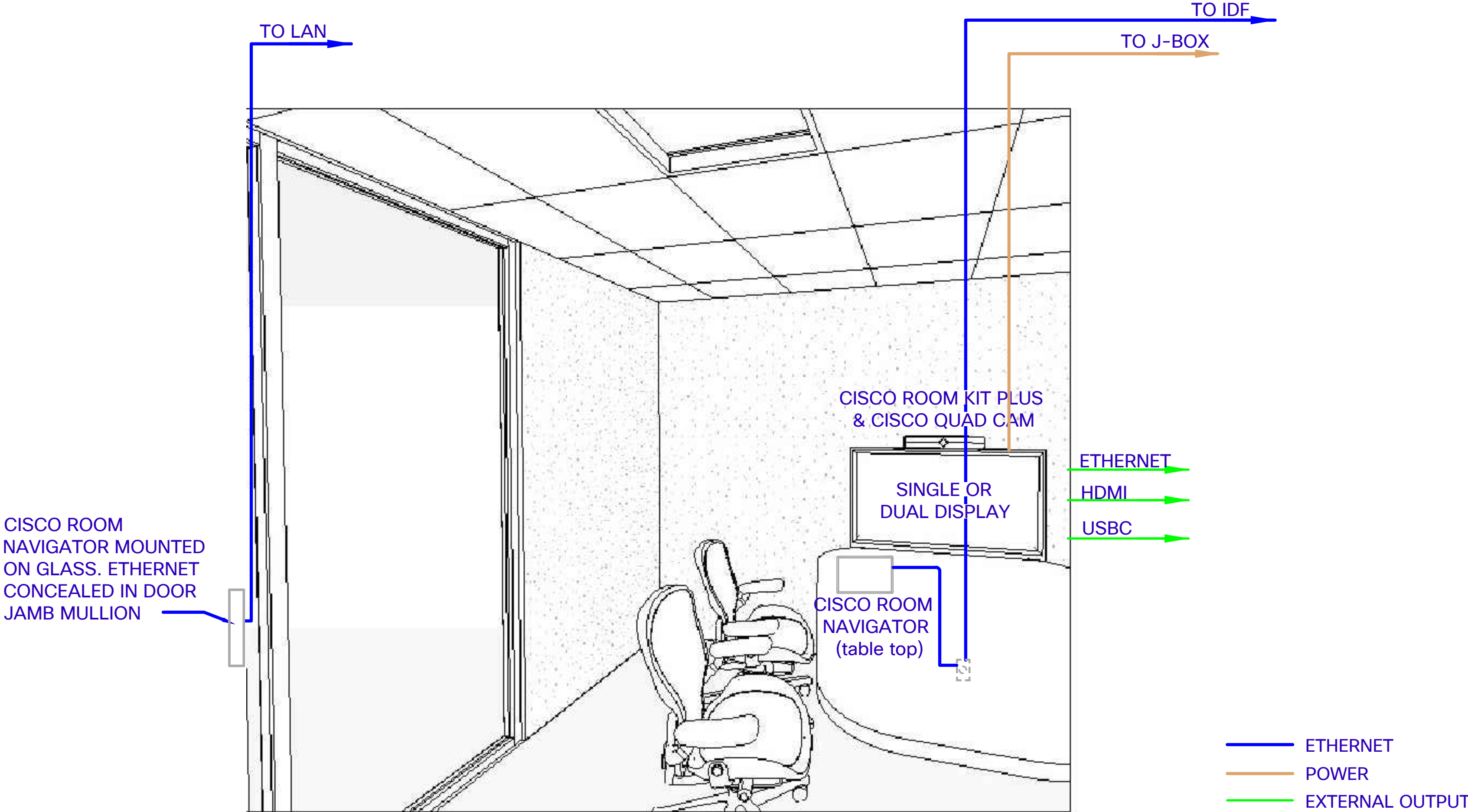


Consideration: USBC charging & convince outlets on the tabletop for occupant convenience

Wireless sharing for ease of collaboration

# Connectivity View

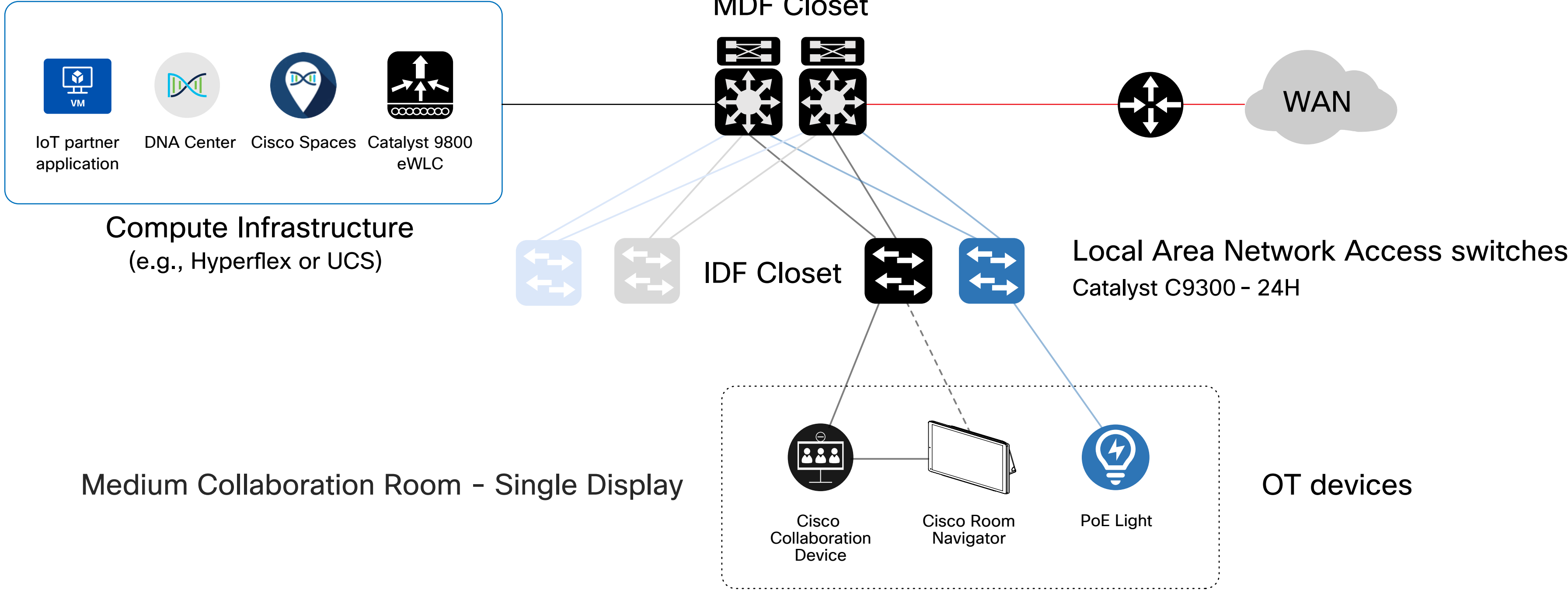
## Medium Collaboration Room - Single Display



# IT/OT Reference Architectures

## Medium Collaboration Room - Single Display

- Separate IT and OT network layout
- Port based DHCP allocation
- 90W UPoE+



- OT Network & devices
- IT Network & devices
- Alternate connectivity option

# IT/OT Bill of Material

## Medium Collaboration Room - Single Display

---

---

### Cisco Products

- **CS-KITPLUS-K9** Cisco Room Kit Plus
  - **CS-MIC-TABLE-J** Tabletop Mic (add qty 2 as option)
  - **S-T10-TS+** Cisco Room Navigator for Table (included)
- **CS-T10-WM-K9=** Cisco Room Navigator for Wall

---

### Non-Cisco peripherals

- Single 75" Video Displays
- 

---

### IOT Considerations

- IAQ coming from the Cisco Room Navigator, No additional IoT IAQ
  - Occupancy sensing is coming from the Cisco Endpoints
  - Suggested lighting specifications: 220LPW raw, 140LPW delivered
  - Each Medium Collaboration room POE lights being power by 4 ports on the ceiling
  - Traditional DC Wall Switch
  - Ensure device is not connected to ASHRAE 90.1 outlet
- 

---

### External microphones and speakers

- Mic and speakers are embedded in the Cisco Endpoints, no additional mic or speakers required
-

# Commissioning-User Acceptance Testing (UAT) Criteria (Sample)

## Medium Collaboration Room - Single Display

---

### OT/Space Testing

- Verify manual adjustment of lights, shades and environmental controls are operational from wall controls
- Confirm lighting occupancy sensor is functional
- Check any tabletop power and data functionality
- Verify any smart buildings integrations are working properly

### IT Testing

- Internet connectivity of Cisco Collaboration device
- Initiate test calls on video endpoint (via Room Navigator, Webex app and voice controls)
- Validate environmental metrics are being displayed on collaboration device and Room Navigator
- Confirm help videos are loaded
- Confirm that Room Navigator - Wall is powered and that booking function is working properly. Check that booking function is also available within the room via the Room Navigator-Table version
- Verify the Cisco Smart Workspaces display is showing proper presence status





## Resources

Guide: Best Practices for Creating Effective Video-enabled Rooms

---

© 2023 Cisco and/or its affiliates. All rights reserved. Cisco, the Cisco logo, Webex by Cisco, and Webex are trademarks or registered trademarks of Cisco and/or its affiliates in the U.S. and other countries. To view a list of Cisco trademarks, see the Trademarks page on the Cisco website. Third-party trademarks mentioned are the property of their respective owners. The use of the word "partner" does not imply a partnership relationship between Cisco and any other company. (2106R)

Version 8 (January 19, 2023) © 2023 Cisco and/or its affiliates. All rights reserved.

