

## Prisma D-PON System 1550 nm Downstream Transmitter and EDFA

The Prisma<sup>®</sup> D-PON System is a fiber-to-the-home (FTTH) solution specifically designed for RF and DOCSIS-based service providers. This system provides the benefits of a FTTH passive optical network (PON) while maintaining existing HFC back-office systems, such as the billing support system (BSS), operations support system (OSS), broadcast video, narrowcast video, switched digital video, VOD, DOCSIS data, DOCSIS VOIP, and VDOC. The D-PON system allows for incremental FTTH growth on an adaptable, low-maintenance architecture, while using the existing back-office infrastructure and cable-friendly customer premise equipment (CPE).

The solution consists of the following components:

- Prisma D-PON 1550 nm Downstream Transmitter
- Prisma EDFA Optical Amplifier
- Prisma D-PON Optical Network Terminal (ONT) (data sheet part number 7017049)
- Prisma D-PON Upstream Receiver (data sheet part number 7017049)
- Prisma D-PON WDM LGX Modules (data sheet part number 7017620)

The Prisma D-PON Downstream Optical Transmitter and Optical Amplifier supply the downstream optical signal for the Prisma D-PON solution.

**Figure 1.** 1550 nm Downstream Transmitter (Left), 4-Port EDFA (Center), and 8-Port EDFA (Right)



**Applications**

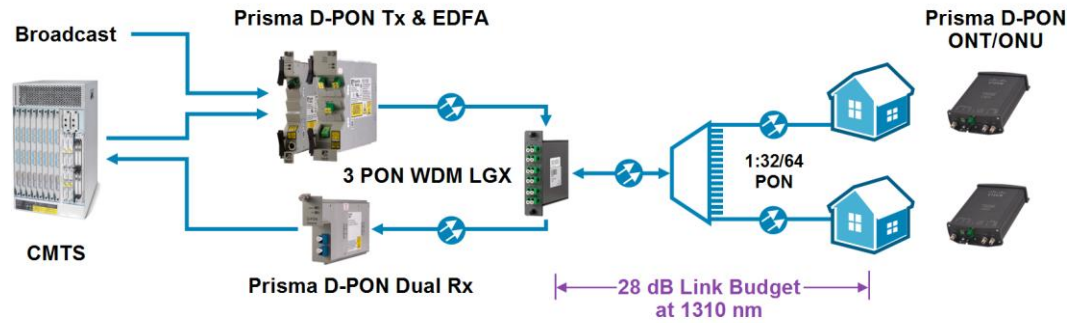
- Residential FTTH (RF video, DOCSIS voice and DOCSIS data)
- MDU FTTH (RF video, DOCSIS voice and DOCSIS data)
- RF Video overlay for Commercial xPON

**Primary Features**

- 1 GHz full loading (78 Analog / 75 QAM at -6 dB)
- SBS tuning for EDFA driving 20 km fiber
- CNR 48 dB at -3.5 dBm received power
- Enables 25 dB PON downstream link budget at 1550 nm
- Supports DOCSIS 3.0 four- to eight-channel 256 QAM downstream channel bonding
- Multiple setup and control options via Intelligent Communications Interface Module (ICIM)

**System Diagram**

Figure 2. Prisma D-PON System Diagram



## Product Specifications

**Table 1.** Prisma D-PON 1550 nm Downstream Transmitter

Specification	Value	Comments
<b>Optical</b>		
Wavelength	1550 - 1560 nm	
Output Power (minimum)	8 dBm	
SBS Threshold	20.5 dBm	
SBS Maximum Fiber Length	20 km	
Output Connector Type	SC/APC	
<b>Electrical</b>		
RF Bandwidth	50 - 1002 MHz	
Number of inputs	1 female F-type connector (broadcast) 1 female F-type connector (narrowcast)	On Prisma II chassis
Required RF Input Level (per channel)	21 dBmV (broadcast) 27 dBmV (narrowcast)	
Frequency Response 45 MHz – 1002 MHz	± 0.5 dB (46 - 550 MHz) ± 0.75 dB (550 - 1002 MHz)	
RF Input Return Loss	16 dB	
LEDs	1 Laser 1 Alarm	
Power Consumption	< 15 W DC	
<b>Environmental</b>		
Operating temperature	-40 to 149°F (-40 to 65°C)	
Storage temperature	-40 to 149°F (-40 to 65°C)	
Operating humidity	5% to 95%, non-condensing	
<b>Mechanical</b>		
Dimensions (W x H x D)	1.06 in. x 7.6 in. x 9.8 in. (2.7 cm x 19.3 cm x 24.9 cm)	
Weight	2.0 lbs. (0.9 kg)	
<b>Regulatory and SafetyMechanical</b>		
Dimensions (W x H x D)	1.06 in. x 7.6 in. x 9.8 in. (2.7 cm x 19.3 cm x 24.9 cm)	
Weight	2.0 lbs. (0.9 kg)	

**Table 2.** Prisma D-PON EDFA

Specification	Value	Comments
<b>Optical</b>		
Wavelength	1550 - 1560 nm	
Input Connector Type	SC/APC	Other options available
Input Power	0 dBm (minimum)	
Number of outputs	4 LC/APC (1 x 4 EDFA) 8 LC/APC (1 x 8 EDFA)	Other options available
Optical Output Power	+ 21.5 dBm	+15 dBm in service mode
Output Power Uniformity (port-to-port)	1 dB	
Noise Figure	5.9 dB	
Return Loss	> 50 dB	
<b>Electrical</b>		
LEDs	1 Laser 1 Alarm	
Power Consumption (max)	< 30 W DC	
<b>Environmental</b>		
Operating temperature	32 to 122°F (0 to 50°C)	
Storage temperature	-40 to 149°F (-40 to 65°C)	
Operating humidity	5% to 95%, non-condensing	
<b>Mechanical</b>		
Dimensions (1 x 4) (W x H x D)	2.1 in. x 7.6 in. x 9.8 in. (5.3 cm x 19.3 cm x 24.9 cm)	
Weight (1 x 4)	3.5 lbs. (1.6 kg)	
Dimensions (1 x 8) (W x H x D)	2.1 in. x 7.6 in. x 9.8 in. (5.3 cm x 19.3 cm x 24.9 cm)	
Weight (1 x 8)	3.5 lbs. (1.6 kg)	

**Table 3.** Prisma D-PON Downstream System Performance

Specification	Value	Comments
NTSC Channel Loading	78 NTSC & 75 QAM @ -6 dBc	For Upstream performance refer to Prisma D-PON ONT and Receiver data sheet, part number 7017049.
Distortion Performance	CNR - 48 CSO - 55 CTB - 55	CNR typical @ -3.5 dBm optical receive power

**Table 4.** Regulatory Compliance

Specification	Description
Regulatory and Safety Approvals	As required per country where the Prisma D-PON Downstream Transmitter and EDFA will be used

**Note:** Downstream System Performance with Prisma D-PON Tx, Prisma D-PON EDFA, 25 dB optical link and D-PON iW-2030 ONT. Optical link consists of WDM, 20 km fiber, and 1 x 32 optical splitter.

## Prisma D-PON System Ordering Information \*

**Table 5.** Transmission Optics

Description	Part Number
(P2-15TXF-08EM-GHZ-SA-5060) 1550 Tx, NT78, 8 dBm, SA, 1550-60	737217
(P2-EDFA-FMOD-4X21.5-LA 2-WIDE) Opt Amp, 4 x 21.5 dBm, SA-LA	4028553
(P2-EDFA-FMOD-8X21.5-LA 2-WIDE) Opt Amp, 8 x 21.5 dBm, SA-LA	4029654
(P2-PS-M-A-S) Prisma II Power Supply	4012765
Kit, Prisma II Module Blank (6 pk)	716307
(P2-ICIM-MSO) ICIM, MSO version	4025187

**Table 6.** Headend Receivers

Description	Part Number
(P2-HD-RXR-HG-SA) D-PON Wideband HD Dual Rev Rx, 5-90 MHz, HG, SA	4025368
(P2-HM) HD Host Module	4008281

**Table 7.** Passives

Description	Part Number
LGX-BWDM-DPON-1310/1490/1550/1610 LA-TRPL	4028628
LGX-BWDM-DPON-1310/1550/1610 LA-TRPL	4028627
LGX Chassis, 4 RU, 12 slot, 72 pos Bulkhead Conn, Unloaded	750182

**Table 8.** Subscriber ONTs

Description	Part Number
D-PON ONT iW-2030 (wideband, 1610 nm)	4025031.1610
D-PON ONT EU iW-2030 (EU wideband, 1610 nm)	4030723.1610

**Table 9.** ONT Accessories

Description	Part Number
100-120 VAC / 50-60 Hz, 12 VDC / 1 A Wall-Mount PS - NA, Japan	4015452
PS, 12VDC/1A, 100-120 VAC / 50-60 Hz, Wall-Mount F-Conn for NA and Japan	4028842
PS, 12 VDC / 1 A, 230 VAC / 50 Hz, Wall-Mount, Linear Switching for Australia	4018797
220 VAC / 50-60 Hz, 12 VDC / 1 A Wall-Mount PS - Korea	4015458
230-240 VAC / 50-60 Hz, 12 VDC / 1 A Wall-Mount PS - UK	4018794
PS, 12 VDC / 1 A, 230 VAC / 50-60 Hz, Wall-Mount, Linear Switching for Europe	4015453
Indoor fiber splice enclosure and cover	4029691

\* To order fiber optic jumpers for headend components as needed, please see *Fiber Optic Jumper data sheet*, part number 7001079.

## Service and Support

Using the Cisco Lifecycle Services approach, Cisco and its partners provide a broad portfolio of end-to-end services and support that can help increase your network's business value and return on investment. This approach defines the minimum set of activities needed by technology and by network complexity to help you successfully deploy and operate Cisco technologies and optimize their performance throughout the lifecycle of your network.

## For More Information

To learn more about the Cisco Prisma D-PON System, contact your local account representative.

To subscribe to receive end-of-life/end-of-sale information, go to: <http://www.cisco.com/cgi-bin/Support/FieldNoticeTool/field-notice>.



Cisco, Cisco Systems, the Cisco logo, the Cisco Systems logo, and Prisma are registered trademarks or trademarks of Cisco Systems, Inc. and/or its affiliates in the U.S. and certain other countries.

DOCSIS is a registered trademark of Cable Television Laboratories, Inc.

*All other trademarks mentioned in this document are the property of their respective owners.*

Specifications and product availability are subject to change without notice.

© 2010 Cisco Systems, Inc. All rights reserved.

Cisco Systems, Inc.  
1-800-722-2009 or 678-277-1120  
[www.cisco.com](http://www.cisco.com)

Part Number 7016765 Rev B  
March 2010