

Line Extender III GaAs FET 750MHz with 40/51 MHz Split



22877

DESCRIPTION

The Line Extender III (LE III) family of RF amplifiers provide optimum performance and reliability for broadband network applications. All LE III amplifier modules offer fifteen amp current carrying capacity, and are pre-configured with duplexers and reverse amplifier for optimum reverse performance.

The LE III GaAs FET amplifier module incorporates robust GaAs FET gain block technology, which provides significant improvements in distortion performance.

LE III can be field configured with a variety of options to meet specific requirements.

For applications where output level control is not required, the interstage is typically configured with a stand alone Interstage Equalizer (ISEQ).

For basic output level control in aerial plant applications, a combination Thermal Compensator/ ISEQ is available.

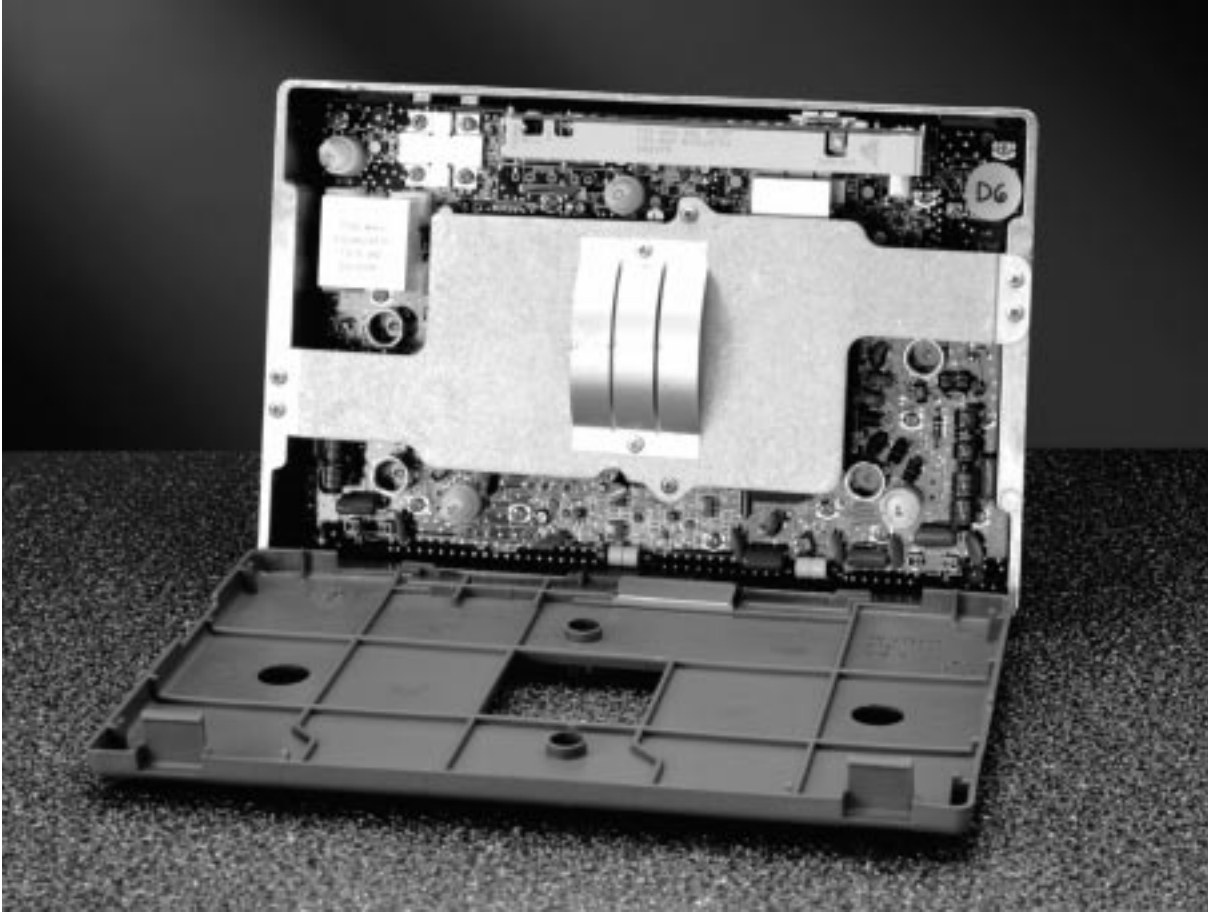
For the most accurate degree of output level control in both aerial

and underground plant, a combination AGC/ ISEQ is the desired option.

The LE III GaAs FET amplifier module provides one (bridger level) output.

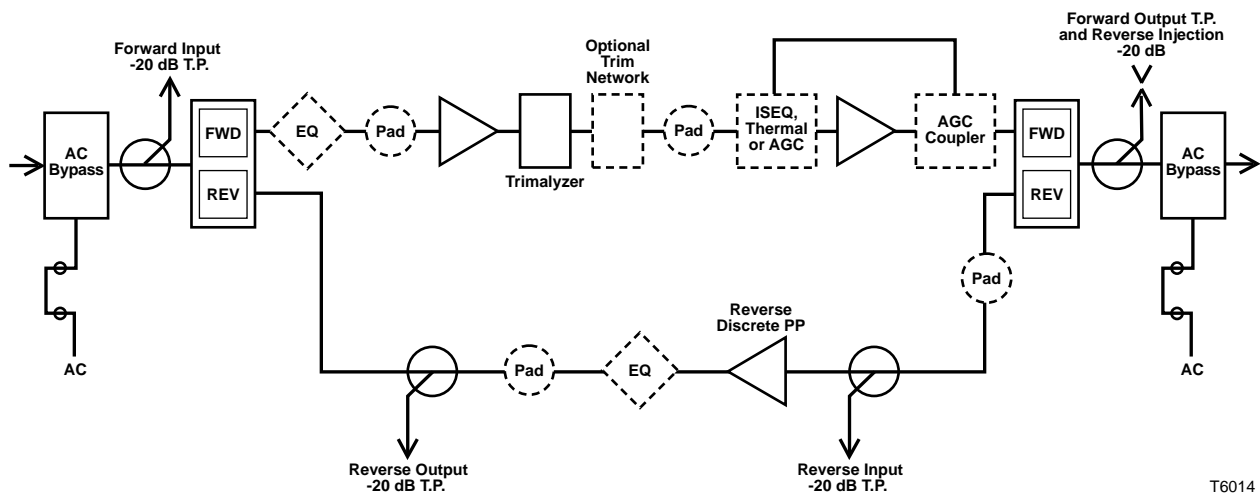
FEATURES

- 60 and 90 V AC powering capability
- GaAs FET gain block technology offers superior distortion performance
- 15 ampere current capacity (steady state) and 25 ampere surge survivability
- Integrated reverse amplifier, with optimized duplex filter group delay for forward and reverse paths
- Reverse input test point and input pad allowing optimum reverse path alignment
- Unitized design (amplifier and power supply in a single module) enables simplified and faster maintenance
- High efficiency, transformer-less power supply lowers system operating cost
- Directional Coupler RF testpoints provide optimum accuracy
- Surge Resistant™ Circuitry ensures protection without fuses or other nuisance failure causing device



22878

LINE EXTENDER III-GaAs FET — 5-40/51-750 MHz



T6014

LINE EXTENDER III-GaAs FET – 5-40/51-750 MHZ

General Station Performance Data

	Units	Forward	Reverse
Pass Band	MHz	51-750	5-40
Amplifier Type	---	GaAs FET	discrete PP
Operational Temperature Range	degrees	-40 to +140 F	-40 to +140 F
Frequency Response	dB	±0.5	±0.5
Auto Slope & Gain Range	dB	±4	N/A
Return Loss	dB	17	16
Operational AC Through Current	Amps	15	N/A
Max AC Through Current (2 hrs)	Amps	25	N/A
Hum Modulation @ 10 A (over specified frequency range)	dB	63 (51-150 MHz) 68 (151-750 MHz)	60 (5-10 MHz) 65 (11-40 MHz)
Hum Modulation @ 15 A (over specified frequency range)	dB	55 (51-150 MHz) 63 (151-750 MHz)	53 (5-10 MHz) 58 (11-40 MHz)
Current Draw @ 12 V DC	Amps	1.27	0.17
Test Points (±0.5 dB)	dB	-20	-20
Reference Output Level–High Freq.	dBmV	46 @ 750 MHz 44 @ 550 MHz	36 @ 40 MHz ⁵
Reference Output Level–Low Freq.	dBmV	36 @ 54 MHz	36 @ 5 MHz ⁵
Reference Output Tilt ¹	dB	10	0

Forward Station Performance

	Units	Manual No I/S EQ	Manual 9 dB I/S EQ	Thermal 9 dB I/S EQ	Auto 9 dB I/S EQ
Operational Gain ³	dB	37	36	30.5	27.5
Internal Tilt ² (±0.5 dB)	dB	0	+6.8	+6.8	+6.8
Noise Figure ³ @ 54 MHz	dB	6	6.5	7.5	8
Noise Figure ³ @ 750 MHz	dB	7.5	7.5	8	8

77 NTSC Channels (CW)⁴

Composite Triple Beat	dB	76	76	72	69
Cross Modulation	dB	71	71	68	65
Composite Second Order (high side)	dB	75	75	72	71

110 NTSC Channels (CW)

Composite Triple Beat	dB	67	67	64	62
Cross Modulation	dB	66	65	63	60
Composite Second Order (high side)	dB	69	69	65	64

Reverse Performance - 5 CW carriers

	Units	
Operational Gain ⁶	dB	21
Internal Tilt ² (±0.5 dB)	dB	0
Reverse Noise Figure ⁶	dB	6.5
Composite Triple Beat	dB	92
Cross Modulation	dB	84
Composite Second Order	dB	80

Delay Characteristics

Forward (Chrominance to Luminance Delay)		Reverse (Group Delay in 1.5 MHz BW)	
Freq. (MHz)	Delay (ns)	Freq. (MHz)	Delay (ns)
55.25 - 58.83	27	5.0 - 6.5	50
61.25 - 64.83	10	6.5 - 8.0	20
67.25 - 70.83	6	37.0 - 38.5	14
77.25 - 80.83	3	38.5 - 40.0	26

NOTES:

- (1) Forward reference output tilt is specified as "CABLE" tilt (as opposed to "linear" tilt).
- (2) Down tilt, the effect of cable, is represented by a (-). Up tilt, the effect of equalization, is represented by a (+).
- (3) Forward gain and noise figure with 0 dB input EQ and 1 dB input pad.
- (4) Activation of digital loading may impact analog performance.
- (5) Reverse output reference level with a 0 dB output EQ and 1 dB output pad.
- (6) Reverse gain and noise figure for station, with 0 dB reverse input pad, 0 dB reverse output EQ, and 1 dB reverse output pad.

Unless otherwise noted, the above specifications reflect typical station performance at stated reference levels in the recommended operating configuration, including the input equalizer and reverse filters where applicable. Unless otherwise noted, specifications are based on measurements made in accordance with NCTA Practices for Measurements on Cable Television Systems using standard frequency assignments and are referenced to 68°F (20°C).

Line Extender III GaAs FET — 5-40/51-750 MHz

Station Powering Data

Line Extender III GaAs FET		I DC (Amps)	AC Voltage											
			90	85	80	75	70	65	60	55	50	45	40	35
Manual / Thermal	AC Current (A)	1.44	0.36	0.38	0.40	0.41	0.43	0.45	0.49	0.52	0.54	0.58	0.63	0.71
	Power (W)		22.2	22.1	22.1	22.0	22.0	22.1	22.1	22.1	22.1	22.1	22.3	22.4
AGC	AC Current (A)	1.54	0.38	0.40	0.42	0.43	0.45	0.47	0.52	0.55	0.57	0.62	0.67	0.76
	Power (W)		23.6	23.7	23.6	23.6	23.6	23.5	23.5	23.5	23.5	23.7	23.9	24.0

Data is based on stations configured for 2-way operation.

ORDERING INFORMATION

Housing — 1 Required

- #545443 Uncoated housing, high current passing
- #545444 Coated housing, high current passing
- #548774 High current upgrade kit for LE housing (includes two seizure assemblies & two anvils)

Amplifier Module — 1 Required

- #574754 Forward & Reverse with integrated 12 V DC power supply. Power supply has 30 VAC undervoltage lockout (40 V lockout is field configurable).

Required Accessories

- Plug-in Pads (attenuators):
 - 2 required for forward (1 input, 1 interstage)
 - 1 required for reverse (1 output)
 - 1 optional for reverse (1 input)
 - 1 required for AGC option
 Available in 0.5 dB steps from 0 to 20 dB. Order Model PP-* (* denotes pad value), specify value.
- Plug-in Forward Input Equalizer, 1 required. Available in 1.5 dB steps from 0 to 28.5 dB at 750 MHz. Order Model EQ750-* (* denotes equalizer value), specify value.
- Reverse Equalizer, Variable or Fixed, 1 required (reverse output), select one of either type:

Variable Reverse Equalizers

#511075	1.5 to 4.5 dB at 40 MHz
#511295	4.5 to 7.5 dB at 40 MHz
#511298	7.5 to 12.0 dB at 40 MHz

Fixed Reverse Equalizers

Available in 1 dB steps from 1 to 12 dB at 40 MHz. Order Model EQ40S-* (* denotes equalizer value), specify value.

- One of the following interstage accessories is required for most applications:

#542378	445.25 MHz single pilot AGC with 9 dB fixed interstage equalizer
#546578	Thermal compensator with 9 dB fixed interstage equalizer
#546577	Thermal compensator with 12 dB fixed interstage equalizer
#546557	9 dB fixed interstage equalizer
#546556	12 dB fixed interstage equalizer

Optional Accessories

- #467351 230 VAC Crowbar Surge Protector
- Plug-in Cable Simulator. Simulates cable losses, creating tilt opposite that of equalizers. Use in place of forward input equalizer as needed to maintain proper output tilt in short spaced locations. Available in 1.5 dB steps from 1.5 dB to 12.0 dB cable loss at 750 MHz. Order Model CS 750-* (* denotes CS value), specify value.
- Interstage Trim Network. Type and use factor is determined by evaluating actual system frequency response. Use as needed.

Related Equipment

- #501111 Long Reach Test Point Adapter
- #143190 Cable Seizure Wrench

MECHANICAL SPECIFICATIONS

Housing Dimensions

11.5 in. L x 9.5 in. H x 4.0 in. D
292.1 mm L x 241.3 mm H x 101.6 mm D

Weight

Housing 6 lbs, 6 oz; 2.9 kg
Module 2 lbs, 13 oz; 1.3 kg

Specifications and product availability are subject to change without notice.

Scientific Atlanta and the Scientific-Atlanta logo are registered trademarks of Scientific-Atlanta, Inc.

Surge Resistant is a trademark of Scientific-Atlanta, Inc.



Scientific-Atlanta, Inc. <http://www.sciatl.com>
 United States: 4261 Communications Drive, P.O. Box 6850, Norcross, GA 30091-6850; Tel: 800-433-6222; Fax: 770-903-4617
 Canada: 7725 Lougheed Highway, Burnaby, BC V5A 4V8; Tel: 604-420-5322; Fax: 604-420-5941
 United Kingdom: Home Park Estate, Kings Langley, Herts WD4 8LZ, England; Tel: 44-923-266-133; Fax: 44-192-327-0448
 Australia: Unit 2, 2 Aquatic Drive, P.O. Box 292, Frenchs Forest, NSW 2086, Australia; Tel: 61-2-9452-3388; Fax: 61-2-9451-4432
 Singapore: 1 Claymore Drive, #08-11 Orchard Towers, Singapore 229594; Tel: 65-733-4314; Fax: 65-733-2706
 Hong Kong: Suite 56 & 57, 5/F New Henry House, 10 Ice House Street, Central, Hong Kong; Tel: 852-2522-5059; Fax: 852-2522-5624