

## Application Server V240 Platform

The V240 Application Server (V240) features four hot-swappable disks with redundant power supplies for reliable system performance. The server also has three PCI slots that comply with the PCI Local Bus Specification Revision 2.2 and support PCI hot-plug operations.

The V240 application server also features an integrated Secure Socket Layer (SSL) option on the motherboard and cooling fan trays. The standard hardware configuration features two, 1.593 GHz UltraSPARCIIIi processors, 4 GB memory, and a total of four 73-GB disks.

The V240 application server requires system release (SR) 2.7/3.7/4.2 or later. In addition, the V240 application server can be used as an Application server, an RNCS server or a TSBroadcaster.

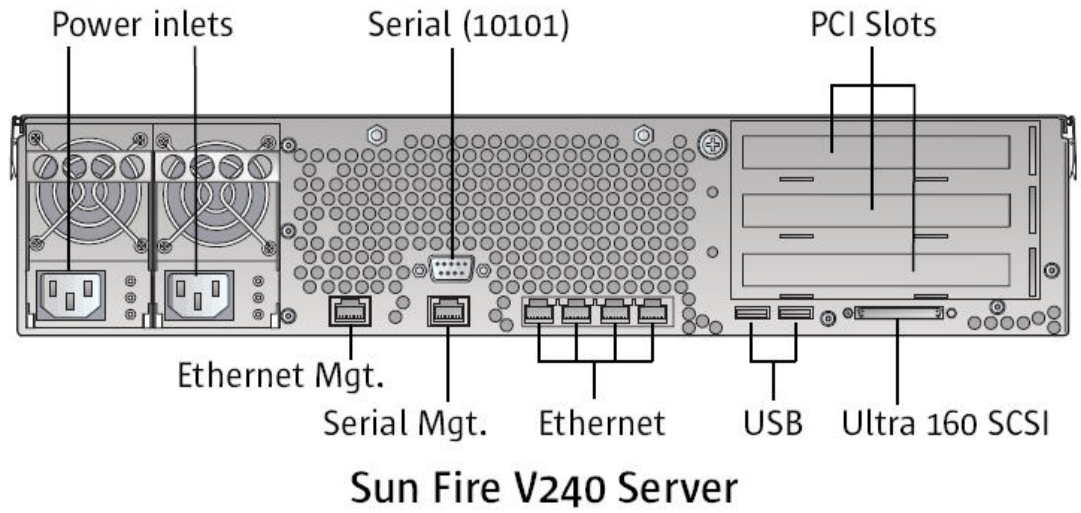
**Figure 1.** V240 Application Server (image may vary from actual product and specification)



**Table 1.** Front Panel Features

Feature	Description
Controls	Power
Drives	DVD-ROM
Indicators	Power/OK, network connectivity, errors

**Figure 2.** V240 Back Panel (image may vary from actual product and specification)



**Table 2.** Back Panel Features

Feature	Description
Indicators	N/A
PCI Slots	Three 64-bit, 33 MHz PCI slots
Connections-Interactive	Two USB 2.0 ports, four gigabit Ethernet ports, one DB-9 serial port, one Ethernet management port (NET MGT), one serial management port (SER MGT), one Ultra 160 SCSI connector
Power Supplies	Two AC/DC redundant and hot-swappable power supplies

## Product Specifications

**Table 3.** Product Specifications

Specification	Value
<b>Memory/Storage</b>	
Maximum Configuration	2 GB (four CPU/memory modules fully populated with 512 MB dual inline memory modules [DIMMs])
Minimum Configuration	1 GB (two CPU/memory modules with one 512 MB DIMM)
Capacities	<ul style="list-style-type: none"> <li>• 4 DIMM slots per processor</li> <li>• Support for 512 MB, 1 GB, 2 GB and 4 GB DIMMs</li> <li>• DDR1 PC2100 DIMMs</li> </ul>
<b>Processors</b>	
Power	(2) 400 W hot-swappable power supplies with individual cooling fans
Cooling	(1) fan tray
Processors	2 x 1.5 GHz UltraSPARCIII processors with 64 KB data, 32 KB instruction and 1 MB integrated level 2 (L2) cache
<b>Internal Storage</b>	
Hard Drive	<ul style="list-style-type: none"> <li>• 2 x 73 GB disk drives</li> <li>• Ultra 160 SCSI 73/146-GB disks</li> <li>• Hot-swappable</li> </ul>
DVD-ROM	1 Slimline ATAPI DVD-ROM drive
<b>Standard Interfaces</b>	
Ethernet	<ul style="list-style-type: none"> <li>• Four RJ-45 on board 10/100/1000BASE-T Gigabit Ethernet ports</li> <li>• One 10BASE-T Ethernet port (used for Ethernet management.)</li> </ul>
PCI	3 PCI slots
Remote Management	<ul style="list-style-type: none"> <li>• One Serial Management RJ-45 port</li> <li>• One Network Management 10BASE-T Ethernet RJ-45 port</li> <li>• Support for the following: <ul style="list-style-type: none"> <li>◦ Sun Management Center</li> <li>◦ Sun Simple Network Management Protocol (SNMP) Management Agent</li> <li>◦ Advanced Lights Out Management (ALOM)</li> <li>◦ Sun Net Connect</li> <li>◦ Sun Update Connection</li> </ul> </li> </ul>
Serial Ports	<ul style="list-style-type: none"> <li>• One DB-9 connector</li> <li>• One RJ-45 connector (used for serial management)</li> </ul>
USB	Two rear USB ports
<b>Electrical Specifications</b>	
Maximum DC Power Output	400 W (per power supply)
Maximum AC Input	N/A
AC Power	90 to 264 VAC (47 – 63 Hz)
Heat Dissipation	N/A
<b>Dimensions and Weight</b>	
Product (HxWxD)	3.4 in. x 16.73 in. x 25 in. (8.77 cm x 42.50 cm x 63.5 cm)
Product Weight	<ul style="list-style-type: none"> <li>• <b>Fully Configured:</b> 41.8 lb. (19 kg)</li> <li>• <b>With rackmount rails and cable management arm:</b> 49.31 lb. (22.4 kg)</li> </ul>

Specification	Value
<b>Operating Specifications</b>	
Temperature	<ul style="list-style-type: none"> <li>• <b>Operating:</b> 41 to 104°F (5 to 40°C) non-condensing</li> <li>• <b>Non-operating:</b> -40 to 149°F (-40 to 65°C)</li> </ul>
Humidity (IEC 60068-2-3&56)	<ul style="list-style-type: none"> <li>• <b>Operating:</b> 10 to 90% relative humidity, non-condensing; 80°F (27°C) max wet bulb</li> <li>• <b>Non-operating:</b> Up to 93% relative humidity, non-condensing; 100°F (38°C) max wet bulb</li> </ul>
Altitude (IEC 60068-2-13)	<ul style="list-style-type: none"> <li>• <b>Operating:</b> 0 to 10,000 ft (0 to 3000 m)</li> <li>• <b>Non-operating:</b> 0 to 40,000 ft (0 to 12,000 m)</li> </ul>
Acoustics (ISO 9295/9296 [ISO 7779:1988])	<ul style="list-style-type: none"> <li>• <b>Operating:</b> Less than 7.1 dB sound power in ambient temperature of up to 75.2°F (24°C)</li> <li>• <b>Non-operating:</b> N/A</li> </ul>
Vibration (IEC 60068-2-6&64)	<ul style="list-style-type: none"> <li>• <b>Operating:</b> N/A</li> <li>• <b>Non-operating:</b> N/A</li> </ul>
Shock	<ul style="list-style-type: none"> <li>• <b>Operating:</b> N/A</li> <li>• <b>Non-operating:</b> N/A</li> </ul>
Handling Drops	N/A
Threshold Impact	N/A
<b>Agency Compliance</b>	
RoHS	Restriction of Hazardous Substances – RoHS-compliant configurations available
Safety	<ul style="list-style-type: none"> <li>• IEC60950</li> <li>• UL/CSA60950</li> <li>• EN60950</li> </ul>
RFI/EMI	<ul style="list-style-type: none"> <li>• FCC Class A, Part 15 47CFR</li> <li>• EN55022</li> <li>• CISPR 22</li> </ul>
Immunity	EN55024
Certifications – Safety	<ul style="list-style-type: none"> <li>• cULus Mark</li> <li>• TUV GS Mark</li> <li>• CE Mark</li> <li>• S-Mark</li> <li>• CCC</li> <li>• GOST</li> </ul>
Certifications – EMC	<ul style="list-style-type: none"> <li>• CE Mark (93/68/EEC)</li> <li>• FCC authorized Class A</li> <li>• ICES</li> <li>• VCCI</li> <li>• BSMI</li> <li>• CTICK</li> <li>• MIC</li> <li>• CCC</li> <li>• GOST</li> </ul>

## Ordering Information

**Table 4.** Ordering Information

Description	Available	Part Number
<ul style="list-style-type: none"><li>• RoHS-5 Sun Fire V240, 2 x 1.5GHz UltraSPARC IIIi (with n+1 Redundant Power, Java Enterprise System (ES) and Solaris 10 pre-installed)</li><li>• RoHS-5 1GB Memory Expansion Kit (2*512MB) low-profile DDR PC2100 or faster registered ECC DIMMs (See Note 1)</li><li>• RoHS-5 X-Option - Internal DVD-ROM Drive Slimline, for Sun Fire V210 and Sun Fire V240.</li><li>• Localized Power Cord Kit North American/Asian (See Note 2)</li><li>• Solaris 10, 6/06 release, DVD media kit. Multilingual. No hardcopy documentation, no license.</li></ul>	Now	4007052 Rev E

**Note 1:** Minimum 4.16.x Open Boot PROM (OBP) is required when upgrading with these DIMMs.

**Note 2:** This Product is Hazard Class Y, RoHS compliant.

**Note 3:** SR 2.7/3.7/4.2 SP2 or later software must be ordered separately.



Cisco, Cisco Systems, the Cisco logo, the Cisco Systems logo, and Scientific Atlanta are registered trademarks or trademarks of Cisco Systems, Inc. and/or its affiliates in the U.S. and certain other countries.

*All other trademarks mentioned in this document are the property of their respective owners.*

Specifications and product availability are subject to change without notice.

© 2008 Cisco Systems, Inc. All rights reserved.

Service Provider Technology Group  
1-800-722-2009 or 678-277-1000  
[www.scientificatlanta.com](http://www.scientificatlanta.com)

Part Number 7009925 Rev A  
November 2008