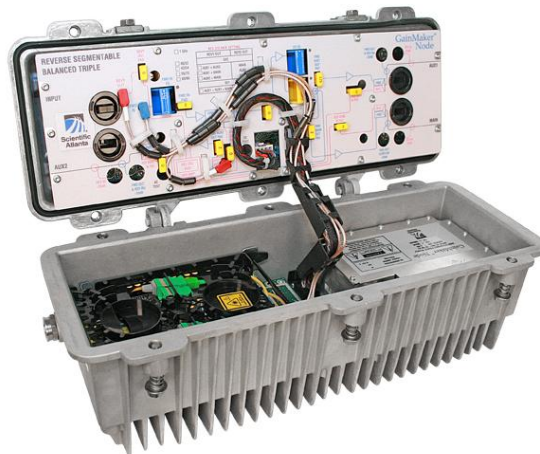


GainMaker 1 GHz Reverse Segmentable Node with 65/86 MHz Split

The GainMaker® Reverse Segmentable (RS) Node is designed to serve as an integral part of today's network architectures. The GainMaker RS Node combines the proven technologies of both the GainMaker RF Amplifier and Prisma® Optical components. Featuring four high level RF output ports and a segmentable reverse path, it is an ideal platform for delivering video (digital and analog) as well as high-speed data services over advanced hybrid fiber/coax (HFC) networks. With its modular design of fiber receiver, reverse transmitters, and RF amplifier electronics, the GainMaker RS Node station can provide a variety of functions required by advanced networks.

Reverse traffic can be segmented and routed to analog FP, DFB, or CWDM reverse transmitters. The GainMaker RS Node is available with an optional custom status monitoring HMS transponder for use with all HMS compliant monitoring and control element management systems. On-board temperature, RF switch position (wink switch), power supply condition, as well as other features and parameters can be monitored through this module.

Figure 1. GainMaker Reverse Segmentable Node



Features

- GainMaker RS Node uses plug-in accessories common to all GainMaker products
- Cable to Linear EQ in amplifiers
- Interstage Equalizer (ISEQ) provides 14.5 dB of Linear tilt
- RF interface board in the main input port diplex filter location provides access to forward and reverse paths in order to route the RF signals to the lid
- Amplifier cover provides access to RF interface board RF ports
- Two optical transmitter positions in the lid
- One optical receiver position in the lid
- Optional plug-in Status Monitoring
- Optional reverse redundancy option; two reverse transmitters (one in “hot standby”) available for the non-segmented node case
- Fiber entry ports on one end of the lid
- Fiber management tray provides easy access to fiber connections and folds back to provide access to optical transmitter and receivers
- Power supply mounted in housing lid for efficient thermal dissipation
- Reverse input pad and RF test point for each reverse input port on GainMaker launch amplifier allow optimum reverse path design and alignment
- Optional Dual Redundant Receiver provides ability to switch to redundant optical power in case of fiber cut

Figure 2. Single Receiver Block Diagram

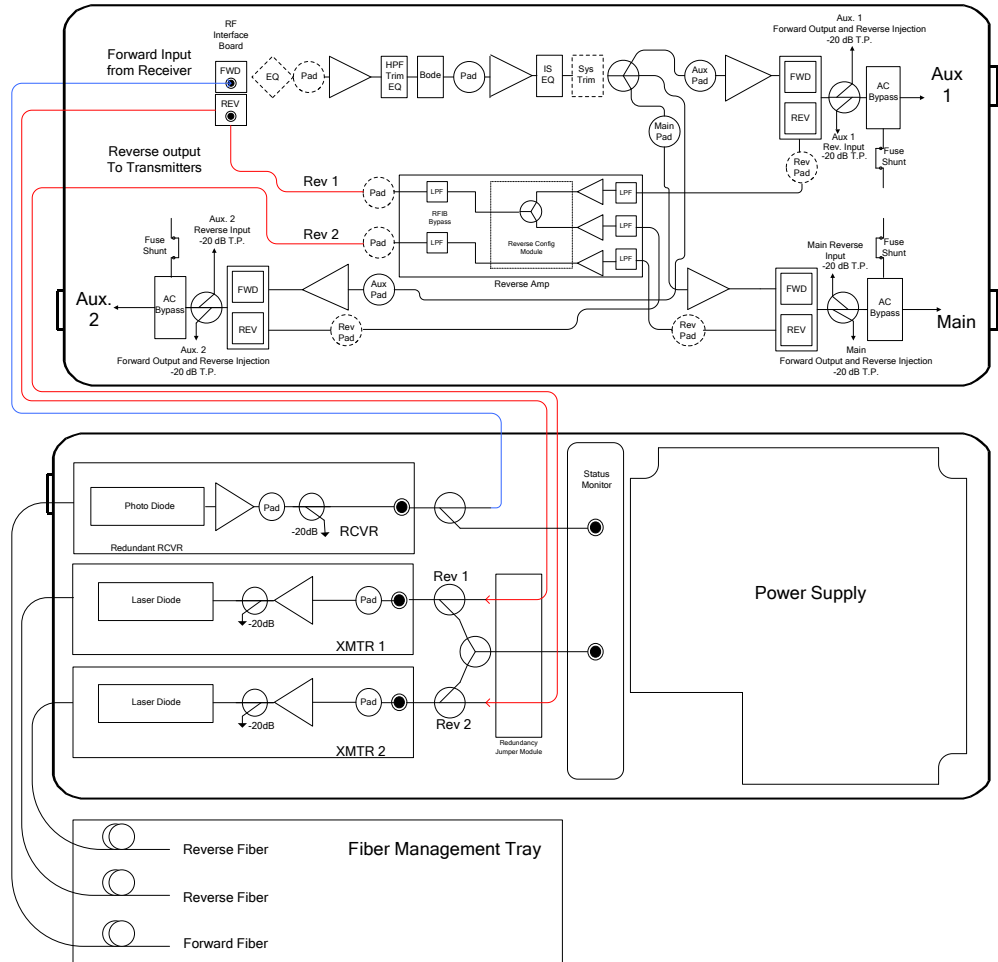


Figure 3. Dual Redundant Receiver Block Diagram

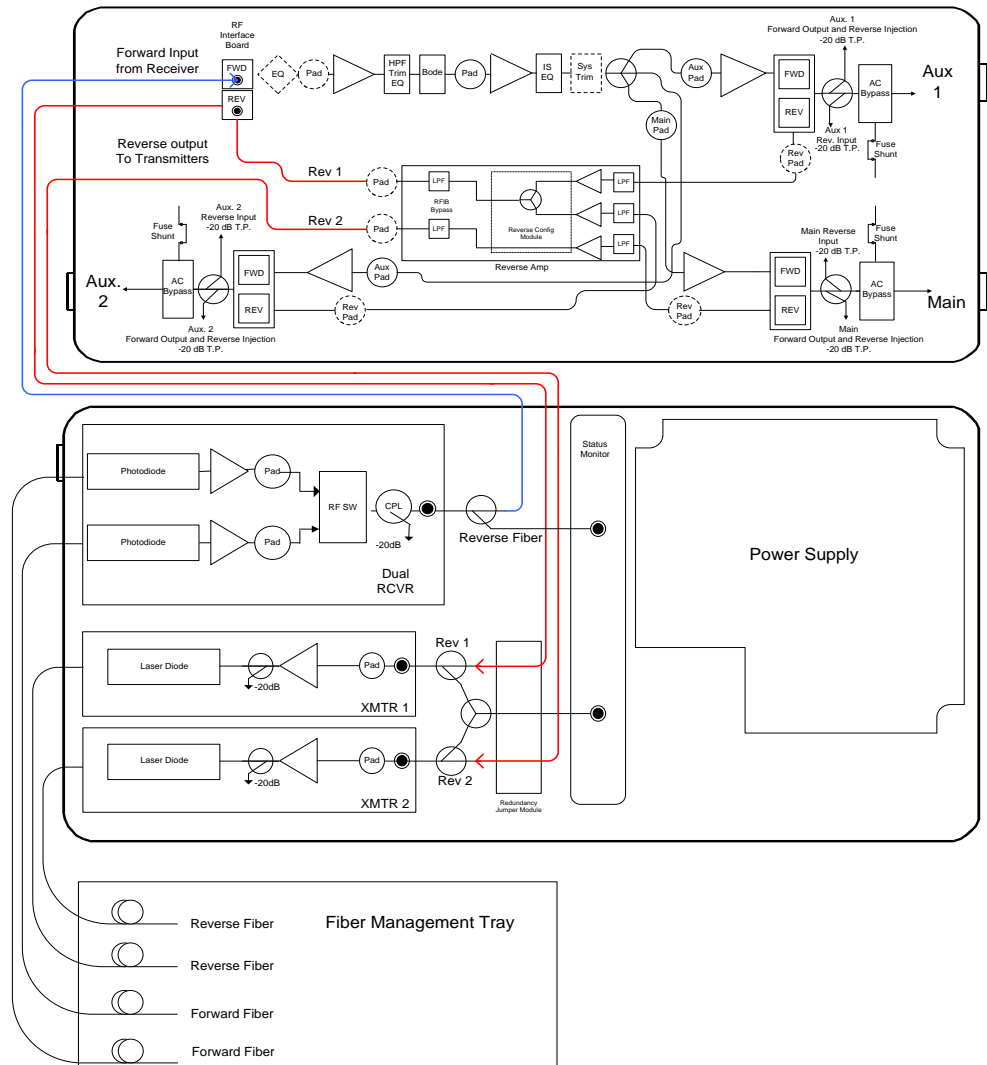
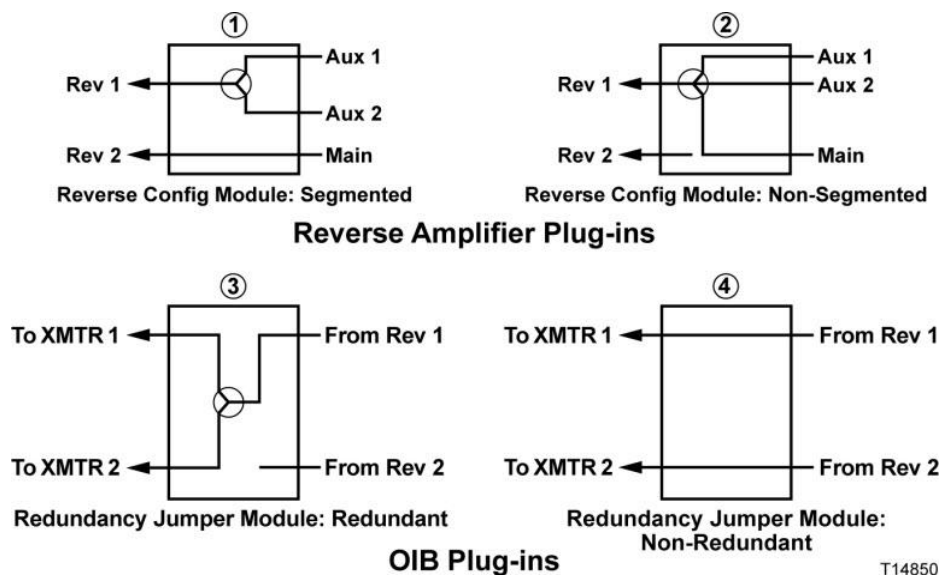


Figure 4. Reverse Configuration Module Block Diagram



Reverse Amplifier/OIB Plug-in Combinations

See the table below for all possible reverse amplifier plug-in and OIB plug-in combinations. Each number callout references the plug-ins shown in Figure 4.

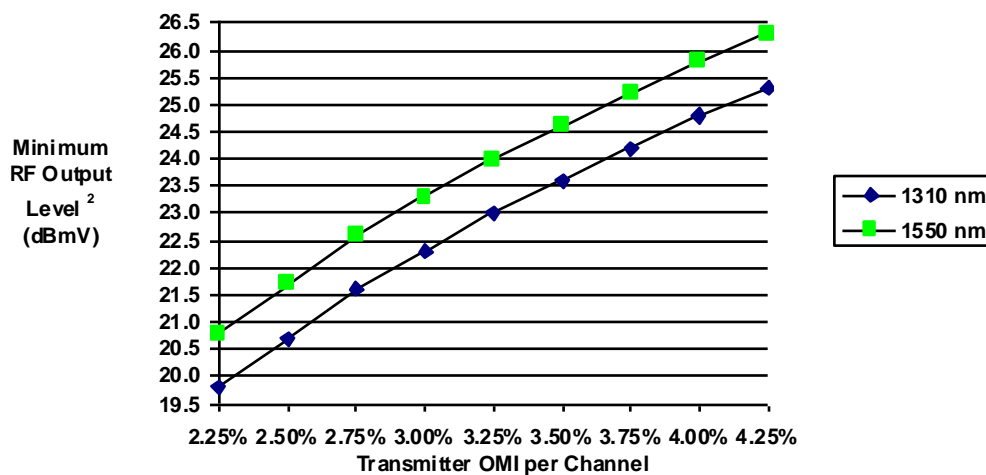
Transmitters	Reverse Amplifier Plug-in	OIB Plug-in
Segmented XMTRS (Non-Redundant)	①	④
Redundant XMTR (Non-Segmented)	②	③
Non-Segmented/Non Redundant	②	④

Product Specifications

Table 1. Optical Section

Optical Section - Forward Receiver Module	Units	GainMaker Standard RX	Notes
Wavelength	nm	1310 and 1550	
Optical Input Range	mW dBm	0.5 -1.6 -3 →+2	
Pass Band	MHz	52-1002	
Frequency Response	dB	± 0.75	1
Tilt (±1.0 dB)	dB	0	
Optical Input Test Point (±10%)	VDC	1V/mW	
RF Output Level @ 0 dBm Optical Input	dBmV	Refer to Figure 5	2
RF Output Test Point (±1.0 dB)	dB	-20	

Figure 5. Receiver RF Output Level Vs Transmitter OMI



Notes:

1. For forward receiver module only. Does not include frequency response contributions from forward optical transmitter.
2. Minimum receiver RF output level for the stated transmitter percent OMI/ch. (Optical Modulation Index per channel), with receiver optical input power of 0 dBm. To determine RF output levels at other optical input power, add (or subtract) 2 dB in RF level for each 1 dB increase (or decrease) in receiver optical input power.

For reverse optical transmitter and link performance, see the "Analog Reverse Optical Transmitters for Model 6940/6944 and GainMaker Optoelectronic Stations" data sheet, part number 750874.

Unless otherwise noted, all specifications reflect typical performance and are referenced to 68°F (20°C). Specifications are based upon measurements made in accordance with SCTE/ANSI standards (where applicable), using standard frequency assignments.

Product Specifications

Table 2. RF Section Specifications

General Station Performance	Units	Forward	Reverse	Notes
Pass Band	MHz	86-1002	5-65	
Return Loss	dB	16	16	6
Hum Modulation @ 12 A	dB	70 (86-870 MHz) 60 (870-1002 MHz)	60 (5-10 MHz) 70 (11-65 MHz)	
Hum Modulation @ 15 A	dB	65 (86-870 MHz) 60 (870-1002 MHz)	60 (5-10 MHz) 65 (11-65 MHz)	
Test Points (± 0.5 dB)	dB	-20	-20	

Table 3. Launch Amplifier Performance - Forward

Launch Amplifier Performance - Forward	Units	HGBT	Notes
Operational Gain (minimum)	dB	41	2
Frequency Response	dB	± 0.5	
Internal Tilt (± 1 dB)	dB	14.0	1,3
Noise Figure @ 54 MHz 1002 MHz	dB	8.5 8.0	2
Reference Output Levels @ 1002 MHz 870 MHz 750 MHz 650 MHz 550 MHz 86 MHz	dBmV	49.5 47.5 45.7 44.0 42.5 35.5	
Reference Output Tilt (86-1002 MHz)	dB	14.0	1,4
64 PAL B/G Channels (CW) with Digital			9
Composite Triple Beat		79	5
Cross Modulation		70	5,12
Composite Second Order (high side)		70	5
64 PAL I Channels (CW) with Digital			10
Composite Triple Beat		72	5
Cross Modulation		69	5,12
42 CENELEC Channels (CW)			11
Composite Triple Beat		112.5	
Cross Modulation		111.5	
Composite Second Order (high side)		115.0	
78 NTSC Channels (CW) with Digital			8
Composite Triple Beat	dB	78	5
Cross Modulation	dB	69	5,12
Composite Second Order (high side)	dB	70	5

Table 4. Launch Amplifier Performance - Reverse

Reverse Station Performance	Units	Reverse	Notes
Amplifier Type	-	GaAs FET	
Operational Gain (minimum)	dB	-2	6,7
Frequency Response	dB	± 0.5	
Internal Tilt (± 1 dB)	dB	0	
Path to Path Isolation	dB	50	
Noise Figure	dB	13.5	6,7

Product Specifications

Table 5. RF Delay Specifications

Station Delay Characteristics			
Forward (Chrominance to Luminance Delay)		Reverse (Group Delay in 1.5 MHz BW)	
Frequency (MHz)	Delay (nS)	Frequency (MHz)	Delay (nS)
112.25 - 116.68	2	5.0 - 6.5	33
119.25 - 123.68	2	6.5 - 8.0	15
126.25 - 130.68	2	8.0 - 9.5	8
		60.5 - 62.0	5
		62.0 - 63.5	7
		63.5 - 65.0	10

Notes:

- Reference output tilt and internal tilt are both "Linear" tilt.
- Forward Gain and Noise Figure measured with 0 dB input EQ and 1 dB input pad.
- Forward internal tilt specified is primarily due to an on-board equalizer and a factory configured linear ISEQ.
- The forward reference output tilt specified is achieved via field installation of appropriate input EQ, in conjunction with the internal tilt of the launch amplifier and the tilt associated with the optical link (transmitter/receiver combination).
- Station performance can be determined by combining optic performance and launch amplifier performance. Stated distortion performance is for launch amplifier section operated at reference output levels and tilt.
- Reverse Operational Gain is measured from the reverse RF input port to the RF input to the reverse transmitter and includes optical interface board losses.
- Reverse Gain and Noise Figure for launch amp with 0 dB reverse input pad and 0 dB output pad.
- Loaded with 78 NTSC CW carriers from 77 to 550 MHz. "Digital" refers to 550 to 1002 MHz loading with QAM carriers at -6 dB relative to analog video carrier levels.
- Loaded with 64 PAL B/G CW carriers from 112 to 600 MHz. "Digital" refers to 600 to 1002 MHz loading with QAM carriers at -6 dB relative to analog video carrier levels.
- Loaded with 64 PAL I CW carriers from 88 to 600 MHz. "Digital" refers to 600 to 1002 MHz loading with QAM carriers at -6 dB relative to analog video carrier levels.
- Tested per CENELEC Standard EN50083-3. RF output level is at 870 MHz (forward).
- X-mod (@ 15.75 kHz) specified using 100% synchronous modulation and frequency selective measurement device.

Table 6. Electrical Specifications

Electrical	Units	Value			Notes
Max. AC Through Current (continuous)	Amps	15			
Max. AC Through Current (surge)	Amps	25			
Component DC Power Consumption (typical)		@ +24 VDC	@ +15 VDC	@ -6 VDC	1
Launch Amplifier	Amps	2.60			
Status Monitoring Transponder	Amps	0.15			
Standard Optical Receiver	Amps	0.25	0.01	0.035	
Reverse Transmitter – High Gain FP	Amps	0.09	-	0.07	
Reverse Transmitter – High Gain DFB	Amps	0.11	-	0.09	
Power Supply DC Current Rating	Amps	3.5	0.05	0.35	1

Note:

- The total DC Power consumption of installed components should not exceed the power supply DC current rating.

Product Specifications

Table 7. Electrical Specifications

GainMaker HGBT Node, 2 Transmitters, 1 Receiver, 1 Status Monitor											
DC	24 VDC @ 2.5 A										
AC	90	85	80	75	70	65	60	55	50	45	40
AC	0.99	1.02	1.03	1.06	1.11	1.18	1.34	1.42	1.57	1.73	1.94
AC Pwr (W)	71.7	71.6	71.4	71.3	71.2	71.1	71.4	71.4	71.4	71.6	71.8

Notes:

1. Data is based on stations configured for 2-way operation with status monitoring transponder. AC currents specified are based on measurements made with typical CATV type ferroresonant AC power supply (quasi-square wave), and standard version DC power supply.
2. DC supply has a user configurable 40 V or 50 VAC under-voltage lockout circuit.

Table 8. Environmental Specifications

Environmental	Units	Value
Operating Temperature Range	°F/°C	-40 to 140°F (-40 to 60°C)
Relative Humidity Range	%	5 to 95%
Mechanical		
Housing Dimensions (L x H x D)	in./mm	17.6 in. x 7.5 in. x 7.9 in. (447 mm x 191 mm x 201 mm)
Weight (Station with 1 RX, 1 TX, and power supply)	lb/kg	22.5 lb (10.2 kg)

Ordering Information

The GainMaker Reverse Segmentable Node is available in a wide variety of configurations. The GainMaker Ordering Matrix provides ordering information for configured node stations, existing amplifier to node upgrade kits, and launch amplifiers. This page contains ordering information for required and optional accessories. Please consult with your Account Representative, Customer Service Representative, or Applications Engineer to determine the best configuration for your particular application.

Table 9. Required Accessories

Required Accessories for RF Module	Part Number
Plug-in Pads (attenuators) - Available in 0.5 dB steps from 0 to 20 dB <ul style="list-style-type: none"> • 1 required for forward input • 5 required for reverse (3 input, 2 output) 	589693 (0 dB) sequentially thru 589734 (20.5 dB)
Plug-in Forward Equalizer - Available in 1.5 dB steps from 0 to 30 dB at 1002 MHz <ul style="list-style-type: none"> • 1 required for forward input 	4007228 (0 dB) sequentially thru 4007248 (30 dB)
Required Accessories for Optical Components	Part Number
Plug-in Pads (attenuators) - Available in 0.5 dB steps from 0 to 20.5 dB <ul style="list-style-type: none"> • 1 ea required for Transmitter and Receiver(s) 	279500 (0 dB) sequentially thru 279513 (13 dB) in 1 dB steps
	504151 (14 dB) sequentially thru 504157 (20 dB) in 1 dB steps
	565231 (0.5 dB) sequentially thru 565251 (20.5 dB) in 1 dB steps

Note: Configured Nodes ship without reverse input pads, input pads, or EQ. All other accessories are shipped from the factory. Forward launch amplifier attenuator pads, interstage EQ, and system trim are shipped with every configured node.

Table 10. Optional Accessories

Reverse Amplifier Segmentation Module	Part Number
Reverse Configuration Module – Non-Segmented (box of 5)	4018565
Reverse Configuration Module – Segmented (box of 5)	4018564
Optical Interface Board (OIB) Redundancy Module	Part Number
OIB Redundancy Plug-in – Redundant (box of 5)	4018565
OIB Redundancy Plug-in – Non-Redundant (Combined) (box of 5)	4018564

Table 11. Transmitters & Receivers

Optical Transmitters and Receivers (available as part of configuration or separately)	Part Number on Module	Part Number for Ordering
Receivers		
GainMaker Node Optical Receiver with SC/APC connector	4007501	4007671
GainMaker Node Optical Receiver with SC/UPC connector	4007502	4007672
GainMaker Node Optical Receiver with FC/APC connector	4007503	4007673
GainMaker Node Dual Redundant Receiver with SC/APC connector	4030121	4030121
Analog FP Transmitters		
FP Optical Transmitter – High Gain 1310 nm with SC/APC connector	717908	590942
FP Optical Transmitter – High Gain 1310 nm with SC/UPC connector	717909	590943
FP Optical Transmitter – High Gain 1310 nm with FC/APC connector	717906	590940

Optical Transmitters and Receivers (available as part of configuration or separately)	Part Number on Module	Part Number for Ordering
Analog DFB Transmitters		
DFB Optical Transmitter – High Gain 1310 nm with SC/APC connector	4013906.1310	590938
DFB Optical Transmitter – High Gain 1310 nm with SC/UPC connector	4013907.1310	590939
DFB Optical Transmitter – High Gain 1310 nm with FC/APC connector	4013896.1310	590936
Analog CWDM Transmitters		
CWDM DFB Optical Transmitter – High Gain 1470 nm with SC/APC connector	4013906.1470	4007003
CWDM DFB Optical Transmitter – High Gain 1490 nm with SC/APC connector	4013906.1490	4007004
CWDM DFB Optical Transmitter – High Gain 1510 nm with SC/APC connector	4013906.1510	4007005
CWDM DFB Optical Transmitter – High Gain 1530 nm with SC/APC connector	4013906.1530	4007006
CWDM DFB Optical Transmitter – High Gain 1550 nm with SC/APC connector	4013906.1550	4007007
CWDM DFB Optical Transmitter – High Gain 1570 nm with SC/APC connector	4013906.1570	4007008
CWDM DFB Optical Transmitter – High Gain 1590 nm with SC/APC connector	4013906.1590	4007009
CWDM DFB Optical Transmitter – High Gain 1610 nm with SC/APC connector	4013906.1610	4007010
CWDM DFB Optical Transmitter – High Gain 1470 nm with SC/UPC connector	4013907.1470	4007011
CWDM DFB Optical Transmitter – High Gain 1490 nm with SC/UPC connector	4013907.1490	4007012
CWDM DFB Optical Transmitter – High Gain 1510 nm with SC/UPC connector	4013907.1510	4007013
CWDM DFB Optical Transmitter – High Gain 1530 nm with SC/UPC connector	4013907.1530	4007014
CWDM DFB Optical Transmitter – High Gain 1550 nm with SC/UPC connector	4013907.1550	4007015
CWDM DFB Optical Transmitter – High Gain 1570 nm with SC/UPC connector	4013907.1570	4007016
CWDM DFB Optical Transmitter – High Gain 1590 nm with SC/UPC connector	4013907.1590	4007017
CWDM DFB Optical Transmitter – High Gain 1610 nm with SC/UPC connector	4013907.1610	4007018
CWDM DFB Optical Transmitter – High Gain 1470 nm with FC/APC connector	4013908.1470	4007019
CWDM DFB Optical Transmitter – High Gain 1490 nm with FC/APC connector	4013908.1490	4007020
CWDM DFB Optical Transmitter – High Gain 1510 nm with FC/APC connector	4013908.1510	4007021
CWDM DFB Optical Transmitter – High Gain 1530 nm with FC/APC connector	4013908.1530	4007022
CWDM DFB Optical Transmitter – High Gain 1550 nm with FC/APC connector	4013908.1550	4007023
CWDM DFB Optical Transmitter – High Gain 1570 nm with FC/APC connector	4013908.1570	4007024
CWDM DFB Optical Transmitter – High Gain 1590 nm with FC/APC connector	4013908.1590	4007025
CWDM DFB Optical Transmitter – High Gain 1610 nm with FC/APC connector	4013908.1610	4007026
Analog DWDM TX		
DWDM Analog Optical Transmitter, CH. 20, 1561.42 nm with SC/APC connector	4023375.20	4023375.20
DWDM Analog Optical Transmitter, CH. 21, 1560.61 nm with SC/APC connector	4023375.21	4023375.21
DWDM Analog Optical Transmitter, CH. 22, 1559.79 nm with SC/APC connector	4023375.22	4023375.22
DWDM Analog Optical Transmitter, CH. 23, 1558.98 nm with SC/APC connector	4023375.23	4023375.23
DWDM Analog Optical Transmitter, CH. 24, 1558.17 nm with SC/APC connector	4023375.24	4023375.24
DWDM Analog Optical Transmitter, CH. 25, 1557.36 nm with SC/APC connector	4023375.25	4023375.25
DWDM Analog Optical Transmitter, CH. 26, 1556.55 nm with SC/APC connector	4023375.26	4023375.26

Optical Transmitters and Receivers (available as part of configuration or separately)	Part Number on Module	Part Number for Ordering
Analog DWDM TX		
DWDM Analog Optical Transmitter, CH. 27, 1555.75 nm with SC/APC connector	4023375.27	4023375.27
DWDM Analog Optical Transmitter, CH. 28, 1554.94 nm with SC/APC connector	4023375.28	4023375.28
DWDM Analog Optical Transmitter, CH. 29, 1554.13 nm with SC/APC connector	4023375.29	4023375.29
DWDM Analog Optical Transmitter, CH. 30, 1553.33 nm with SC/APC connector	4023375.30	4023375.30
DWDM Analog Optical Transmitter, CH. 31, 1552.52 nm with SC/APC connector	4023375.31	4023375.31
DWDM Analog Optical Transmitter, CH. 32, 1551.72 nm with SC/APC connector	4023375.32	4023375.32
DWDM Analog Optical Transmitter, CH. 33, 1550.92 nm with SC/APC connector	4023375.33	4023375.33
DWDM Analog Optical Transmitter, CH. 34, 1550.12 nm with SC/APC connector	4023375.34	4023375.34
DWDM Analog Optical Transmitter, CH. 35, 1549.32 nm with SC/APC connector	4023375.35	4023375.35
DWDM Analog Optical Transmitter, CH. 36, 1548.51 nm with SC/APC connector	4023375.36	4023375.36
DWDM Analog Optical Transmitter, CH. 37, 1547.72 nm with SC/APC connector	4023375.37	4023375.37
DWDM Analog Optical Transmitter, CH. 38, 1546.92 nm with SC/APC connector	4023375.38	4023375.38
DWDM Analog Optical Transmitter, CH. 39, 1546.12 nm with SC/APC connector	4023375.39	4023375.39
DWDM Analog Optical Transmitter, CH. 40, 1545.32 nm with SC/APC connector	4023375.40	4023375.40
DWDM Analog Optical Transmitter, CH. 41, 1544.53 nm with SC/APC connector	4023375.41	4023375.41
DWDM Analog Optical Transmitter, CH. 42, 1543.73 nm with SC/APC connector	4023375.42	4023375.42
DWDM Analog Optical Transmitter, CH. 43, 1542.94 nm with SC/APC connector	4023375.43	4023375.43
DWDM Analog Optical Transmitter, CH. 44, 1542.14 nm with SC/APC connector	4023375.44	4023375.44
DWDM Analog Optical Transmitter, CH. 45, 1541.35 nm with SC/APC connector	4023375.45	4023375.45
DWDM Analog Optical Transmitter, CH. 46, 1540.56 nm with SC/APC connector	4023375.46	4023375.46
DWDM Analog Optical Transmitter, CH. 47, 1539.77 nm with SC/APC connector	4023375.47	4023375.47
DWDM Analog Optical Transmitter, CH. 48, 1538.98 nm with SC/APC connector	4023375.48	4023375.48
DWDM Analog Optical Transmitter, CH. 49, 1538.19 nm with SC/APC connector	4023375.49	4023375.49
DWDM Analog Optical Transmitter, CH. 50, 1537.40 nm with SC/APC connector	4023375.50	4023375.50
DWDM Analog Optical Transmitter, CH. 51, 1536.61 nm with SC/APC connector	4023375.51	4023375.51
DWDM Analog Optical Transmitter, CH. 52, 1535.82 nm with SC/APC connector	4023375.52	4023375.52
DWDM Analog Optical Transmitter, CH. 53, 1535.04 nm with SC/APC connector	4023375.53	4023375.53
DWDM Analog Optical Transmitter, CH. 54, 1534.25 nm with SC/APC connector	4023375.54	4023375.54
DWDM Analog Optical Transmitter, CH. 55, 1533.47 nm with SC/APC connector	4023375.55	4023375.55
DWDM Analog Optical Transmitter, CH. 56, 1532.68 nm with SC/APC connector	4023375.56	4023375.56
DWDM Analog Optical Transmitter, CH. 57, 1531.90 nm with SC/APC connector	4023375.57	4023375.57
DWDM Analog Optical Transmitter, CH. 58, 1531.12 nm with SC/APC connector	4023375.58	4023375.58
DWDM Analog Optical Transmitter, CH. 59, 1530.33 nm with SC/APC connector	4023375.59	4023375.59

Table 12. Related Equipment

Related Equipment (available as part of configuration or separately)	Part Number on Module	Part Number for Ordering
GainMaker Node – Standard DC Power Supply 40 - 90 VAC	744160	4018686
GainMaker – Crowbar Surge Protector	715973	4007682
High Output 4-Port GainMaker Node Status Monitoring Transponder (See <i>Transponder for GainMaker Optoelectronic Node</i> data sheet, part number 7000087)	744234	4018687



Cisco and the Cisco logo are trademarks of Cisco and/or its affiliates in the U.S. and other countries. A listing of Cisco's trademarks can be found at www.cisco.com/go/trademarks.

Third party trademarks mentioned are the property of their respective owners.

The use of the word partner does not imply a partnership relationship between Cisco and any other company. (1009R)

Specifications and product availability are subject to change without notice.

© 2010-2011 Cisco and/or its affiliates. All rights reserved.

Cisco Systems, Inc.
800 722-2009 or 678 277-1120
www.cisco.com

Part Number 7011569 Rev C
June 2011