

Headend Systems

Model 64557 Multiple-Output Driver Amplifier

Description

The Model 64557 Multiple-Output Driver Amplifier is designed for use in CATV headends or hubs and provides up to 8-way RF output. It functions as an RF driver amplifier for optical transmitters. One Model 64557 Driver Amplifier can drive 8 transmitter modules in the OptoStar optical platform chassis, and it is an excellent driver amplifier for optical transmitter modules.



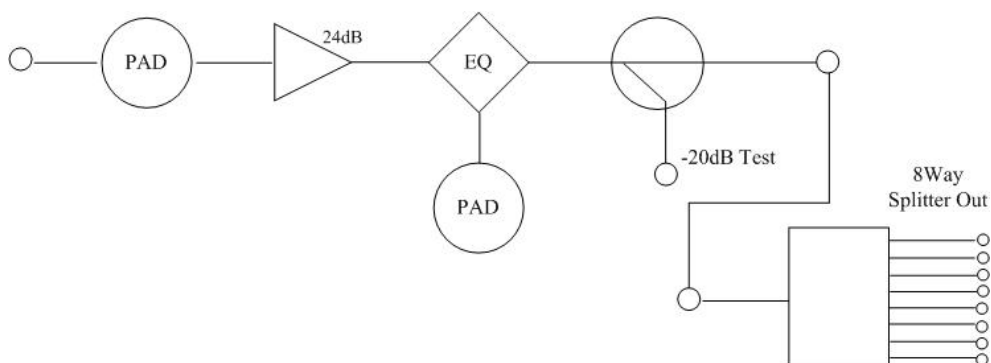
The Model 64457 is a standard 19-inch (1 RU) chassis and utilizes 1 GHz GaAsFET gain block and surface mounting technology to provide high performance.

Features

- 40~1000 MHz bandwidth
- Advanced 1 GHz GaAs gain block PHD technology to drive 8 optical transmitter modules
- Plug-in pad via RF output test point for easy adjustment of RF drive level
- Insert different attenuators to adjust forward equalization
- SMD technology on main board
- Splitter ports have high isolation performance and low insertion loss
- Good frequency response
- Good input/output return loss

Model 64557 Multiple-Output Driver Amplifier

Block Diagram



Specifications

Amplifier Section ^{Note 1}	Units	Specifications
Bandwidth	MHz	40 to 1000
Input Level (max)	dBmV	19
Gain (min)	dB	21.5
Input & Output Return Loss	dB	16
Frequency Response (tilt=1dB)	dB	±0.5
Distortion ^{Note 2}		
CTB	dBc	≥72
CSO	dBc	≥72
CNR	dB	≥62
8-way Splitter		
Isolation		
40~750 MHz	dB	≥30
751~1000 MHz	dB	≥25
Input Return Loss		
40~750 MHz	dB	≥20
751~1000 MHz	dB	≥18
Output Return Loss		
40~750 MHz	dB	≥18
751~1000 MHz	dB	≥16
Insertion Loss	dB	≤12
Power Supply		
Power Supply	V	220 V AC, 50 Hz (176 V~264 V)
Power	W	15
Environmental		
Operating Temperature	°C °F	0 to +55 +32 to +131
Mechanical		
Dimensions	mm in.	480 x 320 x 44 18.9 x 12.6 x 1.7
Weight	kg lbs	4.5 9.9

Notes:

1. Data is based on single output only.
2. Test condition: loaded with 59 PAL D/K channels from 47 to 550 MHz with output level of 37 dBmV.

Model 64557 Multiple-Output Driver Amplifier



Ordering Information

Description	Part Number
Model 64557 multiple-output driver amplifier	2039920000

The following **Optional Accessories** may be ordered separately:

Description	Part Number
862 MHz attenuators, 0-20 dB in 1dB Step	3439009 to 3439029



Scientific Atlanta and the Scientific Atlanta logo are registered trademarks of Scientific-Atlanta, Inc. Cisco, Cisco Systems, and the Cisco Systems logo are registered trademarks of Cisco Systems, Inc. and/or its affiliates in the U.S. and certain other countries.

All other trademarks shown are trademarks of their respective owners.
Specifications and product availability are subject to change without notice.
© 2006 Scientific-Atlanta, Inc. All rights reserved.

Americas
1-800-722-2009 or 770-236-6900
www.scientificatlanta.com

Europe & Asia
+32 56 445 445
www.saeurope.com

Part Number 8810083 Rev C
December 2006