

Compact Electronic Gain Control (EGC) Mini Amplifier Model 93240

Description

The Compact Electronic Gain Control (EGC) Mini Amplifier Model 93240 combines powerful performance with ease of use to meet the growing demands from operators for advanced products. It provides advanced features and benefits to help operators reduce operating costs by streamlining amplifier deployment and configuration and is especially well suited for network upgrades due to increased reverse gain.



The mini amplifier performs to 1GHz in the forward path and can be configured electronically, using a handheld programmer terminal for rapid initial set-up or for adjustments that arise as network requirements shift. All settings are done without interrupting service, an especially important capability in networks, which are delivering Voice over IP (VoIP) services. Settings for the EGC mini amplifier can be established or modified using a handheld programmer terminal and settings from one amplifier can be uploaded to the handheld programmer terminal for downloading to other amplifiers in order to streamline their configuration. Different forward gain settings (28 dB to 38 dB) can be obtained in the amplifier, enabling it to support several different applications within the network allowing a single amplifier model to help reduce inventory and sparing costs.

The number of amplifier plug-ins is reduced to a minimum to help operators keep inventory and costs down. The full range electronic attenuators and equalizers offer improved versatility and makes it possible to achieve the same adjustment range as with conventional plug-in or potentiometer solutions. The unit features an easy-to-use, electronic input equalizer with built-in cable simulator to help ensure a flat input level to the amplifier. Plug-in diplex filters are used to determine the forward/reverse band split.

To meet future demands for more bandwidth, the mini amplifier offers an electronic 862 MHz to 1 GHz field-programmable bandwidth extension, as well as a reverse path that can be upgraded to 200 MHz.

The Compact EGC Mini Amplifier Model 93240 can be configured with a Scientific-Atlanta status monitoring transponder (SMC or HMS) to enable remote monitoring of critical amplifier parameters and remote control of the built-in 3-state reverse switch. All amplifier settings are remotely addressable via the ROSA™ Element Management System to help reduce truck rolls and associated costs.

Features

- GaAsFET gain block technology for improved distortion and noise performance
- Common RF test point for forward output and reverse injections simplify reverse balancing
- 5 amp power passing
- Improved output level and flatness
- Improved surge protection – now 6 kV
- Plug-in, self-contained diplex filters for easy upgrade of reverse path bandwidth
- Easy plug-in mounting of transponder (no change of lid nor use of test points for cable connection)
- Optional status monitoring and control
- Integrated 3-state reverse switch (on/-6 dB/off) allows the reverse input to be isolated for noise and ingress troubleshooting
- Supports the Compact HMS transponder

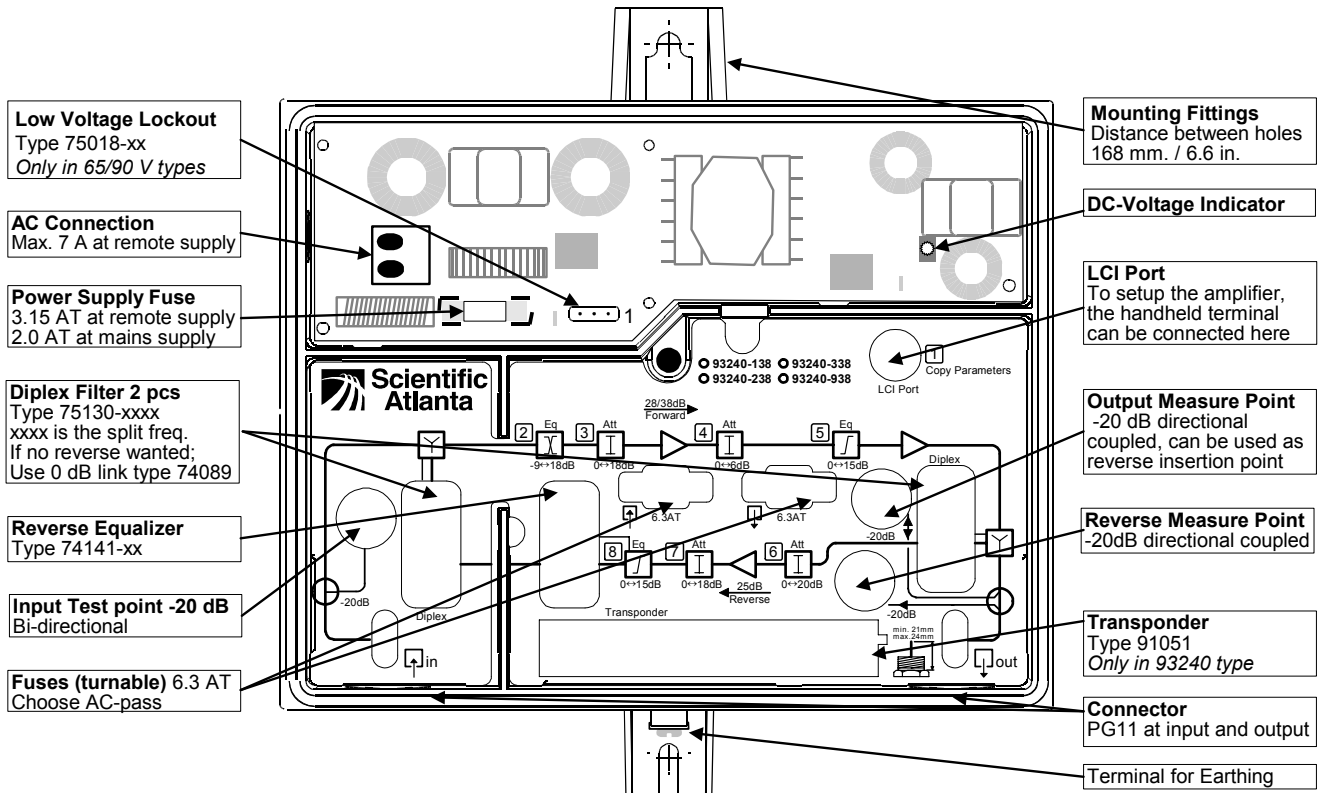


Manage your network with ROSA and TNCS open standards element management. Get faster mean-time-to-repair, increased uptime, and management that evolves as you provision your networks. US toll-free 1-800-722-2009. EMEA +32 56 445 445. www.scientificatlanta.com/ROSA

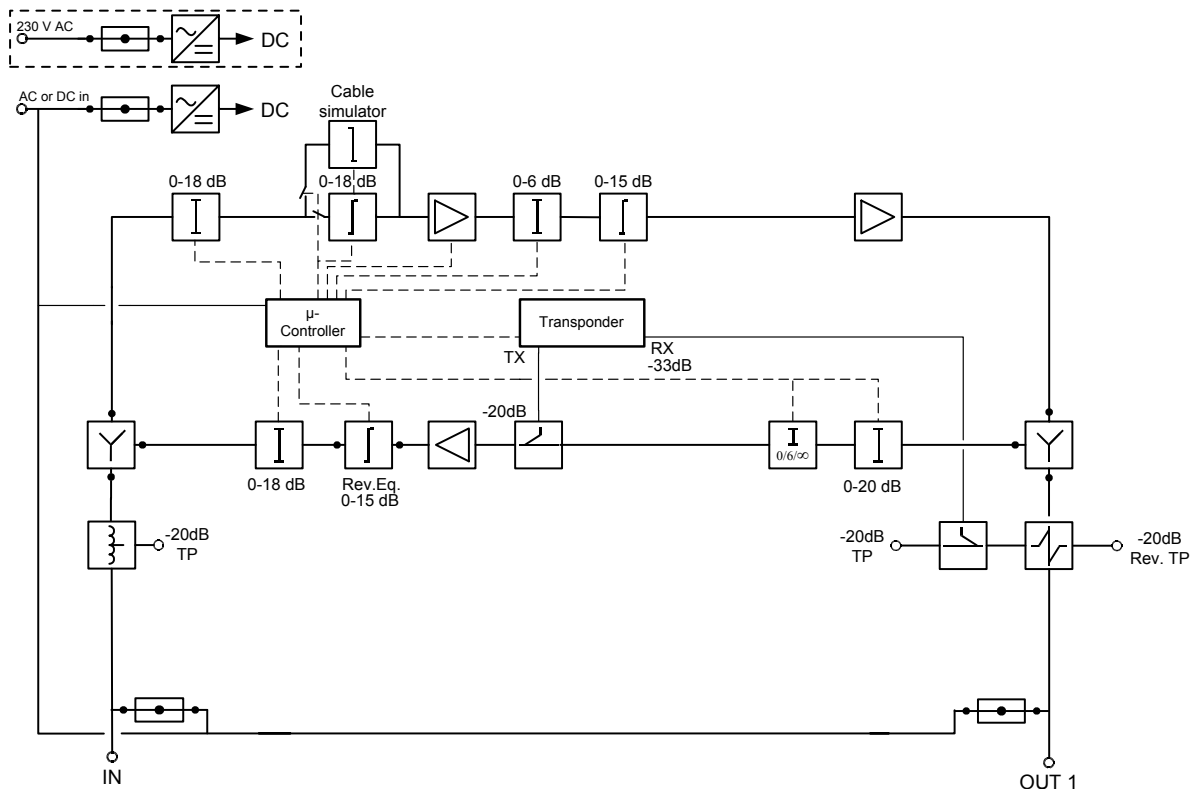
Compact Electronic Gain Control (EGC) Mini Amplifier Model 93240



Overview



Block Diagram



Compact Electronic Gain Control (EGC) Mini Amplifier Model 93240



Specifications

Forward Performance	Units	93240-x38		Notes
Frequency range	MHz	47 – 862 or 1 GHz		1
Gain	dB	28	38	2
Frequency response	dB	± 0.75 (± 1 dB to 1GHz)		2
Attenuator	dB	0 – 18 in 0.5 dB step		
Equalizer	dB	0 – 18 in 0.5 dB step		
Attenuator, interstage	dB	0 – 6 in 0.5 dB step		
Pre-equalizer, interstage	dB	0 – 15 in 0.5 dB step		
Test point, input, bi-directional	dB	-20 ± 1.5		
Measuring point, output, directional	dB	-20 ± 0.75		
Number of outputs		1		
Return loss	dB	20		4
Noise figure	dB	≤ 8	≤ 7.5 (≤ 8 to 1GHz)	3
Output level (reference 112 dBμV)				
CTB, EN 50083-3, 4.2.3	dB	≥ 61	≥ 63	5
CSO, EN 50083-3, 4.2.4	dB	≥ 58	≥ 60	5
Reverse Performance				
Frequency range	MHz	5 - 200		1
Gain	dB	25		2, 6
Frequency response	dB	± 0.5, 5 - 65 MHz (± 0,75, 5 - 200 MHz)		2, 6
Attenuators on input and output	dB	0 – 18 in 0.5 dB step		
Equalizer	dB	0 – 15 in 0.5 dB step		
Measuring point, reverse input, directional	dB	-20 ± 0.5		
Signal injection point, reverse	dB	-20 ± 0.5		
Return loss	dB	18		2, 4, 6
3-state reverse switch, EM controlled	dB	On/-6/Off		
Noise figure (max. gain, flat output)	dB	≤ 8.0, 5 - 65 MHz (≤ 8.5, 5 - 200 MHz)		
Output level				
IMD3 ≥ 60 dB, EN 50083-5, 3.2	dB μ V	120.0, 5 - 65 MHz (115.0, 5 - 200 MHz)		6
IMD2 ≥ 60 dB, EN 50083-3, 4.2.2	dB μ V	110.0, 5 - 65 MHz (109.0, 5 - 200 MHz)		6
General Performance				
Surge protection	kV, μ s	6, 1.2/50		2
Enclosure category		IP 64		
Emission, EN 50083-2	dBpW	< 20		
Screening		> 85		
Connectors, input and outputs (reduction)		PG 11 (5/8")		
Test point		F-connector, Female		
Electrical				
65 V coax line powering (rms, sine)	V AC	24 – 65		7
230 V mains line powering (rms, sine)	V AC	187 – 250		
Power consumption remote powered	W	16.5		8
Power consumption mains powered	W	16		8
Max current, inputs and outputs	AAC	5		
Hum modulation at max. current, EN 50083-3	dB	≤ -65		9
Max. current, power insertion	A AC	7		
Environmental				
Operating temperature range	°C	-20 to +55		
Mechanical				
Housing dimensions, W x H x D	mm	185 x 145 x 95		
Material		Die-cast aluminum		
Weight	kg	2.2		
Packaging dimensions, H x W x D	mm	225 x 225 x 110		

Compact Electronic Gain Control (EGC) Mini Amplifier Model 93240



Specifications, cont.

Notes:

1. Frequency range depends on plug-in diplex filters and amplifier setting
2. Including diplex filter #A75130.106587
3. Max. gain, flat output 45-862MHz
4. At 40 MHz red. 1.5 dB/octave
5. Measured with 6 dB output tilt
6. Including plug-in equalizer
7. A DC voltage supply is possible, 35 - 90 V DC
8. Exclusive transponder: add 2 W with transponder
9. 55 dB, 5 – 15 MHz

Ordering Information

Un-configured Amplifier	Part Number
Compact EGC Mini Amplifier, 862 MHz, 28/38 dB gain version, 115 V mains powered	A93240.10138
Compact EGC Mini Amplifier, 862 MHz, 28/38 dB gain version, 230 V mains powered	A93240.10238
Compact EGC Mini Amplifier, 862 MHz, 28/38 dB gain version, 24-65 V coax line powered	A93240.10338
Compact EGC Mini Amplifier, 862 MHz, 28/38 dB gain version, 35-90 V coax line powered	A93240.10938
Configured Amplifier	
Compact EGC Mini Amplifier, 862 MHz, 28/38 dB gain version, 230 V mains powered, configured for 65 MHz reverse	A93240.1023865
Compact EGC Mini Amplifier, 862 MHz, 28/38 dB gain version, 24-65 V coax line powered, configured for 65 MHz reverse	A93240.1033865

Please note that some combinations are available on request only.

Required Accessories for Compact EGC Mini Amplifier 93240*

The table below contains ordering information for required and optional accessories that are not included as part of a 93240 amplifier. Please consult your account representative or customer service for ordering assistance.

The following **Required Accessories** must be ordered separately:

Required Accessories	Part Number
Plug-in Diplex Filter • 2 required, xx/yy MHz split	A75130.10xxyy
Plug-in Reverse Equalizer • 1 required xx MHz reverse band	A74141.10xx
For more information on the above, see the "Compact Amplifier and Node Accessories" (P/N: A541441) data sheet.	

* Please note that the required accessories are only relevant for un-configured amplifiers.

Optional Accessories for Compact EGC Mini Amplifier 93240

The following **Optional Accessories** for amplifiers 93240 may be ordered separately:

Optional Accessories	Part Number
Plug-in Compact SMC Transponder	A91051.12
Voltage Lock-Out Module, 24 or 35 V *	A75018.00xx
For additional information on the status monitoring transponders, see the "Compact Transponder" (P/N: 7006287)	
*The 35 V Lock-Out Module is standard with all 90 V Power Supplies.	



Scientific-Atlanta and the Scientific-Atlanta logo are registered trademarks of Scientific-Atlanta, Inc. ROSA is a trademark of Scientific-Atlanta Europe NV. Specifications and product availability are subject to change without notice.
© 2005 Scientific-Atlanta, Inc. All rights reserved.

Europe & Asia.
+45-73-12-21-50 or +49-6173-928-0
<http://www.saeurope.com/>

North America
1-800-722-2009 or 770-236-6900
www.scientificatlanta.com

Part Number 7007881 Rev A
August 2005