

Cisco Compute X-Series Hyperconverged and Compute-Only (CO) Node Server with Nutanix

210c M7 All-NVMe Node

A printed version of this document is only a copy and not necessarily the latest version. Refer to the following link for the latest released version:

<https://www.cisco.com/c/en/us/products/hyperconverged-infrastructure/compute-hyperconverged/datasheet-listing.html>

OVERVIEW	3
Cisco Compute Hyperconverged Server	3
Cisco Compute-Only (CO) Node Server	4
DETAILED VIEWS	6
210c M7 All-NVMe Node Front View	6
BASE SERVER STANDARD CAPABILITIES and FEATURES	7
CONFIGURING THE CISCO COMPUTE HYPERCONVERGED NODE SERVER	9
STEP 1 CHOOSE BASE CISCO COMPUTE HYPERCONVERGED NODE SKU	10
STEP 2 CHOOSE CPU(S)	11
STEP 3 CHOOSE MEMORY	16
Memory configurations and mixing rules	19
STEP 4 CHOOSE REAR mLOM ADAPTER	20
STEP 5 CHOOSE OPTIONAL REAR MEZZANINE VIC/BRIDGE ADAPTERS	24
STEP 6 CHOOSE FRONT MEZZANINE ADAPTER	26
STEP 7 CHOOSE OPTIONAL GPU PCIe NODE	27
STEP 8 CHOOSE DRIVES (REQUIRED)	28
STEP 9 SELECT M.2 SATA SSDs AND RAID CONTROLLER	29
STEP 10 CHOOSE OPTIONAL TRUSTED PLATFORM MODULE	30
STEP 11 SELECT HYPERVISOR	31
CONFIGURING THE CISCO COMPUTE-ONLY (CO) NODE SERVER	32
STEP 1 CHOOSE BASE CISCO COMPUTE-ONLY (CO) NODE SKU	35
STEP 2 DEPLOYMENT TYPE	36
STEP 3 MANAGMENT MODE	37
	37
STEP 4 CHOOSE CPU(S)	38
STEP 5 CHOOSE MEMORY	43
Memory configurations and mixing rules	46
STEP 6 CHOOSE REAR mLOM ADAPTER	47
STEP 7 CHOOSE OPTIONAL REAR MEZZANINE VIC/BRIDGE ADAPTERS	51
STEP 8 CHOOSE OPTIONAL GPU PCIe NODE	53
STEP 9 SELECT M.2 DRIVES (REQUIRED)	54
STEP 10 CHOOSE OPTIONAL TRUSTED PLATFORM MODULE	56
NUTANIX SOFTWARE AND NUTANIX PROFESSIONAL SERVICES	57
Top Level Nutanix Software And Professional Services PIDs	58
Nutanix Software And Professional Services PID Decoder	60
Nutanix Software PIDs and Description	61
Nutanix software limited orderability	102
Professional Services PIDs and Description	104
Nutanix Support:	121
Software With Professional Services PID Mapping	122
SELECT GUEST VM OPERATING SYSTEM LICENSES	130
SUPPLEMENTAL MATERIAL	131
Retrofit of Existing UCS Servers	131
Simplified Block Diagram	132
System Board	134
UPGRADING or REPLACING CPUs and Memory	135
5TH GEN INTEL XEON BENEFIT PILLARS	136
Intel® Xeon® Processors Notices and Disclaimers	137
LEADERSHIP PERFORMANCE WITH 4TH GEN INTEL® XEON® PROCESSORS	138
Intel® Xeon® Processors Notices and Disclaimers	139

CONTENTS

TECHNICAL SPECIFICATIONS 140
 Dimensions and Weight 140
 Environmental Specifications 140
DISCONTINUED EOL PRODUCTS 141



OVERVIEW

Cisco Compute Hyperconverged Server

The Cisco Compute Hyperconverged X-Series Modular System simplifies your data center, adapting to the unpredictable needs of modern applications while also providing for traditional scale-out and enterprise workloads. It reduces the number of server types to maintain, helping to improve operational efficiency and agility as it helps reduce complexity. Powered by the Cisco Intersight™ cloud operations platform, it shifts your thinking from administrative details to business outcomes with hybrid cloud infrastructure that is assembled from the cloud, shaped to your workloads, and continuously optimized.

The 210c M7 All-NVMe Node is integrate into the Cisco Compute Hyperconverged X-Series Modular System. Up to eight Cisco Compute Hyperconverged Nodes can reside in the 7-Rack-Unit (7RU) Cisco Compute Hyperconverged 9508 Chassis, offering one of the highest densities of compute, IO, and storage per rack unit in the industry.

The 210c M7 All-NVMe Node harnesses the power of the Intel® Xeon® Scalable Processors and refer to the [BASE SERVER STANDARD CAPABILITIES and FEATURES on page 7](#).

Cluster Scale: Nutanix clusters scale is determined by the cluster Management Mode. Check the below [Table 1](#) for more information.

Table 1 HCI Cluster Scale and Limits

Scale	Limit
	Intersight Managed Mode (IMM)
Min. Cluster Size	1
Max. Cluster Size	32
Initial cluster deployment /Node preparation for expansion	16
Cluster expansion	8 at a time
Number of parallel deployments in FC	32

Figure 1 210c M7 All-NVMe Node

Front View with Drives



Cisco Compute-Only (CO) Node Server

Traditional hyperconverged solutions requires scaling compute and storage together. Modern workloads require modern flexibility. When you need to scale compute capacity without adding storage, Cisco Compute-Only (CO) nodes provide that critical capability-empowering you to design clusters that match your exact requirements

Cisco Compute-Only (CO) nodes serve two purposes: expanding hyperconverged node or connecting to external storage like Everpure Flash Array

A) Expanding Cisco Compute Hyperconverged node cluster with Compute-Only (CO) node:

Cisco's Compute-Only (CO) node solution enables you to expand the compute resources of Cisco Hyperconverged cluster running Nutanix by adding UCS certified servers without additional storage. These storage-less, Cisco certified Compute-Only (CO) servers integrate seamlessly into your existing or new hyperconverged Nutanix cluster, allowing organizations to efficiently support CPU-intensive applications by scaling processing resources independently of storage infrastructure.

Key benefits:

- Cost-effective scaling for compute-heavy workloads
- Flexibility in cluster design

Delivering performance, versatility and density without compromise, the Compute-Only (CO) Node addresses the broadest set of workloads.

B) Cisco Compute-Only (CO) node connected to Everpure Flash Array (Flashstack with Nutanix)

Everpure® FlashArray//X™ and FlashArray//XL™ delivers mission-critical performance with the efficiency and resiliency that's missing from legacy arrays. FlashArray //X and FlashArray//XL™ packs more IOPS, ultra consistent latency, and greater scale into a smaller footprint. Non-disruptive upgrades, always-on availability, and built-in data protection ensure workloads are always running while cutting risk. FlashArray//XL is designed to provide the highest performance density with a level of operational and management simplicity. FlashArray//C™ delivers a balanced all-flash storage solution optimized for file services and general-purpose workloads. With predictable performance, streamlined operations, and built-in cyber resiliency, it keeps applications consistently secure and positions organizations to outperform capacity-optimized, all-flash, and hybrid storage alternatives.

Nutanix Cloud Platform (NCP) consolidates computing, storage, and networking into a unified pool. It uses AOS for storage, AHV for virtualization, and Prism Central for centralized management across environments.

The Cisco Compute-Only (CO) node with Nutanix Cloud Platform (NCP) and Everpure FlashArray solution delivers a disaggregated infrastructure architecture that enables independent scaling of compute and storage resources. This solution combines industry-standard Cisco Compute-Only (CO) node servers running Nutanix AHV and AOS connected to external Everpure FlashArray. The FlashStack solution with Nutanix integration provides organizations with the agility to adapt infrastructure resources dynamically while maintaining enterprise-level reliability and performance

Key Benefits:

- Independent Scalability: Scale compute and storage resources separately based on workload demands
- Enterprise-Grade Protection: Built-in data protection and disaster recovery capabilities

- Hybrid Cloud Ready: Seamlessly extend operations across on-premises and cloud environments
- Investment protection - enables using Nutanix Cloud Platform with existing storage.

The Cisco Compute-Only (CO) x210c M7 All NVMe Node incorporates 4th or 5th Gen Intel® Xeon® Scalable Processors with 60 percent more cores per socket and such advanced features as Intel Advanced Matrix Extensions (AMX), Data Streaming Accelerator (DSA), In-Memory Analytics Accelerator (IAA), and QuickAssist Technology (QAT), providing many applications with significant performance improvements. Refer to [***BASE SERVER STANDARD CAPABILITIES and FEATURES on page 7.***](#)

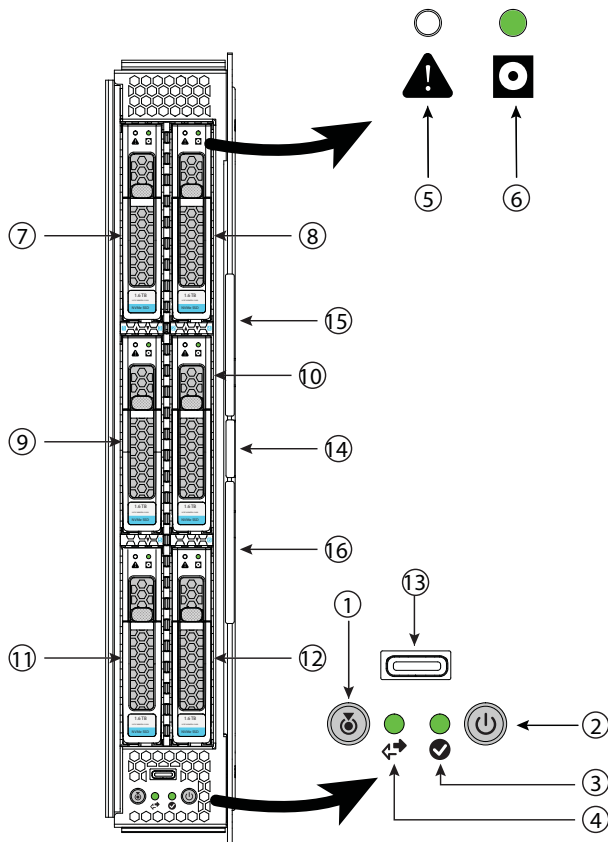
DETAILED VIEWS

210c M7 All-NVMe Node Front View

Figure 2 is a front view of the 210c M7 All-NVMe Node.

Figure 2 210c M7 All-NVMe Node Front View (Drives option)

Storage Drives Option



1	Locate button/LED	9	Drive Bay 3 (shown populated)
2	Power button/LED	10	Drive Bay 4 (shown populated)
3	Status LED	11	Drive Bay 5 (shown populated)
4	Network activity LED	12	Drive Bay 6 (shown populated)
5	Warning LED (one per drive)	13	OCuLink console port ¹
6	Disk drive activity LED (one per drive)	14	Ejector handle retention button
7	Drive Bay 1 (shown populated)	15	Upper ejector handle
8	Drive Bay 2 (shown populated)	16	Lower ejector handle

Notes:

- 1. An adapter cable (PID HCIX-C-DEBUGCBL) is required to connect the OcuLink port to the transition serial USB and video (SUV) octopus cable.

BASE SERVER STANDARD CAPABILITIES and FEATURES

Table 2 lists the capabilities and features of the base 210c M7 All-NVMe Node. Details about how to configure the Cisco Compute Hyperconverged Node for a listed feature or capability (for example, number of processors, disk drives, or amount of memory) are provided in [CONFIGURING THE CISCO COMPUTE HYPERCONVERGED NODE SERVER on page 9](#) and [CONFIGURING THE CISCO COMPUTE-ONLY \(CO\) NODE SERVER on page 32](#)

Table 2 Capabilities and Features


Capability/Feature	Description
Chassis	<p>The 210c M7 All-NVMe Node mounts in a 9508 chassis.</p> <p>NOTE: Customers can now scale their Cisco UCS X9508 chassis with UCS X-Series Direct environment with a second Cisco UCS X9508 Chassis supporting up to 8 compute nodes and up to 4 UCS C-Series rack servers</p> <p>For more information, please refer</p> <ul style="list-style-type: none"> ■ Cisco UCS X-Series Direct Data Sheet ■ Cisco UCS X-Series Intersight document
CPU	<ul style="list-style-type: none"> ■ One or two 5th Gen. Intel® Xeon® Scalable Processors or One or two 4th Gen. Intel® Xeon® Scalable Processors. ■ Each CPU has 8 channels with up to 2 DIMMs per channel, for up to 16 DIMMs per CPU. ■ UPI Links: Up to 4 at 20GT/s
Chipset	Intel® C741 series chipset
Memory	<ul style="list-style-type: none"> ■ 32 total DDR5-5600 MT/s DIMM slots with 5th Gen. Intel® Xeon® Scalable Processors (16 per CPU) or 32 total DDR5-4800 MT/s DIMM slots with 4th Gen. Intel® Xeon® Scalable Processors ■ Up to 8TB DDR5-5600 DIMM memory capacity (32x 256GB DIMMs) with 5th Gen. Intel® Xeon® Scalable Processors or Up to 8TB DDR5-4800 DIMM memory capacity (32x 256GB DIMMs) with 4th Gen. Intel® Xeon® Scalable Processors ■ 75% peak bandwidth increase over DDR4-3200, with on-die ECC; all densities are Registered DIMMs (RDIMMs)
Storage (Applicable to hyperconverged Node Only)	3 to 6 Non-Volatile Memory Express (NVMe) 2.5-inch drives with a choice of pass-through controllers with four lanes each of PCIe Gen 4 connectivity and up to 2 M.2 SATA or NVMe drives for flexible boot and local storage capabilities.
Additional Storage	Dual 80 mm SATA 3.0 M.2 cards (up to 480GB per card) on a boot-optimized hardware RAID controller
Mezzanine Adapters (Front)	<p>One front mezzanine connector that supports:</p> <ul style="list-style-type: none"> ■ Up to 6 x 2.5-inch NVMe PCIe drives  <p>Note: Drives pass-through controller in the front mezzanine module slot.</p>

Table 2 Capabilities and Features (*continued*)

Capability/Feature	Description
Mezzanine Adapter (Rear)	<ul style="list-style-type: none"> ■ An optional Cisco Virtual Interface Card 15422 can occupy the server’s mezzanine slot at the bottom of the chassis. A bridge card extends this VIC’s 2x 50Gbps of network connections up to the mLOM slot and out through the mLOM’s IFM connectors, bringing the total bandwidth to 100Gbps per fabric—a total of 200Gbps per server. ■ An optional PCIe Mezz card for X-Fabric is also supported in the server’s mezzanine slot. This card’s I/O connectors link to the Cisco X-Fabric modules for Hyperconverged X-Series Gen4 PCIe node access.
mLOM	<p>The modular LAN on motherboard (mLOM) cards (the Cisco VIC 15230 and 15420) is located at the rear of the Cisco Compute Hyperconverged Node.</p> <ul style="list-style-type: none"> ■ The Cisco Virtual Interface Card VIC 15420 is a Cisco designed PCI Express (PCIe) based card that supports two 2x25G-KR network interfaces to provide Ethernet communication to the network by means of the Intelligent Fabric Modules (IFMs) in the Cisco Compute Hyperconverged 9508 chassis. The Cisco VIC 15420 mLOM can connect to the rear mezzanine adapter card with a bridge connector. ■ The Cisco Virtual Interface Card (VIC) 15230 occupies the server’s modular LAN on motherboard (mLOM) slot, enabling up to 100 Gbps of unified fabric connectivity to each of the chassis Intelligent Fabric Modules (IFMs) for 100 Gbps connectivity per server with secure boot capability.
Video	The Cisco Integrated Management Controller (CIMC) provides video using the Aspeed AST2600 video/graphics controller.
Front Panel Interfaces	OCuLink console port. Note that an adapter cable is required to connect the OcuLink port to the transition serial USB and video (SUV) octopus cable.
Power subsystem	Power is supplied from the Cisco Compute Hyperconverged 9508 chassis power supplies. The 210c M7 All-NVMe Node consumes a maximum of 1300 W.
Fans	Integrated in the Cisco Compute Hyperconverged 9508 chassis.
Integrated management processor	The built-in Cisco Integrated Management Controller enables monitoring of 210c M7 All-NVMe Node inventory, health, and system event logs.
Baseboard Management Controller (BMC)	ASPEED Pilot IV
ACPI	Advanced Configuration and Power Interface (ACPI) 6.5 Standard Supported. ACPI states S0 and S5 are supported. There is no support for states S1 through S4.
Front Indicators	<ul style="list-style-type: none"> ■ Power button and indicator ■ System activity indicator ■ Location button and indicator
Management	<ul style="list-style-type: none"> ■ Cisco Intersight software (SaaS, Virtual Appliance and Private Virtual Appliance)
Fabric Interconnect	Compatible with the Cisco HCIX 6454, 64108 and 6536 fabric interconnects

CONFIGURING THE CISCO COMPUTE HYPERCONVERGED NODE SERVER

Follow these steps to configure the server:

- *STEP 1 CHOOSE BASE CISCO COMPUTE HYPERCONVERGED NODE SKU, page 10*
- *STEP 2 CHOOSE CPU(S), page 11*
- *STEP 3 CHOOSE MEMORY, page 16*
- *STEP 4 CHOOSE REAR mLOM ADAPTER, page 20*
- *STEP 5 CHOOSE OPTIONAL REAR MEZZANINE VIC/BRIDGE ADAPTERS, page 24*
- *STEP 6 CHOOSE FRONT MEZZANINE ADAPTER, page 26*
- *STEP 7 CHOOSE OPTIONAL GPU PCIe NODE, page 27*
- *STEP 8 CHOOSE DRIVES (REQUIRED), page 28*
- *STEP 9 SELECT M.2 SATA SSDs AND RAID CONTROLLER, page 29*
- *STEP 10 CHOOSE OPTIONAL TRUSTED PLATFORM MODULE, page 30*
- *STEP 11 SELECT HYPERVISOR, page 31*
- *NUTANIX SOFTWARE AND NUTANIX PROFESSIONAL SERVICES, page 58*

STEP 1 CHOOSE BASE CISCO COMPUTE HYPERCONVERGED NODE SKU

Top Level ordering product ID (PID) of the HCIX210c M7 All-NVMe Node as shown in [Table 3](#).

Table 3 Top level ordering PID

Product ID (PID)	Description
HCIX-M7-MLB	Cisco Compute Hyperconverged and Compute-Only X-Series M7 with Nutanix MLB

Select the product ID (PID) of the 210c M7 All-NVMe Node as shown in [Table 4](#).

Table 4 PID of the Base 210c M7 All-NVMe Node

Product ID (PID)	Description
HCIX210C-M7SN	Cisco Compute Hyperconverged 210cM7 All NVMe Nutanix Node
HCIX210C-M7SN-U	Cisco Compute Hyperconverged 210cM7 All NVMe Nutanix Node



NOTE:

- A base 210c M7 All-NVMe Node ordered in [Table 4](#) does not include any components or options. They must be selected during product ordering.

Please follow the steps on the following pages to order components such as the following, which are required in a functional Cisco Compute Hyperconverged Node:

- CPUs
- Memory
- Storage controller
- Drives
- Cisco adapters

STEP 2 CHOOSE CPU(S)

The standard CPU features are:

- The 5th Gen Intel® Xeon® Scalable Processors are paired with Intel® C741 series chipset:
 - Up to 64 cores
 - Cache size of up to 320 MB
 - Power: Up to 350Watts
 - UPI Links: Up to 4 at 20GT/s

With 5th Gen Intel® Xeon® Processors, improve performance and efficiency while reducing costs. See [5TH GEN INTEL XEON BENEFIT PILLARS](#)

- The 4th Gen Intel® Xeon® Scalable Processors are paired with Intel® C741 series chipset:
 - Up to 60 cores
 - Cache size of up to 112.50 MB
 - Power: Up to 350Watts
 - UPI Links: Up to 4 at 16GT/s

With 4th Gen Intel® Xeon® processors, improve performance efficiency for critical workloads with the most built-in accelerators. See 4th gen intel xeon benefit pillars in [LEADERSHIP PERFORMANCE WITH 4TH GEN INTEL® XEON® PROCESSORS](#).

Select CPUs

- The available 5th Gen Intel® Xeon® Scalable CPUs are listed in [Table 5](#). See [Table 7 on page 15](#) for CPU suffix notations.
- The available 4th Gen Intel® Xeon® Scalable CPUs are listed in [Table 6](#). See [Table 7 on page 15](#) for CPU suffix notations.

Table 5 Available 5th Gen. Intel® Xeon® Scalable CPUs

Product ID (PID)	Segment/Workload	Maximum Socket (S)	Cores (C)	Clock Freq (GHz)	Power (W)	Cache Size (MB)	Highest DDR5 DIMM Clock Support (MT/s)
8000 Series Processors							
HCIX-CPU-I8592V	Cloud/SaaS/aaS	2S	64	2.00	330	320.00	4800
HCIX-CPU-I8592+	2S Performance	2S	64	1.90	350	320.00	5600
HCIX-CPU-I8581V ¹	1-S Cloud/SaaS	1S	60	2.00	270	300.00	4800
HCIX-CPU-I8580	2S Performance	2S	60	2.00	350	300.00	5600
HCIX-CPU-I8571N ¹	1-S Networking	1S	52	2.40	300	300.00	4800
HCIX-CPU-I8570	2S Performance	2S	56	2.10	350	300.00	5600
HCIX-CPU-I8568Y+	2S Performance	2S	48	2.30	350	300.00	5600

Table 5 Available 5th Gen. Intel® Xeon® Scalable CPUs

Product ID (PID)	Segment/Workload	Maximum Socket (S)	Cores (C)	Clock Freq (GHz)	Power (W)	Cache Size (MB)	Highest DDR5 DIMM Clock Support (MT/s)
HCIX-CPU-I8562Y+	2S Performance	2S	32	2.80	300	60.00	5600
HCIX-CPU-I8558P	Cloud/SaaS/IaaS	2S	48	2.70	350	260.00	5600
HCIX-CPU-I8558	2S Mainline	2S	48	2.10	330	260.00	5200
6000 Series Processors							
HCIX-CPU-I6554S	Storage	2S	36	2.20	270	180.00	5200
HCIX-CPU-I6548Y+	2S Performance	2S	32	2.50	250	60.00	5200
HCIX-CPU-I6548N	Networking	2S	32	2.80	250	60.00	5200
HCIX-CPU-I6544Y	2S Performance	2S	16	3.60	270	45.00	5200
HCIX-CPU-I6542Y	2S Performance	2S	24	2.90	250	60.00	5200
HCIX-CPU-I6538Y+	2S Mainline	2S	32	2.20	225	60.00	5200
HCIX-CPU-I6538N	Networking	2S	32	2.10	205	60.00	5200
HCIX-CPU-I6534	2S Performance	2S	8	3.90	195	22.50	4800
HCIX-CPU-I6530	2S Mainline	2S	32	2.10	270	160.00	4800
HCIX-CPU-I6526Y	2S Performance	2S	16	2.80	195	37.50	5200
5000 Series Processors							
HCIX-CPU-I5520+	2S Mainline	2S	28	2.20	205	52.50	4800
HCIX-CPU-I5515+	2S Performance	2S	8	3.20	165	22.50	4800
HCIX-CPU-I5512U	1-Socket Optimized	1S	28	2.10	185	52.50	4800
4000 Series Processors							
HCIX-CPU-I4516Y+	2S Mainline	2S	24	2.20	185	45.00	4400
HCIX-CPU-I4514Y	2S Mainline	2S	16	2.00	150	30.00	4400
HCIX-CPU-I4510T ²	EDGE (IOT)	2S	12	2.00	115	30.00	4400
HCIX-CPU-I4510 ¹	2S Mainline	2S	12	2.40	150	30.00	4400
HCIX-CPU-I4509Y ¹	2S Mainline	2S	8	2.60	125	22.50	4400

Notes:

1. You cannot have two of these CPUs in a two-CPU configuration and you cannot later upgrade to a 2-CPU system with two of these CPUs.
2. 48GB and 96GB memory DIMMs not supported on HCIX-CPU-I4509Y, HCIX-CPU-I4510, HCIX-CPU-I4510T

Table 6 Available 4th Gen. Intel® Xeon® Scalable CPUs

Product ID (PID)	Segment/Workload	Maximum Socket (S)	Cores (C)	Clock Freq (GHz)	Power (W)	Cache Size (MB)	Highest DDR5 DIMM Clock Support (MT/s)
8000 Series Processors							
HCIX-CPU-I8490H	IMDB/Analytics	2S	60	1.90	350	112.50	4800
HCIX-CPU-I8480+	2S Performance	2S	56	2.00	350	105.00	4800
HCIX-CPU-I8471N ¹	5G/Networking	1S	52	1.80	300	97.50	4800
HCIX-CPU-I8470N	5G/Networking	2S	52	1.70	300	97.50	4800
HCIX-CPU-I8470	2S Performance	2S	52	2.00	350	105.00	4800
HCIX-CPU-I8468V	Cloud/SaaS/Media	2S	48	2.40	330	97.50	4800
HCIX-CPU-I8468H	IMDB/Analytics	2S	48	2.10	330	105.00	4800
HCIX-CPU-I8468	2S Performance	2S	48	2.10	350	105.00	4800
HCIX-CPU-I8462Y+	2S Performance	2S	32	2.80	300	60.00	4800
HCIX-CPU-I8461V ¹	Cloud/SaaS/Media	1S	48	2.20	300	97.50	4800
HCIX-CPU-I8460Y+	2S Performance	2S	40	2.00	300	105.00	4800
HCIX-CPU-I8460H	IMDB/Analytics	2S	40	2.20	330	105.00	4800
HCIX-CPU-I8458P	Cloud/SaaS/Media	2S	44	2.70	350	82.50	4800
HCIX-CPU-I8454H	IMDB/Analytics	2S	32	2.10	270	82.50	4800
HCIX-CPU-I8452Y	2S Mainline	2S	36	2.00	300	67.50	4800
HCIX-CPU-I8450H	IMDB/Analytics	2S	28	2.00	250	75.00	4800
HCIX-CPU-I8444H	IMDB/Analytics	2S	16	2.90	270	45.00	4800
6000 Series Processors							
HCIX-CPU-I6454S	Storage	2S	32	2.20	270	60.00	4800
HCIX-CPU-I6448Y	2S Performance	2S	32	2.10	225	60.00	4800
HCIX-CPU-I6448H	IMDB/Analytics	2S	32	2.40	250	60.00	4800
HCIX-CPU-I6444Y	2S Performance	2S	16	3.60	270	45.00	4800
HCIX-CPU-I6442Y	2S Performance	2S	24	2.60	225	60.00	4800
HCIX-CPU-I6438Y+	2S Mainline	2S	32	2.00	205	60.00	4800
HCIX-CPU-I6438N	5G/Networking	2S	32	2.00	205	60.00	4800
HCIX-CPU-I6438M	Cloud/SaaS/Media	2S	32	2.20	205	60.00	4800
HCIX-CPU-I6434H	IMDB/Analytics	2S	8	3.70	195	22.50	4800
HCIX-CPU-I6434	2S Performance	2S	8	3.70	195	22.50	4800
HCIX-CPU-I6430	2S Mainline	2S	32	2.10	270	60.00	4400
HCIX-CPU-I6428N	5G/Networking	2S	32	1.80	185	60.00	4000

Table 6 Available 4th Gen. Intel® Xeon® Scalable CPUs

Product ID (PID)	Segment/Workload	Maximum Socket (S)	Cores (C)	Clock Freq (GHz)	Power (W)	Cache Size (MB)	Highest DDR5 DIMM Clock Support (MT/s)
HCIX-CPU-I6426Y	2S Performance	2S	16	2.50	185	37.50	4800
HCIX-CPU-I6421N ¹	5G/Networking	1S	32	1.80	185	60.00	4400
HCIX-CPU-I6418H	IMDB/Analytics	2S	24	2.10	185	60.00	4800
HCIX-CPU-I6416H	IMDB/Analytics	2S	18	2.20	165	45.00	4800
HCIX-CPU-I6414U ¹	1S gen. purpose	1S	32	2.00	250	60.00	4800
5000 Series Processors							
HCIX-CPU-I5420+	2S Mainline	2S	28	2.00	205	52.50	4400
HCIX-CPU-I5418Y	2S Mainline	2S	24	2.00	185	45.00	4400
HCIX-CPU-I5418N	5G/Networking	2S	24	1.80	165	45.00	4000
HCIX-CPU-I5416S	Storage	2S	16	2.00	150	30.00	4400
HCIX-CPU-I5415+	2S Performance	2S	8	2.90	150	22.50	4400
HCIX-CPU-I5412U ¹	1S gen. purpose	1S	24	2.10	185	45.00	4400
HCIX-CPU-I5411N ¹	5G/Networking	1S	24	1.90	165	45.00	4400
4000 Series Processors							
HCIX-CPU-I4416+	2S Mainline	2S	20	2.00	165	37.50	4000
HCIX-CPU-I4410Y	2S Mainline	2S	12	2.00	150	30.00	4000
HCIX-CPU-I4410T	IOT	2S	10	2.70	150	26.25	4000

Notes:

1. You cannot have two of these CPUs in a two-CPU configuration and you cannot later upgrade to a 2-CPU system with two of these CPUs.

Table 7 CPU Suffixes

CPU Suffix	Description	Features
P	Cloud (IaaS)	Designed for cloud IaaS environments to deliver higher frequencies at constrained TDPs
V	Cloud (SaaS)	Designed for high rack density, maximize VM/core, and lower power VM environment
M	Media Transcode	Designed for Media processing, AI, and HPC workloads
H	DB and Analytics	Designed for Data Analytics and Big Data usages
N	Network/5G/Edge (High TDP/Low latency)	Designed and optimized for a range of broadly-deployed network and 5G workload environments from Edge to the Data Center
S	Storage & HCI	Designed for Storage usages and workloads
T	Long-life Use/High Tcase	Designed for Network Environment-Building System (NEBS) and IoT market
U	1-Socket	Optimized for targeted platforms adequately served by the cores, memory bandwidth and IO capacity available from a single processor
Y	General SKU with SST-PP	Designator is used for general SKU stack to highlight SST-PP (Speed Select Technology Performance Profile) feature enabled
+	Feature Plus SKU	Designed to enable 1 instance of each DSA, IAA, QAT, DLB embedded accelerator

Supported Configurations

(1) One-CPU Configuration

- Choose one identical CPUs from any one of the rows of [Table 5 on page 11](#) or [Table 6 on page 13](#).

(2) Two-CPU Configuration

- Choose two identical CPUs from any one of the rows of [Table 5 on page 11](#) or [Table 6 on page 13](#).

STEP 3 CHOOSE MEMORY

The [Table 8](#) below describes the main memory DIMM features supported on 210c M7 All-NVMe Node.

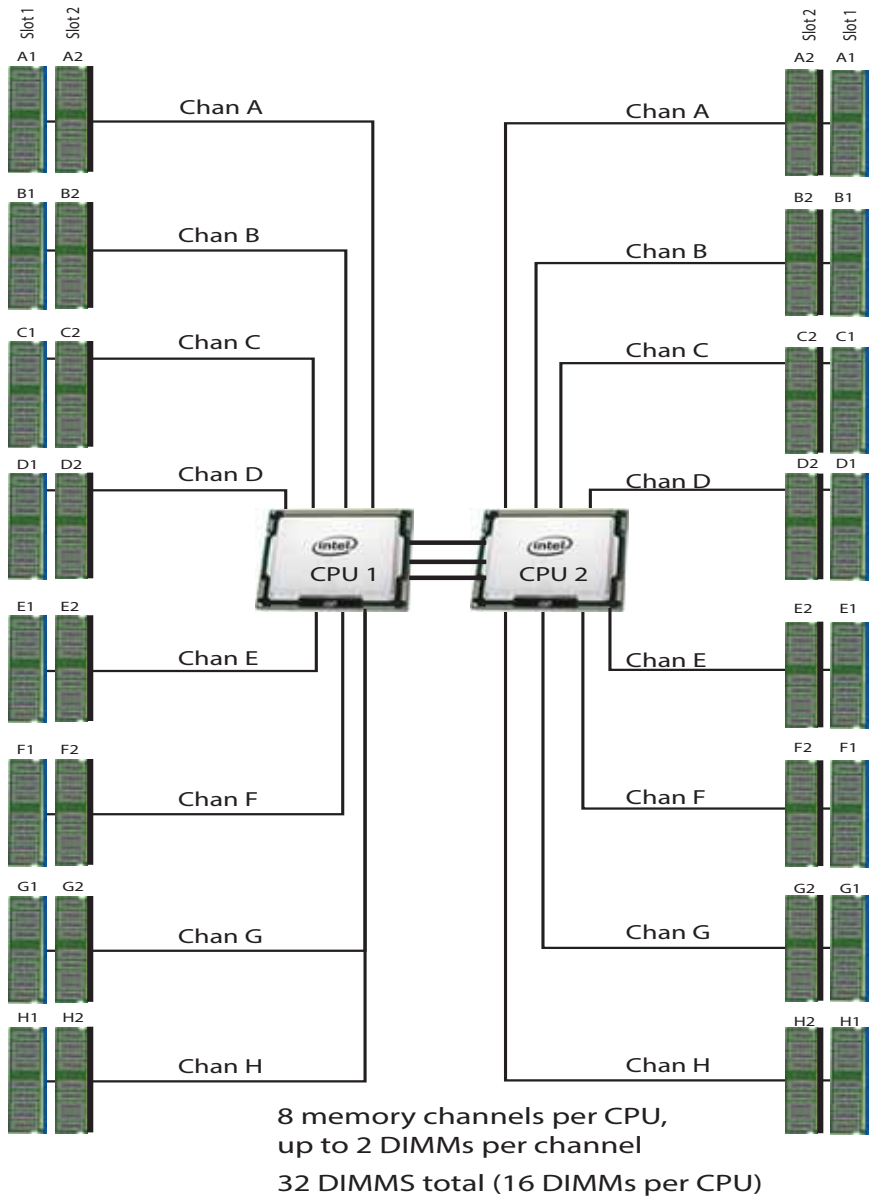


CAUTION: When populating 256GB DIMMs, the ambient temperature shall be limited to a maximum of 32°C.

Table 8 M7 Main Memory Features

Memory DIMM server technologies	Description
DDR5 memory clock speed	4th Gen. CPU: Up to 4800MT/s 1DPC; Up to 4400MT/s 2DPC
	5th Gen. CPU: Up to 5600MT/s 1DPC; Up to 4400MT/s 2DPC
Operational voltage	1.1 Volts
DRAM fab density	16Gb, 24Gb and 32Gb
DRAM DIMM type	RDIMM (Registered DDR5 DIMM with on die ECC)
Memory DIMM organization	Eight memory DIMM channels per CPU; up to 2 DIMMs per channel
Maximum number of DRAM DIMM per server	32 (2-Socket)
DRAM DIMM Densities and Ranks	Refer to Table 9 and Table 10
Maximum system capacity (DRAM DIMMs only)	8TB (32x256GB)

Figure 3 210c M7 All-NVMe Node Memory Organization



Select DIMMs

The available memory DIMMs are listed in [Table 9](#) and [Table 10](#).

Table 9 Memory Options for M7 servers with Intel® Xeon® 4th Gen. CPUs

Product ID (PID)	PID Description	Ranks/DIMM
DDR5-5600MT/s PID list¹		
HCIX-MRX16G1RE3	16GB DDR5-5600 RDIMM 1Rx8 (16Gb)	1
HCIX-MRX32G1RE3	32GB DDR5-5600 RDIMM 1Rx4 (16Gb)	1
HCIX-MRX64G2RE3	64GB DDR5-5600 RDIMM 2Rx4 (16Gb)	2
HCIX-MR128G2RG3	128GB DDR5-5600 RDIMM 2Rx4 (32Gb)	2
Accessories/spare included with Memory configuration:		
<ul style="list-style-type: none"> ■ UCS-DDR5-BLK² is auto included for the unselected DIMMs slots 		

Notes:

1. Memory will operate at the maximum speed of the Intel 4th Gen. CPU memory controller, ranging from 4000 MT/s to 4800 MT/s.
2. Any empty DIMM slot must be populated with a DIMM blank to maintain proper cooling airflow.

Table 10 Memory Options for M7 servers with Intel® Xeon® 5th Gen. CPUs¹

Product ID (PID)	PID Description	Ranks/DIMM
DDR5-5600MT/s PID list		
HCIX-MRX16G1RE3	16GB DDR5-5600 RDIMM 1Rx8 (16Gb)	1
HCIX-MRX32G1RE3	32GB DDR5-5600 RDIMM 1Rx4 (16Gb)	1
HCIX-MRX48G1RF3 ²	48GB DDR5-5600 RDIMM 1Rx4 (24Gb)	1
HCIX-MRX96G2RF3 ²	96GB DDR5-5600 RDIMM 2Rx4 (24Gb)	2
HCIX-MR128G2RG3	128GB DDR5-5600 RDIMM 2Rx4 (32Gb)	2
HCIX-MR128G4RE3 ³	128GB DDR5-5600 RDIMM 4Rx4 (16Gb)	4
DDR5-6400MT/s PID list		
UCSX-MR256G4RG5 ⁴	256GB DDR5-6400 RDIMM 4Rx4 (32Gb)	4
Accessories/spare included with Memory configuration:		
<ul style="list-style-type: none"> ■ UCS-DDR5-BLK⁵ is auto included for the unselected DIMMs slots 		

Notes:

1. Memory will operate at the maximum speed of the Intel 5th Gen. CPU memory controller, ranging from 4400 MT/s to 5600 MT/s.
2. 48GB and 96GB cannot be paired with Intel 5th Gen. CPUs 3508U, 4509Y, 4510, and 4510T SKUs.
3. 128GB 4Rx4 (16Gb) is now End-Of-Life and is replaced by 128GB 2Rx4 (32Gb).
4. Available in Q2'CY26
5. Any empty DIMM slot must be populated with a DIMM blank to maintain proper cooling airflow.

Memory configurations and mixing rules

- Golden Rule: Memory on every CPU socket shall be configured identically.
- System speed is dependent on the CPU DIMM speed support. Refer to [Available 4th Gen. Intel® Xeon® Scalable CPUs on page 13](#) and [Available 5th Gen. Intel® Xeon® Scalable CPUs on page 11](#) for DIMM speeds.
- For full details on supported memory configurations see the [M7 Memory Guide](#).

STEP 4 CHOOSE REAR mLOM ADAPTER

The 210c M7 All-NVMe Node must be ordered with a Cisco VIC mLOM Adapter. The adapter is located at the back and can operate in a single-CPU or dual-CPU configuration. [Table 11](#) shows the mLOM adapter choices.

Table 11 mLOM Adapters

Product ID (PID)	Description	Connection type
HCIX-MLV5D200GV2	Cisco VIC 15230 modular LOM w/Secure Boot X Cisco Compute Hyperconverged Node	mLOM
HCIX-ML-V5Q50G	Cisco VIC 15420 4x25G secure boot mLOM for X Cisco Compute Hyperconverged Node	mLOM



NOTE:

- VIC 15420 are supported with both X9108-IFM-25G and X9108-IFM-100G. VIC 15420 will operate at 4x 25G with both X9108-IFM-25G and X9108-IFM-100G. While, VIC 15230 will operate at 4x 25G with X9108-IFM-25G and at 2x 100G with X9108-IFM-100G.
- The mLOM adapter is mandatory for the Ethernet connectivity to the network by means of the IFMs and has x16 PCIe Gen4 connectivity with Cisco VIC 15420 or x16 Gen4 connectivity with Cisco VIC 15230 towards the CPU1.
- There is no backplane in the Cisco Compute Hyperconverged 9508 chassis; thus, the Cisco Compute Hyperconverged Nodes directly connect to the IFMs using Orthogonal Direct connectors.
- [Figure 4](#) shows the location of the mLOM and rear mezzanine adapters on the 210c M7 All-NVMe Node. The bridge adapter connects the mLOM adapter to the rear mezzanine adapter.

Figure 4 Location of mLOM and Rear Mezzanine Adapters

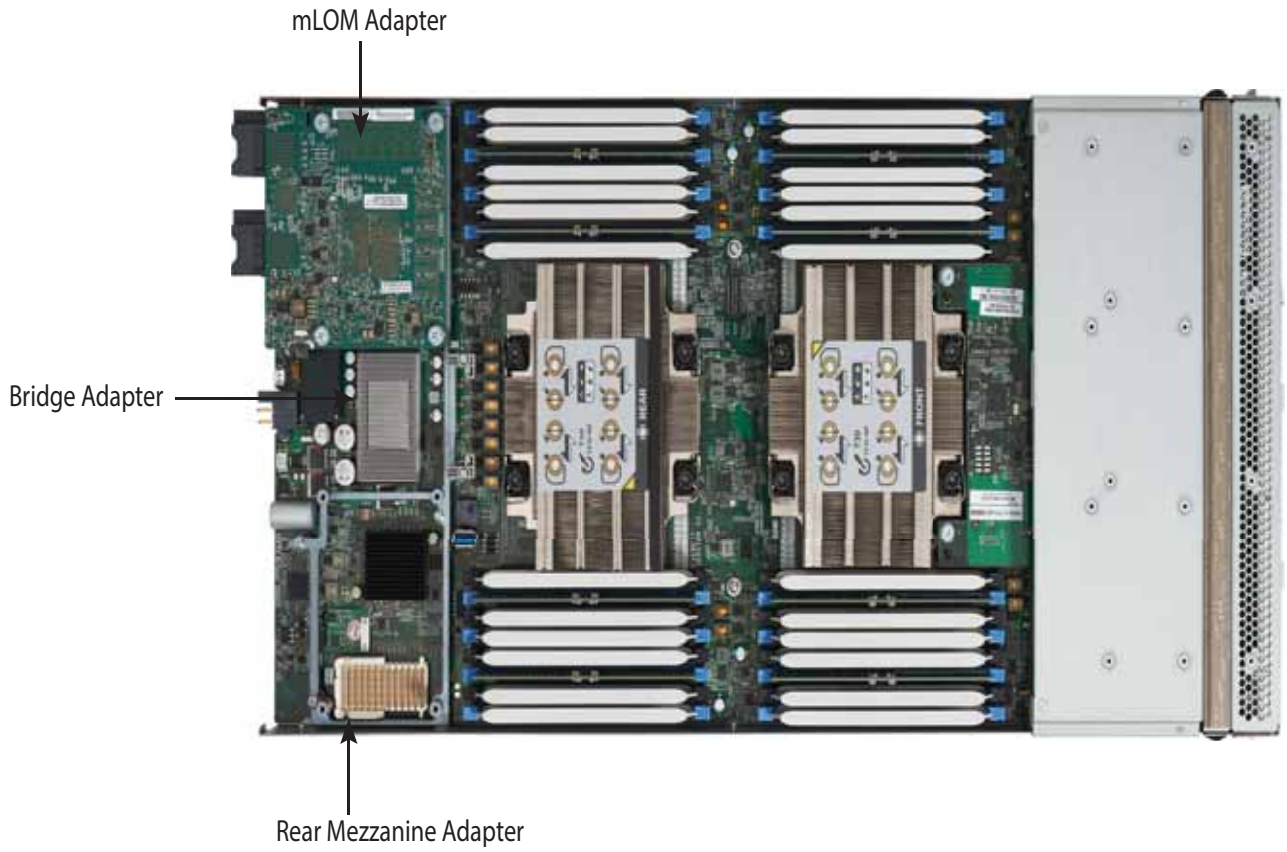


Figure 5 shows the network connectivity from the mLOM out to the 25G IFMs.

Figure 5 Network Connectivity 25G IFMs

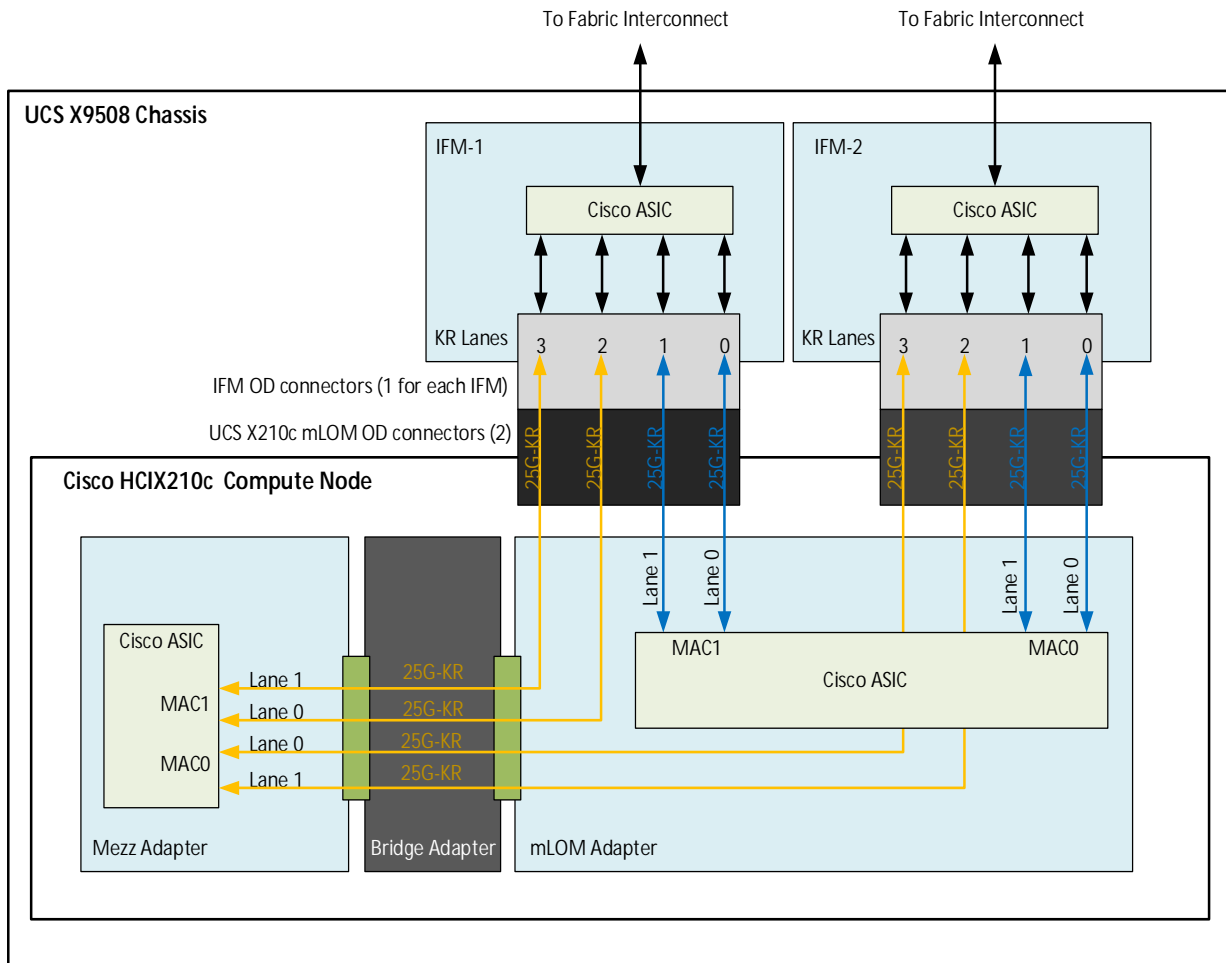
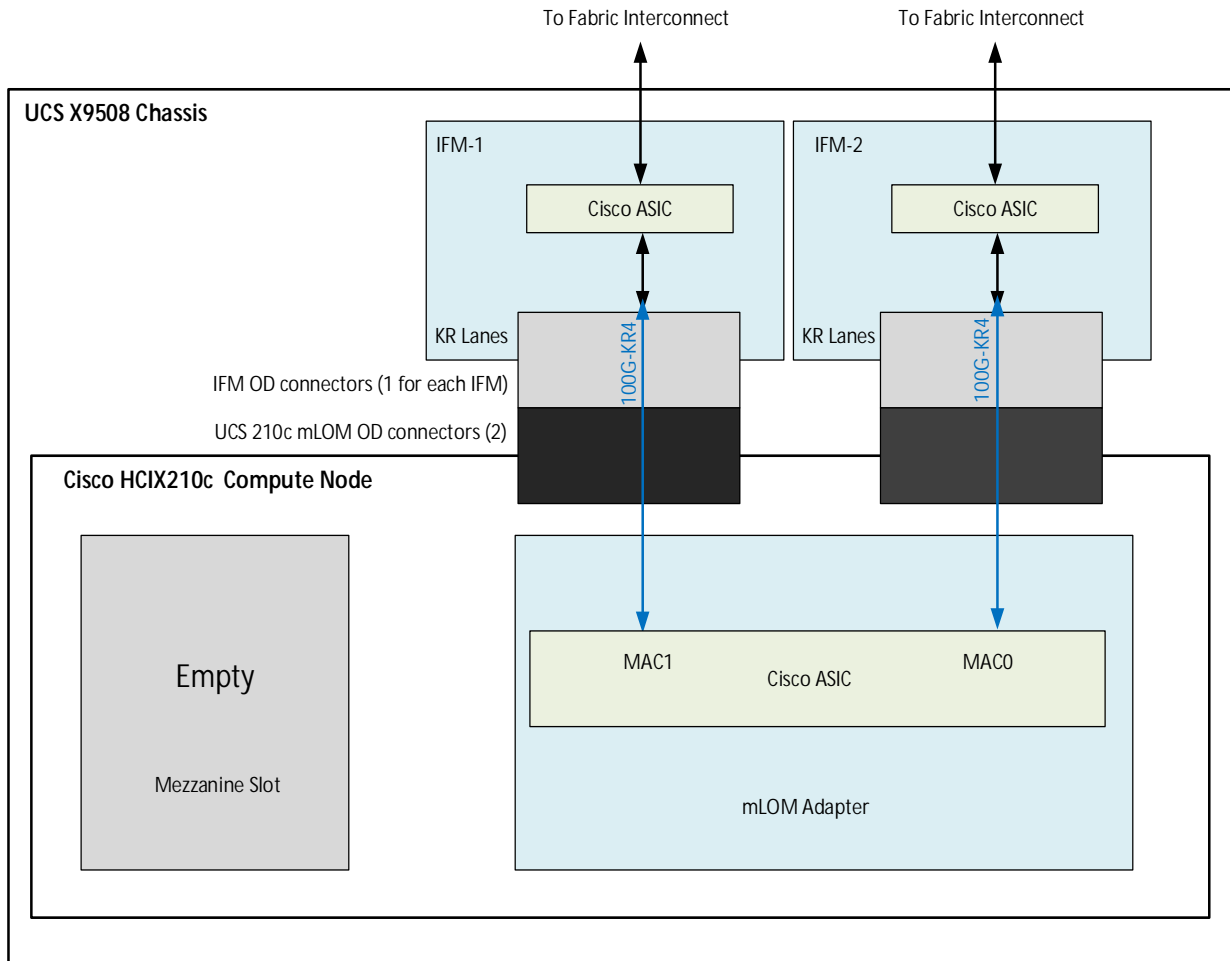


Figure 6 shows the network connectivity from the mLOM out to the 100G IFMs.

Figure 6 Network Connectivity 100G IFMs



STEP 5 CHOOSE OPTIONAL REAR MEZZANINE VIC/BRIDGE ADAPTERS

The 210c M7 All-NVMe Node has one rear mezzanine adapter connector which can have a VIC 15422 Mezz card that can be used as a second VIC card on the Cisco Compute Hyperconverged Node for network connectivity or as a connector to the X440p PCIe node via X-Fabric modules. The same mezzanine slot on the Cisco Compute Hyperconverged Node can also accommodate a pass-through mezzanine adapter for X-Fabric which enables Cisco Compute Hyperconverged Node connectivity to the X440p PCIe node. Refer to [Table 12](#) for supported adapters.

Table 12 Available Rear Mezzanine Adapters

Product ID (PID)	PID Description	CPUs Required	Connector Type
Cisco VIC Card			
HCIX-V4-PCIME ¹	PCI Mezz Card for X-Fabric	2 CPUs required	Rear Mezzanine connector on motherboard
HCIX-ME-V5Q50G	VIC 15422 4x25G secure boot mezz for X Cisco Compute Hyperconverged Node	2 CPUs required	Rear Mezzanine connector on motherboard
Cisco VIC Bridge Card²			
HCIX-V5-BRIDGE	VIC 15000 bridge to connect mLOM and mezz X Cisco Compute Hyperconverged Node (This bridge to connect the Cisco VIC 15420 mLOM and Cisco VIC 15422 Mezz for the 210c M7 All-NVMe Node)	2 CPUs required	One connector on Mezz card and one connector on mLOM card

Notes:

1. If this adapter is selected, then two CPUs are required and HCIX-ME-V5Q50G or HCIX-V4-PCIME is required.
2. Included with the Cisco VIC 15422 mezzanine adapter.



NOTE: The HCIX-V4-PCIME rear mezzanine card for X-Fabric has PCIe Gen4 x16 connectivity towards each CPU1 and CPU2. Additionally, the HCIX-V4-PCIME also provides two PCIe Gen4 x16 to each X-fabric. This rear mezzanine card enables connectivity from the 210c M7 All-NVMe Node to the X440p PCIe node.

Table 13 Throughput Per 210c M7 All-NVMe Node

HCIX210c M7 Cisco Compute Hyperconverged Node	FI-6536 + X9108-IFM-100G	FI-6536/6400 + X9108-IFM-25G	FI-6536 + X9108-IFM-25G/100G or FI-6400 + X9108-IFM-25G	FI-6536 + X9108-IFM-25G/100G or FI-6400 + X9108-IFM-25G	
X210c configuration	VIC 15230	VIC 15230	VIC 15420	VIC 15420 + VIC 15422	
Throughput per node	200G (100G per IFM)	100G (50G per IFM)	100G (50G per IFM)	200G (100G per IFM)	
vNICs needed for max BW	2	2	2	4	
KR connectivity from VIC to each IFM	1x 100GKR	2x 25GKR	2x 25GKR	4x 25GKR	
Single vNIC throughput on VIC	100G (1x100GKR)	50G (2x25G KR)	50G (2x25G KR)	50G (2x25G KR)	50G (2x25G KR)
Max Single flow BW per vNIC	100G	25G	25G	25G	25G
Single vHBA throughput on VIC	100G	50G	50G	50G	50G

Supported Configurations

- One of mLOM VIC from [Table 11](#) is always required.
- If a HCIX-ME-V5Q50G rear mezzanine VIC card is installed, a HCIX-V5-BRIDGE VIC bridge card is included and connects the mLOM to the mezzanine adapter.
- The HCIX-ME-V5Q50G rear mezzanine card has Ethernet connectivity to the IFM using the HCIX-V5-BRIDGE and has a PCIe Gen4 x16 connectivity towards CPU2. Additionally, the HCIX-ME-V5Q50G also provides two PCIe Gen4 x16 to each X-fabric.
- All the connections to Cisco X-Fabric 1 and Cisco X-Fabric 2 are through the Molex Orthogonal Direct (OD) connector on the mezzanine card.
- The rear mezzanine card has 32 x16PCIe lanes to each Cisco X-Fabric for I/O expansion to enable resource consumption from the PCIe resource nodes.

STEP 6 CHOOSE FRONT MEZZANINE ADAPTER

The 210c M7 All-NVMe Node has one front mezzanine connector that can accommodate one of the following mezzanine cards:

- Pass-through controller for up to 6 U.2/U.3 NVMe drives.



NOTE: The 210c M7 All-NVMe Node can be ordered with or without the front mezzanine adapter. Refer to [Table 14 Available Front Mezzanine Adapters](#)

Table 14 Available Front Mezzanine Adapters

Product ID(PID)	PID Description	Connector Type
HCIX-X10C-PT4F	210c M7 All-NVMe Node compute pass through controller for up to 6 NVMe drives	Front Mezzanine

STEP 7 CHOOSE OPTIONAL GPU PCIe NODE

Select GPU PCIe Node



NOTE: If PCIe Node is selected, then rear mezzanine is required.

Table 15 GPU PCIe Node

Product ID(PID)	PID Description
HCIX-440P	UCS X-Series Gen4 PCIe node



NOTE:

The available PCIe node GPU options are listed in:

- For the supported GPU card supported on the x440P PCIe Node is listed on the <https://www.cisco.com/c/dam/en/us/products/collateral/hyperconverged-infrastructure/compute-hyperconverged-nutanix/compute-hyperconverged-440p-pcie-node-ds.pdf> , Step 3, Order GPU Cards.
-

STEP 8 CHOOSE DRIVES (REQUIRED)

The available drives are listed in [Table 16](#).

Table 16 Available Capacity Drives

Product ID (PID)	PID Description	Drive Type	Capacity
Capacity Drive			
HCIX-NVB1T9O1V	1.9TB 2.5in U.2 15mm Solidigm P5520 Hg Perf Med End 1X NVMe	U.2 NVMe	1.9TB
HCIX-NVB3T8O1V	3.8TB 2.5in U.2 15mm Solidigm P5520 Hg Perf Med End 1X NVMe	U.2 NVMe	3.8TB
HCIX-NVB7T6O1V	7.6TB 2.5in U.2 15mm Solidigm P5520 Hg Perf Med End 1X NVMe	U.2 NVMe	7.6TB
HCIX-NVB15TO1V	15.3TB 2.5in U.2 15mm Solidigm P5520 Hg Perf Med End 1X NVMe	U.2 NVMe	15.3TB
HCIX-NVMEG4-M1536	15.3TB 2.5in U.3 15mm P7450 Hg Perf Med End NVMe	U.3 NVMe	15.3TB
HCIX-NVB7T6M2V9	7.6TB 2.5in U.3 15mm Micron 7500 HgPerf MedEnd 1X NVMe FIPS	U.3 NVMe	7.6 TB
HCIX-NVB1T9M2V	1.9TB 2.5in U.3 15mm Micron 7500 Hg Perf Med End 1X NVMe	U.3 NVMe	1.9 TB
HCIX-NVB3T8M2V	3.8TB 2.5in U.3 15mm Micron 7500 Hg Perf Med End 1X NVMe	U.3 NVMe	3.8 TB
HCIX-NVB12T8M2P	12.8TB 2.5in U.3 15mm Micron 7500 Hg Perf Hg End 3X NVMe	U.3 NVMe	12.8TB
HCIX-NVB7T6M2V	7.6TB 2.5in U.3 15mm Micron 7500 Hg Perf Med End 1X NVMe	U.3 NVMe	7.6TB
HCIX-NVB15T3M2V9	15.3TB 2.5in U.3 15mm Micron 7500 HgPerf MedEnd 1X NVMe FIPS	U.3 NVMe	15.3TB
HCIX-NVB3T8M2V9	3.8TB 2.5in U.3 15mm Micron 7500 HgPerf MedEnd 1X NVMe FIPS	U.3 NVMe	3.8TB

Approved Configurations

- Three to six PCIe U.2/U.3 NVMe drives

STEP 9 SELECT M.2 SATA SSDs AND RAID CONTROLLER

- Cisco 6GB/s SATA Boot-Optimized M.2 RAID Controller (included): Boot-Optimized RAID controller (UCSX-M2-HWRD-FPS) for hardware RAID across two SATA M.2 storage modules. The Boot-Optimized RAID controller plugs into the motherboard and the M.2 SATA drives plug into the Boot-Optimized RAID controller.



NOTE:

- The UCSX-M2-HWRD-FPS is auto included with the server configuration
- The UCSX-M2-HWRD-FPS controller supports RAID 1 and JBOD mode and is available only with 240GB and 480GB M.2 SATA SSDs.
- Cisco IMM is supported for configuring of volumes and monitoring of the controller and installed SATA M.2 drives
- Hot-plug replacement is not supported. The Cisco Compute Hyperconverged Node must be powered off to replace.
- The Boot-Optimized RAID controller supports Windows and Linux Operating Systems

Table 17 Boot-Optimized RAID controller (auto included)

Product ID (PID)	PID Description
UCSX-M2-HWRD-FPS	UCSX Front panel with M.2 RAID controller for SATA drives

- Select Cisco M.2 SATA SSDs: Order two matching M.2 SATA SSDs. This connector accepts the boot-optimized RAID controller (see [Table 17](#)). Each boot-optimized RAID controller can accommodate two SATA M.2 SSDs shown in [Table 18](#).



NOTE:

- Each boot-optimized RAID controller can accommodate up to two SATA M.2 SSDs shown in [Table 18](#). The boot-optimized RAID controller plugs into the motherboard.
- It is recommended that M.2 SATA SSDs be used as boot-only devices.
- The SATA M.2 drives can boot in UEFI mode only. Legacy boot mode is not supported.

Table 18 M.2 SATA SSDs

Product ID (PID)	PID Description
HCIX-M2-240G	240GB 2.5in M.2 SATA Micron G2 SSD
HCIX-M2-480G	480GB M.2 SATA SSD
HCIX-M22400A1V	240GB M.2 Boot Solidigm S4520 SATA 1X SSD
HCIX-M24800A1V	480GB M.2 Boot Solidigm S4520 SATA 1X SSD
HCIX-M2-960G	960GB M.2 SATA Micron G2 SSD

STEP 10 CHOOSE OPTIONAL TRUSTED PLATFORM MODULE

Trusted Platform Module (TPM) is a computer chip or microcontroller that can securely store artifacts used to authenticate the platform or 210c M7 All-NVMe Node. These artifacts can include passwords, certificates, or encryption keys. A TPM can also be used to store platform measurements that help ensure that the platform remains trustworthy. Authentication (ensuring that the platform can prove that it is what it claims to be) and attestation (a process helping to prove that a platform is trustworthy and has not been breached) are necessary steps to ensure safer computing in all environments.

Table 19 Available TPM Option

Product ID (PID)	Description
HCIX-TPM-002C	Trusted Platform Module 2.0, FIPS140-2 Compliant, HCIX M7 server
HCI-TPM-OPT-OUT ¹	OPT OUT, TPM 2.0, TCG, FIPS140-2, CC EAL4+ Certified

Notes:

1. Please note Microsoft certification requires a TPM 2.0 for bare-metal or guest VM deployments. Opt-out of the TPM 2.0 voids the Microsoft certification.



NOTE:

- The TPM module used in this system conforms to TPM v2.0 as defined by the Trusted Computing Group (TCG).
- TPM installation is supported after-factory. However, a TPM installs with a one-way screw and cannot be replaced, upgraded, or moved to another Cisco Compute Hyperconverged Node. If a 210c M7 All-NVMe Node with a TPM is returned, the replacement 210c M7 All-NVMe Node must be ordered with a new TPM. If there is no existing TPM in the 210c M7 All-NVMe Node, you can install a TPM 2.0. Refer to the following document for Installation location and instructions:

https://www.cisco.com/content/en/us/td/docs/unified_computing/ucs/x/hw/210c-m6/install/b-cisco-ucs-x210c-m7-install.html

STEP 11 SELECT HYPERVISOR

Cisco Hypervisor options are listed in [Table 20](#).

Table 20 Hypervisor

Product ID (PID)	PID Description
HCIX-AOSAHV-73SWK9	Cisco Compute Hyperconverged Acropolis Operating System (AOS) Acropolis Hypervisor (AHV) 7.3 Software
HCI-AOSAHV-NO-OS	HCI AOS AHV No OS Factory Install-Special Approval Required

CONFIGURING THE CISCO COMPUTE-ONLY (CO) NODE SERVER

Cisco Compute-Only (CO) nodes serve two purposes: expanding hyperconverged node or connecting to external storage like Everpure Flash Array

A) Expanding Cisco Compute Hyperconverged node cluster with Compute-Only (CO) node:

Cisco's Compute-Only (CO) node solution enables you to expand the compute resources of Cisco Hyperconverged cluster running Nutanix by adding UCS certified servers without additional storage. These storage-less, Cisco certified Compute-Only (CO) servers integrate seamlessly into your existing or new hyperconverged Nutanix cluster, allowing organizations to efficiently support CPU-intensive applications by scaling processing resources independently of storage infrastructure.

Key benefits:

- Cost-effective scaling for compute-heavy workloads
- Flexibility in cluster design

Table 21 Minimum Cluster Requirements For Compute-Only (CO) Nodes

Cluster Attributes	Hyperconverged node with Compute-Only (CO) node
Number of nodes	Minimum 3 HCI nodes and minimum 2 CO nodes
Nodes Ratio	Nutanix recommends the following nodes ratio: <ul style="list-style-type: none"> ■ 1 CO : 2 HCI (Default) ■ 1 CO : 1 HCI (This is supported only when the total number of VMs is less than or equal to 128 times the number of HCI nodes) For more information about the minimum cluster requirements, please refer to the following Nutanix Documentation
Hypervisor specification	<ul style="list-style-type: none"> ■ Hyperconverged Node: AHV only ■ Compute-Only (CO) Node: AHV only
Licensing: Expanding Cisco HCI cluster with Compute-Only (CO) nodes	<ul style="list-style-type: none"> ■ NCI licenses on a per-core basis ■ For more information about NCI licenses, see NCI section in Nutanix Cloud Platform Software Options
Nutanix Cloud Platform Software	Same as Cisco Compute Hyperconverged with Nutanix.

Delivering performance, versatility and density without compromise, the Cisco Compute-Only (CO) Node addresses the broadest set of workloads.

B) Cisco Compute-Only (CO) node connected to Everpure Flash Array (Flashstack with Nutanix)

Everpure® FlashArray//X™ and FlashArray//XL™ delivers mission-critical performance with the efficiency and resiliency that’s missing from legacy arrays. FlashArray //X and FlashArray//XL™ packs more IOPS, ultra consistent latency, and greater scale into a smaller footprint. Non-disruptive upgrades, always-on availability, and built-in data protection ensure workloads are always running while cutting risk. FlashArray//XL is designed to provide the highest performance density with a level of operational and management simplicity. FlashArray//C™ delivers a balanced all-flash storage solution optimized for file services and general-purpose workloads. With predictable performance, streamlined operations, and

built-in cyber resiliency, it keeps applications consistently secure and positions organizations to outperform capacity-optimized, all-flash, and hybrid storage alternatives.

Nutanix Cloud Platform (NCP) consolidates computing, storage, and networking into a unified pool. It uses AOS for storage, AHV for virtualization, and Prism Central for centralized management across environments.

The Cisco Compute-Only (CO) node with Nutanix Cloud Platform (NCP) and Everpure FlashArray solution delivers a disaggregated infrastructure architecture that enables independent scaling of compute and storage resources. This solution combines industry-standard Cisco Compute-Only (CO) node servers running Nutanix AHV and AOS connected to external Everpure. The FlashStack solution with Nutanix integration provides organizations with the agility to adapt infrastructure resources dynamically while maintaining enterprise-level reliability and performance.

Key Benefits:

- Independent Scalability: Scale compute and storage resources separately based on workload demands
- Enterprise-Grade Protection: Built-in data protection and disaster recovery capabilities
- Hybrid Cloud Ready: Seamlessly extend operations across on-premises and cloud environments

Investment protection - enables using Nutanix Cloud Platform with existing storage.

Table 22 Minimum Cluster Requirements For Compute-Only (CO) Nodes

Attributes	Cisco Compute-Only (CO) node connected to Everpure FlashArray
Cisco Compute-Only (CO) nodes.	Nutanix Foundation allocates the following minimum resources to the CVM: <ul style="list-style-type: none"> ■ CVM logical cores: 16 ■ CPU physical cores per Socket: 16 ■ vRAM (in GiB): 32 For additional information, please refer to the following Nutanix documentations: Configuration Maximums and Minimums for NCP with Everpure FlashArray Requirements for NCI Compute Cluster Setup (Please leverage Nutanix Sizer for all customer workload sizing.) <ul style="list-style-type: none"> ■ M.2 boot drives with M.2 RAID controller (A minimum 480GB is recommended) ■ Storage protocol: NVMe over Fabric (NVMeoF) over TCP ■ 25Gb Ethernet network connection recommended between Cisco Nutanix Compute cluster and Everpure FlashArray (10Gb will be supported) ■ Minimum 3 CO nodes
Hypervisor	AHV only
Management	Intersight Management Mode (IMM)
Everpure	FlashArray //X, FlashArray //XL, and FlashArray //C

Table 22 Minimum Cluster Requirements For Compute-Only (CO) Nodes

Attributes	Cisco Compute-Only (CO) node connected to Everpure FlashArray
Nutanix Cloud Platform Software	Supported Nutanix Software: <ul style="list-style-type: none"> ■ Nutanix Cloud Infrastructure (NCI) ■ Nutanix Cloud Manager (NCM) ■ Nutanix Cloud Platform (NCP) ■ Nutanix Kubernetes Platform (NKP)
Licensing:	<ul style="list-style-type: none"> ■ Nutanix Cloud Infrastructure (NCI) licenses on a per-core basis. ■ Nutanix Cloud Infrastructure - Compute (NCI-C) (2000 cores minimum) ■ For more information about NCI licenses, see NCI section in Nutanix Cloud Platform Software Options



WARNING: Cisco Compute-Only (CO) nodes connected to Everpure Flash Array do not support Virtual Desktop Infrastructure (VDI) solution

The Cisco Compute-Only (CO) x210c M7 All NVMe Node incorporates 4th or 5th Gen Intel® Xeon® Scalable Processors with 60 percent more cores per socket and such advanced features as Intel Advanced Matrix Extensions (AMX), Data Streaming Accelerator (DSA), In-Memory Analytics Accelerator (IAA), and QuickAssist Technology (QAT), providing many applications with significant performance improvements. Refer to [BASE SERVER STANDARD CAPABILITIES and FEATURES on page 7](#).



WARNING: The servers can be interconnected and managed in Intersight Managed mode only.

- The nodes are connected to a pair of Cisco UCS 6400 Series or a pair of Cisco UCS 6500 Series interconnects that are entirely managed from Intersight (SaaS, PVA or CVA).
- All Servers are connected to the same pair of fabric interconnect.

Follow these steps to configure the server:

- [STEP 1 CHOOSE BASE CISCO COMPUTE-ONLY \(CO\) NODE SKU, page 36](#)
- [STEP 2 DEPLOYMENT TYPE, page 37](#)
- [STEP 3 MANAGMENT MODE, page 38](#)
- [STEP 4 CHOOSE CPU\(S\), page 39](#)
- [STEP 5 CHOOSE MEMORY, page 44](#)
- [STEP 6 CHOOSE REAR mLOM ADAPTER, page 48](#)
- [STEP 7 CHOOSE OPTIONAL REAR MEZZANINE VIC/BRIDGE ADAPTERS, page 52](#)

- *STEP 8 CHOOSE OPTIONAL GPU PCIe NODE, page 54*
- *STEP 9 SELECT M.2 DRIVES (REQUIRED), page 55*
- *STEP 10 CHOOSE OPTIONAL TRUSTED PLATFORM MODULE, page 57*
- *NUTANIX SOFTWARE AND NUTANIX PROFESSIONAL SERVICES, page 58*

STEP 1 CHOOSE BASE CISCO COMPUTE-ONLY (CO) NODE SKU

Top Level ordering product ID (PID) of the Cisco Compute HCOX210c M7 All-NVMe Node as shown in [Table 23](#).

Table 23 Top level ordering PID

Product ID (PID)	Description
HCIX-M7-MLB	Cisco Compute Hyperconverged and Compute-Only X-Series M7 with Nutanix MLB

Select the product ID (PID) of the Cisco Compute 210c M7 All-NVMe Node as shown in [Table 24](#).

Table 24 PID of the Base Cisco Compute HCOX210c M7 All-NVMe Node

Product ID (PID)	Description
HCOX210C-M7SN	Cisco Compute-Only 210cM7 All NVMe Nutanix Node
HCOX210C-M7SN-U	Cisco Compute-Only 210cM7 All NVMe Nutanix Node

Please follow the steps on the following pages to order components such as the following, which are required in a functional Cisco Compute Node:

- CPUs
- Memory
- M.2 Drives
- Cisco adapters

STEP 2 DEPLOYMENT TYPE

- The available Deployment Type are listed in [Table 25](#).

Table 25 Deployment Type

Product ID (PID)	Description
HCO-HCI-IMM	Compute Only Nodes with Hyperconverged in IMM Mode
HCO-EXTSTG-IMM	Compute Only Nodes with External Storage in IMM Mode



NOTE:

- HCO-HCI-IMM - This covers expanding a Cisco Compute Hyperconverged node cluster by adding Compute-Only (CO) nodes. The CO node solution allows you to scale compute resources in your Cisco Hyperconverged cluster running Nutanix by adding UCS certified servers without requiring additional storage.
- HCO-EXTSTG-IMM - This addresses scenarios where customers need to connect Everpure FlashArray as external storage to Cisco Compute-Only (CO) nodes.

STEP 3 MANAGMENT MODE

The servers can be interconnected and managed in Intersight Managed mode only:

- The nodes are connected to a pair of Cisco UCS 6400 or 6500 or 6600 Series Fabric Interconnects that are entirely managed from Intersight (SaaS, PVA or CVA).
- All Servers are connected to the same pair of fabric interconnect.

Cluster Scale and Limits

Table 26 Hyperconverged (HCI) node with Compute-Only (CO) node Cluster scale and limits

Hyperconverged (HCI) node with Compute-Only (CO) node	Limit
	Intersight Managed (IMM)
Min. Cluster Size	Minimum 3 HCI nodes and minimum 2 CO nodes
Max. Cluster Size	32
Initial cluster deployment /Node preparation for expansion	16
Cluster expansion	8 at a time
Number of parallel deployments in FC	32

Table 27 Cisco Compute-Only (CO) node connected to Everpure FlashArray Cluster scale and limits

Cisco Compute-Only (CO) node connected to Everpure FlashArray	Limit
	Intersight Managed (IMM)
Min. Cluster Size	3 Compute-Only nodes
Max. Cluster Size	32
Initial cluster deployment /Node preparation for expansion	16
Cluster expansion	8 at a time
Number of parallel deployments in FC	32

STEP 4 CHOOSE CPU(S)

The standard CPU features are:

- The 5th Gen Intel® Xeon® Scalable Processors are paired with Intel® C741 series chipset:
 - Up to 64 cores
 - Cache size of up to 320 MB
 - Power: Up to 350Watts
 - UPI Links: Up to 4 at 20GT/s

With 5th Gen Intel® Xeon® Processors, improve performance and efficiency while reducing costs. See [5TH GEN INTEL XEON BENEFIT PILLARS](#)

- The 4th Gen Intel® Xeon® Scalable Processors are paired with Intel® C741 series chipset:
 - Up to 60 cores
 - Cache size of up to 112.50 MB
 - Power: Up to 350Watts
 - UPI Links: Up to 4 at 16GT/s

With 4th Gen Intel® Xeon® processors, improve performance efficiency for critical workloads with the most built-in accelerators. See 4th gen intel xeon benefit pillars in [LEADERSHIP PERFORMANCE WITH 4TH GEN INTEL® XEON® PROCESSORS](#).

Select CPUs

- The available 5th Gen Intel® Xeon® Scalable CPUs are listed in [Table 28](#). See [Table 30 on page 43](#) for CPU suffix notations.
- The available 4th Gen Intel® Xeon® Scalable CPUs are listed in [Table 29](#). See [Table 30 on page 43](#) for CPU suffix notations.

Table 28 Available 5th Gen. Intel® Xeon® Scalable CPUs

Product ID (PID)	Segment/Workload	Maximum Socket (S)	Cores (C)	Clock Freq (GHz)	Power (W)	Cache Size (MB)	Highest DDR5 DIMM Clock Support (MT/s)
8000 Series Processors							
HCIX-CPU-I8592V	Cloud/SaaS/aaS	2S	64	2.00	330	320.00	4800
HCIX-CPU-I8592+	2S Performance	2S	64	1.90	350	320.00	5600
HCIX-CPU-I8581V ¹	1-S Cloud/SaaS	1S	60	2.00	270	300.00	4800
HCIX-CPU-I8580	2S Performance	2S	60	2.00	350	300.00	5600
HCIX-CPU-I8571N ¹	1-S Networking	1S	52	2.40	300	300.00	4800
HCIX-CPU-I8570	2S Performance	2S	56	2.10	350	300.00	5600
HCIX-CPU-I8568Y+	2S Performance	2S	48	2.30	350	300.00	5600

Table 28 Available 5th Gen. Intel® Xeon® Scalable CPUs

Product ID (PID)	Segment/Workload	Maximum Socket (S)	Cores (C)	Clock Freq (GHz)	Power (W)	Cache Size (MB)	Highest DDR5 DIMM Clock Support (MT/s)
HCIX-CPU-I8562Y+	2S Performance	2S	32	2.80	300	60.00	5600
HCIX-CPU-I8558P	Cloud/SaaS/IaaS	2S	48	2.70	350	260.00	5600
HCIX-CPU-I8558	2S Mainline	2S	48	2.10	330	260.00	5200
6000 Series Processors							
HCIX-CPU-I6554S	Storage	2S	36	2.20	270	180.00	5200
HCIX-CPU-I6548Y+	2S Performance	2S	32	2.50	250	60.00	5200
HCIX-CPU-I6548N	Networking	2S	32	2.80	250	60.00	5200
HCIX-CPU-I6544Y	2S Performance	2S	16	3.60	270	45.00	5200
HCIX-CPU-I6542Y	2S Performance	2S	24	2.90	250	60.00	5200
HCIX-CPU-I6538Y+	2S Mainline	2S	32	2.20	225	60.00	5200
HCIX-CPU-I6538N	Networking	2S	32	2.10	205	60.00	5200
HCIX-CPU-I6530	2S Mainline	2S	32	2.10	270	160.00	4800
HCIX-CPU-I6526Y	2S Performance	2S	16	2.80	195	37.50	5200
5000 Series Processors							
HCIX-CPU-I5520+	2S Mainline	2S	28	2.20	205	52.50	4800
HCIX-CPU-I5512U	1-Socket Optimized	1S	28	2.10	185	52.50	4800
4000 Series Processors							
HCIX-CPU-I4516Y+	2S Mainline	2S	24	2.20	185	45.00	4400
HCIX-CPU-I4514Y	2S Mainline	2S	16	2.00	150	30.00	4400

Notes:

1. You cannot have two of these CPUs in a two-CPU configuration and you cannot later upgrade to a 2-CPU system with two of these CPUs.

Table 29 Available 4th Gen. Intel® Xeon® Scalable CPUs

Product ID (PID)	Segment/Workload	Maximum Socket (S)	Cores (C)	Clock Freq (GHz)	Power (W)	Cache Size (MB)	Highest DDR5 DIMM Clock Support (MT/s)
8000 Series Processors							
HCIX-CPU-I8490H	IMDB/Analytics	2S	60	1.90	350	112.50	4800
HCIX-CPU-I8480+	2S Performance	2S	56	2.00	350	105.00	4800

Table 29 Available 4th Gen. Intel® Xeon® Scalable CPUs

Product ID (PID)	Segment/Workload	Maximum Socket (S)	Cores (C)	Clock Freq (GHz)	Power (W)	Cache Size (MB)	Highest DDR5 DIMM Clock Support (MT/s)
HCIX-CPU-I8471N ¹	5G/Networking	1S	52	1.80	300	97.50	4800
HCIX-CPU-I8470N	5G/Networking	2S	52	1.70	300	97.50	4800
HCIX-CPU-I8470	2S Performance	2S	52	2.00	350	105.00	4800
HCIX-CPU-I8468V	Cloud/SaaS/Media	2S	48	2.40	330	97.50	4800
HCIX-CPU-I8468H	IMDB/Analytics	2S	48	2.10	330	105.00	4800
HCIX-CPU-I8468	2S Performance	2S	48	2.10	350	105.00	4800
HCIX-CPU-I8462Y+	2S Performance	2S	32	2.80	300	60.00	4800
HCIX-CPU-I8461V ¹	Cloud/SaaS/Media	1S	48	2.20	300	97.50	4800
HCIX-CPU-I8460Y+	2S Performance	2S	40	2.00	300	105.00	4800
HCIX-CPU-I8460H	IMDB/Analytics	2S	40	2.20	330	105.00	4800
HCIX-CPU-I8458P	Cloud/SaaS/Media	2S	44	2.70	350	82.50	4800
HCIX-CPU-I8454H	IMDB/Analytics	2S	32	2.10	270	82.50	4800
HCIX-CPU-I8452Y	2S Mainline	2S	36	2.00	300	67.50	4800
HCIX-CPU-I8450H	IMDB/Analytics	2S	28	2.00	250	75.00	4800
HCIX-CPU-I8444H	IMDB/Analytics	2S	16	2.90	270	45.00	4800
6000 Series Processors							
HCIX-CPU-I6454S	Storage	2S	32	2.20	270	60.00	4800
HCIX-CPU-I6448Y	2S Performance	2S	32	2.10	225	60.00	4800
HCIX-CPU-I6448H	IMDB/Analytics	2S	32	2.40	250	60.00	4800
HCIX-CPU-I6444Y	2S Performance	2S	16	3.60	270	45.00	4800
HCIX-CPU-I6442Y	2S Performance	2S	24	2.60	225	60.00	4800
HCIX-CPU-I6438Y+	2S Mainline	2S	32	2.00	205	60.00	4800
HCIX-CPU-I6438N	5G/Networking	2S	32	2.00	205	60.00	4800
HCIX-CPU-I6438M	Cloud/SaaS/Media	2S	32	2.20	205	60.00	4800
HCIX-CPU-I6430	2S Mainline	2S	32	2.10	270	60.00	4400
HCIX-CPU-I6428N	5G/Networking	2S	32	1.80	185	60.00	4000
HCIX-CPU-I6426Y	2S Performance	2S	16	2.50	185	37.50	4800
HCIX-CPU-I6421N ¹	5G/Networking	1S	32	1.80	185	60.00	4400
HCIX-CPU-I6418H	IMDB/Analytics	2S	24	2.10	185	60.00	4800
HCIX-CPU-I6416H	IMDB/Analytics	2S	18	2.20	165	45.00	4800
HCIX-CPU-I6414U ¹	1S gen. purpose	1S	32	2.00	250	60.00	4800

Table 29 Available 4th Gen. Intel® Xeon® Scalable CPUs

Product ID (PID)	Segment/Workload	Maximum Socket (S)	Cores (C)	Clock Freq (GHz)	Power (W)	Cache Size (MB)	Highest DDR5 DIMM Clock Support (MT/s)
5000 Series Processors							
HCIX-CPU-I5420+	2S Mainline	2S	28	2.00	205	52.50	4400
HCIX-CPU-I5418Y	2S Mainline	2S	24	2.00	185	45.00	4400
HCIX-CPU-I5418N	5G/Networking	2S	24	1.80	165	45.00	4000
HCIX-CPU-I5416S	Storage	2S	16	2.00	150	30.00	4400
HCIX-CPU-I5412U ¹	1S gen. purpose	1S	24	2.10	185	45.00	4400
HCIX-CPU-I5411N ¹	5G/Networking	1S	24	1.90	165	45.00	4400
4000 Series Processors							
HCIX-CPU-I4416+	2S Mainline	2S	20	2.00	165	37.50	4000

Notes:

1. You cannot have two of these CPUs in a two-CPU configuration and you cannot later upgrade to a 2-CPU system with two of these CPUs.

Table 30 CPU Suffixes

CPU Suffix	Description	Features
P	Cloud (IaaS)	Designed for cloud IaaS environments to deliver higher frequencies at constrained TDPs
V	Cloud (SaaS)	Designed for high rack density, maximize VM/core, and lower power VM environment
M	Media Transcode	Designed for Media processing, AI, and HPC workloads
H	DB and Analytics	Designed for Data Analytics and Big Data usages
N	Network/5G/Edge (High TDP/Low latency)	Designed and optimized for a range of broadly-deployed network and 5G workload environments from Edge to the Data Center
S	Storage & HCI	Designed for Storage usages and workloads
T	Long-life Use/High Tcase	Designed for Network Environment-Building System (NEBS) and IoT market
U	1-Socket	Optimized for targeted platforms adequately served by the cores, memory bandwidth and IO capacity available from a single processor
Y	General SKU with SST-PP	Designator is used for general SKU stack to highlight SST-PP (Speed Select Technology Performance Profile) feature enabled
+	Feature Plus SKU	Designed to enable 1 instance of each DSA, IAA, QAT, DLB embedded accelerator

Supported Configurations

(1) One-CPU Configuration

- Choose one identical CPUs from any one of the rows of [Table 28](#) or [Table 29](#).

(2) Two-CPU Configuration

- Choose two identical CPUs from any one of the rows of [Table 28](#) or [Table 29](#).

STEP 5 CHOOSE MEMORY

The [Table 31](#) below describes the main memory DIMM features supported on Cisco Compute 210c M7 All-NVMe Node.

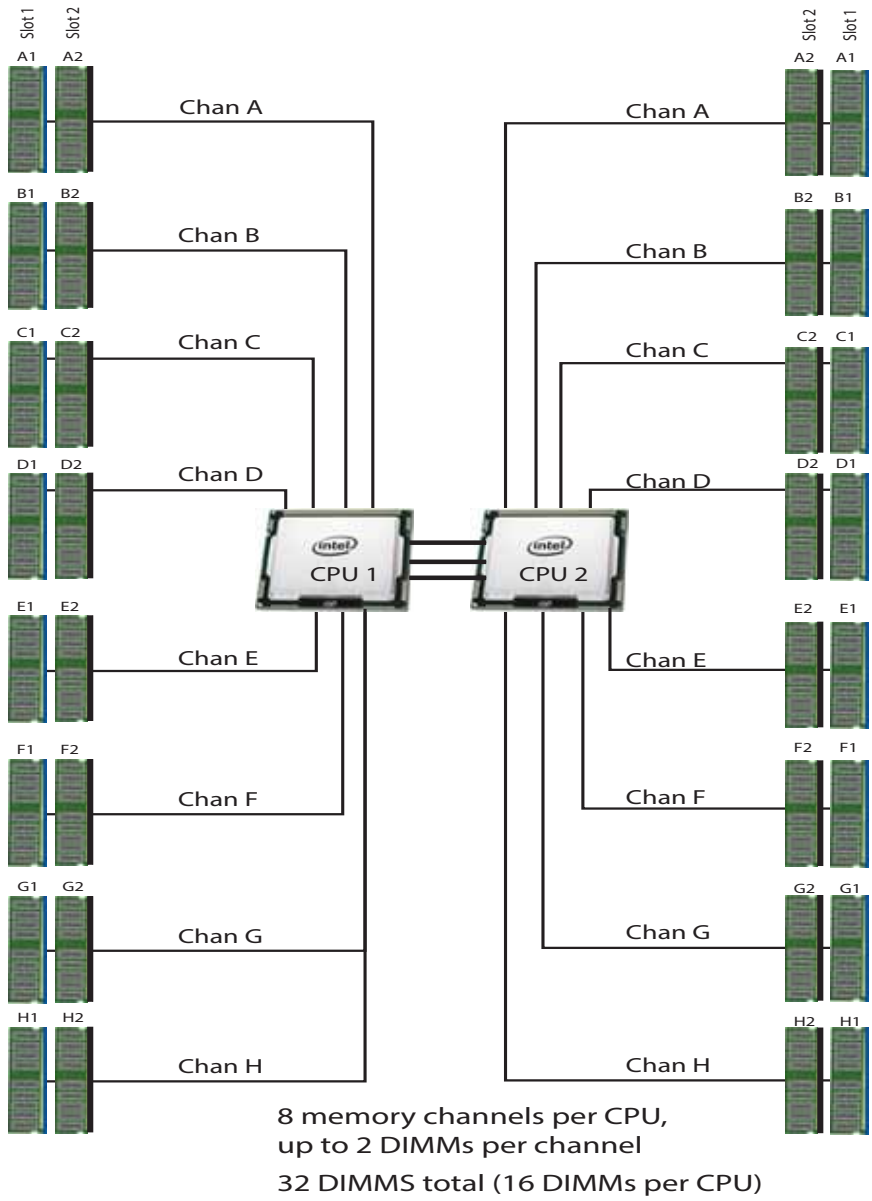


CAUTION: When populating 256GB DIMMs, the ambient temperature shall be limited to a maximum of 32°C.

Table 31 M7 Main Memory Features

Memory DIMM server technologies	Description
DDR5 memory clock speed	4th Gen. CPU: Up to 4800MT/s 1DPC; Up to 4400MT/s 2DPC
	5th Gen. CPU: Up to 5600MT/s 1DPC; Up to 4400MT/s 2DPC
Operational voltage	1.1 Volts
DRAM fab density	16Gb, 24Gb and 32Gb
DRAM DIMM type	RDIMM (Registered DDR5 DIMM with on die ECC)
Memory DIMM organization	Eight memory DIMM channels per CPU; up to 2 DIMMs per channel
Maximum number of DRAM DIMM per server	32 (2-Socket)
DRAM DIMM Densities and Ranks	Refer to Table 32 and Table 33 .
Maximum system capacity (DRAM DIMMs only)	8TB (32x256GB)

Figure 7 Server Memory Organization



Select DIMMs

The available memory DIMMs are listed in [Table 32](#) and [Table 33](#).

Table 32 Memory Options for M7 servers with Intel® Xeon® 4th Gen. CPUs

Product ID (PID)	PID Description	Ranks/DIMM
DDR5-5600MT/s PID list ¹		
HCIX-MRX16G1RE3	16GB DDR5-5600 RDIMM 1Rx8 (16Gb)	1
HCIX-MRX32G1RE3	32GB DDR5-5600 RDIMM 1Rx4 (16Gb)	1
HCIX-MRX64G2RE3	64GB DDR5-5600 RDIMM 2Rx4 (16Gb)	2
HCIX-MR128G2RG3	128GB DDR5-5600 RDIMM 2Rx4 (32Gb)	2
Accessories/spare included with Memory configuration:		
<ul style="list-style-type: none"> ■ UCS-DDR5-BLK² is auto included for the unselected DIMMs slots 		

Notes:

1. Memory will operate at the maximum speed of the Intel 4th Gen. CPU memory controller, ranging from 4000 MT/s to 4800 MT/s.
2. Any empty DIMM slot must be populated with a DIMM blank to maintain proper cooling airflow.

Table 33 Memory Options for M7 servers with Intel® Xeon® 5th Gen. CPUs¹

Product ID (PID)	PID Description	Ranks/DIMM
DDR5-5600MT/s PID list		
HCIX-MRX16G1RE3	16GB DDR5-5600 RDIMM 1Rx8 (16Gb)	1
HCIX-MRX32G1RE3	32GB DDR5-5600 RDIMM 1Rx4 (16Gb)	1
HCIX-MRX48G1RF3 ²	48GB DDR5-5600 RDIMM 1Rx4 (24Gb)	1
HCIX-MRX96G2RF3 ²	96GB DDR5-5600 RDIMM 2Rx4 (24Gb)	2
HCIX-MR128G2RG3	128GB DDR5-5600 RDIMM 2Rx4 (32Gb)	2
HCIX-MR128G4RE3 ³	128GB DDR5-5600 RDIMM 4Rx4 (16Gb)	4
DDR5-6400MT/s PID list		
UCSX-MR256G4RG5 ⁴	256GB DDR5-6400 RDIMM 4Rx4 (32Gb)	4
Accessories/spare included with Memory configuration:		
<ul style="list-style-type: none"> ■ UCS-DDR5-BLK⁵ is auto included for the unselected DIMMs slots 		

Notes:

1. Memory will operate at the maximum speed of the Intel 5th Gen. CPU memory controller, ranging from 4400 MT/s to 5600 MT/s.
2. 48GB and 96GB cannot be paired with Intel 5th Gen. CPUs 3508U, 4509Y, 4510, and 4510T SKUs.
3. 128GB 4Rx4 (16Gb) is now End-Of-Life and is replaced by 128GB 2Rx4 (32Gb).
4. Available in Q2'CY26
5. Any empty DIMM slot must be populated with a DIMM blank to maintain proper cooling airflow.

Memory configurations and mixing rules

- Golden Rule: Memory on every CPU socket shall be configured identically.
- System speed is dependent on the CPU DIMM speed support. Refer to [Available 4th Gen. Intel® Xeon® Scalable CPUs on page 13](#) and [Available 5th Gen. Intel® Xeon® Scalable CPUs on page 11](#) for DIMM speeds.
- For full details on supported memory configurations see the [M7 Memory Guide](#).

STEP 6 CHOOSE REAR mLOM ADAPTER

The Cisco Compute 210c M7 All-NVMe Node must be ordered with a Cisco VIC mLOM Adapter. The adapter is located at the back and can operate in a single-CPU or dual-CPU configuration.

Table 34 shows the mLOM adapter choices.

Table 34 mLOM Adapters

Product ID (PID)	Description	Connection type
HCIX-MLV5D200GV2	Cisco VIC 15230 modular LOM w/Secure Boot X Cisco Compute Node	mLOM
HCIX-ML-V5Q50G	Cisco VIC 15420 4x25G secure boot mLOM for X Cisco Compute Node	mLOM



NOTE:

- VIC 15420 are supported with both X9108-IFM-25G and X9108-IFM-100G. VIC 15420 will operate at 4x 25G with both X9108-IFM-25G and X9108-IFM-100G. While, VIC 15230 will operate at 4x 25G with X9108-IFM-25G and at 2x 100G with X9108-IFM-100G.
- The mLOM adapter is mandatory for the Ethernet connectivity to the network by means of the IFMs and has x16 PCIe Gen4 connectivity with Cisco VIC 15420 or x16 Gen4 connectivity with Cisco VIC 15230 towards the CPU1.
- There is no backplane in the Cisco Compute 9508 chassis; thus, the Cisco Compute Nodes directly connect to the IFMs using Orthogonal Direct connectors.
- *Figure 4* shows the location of the mLOM and rear mezzanine adapters on the Cisco Compute 210c M7 All-NVMe Node. The bridge adapter connects the mLOM adapter to the rear mezzanine adapter.

Figure 8 Location of mLOM and Rear Mezzanine Adapters

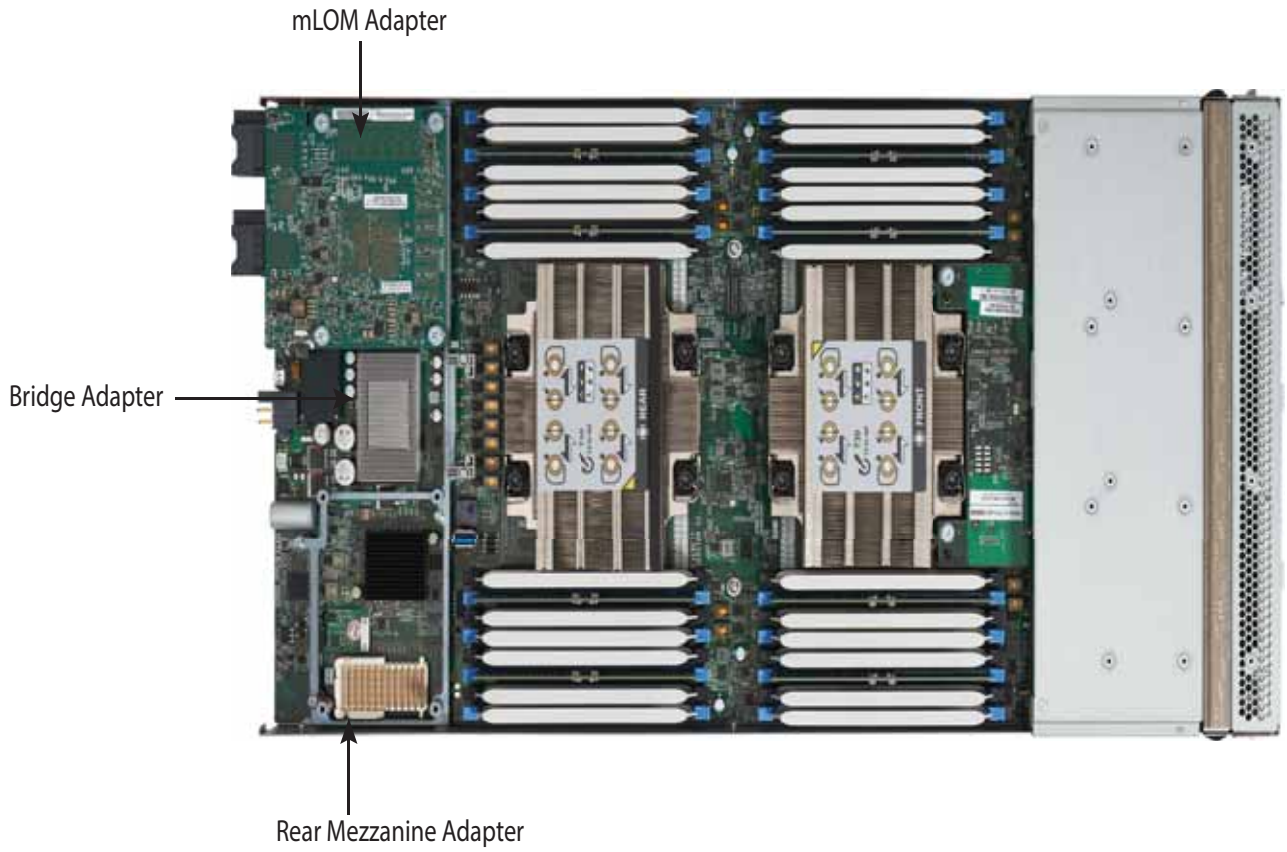


Figure 9 shows the network connectivity from the mLOM out to the 25G IFMs.

Figure 9 Network Connectivity 25G IFMs

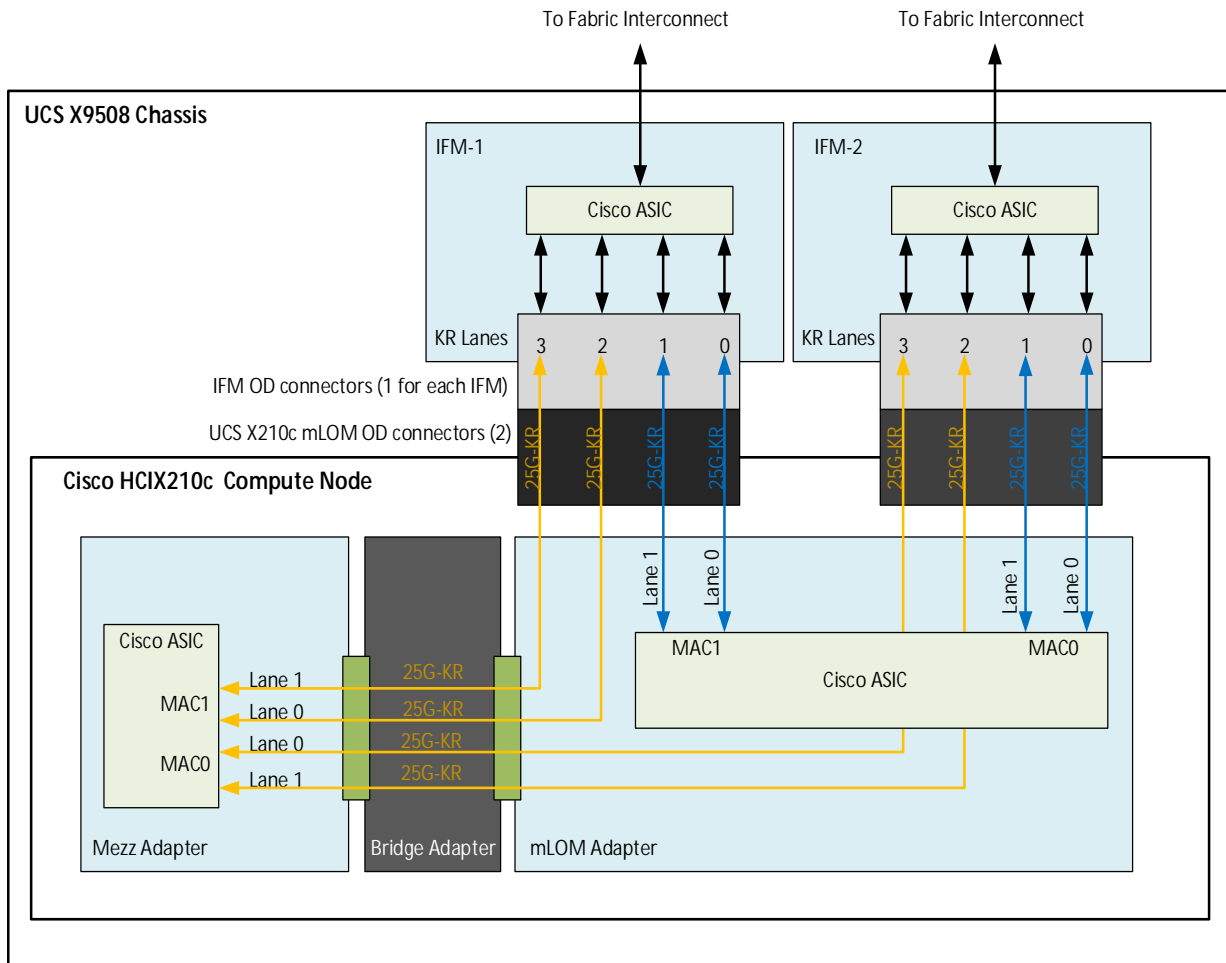
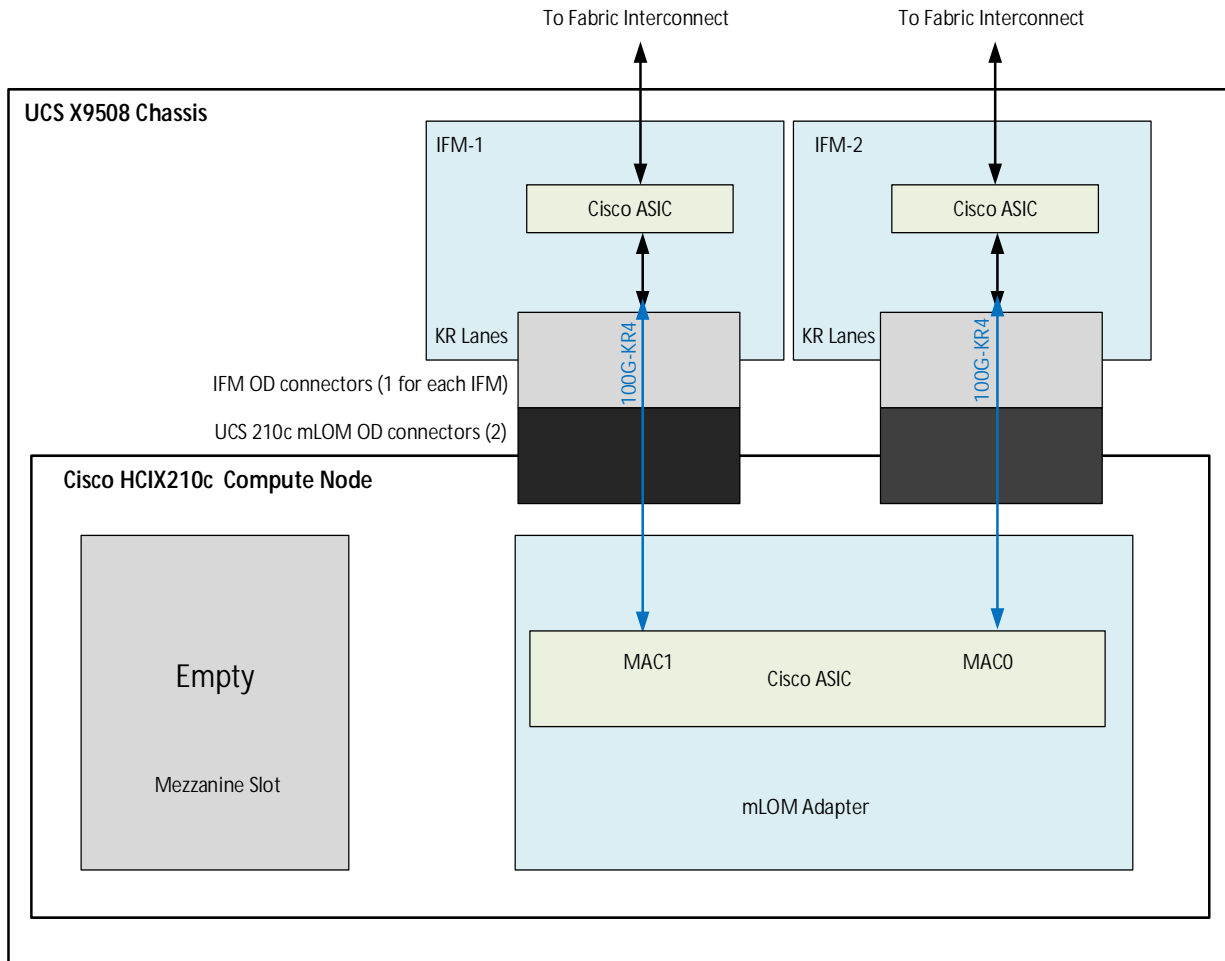


Figure 10 shows the network connectivity from the mLOM out to the 100G IFMs.

Figure 10 Network Connectivity 100G IFMs



STEP 7 CHOOSE OPTIONAL REAR MEZZANINE VIC/BRIDGE ADAPTERS

The Cisco Compute 210c M7 All-NVMe Node has one rear mezzanine adapter connector which can have a VIC 15422 Mezz card that can be used as a second VIC card on the Cisco Compute Node for network connectivity or as a connector to the X440p PCIe node via X-Fabric modules. The same mezzanine slot on the Cisco Compute Node can also accommodate a pass-through mezzanine adapter for X-Fabric which enables Cisco Compute Node connectivity to the X440p PCIe node. Refer to [Table 35](#) for supported adapters.

Table 35 Available Rear Mezzanine Adapters

Product ID (PID)	PID Description	CPUs Required	Connector Type
Cisco VIC Card			
HCIX-V4-PCIME ¹	PCI Mezz Card for X-Fabric	2 CPUs required	Rear Mezzanine connector on motherboard
HCIX-ME-V5Q50G	VIC 15422 4x25G secure boot mezz for X Cisco Compute Node	2 CPUs required	Rear Mezzanine connector on motherboard
Cisco VIC Bridge Card²			
HCIX-V5-BRIDGE	VIC 15000 bridge to connect mLOM and mezz X Cisco Compute Node (This bridge to connect the Cisco VIC 15420 mLOM and Cisco VIC 15422 Mezz for the 210c M7 All-NVMe Node)	2 CPUs required	One connector on Mezz card and one connector on mLOM card

Notes:

1. If this adapter is selected, then two CPUs are required and HCIX-ME-V5Q50G or HCIX-V4-PCIME is required.
2. Included with the Cisco VIC 15422 mezzanine adapter.



NOTE: The HCIX-V4-PCIME rear mezzanine card for X-Fabric has PCIe Gen4 x16 connectivity towards each CPU1 and CPU2. Additionally, the HCIX-V4-PCIME also provides two PCIe Gen4 x16 to each X-fabric. This rear mezzanine card enables connectivity from the 210c M7 All-NVMe Node to the X440p PCIe node.

Table 36 Throughput Per 210c M7 All-NVMe Node

HCIX210c M7 Cisco Compute Node	FI-6536 + X9108-IFM-100G	FI-6536/6400 + X9108-IFM-25G	FI-6536 + X9108-IFM-25G/100G or FI-6400 + X9108-IFM-25G	FI-6536 + X9108-IFM-25G/100G or FI-6400 + X9108-IFM-25G	
X210c configuration	VIC 15230	VIC 15230	VIC 15420	VIC 15420 + VIC 15422	
Throughput per node	200G (100G per IFM)	100G (50G per IFM)	100G (50G per IFM)	200G (100G per IFM)	
vNICs needed for max BW	2	2	2	4	
KR connectivity from VIC to each IFM	1x 100GKR	2x 25GKR	2x 25GKR	4x 25GKR	
Single vNIC throughput on VIC	100G (1x100GKR)	50G (2x25G KR)	50G (2x25G KR)	50G (2x25G KR)	50G (2x25G KR)
Max Single flow BW per vNIC	100G	25G	25G	25G	25G
Single vHBA throughput on VIC	100G	50G	50G	50G	50G

Supported Configurations

- One of mLOM VIC from [Table 11](#) is always required.
- If a HCIX-ME-V5Q50G rear mezzanine VIC card is installed, a HCIX-V5-BRIDGE VIC bridge card is included and connects the mLOM to the mezzanine adapter.
- The HCIX-ME-V5Q50G rear mezzanine card has Ethernet connectivity to the IFM using the HCIX-V5-BRIDGE and has a PCIe Gen4 x16 connectivity towards CPU2. Additionally, the HCIX-ME-V5Q50G also provides two PCIe Gen4 x16 to each X-fabric.
- All the connections to Cisco X-Fabric 1 and Cisco X-Fabric 2 are through the Molex Orthogonal Direct (OD) connector on the mezzanine card.
- The rear mezzanine card has 32 x16PCIe lanes to each Cisco X-Fabric for I/O expansion to enable resource consumption from the PCIe resource nodes.

STEP 8 CHOOSE OPTIONAL GPU PCIe NODE

Select GPU PCIe Node



NOTE: If PCIe Node is selected, then rear mezzanine is required.

Table 37 GPU PCIe Node

Product ID(PID)	PID Description
HCIX-440P	UCS X-Series Gen4 PCIe node



NOTE:

The available PCIe node GPU options are listed in:

- For the supported GPU card supported on the x440P PCIe Node is listed on the <https://www.cisco.com/c/dam/en/us/products/collateral/hyperconverged-infrastructure/compute-hyperconverged-nutanix/compute-hyperconverged-440p-pcie-node-ds.pdf> , Step 3, Order GPU Cards.
-

STEP 9 SELECT M.2 DRIVES (REQUIRED)

- Cisco 6GB/s SATA Boot-Optimized M.2 RAID Controller (included): Boot-Optimized RAID controller (UCSX-M2-HWRD-FPS) for hardware RAID across two SATA M.2 storage modules. The Boot-Optimized RAID controller plugs into the motherboard and the M.2 SATA drives plug into the Boot-Optimized RAID controller.



NOTE:

- The UCSX-M2-HWRD-FPS is auto included with the server configuration
- The UCSX-M2-HWRD-FPS controller supports RAID 1 and JBOD mode
- Cisco IMM is supported for configuring of volumes and monitoring of the controller and installed SATA M.2 drives
- Hot-plug replacement is not supported. The Cisco Compute Hyperconverged Node must be powered off to replace.
- The Boot-Optimized RAID controller supports Windows and Linux Operating Systems

Table 38 Boot-Optimized RAID controller (auto included)

Product ID (PID)	PID Description
UCSX-M2-HWRD-FPS	UCSX Front panel with M.2 RAID controller for SATA drives

- Select Cisco M.2 SATA SSDs: Order two matching M.2 SATA SSDs. This connector accepts the boot-optimized RAID controller (see [Table 38](#)). Each boot-optimized RAID controller can accommodate two SATA M.2 SSDs shown in [Table 39](#).



NOTE:

- Each boot-optimized RAID controller can accommodate two SATA M.2 SSDs shown in [Table 39](#). The boot-optimized RAID controller plugs into the motherboard.
- It is recommended that M.2 SATA SSDs be used as boot-only devices.
- The SATA M.2 drives can boot in UEFI mode only. Legacy boot mode is not supported.

Table 39 M.2 SATA SSDs

Product ID (PID)	PID Description
HCIX-M2-240G	240GB 2.5in M.2 SATA Micron G2 SSD
HCIX-M2-480G	480GB M.2 SATA SSD
HCIX-M22400A1V	240GB M.2 Boot Solidigm S4520 SATA 1X SSD
HCIX-M24800A1V	480GB M.2 Boot Solidigm S4520 SATA 1X SSD
HCIX-M2-960G	960GB M.2 SATA Micron G2 SSD



CAUTION: It is recommended to use 480G M.2 SATA Drive for compute-Only node connecting to External Storage.

Approved Configurations

- Two boot drives with M.2 Raid controller

STEP 10 CHOOSE OPTIONAL TRUSTED PLATFORM MODULE

Trusted Platform Module (TPM) is a computer chip or microcontroller that can securely store artifacts used to authenticate the platform or Cisco Compute 210c M7 All-NVMe Node. These artifacts can include passwords, certificates, or encryption keys. A TPM can also be used to store platform measurements that help ensure that the platform remains trustworthy. Authentication (ensuring that the platform can prove that it is what it claims to be) and attestation (a process helping to prove that a platform is trustworthy and has not been breached) are necessary steps to ensure safer computing in all environments.

Table 40 Available TPM Option

Product ID (PID)	Description
HCIX-TPM-002C	Trusted Platform Module 2.0, FIPS140-2 Compliant, HCIX M7 server
HCI-TPM-OPT-OUT ¹	OPT OUT, TPM 2.0, TCG, FIPS140-2, CC EAL4+ Certified

Notes:

1. Please note Microsoft certification requires a TPM 2.0 for bare-metal or guest VM deployments. Opt-out of the TPM 2.0 voids the Microsoft certification.



NOTE:

- The TPM module used in this system conforms to TPM v2.0 as defined by the Trusted Computing Group (TCG).
- TPM installation is supported after-factory. However, a TPM installs with a one-way screw and cannot be replaced, upgraded, or moved to another Cisco Compute Node. If a Cisco Compute 210c M7 All-NVMe Node with a TPM is returned, the replacement Cisco Compute 210c M7 All-NVMe Node must be ordered with a new TPM. If there is no existing TPM in the Cisco Compute 210c M7 All-NVMe Node, you can install a TPM 2.0. Refer to the following document for Installation location and instructions:






https://www.cisco.com/content/en/us/td/docs/unified_computing/ucs/x/hw/210c-m6/install/b-cisco-ucs-x210c-m7-install.html

NUTANIX SOFTWARE AND NUTANIX PROFESSIONAL SERVICES

- Top Level Nutanix Software And Professional Services PIDs, page 2
 - *Table 1, Top Level Nutanix Software And Professional Services PIDs*
 - *Table 2, Nutanix NCI Software License Use case*
- Nutanix Software And Professional Services PID Decoder, page 4
 - *Table 3.0, Nutanix Software PID Decoder (WW-XX-YY-ZZ)*
 - *Table 3.1, Nutanix Professional Services PID Decoder (WW-XX-YY-ZZ)*
- Nutanix Software PIDs and Description, page 5
 - *Table 6.0, Nutanix Cloud Infrastructure (NCI)*
 - *Table 6.1, Nutanix Cloud Infrastructure - Compute Only (NCI-C)*
 - *Table 6.2, Nutanix Cloud Infrastructure Data (NCI-D)*
 - *Table 6.3, Nutanix Cloud Infrastructure Edge (NCI-E)*
 - *Table 6.4, End User Computing (EUC)*
 - *Table 6.5, Nutanix Cloud Manager (NCM)*
 - *Table 6.4, Nutanix Cloud Manager Edge (NME)*
 - *Table 6.4, Nutanix Cloud Manager EUC (NCM-U)*
 - *Table 6.8, Nutanix Cloud Platform (NCP) / Nutanix Cloud Platform - Compute Only (NCP-C)*
 - *Table 6.9, Nutanix Unified Storage™ (NUS)*
 - *Table 6.10, Nutanix Data Lens (NDL)*
 - *Table 6.11, Nutanix Kubernetes Platform (NKP)*
 - *Table 6.12, Nutanix Enterprise AI (NAI)*
- Nutanix software limited orderability, page 46
 - *Table 7.0, End User Computing Hyperspace (EUCH)*
- Professional Services PIDs and Description, page 48
 - *Table 8.0, NCI Design Workshop*
 - *Table 8.1, NCI Cluster Deployment or Expansion*
 - *Table 8.2, Virtual Machine Migration Workshop*
 - *Table 8.3, Virtual Machine Migration*
 - *Table 8.4, NCM Self-Service Design Workshop*
 - *Table 8.5, NCM Intelligent Operations Design Workshop*
 - *Table 8.6, NCM Intelligent Operations Deployment*
 - *Table 8.7, FastTrack for NCM Self-Service*
 - *Table 8.8, FastTrack for NCM Cost Governance*
 - *Table 8.9, Nutanix AI GPT Bundles Services*
 - *Table 8.10, Nutanix AI Planning Workshop*
 - *Table 8.11, Nutanix AI Design Workshop*
 - *Table 8.12, Nutanix AI Strategy and Optimization Workshop*
 - *Table 8.13, Nutanix AI Deployment*
 - *Table 8.14, NKP Design Workshop*
 - *Table 8.15, NKP Deployment*
 - *Table 8.16, Nutanix Flexible Credits*
- Nutanix Support:, page 65
- Software With Professional Services PID Mapping, page 66
 - *Table 10.0, Nutanix Software NCI, NCI-C, NCI-D, NCP (NCI-PRO), NCP (NCI-ULT), NCP-C (NCIC-PRO), NCP-C (NCIC-ULT) 1 YEAR SUBSCRIPTION with professional services PID Mapping*
 - *Table 10.1, Nutanix Software NCI, NCI-C, NCI-D, NCP (NCI-PRO), NCP (NCI-ULT), NCP-C (NCIC-PRO), NCP-C (NCIC-ULT) 3 YEAR SUBSCRIPTION with professional services PID Mapping*
 - *Table 11, Nutanix Software NCM STR 1 YEAR AND 3 YEAR & ABOVE SUBSCRIPTION with Professional Services PID Mapping*
 - *Table 12, Nutanix Software NCM PRO, NCM ULT, NCP (NCM-PRO), NCP (NCM-ULT) 1 YEAR AND 3 YEAR & ABOVE SUBSCRIPTION with Professional services*

Top Level Nutanix Software And Professional Services PIDs

Table 41 Top Level Nutanix Software And Professional Services PIDs

ATO Product ID (PID)	Description
NTX-SW	<p>Nutanix Software 3Y and above</p> <hr/>  NOTE: Please refer to the complete list of Nutanix Software PIDs and Description, page 5
NTX-SW-LO	<p>Nutanix Limited Orderable Software Offer</p> <hr/>  NOTE: Please refer to the complete list of Nutanix software limited orderability, page 46
NTX-SW-1Y	<p>Nutanix Software 1Y</p> <hr/>  NOTE: Please refer to the complete list of Nutanix Software PIDs and Description, page 5
NTX-NCI-USE-CASE ¹	<p>Nutanix NCI Software License Use case</p> <hr/>  NOTE: Please refer to the complete list of Nutanix Software PIDs and Description, page 5
NTX-SW-PS	<p>Nutanix Professional Service</p> <hr/>  NOTE: Please refer to the complete list of Professional Services PIDs and Description, page 48

Notes:

1. A selection of NTX-NCI-USE-CASE from Nutanix Software Category is required when Nutanix Cloud Infrastructure Software License (NCI / NCI-D / NCI-E) is selected. There are a few conditions under which NT-PUBLIC-CLOUD can be used. refer to the [KB article](#) for more details. Please choose one of them from the [Table 2](#), if you select the NTX-NCI-USE-CASE.

Table 42 Nutanix NCI Software License Use case

Product ID (PID)	Description
NT-ON-PREM-UCS	Use Case to License Nutanix SW on Certified Cisco UCS HW
NT-PUBLIC-CLOUD	Use Case to License Nutanix SW (NC2) Running in Public Cloud (AWS/Azure)Hide
NT-OTHER	Use Case for all other Nutanix SW that is not covered above

**NOTE:****(1) 1 Year Subscription term:**

- For Nutanix Cloud Infrastructure (NCI), Nutanix Cloud Infrastructure - Compute Only (NCI-C), Nutanix Cloud Infrastructure - Data (NCI-D) and Nutanix Cloud Manager (NCM) softwares, it requires mandatory attach of Nutanix Professional Services.

(2) 3 Year Subscription term:

- For Nutanix Cloud Infrastructure (NCI), Nutanix Cloud Infrastructure - Compute Only (NCI-C), Nutanix Cloud Infrastructure - Data (NCI-D) and Nutanix Cloud Manager (NCM), only Starter (STR) softwares, it is recommended to attach Nutanix Professional Services during ordering.
- For Nutanix Cloud Manager (NCM) software, only Professional (PRO) and Ultimate (ULT) softwares requires mandatory Nutanix Professional Services.

(3) Nutanix NCI Software License Use case:

- Ratio of cores between cloud and on-prem must be 70/30 or greater, meaning $\geq 30\%$ of cores must be licensed for on-prem usage. Cloud only deals, public cloud marketplace deals, and hybrid cloud deals with other vendor hardware are not allowed.
- Must include mention of hybrid cloud in your Nutanix deal registration.
- Must select the appropriate public cloud use-case SKU when building a CCW configuration.

(4) Any future expansion opportunity does not require **mandatory Nutanix Professional Services attach.**

(5) Cisco and Nutanix products are each subject to their own terms and conditions, including support timelines and milestones. This includes the Nutanix Cloud Platform software and qualified Cisco UCS hardware platforms sold together as part of the Cisco Compute Hyperconverged with Nutanix solution. Carefully review [Nutanix's EoL portal](#) for support timelines by hardware platform. Cisco's UCS hardware support milestones may not align with Nutanix's support milestones. Therefore, it is important to plan your hardware and software refresh cycles based on the earlier of the two dates (hardware support from Cisco and software support from Nutanix). It is your responsibility to check the Nutanix software term length desired against the support time frames for the quoted UCS hardware platform.

Nutanix licenses are transferable to newer generation Cisco UCS platforms subject to Nutanix's end user license agreement. Refer to [Nutanix's Support FAQs](#) for details and definitions of Nutanix's End of Life and End of Support Life milestones. Refer to [Cisco's EoL policy](#) for details and definitions of Cisco's End of Life and Last Date of Support milestones.

Nutanix Software And Professional Services PID Decoder

Table 43.0 Nutanix Software PID Decoder (WW-XX-YY-ZZ)

Identifier#1 (WW)	Identifier#2 (XX)	Identifier#3 (YY)	Identifier#4 (ZZ)
Nutanix Product Family:	Nutanix Software Type/Category:	License Tiers:	Support Tier:
NT	NCI: Nutanix Cloud Infrastructure NCI-C: Nutanix Cloud Infrastructure-Compute Only NCI-D: Nutanix Cloud Infrastructure Data NCI-E: Nutanix Cloud Infrastructure Edge EUC: End User Computing NCM: Nutanix Cloud Manager NME: Nutanix Cloud Manager Edge NCM-U: Nutanix Cloud Manager End User Computing NCP: Nutanix Cloud Platform NCP-C: Nutanix Cloud Platform-Compute Only NUS: Nutanix Unified Storage™ NDL: Nutanix Data Lens NKP: Nutanix Kubernetes Platform NAI: Nutanix Enterprise AI EUCH: END User Computing Hyperspace	STR: Starter PRO: Professional ULT: Ultimate	PR: Production MC: Mission Critical AP: (ASP Production) AM: (ASP Mission Critical) FP: US Federal Production FM: US Federal Mission Critical
NOTE: Note for example “NT-NCI-STR-PR” PID can be decoded as, NT=Nutanix, NCI=Nutanix Cloud Infrastructure, STR=Starter, PR=Production			

Table 43.1 Nutanix Professional Services PID Decoder (WW-XX-YY-ZZ)

Identifier#1 (WW)	Identifier#2 (XX)	Identifier#3 (YY)	Identifier#4 (ZZ)
Nutanix Product Family:	Nutanix Professional Services Offering:	Nutanix Product Tier:	Nutanix Professional Services Option:
NT	Design W-DS: NCI Design Workshop W-SSD: NCM Self-Service Design Workshop W-OD: NCM Intelligent Operations Design Workshop W-KD: NKP Design Workshop P-AI - NAI Planning Workshop W-AID - NAI Design Workshop W-AIO - NAI Strategy and Optimization Workshop Deploy S-DP: NCI Cluster Deployment or Expansion S-OP: NCM Intelligent Operations Deployment F-SS: FastTrack for NCM Self-Service F-CG: FastTrack for NCM Cost Governance S-KD: NKP Deployment S-AID - NAI Deployment Migrate W-MG: Virtual Machine Migration Workshop S-MG-VM: Virtual Machine Migration Custom FLEX-CST-CR: Flexible Credits	STR: Starter PRO: Professional ULT: Ultimate	Design SD: Standard Documentation Deploy AV-PB: Pro AHV Nodes Base AV-PV: Pro AHV Nodes Variable EX-PB: Pro ESX Nodes Base EX-PV: Pro ESX Nodes Variable AV-SB: Starter AHV Nodes Base AV-SV: Starter AHV Nodes Variable EX-SB: Starter ESX Nodes Base EX-SV: Starter ESX Nodes Variable AVB: Starter AHV Nodes Base AVV: Starter AHV Nodes Variable EXB: Starter ESX Nodes Base EXV: Starter ESX Nodes Variable AV-UB: Ultimate AHV Nodes Base AV-UV: Ultimate AHV Nodes Variable EX-UB: Ultimate ESX Nodes Base EX-UV: Ultimate ESX Nodes Variable
NOTE: Note for example “NT-W-DS-STR-SD” PID can be decoded as, NT=Nutanix, W-DS= Design Workshop, STR=Starter, SD= Standard Documentation			

Nutanix Software PIDs and Description

Table 44 Software Options and Metric

Software Option	Software Description	Metric
Nutanix Cloud Infrastructure (NCI)	NCI is a complete software stack to unify your hybrid cloud infrastructure including compute, storage and network, hypervisors, and containers, in public or enterprise clouds	Per Core
Nutanix Cloud Infrastructure - Compute Only (NCI-C)	NCI-C is an enterprise virtualization platform that integrates with qualified storage partners to support demanding mission-critical applications.	Per Core
Nutanix Cloud Infrastructure Data (NCI-D)	Delivers rich data and storage services but does not include Nutanix compute and networking capabilities. No support for AHV	Per Core
Nutanix Cloud Infrastructure Edge (NCI-Edge)	Nutanix Cloud Infrastructure - Edge (NCI-Edge) provides a distributed infrastructure platform for small edge deployments. NCI-Edge provides the same capabilities as NCI, combining compute, storage, and networking resources from a cluster of servers into a single logical pool with integrated resiliency, security, performance, and simplified administration.	Per VM
Nutanix Cloud Manager (NCM)	NCM offers intelligent operations, self service and orchestration, visibility and governance of spend, security and teams	Per Core
Nutanix Cloud Manager Edge (NCM-E)	Provides NCM capabilities for Edge deployments	Per VM
Nutanix Cloud Manager EUC (NCM-U)	Provides NCM capabilities in VDI use cases	Per User
Nutanix Cloud Platform (NCP)	Bundle for NCI and NCM	Per Core
Nutanix Cloud Platform - Compute Only (NCP-C)	Bundle for NCI-C and NCM	Per Core
Nutanix Unified Storage™ (NUS)	Nutanix Unified Storage™ (NUS) is a software-defined data services platform that consolidates the management and protection of siloed block, file, and object storage into a single, unified platform.	Per TIB
Nutanix Data Lens (NDL)	Nutanix Data Lens is a SaaS-based cyberstorage solution offering ransomware resilience and global data visibility for unstructured data on Nutanix Unified Storage (NUS).	Per TIB
End User Computing (EUC)	on-prem VDI and Desktop as a Service (DaaS) use cases	Per User
Nutanix Kubernetes Platform (NKP)	Nutanix Kubernetes Platform (NKP) combines the Nutanix Kubernetes Engine (NKE) features with their acquisition of the D2iQ product family to bring a consolidated runtime, orchestration, and management environment to our cloud native customers.	Per Core/Per VM ¹
Nutanix Enterprise AI (NAI)	Nutanix Enterprise AI is a comprehensive software platform designed to simplify and secure the deployment, management, and scaling of generative AI (GenAI) applications.	Per Core/vCPU and GB ²

Notes:

1. For NKP FS STR/PRO/ULT, the metric is calculated per core, whereas for NKP PRO/ULT, the calculated is measured per VM.
2. For NAI both per core/vCPU and GPU memory (GB) licenses are required.

Table 45 Nutanix Software License Tiers

NCI Starter	NCI Professional	NCI Ultimate
<p>Core set of software functionality</p> <p>Ideal for: Small-scale deployments with a limited set of workloads (on-prem only)</p>	<p>Rich data services, resilience and management features</p> <p>Ideal for: Running multiple applications or large-scale single workload deployments (on-prem or in public clouds)</p>	<p>Full suite of Nutanix software capabilities to tackle complex infrastructure challenges</p> <p>Ideal for: Multi-site deployments and advanced security requirements (on-prem or in public clouds)</p>



NOTE:

- Prism Central will be required for all licensing actions.
- Licenses are portable across Cisco hardware platforms in HCL.

(1) Nutanix Cloud Infrastructure (NCI):

Nutanix Cloud Infrastructure (NCI) converges the entire datacenter stack, including compute, storage, storage networking, and virtualization and is at the core of creating a hyperconverged infrastructure environment. Complex and expensive legacy infrastructure is replaced by NCI, running on industry-standard servers loaded with the latest hardware technologies. This allows enterprises to deploy what you need for the short term, and scale on-demand as infrastructure needs increase over time. Each server, often referred to as a node in the context of HCI, is an x86 platform with direct-attached storage drives. NCI software runs on each node, distributing all operating functions across the cluster for superior performance and resilience, and enabling seamless scalability.



NOTE:

- For more information about Nutanix Cloud Infrastructure (NCI), please visit <https://www.nutanix.com/products/nutanix-cloud-infrastructure>
- For more information about Nutanix Cloud Platform software options, please visit <https://www.nutanix.com/products/cloud-platform/software-options>
- Please note that the Federal Support program is reserved for US Federal accounts. US Federal accounts must select Federal Support Tier for the order to be fulfilled. If a non-Federal account selects a Federal Support program, Nutanix may not fulfill the order. Additionally, Nutanix's Mixed Support Level Guidelines (<https://www.nutanix.com/support-services/product-support/support-policies-and-faqs?show=accordion-4>) requires all software assets within a cluster to have the same support level, else software support will default to the lower option.
- Sellers in the Federal space need to ensure they have the Federal Support SKU's on the quote and order. All orders without the Federal Support SKU's will be rejected by Nutanix. Refer this Knowledge base article for more info: <https://computekb.cisco.com/article/nutanix-support-for-federal-customers.html>
- Authorized Partners of Nutanix can offer Level 1 & Level 2 support for Nutanix Software. for the complete list visit <https://computekb.cisco.com/article/rules-for-ordering-nutanix-partner-support-skus.html>
- The quantity of NCI license must match with total number for processor cores in hardware platforms.

Table 46.0 Nutanix Cloud Infrastructure (NCI)

Product ID (PID)	PID Description
STR - STARTER	
NT-NCI-STR-PR	Subscription, Nutanix Cloud Infrastructure (NCI) Starter Software License & Production Software Support Service for 1 CPU Core
NT-NCI-STR-MC	Subscription, Nutanix Cloud Infrastructure (NCI) Starter Software License & Mission Critical Software Support Service for 1 CPU Core
NT-NCI-STR-AP	Subscription, Nutanix Cloud Infrastructure (NCI) Starter Software License & L3 Production Software Support Service for 1 CPU Core (Authorized Support Partners provides L1, L2 support)
NT-NCI-STR-AM	Subscription, Nutanix Cloud Infrastructure (NCI) Starter Software License & L3 Mission Critical Software Support Service for 1 CPU Core (Authorized Support Partners provides L1, L2 support)

Table 46.0 Nutanix Cloud Infrastructure (NCI)

NT-NCI-STR-FP	Subscription, Nutanix Cloud Infrastructure (NCI) Starter Software License & Federal Production Software Support Service for 1 CPU Core
NT-NCI-STR-FM	Subscription, Nutanix Cloud Infrastructure (NCI) Starter Software License & Federal Mission Critical Software Support Service for 1 CPU Core
PRO - PROFESSIONAL	
NT-NCI-PRO-PR	Subscription, Nutanix Cloud Infrastructure (NCI) Pro Software License & Production Software Support Service for 1 CPU Core
NT-NCI-PRO-MC	Subscription, Nutanix Cloud Infrastructure (NCI) Pro Software License & Mission Critical Software Support Service for 1 CPU Core
NT-NCI-PRO-AP	Subscription, Nutanix Cloud Infrastructure (NCI) Professional Software License & L3 Production Software Support Service for 1 CPU Core (Authorized Support Partners provides L1, L2 support)
NT-NCI-PRO-AM	Subscription, Nutanix Cloud Infrastructure (NCI) Professional Software License & L3 Mission Critical Software Support Service for 1 CPU Core (Authorized Support Partners provides L1, L2 support)
NT-NCI-PRO-FP	Subscription, Nutanix Cloud Infrastructure (NCI) Pro Software License & Federal Production Software Support Service for 1 CPU Core
NT-NCI-PRO-FM	Subscription, Nutanix Cloud Infrastructure (NCI) Pro Software License & Federal Mission Critical Software Support Service for 1 CPU Core
ULT - ULTIMATE	
NT-NCI-ULT-PR	Subscription, Nutanix Cloud Infrastructure (NCI) Ultimate Software License & Production Software Support Service for 1 CPU Core
NT-NCI-ULT-MC	Subscription, Nutanix Cloud Infrastructure (NCI) Ultimate Software License & Mission Critical Software Support Service for 1 CPU Core
NT-NCI-ULT-AP	Subscription, Nutanix Cloud Infrastructure (NCI) Ultimate Software License & L3 Production Software Support Service for 1 CPU Core (Authorized Support Partners provides L1, L2 support)
NT-NCI-ULT-AM	Subscription, Nutanix Cloud Infrastructure (NCI) Ultimate Software License & Mission Critical Software Support Service for 1 CPU Core (Authorized Support Partners provides L1, L2 support)
NT-NCI-ULT-FP	Subscription, Nutanix Cloud Infrastructure (NCI) Ultimate Software License & Federal Production Software Support Service for 1 CPU Core
NT-NCI-ULT-FM	Subscription, Nutanix Cloud Infrastructure (NCI) Ultimate Software License & Federal Mission Critical Software Support Service for 1 CPU Core
ADVANCED REPLICATION	
NT-A-NCI-ADR-PR	Subscription, Nutanix Cloud Infrastructure (NCI) Advanced Replication add-on Software License & Production Software Support Service for 1 CPU Core
NT-A-NCI-ADR-MC	Subscription, Nutanix Cloud Infrastructure (NCI) Advanced Replication add-on Software License & Mission Critical Software Support Service for 1 CPU Core

Table 46.0 Nutanix Cloud Infrastructure (NCI)

NT-A-NCI-ADR-AP	Subscription, Nutanix Cloud Infrastructure (NCI) Advanced Replication add-on Software License & L3 Production Software Support Service for 1 CPU Core (Authorized Support Partners provides L1, L2 support)
NT-A-NCI-ADR-AM	Subscription, Nutanix Cloud Infrastructure (NCI) Advanced Replication add-on Software License & L3 Mission Critical Software Support Service for 1 CPU Core (Authorized Support Partners provides L1, L2 support)
NT-A-NCI-ADR-FP	Subscription, Nutanix Cloud Infrastructure (NCI) Advanced Replication add-on Software License & Federal Production Software Support Service for 1 CPU Core
NT-A-NCI-ADR-FM	Subscription, Nutanix Cloud Infrastructure (NCI) Advanced Replication add-on Software License & Federal Mission Critical Software Support Service for 1 CPU Core
SECURITY	
NT-A-NCI-SEC-PR	Subscription, Nutanix Cloud Infrastructure (NCI) Security add-on Software License & Production Software Support Service for 1 CPU Core
NT-A-NCI-SEC-MC	Subscription, Nutanix Cloud Infrastructure (NCI) Security add-on Software License & Mission Critical Software Support Service for 1 CPU Core
NT-A-NCI-SEC-AP	Subscription, Nutanix Cloud Infrastructure (NCI) Security add-on Software License & L3 Production Software Support Service for 1 CPU Core (Authorized Support Partners provides L1, L2 support)
NT-A-NCI-SEC-AM	Subscription, Nutanix Cloud Infrastructure (NCI) Security add-on Software License & L3 Mission Critical Software Support Service for 1 CPU Core (Authorized Support Partners provides L1, L2 support)
NT-A-NCI-SEC-FP	Subscription, Nutanix Cloud Infrastructure (NCI) Security add-on Software License & Federal Production Software Support Service for 1 CPU Core
NT-A-NCI-SEC-FM	Subscription, Nutanix Cloud Infrastructure (NCI) Security add-on Software License & Federal Mission Critical Software Support Service for 1 CPU Core

[Table 10.0, Nutanix Software NCI, NCI-C, NCI-D, NCP \(NCI-PRO\), NCP \(NCI-ULT\), NCP-C \(NCIC-PRO\), NCP-C \(NCIC-ULT\) 1 YEAR SUBSCRIPTION with professional services PID Mapping](#)

[Table 10.1, Nutanix Software NCI, NCI-C, NCI-D, NCP \(NCI-PRO\), NCP \(NCI-ULT\), NCP-C \(NCIC-PRO\), NCP-C \(NCIC-ULT\) 3 YEAR SUBSCRIPTION with professional services PID Mapping](#)

(2) Nutanix Cloud Infrastructure - Compute-Only (NCI-C):

Nutanix Cloud Infrastructure - Compute-Only (NCI-C) is an enterprise virtualization platform that converges Nutanix’s operational model and automation of NCI with everupure FlashArray to deliver a high-performance and secure solution for demanding data and mission-critical workload. NCI-C provides VM-centric data management delegating snapshots, clones, and related operations to storage platform for efficiency and performance. Multilayer security protects mission-critical environments with micro segmentation, least-privileged access and compliance guardrails supported by storage-level encryption within everupure. This solution is ideally suited to supporting mission-critical applications for customers from highly regulated industries, such as finance, healthcare and government.



NOTE:

- For more information about Nutanix Cloud Infrastructure - Compute-Only (NCI-C), please visit <https://www.nutanix.com/products/nutanix-cloud-infrastructure/compute>
- For more information about Nutanix Cloud Infrastructure capabilities and software options, please visit <https://www.nutanix.com/library/datasheets/nci-c>
- For more information about Nutanix Cloud Platform software options, please visit <https://www.nutanix.com/products/cloud-platform/software-options>
- Please note that the Federal Support program is reserved for US Federal accounts. US Federal accounts must select Federal Support Tier for the order to be fulfilled. If a non-Federal account selects a Federal Support program, Nutanix may not fulfill the order. Additionally, Nutanix’s Mixed Support Level Guidelines (<https://www.nutanix.com/support-services/product-support/support-policies-and-faqs?show=accordion-4>) requires all software assets within a cluster to have the same support level, else software support will default to the lower option.
- Sellers in the Federal space need to ensure they have the Federal Support SKU's on the quote and order. All orders without the Federal Support SKU's will be rejected by Nutanix. Refer this Knowledge base article for more info: <https://computekb.cisco.com/article/nutanix-support-for-federal-customers.html>
- Authorized Partners of Nutanix can offer Level 1 & Level 2 support for Nutanix Software. for the complete list visit <https://computekb.cisco.com/article/rules-for-ordering-nutanix-partner-support-skus.html>



WARNING:

- The NCI-C license requires a minimum initial purchase of 2,000 cores (same or varying tiers).
- After this threshold is met, the customer is no longer subject to a minimum core requirement for subsequent orders. The quantity of NCI-C license must match the total number for processor cores in hardware platforms.

Table 46.1 Nutanix Cloud Infrastructure - Compute Only (NCI-C)

Product ID (PID)	PID Description
STR - STARTER	
NT-NCIC-STR-PR	Subscription, Nutanix Cloud Infrastructure - Compute Only (NCI-C) Starter Software License & Production Software Support Service for 1 CPU Core
NT-NCIC-STR-MC	Subscription, Nutanix Cloud Infrastructure - Compute Only (NCI-C) Starter Software License & Mission Critical Software Support Service for 1 CPU Core

Table 46.1 Nutanix Cloud Infrastructure - Compute Only (NCI-C)

NT-NCIC-STR-FP	Subscription, Nutanix Cloud Infrastructure - Compute Only (NCI-C) Starter Software License & Federal Production Software Support Service for 1 CPU Core
NT-NCIC-STR-FM	Subscription, Nutanix Cloud Infrastructure - Compute Only (NCI-C) Starter Software License & Federal Mission Critical Software Support Service for 1 CPU Core
PRO - PROFESSIONAL	
NT-NCIC-PRO-PR	Subscription, Nutanix Cloud Infrastructure - Compute Only (NCI-C) Pro Software License & Production Software Support Service for 1 CPU Core
NT-NCIC-PRO-MC	Subscription, Nutanix Cloud Infrastructure - Compute Only (NCI-C) Pro Software License & Mission Critical Software Support Service for 1 CPU Core
NT-NCIC-PRO-FP	Subscription, Nutanix Cloud Infrastructure - Compute Only (NCI-C) Pro Software License & Federal Production Software Support Service for 1 CPU Core
NT-NCIC-PRO-FM	Subscription, Nutanix Cloud Infrastructure - Compute Only (NCI-C) Pro Software License & Federal Mission Critical Software Support Service for 1 CPU Core
ULT - ULTIMATE	
NT-NCIC-ULT-PR	Subscription, Nutanix Cloud Infrastructure - Compute Only (NCI-C) Ultimate Software License & Production Software Support Service for 1 CPU Core
NT-NCIC-ULT-MC	Subscription, Nutanix Cloud Infrastructure - Compute Only (NCI-C) Ultimate Software License & Mission Critical Software Support Service for 1 CPU Core
NT-NCIC-ULT-FP	Subscription, Nutanix Cloud Infrastructure - Compute Only (NCI-C) Ultimate Software License & Federal Production Software Support Service for 1 CPU Core
NT-NCIC-ULT-FM	Subscription, Nutanix Cloud Infrastructure - Compute Only (NCI-C) Ultimate Software License & Federal Mission Critical Software Support Service for 1 CPU Core
ADVANCED REPLICATION	
NT-A-NCIC-ADR-PR	Subscription, Nutanix Cloud Infrastructure - Compute Only (NCI-C) Advanced Replication Software License & Production Software Support Service for 1 CPU Core
NT-A-NCIC-ADR-MC	Subscription, Nutanix Cloud Infrastructure - Compute Only (NCI-C) Advanced Replication Software License & Mission Critical Software Support Service for 1 CPU Core
NT-A-NCIC-ADR-FP	Subscription, Nutanix Cloud Infrastructure - Compute Only (NCI-C) Advanced Replication Software License & Federal Production Software Support Service for 1 CPU Core
NT-A-NCIC-ADR-FM	Subscription, Nutanix Cloud Infrastructure - Compute Only (NCI-C) Advanced Replication Software License & Federal Mission Critical Software Support Service for 1 CPU Core
SECURITY	
NT-A-NCIC-SEC-PR	Subscription, Nutanix Cloud Infrastructure - Compute Only (NCI-C) Security Software License & Production Software Support Service for 1 CPU Core

Table 46.1 Nutanix Cloud Infrastructure - Compute Only (NCI-C)

NT-A-NCIC-SEC-MC	Subscription, Nutanix Cloud Infrastructure - Compute Only (NCI-C) Security Software License & Mission Critical Software Support Service for 1 CPU Core
NT-A-NCIC-SEC-FP	Subscription, Nutanix Cloud Infrastructure - Compute Only (NCI-C) Security Software License & Federal Production Software Support Service for 1 CPU Core
NT-A-NCIC-SEC-FM	Subscription, Nutanix Cloud Infrastructure - Compute Only (NCI-C) Security Software License & Federal Mission Critical Software Support Service for 1 CPU Core

[Table 10.0, Nutanix Software NCI, NCI-C, NCI-D, NCP \(NCI-PRO\), NCP \(NCI-ULT\), NCP-C \(NCIC-PRO\), NCP-C \(NCIC-ULT\) 1 YEAR SUBSCRIPTION with professional services PID Mapping](#)

[Table 10.1, Nutanix Software NCI, NCI-C, NCI-D, NCP \(NCI-PRO\), NCP \(NCI-ULT\), NCP-C \(NCIC-PRO\), NCP-C \(NCIC-ULT\) 3 YEAR SUBSCRIPTION with professional services PID Mapping](#)

(3) Nutanix Cloud Infrastructure Data (NCI-D):

Nutanix supports freedom of choice of hypervisor and container platform, by offering a version called NCI Data that delivers rich data and storage services but does not include Nutanix compute and networking capabilities. Support for Hypervisor specific features, such as GPU support on ESXi, is not impacted by NCI Data licensing tiers.



NOTE:

- For more information about Nutanix Cloud Infrastructure (NCI), please visit <https://www.nutanix.com/products/nutanix-cloud-infrastructure>
- For more information about Nutanix Cloud Platform software options, please visit <https://www.nutanix.com/products/cloud-platform/software-options> Please note, the grey rows in the software options table under NCI are not included in NCI Data.
- Please note that the Federal Support program is reserved for US Federal accounts. US Federal accounts must select Federal Support Tier for the order to be fulfilled. If a non-Federal account selects a Federal Support program, Nutanix may not fulfill the order. Additionally, Nutanix's Mixed Support Level Guidelines(<https://www.nutanix.com/support-services/product-support/support-policies-and-faqs?show=accordion-4>) requires all software assets within a cluster to have the same support level, else software support will default to the lower option.
- Sellers in the Federal space need to ensure they have the Federal Support SKU's on the quote and order. All orders without the Federal Support SKU's will be rejected by Nutanix. Refer this Knowledge base article for more info: <https://compute.kb.cisco.com/article/nutanix-support-for-federal-customers.html>
- Authorized Partners of Nutanix can offer Level 1 & Level 2 support for Nutanix Software. for the complete list visit <https://compute.kb.cisco.com/article/rules-for-ordering-nutanix-partner-support-skus.html>
- The quantity of NCI-D license must match with total number for processor cores in hardware platforms.

Table 46.2 Nutanix Cloud Infrastructure Data (NCI-D)

Product ID (PID)	PID Description
STR - STARTER	
NT-NCI-D-STR-PR	Subscription, Nutanix Cloud Infrastructure Data (NCI-D) Starter Software License & Production Software Support Service for 1 CPU Core
NT-NCI-D-STR-MC	Subscription, Nutanix Cloud Infrastructure Data (NCI-D) Starter Software License & Mission Critical Software Support Service for 1 CPU Core
NT-NCI-D-STR-AP	Subscription, Nutanix Cloud Infrastructure Data (NCI-D) Starter Software License & L3 Production Software Support Service for 1 CPU Core (Authorized Support Partners provides L1, L2 support)
NT-NCI-D-STR-AM	Subscription, Nutanix Cloud Infrastructure Data (NCI-D) Starter Software License & L3 Mission Critical Software Support Service for 1 CPU Core (Authorized Support Partners provides L1, L2 support)
NT-NCI-D-STR-FP	Subscription, Nutanix Cloud Infrastructure Data (NCI-D) Starter Software License & Federal Production Software Support Service for 1 CPU Core
NT-NCI-D-STR-FM	Subscription, Nutanix Cloud Infrastructure Data (NCI-D) Starter Software License & Federal Mission Critical Software Support Service for 1 CPU Core

Table 46.2 Nutanix Cloud Infrastructure Data (NCI-D)

PRO - PROFESSIONAL	
NT-NCI-D-PRO-PR	Subscription, Nutanix Cloud Infrastructure Data (NCI-D) Pro Software License & Production Software Support Service for 1 CPU Core
NT-NCI-D-PRO-MC	Subscription, Nutanix Cloud Infrastructure Data (NCI-D) Pro Software License & Mission Critical Software Support Service for 1 CPU Core
NT-NCI-D-PRO-AP	Subscription, Nutanix Cloud Infrastructure Data (NCI-D) Pro Software License & L3 Production Software Support Service for 1 CPU Core (Authorized Support Partners provides L1, L2 support)
NT-NCI-D-PRO-AM	Subscription, Nutanix Cloud Infrastructure Data (NCI-D) Pro Software License & L3 Mission Critical Software Support Service for 1 CPU Core (Authorized Support Partners provides L1, L2 support)
NT-NCI-D-PRO-FP	Subscription, Nutanix Cloud Infrastructure Data (NCI-D) Pro Software License & Federal Production Software Support Service for 1 CPU Core
NT-NCI-D-PRO-FM	Subscription, Nutanix Cloud Infrastructure Data (NCI-D) Pro Software License & Federal Mission Critical Software Support Service for 1 CPU Core
ULT - ULTIMATE	
NT-NCI-D-ULT-PR	Subscription, Nutanix Cloud Infrastructure Data (NCI-D) Ultimate Software License & Production Software Support Service for 1 CPU Core
NT-NCI-D-ULT-MC	Subscription, Nutanix Cloud Infrastructure Data (NCI-D) Ultimate Software License & Mission Critical Software Support Service for 1 CPU Core
NT-NCI-D-ULT-AP	Subscription, Nutanix Cloud Infrastructure Data (NCI-D) Ultimate Software License & L3 Production Software Support Service for 1 CPU Core (Authorized Support Partners provides L1, L2 support)
NT-NCI-D-ULT-AM	Subscription, Nutanix Cloud Infrastructure Data (NCI-D) Ultimate Software License & L3 Mission Critical Software Support Service for 1 CPU Core (Authorized Support Partners provides L1, L2 support)
NT-NCI-D-ULT-FP	Subscription, Nutanix Cloud Infrastructure Data (NCI-D) Ultimate Software License & Federal Production Software Support Service for 1 CPU Core
NT-NCI-D-ULT-FM	Subscription, Nutanix Cloud Infrastructure Data (NCI-D) Ultimate Software License & Federal Mission Critical Software Support Service for 1 CPU Core
ADVANCED REPLICATION	
NT-A-NCI-D-ADR-PR	Subscription, Nutanix Cloud Infrastructure Data (NCI-D) Advanced Replication add-on Software License & Production Software Support Service for 1 CPU Core
NT-A-NCI-D-ADR-MC	Subscription, Nutanix Cloud Infrastructure Data (NCI-D) Advanced Replication add-on Software License & Mission Critical Software Support Service for 1 CPU Core
NT-A-NCI-D-ADR-AP	Subscription, Nutanix Cloud Infrastructure Data (NCI-D) Advanced Replication add-on Software License & L3 Production Software Support Service for 1 CPU Core (Authorized Support Partners provides L1, L2 support)

Table 46.2 Nutanix Cloud Infrastructure Data (NCI-D)

NT-A-NCI-D-ADR-AM	Subscription, Nutanix Cloud Infrastructure Data (NCI-D) Advanced Replication add-on Software License & L3 Mission Critical Software Support Service for 1 CPU Core (Authorized Support Partners provides L1, L2 support)
NT-A-NCI-D-ADR-FP	Subscription, Nutanix Cloud Infrastructure Data (NCI-D) Advanced Replication add-on Software License & Federal Production Software Support Service for 1 CPU Core
NT-A-NCI-D-ADR-FM	Subscription, Nutanix Cloud Infrastructure Data (NCI-D) Advanced Replication add-on Software License & Federal Mission Critical Software Support Service for 1 CPU Core
SECURITY	
NT-A-NCI-D-SEC-PR	Subscription, Nutanix Cloud Infrastructure Data (NCI-D) Security add-on Software License & Production Software Support Service for 1 CPU Core
NT-A-NCI-D-SEC-MC	Subscription, Nutanix Cloud Infrastructure Data (NCI-D) Security add-on Software License & Mission Critical Software Support Service for 1 CPU Core
NT-A-NCI-D-SEC-AP	Subscription, Nutanix Cloud Infrastructure Data (NCI-D) Security add-on Software License & L3 Production Software Support Service for 1 CPU Core (Authorized Support Partners provides L1, L2 support)
NT-A-NCI-D-SEC-AM	Subscription, Nutanix Cloud Infrastructure Data (NCI-D) Security add-on Software License & L3 Mission Critical Software Support Service for 1 CPU Core (Authorized Support Partners provides L1, L2 support)
NT-A-NCI-D-SEC-FP	Subscription, Nutanix Cloud Infrastructure Data (NCI-D) Security add-on Software License & Federal Production Software Support Service for 1 CPU Core
NT-A-NCI-D-SEC-FM	Subscription, Nutanix Cloud Infrastructure Data (NCI-D) Security add-on Software License & Federal Mission Critical Software Support Service for 1 CPU Core

[Table 10.0, Nutanix Software NCI, NCI-C, NCI-D, NCP \(NCI-PRO\), NCP \(NCI-ULT\), NCP-C \(NCIC-PRO\), NCP-C \(NCIC-ULT\) 1 YEAR SUBSCRIPTION with professional services PID Mapping](#)

[Table 10.1, Nutanix Software NCI, NCI-C, NCI-D, NCP \(NCI-PRO\), NCP \(NCI-ULT\), NCP-C \(NCIC-PRO\), NCP-C \(NCIC-ULT\) 3 YEAR SUBSCRIPTION with professional services PID Mapping](#)

(4) Nutanix Cloud Infrastructure Edge (NCI-E):

Nutanix Cloud Infrastructure - Edge (NCI-E) provides a distributed infrastructure platform for small edge deployments. NCI-Edge provides the same capabilities as NCI, combining compute, storage, and networking resources from a cluster of servers into a single logical pool with integrated resiliency, security, performance, and simplified administration. With NCI-Edge, organizations can efficiently extend the Nutanix platform to remote office/branch office (ROBO) and other edge use cases.

- 1 TiB of NUS Pro per NCI-Edge cluster is included at no cost with NCI-Edge.
- NCI-Edge licenses must run on a dedicated licensed cluster with no core-based licensing. Mixing of NCI-Edge licenses with other types of NCI licensing within a cluster is not supported.
- NCI-Edge can be used with any cluster deployment type as long as the conditions mentioned are followed.
- Maximum nodes for the Edge cluster is 5.



NOTE:

- For more information about Nutanix Cloud Infrastructure (NCI), please visit <https://www.nutanix.com/products/nutanix-cloud-infrastructure>
- For more information about Nutanix NCI Edge software options, please visit <https://www.nutanix.com/products/cloud-platform/software-options>
- Please note that the Federal Support program is reserved for US Federal accounts. US Federal accounts must select Federal Support Tier for the order to be fulfilled. If a non-Federal account selects a Federal Support program, Nutanix may not fulfill the order. Additionally, Nutanix's Mixed Support Level Guidelines (<https://www.nutanix.com/support-services/product-support/support-policies-and-faqs?show=acordion-4>) requires all software assets within a cluster to have the same support level, else software support will default to the lower option.
- Sellers in the Federal space need to ensure they have the Federal Support SKU's on the quote and order. All orders without the Federal Support SKU's will be rejected by Nutanix. Refer this Knowledge base article for more info: <https://computekb.cisco.com/article/nutanix-support-for-federal-customers.html>
- Authorized Partners of Nutanix can offer Level 1 & Level 2 support for Nutanix Software. for the complete list visit <https://computekb.cisco.com/article/rules-for-ordering-nutanix-partner-support-skus.html>
- NCI-Edge is limited to a maximum of 25 VMs in a cluster, with each VM being limited to a maximum of 96GB of memory.
- The quantity of NCI-Edge license must match with Total number for VMs running in the cluster.
- For the purpose of calculation, internal VMs (or Nutanix infrastructure VMs) such as Controller VM or Prism Central VM are not counted.

Table 46.3 Nutanix Cloud Infrastructure Edge (NCI-E)

Product ID (PID)	PID Description
STR - STARTER	
NT-NCI-E-STR-PR	Subscription, Nutanix Cloud Infrastructure (NCI) Starter Software License for Edge sites & Production Software Support Service for 1 VM
NT-NCI-E-STR-MC	Subscription, Nutanix Cloud Infrastructure (NCI) Starter Software License for Edge sites & Mission Critical Software Support Service for 1 VM
NT-NCI-E-STR-AP	Subscription, Nutanix Cloud Infrastructure (NCI) Starter Software License for Edge sites & L3 Production Software Support Service for 1 VM (Authorized Support Partners provides L1, L2 support)

Table 46.3 Nutanix Cloud Infrastructure Edge (NCI-E)

NT-NCI-E-STR-AM	Subscription, Nutanix Cloud Infrastructure (NCI) Starter Software License for Edge sites & L3 Mission Critical Software Support Service for 1 VM (Authorized Support Partners provides L1, L2 support)
NT-NCI-E-STR-FP	Subscription, Nutanix Cloud Infrastructure (NCI) Starter Software License for Edge sites & Federal Production Software Support Service for 1 VM
NT-NCI-E-STR-FM	Subscription, Nutanix Cloud Infrastructure (NCI) Starter Software License for Edge sites & Federal Mission Critical Software Support Service for 1 VM
PRO - PROFESSIONAL	
NT-NCI-E-PRO-PR	Subscription, Nutanix Cloud Infrastructure (NCI) Pro Software License for Edge sites & Production Software Support Service for 1 VM
NT-NCI-E-PRO-MC	Subscription, Nutanix Cloud Infrastructure (NCI) Pro Software License for Edge sites & Mission Critical Software Support Service for 1 VM
NT-NCI-E-PRO-AP	Subscription, Nutanix Cloud Infrastructure (NCI) Pro Software License for Edge sites & L3 Production Software Support Service for 1 VM (Authorized Support Partners provides L1, L2 support)
NT-NCI-E-PRO-AM	Subscription, Nutanix Cloud Infrastructure (NCI) Pro Software License for Edge sites & L3 Mission Critical Software Support Service for 1 VM (Authorized Support Partners provides L1, L2 support)
NT-NCI-E-PRO-FP	Subscription, Nutanix Cloud Infrastructure (NCI) Pro Software License for Edge sites & Federal Production Software Support Service for 1 VM
NT-NCI-E-PRO-FM	Subscription, Nutanix Cloud Infrastructure (NCI) Pro Software License for Edge sites & Federal Mission Critical Software Support Service for 1 VM
ULT - ULTIMATE	
NT-NCI-E-ULT-PR	Subscription, Nutanix Cloud Infrastructure (NCI) Ultimate Software License for Edge sites & Production Software Support Service for 1 VM
NT-NCI-E-ULT-MC	Subscription, Nutanix Cloud Infrastructure (NCI) Ultimate Software License for Edge sites & Mission Critical Software Support Service for 1 VM
NT-NCI-E-ULT-AP	Subscription, Nutanix Cloud Infrastructure (NCI) Ultimate Software License for Edge sites & L3 Production Software Support Service for 1 VM (Authorized Support Partners provides L1, L2 support)
NT-NCI-E-ULT-AM	Subscription, Nutanix Cloud Infrastructure (NCI) Ultimate Software License for Edge sites & L3 Mission Critical Software Support Service for 1 VM (Authorized Support Partners provides L1, L2 support)
NT-NCI-E-ULT-FP	Subscription, Nutanix Cloud Infrastructure (NCI) Ultimate Software License for Edge sites & Federal Production Software Support Service for 1 VM
NT-NCI-E-ULT-FM	Subscription, Nutanix Cloud Infrastructure (NCI) Ultimate Software License for Edge sites & Federal Mission Critical Software Support Service for 1 VM

[Table 10.0, Nutanix Software NCI, NCI-C, NCI-D, NCP \(NCI-PRO\), NCP \(NCI-ULT\), NCP-C \(NCIC-PRO\), NCP-C \(NCIC-ULT\) 1 YEAR SUBSCRIPTION with professional services PID Mapping](#)

[Table 10.1, Nutanix Software NCI, NCI-C, NCI-D, NCP \(NCI-PRO\), NCP \(NCI-ULT\), NCP-C \(NCIC-PRO\), NCP-C \(NCIC-ULT\) 3 YEAR SUBSCRIPTION with professional services PID Mapping](#)

(5) End User Computing (EUC):

Per user model offers hybrid cloud infrastructure capabilities appropriate for on-prem virtual desktop infrastructure (VDI) and Desktop as a Service (DaaS) use cases with pricing based on a Maximum Concurrent User basis (maximum number of provisioned end-user VMs). EUC per user is an alternative to the core-based NCI licensing option and is designed to provide simple, transparent licensing for all VDI users, regardless of the underlying hardware, hypervisor, or cloud.

- **Agnostic:** Works with any EUC management platform including Citrix Virtual Apps & Desktops and VMware Horizon
- **Term license:** Term license must run on a dedicated software licensed VDI cluster with no core-based licensing. Mixing of non-VDI workloads is not supported
- **Unified Storage:** Built-in and also available as a per TiB base add-on
- No additional license cost for DR site
- Portable across on-premises and public cloud, public cloud use requires Ultimate edition
- Available in Starter, Pro, and Ultimate editions
- Cloud Native and Database Service Add-ons not available with NCI EUC. Advanced Replication and Security Add-on features require NCI Ultimate edition

	EUC STARTER	EUC PROFESSIONAL	VDI ULTIMATE
NCI Feature Set	Everything in NCI Starter	Everything in NCI Professional	Everything in NCI Ultimate
Nutanix Unified Storage	1 TiB Free Capacity	50 GB Per User	100GB Per User

NOTE:



- For more information on End User Computing (EUC), please visit <https://www.nutanix.com/solutions/end-user-computing>
- For more information about Nutanix Cloud Platform software options, please visit <https://www.nutanix.com/products/cloud-platform/software-options>
- If the end user wants to run a mixed workload on same server (virtual machines that are not part of the VDI environment), NCI license is required.
- Please note that the Federal Support program is reserved for US Federal accounts. US Federal accounts must select Federal Support Tier for the order to be fulfilled. If a non-Federal account selects a Federal Support program, Nutanix may not fulfill the order. Additionally, Nutanix's Mixed Support Level Guidelines(<https://www.nutanix.com/support-services/product-support/support-policies-and-faqs?show=accordion-4>) requires all software assets within a cluster to have the same support level, else software support will default to the lower option.
- Sellers in the Federal space need to ensure they have the Federal Support SKU's on the quote and order. All orders without the Federal Support SKU's will be rejected by Nutanix. Refer this Knowledge base article for more info: <https://computekb.cisco.com/article/nutanix-support-for-federal-customers.html>
- Authorized Partners of Nutanix can offer Level 1 & Level 2 support for Nutanix Software. for the complete list visit <https://computekb.cisco.com/article/rules-for-ordering-nutanix-partner-support-skus.html>
- For 'PURE' EUC/VDI environment, there is no NCI license required.

Table 46.4 End User Computing (EUC)

Product ID (PID)	PID Description
STR - STARTER	
NT-EUC-STR-PR	Subscription, End User Computing (EUC) Starter Software License & Production Software Support Service for 1 User
NT-EUC-STR-MC	Subscription, End User Computing (EUC) Starter Software License & Mission Critical Software Support Service for 1 User
NT-EUC-STR-AP	Subscription, End User Computing (EUC) Starter Software License & L3 Production Software Support Service for 1 User (Authorized Support Partners provides L1, L2 support)
NT-EUC-STR-AM	Subscription, End User Computing (EUC) Starter Software License & L3 Mission Critical Software Support Service for 1 User (Authorized Support Partners provides L1, L2 support)
NT-EUC-STR-FP	Subscription, End User Computing (EUC) Starter Software License & Federal Production Software Support Service for 1 User
NT-EUC-STR-FM	Subscription, End User Computing (EUC) Starter Software License & Federal Mission Critical Software Support Service for 1 User
PRO- PROFESSIONAL	
NT-EUC-PRO-PR	Subscription, End User Computing (EUC) Pro Software License & Production Software Support Service for 1 User
NT-EUC-PRO-MC	Subscription, End User Computing (EUC) Pro Software License & Mission Critical Software Support Service for 1 User
NT-EUC-PRO-AP	Subscription, End User Computing (EUC) Pro Software License & L3 Production Software Support Service for 1 User (Authorized Support Partners provides L1, L2 support)
NT-EUC-PRO-AM	Subscription, End User Computing (EUC) Pro Software License & L3 Mission Critical Software Support Service for 1 User (Authorized Support Partners provides L1, L2 support)
NT-EUC-PRO-FP	Subscription, End User Computing (EUC) Pro Software License & Federal Production Software Support Service for 1 User
NT-EUC-PRO-FM	Subscription, End User Computing (EUC) Pro Software License & Federal Mission Critical Software Support Service for 1 User
ULT - ULTIMATE	
NT-EUC-ULT-PR	Subscription, End User Computing (EUC) Ultimate Software License & Production Software Support Service for 1 User
NT-EUC-ULT-MC	Subscription, End User Computing (EUC) Ultimate Software License & Mission Critical Software Support Service for 1 User
NT-EUC-ULT-AP	Subscription, End User Computing (EUC) Ultimate Software License & L3 Production Software Support Service for 1 User (Authorized Support Partners provides L1, L2 support)

Table 46.4 End User Computing (EUC)

NT-EUC-ULT-AM	Subscription, End User Computing (EUC) Ultimate Software License & L3 Mission Critical Software Support Service for 1 User (Authorized Support Partners provides L1, L2 support)
NT-EUC-ULT-FP	Subscription, End User Computing (EUC) Ultimate Software License & Federal Production Software Support Service for 1 User
NT-EUC-ULT-FM	Subscription, End User Computing (EUC) Ultimate Software License & Federal Mission Critical Software Support Service for 1 User

Table 10.0, Nutanix Software NCI, NCI-C, NCI-D, NCP (NCI-PRO), NCP (NCI-ULT), NCP-C (NCIC-PRO), NCP-C (NCIC-ULT) 1 YEAR SUBSCRIPTION with professional services PID Mapping

Table 10.1, Nutanix Software NCI, NCI-C, NCI-D, NCP (NCI-PRO), NCP (NCI-ULT), NCP-C (NCIC-PRO), NCP-C (NCIC-ULT) 3 YEAR SUBSCRIPTION with professional services PID Mapping

(6) Nutanix Cloud Manager (NCM):

Nutanix Cloud Manager (NCM) is a hybrid multi-cloud management platform for building a cloud operating model. NCM provides Intelligent Operations, Self-Service, Cost Governance, and Security natively with the Nutanix Platform or through a SaaS subscription.

- Self-service VMs and Apps are defined via simple blueprints, easily created, and managed via GUI/CLI.
- Management of IT lifecycle includes visibility, optimization, and financial control over multi-cloud deployments.
- Detect, monitor, and remediate security vulnerabilities and compliance near real-time across multiple cloud environment



NOTE:

- For more information Nutanix Cloud Manager (NCM), please visit <https://www.nutanix.com/products/cloud-manager>
- For more information about Nutanix Cloud Platform software options, please visit <https://www.nutanix.com/products/cloud-platform/software-options>
- Please note that the Federal Support program is reserved for US Federal accounts. US Federal accounts must select Federal Support Tier for the order to be fulfilled. If a non-Federal account selects a Federal Support program, Nutanix may not fulfill the order. Additionally, Nutanix's Mixed Support Level Guidelines(<https://www.nutanix.com/support-services/product-support/support-policies-and-faqs?show=accordion-4>) requires all software assets within a cluster to have the same support level, else software support will default to the lower option.
- Sellers in the Federal space need to ensure they have the Federal Support SKU's on the quote and order. All orders without the Federal Support SKU's will be rejected by Nutanix. Refer this Knowledge base article for more info: <https://compute.kb.cisco.com/article/nutanix-support-for-federal-customers.html>
- Authorized Partners of Nutanix can offer Level 1 & Level 2 support for Nutanix Software. For the complete list visit <https://compute.kb.cisco.com/article/rules-for-ordering-nutanix-partner-support-skus.html>
- The quantity of NCM license must match with total number for processor cores in hardware platforms.

Table 46.5 Nutanix Cloud Manager (NCM)

Product ID (PID)	PID Description
STR - STARTER	
NT-NCM-STR-PR	Subscription, Nutanix Cloud Manager (NCM) Starter Software License & Production Software Support Service for 1 CPU Core
NT-NCM-STR-MC	Subscription, Nutanix Cloud Manager (NCM) Starter Software License & Mission Critical Software Support Service for 1 CPU Core
NT-NCM-STR-AP	Subscription, Nutanix Cloud Manager (NCM) Starter Software License & L3 Production Software Support Service for 1 CPU Core (Authorized Support Partners provides L1, L2 support)
NT-NCM-STR-AM	Subscription, Nutanix Cloud Manager (NCM) Starter Software License & L3 Mission Critical Software Support Service for 1 CPU Core (Authorized Support Partners provides L1, L2 support)

Table 46.5 Nutanix Cloud Manager (NCM)

NT-NCM-STR-FP	Subscription, Nutanix Cloud Manager (NCM) Starter Software License & Federal Production Software Support Service for 1 CPU Core
NT-NCM-STR-FM	Subscription, Nutanix Cloud Manager (NCM) Starter Software License & Federal Mission Critical Software Support Service for 1 CPU Core
PRO - PROFESSIONAL	
NT-NCM-PRO-PR	Subscription, Nutanix Cloud Manager (NCM) Pro Software License & Production Software Support Service for 1 CPU Core
NT-NCM-PRO-MC	Subscription, Nutanix Cloud Manager (NCM) Pro Software License & Mission Critical Software Support Service for 1 CPU Core
NT-NCM-PRO-AP	Subscription, Nutanix Cloud Manager (NCM) Pro Software License & L3 Production Software Support Service for 1 CPU Core (Authorized Support Partners provides L1, L2 support)
NT-NCM-PRO-AM	Subscription, Nutanix Cloud Manager (NCM) Pro Software License & L3 Mission Critical Software Support Service for 1 CPU Core (Authorized Support Partners provides L1, L2 support)
NT-NCM-PRO-FP	Subscription, Nutanix Cloud Manager (NCM) Pro Software License & Federal Production Software Support Service for 1 CPU Core
NT-NCM-PRO-FM	Subscription, Nutanix Cloud Manager (NCM) Pro Software License & Federal Mission Critical Software Support Service for 1 CPU Core
ULT - ULTIMATE	
NT-NCM-ULT-PR	Subscription, Nutanix Cloud Manager (NCM) Ultimate Software License & Production Software Support Service for 1 CPU Core
NT-NCM-ULT-MC	Subscription, Nutanix Cloud Manager (NCM) Ultimate Software License & Mission Critical Software Support Service for 1 CPU Core
NT-NCM-ULT-AP	Subscription, Nutanix Cloud Manager (NCM) Ultimate Software License & L3 Production Software Support Service for 1 CPU Core (Authorized Support Partners provides L1, L2 support)
NT-NCM-ULT-AM	Subscription, Nutanix Cloud Manager (NCM) Ultimate Software License & L3 Mission Critical Software Support Service for 1 CPU Core (Authorized Support Partners provides L1, L2 support)
NT-NCM-ULT-FP	Subscription, Nutanix Cloud Manager (NCM) Ultimate Software License & Federal Production Software Support Service for 1 CPU Core
NT-NCM-ULT-FM	Subscription, Nutanix Cloud Manager (NCM) Ultimate Software License & Federal Mission Critical Software Support Service for 1 CPU Core
COST GOVERNANCE	
NT-NCM-CM-FP	Subscription, NCM Cost Governance as a Service for US Federal including Production Support for 1 VM
NT-NCM-CM-OV-FP	Overage, NCM Cost Governance as a Service for US Federal including Production Support for 1 VM

Table 46.5 Nutanix Cloud Manager (NCM)

NT-NCM-CM-OV-PR	Overage, NCM Cost Governance as a Service including Production Support for 1 VM
NT-NCM-CM-PR	Subscription, NCM Cost Governance as a Service including Production Support for 1 VM
SECURITY CENTRAL	
NT-NCM-SC-FP	Subscription, NCM Security Central as a Service for US Federal including Production Support for 1 VM
NT-NCM-SC-OV-FP	Overage, NCM Security Central as a Service for US Federal including Production Support for 1 VM
NT-NCM-SC-OV-PR	Overage, NCM Security Central as a Service including Production Support for 1 VM
NT-NCM-SC-PR	Subscription, NCM Security Central as a Service including Production Support for 1 VM
SELF SERVICE	
NT-NCM-SS-OV-PR	Overage, NCM Self-Service & Orchestration as a Service including Production Support for 1 VM
NT-NCM-SS-PR	Subscription, NCM Self-Service & Orchestration as a Service including Production Support for 1 VM

[Table 11, Nutanix Software NCM STR 1 YEAR AND 3 YEAR & ABOVE SUBSCRIPTION with Professional Services PID Mapping](#)

[Table 12, Nutanix Software NCM PRO, NCM ULT, NCP \(NCM-PRO\), NCP \(NCM-ULT\) 1 YEAR AND 3 YEAR & ABOVE SUBSCRIPTION with Professional services](#)

(7) Nutanix Cloud Manager Edge (NME):

Nutanix Cloud Manager (NCM) is a hybrid multi-cloud management platform for building a cloud operating model. NCM provides Intelligent Operations, Self-Service, Cost Governance, and Security natively with the Nutanix Platform or through a SaaS subscription.

- Self-service VMs and Apps are defined via simple blueprints, easily created, and managed via GUI/CLI.
- Management of IT lifecycle includes visibility, optimization, and financial control over multi-cloud deployments.
- Detect, monitor, and remediate security vulnerabilities and compliance near real-time across multiple cloud environment.

**NOTE:**

- For more information Nutanix Cloud Manager (NCM), please visit <https://www.nutanix.com/products/cloud-manager>
- For more information about Nutanix Cloud Platform software options, please visit <https://www.nutanix.com/products/cloud-platform/software-options>
- Please note that the Federal Support program is reserved for US Federal accounts. US Federal accounts must select Federal Support Tier for the order to be fulfilled. If a non-Federal account selects a Federal Support program, Nutanix may not fulfill the order. Additionally, Nutanix's Mixed Support Level Guidelines(<https://www.nutanix.com/support-services/product-support/support-policies-and-faqs?show=accordion-4>) requires all software assets within a cluster to have the same support level, else software support will default to the lower option.
- Sellers in the Federal space need to ensure they have the Federal Support SKU's on the quote and order. All orders without the Federal Support SKU's will be rejected by Nutanix. Refer this Knowledge base article for more info: <https://computekb.cisco.com/article/nutanix-support-for-federal-customers.html>
- PC 2024.2 is the minimum requirement for these licenses to be applied. Check and confirm the release schedule of PC before ordering these licenses.
- Authorized Partners of Nutanix can offer Level 1 & Level 2 support for Nutanix Software. For the complete list visit <https://computekb.cisco.com/article/rules-for-ordering-nutanix-partner-support-skus.html>

Table 46.6 Nutanix Cloud Manager Edge (NME)

Product ID (PID)	PID Description
STR - STARTER	
NT-NME-STR-PR	Subscription, Nutanix Cloud Manager (NCM) Starter Software License for Edge Sites & Production Software Support Service per VM
NT-NME-STR-MC	Subscription, Nutanix Cloud Manager (NCM) Starter Software License for Edge Sites & Mission Critical Software Support Service per VM
NT-NME-STR-AP	Subscription, Nutanix Cloud Manager (NCM) Starter Software License for Edge Sites & L3 Production Software Support Service per VM (Authorized Support Partners provides L1, L2 support)
NT-NME-STR-AM	Subscription, Nutanix Cloud Manager (NCM) Starter Software License for Edge Sites & L3 Mission Critical Software Support Service per VM (Authorized Support Partners provides L1, L2 support)

Table 46.6 Nutanix Cloud Manager Edge (NME)

NT-NME-STR-FP	Subscription, Nutanix Cloud Manager (NCM) Starter Software License for Edge Sites & FED Production Software Support Service per VM
NT-NME-STR-FM	Subscription, Nutanix Cloud Manager (NCM) Starter Software License for Edge Sites & FED Mission Critical Software Support Service per VM
PRO- PROFESSIONAL	
NT-NME-PRO-PR	Subscription, Nutanix Cloud Manager (NCM) Professional Software License for Edge Sites & Production Software Support Service per VM
NT-NME-PRO-MC	Subscription, Nutanix Cloud Manager (NCM) Professional Software License for Edge Sites & Mission Critical Software Support Service per VM
NT-NME-PRO-AP	Subscription, Nutanix Cloud Manager (NCM) Professional Software License for Edge Sites & L3 Production Software Support Service per VM (Authorized Support Partners provides L1, L2 support)
NT-NME-PRO-AM	Subscription, Nutanix Cloud Manager (NCM) Professional Software License for Edge Sites & L3 Mission Critical Software Support Service per VM (Authorized Support Partners provides L1, L2 support)
NT-NME-PRO-FP	Subscription, Nutanix Cloud Manager (NCM) Professional Software License for Edge Sites & FED Production Software Support Service per VM
NT-NME-PRO-FM	Subscription, Nutanix Cloud Manager (NCM) Professional Software License for Edge Sites & FED Mission Critical Software Support Service per VM
ULT - ULTIMATE	
NT-NME-ULT-PR	Subscription, Nutanix Cloud Manager (NCM) Ultimate Software License for Edge Sites & Production Software Support Service per VM
NT-NME-ULT-MC	Subscription, Nutanix Cloud Manager (NCM) Ultimate Software License for Edge Sites & Mission Critical Software Support Service per VM
NT-NME-ULT-AP	Subscription, Nutanix Cloud Manager (NCM) Ultimate Software License for Edge Sites & L3 Production Software Support Service per VM (Authorized Support Partners provides L1, L2 support)
NT-NME-ULT-AM	Subscription, Nutanix Cloud Manager (NCM) Ultimate Software License for Edge Sites & L3 Mission Critical Software Support Service per VM (Authorized Support Partners provides L1, L2 support)
NT-NME-ULT-FP	Subscription, Nutanix Cloud Manager (NCM) Ultimate Software License for Edge Sites & FED Production Software Support Service per VM
NT-NME-ULT-FM	Subscription, Nutanix Cloud Manager (NCM) Ultimate Software License for Edge Sites & FED Mission Critical Software Support Service per VM

[Table 11, Nutanix Software NCM STR 1 YEAR AND 3 YEAR & ABOVE SUBSCRIPTION with Professional Services PID Mapping](#)

[Table 12, Nutanix Software NCM PRO, NCM ULT, NCP \(NCM-PRO\), NCP \(NCM-ULT\) 1 YEAR AND 3 YEAR & ABOVE SUBSCRIPTION with Professional services](#)

(8) Nutanix Cloud Manager EUC (NCM-U):

Nutanix Cloud Manager (NCM) is a hybrid multi-cloud management platform for building a cloud operating model. NCM provides Intelligent Operations, Self-Service, Cost Governance, and Security natively with the Nutanix Platform or through a SaaS subscription.

- Self-service VMs and Apps are defined via simple blueprints, easily created, and managed via GUI/CLI.
- Management of IT lifecycle includes visibility, optimization, and financial control over multi-cloud deployments.
- Detect, monitor, and remediate security vulnerabilities and compliance near real-time across multiple cloud environment.



NOTE:

- For more information Nutanix Cloud Manager (NCM), please visit <https://www.nutanix.com/products/cloud-manager>
- For more information about Nutanix Cloud Platform software options, please visit <https://www.nutanix.com/products/cloud-platform/software-options>
- Please note that the Federal Support program is reserved for US Federal accounts. US Federal accounts must select Federal Support Tier for the order to be fulfilled. If a non-Federal account selects a Federal Support program, Nutanix may not fulfill the order. Additionally, Nutanix's Mixed Support Level Guidelines(<https://www.nutanix.com/support-services/product-support/support-policies-and-faqs?show=accordion-4>) requires all software assets within a cluster to have the same support level, else software support will default to the lower option.
- Sellers in the Federal space need to ensure they have the Federal Support SKU's on the quote and order. All orders without the Federal Support SKU's will be rejected by Nutanix. Refer this Knowledge base article for more info: <https://computekb.cisco.com/article/nutanix-support-for-federal-customers.html>
- PC 2024.2 is the minimum requirement for these licenses to be applied. Check and confirm the release schedule of PC before ordering these licenses.
- Authorized Partners of Nutanix can offer Level 1 & Level 2 support for Nutanix Software. For the complete list visit <https://computekb.cisco.com/article/rules-for-ordering-nutanix-partner-support-skus.html>

Table 46.7 Nutanix Cloud Manager EUC (NCM-U)

Product ID (PID)	PID Description
STR - STARTER	
NT-NCM-U-STR-PR	Subscription, Nutanix Cloud Manager (NCM) Starter Software License for EUC & Production Software Support Service per User
NT-NCM-U-STR-MC	Subscription, Nutanix Cloud Manager (NCM) Starter Software License for EUC & Mission Critical Software Support Service per User
NT-NCM-U-STR-AP	Subscription, Nutanix Cloud Manager (NCM) Starter Software License for EUC & L3 Production Software Support Service per User (Authorized Support Partners provides L1, L2 support)
NT-NCM-U-STR-AM	Subscription, Nutanix Cloud Manager (NCM) Starter Software License for EUC & L3 Mission Critical Software Support Service per User (Authorized Support Partners provides L1, L2 support)
NT-NCM-U-STR-FP	Subscription, Nutanix Cloud Manager (NCM) Starter Software License for EUC & FED Production Software Support Service per User

Table 46.7 Nutanix Cloud Manager EUC (NCM-U)

NT-NCM-U-STR-FM	Subscription, Nutanix Cloud Manager (NCM) Starter Software License for EUC & FED Mission Critical Software Support Service per User
PRO - PROFESSIONAL	
NT-NCM-U-PRO-PR	Subscription, Nutanix Cloud Manager (NCM) Professional Software License for EUC & Production Software Support Service per User
NT-NCM-U-PRO-MC	Subscription, Nutanix Cloud Manager (NCM) Professional Software License for EUC & Mission Critical Software Support Service per User
NT-NCM-U-PRO-AP	Subscription, Nutanix Cloud Manager (NCM) Professional Software License for EUC & L3 Production Software Support Service per User (Authorized Support Partners provides L1, L2 support)
NT-NCM-U-PRO-AM	Subscription, Nutanix Cloud Manager (NCM) Professional Software License for EUC & L3 Mission Critical Software Support Service per User (Authorized Support Partners provides L1, L2 support)
NT-NCM-U-PRO-FP	Subscription, Nutanix Cloud Manager (NCM) Professional Software License for EUC & FED Production Software Support Service per User
NT-NCM-U-PRO-FM	Subscription, Nutanix Cloud Manager (NCM) Professional Software License for EUC & FED Mission Critical Software Support Service per User
ULT - ULTIMATE	
NT-NCM-U-ULT-PR	Subscription, Nutanix Cloud Manager (NCM) Ultimate Software License for EUC & Production Software Support Service per User
NT-NCM-U-ULT-MC	Subscription, Nutanix Cloud Manager (NCM) Ultimate Software License for EUC & Mission Critical Software Support Service per User
NT-NCM-U-ULT-AP	Subscription, Nutanix Cloud Manager (NCM) Ultimate Software License for EUC & L3 Production Software Support Service per User (Authorized Support Partners provides L1, L2 support)
NT-NCM-U-ULT-AM	Subscription, Nutanix Cloud Manager (NCM) Ultimate Software License for EUC & L3 Mission Critical Software Support Service per User (Authorized Support Partners provides L1, L2 support)
NT-NCM-U-ULT-FP	Subscription, Nutanix Cloud Manager (NCM) Ultimate Software License for EUC & FED Production Software Support Service per User
NT-NCM-U-ULT-FM	Subscription, Nutanix Cloud Manager (NCM) Ultimate Software License for EUC & FED Mission Critical Software Support Service per User

[Table 11, Nutanix Software NCM STR 1 YEAR AND 3 YEAR & ABOVE SUBSCRIPTION with Professional Services PID Mapping](#)

[Table 12, Nutanix Software NCM PRO, NCM ULT, NCP \(NCM-PRO\), NCP \(NCM-ULT\) 1 YEAR AND 3 YEAR & ABOVE SUBSCRIPTION with Professional services](#)

(9) Nutanix Cloud Platform (NCP) - Compute**9.1 Nutanix Cloud Platform (NCP):**

Nutanix Cloud Infrastructure (NCI) and Nutanix Cloud Manager (NCM) can be purchased together in ‘better together’ Nutanix Cloud Platform (NCP) bundles:

Nutanix Cloud Platform (NCP)	Nutanix Cloud Infrastructure (NCI) Included	Nutanix Cloud Manager (NCM) Edition included
NCP Starter	NCI Professional	NCM Professional
NCP Professional	NCI Ultimate	NCM Professional
NCP Ultimate	NCI Ultimate	NCM Ultimate

**NOTE:**

- For more information on Nutanix Cloud Platform (NCP) bundles, please visit <https://www.nutanix.com/products/cloud-platform/software-options>
- For more information about Nutanix Cloud Platform software options, please visit <https://www.nutanix.com/products/cloud-platform/software-options>
- Please note that the Federal Support program is reserved for US Federal accounts. US Federal accounts must select Federal Support Tier for the order to be fulfilled. If a non-Federal account selects a Federal Support program, Nutanix may not fulfill the order. Additionally, Nutanix's Mixed Support Level Guidelines (<https://www.nutanix.com/support-services/product-support/support-policies-and-faqs?show=accordion-4>) requires all software assets within a cluster to have the same support level, else software support will default to the lower option.
- Sellers in the Federal space need to ensure they have the Federal Support SKU's on the quote and order. All orders without the Federal Support SKU's will be rejected by Nutanix. Refer this Knowledge base article for more info: <https://computekb.cisco.com/article/nutanix-support-for-federal-customers.html>
- Authorized Partners of Nutanix can offer Level 1 & Level 2 support for Nutanix Software. For the complete list visit <https://computekb.cisco.com/article/rules-for-ordering-nutanix-partner-support-skus.html>
- The total number of cores for NCI and NCM should be same as NCP
- The support tiers for NCI and NCM should be same as NCP

9.2 Nutanix Cloud Platform - Compute Only (NCP-C):

Nutanix Cloud Infrastructure (NCI-C) and Nutanix Cloud Manager (NCM) can be purchased together in ‘better together’ Nutanix Cloud Platform (NCP-C) bundles:

Nutanix Cloud Platform - Compute Only (NCP-C)	Nutanix Cloud Infrastructure - Compute Only (NCI-C) Included	Nutanix Cloud Manager (NCM) Edition included
NCP-C Starter	NCI-C Professional	NCM Professional
NCP-C Professional	NCI-C Ultimate	NCM Professional
NCP-C Ultimate	NCI-C Ultimate	NCM Ultimate



NOTE:

- For more information about Nutanix Cloud Infrastructure- Compute (NCI-C), please visit <https://www.nutanix.com/products/nutanix-cloud-infrastructure/compute>
- For more information about Nutanix Cloud Infrastructure capabilities and software options, please visit <https://www.nutanix.com/library/datasheets/nci-c>
- Please note that the Federal Support program is reserved for US Federal accounts. US Federal accounts must select Federal Support Tier for the order to be fulfilled. If a non-Federal account selects a Federal Support program, Nutanix may not fulfill the order. Additionally, Nutanix's Mixed Support Level Guidelines (<https://www.nutanix.com/support-services/product-support/support-policies-and-faqs?show=accordion-4>) requires all software assets within a cluster to have the same support level, else software support will default to the lower option.
- Sellers in the Federal space need to ensure they have the Federal Support SKU's on the quote and order. All orders without the Federal Support SKU's will be rejected by Nutanix. Refer this Knowledge base article for more info: <https://computekb.cisco.com/article/nutanix-support-for-federal-customers.html>
- The total number of cores for NCI-C and NCM should be same as NCP-C
- The support tiers for NCI-C and NCM should be same as NCP-C



WARNING:

- The NCP-C, NCI-C, and NCM license requires a minimum initial purchase of 2,000 cores.
- After this threshold is met, the customer is no longer subject to a minimum core requirement for subsequent orders, but quantity of NCP-C, NCI-C, and NCM license must match with total number for processor cores in hardware platforms.

Table 46.8 Nutanix Cloud Platform (NCP) / Nutanix Cloud Platform - Compute Only (NCP-C)

Product ID (PID)	PID Description
NCP STR - STARTER	
NT-NCP-STR-PR	Subscription, Nutanix Cloud Platform Starter Software License & Production Software Support Service for 1 CPU Core
NT-NCP-STR-MC	Subscription, Nutanix Cloud Platform Starter Software License & Mission Critical Software Support Service for 1 CPU Core
NT-NCP-STR-AP	Subscription, Nutanix Cloud Platform Starter Software License & L3 Production Software Support Service for 1 CPU Core (Authorized Support Partners provides L1, L2 support)
NT-NCP-STR-AM	Subscription, Nutanix Cloud Platform Starter Software License & L3 Mission Critical Software Support Service for 1 CPU Core (Authorized Support Partners provides L1, L2 support)
NT-NCP-STR-FP	Subscription, Nutanix Cloud Platform Starter Software License & Federal Production Software Support Service for 1 CPU Core
NT-NCP-STR-FM	Subscription, Nutanix Cloud Platform Starter Software License & Federal Mission Critical Software Support Service for 1 CPU Core
NCP-C STR - STARTER	
NT-NCP-C-STR-PR	Subscription, Nutanix Cloud Platform - Compute Only (NCP-C) Starter Software License & Production Software Support Service for 1 CPU Core

Table 46.8 Nutanix Cloud Platform (NCP) / Nutanix Cloud Platform - Compute Only (NCP-C)

NT-NCP-C-STR-MC	Subscription, Nutanix Cloud Platform - Compute Only (NCP-C) Starter Software License & Mission Critical Software Support Service for 1 CPU Core
NT-NCP-C-STR-FP	Subscription, Nutanix Cloud Platform - Compute Only (NCP-C) Starter Software License & Federal Production Software Support Service for 1 CPU Core
NT-NCP-C-STR-FM	Subscription, Nutanix Cloud Platform - Compute Only (NCP-C) Starter Software License & Federal Mission Critical Software Support Service for 1 CPU Core
NCP PRO- PROFESSIONAL	
NT-NCP-PRO-PR	Subscription, Nutanix Cloud Platform Pro Software License & Production Software Support Service for 1 CPU Core
NT-NCP-PRO-MC	Subscription, Nutanix Cloud Platform Pro Software License & Mission Critical Software Support Service for 1 CPU Core
NT-NCP-PRO-AP	Subscription, Nutanix Cloud Platform Pro Software License & L3 Production Software Support Service for 1 CPU Core (Authorized Support Partners provides L1, L2 support)
NT-NCP-PRO-AM	Subscription, Nutanix Cloud Platform Pro Software License & L3 Mission Critical Software Support Service for 1 CPU Core (Authorized Support Partners provides L1, L2 support)
NT-NCP-PRO-FP	Subscription, Nutanix Cloud Platform Pro Software License & Federal Production Software Support Service for 1 CPU Core
NT-NCP-PRO-FM	Subscription, Nutanix Cloud Platform Pro Software License & Federal Mission Critical Software Support Service for 1 CPU Core
NCP-C PRO- PROFESSIONAL	
NT-NCP-C-PRO-PR	Subscription, Nutanix Cloud Platform - Compute Only (NCP-C) Pro Software License & Production Software Support Service for 1 CPU Core
NT-NCP-C-PRO-MC	Subscription, Nutanix Cloud Platform - Compute Only (NCP-C) Pro Software License & Mission Critical Software Support Service for 1 CPU Core
NT-NCP-C-PRO-FP	Subscription, Nutanix Cloud Platform - Compute Only (NCP-C) Pro Software License & Federal Production Software Support Service for 1 CPU Core
NT-NCP-C-PRO-FM	Subscription, Nutanix Cloud Platform - Compute Only (NCP-C) Pro Software License & Federal Mission Critical Software Support Service for 1 CPU Core
NCP ULT-ULTIMATE	
NT-NCP-ULT-PR	Subscription, Nutanix Cloud Platform Ultimate Software License & Production Software Support Service for 1 CPU Core
NT-NCP-ULT-MC	Subscription, Nutanix Cloud Platform Ultimate Software License & Mission Critical Software Support Service for 1 CPU Core
NT-NCP-ULT-AP	Subscription, Nutanix Cloud Platform Ultimate Software License & L3 Production Software Support Service for 1 CPU Core (Authorized Support Partners provides L1, L2 support)

Table 46.8 Nutanix Cloud Platform (NCP) / Nutanix Cloud Platform - Compute Only (NCP-C)

NT-NCP-ULT-AM	Subscription, Nutanix Cloud Platform Ultimate Software License & L3 Mission Critical Software Support Service for 1 CPU Core (Authorized Support Partners provides L1, L2 support)
NT-NCP-ULT-FP	Subscription, Nutanix Cloud Platform Ultimate Software License & Federal Production Software Support Service for 1 CPU Core
NT-NCP-ULT-FM	Subscription, Nutanix Cloud Platform Ultimate Software License & Federal Mission Critical Software Support Service for 1 CPU Core
NCP-C ULT-ULTIMATE	
NT-NCP-C-ULT-PR	Subscription, Nutanix Cloud Platform - Compute Only (NCP-C) Ultimate Software License & Production Software Support Service for 1 CPU Core
NT-NCP-C-ULT-MC	Subscription, Nutanix Cloud Platform - Compute Only (NCP-C) Ultimate Software License & Mission Critical Software Support Service for 1 CPU Core
NT-NCP-C-ULT-FP	Subscription, Nutanix Cloud Platform - Compute Only (NCP-C) Ultimate Software License & Federal Production Software Support Service for 1 CPU Core
NT-NCP-C-ULT-FM	Subscription, Nutanix Cloud Platform - Compute Only (NCP-C) Ultimate Software License & Federal Mission Critical Software Support Service for 1 CPU Core
NCI PROFESSIONAL	
NT-NCP-NCI-PRO-PR	Subscription, (included in NCP) Nutanix Cloud Infrastructure (NCI) Pro Software License & Production Software Support Service for 1 CPU Core
NT-NCP-NCI-PRO-MC	Subscription, (included in NCP) Nutanix Cloud Infrastructure (NCI) Pro Software License & Mission Critical Software Support Service for 1 CPU Core
NT-NCP-NCI-PRO-AP	Subscription, (included in NCP) Nutanix Cloud Infrastructure (NCI) Pro Software License & L3 Production Software Support Service for 1 CPU Core (Authorized Support Partners provides L1, L2 support)
NT-NCP-NCI-PRO-AM	Subscription, (included in NCP) Nutanix Cloud Infrastructure (NCI) Pro Software License & L3 Mission Critical Software Support Service for 1 CPU Core (Authorized Support Partners provides L1, L2 support)
NT-NCP-NCI-PRO-FP	Subscription, (included in NCP) Nutanix Cloud Infrastructure (NCI) Pro Software License & Federal Production Software Support Service for 1 CPU Core
NT-NCP-NCI-PRO-FM	Subscription, (included in NCP) Nutanix Cloud Infrastructure (NCI) Pro Software License & Federal Mission Critical Software Support Service for 1 CPU Core
NCI-C PROFESSIONAL	
NT-NCP-NCIC-PO-PR	Subscription, (included in NCP-C) Nutanix Cloud Infrastructure - Compute Only (NCI-C) Pro Software License & Production Software Support Service for 1 CPU Core
NT-NCP-NCIC-PO-MC	Subscription, (included in NCP-C) Nutanix Cloud Infrastructure - Compute Only (NCI-C) Pro Software License & Mission Critical Software Support Service for 1 CPU Core
NT-NCP-NCIC-PO-FP	Subscription, (included in NCP-C) Nutanix Cloud Infrastructure - Compute Only (NCI-C) Pro Software License & Federal/Stateside Production Software Support Service for 1 CPU Core

Table 46.8 Nutanix Cloud Platform (NCP) / Nutanix Cloud Platform - Compute Only (NCP-C)

NT-NCP-NCIC-PO-FM	Subscription, (included in NCP-C) Nutanix Cloud Infrastructure - Compute Only (NCI-C) Pro Software License & Federal/Stateside Mission Critical Software Support Service for 1 CPU Core
NCI ULTIMATE	
NT-NCP-NCI-ULT-PR	Subscription, (included in NCP) Nutanix Cloud Infrastructure (NCI) Ultimate Software License & Production Software Support Service for 1 CPU Core
NT-NCP-NCI-ULT-MC	Subscription, (included in NCP) Nutanix Cloud Infrastructure (NCI) Ultimate Software License & Mission Critical Software Support Service for 1 CPU Core
NT-NCP-NCI-ULT-AP	Subscription, (included in NCP) Nutanix Cloud Infrastructure (NCI) Ultimate Software License & L3 Production Software Support Service for 1 CPU Core (Authorized Support Partners provides L1, L2 support)
NT-NCP-NCI-ULT-AM	Subscription, (included in NCP) Nutanix Cloud Infrastructure (NCI) Ultimate Software License & L3 Mission Critical Software Support Service for 1 CPU Core (Authorized Support Partners provides L1, L2 support)
NT-NCP-NCI-ULT-FP	Subscription, (included in NCP) Nutanix Cloud Infrastructure (NCI) Ultimate Software License & Federal Production Software Support Service for 1 CPU Core
NT-NCP-NCI-ULT-FM	Subscription, (included in NCP) Nutanix Cloud Infrastructure (NCI) Ultimate Software License & Federal Mission Critical Software Support Service for 1 CPU Core
NCI-C ULTIMATE	
NT-NCP-NCIC-UT-PR	Subscription, (included in NCP-C) Nutanix Cloud Infrastructure - Compute Only (NCI-C) Ultimate Software License & Production Software Support Service for 1 CPU Core
NT-NCP-NCIC-UT-MC	Subscription, (included in NCP-C) Nutanix Cloud Infrastructure - Compute Only (NCI-C) Ultimate Software License & Mission Critical Software Support Service for 1 CPU Core
NT-NCP-NCIC-UT-FP	Subscription, (included in NCP-C) Nutanix Cloud Infrastructure - Compute Only (NCI-C) Ultimate Software License & Federal/Stateside Production Software Support Service for 1 CPU Core
NT-NCP-NCIC-UT-FM	Subscription, (included in NCP-C) Nutanix Cloud Infrastructure - Compute Only (NCI-C) Ultimate Software License & Federal/Stateside Mission Critical Software Support Service for 1 CPU Core
NCM PROFESSIONAL	
NT-NCP-NCM-PRO-PR	Subscription, (included in NCP) Nutanix Cloud Manager (NCM) Pro Software License & Production Software Support Service for 1 CPU Core
NT-NCP-NCM-PRO-MC	Subscription, (included in NCP) Nutanix Cloud Manager (NCM) Pro Software License & Mission Critical Software Support Service for 1 CPU Core
NT-NCP-NCM-PRO-AP	Subscription, (included in NCP) Nutanix Cloud Manager (NCM) Pro Software License & L3 Production Software Support Service for 1 CPU Core (Authorized Support Partners provides L1, L2 support)

Table 46.8 Nutanix Cloud Platform (NCP) / Nutanix Cloud Platform - Compute Only (NCP-C)

NT-NCP-NCM-PRO-AM	Subscription, (included in NCP) Nutanix Cloud Manager (NCM) Pro Software License & L3 Mission Critical Software Support Service for 1 CPU Core (Authorized Support Partners provides L1, L2 support)
NT-NCP-NCM-PRO-FP	Subscription, (included in NCP) Nutanix Cloud Manager (NCM) Pro Software License & Federal Production Software Support Service for 1 CPU Core
NT-NCP-NCM-PRO-FM	Subscription, (included in NCP) Nutanix Cloud Manager (NCM) Pro Software License & Federal Mission Critical Software Support Service for 1 CPU Core
NCM ULTIMATE	
NT-NCP-NCM-ULT-PR	Subscription, (included in NCP) Nutanix Cloud Manager (NCM) Ultimate Software License & Production Software Support Service for 1 CPU Core
NT-NCP-NCM-ULT-MC	Subscription, (included in NCP) Nutanix Cloud Manager (NCM) Ultimate Software License & Mission Critical Software Support Service for 1 CPU Core
NT-NCP-NCM-ULT-AP	Subscription, (included in NCP) Nutanix Cloud Manager (NCM) Ultimate Software License & L3 Production Software Support Service for 1 CPU Core (Authorized Support Partners provides L1, L2 support)
NT-NCP-NCM-ULT-AM	Subscription, (included in NCP) Nutanix Cloud Manager (NCM) Ultimate Software License & L3 Mission Critical Software Support Service for 1 CPU Core (Authorized Support Partners provides L1, L2 support)
NT-NCP-NCM-ULT-FP	Subscription, (included in NCP) Nutanix Cloud Manager (NCM) Ultimate Software License & Federal Production Software Support Service for 1 CPU Core
NT-NCP-NCM-ULT-FM	Subscription, (included in NCP) Nutanix Cloud Manager (NCM) Ultimate Software License & Federal Mission Critical Software Support Service for 1 CPU Core

[Table 11, Nutanix Software NCM STR 1 YEAR AND 3 YEAR & ABOVE SUBSCRIPTION with Professional Services PID Mapping](#)

[Table 12, Nutanix Software NCM PRO, NCM ULT, NCP \(NCM-PRO\), NCP \(NCM-ULT\) 1 YEAR AND 3 YEAR & ABOVE SUBSCRIPTION with Professional services](#)

(10) Nutanix Unified Storage™ (NUS):

Nutanix Unified Storage™ (NUS) is a software-defined data services platform that consolidates the management and protection of siloed block, file, and object storage into a single, unified platform. NUS harnesses the power of rich data services such as analytics, ransomware protection, lifecycle management, and data protection. These features enable organizations to seamlessly adapt to the ever-changing requirements of modern applications, allowing them to shift their management focus from data storage to data management. Leveraging the Nutanix Cloud Platform™ (NCP) software, NUS is specifically built to meet the needs of modern applications deployed across core, cloud, and edge infrastructure. With its capacity for seamless scaling, high performance, and integrated data security, NUS provides a comprehensive solution for organizations.

Includes:

- **Nutanix Files Storage:** simple and secure software-defined scale-out file storage solution to store, manage, and scale files data (NFS and SMB)
- **Nutanix Objects Storage:** distributed scale-out S3-compatible object storage for both archive and high-performance analytics
- **Nutanix Volumes Storage:** high-performance low-latency block storage
- **Nutanix Data Lens:** available as an add-on for data analytics, anomaly behavior detection and ransomware protection
- **Nutanix AOS:** scale-out storage technology that makes hyperconverged infrastructure (HCI) possible.
- **Nutanix AHV:** lightweight cloud hypervisor built into Nutanix platform and offers enterprise-grade storage capabilities and built-in Kubernetes support.
- **App VMs running on storage:** NUS dedicated clusters are entitled to 1 app/user VM per node in the cluster. NCI clusters don't have any limit on the number of app/user VMs on the cluster.

**NOTE:**

- For more information Nutanix Unified Storage™ (NUS), please visit <https://www.nutanix.com/products/cloud-platform/software-options#nus>
- For more information about Nutanix Cloud Platform software options, please visit <https://www.nutanix.com/products/cloud-platform/software-options>
- Please note that the Federal Support program is reserved for US Federal accounts. US Federal accounts must select Federal Support Tier for the order to be fulfilled. If a non-Federal account selects a Federal Support program, Nutanix may not fulfill the order. Additionally, Nutanix's Mixed Support Level Guidelines(<https://www.nutanix.com/support-services/product-support/support-policies-and-faqs?show=accordion-4>) requires all software assets within a cluster to have the same support level, else software support will default to the lower option.
- Sellers in the Federal space need to ensure they have the Federal Support SKU's on the quote and order. All orders without the Federal Support SKU's will be rejected by Nutanix. Refer this Knowledge base article for more info: <https://computekb.cisco.com/article/nutanix-support-for-federal-customers.html>
- Authorized Partners of Nutanix can offer Level 1 & Level 2 support for Nutanix Software. For the complete list visit <https://computekb.cisco.com/article/rules-for-ordering-nutanix-partner-support-skus.html>

Table 46.9 Nutanix Unified Storage™ (NUS)

Product ID (PID)	PID Description
PRO - PROFESSIONAL	
NT-NUS-PRO-PR	Nutanix Unified Storage Professional Software License & Production Software Support for 1 TiB
NT-NUS-PRO-MC	Nutanix Unified Storage Professional Software License & Mission Critical Software Support for 1 TiB
NT-NUS-PRO-AP	Nutanix Unified Storage Professional Software License & L3 Production Software Support for 1 TiB (Authorized Support Partners provides L1, L2 support)
NT-NUS-PRO-AM	Nutanix Unified Storage Professional Software License & L3 Mission Critical Software Support for 1 TiB (Authorized Support Partners provides L1, L2 support)
NT-NUS-PRO-FP	Nutanix Unified Storage Professional Software License & Federal Production Software Support for 1 TiB
NT-NUS-PRO-FM	Nutanix Unified Storage Professional Software License & Federal Mission Critical Software Support for 1 TiB
ADVANCED REPLICATION	
NT-A-NUS-ADR-PR	Nutanix Unified Storage Advanced Replication add-on Software License & Production Software Support 1 TiB
NT-A-NUS-ADR-MC	Nutanix Unified Storage Advanced Replication add-on Software License & Mission Critical Software Support 1 TiB
NT-A-NUS-ADR-AP	Nutanix Unified Storage Advanced Replication add-on Software License & L3 Production Software Support 1 TiB (Authorized Support Partners provides L1, L2 support)
NT-A-NUS-ADR-AM	Nutanix Unified Storage Advanced Replication add-on Software License & L3 Mission Critical Software Support 1 TiB (Authorized Support Partners provides L1, L2 support)
NT-A-NUS-ADR-FP	Nutanix Unified Storage Advanced Replication add-on Software License & Federal Production Software Support 1 TiB
NT-A-NUS-ADR-FM	Nutanix Unified Storage Advanced Replication add-on Software License & Federal Mission Critical Support 1 TiB
SECURITY	
NT-A-NUS-SEC-PR	Nutanix Unified Storage Security add-on Software License & Production Software Support 1 TiB
NT-A-NUS-SEC-MC	Nutanix Unified Storage Security add-on Software License & Mission Critical Software Support 1 TiB
NT-A-NUS-SEC-AP	Nutanix Unified Storage Security add-on Software License & L3 Production Software Support 1 TiB (Authorized Support Partners provides L1, L2 support)
NT-A-NUS-SEC-AM	Nutanix Unified Storage Security add-on Software License & L3 Mission Critical Software Support 1 TiB (Authorized Support Partners provides L1, L2 support)

Table 46.9 Nutanix Unified Storage™ (NUS)

NT-A-NUS-SEC-FP	Nutanix Unified Storage Security add-on Software License & Federal Production Software Support 1 TiB
NT-A-NUS-SEC-FM	Nutanix Unified Storage Security add-on Software License & Federal Mission Critical Software Support 1 TiB

Nutanix Unified Storage Allowed Capacity

Nutanix Unified Storage	Nutanix Unified Storage Support Tier	Storage Capacity Allowed (TiB)
Pro (Professional) License Tier (NT-NUS-PRO-*) Advanced Replication (NT-A-NUS-ADR-*) Security (NT-A-NUS-SEC-*)	Production Mission Critical Federal Production Federal Mission Critical	1-50
		75
		100
		150
		200
		250
		300
		350
		400
		450
		500
		550
		600
		700
		800
		900
		1000
		1200
		1400
		1600
1800		
2000		
2200		
2400		
2600		
2800		
3000		
4000		
5000		
6000		
7000		
8000		
9000		
10000		

(11) Nutanix Data Lens (NDL):

Nutanix Data Lens is a SaaS-based cyberstorage solution offering ransomware resilience and global data visibility for unstructured data on Nutanix Unified Storage (NUS). This cloud-based data analytics service proactively assesses and mitigates data security risks by identifying anomalous activity, auditing user behavior, and adhering to compliance requirements. while enabling efficient data lifecycle management.

Nutanix Data Lens is currently offered through a “Freemium” licensing model, consisting of two tiers:

1. “Basic Tier” comprises limited capabilities that are available perpetually free for NUS Pro customers
2. “Premium Tier” comprises extended capabilities, including Ransomware security, and is licensed on a per TiB basis for all NUS customers.

Self-service onboarding for current Nutanix Unified Storage Customers through [My Nutanix Portal](#).



NOTE:

- For more information Nutanix Data Lens (NDL), please visit <https://www.nutanix.com/products/cloud-platform/software-options#nus>
- For more information about Nutanix Cloud Platform software options, please visit <https://www.nutanix.com/products/cloud-platform/software-options>
- Please note that the Federal Support program is reserved for US Federal accounts. US Federal accounts must select Federal Support Tier for the order to be fulfilled. If a non-Federal account selects a Federal Support program, Nutanix may not fulfill the order. Additionally, Nutanix's Mixed Support Level Guidelines(<https://www.nutanix.com/support-services/product-support/support-policies-and-faqs?show=accordion-4>) requires all software assets within a cluster to have the same support level, else software support will default to the lower option.
- Sellers in the Federal space need to ensure they have the Federal Support SKU's on the quote and order. All orders without the Federal Support SKU's will be rejected by Nutanix. Refer this Knowledge base article for more info: <https://compute.kb.cisco.com/article/nutanix-support-for-federal-customers.html>
- Authorized Partners of Nutanix can offer Level 1 & Level 2 support for Nutanix Software. For the complete list visit <https://compute.kb.cisco.com/article/rules-for-ordering-nutanix-partner-support-skus.html>

Table 46.10 Nutanix Data Lens (NDL)

Product ID (PID)	PID Description
NDL	
NT-NDL-PR	Nutanix Data Lens as a hosted service including Production Support for 1 TiB
NT-NDL-FP	Nutanix Data Lens as a hosted service incl Fed Production Support for 1 TiB

Nutanix Data Lens Allowed Capacity

Nutanix Data Lens	Nutanix Data Lens Support Tier	Storage Capacity Allowed (TiB)
NDL	Production Federal Production	1-50
		75
		100
		150
		200
		250
		300
		350
		400
		450
		500
		550
		600
		700
		800
		900
		1000
		1200
		1400
		1600
1800		
2000		
2200		
2400		
2600		
2800		
3000		

(12) Nutanix Kubernetes Platform (NKP):

Nutanix Kubernetes Platform (NKP) combines the Nutanix Kubernetes Engine (NKE) features with their acquisition of the D2iQ product family to bring a consolidated runtime, orchestration, and management environment to our cloud native customers. The SKUs have two ordering options:

1. NKP Full Stack (Starter, Pro & Ultimate) - This includes the Complete Nutanix stack, bundling NCI, NDK and NKP. This is core based licensing (for all cores in cluster) and feature/capability inclusions depend on the whether it's starter, Pro or Ultimate. This is suitable for customers who will have Nutanix clusters exclusively for container workloads.
2. NKP (Pro & Ultimate) - NKP Starter is Bundled with NCI Pro and Ultimate . This adds NKP to existing NCI deployments (for AHV, ESXi, AWS EC2 & Azure). The Kubernetes and associated NKP functionality is provided by running master and worker node VMs on NCI. This is licensed on vCPU for the workload VMs that will be deployed. This is suitable for customers who already have Nutanix NCI clusters.



NOTE:

- For more information about Nutanix Kubernetes Platform (NKP), please visit <https://www.nutanix.com/products/cloud-platform/software-options#nkp>
- For more information about Nutanix Cloud Platform software options, please visit <https://www.nutanix.com/products/cloud-platform/software-options>
- Please note that the Federal Support program is reserved for US Federal accounts. US Federal accounts must select Federal Support Tier for the order to be fulfilled. If a non-Federal account selects a Federal Support program, Nutanix may not fulfill the order. Additionally, Nutanix's Mixed Support Level Guidelines(<https://www.nutanix.com/support-services/product-support/support-policies-and-faqs?show=accordion-4>) requires all software assets within a cluster to have the same support level, else software support will default to the lower option.
- Sellers in the Federal space need to ensure they have the Federal Support SKU's on the quote and order. All orders without the Federal Support SKU's will be rejected by Nutanix.Refer this Knowledge base article for more info: <https://computekb.cisco.com/article/nutanix-support-for-federal-customers.html>
- Authorized Partners of Nutanix can offer Level 1 & Level 2 support for Nutanix Software. For the complete list visit <https://computekb.cisco.com/article/rules-for-ordering-nutanix-partner-support-skus.html>
- The quantity of NKP Full Stack (FS) license must match with total number for processor cores in hardware platforms.

Table 46.11 Nutanix Kubernetes Platform (NKP)

Product ID (PID)	PID Description
FS STR - FULL STACK STARTER	
NT-NKP-FS-STR-PR	Subscription, Nutanix Kubernetes Platform (NKP) Full Stack Starter Software License and Production Software Support Service for 1 CPU Core
NT-NKP-FS-STR-MC	Subscription, Nutanix Kubernetes Platform (NKP) Full Stack Starter Software License and Mission Critical Software Support Service for 1 CPU Core
NT-NKP-FS-STR-AP	Subscription, Nutanix Kubernetes Platform (NKP) Full Stack Starter Software License and L3 Production Software Support Service for 1 CPU Core (Authorized Support Partners provides L1, L2 support)
NT-NKP-FS-STR-AM	Subscription, Nutanix Kubernetes Platform (NKP) Full Stack Starter Software License and L3 Mission Critical Software Support Service for 1 CPU Core (Authorized Support Partners provides L1, L2 support)

Table 46.11 Nutanix Kubernetes Platform (NKP)

NT-NKP-FS-STR-FP	Subscription, Nutanix Kubernetes Platform (NKP) Full Stack Starter Software License and Federal Production Software Support Service for 1 CPU Core
NT-NKP-FS-STR-FM	Subscription, Nutanix Kubernetes Platform (NKP) Full Stack Starter Software License and Federal Mission Critical Software Support Service for 1 CPU Core
FS PRO - FULL STACK PROFESSIONAL	
NT-NKP-FS-PRO-PR	Subscription, Nutanix Kubernetes Platform (NKP) Full Stack Pro Software License and Production Software Support Service for 1 CPU Core
NT-NKP-FS-PRO-MC	Subscription, Nutanix Kubernetes Platform (NKP) Full Stack Pro Software License and Mission Critical Software Support Service for 1 CPU Core
NT-NKP-FS-PRO-AP	Subscription, Nutanix Kubernetes Platform (NKP) Full Stack Pro Software License and L3 Production Software Support Service for 1 CPU Core (Authorized Support Partners provides L1, L2 support)
NT-NKP-FS-PRO-AM	Subscription, Nutanix Kubernetes Platform (NKP) Full Stack Pro Software License and L3 Mission Critical Software Support Service for 1 CPU Core (Authorized Support Partners provides L1, L2 support)
NT-NKP-FS-PRO-FP	Subscription, Nutanix Kubernetes Platform (NKP) Full Stack Pro Software License and Federal Production Software Support Service for 1 CPU Core
NT-NKP-FS-PRO-FM	Subscription, Nutanix Kubernetes Platform (NKP) Full Stack Pro Software License and Federal Mission Critical Software Support Service for 1 CPU Core
FS ULT - FULL STACK ULTIMATE	
NT-NKP-FS-ULT-PR	Subscription, Nutanix Kubernetes Platform (NKP) Full Stack Ultimate Software License and Production Software Support Service for 1 CPU Core
NT-NKP-FS-ULT-MC	Subscription, Nutanix Kubernetes Platform (NKP) Full Stack Ultimate Software License and Mission Critical Software Support Service for 1 CPU Core
NT-NKP-FS-ULT-AP	Subscription, Nutanix Kubernetes Platform (NKP) Full Stack Ultimate Software License and L3 Production Software Support Service for 1 CPU Core (Authorized Support Partners provides L1, L2 support)
NT-NKP-FS-ULT-AM	Subscription, Nutanix Kubernetes Platform (NKP) Full Stack Ultimate Software License and L3 Mission Critical Software Support Service for 1 CPU Core (Authorized Support Partners provides L1, L2 support)
NT-NKP-FS-ULT-FP	Subscription, Nutanix Kubernetes Platform (NKP) Full Stack Ultimate Software License and Federal Production Software Support Service for 1 CPU Core
NT-NKP-FS-ULT-FM	Subscription, Nutanix Kubernetes Platform (NKP) Full Stack Ultimate Software License and Federal Mission Critical Software Support Service for 1 CPU Core
PRO - PROFESSIONAL	
NT-NKP-PRO-PR	Subscription, Nutanix Kubernetes Platform (NKP) Pro Software License for NCI or non-Nutanix infrastructure and Production Software Support Service for 1 vCPU (or 1 CPU Core on bare metal)

Table 46.11 Nutanix Kubernetes Platform (NKP)

NT-NKP-PRO-MC	Subscription, Nutanix Kubernetes Platform (NKP) Pro Software License for NCI or non-Nutanix infrastructure and Mission Critical Software Support Service for 1 vCPU (or 1 CPU Core on bare metal)
NT-NKP-PRO-AP	Subscription, Nutanix Kubernetes Platform (NKP) Pro Software License for NCI or non-Nutanix infrastructure and L3 Production Software Support Service for 1 vCPU (or 1 CPU Core on bare metal) (Authorized Support Partners provides L1, L2 support)
NT-NKP-PRO-AM	Subscription, Nutanix Kubernetes Platform (NKP) Pro Software License for NCI or non-Nutanix infrastructure and L3 Mission Critical Software Support Service for 1 vCPU (or 1 CPU Core on bare metal) (Authorized Support Partners provides L1, L2 support)
NT-NKP-PRO-FP	Subscription, Nutanix Kubernetes Platform (NKP) Pro Software License for NCI or non-Nutanix infrastructure and Federal Production Software Support Service for 1 vCPU (or 1 CPU Core on bare metal)
NT-NKP-PRO-FM	Subscription, Nutanix Kubernetes Platform (NKP) Pro Software License for NCI or non-Nutanix infrastructure and Federal Mission Critical Software Support Service for 1 vCPU (or 1 CPU Core on bare metal)
ULT - ULTIMATE	
NT-NKP-ULT-PR	Subscription, Nutanix Kubernetes Platform (NKP) Ultimate Software License for NCI or non-Nutanix infrastructure and Production Software Support Service for 1 vCPU (or 1 CPU Core on bare metal)
NT-NKP-ULT-MC	Subscription, Nutanix Kubernetes Platform (NKP) Ultimate Software License for NCI or non-Nutanix infrastructure and Mission Critical Software Support Service for 1 vCPU (or 1 CPU Core on bare metal)
NT-NKP-ULT-AP	Subscription, Nutanix Kubernetes Platform (NKP) Ultimate Software License for NCI or non-Nutanix infrastructure and L3 Production Software Support Service for 1 vCPU (or 1 CPU Core on bare metal) (Authorized Support Partners provides L1, L2 support)
NT-NKP-ULT-AM	Subscription, Nutanix Kubernetes Platform (NKP) Ultimate Software License for NCI or non-Nutanix infrastructure and L3 Mission Critical Software Support Service for 1 vCPU (or 1 CPU Core on bare metal) (Authorized Support Partners provides L1, L2 support)
NT-NKP-ULT-FP	Subscription, Nutanix Kubernetes Platform (NKP) Ultimate Software License for NCI or non-Nutanix infrastructure and Federal Production Software Support Service for 1 vCPU (or 1 CPU Core on bare metal)
NT-NKP-ULT-FM	Subscription, Nutanix Kubernetes Platform (NKP) Ultimate Software License for NCI or non-Nutanix infrastructure and Federal Mission Critical Software Support Service for 1 vCPU (or 1 CPU Core on bare metal)

[Table 10.0, Nutanix Software NCI, NCI-C, NCI-D, NCP \(NCI-PRO\), NCP \(NCI-ULT\), NCP-C \(NCIC-PRO\), NCP-C \(NCIC-ULT\) 1 YEAR SUBSCRIPTION with professional services PID Mapping](#)

[Table 10.1, Nutanix Software NCI, NCI-C, NCI-D, NCP \(NCI-PRO\), NCP \(NCI-ULT\), NCP-C \(NCIC-PRO\), NCP-C \(NCIC-ULT\) 3 YEAR SUBSCRIPTION with professional services PID Mapping](#)

(13) Nutanix Enterprise AI (NAI):

The Nutanix Enterprise AI (NAI) solution offers endpoint APIs for the leading LLM providers, including NVIDIA NIM and Hugging Face, making it easy for organizations to deploy a wide range of GenAI models securely, on-premises or in the public cloud. NAI includes a simple UI, role-based access controls (RBAC), and the capability for untethered operations (dark site or air-gapped deployments) to simplify the operation, monitoring, and adaptation of AI models (LLMs) with enterprise resiliency, Day 2 operations, and compliance.

Nutanix AI Platform has 2 ordering requirements & both need to be ordered:

- CPU (measured in vCPU/Core): This quantity should correspond to the number of physical cores for bare-metal deployments or the vCPUs for virtual deployments.
- GB (memory on GPU): Note that this refers to the total GPU memory, not the physical memory of the nodes in the cluster, and it depends on the GPU selected.



NOTE:

- For more information about Nutanix Enterprise AI (NAI), please visit <https://www.nutanix.com/library/datasheets/nutanix-enterprise-ai>
- For more information about Nutanix Cloud Platform software options, please visit <https://www.nutanix.com/products/cloud-platform/software-options>
- Please note that the Federal Support program is reserved for US Federal accounts. US Federal accounts must select Federal Support Tier for the order to be fulfilled. If a non-Federal account selects a Federal Support program, Nutanix may not fulfill the order. Additionally, Nutanix's Mixed Support Level Guidelines(<https://www.nutanix.com/support-services/product-support/support-policies-and-faqs?show=accordion-4>) requires all software assets within a cluster to have the same support level, else software support will default to the lower option.
- Sellers in the Federal space need to ensure they have the Federal Support SKU's on the quote and order. All orders without the Federal Support SKU's will be rejected by Nutanix. Refer this Knowledge base article for more info: <https://compute.kb.cisco.com/article/nutanix-support-for-federal-customers.html>

Table 46.12 Nutanix Enterprise AI (NAI)

Product ID (PID)	PID Description
NAI NKP PROFESSIONAL	
NT-B-AI-G-PO-PR	Subscription, Nutanix Enterprise AI (NAI) GPT-in-a-Box Pro Software License & Production Software Support Service
NT-B-AI-G-PO-MC	Subscription, Nutanix Enterprise AI (NAI) GPT-in-a-Box Pro Software License & Mission Critical Software Support Service
NT-B-AI-G-PO-FP	Subscription, Nutanix Enterprise AI (NAI) GPT-in-a-Box Pro Software License & Federal/Stateside Production Software Support Service
NT-B-AI-G-PO-FM	Subscription, Nutanix Enterprise AI (NAI) GPT-in-a-Box Pro Software License & Federal/Stateside Mission Critical Software Support Service
NAI GPT ULTIMATE	
NT-B-AI-G-UT-PR	Subscription, Nutanix Enterprise AI (NAI) GPT-in-a-Box Ultimate Software License & Production Software Support Service

Table 46.12 Nutanix Enterprise AI (NAI)

NT-B-AI-G-UT-MC	Subscription, Nutanix Enterprise AI (NAI) GPT-in-a-Box Ultimate Software License & Mission Critical Software Support Service
NT-B-AI-G-UT-FP	Subscription, Nutanix Enterprise AI (NAI) GPT-in-a-Box Ultimate Software License & Federal/Stateside Production Software Support Service
NT-B-AI-G-UT-FM	Subscription, Nutanix Enterprise AI (NAI) GPT-in-a-Box Ultimate Software License & Federal/Stateside Mission Critical Software Support Service
NAI NKP PROFESSIONAL	
NT-B-AI-NKP-PO-PR	Subscription, Nutanix Enterprise AI (NAI) Pro and Nutanix Kubernetes Platform (NKP) Pro Software License & Production Software Support Service
NT-B-AI-NKP-PO-MC	Subscription, Nutanix Enterprise AI (NAI) Pro and Nutanix Kubernetes Platform (NKP) Pro Software License & Mission Critical Software Support Service
NT-B-AI-NKP-PO-FP	Subscription, Nutanix Enterprise AI (NAI) Pro and Nutanix Kubernetes Platform (NKP) Pro Software License & Federal/Stateside Production Software Support Service
NT-B-AI-NKP-PO-FM	Subscription, Nutanix Enterprise AI (NAI) Pro and Nutanix Kubernetes Platform (NKP) Pro Software License & Federal/Stateside Mission Critical Software Support Service
NAI NKP ULTIMATE	
NT-B-AI-NKP-UT-PR	Subscription, Nutanix Enterprise AI (NAI) Pro and Nutanix Kubernetes Platform (NKP) Ultimate Software License & Production Software Support Service
NT-B-AI-NKP-UT-MC	Subscription, Nutanix Enterprise AI (NAI) Pro and Nutanix Kubernetes Platform (NKP) Ultimate Software License & Mission Critical Software Support Service
NT-B-AI-NKP-UT-FP	Subscription, Nutanix Enterprise AI (NAI) Pro and Nutanix Kubernetes Platform (NKP) Ultimate Software License & Federal/Stateside Production Software Support Service
NT-B-AI-NKP-UT-FM	Subscription, Nutanix Enterprise AI (NAI) Pro and Nutanix Kubernetes Platform (NKP) Ultimate Software License & Federal/Stateside Mission Critical Software Support Service
NAI PROFESSIONAL GB	
NT-B-AI-PO-GB-PR	Subscription, Nutanix Enterprise AI (NAI) Pro Software License & Production Software Support Service for 1 GB of GPU RAM
NT-B-AI-PO-GB-MC	Subscription, Nutanix Enterprise AI (NAI) Pro Software License & Mission Critical Software Support Service for 1 GB of GPU RAM
NT-B-AI-PO-GB-FP	Subscription, Nutanix Enterprise AI (NAI) Pro Software License & Federal/Stateside Production Software Support Service for 1 GB of GPU RAM
NT-B-AI-PO-GB-FM	Subscription, Nutanix Enterprise AI (NAI) Pro Software License & Federal/Stateside Mission Critical Software Support Service for 1 GB of GPU RAM
NAI PROFESSIONAL vCPU	

Table 46.12 Nutanix Enterprise AI (NAI)

NT-B-AI-PO-C-PR	Subscription, Nutanix Enterprise AI (NAI) Pro Software License & Production Software Support Service for 1 vCPU
NT-B-AI-PO-C-MC	Subscription, Nutanix Enterprise AI (NAI) Pro Software License & Mission Critical Software Support Service for 1 vCPU
NT-B-AI-PO-C-FP	Subscription, Nutanix Enterprise AI (NAI) Pro Software License & Federal/Stateside Production Software Support Service for 1 vCPU
NT-B-AI-PO-C-FM	Subscription, Nutanix Enterprise AI (NAI) Pro Software License & Federal/Stateside Mission Critical Software Support Service for 1 vCPU
NKP FS PROFESSIONAL	
NT-B-NKP-FS-PO-PR	Subscription, Nutanix Kubernetes Platform (NKP) Full Stack Pro Software License and Production Software Support Service for 1 physical CPU Core
NT-B-NKP-FS-PO-MC	Subscription, Nutanix Kubernetes Platform (NKP) Full Stack Pro Software License and Mission Critical Software Support Service for 1 physical CPU Core
NT-B-NKP-FS-PO-FP	Subscription, Nutanix Kubernetes Platform (NKP) Full Stack Pro Software License and Federal/Stateside/Stateside Production Software Support Service for 1 physical CPU Core
NT-B-NKP-FS-PO-FM	Subscription, Nutanix Kubernetes Platform (NKP) Full Stack Pro Software License and Federal/Stateside/Stateside Mission Critical Software Support Service for 1 physical CPU Core
NKP FS ULTIMATE	
NT-B-NKP-FS-UT-PR	Subscription, Nutanix Kubernetes Platform (NKP) Full Stack Ultimate Software License and Production Software Support Service for 1 physical CPU Core
NT-B-NKP-FS-UT-MC	Subscription, Nutanix Kubernetes Platform (NKP) Full Stack Ultimate Software License and Mission Critical Software Support Service for 1 physical CPU Core
NT-B-NKP-FS-UT-FP	Subscription, Nutanix Kubernetes Platform (NKP) Full Stack Ultimate Software License and Federal/Stateside/Stateside Production Software Support Service for 1 physical CPU Core
NT-B-NKP-FS-UT-FM	Subscription, Nutanix Kubernetes Platform (NKP) Full Stack Ultimate Software License and Federal/Stateside/Stateside Mission Critical Software Support Service for 1 physical CPU Core
NKP PROFESSIONAL	
NT-B-NKP-PO-PR	Subscription, Nutanix Kubernetes Platform (NKP) Pro Software License & Production Software Support Service for 1 vCPU
NT-B-NKP-PO-MC	Subscription, Nutanix Kubernetes Platform (NKP) Pro Software License & Mission Critical Software Support Service for 1 vCPU
NT-B-NKP-PO-FP	Subscription, Nutanix Kubernetes Platform (NKP) Pro Software License & Federal/Stateside Production Software Support Service for 1 vCPU
NT-B-NKP-PO-FM	Subscription, Nutanix Kubernetes Platform (NKP) Pro Software License & Federal/Stateside Mission Critical Software Support Service for 1 vCPU

Table 46.12 Nutanix Enterprise AI (NAI)

NKP ULTIMATE	
NT-B-NKP-UT-PR	Subscription, Nutanix Kubernetes Platform (NKP) Ultimate Software License & Production Software Support Service for 1 vCPU
NT-B-NKP-UT-MC	Subscription, Nutanix Kubernetes Platform (NKP) Ultimate Software License & Mission Critical Software Support Service for 1 vCPU
NT-B-NKP-UT-FP	Subscription, Nutanix Kubernetes Platform (NKP) Ultimate Software License & Federal/Stateside Production Software Support Service for 1 vCPU
NT-B-NKP-UT-FM	Subscription, Nutanix Kubernetes Platform (NKP) Ultimate Software License & Federal/Stateside Mission Critical Software Support Service for 1 vCPU
NAI PROFESSIONAL GB Standalone	
NT-AI-PRO-GB-PR	Subscription, Nutanix Enterprise AI (NAI) Pro Software License and Production Software Support Service for 1 GB of GPU RAM
NT-AI-PRO-GB-MC	Subscription, Nutanix Enterprise AI (NAI) Pro Software License and Mission Critical Software Support Service for 1 GB of GPU RAM
NT-AI-PRO-GB-FP	Subscription, Nutanix Enterprise AI (NAI) Pro Software License and Federal/Stateside Production Software Support Service for 1 GB of GPU RAM
NT-AI-PRO-GB-FM	Subscription, Nutanix Enterprise AI (NAI) Pro Software License and Federal/Stateside Mission Critical Software Support Service for 1 GB of GPU RAM
NAI PROFESSIONAL vCPU Standalone	
NT-AI-PRO-C-PR	Subscription, Nutanix Enterprise AI (NAI) Pro Software License and Production Software Support Service for 1 vCPU
NT-AI-PRO-C-MC	Subscription, Nutanix Enterprise AI (NAI) Pro Software License and Mission Critical Software Support Service for 1 vCPU
NT-AI-PRO-C-FP	Subscription, Nutanix Enterprise AI (NAI) Pro Software License and Federal/Stateside Production Software Support Service for 1 vCPU
NT-AI-PRO-C-FM	Subscription, Nutanix Enterprise AI (NAI) Pro Software License and Federal/Stateside Mission Critical Software Support Service for 1 vCPU

Nutanix software limited orderability

(1) End User Computing Hyperspace (EUCH):

Epic software is suite of software that is primarily used in the Healthcare industry. The Epic software can be deployed on Nutanix HCI. Solution & details can be found here

(<https://portal.nutanix.com/page/documents/solutions/details?targetId=BP-2055-Epic-on-Nutanix:BP-2055-Epic-on-Nutanix>)

NTX-SW-LO is an ATO that has specific SKUs for Epic customers using Hyperspace or Hyperdrive. Hyperspace EUC SKU's begin with (NT-EUC-H-) and there are a total of 18 SKUs.

Refer to the link in the notes section for the process details

These SKUs can only be bought by customers who satisfy the following 2 conditions:

- End-user is Epic software customer (Epic headquarters is in Verona, WI)
- End-user must include the client presentation of Epic Hyperspace or Hyperdrive (component of the Epic suite of software). SKUs are for this component.



NOTE:

- KB article on process for EUC SKUs: <https://compute.kb.cisco.com/article/process-flow-when-ordering-hyperspace-euc-skus.html>
- Please note that the Federal Support program is reserved for US Federal accounts. US Federal accounts must select Federal Support Tier for the order to be fulfilled. If a non-Federal account selects a Federal Support program, Nutanix may not fulfill the order. Additionally, Nutanix's Mixed Support Level Guidelines(<https://www.nutanix.com/support-services/product-support/support-policies-and-faqs?show=accordion-4>) requires all software assets within a cluster to have the same support level, else software support will default to the lower option.
- Sellers in the Federal space need to ensure they have the Federal Support SKU's on the quote and order. All orders without the Federal Support SKU's will be rejected by Nutanix. Refer this Knowledge base article for more info: <https://compute.kb.cisco.com/article/nutanix-support-for-federal-customers.html>
- Authorized Partners of Nutanix can offer Level 1 & Level 2 support for Nutanix Software. for the complete list visit <https://compute.kb.cisco.com/article/rules-for-ordering-nutanix-partner-support-skus.html>

Table 47 End User Computing Hyperspace (EUCH)

Product ID (PID)	PID Description
STR - STARTER	
NT-EUC-H-STR-PR	Subscription, End User Computing (EUC) Starter Software License for Epic Hyperspace & Production Software Support Service for 1 User
NT-EUC-H-STR-MC	Subscription, End User Computing (EUC) Starter Software License for Epic Hyperspace & Mission Critical Software Support Service for 1 User
NT-EUC-H-STR-AP	Subscription, End User Computing (EUC) Starter Software License for Epic Hyperspace & L3 Production Software Support Service for 1 User (Authorized Support Partners provides L1, L2 support)

Table 47 End User Computing Hyperspace (EUCH)

NT-EUC-H-STR-AM	Subscription, End User Computing (EUC) Starter Software License for Epic Hyperspace & L3 Mission Critical Software Support Service for 1 User (Authorized Support Partners provides L1, L2 support)
NT-EUC-H-STR-FP	Subscription, End User Computing (EUC) Starter Software License for Epic Hyperspace & Federal Production Software Support Service for 1 User
NT-EUC-H-STR-FM	Subscription, End User Computing (EUC) Starter Software License for Epic Hyperspace & Federal Mission Critical Software Support Service for 1 User
PRO- PROFESSIONAL	
NT-EUC-H-PRO-PR	Subscription, End User Computing (EUC) Professional Software License for Epic Hyperspace & Production Software Support Service for 1 User
NT-EUC-H-PRO-MC	Subscription, End User Computing (EUC) Professional Software License for Epic Hyperspace & Mission Critical Software Support Service for 1 User
NT-EUC-H-PRO-AP	Subscription, End User Computing (EUC) Professional Software License for Epic Hyperspace & L3 Production Software Support Service for 1 User (Authorized Support Partners provides L1, L2 support)
NT-EUC-H-PRO-AM	Subscription, End User Computing (EUC) Professional Software License for Epic Hyperspace & L3 Mission Critical Software Support Service for 1 User (Authorized Support Partners provides L1, L2 support)
NT-EUC-H-PRO-FP	Subscription, End User Computing (EUC) Professional Software License for Epic Hyperspace & Federal Production Software Support Service for 1 User
NT-EUC-H-PRO-FM	Subscription, End User Computing (EUC) Professional Software License for Epic Hyperspace & Federal Mission Critical Software Support Service for 1 User
ULT - ULTIMATE	
NT-EUC-H-ULT-PR	Subscription, End User Computing (EUC) Ultimate Software License for Epic Hyperspace & Production Software Support Service for 1 User
NT-EUC-H-ULT-MC	Subscription, End User Computing (EUC) Ultimate Software License for Epic Hyperspace & Mission Critical Software Support Service for 1 User
NT-EUC-H-ULT-AP	Subscription, End User Computing (EUC) Ultimate Software License for Epic Hyperspace & L3 Production Software Support Service for 1 User (Authorized Support Partners provides L1, L2 support)
NT-EUC-H-ULT-AM	Subscription, End User Computing (EUC) Ultimate Software License for Epic Hyperspace & L3 Mission Critical Software Support Service for 1 User (Authorized Support Partners provides L1, L2 support)
NT-EUC-H-ULT-FP	Subscription, End User Computing (EUC) Ultimate Software License for Epic Hyperspace & Federal Production Software Support Service for 1 User
NT-EUC-H-ULT-FM	Subscription, End User Computing (EUC) Ultimate Software License for Epic Hyperspace & Federal Mission Critical Software Support Service for 1 User

Professional Services PIDs and Description

(1) NCI Design Workshop:

The Nutanix Cloud Infrastructure (NCI) Design Workshop offers IT teams in-depth and practical guidance to create a comprehensive design for on-premises NCI clusters. It covers various aspects such as scalability, functionality, integration, and operational needs. This workshop is beneficial during the Design stage of a Hybrid Multicloud journey, especially for complex solutions that involve third-party applications and automation.



NOTE:

- For more information on NCI Design workshop, please visit - <https://www.nutanix.com/content/dam/nutanix/resources/service-descriptions/sd-nci-design-workshop.pdf>
- For more information on Cisco version of Nutanix Professional services, please visit - <https://www.nutanix.com/content/dam/nutanix/resources/service-descriptions/professional-services-service-descriptions-cisco.pdf>

Table 48.0 NCI Design Workshop

Nutanix Software Product/Edition	Cisco Product PID	Cisco PID Description PS Offer Name - PS Offer Edition - PS Offer Option - Base/Variable	Nutanix PS Edition	Nutanix PS Option
NCI Starter	NT-W-DS-STR	NCI Design Workshop - Starter - Workshop Only	Starter	Workshop Only
NCI Starter	NT-W-DS-STR-SD	NCI Design Workshop - Starter - Standard Doc	Starter	Standard Documentation
NCI Pro	NT-W-DS-PRO	NCI Design Workshop - Pro - Workshop Only	Pro	Workshop Only
NCI Pro	NT-W-DS-PRO-SD	NCI Design Workshop - Pro - Enhanced Doc	Pro	Enhanced Documentation
NCI Ultimate	NT-W-DS-ULT-SD	NCI Design Workshop - Ultimate - Standard Doc	Ultimate	Standard Documentation

[Table 10.0, Nutanix Software NCI, NCI-C, NCI-D, NCP \(NCI-PRO\), NCP \(NCI-ULT\), NCP-C \(NCIC-PRO\), NCP-C \(NCIC-ULT\) 1 YEAR SUBSCRIPTION with professional services PID Mapping](#)

[Table 10.1, Nutanix Software NCI, NCI-C, NCI-D, NCP \(NCI-PRO\), NCP \(NCI-ULT\), NCP-C \(NCIC-PRO\), NCP-C \(NCIC-ULT\) 3 YEAR SUBSCRIPTION with professional services PID Mapping](#)

(2) NCI Cluster Deployment or Expansion:

The Nutanix Cloud Infrastructure (NCI) Cluster Deployment or Expansion accelerates the deployment of hybrid cloud infrastructure to support any application and workload. Highly skilled consultants can deploy on-premises NCI clusters or dedicated Nutanix Unified Storage (NUS) clusters. The clusters can be deployed to various supported hardware platforms, regardless of whether it's Nutanix, our OEM partners, or other platform providers. This offer is ideal for the Deploy stage of the Hybrid Multicloud journey.



NOTE:

- For more information on NCI Cluster deployment and expansion workshop, please visit - <https://www.nutanix.com/content/dam/nutanix/resources/service-descriptions/sd-nci-cluster-deployment-or-expansion.pdf>
- For more information on Cisco version of Nutanix Professional services, please visit - <https://www.nutanix.com/content/dam/nutanix/resources/service-descriptions/professional-services-service-descriptions-cisco.pdf>

Table 48.1 NCI Cluster Deployment or Expansion

Nutanix Software Product/Edition	Cisco Product PID	Cisco PID Description PS Offer Name - PS Offer Edition - PS Offer Option - Base/Variable	Nutanix PS Edition	Nutanix PS Option
NCI Starter	NT-S-DP-STR-AVB	NCI Cluster Deployment or Expansion - Starter - AHV - Base	Starter	AHV Nodes
NCI Starter	NT-S-DP-STR-AVV	NCI Cluster Deployment or Expansion - Starter - AHV - Var	Starter	AHV Nodes
NCI Starter	NT-S-DP-STR-EXB	NCI Cluster Deployment or Expansion - Starter - ESX - Base	Starter	ESX Nodes
NCI Starter	NT-S-DP-STR-EXV	NCI Cluster Deployment or Expansion - Starter - ESX - Var	Starter	ESX Nodes
NCI Pro	NT-S-DP-PRO-AV-SB	NCI Cluster Deployment or Expansion - Starter - AHV - Base	Starter	AHV Nodes
NCI Pro	NT-S-DP-PRO-AV-SV	NCI Cluster Deployment or Expansion - Starter - AHV - Var	Starter	AHV Nodes
NCI Pro	NT-S-DP-PRO-EX-SV	NCI Cluster Deployment or Expansion - Starter - ESX - Var	Starter	ESX Nodes
NCI Pro	NT-S-DP-PRO-EX-SB	NCI Cluster Deployment or Expansion - Starter - ESX - Base	Starter	ESX Nodes
NCI Pro	NT-S-DP-PRO-AV-PB	NCI Cluster Deployment or Expansion - Pro - AHV - Base	Pro	AHV Nodes
NCI Pro	NT-S-DP-PRO-AV-PV	NCI Cluster Deployment or Expansion - Pro - AHV - Var	Pro	AHV Nodes
NCI Pro	NT-S-DP-PRO-EX-PB	NCI Cluster Deployment or Expansion - Pro - ESX - Base	Pro	ESX Nodes
NCI Pro	NT-S-DP-PRO-EX-PV	NCI Cluster Deployment or Expansion - Pro - ESX - Var	Pro	ESX Nodes

Table 48.1 NCI Cluster Deployment or Expansion

NCI Ultimate	NT-S-DP-ULT-AV-SB	NCI Cluster Deployment or Expansion - Starter - AHV - Base	Starter	AHV Nodes
NCI Ultimate	NT-S-DP-ULT-AV-SV	NCI Cluster Deployment or Expansion - Starter - AHV - Var	Starter	AHV Nodes
NCI Ultimate	NT-S-DP-ULT-EX-SB	NCI Cluster Deployment or Expansion - Starter - ESX - Base	Starter	ESX Nodes
NCI Ultimate	NT-S-DP-ULT-EX-SV	NCI Cluster Deployment or Expansion - Starter - ESX - Var	Starter	ESX Nodes
NCI Ultimate	NT-S-DP-ULT-AV-PB	NCI Cluster Deployment or Expansion - Pro - AHV - Base	Pro	AHV Nodes
NCI Ultimate	NT-S-DP-ULT-AV-PV	NCI Cluster Deployment or Expansion - Pro - AHV - Var	Pro	AHV Nodes
NCI Ultimate	NT-S-DP-ULT-EX-PB	NCI Cluster Deployment or Expansion - Pro - ESX - Base	Pro	ESX Nodes
NCI Ultimate	NT-S-DP-ULT-EX-PV	NCI Cluster Deployment or Expansion - Pro - ESX - Var	Pro	ESX Nodes
NCI Ultimate	NT-S-DP-ULT-AV-UB	NCI Cluster Deployment or Expansion- Ultimate - AHV - Base	Ultimate	AHV Nodes
NCI Ultimate	NT-S-DP-ULT-AV-UV	NCI Cluster Deployment or Expansion- Ultimate - AHV - Var	Ultimate	AHV Nodes
NCI Ultimate	NT-S-DP-ULT-EX-UB	NCI Cluster Deployment or Expansion- Ultimate - ESX - Base	Ultimate	ESX Nodes
NCI Ultimate	NT-S-DP-ULT-EX-UV	NCI Cluster Deployment or Expansion- Ultimate - ESX - Var	Ultimate	ESX Nodes

Table 10.0, Nutanix Software NCI, NCI-C, NCI-D, NCP (NCI-PRO), NCP (NCI-ULT), NCP-C (NCIC-PRO), NCP-C (NCIC-ULT) 1 YEAR SUBSCRIPTION with professional services PID Mapping

Table 10.1, Nutanix Software NCI, NCI-C, NCI-D, NCP (NCI-PRO), NCP (NCI-ULT), NCP-C (NCIC-PRO), NCP-C (NCIC-ULT) 3 YEAR SUBSCRIPTION with professional services PID Mapping

(3) Virtual Machine Migration Workshop:

The Virtual Machine Migration Workshop offers IT teams in-depth and practical guidance to create a comprehensive virtual machine migration plan for migrating virtual machines to Nutanix Cloud Infrastructure (NCI). This offer is ideal for the Migrate state of a Hybrid Multicloud journey.



NOTE:

- For more information on Virtual Machine Migration Workshop, please visit - <https://www.nutanix.com/content/dam/nutanix/resources/service-descriptions/sd-virtual-machine-migration-workshop.pdf>
- For more information on Cisco version of Nutanix Professional services, please visit - <https://www.nutanix.com/content/dam/nutanix/resources/service-descriptions/professional-services-service-descriptions-cisco.pdf>

Table 48.2 Virtual Machine Migration Workshop

Nutanix Software Product/Edition	Cisco Product PID	Cisco PID Description PS Offer Name - PS Offer Edition - PS Offer Option - Base/Variable	Nutanix PS Edition	Nutanix PS Option
NCI Starter	NT-W-MG-STR-SD	Virtual Machine Migration Workshop - Standard Doc	None	Standard Documentation
NCI Pro	NT-W-MG-PRO-SD	Virtual Machine Migration Workshop - Standard Doc	None	Standard Documentation
NCI Ultimate	NT-W-MG-ULT-SD	Virtual Machine Migration Workshop - Standard Doc	None	Standard Documentation

[Table 10.0, Nutanix Software NCI, NCI-C, NCI-D, NCP \(NCI-PRO\), NCP \(NCI-ULT\), NCP-C \(NCIC-PRO\), NCP-C \(NCIC-ULT\) 1 YEAR SUBSCRIPTION with professional services PID Mapping](#)

[Table 10.1, Nutanix Software NCI, NCI-C, NCI-D, NCP \(NCI-PRO\), NCP \(NCI-ULT\), NCP-C \(NCIC-PRO\), NCP-C \(NCIC-ULT\) 3 YEAR SUBSCRIPTION with professional services PID Mapping](#)

(4) Virtual Machine Migration:

Virtual machine (VM) Migration offers IT teams strong domain expertise to migrate virtual machines to Nutanix Cloud Infrastructure (NCI) per the customer-provided migration plan. This offer is ideal for the Migrate stage of a Hybrid Multicloud journey



NOTE:

- For more information on Virtual Machine Migration, please visit - <https://www.nutanix.com/content/dam/nutanix/resources/service-descriptions/sd-virtual-machine-migration.pdf>
- For more information on Cisco version of Nutanix Professional services, please visit - <https://www.nutanix.com/content/dam/nutanix/resources/service-descriptions/professional-services-service-descriptions-cisco.pdf>

Table 48.3 Virtual Machine Migration

Nutanix Software Product/Edition	Cisco Product PID	Cisco PID Description PS Offer Name - PS Offer Edition - PS Offer Option - Base/Variable	Nutanix PS Edition	Nutanix PS Option
NCI Starter	NT-S-MG-VM-STR-AVB	Virtual Machine Migration - From AHV - Base	None	From AHV
NCI Starter	NT-S-MG-VM-STR-AVV	Virtual Machine Migration - From AHV - Var	None	From AHV
NCI Starter	NT-S-MG-VM-STR-EXB	Virtual Machine Migration - From ESX - Base	None	From ESX
NCI Starter	NT-S-MG-VM-STR-EXV	Virtual Machine Migration - From ESX - Var	None	From ESX
NCI Pro	NT-S-MG-VM-PRO-AVB	Virtual Machine Migration - From AHV - Base	None	From AHV
NCI Pro	NT-S-MG-VM-PRO-AVV	Virtual Machine Migration - From AHV - Var	None	From AHV
NCI Pro	NT-S-MG-VM-PRO-EXB	Virtual Machine Migration - From ESX - Base	None	From ESX
NCI Pro	NT-S-MG-VM-PRO-EXV	Virtual Machine Migration - From ESX - Var	None	From ESX
NCI Ultimate	NT-S-MG-VM-ULT-AVB	Virtual Machine Migration - From AHV - Base	None	From AHV
NCI Ultimate	NT-S-MG-VM-ULT-AVV	Virtual Machine Migration - From AHV - Var	None	From AHV
NCI Ultimate	NT-S-MG-VM-ULT-EXB	Virtual Machine Migration - From ESX - Base	None	From ESX
NCI Ultimate	NT-S-MG-VM-ULT-EXV	Virtual Machine Migration - From ESX - Var	None	From ESX

[Table 10.0, Nutanix Software NCI, NCI-C, NCI-D, NCP \(NCI-PRO\), NCP \(NCI-ULT\), NCP-C \(NCIC-PRO\), NCP-C \(NCIC-ULT\) 1 YEAR SUBSCRIPTION with professional services PID Mapping](#)

[Table 10.1, Nutanix Software NCI, NCI-C, NCI-D, NCP \(NCI-PRO\), NCP \(NCI-ULT\), NCP-C \(NCIC-PRO\), NCP-C \(NCIC-ULT\) 3 YEAR SUBSCRIPTION with professional services PID Mapping](#)

(5) NCM Self-Service Design Workshop:

The Nutanix Cloud Management (NCM) Self-Service Design Workshop offers automation teams in-depth and practical guidance to create a comprehensive design for application-centric infrastructure automation and lifecycle management (LCM) platforms to streamline and accelerate application development. This workshop is beneficial during the Design stage of a Hybrid Multicloud journey.



NOTE:

- For more information on Nutanix Cloud Management (NCM) Self-Service Design Workshop, please visit - <https://www.nutanix.com/content/dam/nutanix/resources/datasheets/professional-services-service-descriptions.pdf>
- For more information on Cisco version of Nutanix Professional services, please visit - <https://www.nutanix.com/content/dam/nutanix/resources/service-descriptions/professional-services-service-descriptions-cisco.pdf>

Table 48.4 NCM Self-Service Design Workshop

Nutanix Software Product/Edition	Cisco Product PID	Cisco PID Description PS Offer Name - PS Offer Edition - PS Offer Option - Base/Variable	Nutanix PS Edition	Nutanix PS Option
NCM Pro	NT-W-SSD-PRO-SD-S	NCM Self-Service Design Workshop - Starter - Standard Doc	Starter	Standard Documentation
NCM Pro	NT-W-SSD-PRO-SD-P	NCM Self-Service Design Workshop - Pro - Standard Doc	Pro	Standard Documentation
NCM Ultimate	NT-W-SSD-ULT-SD-S	NCM Self-Service Design Workshop - Starter - Standard Doc	Starter	Standard Documentation
NCM Ultimate	NT-W-SSD-ULT-SD-P	NCM Self-Service Design Workshop - Pro - Standard Doc	Pro	Standard Documentation

Table 11, Nutanix Software NCM STR 1 YEAR AND 3 YEAR & ABOVE SUBSCRIPTION with Professional Services PID Mapping

Table 12, Nutanix Software NCM PRO, NCM ULT, NCP (NCM-PRO), NCP (NCM-ULT) 1 YEAR AND 3 YEAR & ABOVE SUBSCRIPTION with Professional services

(6) NCM Intelligent Operations Design:

The Nutanix Cloud Management (NCM) Intelligent Operations Design Workshop offers IT teams in-depth and practical guidance to create a comprehensive design for Nutanix X-Play automation and playbooks to automate common tasks.

**NOTE:**

- For more information on NCM Intelligent Operations Design Workshop, please visit - <https://www.nutanix.com/content/dam/nutanix/resources/service-descriptions/sd-ncm-intelligent-operations-design.pdf>
- For more information on Cisco version of Nutanix Professional services, please visit - <https://www.nutanix.com/content/dam/nutanix/resources/service-descriptions/professional-services-service-descriptions-cisco.pdf>

Table 48.5 NCM Intelligent Operations Design Workshop

Nutanix Software Product/Edition	Cisco Product PID	Cisco PID Description PS Offer Name - PS Offer Edition - PS Offer Option - Base/Variable	Nutanix PS Edition	Nutanix PS Option
NCM Starter	NT-W-OD-STR-SD	NCM Intelligent Operations Design Workshop - Standard Doc	None	Standard Documentation
NCM Pro	NT-W-OD-PRO-SD	NCM Intelligent Operations Design Workshop - Standard Doc	None	Standard Documentation
NCM Ultimate	NT-W-OD-ULT-SD	NCM Intelligent Operations Design Workshop - Standard Doc	None	Standard Documentation

Table 11, Nutanix Software NCM STR 1 YEAR AND 3 YEAR & ABOVE SUBSCRIPTION with Professional Services PID Mapping

Table 12, Nutanix Software NCM PRO, NCM ULT, NCP (NCM-PRO), NCP (NCM-ULT) 1 YEAR AND 3 YEAR & ABOVE SUBSCRIPTION with Professional services

(7) NCM Intelligent Operations Deployment:

The Nutanix Cloud Management (NCM) Intelligent Operations Deployment accelerates the deployment of Nutanix X-Play automation and playbooks to automate common tasks with in-depth expertise from highly skilled consultants.



NOTE:

- For more information on NCM Intelligent Operations Deployment Workshop, please visit - <https://www.nutanix.com/content/dam/nutanix/resources/service-descriptions/sd-ncm-intelligent-operations-deployment.pdf>
- For more information on Cisco version of Nutanix Professional services, please visit - <https://www.nutanix.com/content/dam/nutanix/resources/service-descriptions/professional-services-service-descriptions-cisco.pdf>

Table 48.6 NCM Intelligent Operations Deployment

Nutanix Software Product/Edition	Cisco Product PID	Cisco PID Description PS Offer Name - PS Offer Edition - PS Offer Option - Base/Variable	Nutanix PS Edition	Nutanix PS Option
NCM Starter	NT-S-OP-STR	NCM Intelligent Operations Deployment	None	None
NCM Pro	NT-S-OP-PRO	NCM Intelligent Operations Deployment	None	None
NCM Ultimate	NT-S-OP-ULT	NCM Intelligent Operations Deployment	None	None

Table 11, Nutanix Software NCM STR 1 YEAR AND 3 YEAR & ABOVE SUBSCRIPTION with Professional Services PID Mapping

Table 12, Nutanix Software NCM PRO, NCM ULT, NCP (NCM-PRO), NCP (NCM-ULT) 1 YEAR AND 3 YEAR & ABOVE SUBSCRIPTION with Professional services

(8) FastTrack for NCM Self-Service:

FastTrack for Nutanix Cloud Manager (NCM) Self-Service accelerates the deployment and configuration of NCM Self-Service, which streamlines how teams manage, deploy, and scale applications across hybrid clouds with self-service, automation, and centralized role-based governance, with expertise from highly skilled automation consultants.

**NOTE:**

- For more information on Fast Track for NCM Self-Service, please visit - <https://www.nutanix.com/content/dam/nutanix/resources/service-descriptions/sd-ncm-intelligent-operations-deployment.pdf>
- For more information on Cisco version of Nutanix Professional services, please visit - <https://www.nutanix.com/content/dam/nutanix/resources/service-descriptions/professional-services-service-descriptions-cisco.pdf>

Table 48.7 FastTrack for NCM Self-Service

Nutanix Software Product/Edition	Cisco Product PID	Cisco PID Description PS Offer Name - PS Offer Edition - PS Offer Option - Base/Variable	Nutanix PS Edition	Nutanix PS Option
NCM Pro	NT-F-PRO-SS	FastTrack for NCM Self-Service	None	None
NCM Ultimate	NT-F-ULT-SS	FastTrack for NCM Self-Service	None	None

Table 11, Nutanix Software NCM STR 1 YEAR AND 3 YEAR & ABOVE SUBSCRIPTION with Professional Services PID Mapping

Table 12, Nutanix Software NCM PRO, NCM ULT, NCP (NCM-PRO), NCP (NCM-ULT) 1 YEAR AND 3 YEAR & ABOVE SUBSCRIPTION with Professional services

(9) FastTrack for NCM Cost Governance:

The FastTrack for Nutanix Cloud Management (NCM) Cost Governance accelerates the onboarding of deep visibility and rich analytics detailing cloud consumption patterns along with one-click cost optimization across cloud environments with expertise from highly skilled consultants. IT teams can choose to onboard on-premises Nutanix Cloud Infrastructure (NCI) clusters or a public cloud platform.



NOTE:

- For more information on Fast Track for NCM Cost Governance, please visit - <https://www.nutanix.com/content/dam/nutanix/resources/service-descriptions/sd-ncm-intelligent-operations-deployment.pdf>
- For more information on Cisco version of Nutanix Professional services, please visit - <https://www.nutanix.com/content/dam/nutanix/resources/service-descriptions/professional-services-service-descriptions-cisco.pdf>

Table 48.8 FastTrack for NCM Cost Governance

Nutanix Software Product/Edition	Cisco Product PID	Cisco PID Description PS Offer Name - PS Offer Edition - PS Offer Option - Base/Variable	Nutanix PS Edition	Nutanix PS Option
NCM Pro	NT-F-PRO-CG	FastTrack for NCM Cost Governance	None	None
NCM Ultimate	NT-F-ULT-CG	FastTrack for NCM Cost Governance	None	None

Table 11, Nutanix Software NCM STR 1 YEAR AND 3 YEAR & ABOVE SUBSCRIPTION with Professional Services PID Mapping

Table 12, Nutanix Software NCM PRO, NCM ULT, NCP (NCM-PRO), NCP (NCM-ULT) 1 YEAR AND 3 YEAR & ABOVE SUBSCRIPTION with Professional services

(10) Nutanix AI GPT Bundles Services:

The Nutanix Enterprise AI (NAI) generative pretrained transformer (GPT) Bundle offers a streamlined, fullstack solution for orchestrating AI/ML workloads with Nutanix Enterprise AI GPT-in-a-Box. Purpose-built for

AI/ML teams, this offering simplifies the deployment and management of large language models (LLMs) in a secure, scalable environment.

NAI GPT-in-a-Box integrates the following core components:

- Nutanix Enterprise AI (NAI) - Optimized for AI/ML model orchestration and performance
- Nutanix Cloud Infrastructure (NCI) - Delivers a resilient, high-performance foundation
- Nutanix Unified Storage (NUS) - Supports high-throughput, scalable data storage
- Nutanix Kubernetes Platform (NKP) - Enables containerized deployment and lifecycle management of LLMs

Covering the key stages of the AI journey—Plan, Design, Deploy, and Optimize—the NAI GPT Bundle empowers teams to reduce complexity, accelerate time-to-value, and confidently build a future-ready AI infrastructure.



NOTE:

- For more information on Nutanix AI GPT Bundles Services, please visit - <https://www.nutanix.com/content/dam/nutanix/en/resources/service-descriptions/sd-nai-gpt-deployment.pdf>
- For more information on Cisco version of Nutanix Professional services, please visit - <https://www.nutanix.com/content/dam/nutanix/resources/service-descriptions/professional-services-service-descriptions-cisco.pdf>

Table 48.9 Nutanix AI GPT Bundles Services

Nutanix Software Product/Edition	Cisco Product PID	Cisco PID Description PS Offer Name - PS Offer Edition - PS Offer Option - Base/Variable	Nutanix PS Edition	Nutanix PS Option
NAI GPT PRO	NT-B-AIGPT-PRO-SDB	NAI GPT Pro Bundle - Std Docs - Base (QTY = Use Case)	None	None
NAI GPT PRO	NT-B-AIGPT-PRO-SDV	NAI GPT Pro Bundle - Std Docs - Variable (QTY= Node)	None	None
NAI GPT ULT	NT-B-AIGPT-ULT-SDB	NAI GPT Ult Bundle - Std Docs - Base (QTY = Use Case)	None	None
NAI GPT ULT	NT-B-AIGPT-ULT-SDV	NAI GPT Ult Bundle - Std Docs - Variable (QTY = Node)	None	None

(11) Nutanix AI Planning Workshop:

The Nutanix Artificial Intelligence / Machine Learning (AI/ML) Planning provides IT teams with comprehensive, hands-on guidance for planning and implementing infrastructure for AI/ML workloads using the Generative Pre-trained Transformer (GPT) model on Nutanix Cloud Infrastructure (NCI) clusters and various cloud providers. This engagement is beneficial during the Planning stage of the AI/ML solution journey.



NOTE:

- For more information on Nutanix AI Planning Workshop, please visit - <https://www.nutanix.com/content/dam/nutanix/en/resources/service-descriptions/sd-ai-ml-planning.pdf>
- For more information on Cisco version of Nutanix Professional services, please visit - <https://www.nutanix.com/content/dam/nutanix/resources/service-descriptions/profession-al-services-service-descriptions-cisco.pdf>

Table 48.10 Nutanix AI Planning Workshop

Nutanix Software Product/Edition	Cisco Product PID	Cisco PID Description PS Offer Name - PS Offer Edition - PS Offer Option - Base/Variable	Nutanix PS Edition	Nutanix PS Option
	NT-P-AI	AI/ML Planning Workshop (Qty=Use Case)	None	None

(12) Nutanix AI Design Workshop:

The Artificial Intelligence/Machine Learning (AI/ML) Design provides a focused design service to ensure readiness for deploying AI workloads based on a Generative Pre-trained Transformer (GPT). Designed as a strategic step in your AI/ML journey, this engagement helps organizations plan and validate architecture for inference use cases, ensuring interoperability, security, and scalability for future growth.

This engagement focuses on:

- Capturing solution requirements, constraints, assumptions, and key decisions
- Designing AI workload architecture on NCI, including GPU sizing and configuration
- Validating integration with identity services (AD/LDAP), DNS, and data governance policies
- Planning for security measures such as encryption, SSL certificates, and syslog
- Aligning design with Nutanix recommended practices for performance and operational readiness

This service is especially valuable for organizations deploying AI/ML workloads on Cisco UCS platforms, ensuring optimized design for inference use cases and future scalability.



NOTE:

- For more information on Nutanix AI Design Workshop, please visit - <https://www.nutanix.com/content/dam/nutanix/en/resources/service-descriptions/sd-ai-ml-design.pdf>
- For more information on Cisco version of Nutanix Professional services, please visit - <https://www.nutanix.com/content/dam/nutanix/resources/service-descriptions/profession-al-services-service-descriptions-cisco.pdf>

Table 48.11 Nutanix AI Design Workshop

Nutanix Software Product/Edition	Cisco Product PID	Cisco PID Description PS Offer Name - PS Offer Edition - PS Offer Option - Base/Variable	Nutanix PS Edition	Nutanix PS Option
	NT-W-AID	AI/ML Design Workshop (Qty=Use Case)	None	None

(13) Nutanix AI Strategy and Optimization Workshop:

The artificial intelligence/ machine learning (AI/ML) Strategy and Optimization Series is designed to help organizations harness the full potential of their AI initiatives. Delivered as a monthly engagement, this service ensures that businesses remain at the forefront of AI/ML innovation by aligning their AI/ML solutions running on Nutanix with evolving market demands and technological advancements. With expert guidance from seasoned Nutanix consultants, organizations gain the insights needed to optimize performance, uncover new opportunities, and scale their AI/ML initiatives strategically. This design session is beneficial during the Optimize stage of the AI/ML solution journey..



NOTE:

- For more information on Nutanix AI Strategy and Optimization Workshop, please visit - <https://www.nutanix.com/content/dam/nutanix/en/resources/service-descriptions/sd-ai-ml-strategy-and-optimization-series.pdf>
- For more information on Cisco version of Nutanix Professional services, please visit - <https://www.nutanix.com/content/dam/nutanix/resources/service-descriptions/professional-services-service-descriptions-cisco.pdf>

Table 48.12 Nutanix AI Strategy and Optimization Workshop

Nutanix Software Product/Edition	Cisco Product PID	Cisco PID Description PS Offer Name - PS Offer Edition - PS Offer Option - Base/Variable	Nutanix PS Edition	Nutanix PS Option
	NT-W-AIO	AI/ML Strategy and Optimization Workshop (Qty=Series)	None	None

(14) Nutanix AI Deployment:

The Nutanix Enterprise Artificial Intelligence (NAI) Deployment service accelerates the deployment of a comprehensive inference endpoint management product designed to streamline and optimize your AI model orchestration experience. NAI allows you to select, deploy, and manage large language models (LLMs) on a Kubernetes cluster. This offer is ideal for the Deploy stage of the Nutanix Enterprise AI solution journey.

**NOTE:**

- For more information on Nutanix AI Deployment, please visit - <https://www.nutanix.com/content/dam/nutanix/resources/service-descriptions/sd-ncm-intelligent-operations-deployment.pdf>
- For more information on Cisco version of Nutanix Professional services, please visit - <https://www.nutanix.com/content/dam/nutanix/resources/service-descriptions/professional-services-service-descriptions-cisco.pdf>

Table 48.13 Nutanix AI Deployment

Nutanix Software Product/Edition	Cisco Product PID	Cisco PID Description PS Offer Name - PS Offer Edition - PS Offer Option - Base/Variable	Nutanix PS Edition	Nutanix PS Option
	NT-S-AID	NAI Deployment (Qty=Cluster)	None	None

(15) NKP Design Workshop:

The NKP (Nutanix Kubernetes Platform) Design Workshop is a professional services offering that provides IT teams with in-depth and practical guidance to create a comprehensive design for on-premises Nutanix Cloud Infrastructure (NCI) clusters. This workshop covers various aspects such as scalability, functionality, integration, and operational needs. It is particularly beneficial during the Design stage of a Hybrid Multicloud journey, especially for complex solutions involving third-party applications and automation.



NOTE:

- For more information on NKP Design Workshop, please visit - <https://www.nutanix.com/viewer/content/dam/nutanix/en/resources/service-descriptions/sd-nkp-design-workshop.pdf>
- For more information on Cisco version of Nutanix Professional services, please visit - <https://www.nutanix.com/content/dam/nutanix/resources/service-descriptions/professional-services-service-descriptions-cisco.pdf>

Table 48.14 NKP Design Workshop

Nutanix Software Product/Edition	Cisco Product PID	Cisco PID Description PS Offer Name - PS Offer Edition - PS Offer Option - Base/Variable	Nutanix PS Edition	Nutanix PS Option
NKP Starter	NT-W-KD-STR-SD	NKP Design Workshop - Essential - Std Doc (Qty=Provider)	None	Standard Documentation
NKP Pro	NT-W-KD-PRO-SD	NKP Design Workshop - Advantage - Std Doc (Qty=Provider)	None	Standard Documentation
NKP Ultimate	NT-W-KD-ULT-SD	NKP Design Workshop - Enterprise - Std Doc (Qty=Pair of Sites)	None	Standard Documentation

[Table 11, Nutanix Software NCM STR 1 YEAR AND 3 YEAR & ABOVE SUBSCRIPTION with Professional Services PID Mapping](#)

[Table 12, Nutanix Software NCM PRO, NCM ULT, NCP \(NCM-PRO\), NCP \(NCM-ULT\) 1 YEAR AND 3 YEAR & ABOVE SUBSCRIPTION with Professional services](#)

(16) NKP Deployment:

The Nutanix Kubernetes Platform (NKP) Deployment on Cisco Compute Hyperconverged infrastructure involves several key steps and components to automate and simplify Kubernetes cluster management.

**NOTE:**

- For more information on NCM Intelligent NKP Deployment, please visit - <https://www.nutanix.com/viewer/content/dam/nutanix/en/resources/service-descriptions/sd-nkp-deployment.pdf>
- For more information on Cisco version of Nutanix Professional services, please visit - <https://www.nutanix.com/content/dam/nutanix/resources/service-descriptions/professional-services-service-descriptions-cisco.pdf>

Table 48.15 NKP Deployment

Nutanix Software Product/Edition	Cisco Product PID	Cisco PID Description PS Offer Name - PS Offer Edition - PS Offer Option - Base/Variable	Nutanix PS Edition	Nutanix PS Option
NKP Starter	NT-S-KD-STR	NKP Deployment - Essential (Qty=Cluster)	None	None
NKP Pro	NT-S-KD-PRO	NKP Deployment - Advantage (Qty=Provider)	None	None
NKP Ultimate	NT-S-KD-ULT	NKP Deployment - Enterprise (Qty=Provider)	None	None

Table 11, Nutanix Software NCM STR 1 YEAR AND 3 YEAR & ABOVE SUBSCRIPTION with Professional Services PID Mapping

Table 12, Nutanix Software NCM PRO, NCM ULT, NCP (NCM-PRO), NCP (NCM-ULT) 1 YEAR AND 3 YEAR & ABOVE SUBSCRIPTION with Professional services

(17) Nutanix Services Flexible Credits:

Nutanix Flex Credits provide a credits program for purchasing Nutanix Professional Services. This program provides the flexibility to utilize your budget cycles to pre-buy credits for future use of Nutanix Professional Services and training via redemption of credits. Within the terms of validity of your Flex Credits, use the credits for the portfolio of Nutanix Professional Services including Consulting, Resident, Technical Account Manager, and Education.



NOTE:

- For more information on Nutanix Services Flexible Credits, please visit - <https://www.nutanix.com/content/dam/nutanix/resources/service-descriptions/sd-ncm-intelligent-operations-deployment.pdf>
- For more information on Cisco version of Nutanix Professional services, please visit - <https://www.nutanix.com/content/dam/nutanix/resources/service-descriptions/professional-services-service-descriptions-cisco.pdf>

Table 48.16 Nutanix Flexible Credits

Nutanix Software Product/Edition	Cisco Product PID	Cisco PID Description PS Offer Name - PS Offer Edition - PS Offer Option - Base/Variable	Nutanix PS Edition	Nutanix PS Option
All	NT-FLEX-CST-CR	Nutanix Services Flexible Credits (1 QTY = 100 Credits)	None	None

Table 11, Nutanix Software NCM STR 1 YEAR AND 3 YEAR & ABOVE SUBSCRIPTION with Professional Services PID Mapping

Table 12, Nutanix Software NCM PRO, NCM ULT, NCP (NCM-PRO), NCP (NCM-ULT) 1 YEAR AND 3 YEAR & ABOVE SUBSCRIPTION with Professional services

Nutanix Support:

Table 49 Nutanix Support

Product ID (PID)	PID Description
Nutanix Support	
SVS-NT-SUP	Entitlement ONLY for Nutanix Cloud Infrastructure SW

Software With Professional Services PID Mapping



NOTE: Recommended to select the matching/higher level of service options for the subscribed software. For example: If ULT (Ultimate) software is selected, recommended to choose the ULT services from the below columns. However, it is allowed to select the lower version of the services.

Table 50.0 Nutanix Software NCI, NCI-C, NCI-D, NCP (NCI-PRO), NCP (NCI-ULT), NCP-C (NCIC-PRO), NCP-C (NCIC-ULT) **1 YEAR SUBSCRIPTION** with professional services PID Mapping

Software PIDs	Mandatory Professional Services PIDs	
	NCI Design Workshop (select one service)	NCI Cluster Deployment or Expansion (select a Pair of service)
STR: NCI NT-NCI-STR-PR NT-NCI-STR-MC NT-NCI-STR-AP NT-NCI-STR-AM NT-NCI-STR-FP NT-NCI-STR-FM NCI -C NT-NCIC-STR-PR NT-NCIC-STR-MC NT-NCIC-STR-FP NT-NCIC-STR-FM NCI-D NT-NCI-D-STR-PR NT-NCI-D-STR-MC NT-NCI-D-STR-AP NT-NCI-D-STR-AM NT-NCI-D-STR-FP NT-NCI-D-STR-FM	STR: NT-W-DS-STR NT-W-DS-STR-SD PRO: NT-W-DS-PRO NT-W-DS-PRO-SD ULT: NT-W-DS-ULT-SD	STR: NT-S-DP-STR-AVB and NT-S-DP-STR-AVV or NT-S-DP-STR-EXB and N T-S-DP-STR-EXV PRO: NT-S-DP-PRO-AV-SB and NT-S-DP-PRO-AV-SV or NT-S-DP-PRO-EX-SB and NT-S-DP-PRO-EX-SV or NT-S-DP-PRO-AV-PB and NT-S-DP-PRO-AV-PV or NT-S-DP-PRO-EX-PB and NT-S-DP-PRO-EX-PV ULT: NT-S-DP-ULT-AV-SB and NT-S-DP-ULT-AV-SV or NT-S-DP-ULT-EX-SB and NT-S-DP-ULT-EX-SV or NT-S-DP-ULT-AV-PB and NT-S-DP-ULT-AV-PV or NT-S-DP-ULT-EX-PB and NT-S-DP-ULT-EX-PV or NT-S-DP-ULT-AV-UB and NT-S-DP-ULT-AV-UV or NT-S-DP-ULT-EX-UB and NT-S-DP-ULT-EX-UV

Table 50.0 Nutanix Software NCI, NCI-C, NCI-D, NCP (NCI-PRO), NCP (NCI-ULT), NCP-C (NCIC-PRO), NCP-C (NCIC-ULT) **1 YEAR SUBSCRIPTION** with professional services PID Mapping

<p>PRO:</p> <p>NCI</p> <p>NT-NCI-PRO-PR NT-NCI-PRO-MC NT-NCI-PRO-AP NT-NCI-PRO-AM NT-NCI-PRO-FP NT-NCI-PRO-FM</p> <p>NCI -C</p> <p>NT-NCIC-PRO-PR NT-NCIC-PRO-MC NT-NCIC-PRO-FP NT-NCIC-PRO-FM</p> <p>NCI-D</p> <p>NT-NCI-D-PRO-PR NT-NCI-D-PRO-MC NT-NCI-D-PRO-AP NT-NCI-D-PRO-AM NT-NCI-D-PRO-FP NT-NCI-D-PRO-FM</p> <p>NCP (NCI-PRO)</p> <p>NT-NCP-NCI-PRO-PR NT-NCP-NCI-PRO-MC NT-NCP-NCI-PRO-AP NT-NCP-NCI-PRO-AM NT-NCP-NCI-PRO-FP NT-NCP-NCI-PRO-FM</p> <p>NCP - C (NCIC-PRO)</p> <p>NT-NCP-NCIC-PO-PR NT-NCP-NCIC-PO-MC NT-NCP-NCIC-PO-FP NT-NCP-NCIC-PO-FM</p>		
--	--	--

Table 50.0 Nutanix Software NCI, NCI-C, NCI-D, NCP (NCI-PRO), NCP (NCI-ULT), NCP-C (NCIC-PRO), NCP-C (NCIC-ULT) **1 YEAR SUBSCRIPTION** with professional services PID Mapping

<p>ULT:</p> <p>NCI</p> <p>NT-NCI-ULT-PR NT-NCI-ULT-MC NT-NCI-ULT-AP NT-NCI-ULT-AM NT-NCI-ULT-FP NT-NCI-ULT-FM</p> <p>NCI -C</p> <p>NT-NCIC-ULT-PR NT-NCIC-ULT-MC NT-NCIC-ULT-FP NT-NCIC-ULT-FM</p> <p>NCI-D</p> <p>NT-NCI-D-ULT-PR NT-NCI-D-ULT-MC NT-NCI-D-ULT-AP NT-NCI-D-ULT-AM NT-NCI-D-ULT-FP NT-NCI-D-ULT-FM</p> <p>NCP (NCI-ULT)</p> <p>NT-NCP-NCI-ULT-PR NT-NCP-NCI-ULT-MC NT-NCP-NCI-ULT-AP NT-NCP-NCI-ULT-AM NT-NCP-NCI-ULT-FP NT-NCP-NCI-ULT-FM</p> <p>NCP - C (NCIC-ULT)</p> <p>NT-NCP-NCIC-UT-PR NT-NCP-NCIC-UT-MC NT-NCP-NCIC-UT-FP NT-NCP-NCIC-UT-FM</p>		
--	--	--



NOTE: Recommended to select the matching/higher level of service options for the subscribed software. For example: If ULT (Ultimate) software is selected, recommended to choose the ULT services from the below columns. However, it is allowed to select the lower version of the services.

Table 50.1 Nutanix Software NCI, NCI-C, NCI-D, NCP (NCI-PRO), NCP (NCI-ULT), NCP-C (NCIC-PRO), NCP-C (NCIC-ULT) **3 YEAR SUBSCRIPTION** with professional services PID Mapping

Software PIDs	Mandatory Professional Services PIDs	
	NCI Design Workshop (select one service)	NCI Cluster Deployment or Expansion (select a Pair of service)
STR: NCI NT-NCI-STR-PR NT-NCI-STR-MC NT-NCI-STR-AP NT-NCI-STR-AM NT-NCI-STR-FP NT-NCI-STR-FM NCI -C NT-NCIC-STR-PR NT-NCIC-STR-MC NT-NCIC-STR-FP NT-NCIC-STR-FM NCI-D NT-NCI-D-STR-PR NT-NCI-D-STR-MC NT-NCI-D-STR-AP NT-NCI-D-STR-AM NT-NCI-D-STR-FP NT-NCI-D-STR-FM	STR: NT-W-DS-STR NT-W-DS-STR-SD PRO: NT-W-DS-PRO NT-W-DS-PRO-SD ULT: NT-W-DS-ULT-SD	STR: NT-S-DP-STR-AVB and NT-S-DP-STR-AVV or NT-S-DP-STR-EXB and N T-S-DP-STR-EXV PRO: NT-S-DP-PRO-AV-SB and NT-S-DP-PRO-AV-SV or NT-S-DP-PRO-EX-SB and NT-S-DP-PRO-EX-SV or NT-S-DP-PRO-AV-PB and NT-S-DP-PRO-AV-PV or NT-S-DP-PRO-EX-PB and NT-S-DP-PRO-EX-PV ULT: NT-S-DP-ULT-AV-SB and NT-S-DP-ULT-AV-SV or NT-S-DP-ULT-EX-SB and NT-S-DP-ULT-EX-SV or NT-S-DP-ULT-AV-PB and NT-S-DP-ULT-AV-PV or NT-S-DP-ULT-EX-PB and NT-S-DP-ULT-EX-PV or NT-S-DP-ULT-AV-UB and NT-S-DP-ULT-AV-UV or NT-S-DP-ULT-EX-UB and NT-S-DP-ULT-EX-UV

Table 50.1 Nutanix Software NCI, NCI-C, NCI-D, NCP (NCI-PRO), NCP (NCI-ULT), NCP-C (NCIC-PRO), NCP-C (NCIC-ULT) 3 YEAR SUBSCRIPTION with professional services PID Mapping

<p>PRO:</p> <p>NCI</p> <p>NT-NCI-PRO-PR NT-NCI-PRO-MC NT-NCI-PRO-AP NT-NCI-PRO-AM NT-NCI-PRO-FP NT-NCI-PRO-FM</p> <p>NCI -C</p> <p>NT-NCIC-PRO-PR NT-NCIC-PRO-MC NT-NCIC-PRO-FP NT-NCIC-PRO-FM</p> <p>NCI-D</p> <p>NT-NCI-D-PRO-PR NT-NCI-D-PRO-MC NT-NCI-D-PRO-AP NT-NCI-D-PRO-AM NT-NCI-D-PRO-FP NT-NCI-D-PRO-FM</p> <p>NCP (NCI-PRO)</p> <p>NT-NCP-NCI-PRO-PR NT-NCP-NCI-PRO-MC NT-NCP-NCI-PRO-AP NT-NCP-NCI-PRO-AM NT-NCP-NCI-PRO-FP NT-NCP-NCI-PRO-FM</p> <p>NCP - C (NCIC-PRO)</p> <p>NT-NCP-NCIC-PO-PR NT-NCP-NCIC-PO-MC NT-NCP-NCIC-PO-FP NT-NCP-NCIC-PO-FM</p>		
--	--	--

Table 50.1 Nutanix Software NCI, NCI-C, NCI-D, NCP (NCI-PRO), NCP (NCI-ULT), NCP-C (NCIC-PRO), NCP-C (NCIC-ULT) 3 YEAR SUBSCRIPTION with professional services PID Mapping

<p>ULT:</p> <p>NCI</p> <p>NT-NCI-ULT-PR NT-NCI-ULT-MC NT-NCI-ULT-AP NT-NCI-ULT-AM NT-NCI-ULT-FP NT-NCI-ULT-FM</p> <p>NCI -C</p> <p>NT-NCIC-ULT-PR NT-NCIC-ULT-MC NT-NCIC-ULT-FP NT-NCIC-ULT-FM</p> <p>NCI-D</p> <p>NT-NCI-D-ULT-PR NT-NCI-D-ULT-MC NT-NCI-D-ULT-AP NT-NCI-D-ULT-AM NT-NCI-D-ULT-FP NT-NCI-D-ULT-FM</p> <p>NCP (NCI-ULT)</p> <p>NT-NCP-NCI-ULT-PR NT-NCP-NCI-ULT-MC NT-NCP-NCI-ULT-AP NT-NCP-NCI-ULT-AM NT-NCP-NCI-ULT-FP NT-NCP-NCI-ULT-FM</p> <p>NCP - C (NCIC-ULT)</p> <p>NT-NCP-NCIC-UT-PR NT-NCP-NCIC-UT-MC NT-NCP-NCIC-UT-FP NT-NCP-NCIC-UT-FM</p>		
--	--	--



NOTE: Recommended to select the matching/higher level of service options for the subscribed software. For example: If ULT (Ultimate) software is selected, recommended to choose the ULT services from the below columns. However, it is allowed to select the lower version of the services.

Table 51 Nutanix Software NCM STR [REDACTED] with Professional Services PID Mapping

Software PIDs	Recommended Professional Services PIDs	
	NCM Intelligent Operations Design (select one service)	NCM Intelligent Operations Deployment (select one service)
STR: NCM NT-NCM-STR-PR NT-NCM-STR-MC NT-NCM-STR-AP NT-NCM-STR-AM NT-NCM-STR-FP NT-NCM-STR-FM	STR: NT-W-OD-STR-SD PRO: NT-W-OD-PRO-SD ULT: NT-W-OD-ULT-SD	STR: NT-S-OP-STR PRO: NT-S-OP-PRO ULT: NT-S-OP-ULT



NOTE: Recommended to select the matching/higher level of service options for the subscribed software. For example: If ULT (Ultimate) software is selected, recommended to choose the ULT services from the below columns. However, it is allowed to select the lower version of the services.

Table 52 Nutanix Software NCM PRO, NCM ULT, NCP (NCM-PRO), NCP (NCM-ULT) with Professional services

Software PIDs	Mandatory Professional Services PIDs	
	NCM Intelligent Operations Design (select one service)	NCM Intelligent Operations Deployment (select one service)
PRO: NCM NT-NCM-PRO-PR NT-NCM-PRO-MC NT-NCM-PRO-AP NT-NCM-PRO-AM NT-NCM-PRO-FP NT-NCM-PRO-FM NCP (NCM-PRO) NT-NCP-NCM-PRO-PR NT-NCP-NCM-PRO-MC NT-NCP-NCM-PRO-AP NT-NCP-NCM-PRO-AM NT-NCP-NCM-PRO-FP NT-NCP-NCM-PRO-FM ULT: NCM NT-NCM-ULT-PR NT-NCM-ULT-MC NT-NCM-ULT-AP NT-NCM-ULT-AM NT-NCM-ULT-FP NT-NCM-ULT-FM NCP (NCM-ULT) NT-NCP-NCM-ULT-PR NT-NCP-NCM-ULT-MC NT-NCP-NCM-ULT-AP NT-NCP-NCM-ULT-AM NT-NCP-NCM-ULT-FP NT-NCP-NCM-ULT-FM	STR: NT-W-OD-STR-SD PRO: NT-W-OD-PRO-SD ULT: NT-W-OD-ULT-SD	STR: NT-S-OP-STR PRO: NT-S-OP-PRO ULT: NT-S-OP-ULT

SELECT GUEST VM OPERATING SYSTEM LICENSES

Select VM Operating System Licenses desired from [Table 53](#)



NOTE: Microsoft operating system: Optional Microsoft guest OS license that may be purchased for Virtual Machines that run on top of AHV hypervisor.

Table 53 Guest VM Operating System Licenses

Product ID (PID)	PID Description
Microsoft Options	
MSWS-25-ST16C	Windows Server 2025 Standard, 16 Cores
MSWS-25-ST16C-NS	Windows Server 2025 Standard, 16 Cores - No Cisco SVC
MSWS-25-ST24C	Windows Server 2025 Standard, 24 Cores
MSWS-25-ST24C-NS	Windows Server 2025 Standard, 24 Cores - No SVC
MSWS-25-DC16C	Windows Server 2025 Datacenter, 16 Cores
MSWS-25-DC16C-NS	Windows Server 2025 Datacenter, 16 Cores - No SVC
MSWS-25-DC24C	Windows Server 2025 Datacenter, 24 Cores
MSWS-25-DC24C-NS	Windows Server 2025 Datacenter, 24 Cores - No SVC

SUPPLEMENTAL MATERIAL

Retrofit of Existing UCS Servers

Existing UCSX servers that match the base HCIX M7 modular server platform specification can be retrofitted to support Nutanix software. UCS servers contain a software feature known as a software defined personality, enabling easy and automatic conversion between a base UCS platform and an HCI appliance supported under the Nutanix OEM program.

To prepare a server for retrofitting, confirm all installed components match all required sections of this document (e.g CPU, Memory, Drive Controller, Drives, Network Adapters, etc.). Special care should be taken to ensure compatible boot media, storage controllers, drives, and networking adapters are selected in line with this document.

HCI version of M7 Compute node in modular server is HCIX-210C-M7. However, the base compute node PID is UCSX-210C-M7, both are certified for use with Nutanix if the components are certified. Once the server hardware is confirmed to be compatible with HCIX M7 spec sheet, be sure to purchase the appropriate Nutanix software licenses, Intersight licenses, and professional services, as required.

Simplified Block Diagram

A simplified block diagram of the 210c M7 All-NVMe Node system board is shown in [Figure 11](#).

Figure 11 210c M7 All-NVMe Node Simplified Block Diagram (VIC 25G with Drives)

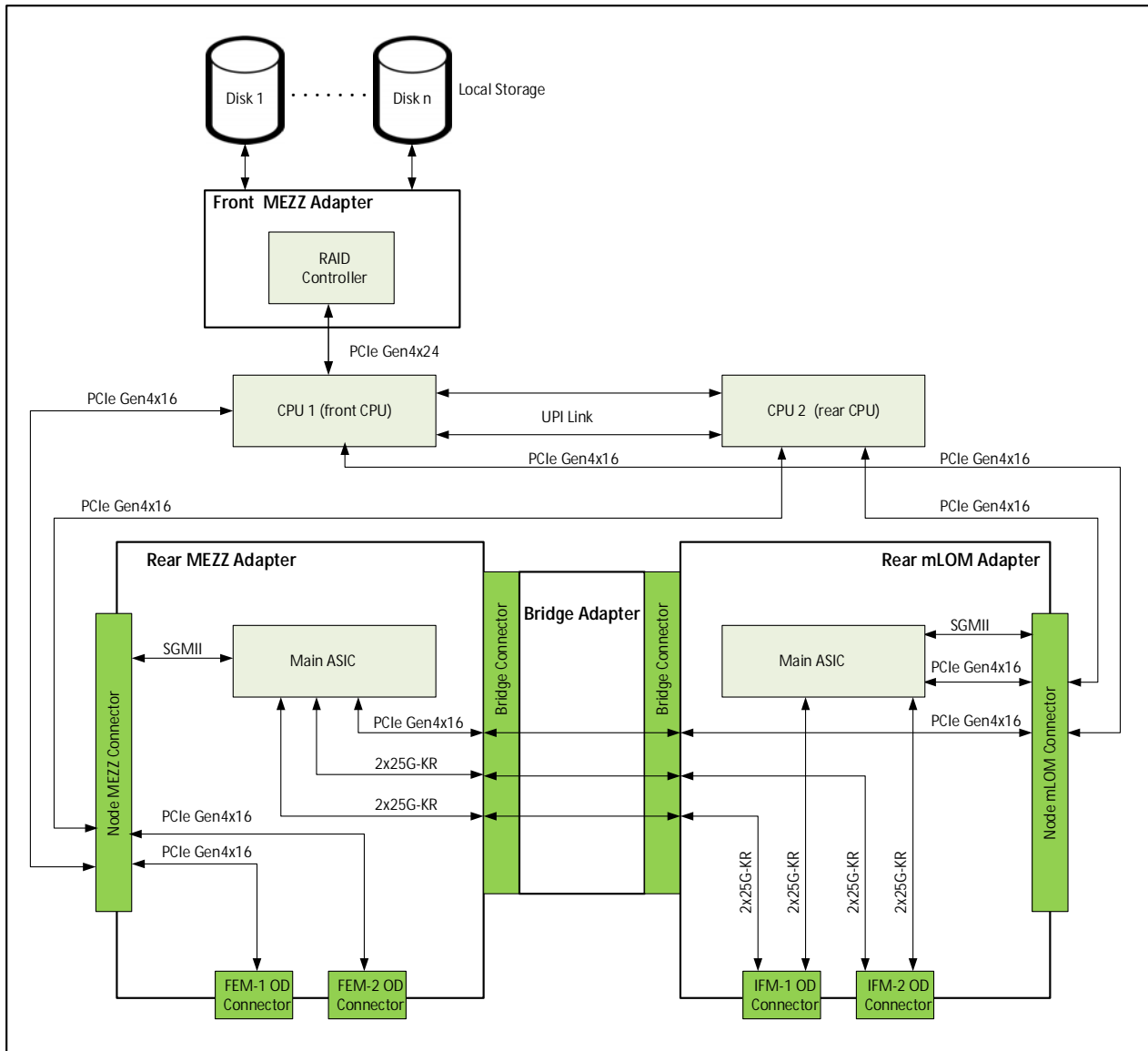
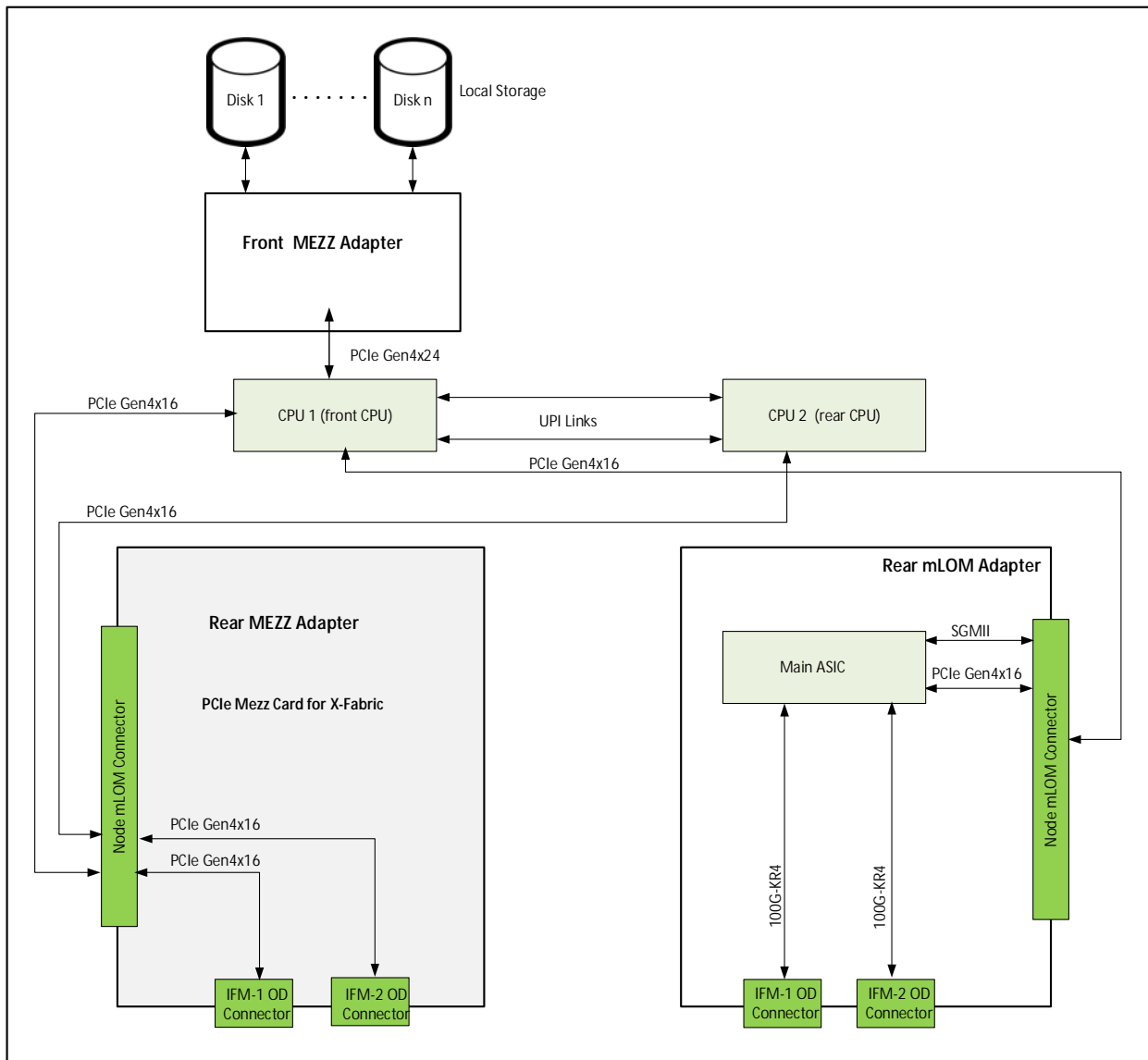


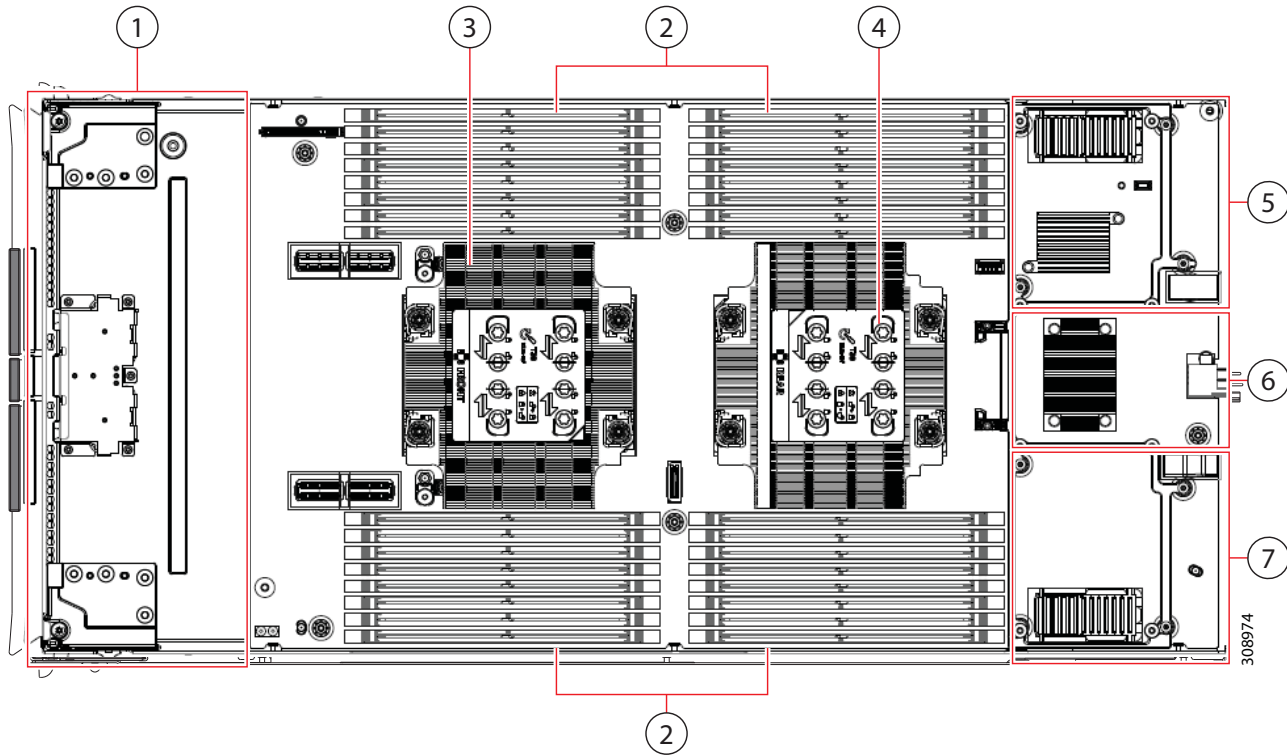
Figure 12 210c M7 All-NVMe Node Simplified Block Diagram (VIC 100G with Drives)



System Board

A top view of the 210c M7 All-NVMe Node system board is shown in [Figure 13](#).

Figure 13 210c M7 All-NVMe Node System Board



1	Front mezzanine slot for SAS/SATA or NVMe drives and M.2 Controllers.	5	Rear mezzanine slot, which supports a mezzanine card with standard or extended mLOM. If an extended mLOM slot is used, it occupies this slot, such that no rear mezzanine card can be installed.
2	DIMM slots (32 maximum)	6	Bridge adapter (for connecting the mLOM to the rear mezzanine card)
3	CPU 1 slot (shown populated)	7	mLOM slot for a standard or extended mLOM
4	CPU 2 slot (shown populated)	-	-

Please refer to the [210c M7 All-NVMe Node Installation Guide](#) for installation procedures.

UPGRADING or REPLACING CPUs and Memory

- Refer to [Server Installation and Service Guide](#) to upgrading or replacing the CPUs
- Refer to [Server Installation and Service Guide](#) to upgrading or replacing the Memory

5TH GEN INTEL XEON BENEFIT PILLARS

INTEL® XEON® PROCESSORS

5TH GEN INTEL® XEON® PROCESSORS

INTEL XEON HEADLINE: Trusted performance. Exceptional efficiency.

5TH GEN INTEL XEON VALUE PROPOSITION:

Get impressive performance per watt gains across all your workloads,¹ plus outsized performance and TCO in AI, database, networking, and HPC.² 5th Gen Intel® Xeon® processors deliver more compute and faster memory³ at the same TDP as the previous generation. It's software- and platform-compatible with the previous generation, so you can minimize testing and validation when deploying new systems.

AI-FOCUSED LEAD MESSAGE: The processor designed for AI

The processor designed for AI With AI acceleration in every core, 5th Gen Intel® Xeon® processors are ready to handle your demanding AI workloads—including inference and fine tuning on models up to 20 billion parameters⁴—before you need to add discrete accelerators.

5TH GEN INTEL XEON BENEFIT PILLARS:

Performance	AI	Efficiency	Quality and security
<ul style="list-style-type: none"> ■ 21% average performance gain at the same TDP as 4th Gen Intel® Xeon® processors¹ ■ Up to 16% memory bandwidth improvement³ and 2.7x increased last level cache⁴ vs. 4th Gen Intel® Xeon® processors ■ 84% average performance gain over 3rd Gen Intel® Xeon® processors⁵ ■ Out-of-box software performance using accelerators 	<ul style="list-style-type: none"> ■ Less than 100 ms second-token latency on LLMs under 20 billion parameters⁶ ■ Up to 2.7x better AI inference performance vs. 4th Gen AMD EPYC processors⁷ ■ Up to 14x better AI training and inference performance vs. 3rd Gen Intel® Xeon® processors⁸ ■ Software tools and ecosystem to accelerate AI ■ Confidential computing to help protect AI models 	<ul style="list-style-type: none"> ■ Up to 10x higher performance per watt using built-in accelerators⁹ ■ Up to 3x higher performance per watt with built-in accelerators vs. 4th Gen AMD EPYC processors¹⁰ 	<ul style="list-style-type: none"> ■ Software- and pin-compatible with 4th Gen Intel® Xeon® processors ■ Silicon-based security features, confidential computing, and trust services ■ Leading quality and enhanced telemetry ■ Largest ecosystem of hardware and software vendors

Availability of accelerators varies depending on SKU. Visit the [5th Gen Intel Product Information page](#) for additional product details.

See [Intel® Xeon® Processors Notices and Disclaimers](#) in next page.

Notes:

1. Average performance gain as measured by the geomean of SPEC CPU rate, STREAM Triad, and LINPACK compared to 4th Gen Intel® Xeon® processor. See G1 at intel.com/processorclaims: 5th Gen Intel Xeon Scalable processors. Results may vary.





2. As measured by performance per watt on a range of AI, database, networking, and HPC workloads compared to 4th Gen Intel® Xeon® processor. See A2, A19-A25, D1, D2, D5, H1, N16 at intel.com/processorclaims: 5th Gen Intel Xeon Scalable processors. Results may vary.
3. See G12 at intel.com/processorclaims: 5th Gen Intel Xeon Scalable processors. Results may vary
4. See G11 at intel.com/processorclaims: 5th Gen Intel Xeon Scalable processors. Results may vary.
5. Average performance gain as measured by the geomean of SPEC CPU rate, STREAM Triad, and LINPACK compared to 3rd Gen Intel® Xeon® processor. See G3 at intel.com/processorclaims: 5th Gen Intel Xeon Scalable processors. Results may vary.
6. Based on Intel internal modelling as of December 2023.
7. Based on performance gains of 1.19x to 2.69x with Intel® Advanced Matrix Extensions (Intel® AMX) for inference on GPT-J, LLaMA-2 13B, DLRM, DistilBERT, BERT-Large, and ResNet50v1.5 compared to AMD EYPC 9654 and 9754. See A201, A202, A208-A211 at intel.com/processorclaims: 5th Gen Intel Xeon Scalable processors. Results may vary.
8. Based on performance gains of 4.4x to 14.2x for training (ResNet50v1.5, BERT-Large, SSD-ResNet34, RNN-T, MaskRCNN, and DLRM) and 2.9x to 14x for inference (ResNet50v1.5, BERT-Large, SSD-ResNet34, RNN-T (BF16 only), Resnext101 32x16d, MaskRCNN (BF16 only), DistilBERT) compared to 3rd Gen Intel® Xeon® processor. See A15-A16 at intel.com/processorclaims: 5th Gen Intel Xeon Scalable processors. Results may vary.
9. Based on performance per watt gains of 1.46x to 10.6x with built-in accelerators on a range of AI, database, and networking workloads. See A19-A25, D1, D2, D5, N16 at intel.com/processorclaims: 5th Gen Intel Xeon Scalable processors. Results may vary.
10. Based on performance per watt gains of 1.11x to 2.96x with built-in accelerators on a range of AI, database, networking, and HPC workloads compared to AMD EYPC 9554, 9654, and 9754. See A208-A211, D201-D204, H201, N201 at intel.com/processorclaims: 5th Gen Intel Xeon Scalable processors. Results may vary

Intel® Xeon® Processors Notices and Disclaimers

- Availability of accelerators varies depending on SKU. Visit the Intel Product Information page for additional product details.
- Performance varies by use, configuration and other factors.
- Performance results are based on testing as of dates shown in configurations and may not reflect all publicly available updates. See backup for configuration details. No product or component can be absolutely secure.
- Your costs and results may vary.
- Intel technologies may require enabled hardware, software or service activation.
- Intel does not control or audit third-party data. You should consult other sources to evaluate accuracy.
- © Intel Corporation. Intel, the Intel logo, and other Intel marks are trademarks of Intel Corporation or its subsidiaries. Other names and brands may be claimed as the property of others.
- Intel contributes to the development of benchmarks by participating in, sponsoring, and/or contributing technical support to various benchmarking groups, including the BenchmarkXPRT Development Community administered by Principled Technologies.

LEADERSHIP PERFORMANCE WITH 4TH GEN INTEL® XEON® PROCESSORS

Improve performance efficiency for critical workloads with the most built-in accelerators.

<p>Accelerate Performance</p>  <p>53% general purpose performance gains ¹</p> <p>up to 10x increase in AI workload performance with built-in accelerators ²</p>	<p>Reduce TCO</p>  <p>Up to 5:1 server consolidation with 75% TCO reduction ³</p> <p>3x better efficiency (perf/watt) with built in accelerators ⁴</p>	<p>Increase Security</p>  <p><u>Most researched</u> and deployed confidential computing technology in data centers on the market today</p> <p><u>Accelerated data encryption</u> performance with built in accelerators</p>	<p>Accelerate Time to Market</p>  <p>Extensively tested and validated to <u>run critical workloads at scale</u></p> <p><u>Most choice and flexibility</u> for deployments with largest ecosystem</p>
---	--	---	--

Availability of accelerators varies depending on SKU. Visit the [4th Gen Intel Product Information page](#) for additional product details.

See [Intel® Xeon® Processors Notices and Disclaimers](#) in next page.

Notes:

1. Compared to prior generation Intel® Xeon® processor. See [G1] at intel.com/processorclaims: 4th Gen Intel® Xeon® Scalable processors. Results may vary.
2. Compared to prior generation Intel® Xeon® processor. See [A16] and [A17] at intel.com/processorclaims: 4th Gen Intel® Xeon® Scalable processors. Results may vary.
3. Comparing benefits transitioning from Intel® Xeon® 4110 to Intel® Xeon® 5420+. See [E11] at intel.com/processorclaims: 4th Gen Intel® Xeon® Scalable processors. Results may vary.
4. Compared to prior generation Intel® Xeon® processor. See [E1] at intel.com/processorclaims: 4th Gen Intel® Xeon® Scalable processors. Results may vary.

Intel® Xeon® Processors Notices and Disclaimers

- Performance varies by use, configuration and other factors.
- Performance results are based on testing as of dates shown in configurations and may not reflect all publicly available updates. See backup for configuration details. No product or component can be absolutely secure.
- Your costs and results may vary.
- Intel technologies may require enabled hardware, software or service activation.
- Intel does not control or audit third-party data. You should consult other sources to evaluate accuracy.
- © Intel Corporation. Intel, the Intel logo, and other Intel marks are trademarks of Intel Corporation or its subsidiaries. Other names and brands may be claimed as the property of others.
- Intel contributes to the development of benchmarks by participating in, sponsoring, and/or contributing technical support to various benchmarking groups, including the BenchmarkXPRT Development Community administered by Principled Technologies.

TECHNICAL SPECIFICATIONS

Dimensions and Weight

Table 54 210c M7 All-NVMe Node Dimensions and Weight

Parameter	Value
Height	1.80 in. (45.7 mm)
Width	11.28 in. (286.5 mm)
Depth	23.7 in. (602 mm)
Weight	<ul style="list-style-type: none"> ■ Minimally configured node weight = 12.84 lbs. (5.83 kg) ■ Fully configured cisco compute hyperconverged node weight = 25.1 lbs. (11.39 kg)

Environmental Specifications

Table 55 210c M7 All-NVMe Node Environmental Specifications

Parameter	Value
Operating temperature	50° to 95° F (10° to 35° C)
Non-operating temperature	-40° to 149° F (-40° to 65° C)
Operating humidity	5% to 90% noncondensing
Non-operating humidity	5% to 93% noncondensing
Operating altitude	0 to 10,000 ft (0 to 3000m); maximum ambient temperature decreases by 1° C per 300m
Non-operating altitude	40,000 ft (12,000m)

For configuration-specific power specifications, use the Cisco Power Calculator at:

<http://ucspowercalc.cisco.com>



NOTE: The Cisco Compute Hyperconverged HCIX210c M7 node has a power cap of 1300 Watts for all combinations of components (CPUs, DIMMs, drives, and so on). Also, the ambient temperature must be less than 35 °C (95 °F).

DISCONTINUED EOL PRODUCTS

Below is the list of parts were previously available for this product and are no longer sold. Please refer to the EOL Bulletin Links via table below to determine if still supported.

Table 56 EOS

Product ID	Description	EOL/EOS link
HCIX-NVME4-15360	15.3TB 2.5in U.2 15mm P5520 Hg Perf Med End NVMe	https://www.cisco.com/c/en/us/products/collateral/hyperconverged-infrastructure/compute-hyperconverged-nutanix/select-hci-accessories-eol.html
HCIX-NVME4-1920	1.9TB 2.5in U.2 15mm P5520 Hg Perf Med End NVMe	https://www.cisco.com/c/en/us/products/collateral/hyperconverged-infrastructure/compute-hyperconverged-nutanix/select-hci-accessories-eol.html
HCIX-NVME4-3840	3.8TB 2.5in U.2 15mm P5520 Hg Perf Med End NVMe	https://www.cisco.com/c/en/us/products/collateral/hyperconverged-infrastructure/compute-hyperconverged-nutanix/select-hci-accessories-eol.html
HCIX-NVME4-7680	7.6TB 2.5in U.2 15mm P5520 Hg Perf Med End NVMe	https://www.cisco.com/c/en/us/products/collateral/hyperconverged-infrastructure/compute-hyperconverged-nutanix/select-hci-accessories-eol.html
HCIX-MR128G4RE3	128GB DDR5-5600 RDIMM 4Rx4 (16Gb)	https://www.cisco.com/c/en/us/products/collateral/servers-unified-computing/ucs-c-series-rack-servers/select-ucs-accessories-eol15570.html
HCIX-M2-I480GB	480GB M.2 Boot SATA Intel SSD	https://www.cisco.com/c/en/us/products/collateral/hyperconverged-infrastructure/compute-hyperconverged-nutanix/select-hci-accessories-eol.html?emailclick=CNSEmail
HCIX-MRX16G1RE1	16GB DDR5-4800 RDIMM 1Rx8 (16Gb)	https://www.cisco.com/c/en/us/products/collateral/servers-unified-computing/ucs-c-series-rack-servers/ucs-accessories_eol.html
HCIX-MRX32G1RE1	32GB DDR5-4800 RDIMM 1Rx4 (16Gb)	https://www.cisco.com/c/en/us/products/collateral/servers-unified-computing/ucs-c-series-rack-servers/ucs-accessories_eol.html
HCIX-MRX64G2RE1	64GB DDR5-4800 RDIMM 2Rx4 (16Gb)	https://www.cisco.com/c/en/us/products/collateral/servers-unified-computing/ucs-c-series-rack-servers/ucs-accessories_eol.html
HCIX-MR128G4RE1	128GB DDR5-4800 RDIMM 4Rx4 (16Gb)	https://www.cisco.com/c/en/us/products/collateral/servers-unified-computing/ucs-c-series-rack-servers/ucs-accessories_eol.html
HCIX-M2-I240GB	240GB M.2 Boot SATA Intel SSD	https://www.cisco.com/c/en/us/products/collateral/hyperconverged-infrastructure/compute-hyperconverged-nutanix/select-hci-accessories-eol.html
HCIX-NVMEG4-M1920	1.9TB 2.5in U.3 15mm P7450 Hg Perf Med End NVMe	https://www.cisco.com/c/en/us/products/collateral/servers-unified-computing/ucs-c-series-rack-servers/select-ucs-hci-accessories-eol15841.html
HCIX-NVMEG4-M3840	3.8TB 2.5in U.3 15mm P7450 Hg Perf Med End NVMe	https://www.cisco.com/c/en/us/products/collateral/servers-unified-computing/ucs-c-series-rack-servers/select-ucs-hci-accessories-eol15841.html
HCIX-NVMEG4-M7680	7.6TB 2.5in U.3 15mm P7450 Hg Perf Med End NVMe	https://www.cisco.com/c/en/us/products/collateral/servers-unified-computing/ucs-c-series-rack-servers/select-ucs-accessories-eol15875.html



Americas Headquarters
Cisco Systems, Inc.
San Jose, CA

Asia Pacific Headquarters
Cisco Systems (USA) Pte. Ltd.
Singapore

Europe Headquarters
Cisco Systems International BV Amsterdam,
The Netherlands

Cisco has more than 200 offices worldwide. Addresses, phone numbers, and fax numbers are listed on the Cisco Website at www.cisco.com/go/offices.

Cisco and the Cisco Logo are trademarks of Cisco Systems, Inc. and/or its affiliates in the U.S. and other countries. A listing of Cisco's trademarks can be found at www.cisco.com/go/trademarks. Third party trademarks mentioned are the property of their respective owners. The use of the word partner does not imply a partnership relationship between Cisco and any other company. (1005R)

