



# Cisco Compute X-Series Hyperconverged and Compute-Only (CO) Node Server with Nutanix

## 215c M8 All-NVMe Node

A printed version of this document is only a copy and not necessarily the latest version. Refer to the following link for the latest released version:

<https://www.cisco.com/c/en/us/products/hyperconverged-infrastructure/compute-hyperconverged/datasheet-listing.html>

<b>OVERVIEW</b>	<b>3</b>
Cisco Compute Hyperconverged Server	3
Cisco Compute-Only (CO) Node Server	5
<b>DETAILED VIEWS</b>	<b>7</b>
Cisco Compute Hyperconverged HCIXNX215c M8 All-NVMe Compute Node Front View	7
<b>BASE SERVER STANDARD CAPABILITIES and FEATURES</b>	<b>8</b>
<b>CONFIGURING THE CISCO COMPUTE HYPERCONVERGED SERVER</b>	<b>10</b>
STEP 1 CHOOSE BASE CISCO COMPUTE HYPERCONVERGED NODE SKU	11
STEP 2 CHOOSE CPU(S)	12
STEP 3 CHOOSE MEMORY	14
Memory configurations and mixing rules	15
STEP 4 CHOOSE REAR mLOM ADAPTER	16
STEP 5 CHOOSE OPTIONAL REAR MEZZANINE VIC/BRIDGE ADAPTERS	20
STEP 6 CHOOSE FRONT MEZZANINE ADAPTER	22
STEP 7 CHOOSE OPTIONAL GPU PCIe NODE	23
STEP 8 CHOOSE DRIVES	24
STEP 9 ORDER M.2 BOOT RAID CONTROLLER and SATA SSDs	25
STEP 10 CHOOSE OPTIONAL TRUSTED PLATFORM MODULE	26
STEP 11 SELECT HYPERVISOR	27
<b>CONFIGURING THE CISCO COMPUTE-ONLY (CO) NODE SERVER</b>	<b>28</b>
STEP 1 CHOOSE BASE CISCO COMPUTE-ONLY (CO) NODE SKU	31
STEP 2 DEPLOYMENT TYPE	32
STEP 3 MANAGMENT MODE	33
STEP 4 CHOOSE CPU(S)	34
STEP 5 CHOOSE MEMORY	36
Memory configurations and mixing rules	37
STEP 6 CHOOSE REAR mLOM ADAPTER	38
STEP 7 CHOOSE OPTIONAL REAR MEZZANINE VIC/BRIDGE ADAPTERS	42
STEP 8 CHOOSE OPTIONAL GPU PCIe NODE	44
STEP 9 ORDER M.2 DRIVES	45
STEP 10 CHOOSE OPTIONAL TRUSTED PLATFORM MODULE	46
<b>SELECT NUTANIX SOFTWARE AND NUTANIX PROFESSIONAL SERVICES</b>	<b>47</b>
Top Level Nutanix Software And Professional Services PIDs	49
Nutanix Software And Professional Services PID Decoder	51
Nutanix Software PIDs and Description	52
Nutanix software limited orderability	93
Professional Services PIDs and Description	95
Nutanix Support:	112
Software With Professional Services PID Mapping	113
<b>SELECT GUEST VM OPERATING SYSTEM LICENSES</b>	<b>121</b>
<b>SUPPLEMENTAL MATERIAL</b>	<b>122</b>
Simplified Block Diagram	122
<b>UPGRADING or REPLACING CPUs and Memory</b>	<b>124</b>
<b>TECHNICAL SPECIFICATIONS</b>	<b>125</b>
Dimensions and Weight	125
Environmental Specifications	125

## OVERVIEW

### Cisco Compute Hyperconverged Server

Cisco Compute Hyperconverged with Nutanix accelerates and simplifies the delivery of infrastructure and applications, at a global scale, through best-in-class cloud-operating models, industry-leading flexibility, and enhanced support and resiliency capabilities so you can power your hybrid multicloud future with the industry's most complete hyperconverged solution.

Cisco and Nutanix have partnered to introduce the industry's first hyperconverged solution using a modular server architecture. The Cisco Compute Hyperconverged X-Series System solution combines the operational simplicity of the Nutanix Cloud Platform with the flexibility and efficiency of the award-winning Cisco UCS® X-Series Modular System, enabling organizations to easily deploy, scale, and upgrade hyperconverged clusters with a more sustainable, future-ready solution.

The Cisco Compute Hyperconverged X-Series Modular System simplifies your data center, adapting to the unpredictable needs of modern applications while also providing for traditional scale-out and enterprise workloads. It reduces the number of server types to maintain, helping to improve operational efficiency and agility as it helps reduce complexity. Powered by the Cisco Intersight™ cloud operations platform, it shifts your thinking from administrative details to business outcomes with hybrid cloud infrastructure that is assembled from the cloud, shaped to your workloads, and continuously optimized.

The Cisco Compute Hyperconverged HCIXNX215c M8 All-NVMe Compute Node is integrated into the Cisco Compute Hyperconverged X-Series Modular System. Up to eight Cisco Compute Hyperconverged Nodes can reside in the 7-Rack-Unit (7RU) Cisco Compute Hyperconverged 9508 Chassis, offering one of the highest densities of compute, IO, and storage per rack unit in the industry.

The Cisco Compute Hyperconverged HCIXNX215c M8 All-NVMe Compute Node harnesses the power of the AMD EPYC™ Series Processors, and refer to the [BASE SERVER STANDARD CAPABILITIES and FEATURES on page 8](#).

Cluster Scale: Nutanix clusters scale is determined by the cluster Management Mode. Check the below [Table 1](#) for more information.

Table 1 Nutanix HCI Rack platform scale and limits

Scale	Limit	Hypervisor (AHV/ESXi)
	Intersight Managed Mode (IMM)	
Min. Cluster Size	1	Both
Max. Cluster Size	32	Both
Initial cluster deployment /Node preparation for expansion	16	Both
Cluster expansion	8 at a time	Both
Number of parallel deployments in FC	32	Both



**IMPORTANT NOTE:** HCI M8 platforms are supported in Intersight Managed Mode (IMM) only. No UCS Managed Mode (UMM) deployments are supported.

*Figure 1 on page 7* shows a front view of the Cisco Compute Hyperconverged HCIXNX215c M8 All-NVMe Compute Node.

Figure 1 Cisco Compute Hyperconverged HCIXNX215c M8 All-NVMe Compute Node

Front View with Drives



## Cisco Compute-Only (CO) Node Server

Traditional hyperconverged solutions requires scaling compute and storage together. Modern workloads require modern flexibility. When you need to scale compute capacity without adding storage, Cisco Compute-Only (CO) nodes provide that critical capability-empowering you to design clusters that match your exact requirements

Cisco Compute-Only (CO) nodes serve two purposes: expanding hyperconverged node or connecting to external storage like Everpure Flash Array

### A) Expanding Cisco Compute Hyperconverged node cluster with Compute-Only (CO) node:

Cisco's Compute-Only (CO) node solution enables you to expand the compute resources of Cisco Hyperconverged cluster running Nutanix by adding UCS certified servers without additional storage. These storage-less, Cisco certified Compute-Only (CO) servers integrate seamlessly into your existing or new hyperconverged Nutanix cluster, allowing organizations to efficiently support CPU-intensive applications by scaling processing resources independently of storage infrastructure.

Key benefits:

- Cost-effective scaling for compute-heavy workloads
- Flexibility in cluster design

Delivering performance, versatility and density without compromise, the Compute-Only (CO) Node addresses the broadest set of workloads.

### B) Cisco Compute-Only (CO) node connected to Everpure Flash Array (Flashstack with Nutanix)

Everpure® FlashArray//X™ and FlashArray//XL™ delivers mission-critical performance with the efficiency and resiliency that's missing from legacy arrays. FlashArray //X and FlashArray//XL™ packs more IOPS, ultra consistent latency, and greater scale into a smaller footprint. Non-disruptive upgrades, always-on availability, and built-in data protection ensure workloads are always running while cutting risk. FlashArray//XL is designed to provide the highest performance density with a level of operational and management simplicity. FlashArray//C™ delivers a balanced all-flash storage solution optimized for file services and general-purpose workloads. With predictable performance, streamlined operations, and built-in cyber resiliency, it keeps applications consistently secure and positions organizations to outperform capacity-optimized, all-flash, and hybrid storage alternatives.

Nutanix Cloud Platform (NCP) consolidates computing, storage, and networking into a unified pool. It uses AOS for storage, AHV for virtualization, and Prism Central for centralized management across environments.

The Cisco Compute-Only (CO) node with Nutanix Cloud Platform (NCP) and Everpure FlashArray solution delivers a disaggregated infrastructure architecture that enables independent scaling of compute and storage resources. This solution combines industry-standard Cisco Compute-Only (CO) node servers running Nutanix AHV and AOS connected to external Everpure FlashArray. The FlashStack solution with Nutanix integration provides organizations with the agility to adapt infrastructure resources dynamically while maintaining enterprise-level reliability and performance

Key Benefits:

- Independent Scalability: Scale compute and storage resources separately based on workload demands
- Enterprise-Grade Protection: Built-in data protection and disaster recovery capabilities

- Hybrid Cloud Ready: Seamlessly extend operations across on-premises and cloud environments
- Investment protection - enables using Nutanix Cloud Platform with existing storage.

The Cisco Compute Hyperconverged HCOXNX215C M8 All-NVMe Compute Node harnesses the power of the AMD EPYC™ Series Processors, and refer to the [BASE SERVER STANDARD CAPABILITIES and FEATURES on page 8](#).

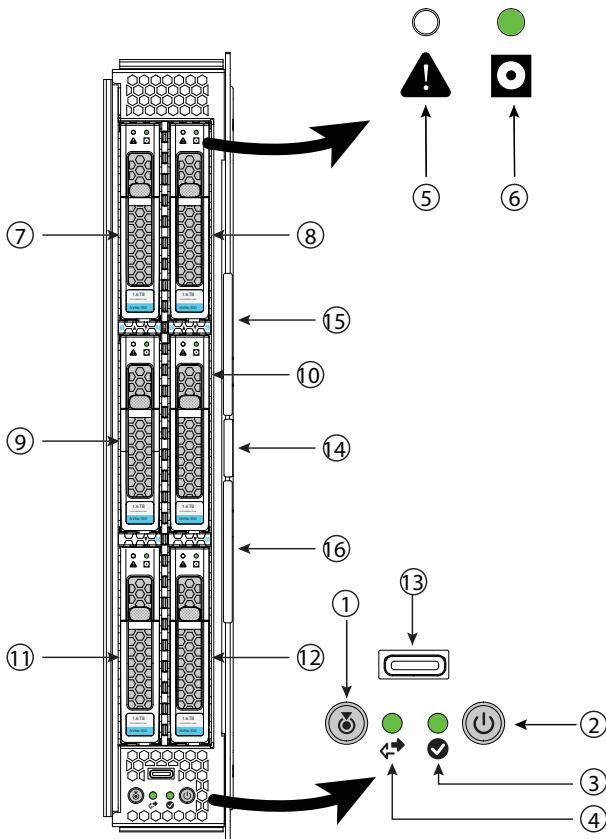
## DETAILED VIEWS

### Cisco Compute Hyperconverged HCIXNX215c M8 All-NVMe Compute Node Front View

Figure 2 is a front view of the Cisco Compute Hyperconverged HCIXNX215c M8 All-NVMe Compute Node.

Figure 2 Cisco Compute Hyperconverged HCIXNX215c M8 All-NVMe Compute Node Front View (Drives option)

#### Storage Drives Option



1	Locate button/LED	9	Drive Bay 3 (shown populated)
2	Power button/LED	10	Drive Bay 4 (shown populated)
3	Status LED	11	Drive Bay 5 (shown populated)
4	Network activity LED	12	Drive Bay 6 (shown populated)
5	Warning LED (one per drive)	13	OCUlink console port <sup>1</sup>
6	Disk drive activity LED (one per drive)	14	Ejector handle retention button
7	Drive Bay 1 (shown populated)	15	Upper ejector handle
8	Drive Bay 2 (shown populated)	16	Lower ejector handle

#### Notes:

1. An adapter cable (PID HCIX-C-DEBUGCBL) is required to connect the OCUlink port to the transition serial USB and video (SUV) octopus cable.

## BASE SERVER STANDARD CAPABILITIES and FEATURES

*Table 2* lists the capabilities and features of the base Cisco Compute Hyperconverged HCIXNX215c M8 All-NVMe Compute Node. Details about how to configure the Cisco Compute Hyperconverged Node for a listed feature or capability (for example, number of processors, disk drives, or amount of memory) are provided in [CONFIGURING THE CISCO COMPUTE HYPERCONVERGED SERVER on page 10](#) and [CONFIGURING THE CISCO COMPUTE-ONLY \(CO\) NODE SERVER on page 28](#).

Table 2 Capabilities and Features


Capability/Feature	Description
Chassis	<ul style="list-style-type: none"> <li>■ The compute nodes mounts in a Cisco Compute Hyperconverged 9508 chassis.</li> </ul>
CPU	<ul style="list-style-type: none"> <li>■ One or two AMD EPYC™ 5th Gen Series Processors</li> </ul>
Memory	<ul style="list-style-type: none"> <li>■ 24 slots for registered DIMMs (RDIMMs)</li> </ul>
Internal Storage (Applicable to hyperconverged Node Only)	<ul style="list-style-type: none"> <li>■ Front mezzanine storage options (hot-swappable):                             <ul style="list-style-type: none"> <li>• 3 to 8 EDSFF E3.S NVMe drives or</li> <li>• 3 to 6 U.3 NVMe drives</li> </ul> </li> </ul> <p>NOTE: Drives require a passthrough controller in the front mezzanine module slot.</p>
Additional Storage	<ul style="list-style-type: none"> <li>■ Dual 80 mm SATA 3.0 M.2 cards on a boot-optimized hardware RAID controller</li> </ul>
Mezzanine Adapters (Front)	<p>One front mezzanine connector that supports:</p> <ul style="list-style-type: none"> <li>■ EDSFF E3.S NVMe passthrough controller or</li> <li>■ U.3 NVMe passthrough controller</li> </ul>  <hr/> <p>Note: Drives pass-through controller in the front mezzanine module slot.</p>
Mezzanine Adapter (Rear)	<ul style="list-style-type: none"> <li>■ An optional Cisco Virtual Interface Card 15422 can occupy the server’s mezzanine slot at the bottom of the chassis. A bridge card extends this VIC’s 2x 50Gbps of network connections up to the mLOM slot and out through the mLOM’s IFM connectors, bringing the total bandwidth to 100Gbps per fabric—a total of 200Gbps per server.</li> <li>■ An optional PCIe Mezz card for X-Fabric is also supported in the server’s mezzanine slot. This card’s I/O connectors link to the Cisco X-Fabric modules for Hyperconverged X-Series Gen4 PCIe node access.</li> </ul>

Table 2 Capabilities and Features (*continued*)

Capability/Feature	Description
mLOM	<p>The modular LAN on motherboard (mLOM) cards (the Cisco VIC 15230 and 15420) is located at the rear of the Cisco Compute Hyperconverged Node.</p> <ul style="list-style-type: none"> <li>■ The Cisco Virtual Interface Card VIC 15420 is a Cisco designed PCI Express (PCIe) based card that supports two 2x25G-KR network interfaces to provide Ethernet communication to the network by means of the Intelligent Fabric Modules (IFMs) in the Cisco Compute Hyperconverged 9508 chassis. The Cisco VIC 15420 mLOM can connect to the rear mezzanine adapter card with a bridge connector.</li> <li>■ The Cisco Virtual Interface Card (VIC) 15230 occupies the server's modular LAN on motherboard (mLOM) slot, enabling up to 100 Gbps of unified fabric connectivity to each of the chassis Intelligent Fabric Modules (IFMs) for 100 Gbps connectivity per server with secure boot capability.</li> </ul>
Video	<p>Video uses a Matrox G200e video/graphics controller.</p> <ul style="list-style-type: none"> <li>■ Integrated 2D graphics core with hardware acceleration</li> <li>■ DDR4 memory interface supports up to 512 MB of addressable memory (16 MB is allocated by default to video memory)</li> <li>■ Supports display resolutions up to 1920 x 1200 32 bpp@ 60Hz</li> <li>■ Video is available with an Oculink connector on the front panel. An adapter cable (PID HCIX-C-DEBUGCBL) is required to connect the OCuLink port to the transition serial USB and video (SUV) octopus cable.</li> </ul>
Front Panel Interfaces	<ul style="list-style-type: none"> <li>■ OCuLink console port. Note that an adapter cable is required to connect the OCuLink port to the transition serial USB and video (SUV) octopus cable.</li> </ul>
Power subsystem	<ul style="list-style-type: none"> <li>■ Power is supplied from the Cisco Compute Hyperconverged 9508 chassis power supplies.</li> </ul>
Fans	<ul style="list-style-type: none"> <li>■ Integrated in the Cisco Compute Hyperconverged 9508 chassis.</li> </ul>
Integrated management processor	<ul style="list-style-type: none"> <li>■ The built-in Cisco Integrated Management Controller enables monitoring of Cisco Compute Hyperconverged HCIXNX215c M8 All-NVMe Compute Node inventory, health, and system event logs.</li> </ul>
Baseboard Management Controller (BMC)	<ul style="list-style-type: none"> <li>■ ASPEED Pilot IV</li> </ul>
ACPI	<ul style="list-style-type: none"> <li>■ Advanced Configuration and Power Interface (ACPI) 6.5 Standard Supported. ACPI states S0 and S5 are supported. There is no support for states S1 through S4.</li> </ul>
Front Indicators	<ul style="list-style-type: none"> <li>■ Power button and indicator</li> <li>■ System activity indicator</li> <li>■ Location button and indicator</li> </ul>
Management	<ul style="list-style-type: none"> <li>■ <a href="#">Cisco Intersight software</a> (SaaS, Virtual Appliance and Private Virtual Appliance)</li> </ul>
Fabric Interconnect	<ul style="list-style-type: none"> <li>■ Compatible with the Cisco UCS 6454, 64108, 6536 and 6664 fabric interconnects</li> </ul>

## CONFIGURING THE CISCO COMPUTE HYPERCONVERGED SERVER

Follow these steps to configure the Cisco Compute Hyperconverged HCIXNX215c M8 All-NVMe Compute Node:

- [STEP 1 CHOOSE BASE CISCO COMPUTE HYPERCONVERGED NODE SKU, page 11](#)
- [STEP 2 CHOOSE CPU\(S\), page 12](#)
- [STEP 3 CHOOSE MEMORY, page 14](#)
- [STEP 4 CHOOSE REAR mLOM ADAPTER, page 16](#)
- [STEP 5 CHOOSE OPTIONAL REAR MEZZANINE VIC/BRIDGE ADAPTERS, page 20](#)
- [STEP 6 CHOOSE FRONT MEZZANINE ADAPTER, page 22](#)
- [STEP 7 CHOOSE OPTIONAL GPU PCIe NODE, page 23](#)
- [STEP 8 CHOOSE DRIVES, page 24](#)
- [STEP 9 ORDER M.2 BOOT RAID CONTROLLER and SATA SSDs, page 25](#)
- [STEP 10 CHOOSE OPTIONAL TRUSTED PLATFORM MODULE, page 26](#)
- [STEP 11 SELECT HYPERVISOR, page 27](#)
- [SELECT NUTANIX SOFTWARE AND NUTANIX PROFESSIONAL SERVICES, page 47](#)
- [SELECT GUEST VM OPERATING SYSTEM LICENSES, page 121](#)

## STEP 1 CHOOSE BASE CISCO COMPUTE HYPERCONVERGED NODE SKU

Top Level ordering product ID (PID) of the Cisco Compute Hyperconverged HCIXNX215c M8 All-NVMe Compute Node as shown in [Table 3](#).

Table 3 Top level ordering PID

Product ID (PID)	Description
HCIX-M8-NTNX-MLB	Cisco Compute Hyperconverged X-Series M8 with Nutanix MLB

Select the product ID (PID) of the Cisco Compute Hyperconverged HCIXNX215c M8 All-NVMe Compute Node as shown in [Table 4](#).

Table 4 PID of the Base Cisco Compute Hyperconverged HCIXNX215c M8 All-NVMe Compute Node

Product ID (PID)	Description
HCIXNX215C-M8SN	215cM8 All NVMe Hyperconverged Node w/o CPU,Memory,Storage
HCIXNX215C-M8SN-U	215c M8 All NVMe Hyperconverged Node w/o CPU, Memory, Storage

A base Cisco Compute Hyperconverged HCIXNX215c M8 All-NVMe Compute Node ordered in [Table 4](#) does not include any components or options. They must be selected during product ordering.

Please follow the steps on the following pages to order components such as the following, which are required in a functional Cisco Compute Hyperconverged Node:

- CPUs
- Memory
- Storage controller
- Drives
- Cisco adapters

## STEP 2 CHOOSE CPU(S)

The standard CPU features are:

- CPU-to-CPU communication using Infinity Fabric Interconnect
- Cache size of up to 512 MB
- Up to 160 cores
- Power: Up to 400Watts

### Select CPUs

The available 5th Gen. AMD EPYC™ processors are listed in [Table 5](#).



**CAUTION:** For systems configured with processors operating above 28° C [82.4° F], a fan fault or executing workloads with extensive use of heavy instructions sets may assert thermal and/or performance faults with an associated event recorded in the System Event Log (SEL).

Table 5 Available 5th Gen. AMD EPYC™ CPUs

Product ID (PID) <sup>1</sup>	Maximum Socket	Core	CPU Base Frequency	CPU Boost Frequency	Default TDP	Cache Size	Highest DDR5 DIMM Clock
	(S)	(C)	(GHz)	(GHz)	(W)	(MB)	(MT/s) <sup>2</sup>
<b>5th Gen EPYC 9005 Series Processors</b>							
HCIX-CPU-A9845	1S	160	2.10	3.70	390	320	6000
HCIX-CPU-A9825	1S	144	2.20	3.70	390	384	6000
HCIX-CPU-A9745	1S	128	2.40	3.70	400	256	6000
HCIX-CPU-A9655	2S	96	2.60	4.50	400	384	6000
HCIX-CPU-A9645 <sup>3</sup>	2S	96	2.30	3.70	320	256	6000
HCIX-CPU-A9565 <sup>3</sup>	2S	72	3.15	4.30	400	384	6000
HCIX-CPU-A9555	2S	64	3.20	4.40	360	256	6000
HCIX-CPU-A9535 <sup>3</sup>	2S	64	2.40	4.30	300	256	6000
HCIX-CPU-A9455 <sup>3</sup>	2S	48	3.15	4.40	300	256	6000
HCIX-CPU-A9365 <sup>3</sup>	2S	36	3.40	4.30	300	192	6000
HCIX-CPU-A9355	2S	32	3.55	4.40	280	256	6000
HCIX-CPU-A9335 <sup>3</sup>	2S	32	3.00	4.40	210	128	6000
HCIX-CPU-A9255 <sup>3</sup>	2S	24	3.20	4.30	200	128	6000
HCIX-CPU-A9135	2S	16	3.65	4.30	200	64	6000
HCIX-CPU-A9115 <sup>3</sup>	2S	16	2.60	4.10	125	64	6000
HCIX-CPU-A9015 <sup>3</sup>	2S	8	3.60	4.10	125	64	6000
HCIX-CPU-A9575F	2S	64	3.30	5.00	400	256	6000

Table 5 Available 5th Gen. AMD EPYC™ CPUs

Product ID (PID) <sup>1</sup>	Maximum Socket	Core	CPU Base Frequency	CPU Boost Frequency	Default TDP	Cache Size	Highest DDR5 DIMM Clock
	(S)	(C)	(GHz)	(GHz)	(W)	(MB)	(MT/s) <sup>2</sup>
HCIX-CPU-A9475F <sup>3</sup>	2S	48	3.65	4.80	400	256	6000
HCIX-CPU-A9375F <sup>3</sup>	2S	32	3.80	4.80	320	256	6000
HCIX-CPU-A9275F <sup>3</sup>	2S	24	4.10	4.80	320	256	6000
HCIX-CPU-A9175F <sup>3</sup>	2S	16	4.20	5.00	320	512	6000
HCIX-CPU-A9655P <sup>3</sup>	1S	96	2.60	4.50	400	384	6000
HCIX-CPU-A9555P <sup>3</sup>	1S	64	3.20	4.40	360	256	6000
HCIX-CPU-A9455P <sup>3</sup>	1S	48	3.15	4.40	300	256	6000
HCIX-CPU-A9355P <sup>3</sup>	1S	32	3.55	4.40	280	256	6000

Notes:

- Any CPU PID ending in “P” cannot be used in a 2-CPU system. They can only be used in a 1-CPU system. The X215c M8 is IO optimized for 1 CPU configurations. All storage and network options can be used with one CPU. X-Fabric options for connecting to PCIe nodes require a two CPU configuration.
- If higher or lower speed DIMMs are selected than what is shown in [Table 7 on page 15](#) for a given CPU speed, the DIMMs will be clocked at the lowest common denominator of CPU clock and DIMM clock.
- SKU available in Q2CY25

Supported Configurations

(1) One-CPU Configuration

- Choose one CPU from any one of the rows of [Table 5 on page 12](#).



NOTE: The X215 modular server will support only single-socket configurations with 144-core and 160-core CPUs due to the AHV limitation of a maximum of 256 cores

(2) Two-CPU Configuration

- Choose two identical CPUs from any one of the rows of [Table 5 on page 12](#).

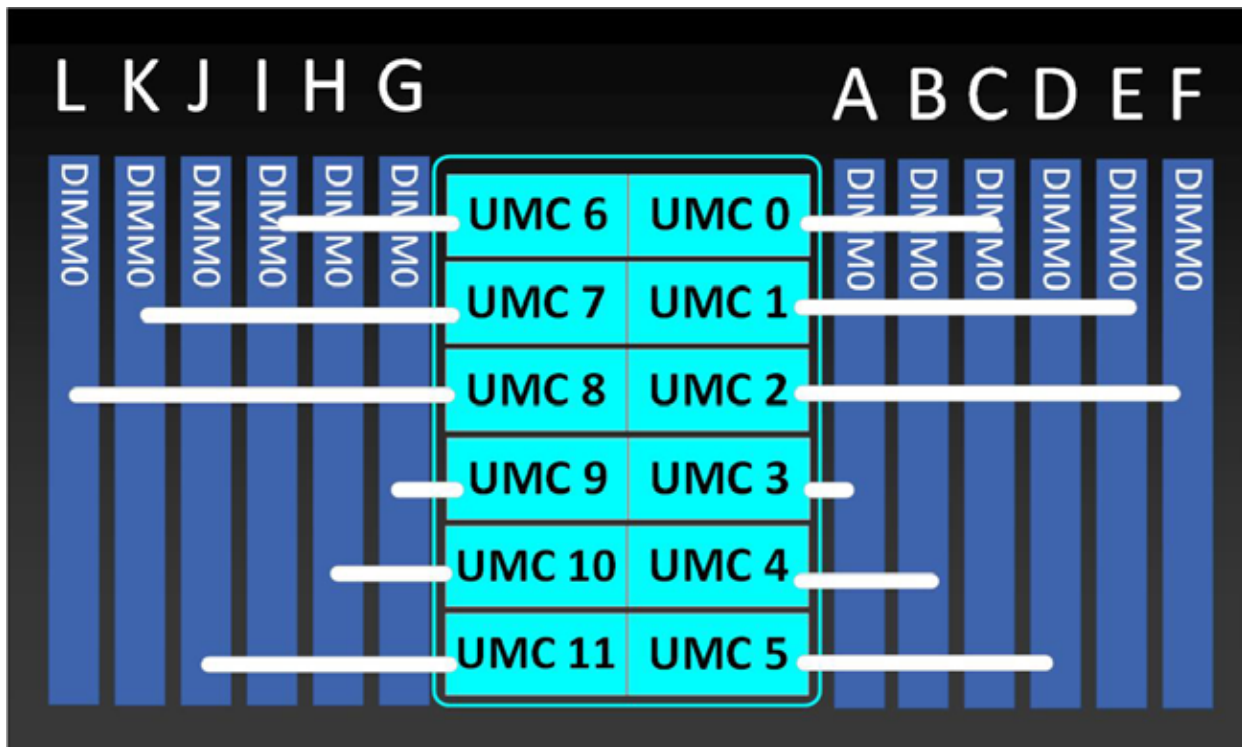
### STEP 3 CHOOSE MEMORY

The *Table 6* below describes the main memory DIMM features supported on Cisco Compute Hyperconverged HCIXNX215c M8 All-NVMe Compute Node.

Table 6 Server Main Memory Features

Memory DIMM server technologies	Description
DDR5 memory clock speed	5th Gen. AMD EPYC™ CPUs: Up to 6000 MT/s 1DPC
Operational voltage	1.1 Volts
DRAM fab density	16Gb, 24Gb, and 32Gb
DRAM DIMM type	RDIMM (Registered DDR5 DIMM)
Memory DIMM organization	Twelve memory DIMM channels per CPU; 1 DIMM per channel only
Maximum number of DRAM DIMM per server	Up to 24 (2-Socket)
DRAM DIMM Densities and Ranks	32GB 1Rx4, 64GB 2Rx4, 96GB 2Rx4, 128GB 2Rx4, 256GB 4Rx4
Maximum system capacity (DRAM DIMMs only)	6TB (24x256GB)

Figure 3 12-Channel Memory Organization



## Select DIMMs

The supported memory DIMMs are listed in [Table 7](#).



**NOTE:** All memory DIMMs must be Cisco DDR5-6400 memory PIDs, although the memory will operate at the maximum speed of the 5th Gen. AMD EPYC™ CPUs memory controller, up to 6000 MT/s.

**Table 7 Available DDR5 DIMMs**

Product ID (PID)	PID Description	Ranks/DIMM
<b>DDR5-6400 MT/s PIDs list<sup>1</sup></b>		
HCIX-MRX16G1RE5	16GB DDR5-6400 RDIMM 1Rx4 (16Gb)	1
HCIX-MRX32G1RE5	32GB DDR5-6400 RDIMM 1Rx4 (16Gb)	1
HCIX-MRX48G1RF5	48GB DDR5-6400RDIMM 1Rx4 (24Gb)	1
HCIX-MRX64G2RE5	64GB DDR5-6400 RDIMM 2Rx4 (16Gb)	2
HCIX-MRX96G2RF5	96GB DDR5-6400 RDIMM 2Rx4 (24Gb)	2
HCIX-MR128G2RG5	128GB DDR5-6400 RDIMM 2Rx4 (32Gb)	2
HCIX-MR256G4RG5	256GB DDR5-6400 RDIMM 4Rx4 (32Gb)	4
<b>DIMM Blank<sup>2</sup></b>		
UCSX-DIMM-BLK	UCS DIMM Blank	

### Notes:

1. If higher or lower speed DIMMs are selected than for a given CPU speed, the DIMMs will be clocked at the lowest common denominator of CPU clock and DIMM clock. check the [Table 5](#) column “Highest DDR5 DIMM Clock Support”
2. Any empty DIMM slot must be populated with a DIMM blank to maintain proper cooling airflow.

## Memory configurations and mixing rules

- **Golden Rule:** Memory on every CPU socket shall be configured identically.
- For full details on supported memory configurations see the [M8 Memory Guide](#).

## STEP 4 CHOOSE REAR mLOM ADAPTER

The Cisco Compute Hyperconverged HCIXNX215c M8 All-NVMe Compute Node must be ordered with a Cisco VIC mLOM Adapter. The adapter is located at the back and can operate in a single-CPU or dual-CPU configuration. [Table 8](#) shows the mLOM adapter choices.

Table 8 mLOM Adapters

Product ID (PID)	Description	Connection type	Compatibility/Functionality
HCIX-ML-V5D200GV2	Cisco VIC 15230 2x 100G mLOM X-Series w/Secure Boot	mLOM	<ul style="list-style-type: none"> <li>■ Supported with both IFM 25G and IFM 100G</li> <li>■ Operates at 4x 25G with both IFM 25G and IFM 100G</li> </ul>
HCIX-ML-V5Q50G	Cisco VIC 15420 4x25G secure boot mLOM for X Cisco Compute Hyperconverged Node	mLOM	<ul style="list-style-type: none"> <li>■ Supported with both IFM 25G and IFM 100G</li> <li>■ Operates at 4x 25G with both IFM 25G</li> <li>■ Operates at 2x 25G with IFM 100G</li> </ul>



**NOTE:**

- The mLOM adapter is mandatory for the Ethernet connectivity to the network by means of the IFMs and has x16 PCIe Gen4 connectivity with Cisco VIC 15420 or x16 Gen4 connectivity with Cisco VIC 15230 towards the CPU1.
- There is no backplane in the Cisco Compute Hyperconverged 9508 chassis; thus, the Cisco Compute Hyperconverged Nodes directly connect to the IFMs using Orthogonal Direct connectors.
- [Figure 4](#) shows the location of the mLOM and rear mezzanine adapters on the Cisco Compute Hyperconverged HCIXNX215c M8 All-NVMe Compute Node. The bridge adapter connects the mLOM adapter to the rear mezzanine adapter.

Figure 4 Location of mLOM and Rear Mezzanine Adapters

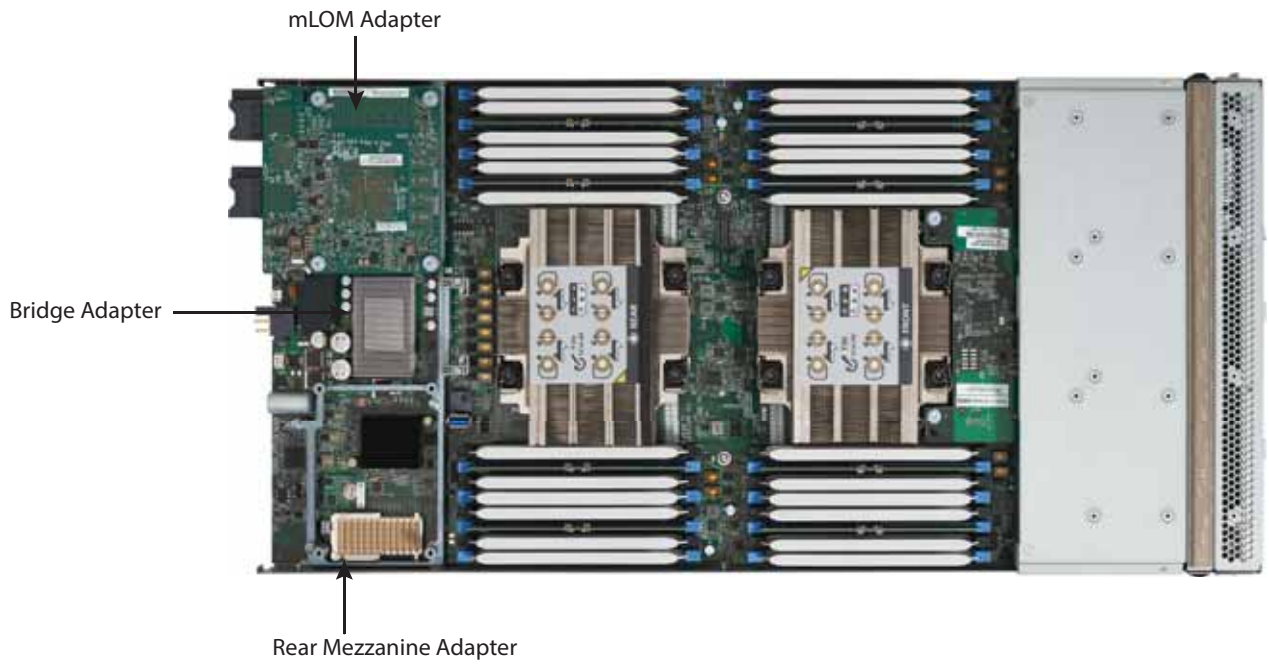


Figure 5 shows the network connectivity from the mLOM out to the 25G IFMs.

Figure 5 Network Connectivity 25G IFMs

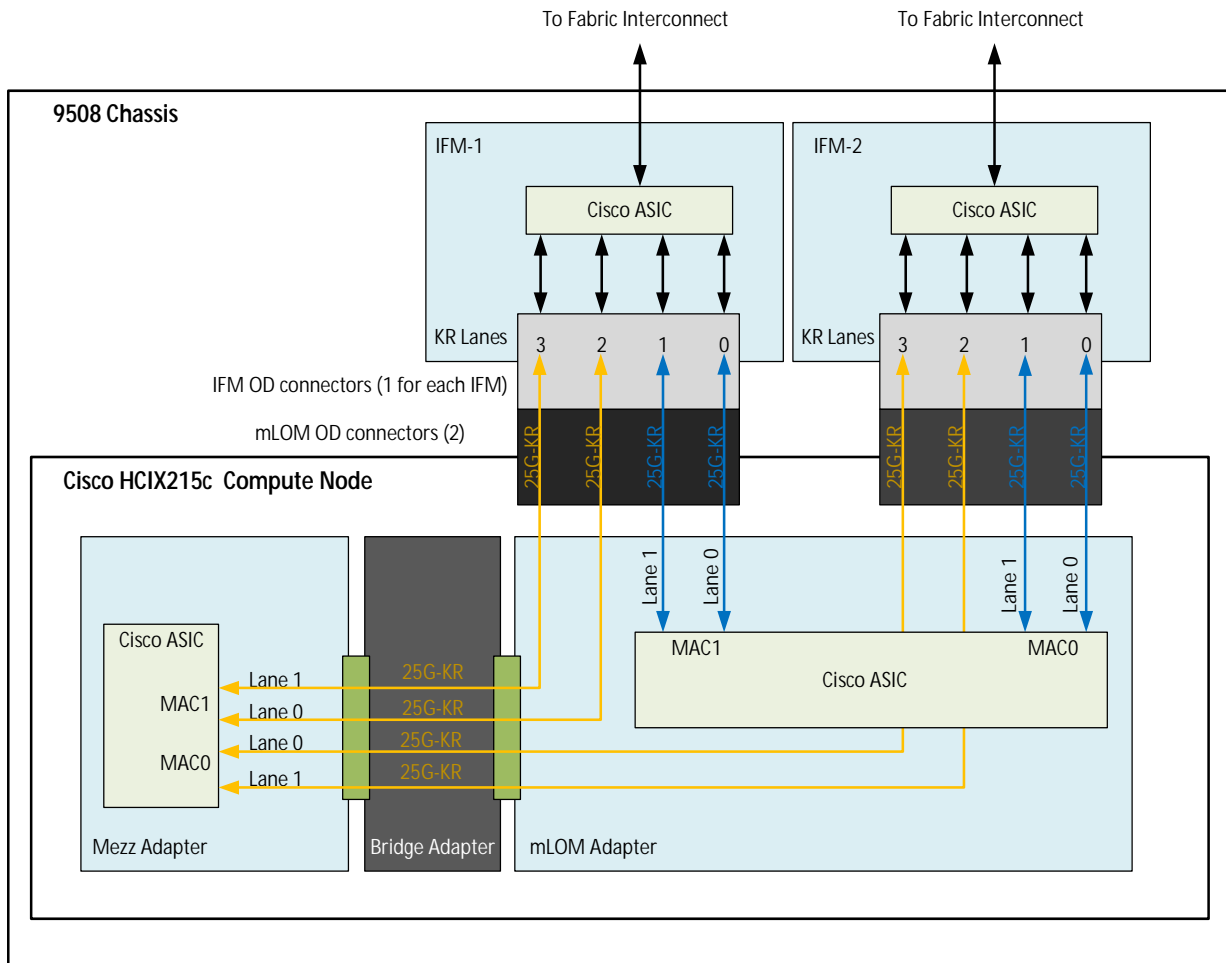
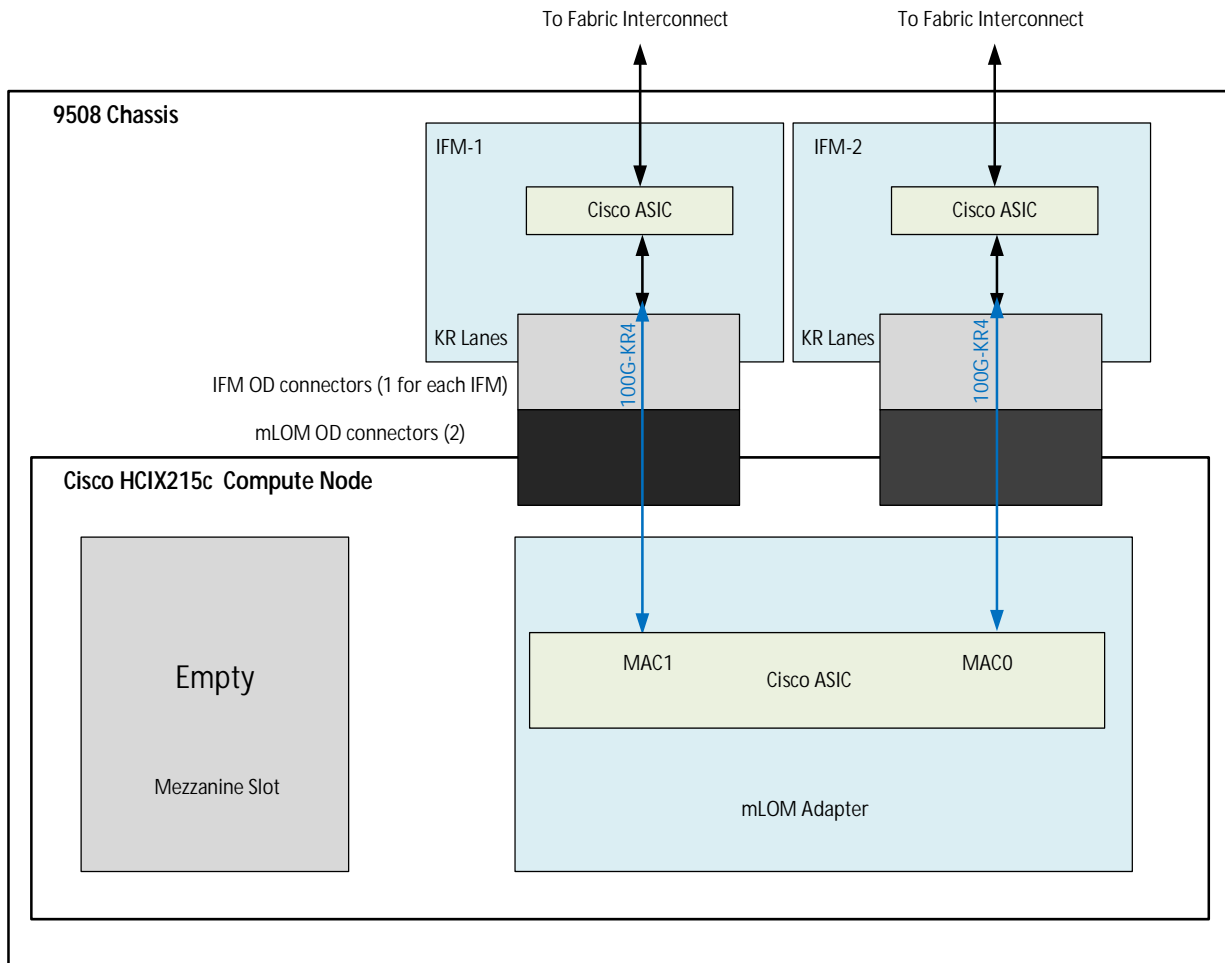


Figure 6 shows the network connectivity from the mLOM out to the 100G IFMs.

Figure 6 Network Connectivity 100G IFMs



## STEP 5 CHOOSE OPTIONAL REAR MEZZANINE VIC/BRIDGE ADAPTERS

The Cisco Compute Hyperconverged HCIXNX215c M8 All-NVMe Compute Node has one rear mezzanine adapter connector which can have a VIC 15422 Mezz card that can be used as a second VIC card on the Cisco Compute Hyperconverged Node for network connectivity or as a connector to the X440p PCIe node via X-Fabric modules. The same mezzanine slot on the Cisco Compute Hyperconverged Node can also accommodate a pass-through mezzanine adapter for X-Fabric which enables Cisco Compute Hyperconverged Node connectivity to the X440p PCIe node. Refer to [Table 9](#) for supported adapters.

Table 9 Available Rear Mezzanine Adapters

Product ID (PID)	PID Description	CPUs Required	Connector Type
<b>Cisco VIC Card</b>			
HCIX-V4-PCIME	PCI Mezz Card for X-Fabric	2 CPUs required	Rear Mezzanine connector on motherboard
HCIX-ME-V5Q50G	VIC 15422 4x25G secure boot mezz for X Cisco Compute Hyperconverged Node	2 CPUs required	Rear Mezzanine connector on motherboard
<b>Cisco VIC Bridge Card<sup>1,2</sup></b>			
UCSX-V5-BRIDGE=	VIC 15000 bridge to connect mLOM and mezz X Cisco Compute Hyperconverged Node  (This bridge to connect the Cisco VIC 15420 mLOM and Cisco VIC 15422 Mezz for the HCIXNX215c M8 All-NVMe Compute Node)	2 CPUs required	One connector on Mezz card and one connector on mLOM card

**Notes:**

1. Included with the Cisco VIC 15422 mezzanine adapter.
2. This bridge connects the Cisco VIC mLOM and Cisco VIC Mezzanine adapters for the compute node



**NOTE:** The rear mezzanine card for X-Fabric has PCIe Gen4 x16 connectivity towards each CPU1 and CPU2. Additionally, the rear mezzanine card also provides two PCIe Gen4 x16 to each X-fabric. This rear mezzanine card enables connectivity from the compute node to the X440p PCIe node.

Table 10 Throughput Per HCIXNX215c M8 All-NVMe Compute Node

HCIX215c M8 Cisco Compute Hyperconverged Node	FI-6536 + X9108-IFM-100G	FI-6536/6400 + X9108-IFM-25G	FI-6536 + X9108-IFM-25G/100G or FI-6400 + X9108-IFM-25G	FI-6536 + X9108-IFM-25G/100G or FI-6400 + X9108-IFM-25G	
X215c configuration	VIC 15230	VIC 15230	VIC 15420	VIC 15420 + VIC 15422	
Throughput per node	200G (100G per IFM)	100G (50G per IFM)	100G (50G per IFM)	200G (100G per IFM)	
vNICs needed for max BW	2	2	2	4	
KR connectivity from VIC to each IFM	1x 100GKR	2x 25GKR	2x 25GKR	4x 25GKR	
Single vNIC throughput on VIC	100G (1x100GKR)	50G (2x25G KR)	50G (2x25G KR)	50G (2x25G KR)	50G (2x25G KR)
Max Single flow BW per vNIC	100G	25G	25G	25G	25G
Single vHBA throughput on VIC	100G	50G	50G	50G	50G

Supported Configurations

- A mLOM VIC from [Table 8](#) is always required.
- If a rear mezzanine VIC card is installed, a VIC bridge card is included and connects the mLOM to the mezzanine adapter.
- The rear mezzanine card has Ethernet connectivity to the IFM using the VIC bridge card and has a PCIe Gen4 x16 connectivity towards CPU2. Additionally, the rear mezzanine card also provides two PCIe Gen4 x16 to each X-fabric.
- All the connections to Cisco X-Fabric 1 and Cisco X-Fabric 2 are through the molex orthogonal direct (OD) connector on the mezzanine card.
- The rear mezzanine card has 32 x16PCIe lanes to each Cisco X-Fabric for I/O expansion to enable resource consumption from the PCIe resource nodes.

## STEP 6 CHOOSE FRONT MEZZANINE ADAPTER

The Cisco Compute Hyperconverged HCIXNX215c M8 All-NVMe Compute Node has one front mezzanine connector that can accommodate one of the following mezzanine cards:

The available Mezzanine Adapters are listed in [Table 11](#)



**NOTE:** The Cisco Compute Hyperconverged HCIXNX215c M8 All-NVMe Compute Node can be ordered with or without the front mezzanine adapter. Refer to [Table 11 Available Front Mezzanine Adapters](#)

Table 11 Available Front Mezzanine Adapters

Product ID(PID)	PID Description	Connector Type
HCIX-X10C-PT4F	Cisco Compute Hyperconverged HCIXNX215c M8 All-NVMe Compute Node compute pass through controller for up to 6 NVMe drives	Front Mezzanine
HCIX-X10C-PTE3	HCI X10c Compute Pass Through Controller for E3.S (Front)	Front Mezzanine

### Supported Configurations

- (HCIX-X10C-PT4F) supports up to six NVMe U.2/U.3 drives.
- (HCIX-X10C-PTE3) supports up to eight E3.S PCIe NVMe drives.

## STEP 7 CHOOSE OPTIONAL GPU PCIe NODE

Select GPU PCIe Node

---



NOTE: If PCIe Node is selected, then rear mezzanine is required.

---

Table 12 GPU PCIe Node

Product ID(PID)	PID Description
HCIX-440P	UCS X-Series Gen4 PCIe node



NOTE:

The available PCIe node GPU options are listed in:

- For the supported GPU card supported on the x440P PCIe Node is listed on the <https://www.cisco.com/c/dam/en/us/products/collateral/hyperconverged-infrastructure/compute-hyperconverged-nutanix/compute-hyperconverged-440p-pcie-node-ds.pdf> , Step 3, Order GPU Cards.
-

## STEP 8 CHOOSE DRIVES

The available drives are listed in [Table 13](#).



**NOTE:**

- Drive slot 5 is not supported for E3.S drives on the compute node and must include a drive filler (UCSC-E3S1T-F)

**Table 13 Available Capacity Drives**

Product ID (PID)	PID Description	Drive Type	Capacity
<b>Capacity Drive</b>			
HCIX-NVMEG4-M6400	6.4TB 2.5in U.3 Micron P7450 NVMe High Perf High Endurance	U.3 NVMe	6.4 TB
HCIX-NVMEG4-M7680	7.6TB 2.5in U.3 15mm P7450 Hg Perf Med End NVMe	U.3 NVMe	7.6 TB
HCIX-NVMEG4-M1536	15.3TB 2.5in U.3 15mm P7450 Hg Perf Med End NVMe	U.3 NVMe	15.3 TB
HCIX-NVB1T9M2V	1.9TB 2.5in U.3 15mm Micron 7500 Hg Perf Med End 1X NVMe	U.3 NVMe	1.9 TB
HCIX-NVB3T8M2V	3.8TB 2.5in U.3 15mm Micron 7500 Hg Perf Med End 1X NVMe	U.3 NVMe	3.8 TB
HCIX-NVB7T6M2V	7.6TB 2.5in U.3 15mm Micron 7500 Hg Perf Med End 1X NVMe	U.3 NVMe	7.6 TB
HCIX-NVB15T3M2V	15.3TB 2.5in U.3 15mm Micron 7500 Hg Perf Med End 1X NVMe	U.3 NVMe	15.3 TB
HCIX-NVE11T9K1V	1.9TB E3.S1T KCD8XPJE HgPerf MedEnd Gen5 1X NVMe (SIE SCEF)	E3.S NVMe	1.9 TB
HCIX-NVE13T8K1V	3.8TB E3.S1T KCD8XPJE HgPerf MedEnd Gen5 1X NVMe (SIE SCEF)	E3.S NVMe	3.8 TB
HCIX-NVE17T6K1V	7.6TB E3.S1T KCD8XPJE HgPerf MedEnd Gen5 1X NVMe (SIE SCEF)	E3.S NVMe	7.6 TB
HCIX-NVE115T3K1V	15.3TB E3.S1T KCD8XPJE HgPerf MedEnd Gen5 1X NVMe (SIE SCEF)	E3.S NVMe	15.3 TB

### Approved Configurations

- Three to eight E3.S NVMe capacity drives or
- Three to six U.3 NVMe capacity drives

### Caveats

- E3.S NVMe and U.3 NVMe drives can not be mixed.

## STEP 9 ORDER M.2 BOOT RAID CONTROLLER and SATA SSDs

- Cisco 6GB/s SATA Boot-Optimized M.2 RAID Controller (included): Boot-Optimized RAID controller (UCSX-M2-HWRD-FPS) for hardware RAID across two SATA M.2 storage modules. The Boot-Optimized RAID controller plugs into the motherboard and the M.2 SATA drives plug into the Boot-Optimized RAID controller.



### NOTE:

- The HCIX-M2-HWRD-FPS is auto included with the server configuration
- The HCIX-M2-HWRD-FPS controller supports RAID 1 and JBOD mode
- Cisco IMM is supported for configuring of volumes and monitoring of the controller and installed SATA M.2 drives
- Hot-plug replacement is not supported. The Cisco Compute Hyperconverged Node must be powered off to replace.
- The Boot-Optimized RAID controller supports Windows and Linux Operating Systems

Table 14 Boot-Optimized RAID controller (auto included)

Product ID (PID)	PID Description
HCIX-M2-HWRD-FPS	HCIX Front panel with M.2 RAID controller for SATA drives

- Select Cisco M.2 SATA SSDs: Order two matching M.2 SATA SSDs. This connector accepts the boot-optimized RAID controller (see [Table 14](#)). Each boot-optimized RAID controller can accommodate two SATA M.2 SSDs shown in [Table 15](#).



### NOTE:

- Each boot-optimized RAID controller can accommodate two SATA M.2 SSDs shown in [Table 15](#). The boot-optimized RAID controller plugs into the motherboard.
- It is recommended that M.2 SATA SSDs be used as boot-only devices.
- The SATA M.2 drives can boot in UEFI mode only. Legacy boot mode is not supported.

Table 15 M.2 SATA SSDs

Product ID (PID)	PID Description	Drive Type	Capacity
HCIX-M2-480G	480GB M.2 SATA SSD	SATA	480GB
HCIX-M2-960G	960GB 2.5in M.2 SATA Micron G2 SSD	SATA	960GB
HCIX-M2480A1V	480GB M.2 Boot Solidigm S4520 SATA 1X SSD	SATA	480GB

## STEP 10 CHOOSE OPTIONAL TRUSTED PLATFORM MODULE

Trusted Platform Module (TPM) is a computer chip or microcontroller that can securely store artifacts used to authenticate the platform or Cisco Compute Hyperconverged HCIXNX215c M8 All-NVMe Compute Node. These artifacts can include passwords, certificates, or encryption keys. A TPM can also be used to store platform measurements that help ensure that the platform remains trustworthy. Authentication (ensuring that the platform can prove that it is what it claims to be) and attestation (a process helping to prove that a platform is trustworthy and has not been breached) are necessary steps to ensure safer computing in all environments.

Table 16 Available TPM Option

Product ID (PID)	Description
HCIX-TPM2-002D	TPM 2.0 FIPS 140-2 MSW2022 compliant AMD M8 servers
HCI-TPM-OPT-OUT <sup>1</sup>	OPT OUT, TPM 2.0, TCG, FIPS140-2, CC EAL4+ Certified

**Notes:**

1. Please note Microsoft certification requires a TPM 2.0 for bare-metal or guest VM deployments. Opt-out of the TPM 2.0 voids the Microsoft certification.



**NOTE:**

- The TPM module used in this system conforms to TPM v2.0 as defined by the Trusted Computing Group (TCG).
- TPM installation is supported after-factory. However, a TPM installs with a one-way screw and cannot be replaced, upgraded, or moved to another Cisco Compute Hyperconverged Node. If a Cisco Compute Hyperconverged HCIXNX215c M8 All-NVMe Compute Node with a TPM is returned, the replacement Cisco Compute Hyperconverged HCIXNX215c M8 All-NVMe Compute Node must be ordered with a new TPM. If there is no existing TPM in the Cisco Compute Hyperconverged HCIXNX215c M8 All-NVMe Compute Node, you can install a TPM 2.0. Refer to the following document for Installation location and instructions: [Cisco UCS X215c M8 Server Installation and Service Guide](#)

## STEP 11 SELECT HYPERVISOR

Cisco Hypervisor options are listed in [Table 17](#).

Table 17 Hypervisor

Product ID (PID)	Description
HCIX-AOSAHV-73SWK9	Cisco Compute Hyperconverged Acropolis Operating System (AOS) Acropolis Hypervisor (AHV) 7.3 Software
HCI-AOSAHV-NO-OS	HCI AOS AHV No OS Factory Install-Special Approval Required

# CONFIGURING THE CISCO COMPUTE-ONLY (CO) NODE SERVER

Cisco Compute-Only (CO) nodes serve two purposes: expanding hyperconverged node or connecting to external storage like Everpure Flash Array

## A) Expanding Cisco Compute Hyperconverged node cluster with Compute-Only (CO) node:

Cisco's Compute-Only (CO) node solution enables you to expand the compute resources of Cisco Hyperconverged cluster running Nutanix by adding UCS certified servers without additional storage. These storage-less, Cisco certified Compute-Only (CO) servers integrate seamlessly into your existing or new hyperconverged Nutanix cluster, allowing organizations to efficiently support CPU-intensive applications by scaling processing resources independently of storage infrastructure.

Key benefits:

- Cost-effective scaling for compute-heavy workloads
- Flexibility in cluster design

Table 18 Minimum Cluster Requirements For Compute-Only (CO) Nodes

Cluster Attributes	Hyperconverged node with Compute-Only (CO) node
Number of nodes	Minimum 3 HCI nodes and minimum 2 CO nodes
Nodes Ratio	Nutanix recommends the following nodes ratio: 1 CO : 2 HCI (Default) 1 CO : 1 HCI (This is supported only when the total number of VMs is less than or equal to 128 times the number of HCI nodes)
Hypervisor specification	<ul style="list-style-type: none"> <li>■ Hyperconverged Node: AHV only</li> <li>■ Compute-Only (CO) Node: AHV only</li> </ul>
Licensing: Expanding Cisco HCI cluster with Compute-Only (CO) nodes	<ul style="list-style-type: none"> <li>■ NCI licenses on a per-core basis.</li> <li>■ For more information about NCI licenses, see NCI section in <a href="#">Nutanix Cloud Platform Software Options</a></li> </ul>
Nutanix Cloud Platform Software	Same as Cisco Compute Hyperconverged with Nutanix.

Delivering performance, versatility and density without compromise, the Cisco Compute-Only (CO) Node addresses the broadest set of workloads.

## B) Cisco Compute-Only (CO) node connected to Everpure Flash Array (Flashstack with Nutanix)

Everpure® FlashArray//X™ and FlashArray//XL™ delivers mission-critical performance with the efficiency and resiliency that’s missing from legacy arrays. FlashArray //X and FlashArray//XL™ packs more IOPS, ultra consistent latency, and greater scale into a smaller footprint. Non-disruptive upgrades, always-on availability, and built-in data protection ensure workloads are always running while cutting risk. FlashArray//XL is designed to provide the highest performance density with a level of operational and management simplicity. FlashArray//C™ delivers a balanced all-flash storage solution optimized for file services and general-purpose workloads. With predictable performance, streamlined operations, and built-in cyber resiliency, it keeps applications consistently secure and positions organizations to outperform capacity-optimized, all-flash, and hybrid storage alternatives.

Nutanix Cloud Platform (NCP) consolidates computing, storage, and networking into a unified pool. It uses AOS for storage, AHV for virtualization, and Prism Central for centralized management across environments.

The Cisco Compute-Only (CO) node with Nutanix Cloud Platform (NCP) and Everpure FlashArray solution delivers a disaggregated infrastructure architecture that enables independent scaling of compute and storage resources. This solution combines industry-standard Cisco Compute-Only (CO) node servers running Nutanix AHV and AOS connected to external Everpure. The FlashStack solution with Nutanix integration provides organizations with the agility to adapt infrastructure resources dynamically while maintaining enterprise-level reliability and performance.

**Key Benefits:**

- Independent Scalability: Scale compute and storage resources separately based on workload demands
- Enterprise-Grade Protection: Built-in data protection and disaster recovery capabilities
- Hybrid Cloud Ready: Seamlessly extend operations across on-premises and cloud environments

Investment protection - enables using Nutanix Cloud Platform with existing storage.

**Table 19 Minimum Cluster Requirements For Compute-Only (CO) Nodes**

Attributes	Cisco Compute-Only (CO) node connected to Everpure FlashArray
Cisco Compute-Only (CO) nodes.	Nutanix Foundation allocates the following minimum resources to the CVM: <ul style="list-style-type: none"> <li>■ CVM logical cores: 16</li> <li>■ CPU physical cores per Socket: 16</li> <li>■ vRAM (in GiB): 32</li> </ul> (Please leverage Nutanix Sizer for all customer workload sizing.) <ul style="list-style-type: none"> <li>■ M.2 boot drives with M.2 RAID controller (A minimum 480GB is recommended)</li> <li>■ Storage protocol: NVMe over Fabric (NVMeoF) over TCP</li> <li>■ 25Gb Ethernet network connection recommended between Cisco Nutanix Compute cluster and Everpure FlashArray (10Gb will be supported)</li> <li>■ Minimum 3 CO nodes</li> </ul>
Hypervisor	AHV only
Management	Intersight Management Mode (IMM)
Everpure	FlashArray //X, FlashArray //XL, and FlashArray //C
Nutanix Cloud Platform Software	Supported Nutanix Software: <ul style="list-style-type: none"> <li>■ Nutanix Cloud Infrastructure (NCI)</li> <li>■ Nutanix Cloud Manager (NCM)</li> <li>■ Nutanix Cloud Platform (NCP)</li> <li>■ Nutanix Kubernetes Platform (NKP)</li> </ul>

Table 19 Minimum Cluster Requirements For Compute-Only (CO) Nodes

Attributes	Cisco Compute-Only (CO) node connected to Everpure FlashArray
Licensing:	<ul style="list-style-type: none"> <li>■ Nutanix Cloud Infrastructure (NCI) licenses on a per-core basis.</li> <li>■ Nutanix Cloud Infrastructure - Compute (NCI-C) (2000 cores minimum)</li> <li>■ For more information about NCI licenses, see NCI section in <a href="#">Nutanix Cloud Platform Software Options</a></li> </ul>



**WARNING:** Cisco Compute-Only (CO) nodes connected to Everpure Flash Array do not support Virtual Desktop Infrastructure (VDI) solution

The Cisco Compute Hyperconverged HCOXNX215C M8 All-NVMe Compute Node harnesses the power of the AMD EPYC™ Series Processors, and refer to the [BASE SERVER STANDARD CAPABILITIES and FEATURES on page 8](#).



**WARNING:** The servers can be interconnected and managed in Intersight Managed mode only.

- The nodes are connected to a pair of Cisco UCS 6400 Series or a pair of Cisco UCS 6500 Series interconnects that are entirely managed from Intersight (SaaS, PVA or CVA).
- All Servers are connected to the same pair of fabric interconnect.

Follow these steps to configure the server:

[STEP 1 CHOOSE BASE CISCO COMPUTE-ONLY \(CO\) NODE SKU, page 31](#)

[STEP 2 DEPLOYMENT TYPE, page 32](#)

[STEP 3 MANAGMENT MODE, page 33](#)

[STEP 4 CHOOSE CPU\(S\), page 34](#)

[STEP 5 CHOOSE MEMORY, page 36](#)

[STEP 6 CHOOSE REAR mLOM ADAPTER, page 38](#)

[STEP 7 CHOOSE OPTIONAL REAR MEZZANINE VIC/BRIDGE ADAPTERS, page 42](#)

[STEP 8 CHOOSE OPTIONAL GPU PCIe NODE, page 44](#)

[STEP 9 ORDER M.2 DRIVES, page 45](#)

[STEP 10 CHOOSE OPTIONAL TRUSTED PLATFORM MODULE, page 46](#)

[SELECT NUTANIX SOFTWARE AND NUTANIX PROFESSIONAL SERVICES, page 47](#)

[SELECT GUEST VM OPERATING SYSTEM LICENSES, page 121](#)

## STEP 1 CHOOSE BASE CISCO COMPUTE-ONLY (CO) NODE SKU

Top Level ordering product ID (PID) shown in [Table 20](#).

Table 20 Top level ordering PID

Product ID (PID)	Description
HCIX-M8-NTNX-MLB	Cisco Compute Hyperconverged and Compute-Only M8 with Nutanix MLB

Select the base product ID (PID) from the [Table 21](#).

Table 21 PID of the Base Cisco Compute Hyperconverged HCIXNX215c M8 All-NVMe Compute Node

Product ID (PID)	Description
HCOXNX215C-M8SN	Cisco Compute Only Node w/o CPU,Memory,Storage
HCOXNX215C-M8SN-U	Cisco Compute Only Node w/o CPU,Memory,Storage

The Cisco HCOXNX215C M8 Compute-Only (CO) node server:

- Does not include power supply, CPU, memory, M.2 drives, SD cards, riser 1, riser 2, riser 3, tool-less rail kit, or PCIe cards.
- Use the steps on the following pages to configure the server with the components that you want to include.

## STEP 2 DEPLOYMENT TYPE

- The available deployment type are listed in [Table 22](#).

Table 22 Deployment Type

Product ID (PID)	Description
HCO-HCI-IMM	Compute Only Nodes with Hyperconverged in IMM Mode
HCO-EXTSTG-IMM	Compute Only Nodes with External Storage in IMM Mode



**NOTE:**

- HCO-HCI-IMM - This covers expanding a Cisco Compute Hyperconverged node cluster by adding Compute-Only (CO) nodes. The CO node solution allows you to scale compute resources in your Cisco Hyperconverged cluster running Nutanix by adding UCS certified servers without requiring additional storage.
- HCO-EXTSTG-IMM - This addresses scenarios where customers need to connect Everpure FlashArray as external storage to Cisco Compute-Only (CO) nodes.

### STEP 3 MANAGMENT MODE

The servers can be interconnected and managed in Intersight Managed mode only:

- The nodes are connected to a pair of Cisco UCS 6400 or 6500 or 6600 Series Fabric Interconnects that are entirely managed from Intersight (SaaS, PVA or CVA).
- All Servers are connected to the same pair of fabric interconnect.
  - **Cluster Scale and Limits**

Table 23 Hyperconverged (HCI) node with Compute-Only (CO) node Cluster scale and limits

Hyperconverged (HCI) node with Compute-Only (CO) node	Limit
	Intersight Managed (IMM)
Min. Cluster Size	Minimum 3 HCI nodes and minimum 2 CO nodes
Max. Cluster Size	32
Initial cluster deployment /Node preparation for expansion	16
Cluster expansion	8 at a time
Number of parallel deployments in FC	32

Table 24 Cisco Compute-Only (CO) node connected to Everpure FlashArray Cluster scale and limits

Cisco Compute-Only (CO) node connected to Everpure FlashArray	Limit
	Intersight Managed (IMM)
Min. Cluster Size	3 Compute-Only nodes
Max. Cluster Size	32
Initial cluster deployment /Node preparation for expansion	16
Cluster expansion	8 at a time
Number of parallel deployments in FC	32

## STEP 4 CHOOSE CPU(S)

The standard CPU features are:

- CPU-to-CPU communication using Infinity Fabric Interconnect
- Cache size of up to 512 MB
- Up to 160 cores
- Power: Up to 400Watts

### Select CPUs

The available 5th Gen. AMD EPYC™ processors are listed in [Table 25](#).



**CAUTION:** For systems configured with processors operating above 28° C [82.4° F], a fan fault or executing workloads with extensive use of heavy instructions sets may assert thermal and/or performance faults with an associated event recorded in the System Event Log (SEL).

Table 25 Available 5th Gen. AMD EPYC™ CPUs

Product ID (PID) <sup>1</sup>	Maximum Socket	Core	CPU Base Frequency	CPU Boost Frequency	Default TDP	Cache Size	Highest DDR5 DIMM Clock
	(S)	(C)	(GHz)	(GHz)	(W)	(MB)	(MT/s) <sup>2</sup>
<b>5th Gen EPYC 9005 Series Processors</b>							
HCIX-CPU-A9845	1S	160	2.10	3.70	390	320	6000
HCIX-CPU-A9825	1S	144	2.20	3.70	390	384	6000
HCIX-CPU-A9745	1S	128	2.40	3.70	400	256	6000
HCIX-CPU-A9655	2S	96	2.60	4.50	400	384	6000
HCIX-CPU-A9645 <sup>3</sup>	2S	96	2.30	3.70	320	256	6000
HCIX-CPU-A9565 <sup>3</sup>	2S	72	3.15	4.30	400	384	6000
HCIX-CPU-A9555	2S	64	3.20	4.40	360	256	6000
HCIX-CPU-A9535 <sup>3</sup>	2S	64	2.40	4.30	300	256	6000
HCIX-CPU-A9455 <sup>3</sup>	2S	48	3.15	4.40	300	256	6000
HCIX-CPU-A9365 <sup>3</sup>	2S	36	3.40	4.30	300	192	6000
HCIX-CPU-A9355	2S	32	3.55	4.40	280	256	6000
HCIX-CPU-A9335 <sup>3</sup>	2S	32	3.00	4.40	210	128	6000
HCIX-CPU-A9255 <sup>3</sup>	2S	24	3.20	4.30	200	128	6000
HCIX-CPU-A9135	2S	16	3.65	4.30	200	64	6000
HCIX-CPU-A9115 <sup>3</sup>	2S	16	2.60	4.10	125	64	6000
HCIX-CPU-A9015 <sup>3</sup>	2S	8	3.60	4.10	125	64	6000
HCIX-CPU-A9575F	2S	64	3.30	5.00	400	256	6000

Table 25 Available 5th Gen. AMD EPYC™ CPUs

Product ID (PID) <sup>1</sup>	Maximum Socket	Core	CPU Base Frequency	CPU Boost Frequency	Default TDP	Cache Size	Highest DDR5 DIMM Clock
	(S)	(C)	(GHz)	(GHz)	(W)	(MB)	(MT/s) <sup>2</sup>
HCIX-CPU-A9475F <sup>3</sup>	2S	48	3.65	4.80	400	256	6000
HCIX-CPU-A9375F <sup>3</sup>	2S	32	3.80	4.80	320	256	6000
HCIX-CPU-A9275F <sup>3</sup>	2S	24	4.10	4.80	320	256	6000
HCIX-CPU-A9175F <sup>3</sup>	2S	16	4.20	5.00	320	512	6000
HCIX-CPU-A9655P <sup>3</sup>	1S	96	2.60	4.50	400	384	6000
HCIX-CPU-A9555P <sup>3</sup>	1S	64	3.20	4.40	360	256	6000
HCIX-CPU-A9455P <sup>3</sup>	1S	48	3.15	4.40	300	256	6000
HCIX-CPU-A9355P <sup>3</sup>	1S	32	3.55	4.40	280	256	6000

Notes:

1. Any CPU PID ending in “P” cannot be used in a 2-CPU system. They can only be used in a 1-CPU system. The X215c M8 is IO optimized for 1 CPU configurations. All storage and network options can be used with one CPU. X-Fabric options for connecting to PCIe nodes require a two CPU configuration.
2. If higher or lower speed DIMMs are selected than what is shown in [Table 27 on page 37](#) for a given CPU speed, the DIMMs will be clocked at the lowest common denominator of CPU clock and DIMM clock.
3. SKU available in Q2CY25

Supported Configurations

(1) One-CPU Configuration

- Choose one CPU from any one of the rows of [Table 25](#).



NOTE: The X215 modular server will support only single-socket configurations with 144-core and 160-core CPUs due to the AHV limitation of a maximum of 256 cores

(2) Two-CPU Configuration

- Choose two identical CPUs from any one of the rows of [Table 25](#).

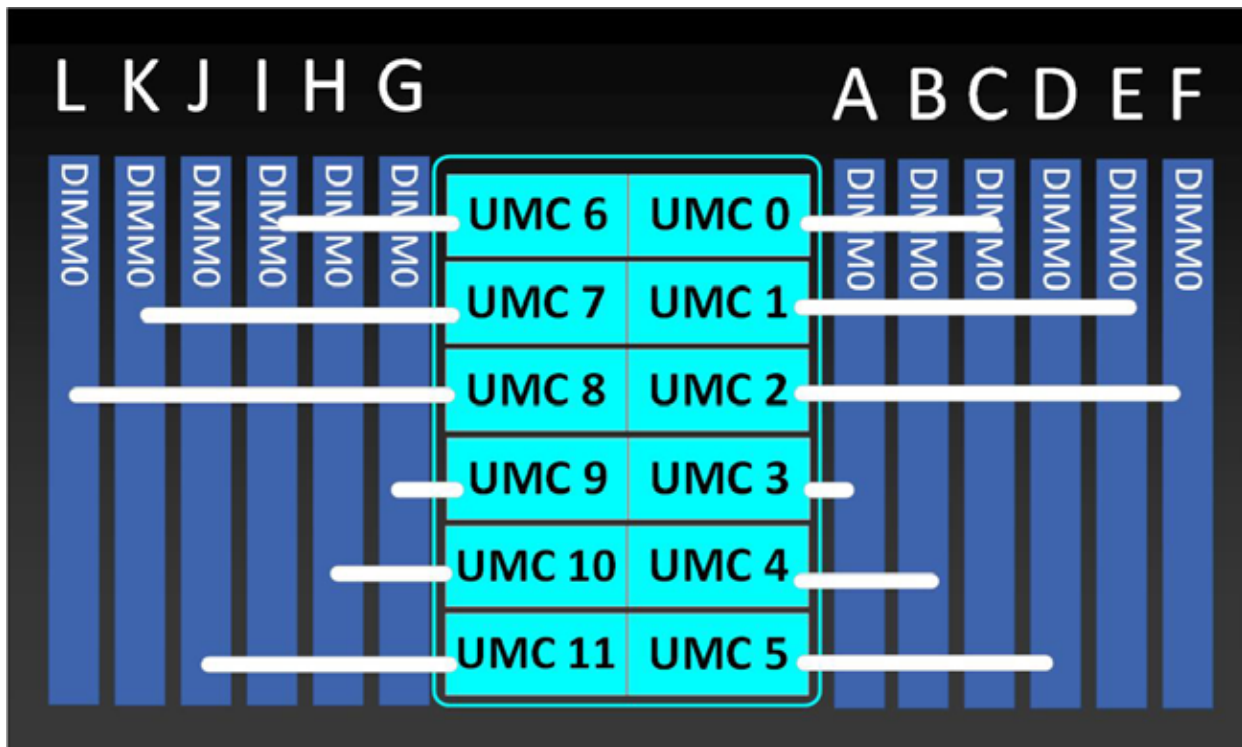
## STEP 5 CHOOSE MEMORY

The *Table 26* below describes the main memory DIMM features supported on Compute Node.

Table 26 Server Main Memory Features

Memory DIMM server technologies	Description
DDR5 memory clock speed	5th Gen. AMD EPYC™ CPUs: Up to 6000 MT/s 1DPC
Operational voltage	1.1 Volts
DRAM fab density	16Gb, 24Gb, and 32Gb
DRAM DIMM type	RDIMM (Registered DDR5 DIMM)
Memory DIMM organization	Twelve memory DIMM channels per CPU; 1 DIMM per channel only
Maximum number of DRAM DIMM per server	Up to 24 (2-Socket)
DRAM DIMM Densities and Ranks	32GB 1Rx4, 64GB 2Rx4, 96GB 2Rx4, 128GB 2Rx4, 256GB 4Rx4
Maximum system capacity (DRAM DIMMs only)	6TB (24x256GB)

Figure 7 12-Channel Memory Organization



## Select DIMMs

The supported memory DIMMs are listed in [Table 27](#).



**NOTE:** All memory DIMMs must be Cisco DDR5-6400 memory PIDs, although the memory will operate at the maximum speed of the 5th Gen. AMD EPYC™ CPUs memory controller, up to 6000 MT/s.

Table 27 Available DDR5 DIMMs

Product ID (PID)	PID Description	Ranks/DIMM
DDR5-6400 MT/s PIDs list <sup>1</sup>		
HCIX-MRX16G1RE5	16GB DDR5-6400 RDIMM 1Rx4 (16Gb)	1
HCIX-MRX32G1RE5	32GB DDR5-6400 RDIMM 1Rx4 (16Gb)	1
HCIX-MRX48G1RF5	48GB DDR5-6400RDIMM 1Rx4 (24Gb)	1
HCIX-MRX64G2RE5	64GB DDR5-6400 RDIMM 2Rx4 (16Gb)	2
HCIX-MRX96G2RF5	96GB DDR5-6400 RDIMM 2Rx4 (24Gb)	2
HCIX-MR128G2RG5	128GB DDR5-6400 RDIMM 2Rx4 (32Gb)	2
HCIX-MR256G4RG5	256GB DDR5-6400 RDIMM 4Rx4 (32Gb)	4
DIMM Blank <sup>2</sup>		
UCSX-DIMM-BLK	UCS DIMM Blank	

### Notes:

1. If higher or lower speed DIMMs are selected than for a given CPU speed, the DIMMs will be clocked at the lowest common denominator of CPU clock and DIMM clock. check the [Table 25](#) column “Highest DDR5 DIMM Clock Support”
2. Any empty DIMM slot must be populated with a DIMM blank to maintain proper cooling airflow.

## Memory configurations and mixing rules

- **Golden Rule:** Memory on every CPU socket shall be configured identically.
- For full details on supported memory configurations see the [M8 Memory Guide](#).

## STEP 6 CHOOSE REAR mLOM ADAPTER

The Compute node must be ordered with a Cisco VIC mLOM Adapter. The adapter is located at the back and can operate in a single-CPU or dual-CPU configuration. [Table 28](#) shows the mLOM adapter choices.

Table 28 mLOM Adapters

Product ID (PID)	Description	Connection type	Compatibility/Functionality
HCIX-ML-V5D200GV2	Cisco VIC 15230 2x 100G mLOM X-Series w/Secure Boot	mLOM	<ul style="list-style-type: none"> <li>■ Supported with both IFM 25G and IFM 100G</li> <li>■ Operates at 4x 25G with both IFM 25G and IFM 100G</li> </ul>
HCIX-ML-V5Q50G	Cisco VIC 15420 4x25G secure boot mLOM for X Cisco Compute Hyperconverged Node	mLOM	<ul style="list-style-type: none"> <li>■ Supported with both IFM 25G and IFM 100G</li> <li>■ Operates at 4x 25G with both IFM 25G</li> <li>■ Operates at 2x 25G with IFM 100G</li> </ul>



**NOTE:**

- The mLOM adapter is mandatory for the Ethernet connectivity to the network by means of the IFMs and has x16 PCIe Gen4 connectivity with Cisco VIC 15420 or x16 Gen4 connectivity with Cisco VIC 15230 towards the CPU1.
- There is no backplane in the Cisco Compute Hyperconverged 9508 chassis; thus, the Cisco Compute Nodes directly connect to the IFMs using Orthogonal Direct connectors.
- [Figure 8](#) shows the location of the mLOM and rear mezzanine adapters on the Cisco Compute Node. The bridge adapter connects the mLOM adapter to the rear mezzanine adapter.

Figure 8 Location of mLOM and Rear Mezzanine Adapters

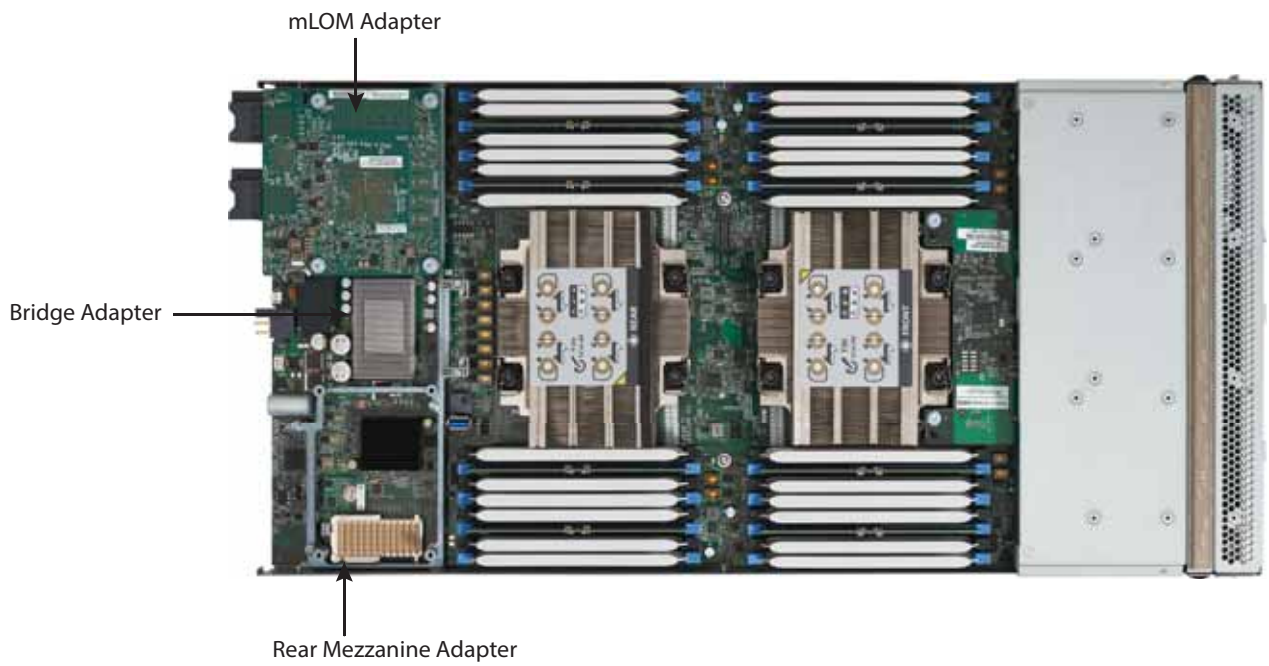


Figure 9 shows the network connectivity from the mLOM out to the 25G IFMs.

Figure 9 Network Connectivity 25G IFMs

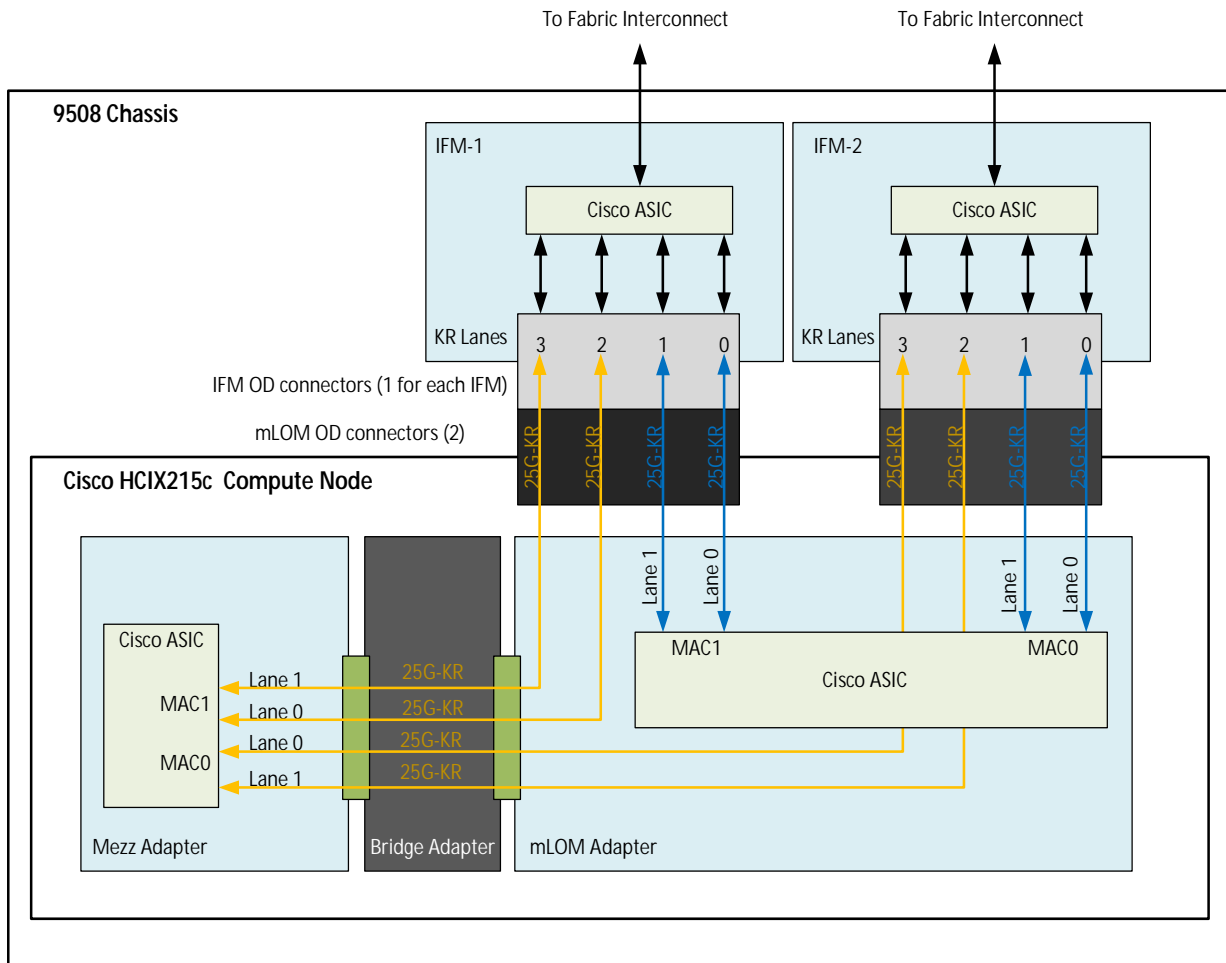
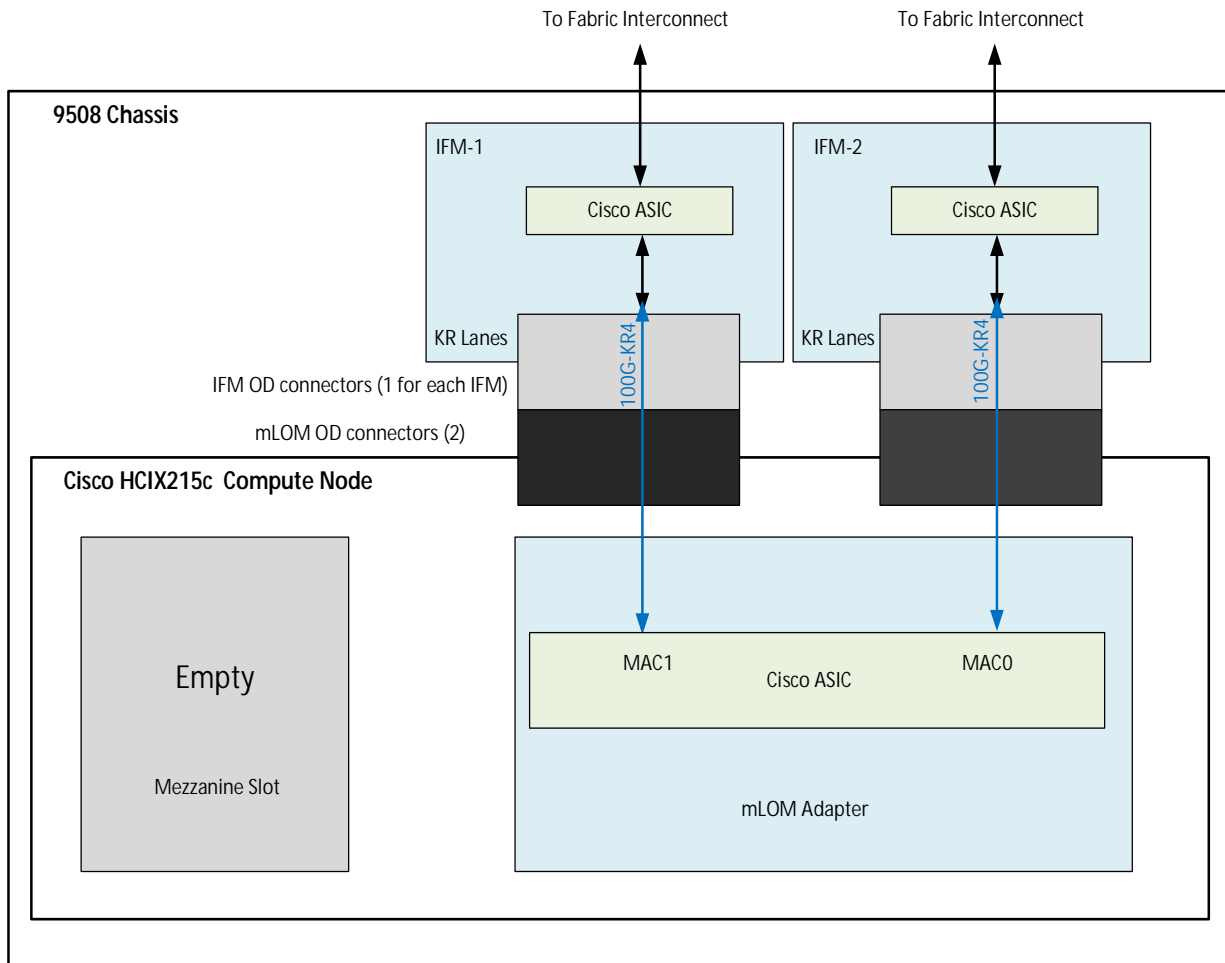


Figure 10 shows the network connectivity from the mLOM out to the 100G IFMs.

Figure 10 Network Connectivity 100G IFMs



## STEP 7 CHOOSE OPTIONAL REAR MEZZANINE VIC/BRIDGE ADAPTERS

The Cisco Compute Node has one rear mezzanine adapter connector which can have a VIC 15422 Mezz card that can be used as a second VIC card on the Cisco Compute Node for network connectivity or as a connector to the X440p PCIe node via X-Fabric modules. The same mezzanine slot on the Cisco Compute Node can also accommodate a pass-through mezzanine adapter for X-Fabric which enables Cisco Compute Hyperconverged Node connectivity to the PCIe node. Refer to [Table 29](#) for supported adapters.

Table 29 Available Rear Mezzanine Adapters

Product ID (PID)	PID Description	CPUs Required	Connector Type
<b>Cisco VIC Card</b>			
HCIX-V4-PCIME	PCI Mezz Card for X-Fabric	2 CPUs required	Rear Mezzanine connector on motherboard
HCIX-ME-V5Q50G	VIC 15422 4x25G secure boot mezz for X Cisco Compute Hyperconverged Node	2 CPUs required	Rear Mezzanine connector on motherboard
<b>Cisco VIC Bridge Card<sup>1,2</sup></b>			
UCSX-V5-BRIDGE=	VIC 15000 bridge to connect mLOM and mezz X Cisco Compute Hyperconverged Node (This bridge to connect the Cisco VIC 15420 mLOM and Cisco VIC 15422 Mezz for the HCIXNX215c M8 All-NVMe Compute Node)	2 CPUs required	One connector on Mezz card and one connector on mLOM card

**Notes:**

1. Included with the Cisco VIC 15422 mezzanine adapter.
2. This bridge connects the Cisco VIC mLOM and Cisco VIC Mezzanine adapters for the compute node



**NOTE:** The rear mezzanine card for X-Fabric has PCIe Gen4 x16 connectivity towards each CPU1 and CPU2. Additionally, the rear mezzanine card also provides two PCIe Gen4 x16 to each X-fabric. This rear mezzanine card enables connectivity from the compute node to the X440p PCIe node.

Table 30 Throughput Per HCIXNX215c M8 All-NVMe Compute Node

M8 Cisco Compute Node	FI-6536 + X9108-IFM-100G	FI-6536/6400 + X9108-IFM-25G	FI-6536 + X9108-IFM-25G/100G or FI-6400 + X9108-IFM-25G	FI-6536 + X9108-IFM-25G/100G or FI-6400 + X9108-IFM-25G	
X215c configuration	VIC 15230	VIC 15230	VIC 15420	VIC 15420 + VIC 15422	
Throughput per node	200G (100G per IFM)	100G (50G per IFM)	100G (50G per IFM)	200G (100G per IFM)	
vNICs needed for max BW	2	2	2	4	
KR connectivity from VIC to each IFM	1x 100GKR	2x 25GKR	2x 25GKR	4x 25GKR	
Single vNIC throughput on VIC	100G (1x100GKR)	50G (2x25G KR)	50G (2x25G KR)	50G (2x25G KR)	50G (2x25G KR)
Max Single flow BW per vNIC	100G	25G	25G	25G	25G
Single vHBA throughput on VIC	100G	50G	50G	50G	50G

Supported Configurations

- A mLOM VIC from [Table 28](#) is always required.
- If a rear mezzanine VIC card is installed, a VIC bridge card is included and connects the mLOM to the mezzanine adapter.
- The rear mezzanine card has Ethernet connectivity to the IFM using the VIC bridge card and has a PCIe Gen4 x16 connectivity towards CPU2. Additionally, the rear mezzanine card also provides two PCIe Gen4 x16 to each X-fabric.
- All the connections to Cisco X-Fabric 1 and Cisco X-Fabric 2 are through the molex orthogonal direct (OD) connector on the mezzanine card.
- The rear mezzanine card has 32 x16PCIe lanes to each Cisco X-Fabric for I/O expansion to enable resource consumption from the PCIe resource nodes.

## STEP 8 CHOOSE OPTIONAL GPU PCIe NODE

Select GPU PCIe Node

---



NOTE: If PCIe Node is selected, then rear mezzanine is required.

---

Table 31 GPU PCIe Node

Product ID(PID)	PID Description
HCIX-440P	UCS X-Series Gen4 PCIe node



NOTE:

The available PCIe node GPU options are listed in:

- For the supported GPU card supported on the x440P PCIe Node is listed on the <https://www.cisco.com/c/dam/en/us/products/collateral/hyperconverged-infrastructure/compute-hyperconverged-nutanix/compute-hyperconverged-440-p-pcie-node-ds.pdf> , Step 3, Order GPU Cards.
-

## STEP 9 ORDER M.2 DRIVES

- Cisco 6GB/s SATA Boot-Optimized M.2 RAID Controller (included): Boot-Optimized RAID controller (UCSX-M2-HWRD-FPS) for hardware RAID across two SATA M.2 storage modules. The Boot-Optimized RAID controller plugs into the motherboard and the M.2 SATA drives plug into the Boot-Optimized RAID controller.



**NOTE:**

- The HCIX-M2-HWRD-FPS is auto included with the server configuration
- The HCIX-M2-HWRD-FPS controller supports RAID 1 and JBOD mode
- Cisco IMM is supported for configuring of volumes and monitoring of the controller and installed SATA M.2 drives
- Hot-plug replacement is not supported. The Cisco Compute Node must be powered off to replace.
- The Boot-Optimized RAID controller supports Windows and Linux Operating Systems

Table 32 Boot-Optimized RAID controller (auto included)

Product ID (PID)	PID Description
HCIX-M2-HWRD-FPS	HCIX Front panel with M.2 RAID controller for SATA drives

- Select Cisco M.2 SATA SSDs: Order two matching M.2 SATA SSDs. This connector accepts the boot-optimized RAID controller (see [Table 32](#)). Each boot-optimized RAID controller can accommodate two SATA M.2 SSDs shown in [Table 33](#).



**NOTE:**

- Each boot-optimized RAID controller can accommodate two SATA M.2 SSDs shown in [Table 33](#). The boot-optimized RAID controller plugs into the motherboard.
- It is recommended that M.2 SATA SSDs be used as boot-only devices.
- The SATA M.2 drives can boot in UEFI mode only. Legacy boot mode is not supported.

Table 33 M.2 SATA SSDs

Product ID (PID)	PID Description	Drive Type	Capacity
HCIX-M2-480G	480GB M.2 SATA SSD	SATA	480GB
HCIX-M2-960G	960GB 2.5in M.2 SATA Micron G2 SSD	SATA	960GB
HCIX-M24800A1V	480GB M.2 Boot Solidigm S4520 SATA 1X SSD	SATA	480GB

## STEP 10 CHOOSE OPTIONAL TRUSTED PLATFORM MODULE

Trusted Platform Module (TPM) is a computer chip or microcontroller that can securely store artifacts used to authenticate the platform or Cisco Compute Node. These artifacts can include passwords, certificates, or encryption keys. A TPM can also be used to store platform measurements that help ensure that the platform remains trustworthy. Authentication (ensuring that the platform can prove that it is what it claims to be) and attestation (a process helping to prove that a platform is trustworthy and has not been breached) are necessary steps to ensure safer computing in all environments.

Table 34 Available TPM Option

Product ID (PID)	Description
HCIX-TPM2-002D	TPM 2.0 FIPS 140-2 MSW2022 compliant AMD M8 servers
HCI-TPM-OPT-OUT <sup>1</sup>	OPT OUT, TPM 2.0, TCG, FIPS140-2, CC EAL4+ Certified

**Notes:**

1. Please note Microsoft certification requires a TPM 2.0 for bare-metal or guest VM deployments. Opt-out of the TPM 2.0 voids the Microsoft certification.



**NOTE:**

- The TPM module used in this system conforms to TPM v2.0 as defined by the Trusted Computing Group (TCG).
- TPM installation is supported after-factory. However, a TPM installs with a one-way screw and cannot be replaced, upgraded, or moved to another Cisco Compute Node. If a Cisco Compute Node with a TPM is returned, the replacement Cisco Compute Node must be ordered with a new TPM. If there is no existing TPM in the Compute Node, you can install a TPM 2.0. Refer to the following document for Installation location and instructions: [Cisco UCS X215c M8 Server Installation and Service Guide](#)






# SELECT NUTANIX SOFTWARE AND NUTANIX PROFESSIONAL SERVICES

- Top Level Nutanix Software And Professional Services PIDs on page 49
  - Table 35, *Top Level Nutanix Software And Professional Services PIDs*
  - Table 36, *Nutanix NCI Software License Use case*
- Nutanix Software And Professional Services PID Decoder on page 51
  - Table 37.0, *Nutanix Software PID Decoder (WW-XX-YY-ZZ)*
  - Table 37.1, *Nutanix Professional Services PID Decoder (WW-XX-YY-ZZ)*
- Nutanix Software PIDs and Description on page 52
  - Table 40.0, *Nutanix Cloud Infrastructure (NCI)*
  - Table 40.1, *Nutanix Cloud Infrastructure - Compute Only (NCI-C)*
  - Table 40.2, *Nutanix Cloud Infrastructure Data (NCI-D)*
  - Table 40.3, *Nutanix Cloud Infrastructure Edge (NCI-E)*
  - Table 40.4, *End User Computing (EUC)*
  - Table 40.5, *Nutanix Cloud Manager (NCM)*
  - Table 40.4, *Nutanix Cloud Manager Edge (NME)*
  - Table 40.4, *Nutanix Cloud Manager EUC (NCM-U)*
  - Table 40.8, *Nutanix Cloud Platform (NCP) / Nutanix Cloud Platform - Compute Only (NCP-C)*
  - Table 40.9, *Nutanix Unified Storage™ (NUS)*
  - Table 40.10, *Nutanix Data Lens (NDL)*
  - Table 40.11, *Nutanix Kubernetes Platform (NKP)*
  - Table 40.12, *Nutanix Enterprise AI (NAI)*
- Nutanix software limited orderability on page 93
  - Table 41.0, *End User Computing Hyperspace (EUCH)*
- Professional Services PIDs and Description on page 95
  - Table 42.0, *NCI Design Workshop*
  - Table 42.1, *NCI Cluster Deployment or Expansion*
  - Table 42.2, *Virtual Machine Migration Workshop*
  - Table 42.3, *Virtual Machine Migration*
  - Table 42.4, *NCM Self-Service Design Workshop*
  - Table 42.5, *NCM Intelligent Operations Design Workshop*
  - Table 42.6, *NCM Intelligent Operations Deployment*
  - Table 42.7, *FastTrack for NCM Self-Service*
  - Table 42.8, *FastTrack for NCM Cost Governance*
  - Table 42.9, *Nutanix AI GPT Bundles Services*
  - Table 42.10, *Nutanix AI Planning Workshop*
  - Table 42.11, *Nutanix AI Design Workshop*
  - Table 42.12, *Nutanix AI Strategy and Optimization Workshop*
  - Table 42.13, *Nutanix AI Deployment*
  - Table 42.14, *NKP Design Workshop*
  - Table 42.15, *NKP Deployment*
  - Table 42.16, *Nutanix Flexible Credits*
- Nutanix Support: on page 112
- Software With Professional Services PID Mapping on page 113
  - Table 44.0, *Nutanix Software NCI, NCI-C, NCI-D, NCP (NCI-PRO), NCP (NCI-ULT), NCP-C (NCIC-PRO), NCP-C (NCIC-ULT) 1 YEAR SUBSCRIPTION with professional services PID Mapping*
  - Table 44.1, *Nutanix Software NCI, NCI-C, NCI-D, NCP (NCI-PRO), NCP (NCI-ULT), NCP-C (NCIC-PRO), NCP-C (NCIC-ULT) 3 YEAR SUBSCRIPTION with professional services PID Mapping*
  - Table 45, *Nutanix Software NCM STR 1 YEAR AND 3 YEAR & ABOVE SUBSCRIPTION with Professional Services PID Mapping*

- *Table 46, Nutanix Software NCM PRO, NCM ULT, NCP (NCM-PRO), NCP (NCM-ULT) 1 YEAR AND 3 YEAR & ABOVE SUBSCRIPTION with Professional services*

## Top Level Nutanix Software And Professional Services PIDs

Table 35 Top Level Nutanix Software And Professional Services PIDs

ATO Product ID (PID)	Description
NTX-SW	<p>Nutanix Software 3Y and above</p> <hr/>  <b>NOTE:</b> Please refer to the complete list of <a href="#">Nutanix Software PIDs and Description on page 52</a>
NTX-SW-LO	<p>Nutanix Limited Orderable Software Offer</p> <hr/>  <b>NOTE:</b> Please refer to the complete list of <a href="#">Nutanix software limited orderability on page 93</a>
NTX-SW-1Y	<p>Nutanix Software 1Y</p> <hr/>  <b>NOTE:</b> Please refer to the complete list of <a href="#">Nutanix Software PIDs and Description on page 52</a>
NTX-NCI-USE-CASE <sup>1</sup>	<p>Nutanix NCI Software License Use case</p> <hr/>  <b>NOTE:</b> Please refer to the complete list of <a href="#">Nutanix Software PIDs and Description on page 52</a>
NTX-SW-PS	<p>Nutanix Professional Service</p> <hr/>  <b>NOTE:</b> Please refer to the complete list of <a href="#">Professional Services PIDs and Description on page 95</a>

**Notes:**

1. A selection of NTX-NCI-USE-CASE from Nutanix Software Category is required when Nutanix Cloud Infrastructure Software License (NCI / NCI-D / NCI-E) is selected. There are a few conditions under which NT-PUBLIC-CLOUD can be used. refer to the [KB article](#) for more details. Please choose one of them from the [Table 36](#), if you select the NTX-NCI-USE-CASE.

Table 36 Nutanix NCI Software License Use case

Product ID (PID)	Description
NT-ON-PREM-UCS	Use Case to License Nutanix SW on Certified Cisco UCS HW
NT-PUBLIC-CLOUD	Use Case to License Nutanix SW (NC2) Running in Public Cloud (AWS/Azure)Hide
NT-OTHER	Use Case for all other Nutanix SW that is not covered above

**NOTE:****(1) 1 Year Subscription term:**

- For Nutanix Cloud Infrastructure (NCI), Nutanix Cloud Infrastructure - Compute Only (NCI-C), Nutanix Cloud Infrastructure - Data (NCI-D) and Nutanix Cloud Manager (NCM) softwares, it requires mandatory attach of Nutanix Professional Services.

**(2) 3 Year Subscription term:**

- For Nutanix Cloud Infrastructure (NCI), Nutanix Cloud Infrastructure - Compute Only (NCI-C), Nutanix Cloud Infrastructure - Data (NCI-D) and Nutanix Cloud Manager (NCM), only Starter (STR) softwares, it is recommended to attach Nutanix Professional Services during ordering.
- For Nutanix Cloud Manager (NCM) software, only Professional (PRO) and Ultimate (ULT) softwares requires mandatory Nutanix Professional Services.

**(3) Nutanix NCI Software License Use case:**

- Ratio of cores between cloud and on-prem must be 70/30 or greater, meaning  $\geq 30\%$  of cores must be licensed for on-prem usage. Cloud only deals, public cloud marketplace deals, and hybrid cloud deals with other vendor hardware are not allowed.
- Must include mention of hybrid cloud in your Nutanix deal registration.
- Must select the appropriate public cloud use-case SKU when building a CCW configuration.

**(4) Any future expansion opportunity does not require **mandatory** Nutanix Professional Services attach.**

(5) Cisco and Nutanix products are each subject to their own terms and conditions, including support timelines and milestones. This includes the Nutanix Cloud Platform software and qualified Cisco UCS hardware platforms sold together as part of the Cisco Compute Hyperconverged with Nutanix solution. Carefully review [Nutanix's EoL portal](#) for support timelines by hardware platform. Cisco's UCS hardware support milestones may not align with Nutanix's support milestones. Therefore, it is important to plan your hardware and software refresh cycles based on the earlier of the two dates (hardware support from Cisco and software support from Nutanix). It is your responsibility to check the Nutanix software term length desired against the support time frames for the quoted UCS hardware platform.

Nutanix licenses are transferable to newer generation Cisco UCS platforms subject to Nutanix's end user license agreement. Refer to [Nutanix's Support FAQs](#) for details and definitions of Nutanix's End of Life and End of Support Life milestones. Refer to [Cisco's EoL policy](#) for details and definitions of Cisco's End of Life and Last Date of Support milestones.

---

## Nutanix Software And Professional Services PID Decoder

Table 37.0 Nutanix Software PID Decoder (WW-XX-YY-ZZ)

Identifier#1 (WW)	Identifier#2 (XX)	Identifier#3 (YY)	Identifier#4 (ZZ)
Nutanix Product Family:	Nutanix Software Type/Category:	License Tiers:	Support Tier:
NT	NCI: Nutanix Cloud Infrastructure NCI-C: Nutanix Cloud Infrastructure-Compute Only NCI-D: Nutanix Cloud Infrastructure Data NCI-E: Nutanix Cloud Infrastructure Edge EUC: End User Computing NCM: Nutanix Cloud Manager NME: Nutanix Cloud Manager Edge NCM-U: Nutanix Cloud Manager End User Computing NCP: Nutanix Cloud Platform NCP-C: Nutanix Cloud Platform-Compute Only NUS: Nutanix Unified Storage™ NDL: Nutanix Data Lens NKP: Nutanix Kubernetes Platform NAI: Nutanix Enterprise AI EUCH: END User Computing Hyperspace	STR: Starter PRO: Professional ULT: Ultimate	PR: Production MC: Mission Critical AP: (ASP Production) AM: (ASP Mission Critical) FP: US Federal Production FM: US Federal Mission Critical
NOTE: Note for example “NT-NCI-STR-PR” PID can be decoded as, NT=Nutanix, NCI=Nutanix Cloud Infrastructure, STR=Starter, PR=Production			

Table 37.1 Nutanix Professional Services PID Decoder (WW-XX-YY-ZZ)

Identifier#1 (WW)	Identifier#2 (XX)	Identifier#3 (YY)	Identifier#4 (ZZ)
Nutanix Product Family:	Nutanix Professional Services Offering:	Nutanix Product Tier:	Nutanix Professional Services Option:
NT	Design W-DS: NCI Design Workshop W-SSD: NCM Self-Service Design Workshop W-OD: NCM Intelligent Operations Design Workshop W-KD: NKP Design Workshop P-AI - NAI Planning Workshop W-AID - NAI Design Workshop W-AIO - NAI Strategy and Optimization Workshop Deploy S-DP: NCI Cluster Deployment or Expansion S-OP: NCM Intelligent Operations Deployment F-SS: FastTrack for NCM Self-Service F-CG: FastTrack for NCM Cost Governance S-KD: NKP Deployment S-AID - NAI Deployment Migrate W-MG: Virtual Machine Migration Workshop S-MG-VM: Virtual Machine Migration Custom FLEX-CST-CR: Flexible Credits	STR: Starter PRO: Professional ULT: Ultimate	Design SD: Standard Documentation Deploy AV-PB: Pro AHV Nodes Base AV-PV: Pro AHV Nodes Variable EX-PB: Pro ESX Nodes Base EX-PV: Pro ESX Nodes Variable AV-SB: Starter AHV Nodes Base AV-SV: Starter AHV Nodes Variable EX-SB: Starter ESX Nodes Base EX-SV: Starter ESX Nodes Variable AVB: Starter AHV Nodes Base AVV: Starter AHV Nodes Variable EXB: Starter ESX Nodes Base EXV: Starter ESX Nodes Variable AV-UB: Ultimate AHV Nodes Base AV-UV: Ultimate AHV Nodes Variable EX-UB: Ultimate ESX Nodes Base EX-UV: Ultimate ESX Nodes Variable
NOTE: Note for example “NT-W-DS-STR-SD” PID can be decoded as, NT=Nutanix, W-DS= Design Workshop, STR=Starter, SD= Standard Documentation			

## Nutanix Software PIDs and Description

Table 38 Software Options and Metric

Software Option	Software Description	Metric
Nutanix Cloud Infrastructure (NCI)	NCI is a complete software stack to unify your hybrid cloud infrastructure including compute, storage and network, hypervisors, and containers, in public or enterprise clouds	Per Core
Nutanix Cloud Infrastructure - Compute Only (NCI-C)	NCI-C is an enterprise virtualization platform that integrates with qualified storage partners to support demanding mission-critical applications.	Per Core
Nutanix Cloud Infrastructure Data (NCI-D)	Delivers rich data and storage services but does not include Nutanix compute and networking capabilities. No support for AHV	Per Core
Nutanix Cloud Infrastructure Edge (NCI-Edge)	Nutanix Cloud Infrastructure - Edge (NCI-Edge) provides a distributed infrastructure platform for small edge deployments. NCI-Edge provides the same capabilities as NCI, combining compute, storage, and networking resources from a cluster of servers into a single logical pool with integrated resiliency, security, performance, and simplified administration.	Per VM
Nutanix Cloud Manager (NCM)	NCM offers intelligent operations, self service and orchestration, visibility and governance of spend, security and teams	Per Core
Nutanix Cloud Manager Edge (NCM-E)	Provides NCM capabilities for Edge deployments	Per VM
Nutanix Cloud Manager EUC (NCM-U)	Provides NCM capabilities in VDI use cases	Per User
Nutanix Cloud Platform (NCP)	Bundle for NCI and NCM	Per Core
Nutanix Cloud Platform - Compute Only (NCP-C)	Bundle for NCI-C and NCM	Per Core
Nutanix Unified Storage™ (NUS)	Nutanix Unified Storage™ (NUS) is a software-defined data services platform that consolidates the management and protection of siloed block, file, and object storage into a single, unified platform.	Per TIB
Nutanix Data Lens (NDL)	Nutanix Data Lens is a SaaS-based cyberstorage solution offering ransomware resilience and global data visibility for unstructured data on Nutanix Unified Storage (NUS).	Per TIB
End User Computing (EUC)	on-prem VDI and Desktop as a Service (DaaS) use cases	Per User
Nutanix Kubernetes Platform (NKP)	Nutanix Kubernetes Platform (NKP) combines the Nutanix Kubernetes Engine (NKE) features with their acquisition of the D2iQ product family to bring a consolidated runtime, orchestration, and management environment to our cloud native customers.	Per Core/Per VM <sup>1</sup>
Nutanix Enterprise AI (NAI)	Nutanix Enterprise AI is a comprehensive software platform designed to simplify and secure the deployment, management, and scaling of generative AI (GenAI) applications.	Per Core/vCPU and GB <sup>2</sup>

Notes:

1. For NKP FS STR/PRO/ULT, the metric is calculated per core, whereas for NKP PRO/ULT, the calculated is measured per VM.
2. For NAI both per core/vCPU and GPU memory (GB) licenses are required.

Table 39 Nutanix Software License Tiers

NCI Starter	NCI Professional	NCI Ultimate
<p>Core set of software functionality</p> <p><b>Ideal for:</b> Small-scale deployments with a limited set of workloads (on-prem only)</p>	<p>Rich data services, resilience and management features</p> <p><b>Ideal for:</b> Running multiple applications or large-scale single workload deployments (on-prem or in public clouds)</p>	<p>Full suite of Nutanix software capabilities to tackle complex infrastructure challenges</p> <p><b>Ideal for:</b> Multi-site deployments and advanced security requirements (on-prem or in public clouds)</p>



**NOTE:**

- Prism Central will be required for all licensing actions.
- Licenses are portable across Cisco hardware platforms in HCL.

(1) Nutanix Cloud Infrastructure (NCI):

Nutanix Cloud Infrastructure (NCI) converges the entire datacenter stack, including compute, storage, storage networking, and virtualization and is at the core of creating a hyperconverged infrastructure environment. Complex and expensive legacy infrastructure is replaced by NCI, running on industry-standard servers loaded with the latest hardware technologies. This allows enterprises to deploy what you need for the short term, and scale on-demand as infrastructure needs increase over time. Each server, often referred to as a node in the context of HCI, is an x86 platform with direct-attached storage drives. NCI software runs on each node, distributing all operating functions across the cluster for superior performance and resilience, and enabling seamless scalability.



**NOTE:**

- For more information about Nutanix Cloud Infrastructure (NCI), please visit <https://www.nutanix.com/products/nutanix-cloud-infrastructure>
- For more information about Nutanix Cloud Platform software options, please visit <https://www.nutanix.com/products/cloud-platform/software-options>
- Please note that the Federal Support program is reserved for US Federal accounts. US Federal accounts must select Federal Support Tier for the order to be fulfilled. If a non-Federal account selects a Federal Support program, Nutanix may not fulfill the order. Additionally, Nutanix's Mixed Support Level Guidelines (<https://www.nutanix.com/support-services/product-support/support-policies-and-faqs?show=accordion-4>) requires all software assets within a cluster to have the same support level, else software support will default to the lower option.
- Sellers in the Federal space need to ensure they have the Federal Support SKU's on the quote and order. All orders without the Federal Support SKU's will be rejected by Nutanix. Refer this Knowledge base article for more info: <https://computekb.cisco.com/article/nutanix-support-for-federal-customers.html>
- Authorized Partners of Nutanix can offer Level 1 & Level 2 support for Nutanix Software. For the complete list visit <https://computekb.cisco.com/article/rules-for-ordering-nutanix-partner-support-skus.html>
- The quantity of NCI license must match with total number for processor cores in hardware platforms.

Table 40.0 Nutanix Cloud Infrastructure (NCI)

Product ID (PID)	PID Description
STR - STARTER	
NT-NCI-STR-PR	Subscription, Nutanix Cloud Infrastructure (NCI) Starter Software License & Production Software Support Service for 1 CPU Core
NT-NCI-STR-MC	Subscription, Nutanix Cloud Infrastructure (NCI) Starter Software License & Mission Critical Software Support Service for 1 CPU Core
NT-NCI-STR-AP	Subscription, Nutanix Cloud Infrastructure (NCI) Starter Software License & L3 Production Software Support Service for 1 CPU Core (Authorized Support Partners provides L1, L2 support)
NT-NCI-STR-AM	Subscription, Nutanix Cloud Infrastructure (NCI) Starter Software License & L3 Mission Critical Software Support Service for 1 CPU Core (Authorized Support Partners provides L1, L2 support)

Table 40.0 Nutanix Cloud Infrastructure (NCI)

NT-NCI-STR-FP	Subscription, Nutanix Cloud Infrastructure (NCI) Starter Software License & Federal Production Software Support Service for 1 CPU Core
NT-NCI-STR-FM	Subscription, Nutanix Cloud Infrastructure (NCI) Starter Software License & Federal Mission Critical Software Support Service for 1 CPU Core
<b>PRO - PROFESSIONAL</b>	
NT-NCI-PRO-PR	Subscription, Nutanix Cloud Infrastructure (NCI) Pro Software License & Production Software Support Service for 1 CPU Core
NT-NCI-PRO-MC	Subscription, Nutanix Cloud Infrastructure (NCI) Pro Software License & Mission Critical Software Support Service for 1 CPU Core
NT-NCI-PRO-AP	Subscription, Nutanix Cloud Infrastructure (NCI) Professional Software License & L3 Production Software Support Service for 1 CPU Core (Authorized Support Partners provides L1, L2 support)
NT-NCI-PRO-AM	Subscription, Nutanix Cloud Infrastructure (NCI) Professional Software License & L3 Mission Critical Software Support Service for 1 CPU Core (Authorized Support Partners provides L1, L2 support)
NT-NCI-PRO-FP	Subscription, Nutanix Cloud Infrastructure (NCI) Pro Software License & Federal Production Software Support Service for 1 CPU Core
NT-NCI-PRO-FM	Subscription, Nutanix Cloud Infrastructure (NCI) Pro Software License & Federal Mission Critical Software Support Service for 1 CPU Core
<b>ULT - ULTIMATE</b>	
NT-NCI-ULT-PR	Subscription, Nutanix Cloud Infrastructure (NCI) Ultimate Software License & Production Software Support Service for 1 CPU Core
NT-NCI-ULT-MC	Subscription, Nutanix Cloud Infrastructure (NCI) Ultimate Software License & Mission Critical Software Support Service for 1 CPU Core
NT-NCI-ULT-AP	Subscription, Nutanix Cloud Infrastructure (NCI) Ultimate Software License & L3 Production Software Support Service for 1 CPU Core (Authorized Support Partners provides L1, L2 support)
NT-NCI-ULT-AM	Subscription, Nutanix Cloud Infrastructure (NCI) Ultimate Software License & Mission Critical Software Support Service for 1 CPU Core (Authorized Support Partners provides L1, L2 support)
NT-NCI-ULT-FP	Subscription, Nutanix Cloud Infrastructure (NCI) Ultimate Software License & Federal Production Software Support Service for 1 CPU Core
NT-NCI-ULT-FM	Subscription, Nutanix Cloud Infrastructure (NCI) Ultimate Software License & Federal Mission Critical Software Support Service for 1 CPU Core
<b>ADVANCED REPLICATION</b>	
NT-A-NCI-ADR-PR	Subscription, Nutanix Cloud Infrastructure (NCI) Advanced Replication add-on Software License & Production Software Support Service for 1 CPU Core
NT-A-NCI-ADR-MC	Subscription, Nutanix Cloud Infrastructure (NCI) Advanced Replication add-on Software License & Mission Critical Software Support Service for 1 CPU Core

Table 40.0 Nutanix Cloud Infrastructure (NCI)

NT-A-NCI-ADR-AP	Subscription, Nutanix Cloud Infrastructure (NCI) Advanced Replication add-on Software License & L3 Production Software Support Service for 1 CPU Core (Authorized Support Partners provides L1, L2 support)
NT-A-NCI-ADR-AM	Subscription, Nutanix Cloud Infrastructure (NCI) Advanced Replication add-on Software License & L3 Mission Critical Software Support Service for 1 CPU Core (Authorized Support Partners provides L1, L2 support)
NT-A-NCI-ADR-FP	Subscription, Nutanix Cloud Infrastructure (NCI) Advanced Replication add-on Software License & Federal Production Software Support Service for 1 CPU Core
NT-A-NCI-ADR-FM	Subscription, Nutanix Cloud Infrastructure (NCI) Advanced Replication add-on Software License & Federal Mission Critical Software Support Service for 1 CPU Core
<b>SECURITY</b>	
NT-A-NCI-SEC-PR	Subscription, Nutanix Cloud Infrastructure (NCI) Security add-on Software License & Production Software Support Service for 1 CPU Core
NT-A-NCI-SEC-MC	Subscription, Nutanix Cloud Infrastructure (NCI) Security add-on Software License & Mission Critical Software Support Service for 1 CPU Core
NT-A-NCI-SEC-AP	Subscription, Nutanix Cloud Infrastructure (NCI) Security add-on Software License & L3 Production Software Support Service for 1 CPU Core (Authorized Support Partners provides L1, L2 support)
NT-A-NCI-SEC-AM	Subscription, Nutanix Cloud Infrastructure (NCI) Security add-on Software License & L3 Mission Critical Software Support Service for 1 CPU Core (Authorized Support Partners provides L1, L2 support)
NT-A-NCI-SEC-FP	Subscription, Nutanix Cloud Infrastructure (NCI) Security add-on Software License & Federal Production Software Support Service for 1 CPU Core
NT-A-NCI-SEC-FM	Subscription, Nutanix Cloud Infrastructure (NCI) Security add-on Software License & Federal Mission Critical Software Support Service for 1 CPU Core

[Table 44.0, Nutanix Software NCI, NCI-C, NCI-D, NCP \(NCI-PRO\), NCP \(NCI-ULT\), NCP-C \(NCIC-PRO\), NCP-C \(NCIC-ULT\) 1 YEAR SUBSCRIPTION with professional services PID Mapping](#)

[Table 44.1, Nutanix Software NCI, NCI-C, NCI-D, NCP \(NCI-PRO\), NCP \(NCI-ULT\), NCP-C \(NCIC-PRO\), NCP-C \(NCIC-ULT\) 3 YEAR SUBSCRIPTION with professional services PID Mapping](#)

(2) Nutanix Cloud Infrastructure - Compute-Only (NCI-C):

Nutanix Cloud Infrastructure - Compute-Only (NCI-C) is an enterprise virtualization platform that converges Nutanix’s operational model and automation of NCI with everupure FlashArray to deliver a high-performance and secure solution for demanding data and mission-critical workload. NCI-C provides VM-centric data management delegating snapshots, clones, and related operations to storage platform for efficiency and performance. Multilayer security protects mission-critical environments with micro segmentation, least-privileged access and compliance guardrails supported by storage-level encryption within everupure. This solution is ideally suited to supporting mission-critical applications for customers from highly regulated industries, such as finance, healthcare and government.



**NOTE:**

- For more information about Nutanix Cloud Infrastructure - Compute-Only (NCI-C), please visit <https://www.nutanix.com/products/nutanix-cloud-infrastructure/compute>
- For more information about Nutanix Cloud Infrastructure capabilities and software options, please visit <https://www.nutanix.com/library/datasheets/nci-c>
- For more information about Nutanix Cloud Platform software options, please visit <https://www.nutanix.com/products/cloud-platform/software-options>
- Please note that the Federal Support program is reserved for US Federal accounts. US Federal accounts must select Federal Support Tier for the order to be fulfilled. If a non-Federal account selects a Federal Support program, Nutanix may not fulfill the order. Additionally, Nutanix’s Mixed Support Level Guidelines (<https://www.nutanix.com/support-services/product-support/support-policies-and-faqs?show=accordion-4>) requires all software assets within a cluster to have the same support level, else software support will default to the lower option.
- Sellers in the Federal space need to ensure they have the Federal Support SKU's on the quote and order. All orders without the Federal Support SKU's will be rejected by Nutanix. Refer this Knowledge base article for more info: <https://computekb.cisco.com/article/nutanix-support-for-federal-customers.html>
- Authorized Partners of Nutanix can offer Level 1 & Level 2 support for Nutanix Software. for the complete list visit <https://computekb.cisco.com/article/rules-for-ordering-nutanix-partner-support-skus.html>



**WARNING:**

- The NCI-C license requires a minimum initial purchase of 2,000 cores (same or varying tiers).
- After this threshold is met, the customer is no longer subject to a minimum core requirement for subsequent orders. The quantity of NCI-C license must match the total number for processor cores in hardware platforms.

Table 40.1 Nutanix Cloud Infrastructure - Compute Only (NCI-C)

Product ID (PID)	PID Description
STR - STARTER	
NT-NCIC-STR-PR	Subscription, Nutanix Cloud Infrastructure - Compute Only (NCI-C) Starter Software License & Production Software Support Service for 1 CPU Core
NT-NCIC-STR-MC	Subscription, Nutanix Cloud Infrastructure - Compute Only (NCI-C) Starter Software License & Mission Critical Software Support Service for 1 CPU Core

Table 40.1 Nutanix Cloud Infrastructure - Compute Only (NCI-C)

NT-NCIC-STR-FP	Subscription, Nutanix Cloud Infrastructure - Compute Only (NCI-C) Starter Software License & Federal Production Software Support Service for 1 CPU Core
NT-NCIC-STR-FM	Subscription, Nutanix Cloud Infrastructure - Compute Only (NCI-C) Starter Software License & Federal Mission Critical Software Support Service for 1 CPU Core
<b>PRO - PROFESSIONAL</b>	
NT-NCIC-PRO-PR	Subscription, Nutanix Cloud Infrastructure - Compute Only (NCI-C) Pro Software License & Production Software Support Service for 1 CPU Core
NT-NCIC-PRO-MC	Subscription, Nutanix Cloud Infrastructure - Compute Only (NCI-C) Pro Software License & Mission Critical Software Support Service for 1 CPU Core
NT-NCIC-PRO-FP	Subscription, Nutanix Cloud Infrastructure - Compute Only (NCI-C) Pro Software License & Federal Production Software Support Service for 1 CPU Core
NT-NCIC-PRO-FM	Subscription, Nutanix Cloud Infrastructure - Compute Only (NCI-C) Pro Software License & Federal Mission Critical Software Support Service for 1 CPU Core
<b>ULT - ULTIMATE</b>	
NT-NCIC-ULT-PR	Subscription, Nutanix Cloud Infrastructure - Compute Only (NCI-C) Ultimate Software License & Production Software Support Service for 1 CPU Core
NT-NCIC-ULT-MC	Subscription, Nutanix Cloud Infrastructure - Compute Only (NCI-C) Ultimate Software License & Mission Critical Software Support Service for 1 CPU Core
NT-NCIC-ULT-FP	Subscription, Nutanix Cloud Infrastructure - Compute Only (NCI-C) Ultimate Software License & Federal Production Software Support Service for 1 CPU Core
NT-NCIC-ULT-FM	Subscription, Nutanix Cloud Infrastructure - Compute Only (NCI-C) Ultimate Software License & Federal Mission Critical Software Support Service for 1 CPU Core
<b>ADVANCED REPLICATION</b>	
NT-A-NCIC-ADR-PR	Subscription, Nutanix Cloud Infrastructure - Compute Only (NCI-C) Advanced Replication Software License & Production Software Support Service for 1 CPU Core
NT-A-NCIC-ADR-MC	Subscription, Nutanix Cloud Infrastructure - Compute Only (NCI-C) Advanced Replication Software License & Mission Critical Software Support Service for 1 CPU Core
NT-A-NCIC-ADR-FP	Subscription, Nutanix Cloud Infrastructure - Compute Only (NCI-C) Advanced Replication Software License & Federal Production Software Support Service for 1 CPU Core
NT-A-NCIC-ADR-FM	Subscription, Nutanix Cloud Infrastructure - Compute Only (NCI-C) Advanced Replication Software License & Federal Mission Critical Software Support Service for 1 CPU Core
<b>SECURITY</b>	
NT-A-NCIC-SEC-PR	Subscription, Nutanix Cloud Infrastructure - Compute Only (NCI-C) Security Software License & Production Software Support Service for 1 CPU Core

Table 40.1 Nutanix Cloud Infrastructure - Compute Only (NCI-C)

NT-A-NCIC-SEC-MC	Subscription, Nutanix Cloud Infrastructure - Compute Only (NCI-C) Security Software License & Mission Critical Software Support Service for 1 CPU Core
NT-A-NCIC-SEC-FP	Subscription, Nutanix Cloud Infrastructure - Compute Only (NCI-C) Security Software License & Federal Production Software Support Service for 1 CPU Core
NT-A-NCIC-SEC-FM	Subscription, Nutanix Cloud Infrastructure - Compute Only (NCI-C) Security Software License & Federal Mission Critical Software Support Service for 1 CPU Core

[Table 44.0, Nutanix Software NCI, NCI-C, NCI-D, NCP \(NCI-PRO\), NCP \(NCI-ULT\), NCP-C \(NCIC-PRO\), NCP-C \(NCIC-ULT\) 1 YEAR SUBSCRIPTION with professional services PID Mapping](#)

[Table 44.1, Nutanix Software NCI, NCI-C, NCI-D, NCP \(NCI-PRO\), NCP \(NCI-ULT\), NCP-C \(NCIC-PRO\), NCP-C \(NCIC-ULT\) 3 YEAR SUBSCRIPTION with professional services PID Mapping](#)

(3) Nutanix Cloud Infrastructure Data (NCI-D):

Nutanix supports freedom of choice of hypervisor and container platform, by offering a version called NCI Data that delivers rich data and storage services but does not include Nutanix compute and networking capabilities. Support for Hypervisor specific features, such as GPU support on ESXi, is not impacted by NCI Data licensing tiers.



**NOTE:**

- For more information about Nutanix Cloud Infrastructure (NCI), please visit <https://www.nutanix.com/products/nutanix-cloud-infrastructure>
- For more information about Nutanix Cloud Platform software options, please visit <https://www.nutanix.com/products/cloud-platform/software-options> Please note, the grey rows in the software options table under NCI are not included in NCI Data.
- Please note that the Federal Support program is reserved for US Federal accounts. US Federal accounts must select Federal Support Tier for the order to be fulfilled. If a non-Federal account selects a Federal Support program, Nutanix may not fulfill the order. Additionally, Nutanix’s Mixed Support Level Guidelines(<https://www.nutanix.com/support-services/product-support/support-policies-and-faqs?show=accordion-4>) requires all software assets within a cluster to have the same support level, else software support will default to the lower option.
- Sellers in the Federal space need to ensure they have the Federal Support SKU's on the quote and order. All orders without the Federal Support SKU's will be rejected by Nutanix. Refer this Knowledge base article for more info: <https://compute.kb.cisco.com/article/nutanix-support-for-federal-customers.html>
- Authorized Partners of Nutanix can offer Level 1 & Level 2 support for Nutanix Software. for the complete list visit <https://compute.kb.cisco.com/article/rules-for-ordering-nutanix-partner-support-skus.html>
- The quantity of NCI-D license must match with total number for processor cores in hardware platforms.

Table 40.2 Nutanix Cloud Infrastructure Data (NCI-D)

Product ID (PID)	PID Description
STR - STARTER	
NT-NCI-D-STR-PR	Subscription, Nutanix Cloud Infrastructure Data (NCI-D) Starter Software License & Production Software Support Service for 1 CPU Core
NT-NCI-D-STR-MC	Subscription, Nutanix Cloud Infrastructure Data (NCI-D) Starter Software License & Mission Critical Software Support Service for 1 CPU Core
NT-NCI-D-STR-AP	Subscription, Nutanix Cloud Infrastructure Data (NCI-D) Starter Software License & L3 Production Software Support Service for 1 CPU Core (Authorized Support Partners provides L1, L2 support)
NT-NCI-D-STR-AM	Subscription, Nutanix Cloud Infrastructure Data (NCI-D) Starter Software License & L3 Mission Critical Software Support Service for 1 CPU Core (Authorized Support Partners provides L1, L2 support)
NT-NCI-D-STR-FP	Subscription, Nutanix Cloud Infrastructure Data (NCI-D) Starter Software License & Federal Production Software Support Service for 1 CPU Core
NT-NCI-D-STR-FM	Subscription, Nutanix Cloud Infrastructure Data (NCI-D) Starter Software License & Federal Mission Critical Software Support Service for 1 CPU Core

Table 40.2 Nutanix Cloud Infrastructure Data (NCI-D)

<b>PRO - PROFESSIONAL</b>	
NT-NCI-D-PRO-PR	Subscription, Nutanix Cloud Infrastructure Data (NCI-D) Pro Software License & Production Software Support Service for 1 CPU Core
NT-NCI-D-PRO-MC	Subscription, Nutanix Cloud Infrastructure Data (NCI-D) Pro Software License & Mission Critical Software Support Service for 1 CPU Core
NT-NCI-D-PRO-AP	Subscription, Nutanix Cloud Infrastructure Data (NCI-D) Pro Software License & L3 Production Software Support Service for 1 CPU Core (Authorized Support Partners provides L1, L2 support)
NT-NCI-D-PRO-AM	Subscription, Nutanix Cloud Infrastructure Data (NCI-D) Pro Software License & L3 Mission Critical Software Support Service for 1 CPU Core (Authorized Support Partners provides L1, L2 support)
NT-NCI-D-PRO-FP	Subscription, Nutanix Cloud Infrastructure Data (NCI-D) Pro Software License & Federal Production Software Support Service for 1 CPU Core
NT-NCI-D-PRO-FM	Subscription, Nutanix Cloud Infrastructure Data (NCI-D) Pro Software License & Federal Mission Critical Software Support Service for 1 CPU Core
<b>ULT - ULTIMATE</b>	
NT-NCI-D-ULT-PR	Subscription, Nutanix Cloud Infrastructure Data (NCI-D) Ultimate Software License & Production Software Support Service for 1 CPU Core
NT-NCI-D-ULT-MC	Subscription, Nutanix Cloud Infrastructure Data (NCI-D) Ultimate Software License & Mission Critical Software Support Service for 1 CPU Core
NT-NCI-D-ULT-AP	Subscription, Nutanix Cloud Infrastructure Data (NCI-D) Ultimate Software License & L3 Production Software Support Service for 1 CPU Core (Authorized Support Partners provides L1, L2 support)
NT-NCI-D-ULT-AM	Subscription, Nutanix Cloud Infrastructure Data (NCI-D) Ultimate Software License & L3 Mission Critical Software Support Service for 1 CPU Core (Authorized Support Partners provides L1, L2 support)
NT-NCI-D-ULT-FP	Subscription, Nutanix Cloud Infrastructure Data (NCI-D) Ultimate Software License & Federal Production Software Support Service for 1 CPU Core
NT-NCI-D-ULT-FM	Subscription, Nutanix Cloud Infrastructure Data (NCI-D) Ultimate Software License & Federal Mission Critical Software Support Service for 1 CPU Core
<b>ADVANCED REPLICATION</b>	
NT-A-NCI-D-ADR-PR	Subscription, Nutanix Cloud Infrastructure Data (NCI-D) Advanced Replication add-on Software License & Production Software Support Service for 1 CPU Core
NT-A-NCI-D-ADR-MC	Subscription, Nutanix Cloud Infrastructure Data (NCI-D) Advanced Replication add-on Software License & Mission Critical Software Support Service for 1 CPU Core
NT-A-NCI-D-ADR-AP	Subscription, Nutanix Cloud Infrastructure Data (NCI-D) Advanced Replication add-on Software License & L3 Production Software Support Service for 1 CPU Core (Authorized Support Partners provides L1, L2 support)

Table 40.2 Nutanix Cloud Infrastructure Data (NCI-D)

NT-A-NCI-D-ADR-AM	Subscription, Nutanix Cloud Infrastructure Data (NCI-D) Advanced Replication add-on Software License & L3 Mission Critical Software Support Service for 1 CPU Core (Authorized Support Partners provides L1, L2 support)
NT-A-NCI-D-ADR-FP	Subscription, Nutanix Cloud Infrastructure Data (NCI-D) Advanced Replication add-on Software License & Federal Production Software Support Service for 1 CPU Core
NT-A-NCI-D-ADR-FM	Subscription, Nutanix Cloud Infrastructure Data (NCI-D) Advanced Replication add-on Software License & Federal Mission Critical Software Support Service for 1 CPU Core
<b>SECURITY</b>	
NT-A-NCI-D-SEC-PR	Subscription, Nutanix Cloud Infrastructure Data (NCI-D) Security add-on Software License & Production Software Support Service for 1 CPU Core
NT-A-NCI-D-SEC-MC	Subscription, Nutanix Cloud Infrastructure Data (NCI-D) Security add-on Software License & Mission Critical Software Support Service for 1 CPU Core
NT-A-NCI-D-SEC-AP	Subscription, Nutanix Cloud Infrastructure Data (NCI-D) Security add-on Software License & L3 Production Software Support Service for 1 CPU Core (Authorized Support Partners provides L1, L2 support)
NT-A-NCI-D-SEC-AM	Subscription, Nutanix Cloud Infrastructure Data (NCI-D) Security add-on Software License & L3 Mission Critical Software Support Service for 1 CPU Core (Authorized Support Partners provides L1, L2 support)
NT-A-NCI-D-SEC-FP	Subscription, Nutanix Cloud Infrastructure Data (NCI-D) Security add-on Software License & Federal Production Software Support Service for 1 CPU Core
NT-A-NCI-D-SEC-FM	Subscription, Nutanix Cloud Infrastructure Data (NCI-D) Security add-on Software License & Federal Mission Critical Software Support Service for 1 CPU Core

[Table 44.0, Nutanix Software NCI, NCI-C, NCI-D, NCP \(NCI-PRO\), NCP \(NCI-ULT\), NCP-C \(NCIC-PRO\), NCP-C \(NCIC-ULT\) 1 YEAR SUBSCRIPTION with professional services PID Mapping](#)

[Table 44.1, Nutanix Software NCI, NCI-C, NCI-D, NCP \(NCI-PRO\), NCP \(NCI-ULT\), NCP-C \(NCIC-PRO\), NCP-C \(NCIC-ULT\) 3 YEAR SUBSCRIPTION with professional services PID Mapping](#)

**(4) Nutanix Cloud Infrastructure Edge (NCI-E):**

Nutanix Cloud Infrastructure - Edge (NCI-E) provides a distributed infrastructure platform for small edge deployments. NCI-Edge provides the same capabilities as NCI, combining compute, storage, and networking resources from a cluster of servers into a single logical pool with integrated resiliency, security, performance, and simplified administration. With NCI-Edge, organizations can efficiently extend the Nutanix platform to remote office/branch office (ROBO) and other edge use cases.

- 1 TiB of NUS Pro per NCI-Edge cluster is included at no cost with NCI-Edge.
- NCI-Edge licenses must run on a dedicated licensed cluster with no core-based licensing. Mixing of NCI-Edge licenses with other types of NCI licensing within a cluster is not supported.
- NCI-Edge can be used with any cluster deployment type as long as the conditions mentioned are followed.
- Maximum nodes for the Edge cluster is 5.

**NOTE:**

- For more information about Nutanix Cloud Infrastructure (NCI), please visit <https://www.nutanix.com/products/nutanix-cloud-infrastructure>
- For more information about Nutanix NCI Edge software options, please visit <https://www.nutanix.com/products/cloud-platform/software-options>
- Please note that the Federal Support program is reserved for US Federal accounts. US Federal accounts must select Federal Support Tier for the order to be fulfilled. If a non-Federal account selects a Federal Support program, Nutanix may not fulfill the order. Additionally, Nutanix's Mixed Support Level Guidelines (<https://www.nutanix.com/support-services/product-support/support-policies-and-faqs?show=acordion-4>) requires all software assets within a cluster to have the same support level, else software support will default to the lower option.
- Sellers in the Federal space need to ensure they have the Federal Support SKU's on the quote and order. All orders without the Federal Support SKU's will be rejected by Nutanix. Refer this Knowledge base article for more info: <https://computekb.cisco.com/article/nutanix-support-for-federal-customers.html>
- Authorized Partners of Nutanix can offer Level 1 & Level 2 support for Nutanix Software. for the complete list visit <https://computekb.cisco.com/article/rules-for-ordering-nutanix-partner-support-skus.html>
- NCI-Edge is limited to a maximum of 25 VMs in a cluster, with each VM being limited to a maximum of 96GB of memory.
- The quantity of NCI-Edge license must match with Total number for VMs running in the cluster.
- For the purpose of calculation, internal VMs (or Nutanix infrastructure VMs) such as Controller VM or Prism Central VM are not counted.

**Table 40.3 Nutanix Cloud Infrastructure Edge (NCI-E)**

Product ID (PID)	PID Description
<b>STR - STARTER</b>	
NT-NCI-E-STR-PR	Subscription, Nutanix Cloud Infrastructure (NCI) Starter Software License for Edge sites & Production Software Support Service for 1 VM
NT-NCI-E-STR-MC	Subscription, Nutanix Cloud Infrastructure (NCI) Starter Software License for Edge sites & Mission Critical Software Support Service for 1 VM
NT-NCI-E-STR-AP	Subscription, Nutanix Cloud Infrastructure (NCI) Starter Software License for Edge sites & L3 Production Software Support Service for 1 VM (Authorized Support Partners provides L1, L2 support)

Table 40.3 Nutanix Cloud Infrastructure Edge (NCI-E)

NT-NCI-E-STR-AM	Subscription, Nutanix Cloud Infrastructure (NCI) Starter Software License for Edge sites & L3 Mission Critical Software Support Service for 1 VM (Authorized Support Partners provides L1, L2 support)
NT-NCI-E-STR-FP	Subscription, Nutanix Cloud Infrastructure (NCI) Starter Software License for Edge sites & Federal Production Software Support Service for 1 VM
NT-NCI-E-STR-FM	Subscription, Nutanix Cloud Infrastructure (NCI) Starter Software License for Edge sites & Federal Mission Critical Software Support Service for 1 VM
<b>PRO - PROFESSIONAL</b>	
NT-NCI-E-PRO-PR	Subscription, Nutanix Cloud Infrastructure (NCI) Pro Software License for Edge sites & Production Software Support Service for 1 VM
NT-NCI-E-PRO-MC	Subscription, Nutanix Cloud Infrastructure (NCI) Pro Software License for Edge sites & Mission Critical Software Support Service for 1 VM
NT-NCI-E-PRO-AP	Subscription, Nutanix Cloud Infrastructure (NCI) Pro Software License for Edge sites & L3 Production Software Support Service for 1 VM (Authorized Support Partners provides L1, L2 support)
NT-NCI-E-PRO-AM	Subscription, Nutanix Cloud Infrastructure (NCI) Pro Software License for Edge sites & L3 Mission Critical Software Support Service for 1 VM (Authorized Support Partners provides L1, L2 support)
NT-NCI-E-PRO-FP	Subscription, Nutanix Cloud Infrastructure (NCI) Pro Software License for Edge sites & Federal Production Software Support Service for 1 VM
NT-NCI-E-PRO-FM	Subscription, Nutanix Cloud Infrastructure (NCI) Pro Software License for Edge sites & Federal Mission Critical Software Support Service for 1 VM
<b>ULT - ULTIMATE</b>	
NT-NCI-E-ULT-PR	Subscription, Nutanix Cloud Infrastructure (NCI) Ultimate Software License for Edge sites & Production Software Support Service for 1 VM
NT-NCI-E-ULT-MC	Subscription, Nutanix Cloud Infrastructure (NCI) Ultimate Software License for Edge sites & Mission Critical Software Support Service for 1 VM
NT-NCI-E-ULT-AP	Subscription, Nutanix Cloud Infrastructure (NCI) Ultimate Software License for Edge sites & L3 Production Software Support Service for 1 VM (Authorized Support Partners provides L1, L2 support)
NT-NCI-E-ULT-AM	Subscription, Nutanix Cloud Infrastructure (NCI) Ultimate Software License for Edge sites & L3 Mission Critical Software Support Service for 1 VM (Authorized Support Partners provides L1, L2 support)
NT-NCI-E-ULT-FP	Subscription, Nutanix Cloud Infrastructure (NCI) Ultimate Software License for Edge sites & Federal Production Software Support Service for 1 VM
NT-NCI-E-ULT-FM	Subscription, Nutanix Cloud Infrastructure (NCI) Ultimate Software License for Edge sites & Federal Mission Critical Software Support Service for 1 VM

[Table 44.0, Nutanix Software NCI, NCI-C, NCI-D, NCP \(NCI-PRO\), NCP \(NCI-ULT\), NCP-C \(NCIC-PRO\), NCP-C \(NCIC-ULT\) 1 YEAR SUBSCRIPTION with professional services PID Mapping](#)

[Table 44.1, Nutanix Software NCI, NCI-C, NCI-D, NCP \(NCI-PRO\), NCP \(NCI-ULT\), NCP-C \(NCIC-PRO\), NCP-C \(NCIC-ULT\) 3 YEAR SUBSCRIPTION with professional services PID Mapping](#)

(5) End User Computing (EUC):

Per user model offers hybrid cloud infrastructure capabilities appropriate for on-prem virtual desktop infrastructure (VDI) and Desktop as a Service (DaaS) use cases with pricing based on a Maximum Concurrent User basis (maximum number of provisioned end-user VMs). EUC per user is an alternative to the core-based NCI licensing option and is designed to provide simple, transparent licensing for all VDI users, regardless of the underlying hardware, hypervisor, or cloud.

- **Agnostic:** Works with any EUC management platform including Citrix Virtual Apps & Desktops and VMware Horizon
- **Term license:** Term license must run on a dedicated software licensed VDI cluster with no core-based licensing. Mixing of non-VDI workloads is not supported
- **Unified Storage:** Built-in and also available as a per TiB base add-on
- No additional license cost for DR site
- Portable across on-premises and public cloud, public cloud use requires Ultimate edition
- Available in Starter, Pro, and Ultimate editions
- Cloud Native and Database Service Add-ons not available with NCI EUC. Advanced Replication and Security Add-on features require NCI Ultimate edition

	EUC STARTER	EUC PROFESSIONAL	VDI ULTIMATE
NCI Feature Set	Everything in NCI Starter	Everything in NCI Professional	Everything in NCI Ultimate
Nutanix Unified Storage	1 TiB Free Capacity	50 GB Per User	100GB Per User



**NOTE:**

- For more information on End User Computing (EUC), please visit <https://www.nutanix.com/solutions/end-user-computing>
- For more information about Nutanix Cloud Platform software options, please visit <https://www.nutanix.com/products/cloud-platform/software-options>
- If the end user wants to run a mixed workload on same server (virtual machines that are not part of the VDI environment), NCI license is required.
- Please note that the Federal Support program is reserved for US Federal accounts. US Federal accounts must select Federal Support Tier for the order to be fulfilled. If a non-Federal account selects a Federal Support program, Nutanix may not fulfill the order. Additionally, Nutanix's Mixed Support Level Guidelines(<https://www.nutanix.com/support-services/product-support/support-policies-and-faqs?show=accordion-4>) requires all software assets within a cluster to have the same support level, else software support will default to the lower option.
- Sellers in the Federal space need to ensure they have the Federal Support SKU's on the quote and order. All orders without the Federal Support SKU's will be rejected by Nutanix. Refer this Knowledge base article for more info: <https://computekb.cisco.com/article/nutanix-support-for-federal-customers.html>
- Authorized Partners of Nutanix can offer Level 1 & Level 2 support for Nutanix Software. for the complete list visit <https://computekb.cisco.com/article/rules-for-ordering-nutanix-partner-support-skus.html>
- For 'PURE" EUC/VDI environment, there is no NCI license required.

Table 40.4 End User Computing (EUC)

Product ID (PID)	PID Description
<b>STR - STARTER</b>	
NT-EUC-STR-PR	Subscription, End User Computing (EUC) Starter Software License & Production Software Support Service for 1 User
NT-EUC-STR-MC	Subscription, End User Computing (EUC) Starter Software License & Mission Critical Software Support Service for 1 User
NT-EUC-STR-AP	Subscription, End User Computing (EUC) Starter Software License & L3 Production Software Support Service for 1 User (Authorized Support Partners provides L1, L2 support)
NT-EUC-STR-AM	Subscription, End User Computing (EUC) Starter Software License & L3 Mission Critical Software Support Service for 1 User (Authorized Support Partners provides L1, L2 support)
NT-EUC-STR-FP	Subscription, End User Computing (EUC) Starter Software License & Federal Production Software Support Service for 1 User
NT-EUC-STR-FM	Subscription, End User Computing (EUC) Starter Software License & Federal Mission Critical Software Support Service for 1 User
<b>PRO- PROFESSIONAL</b>	
NT-EUC-PRO-PR	Subscription, End User Computing (EUC) Pro Software License & Production Software Support Service for 1 User
NT-EUC-PRO-MC	Subscription, End User Computing (EUC) Pro Software License & Mission Critical Software Support Service for 1 User
NT-EUC-PRO-AP	Subscription, End User Computing (EUC) Pro Software License & L3 Production Software Support Service for 1 User (Authorized Support Partners provides L1, L2 support)
NT-EUC-PRO-AM	Subscription, End User Computing (EUC) Pro Software License & L3 Mission Critical Software Support Service for 1 User (Authorized Support Partners provides L1, L2 support)
NT-EUC-PRO-FP	Subscription, End User Computing (EUC) Pro Software License & Federal Production Software Support Service for 1 User
NT-EUC-PRO-FM	Subscription, End User Computing (EUC) Pro Software License & Federal Mission Critical Software Support Service for 1 User
<b>ULT - ULTIMATE</b>	
NT-EUC-ULT-PR	Subscription, End User Computing (EUC) Ultimate Software License & Production Software Support Service for 1 User
NT-EUC-ULT-MC	Subscription, End User Computing (EUC) Ultimate Software License & Mission Critical Software Support Service for 1 User
NT-EUC-ULT-AP	Subscription, End User Computing (EUC) Ultimate Software License & L3 Production Software Support Service for 1 User (Authorized Support Partners provides L1, L2 support)

Table 40.4 End User Computing (EUC)

NT-EUC-ULT-AM	Subscription, End User Computing (EUC) Ultimate Software License & L3 Mission Critical Software Support Service for 1 User (Authorized Support Partners provides L1, L2 support)
NT-EUC-ULT-FP	Subscription, End User Computing (EUC) Ultimate Software License & Federal Production Software Support Service for 1 User
NT-EUC-ULT-FM	Subscription, End User Computing (EUC) Ultimate Software License & Federal Mission Critical Software Support Service for 1 User

Table 44.0, Nutanix Software NCI, NCI-C, NCI-D, NCP (NCI-PRO), NCP (NCI-ULT), NCP-C (NCIC-PRO), NCP-C (NCIC-ULT) 1 YEAR SUBSCRIPTION with professional services PID Mapping

Table 44.1, Nutanix Software NCI, NCI-C, NCI-D, NCP (NCI-PRO), NCP (NCI-ULT), NCP-C (NCIC-PRO), NCP-C (NCIC-ULT) 3 YEAR SUBSCRIPTION with professional services PID Mapping

**(6) Nutanix Cloud Manager (NCM):**

Nutanix Cloud Manager (NCM) is a hybrid multi-cloud management platform for building a cloud operating model. NCM provides Intelligent Operations, Self-Service, Cost Governance, and Security natively with the Nutanix Platform or through a SaaS subscription.

- Self-service VMs and Apps are defined via simple blueprints, easily created, and managed via GUI/CLI.
- Management of IT lifecycle includes visibility, optimization, and financial control over multi-cloud deployments.
- Detect, monitor, and remediate security vulnerabilities and compliance near real-time across multiple cloud environment



**NOTE:**

- For more information Nutanix Cloud Manager (NCM), please visit <https://www.nutanix.com/products/cloud-manager>
- For more information about Nutanix Cloud Platform software options, please visit <https://www.nutanix.com/products/cloud-platform/software-options>
- Please note that the Federal Support program is reserved for US Federal accounts. US Federal accounts must select Federal Support Tier for the order to be fulfilled. If a non-Federal account selects a Federal Support program, Nutanix may not fulfill the order. Additionally, Nutanix's Mixed Support Level Guidelines(<https://www.nutanix.com/support-services/product-support/support-policies-and-faqs?show=accordion-4>) requires all software assets within a cluster to have the same support level, else software support will default to the lower option.
- Sellers in the Federal space need to ensure they have the Federal Support SKU's on the quote and order. All orders without the Federal Support SKU's will be rejected by Nutanix. Refer this Knowledge base article for more info: <https://computekb.cisco.com/article/nutanix-support-for-federal-customers.html>
- Authorized Partners of Nutanix can offer Level 1 & Level 2 support for Nutanix Software. For the complete list visit <https://computekb.cisco.com/article/rules-for-ordering-nutanix-partner-support-skus.html>
- The quantity of NCM license must match with total number for processor cores in hardware platforms.

**Table 40.5 Nutanix Cloud Manager (NCM)**

Product ID (PID)	PID Description
STR - STARTER	
NT-NCM-STR-PR	Subscription, Nutanix Cloud Manager (NCM) Starter Software License & Production Software Support Service for 1 CPU Core
NT-NCM-STR-MC	Subscription, Nutanix Cloud Manager (NCM) Starter Software License & Mission Critical Software Support Service for 1 CPU Core
NT-NCM-STR-AP	Subscription, Nutanix Cloud Manager (NCM) Starter Software License & L3 Production Software Support Service for 1 CPU Core (Authorized Support Partners provides L1, L2 support)
NT-NCM-STR-AM	Subscription, Nutanix Cloud Manager (NCM) Starter Software License & L3 Mission Critical Software Support Service for 1 CPU Core (Authorized Support Partners provides L1, L2 support)

Table 40.5 Nutanix Cloud Manager (NCM)

NT-NCM-STR-FP	Subscription, Nutanix Cloud Manager (NCM) Starter Software License & Federal Production Software Support Service for 1 CPU Core
NT-NCM-STR-FM	Subscription, Nutanix Cloud Manager (NCM) Starter Software License & Federal Mission Critical Software Support Service for 1 CPU Core
<b>PRO - PROFESSIONAL</b>	
NT-NCM-PRO-PR	Subscription, Nutanix Cloud Manager (NCM) Pro Software License & Production Software Support Service for 1 CPU Core
NT-NCM-PRO-MC	Subscription, Nutanix Cloud Manager (NCM) Pro Software License & Mission Critical Software Support Service for 1 CPU Core
NT-NCM-PRO-AP	Subscription, Nutanix Cloud Manager (NCM) Pro Software License & L3 Production Software Support Service for 1 CPU Core (Authorized Support Partners provides L1, L2 support)
NT-NCM-PRO-AM	Subscription, Nutanix Cloud Manager (NCM) Pro Software License & L3 Mission Critical Software Support Service for 1 CPU Core (Authorized Support Partners provides L1, L2 support)
NT-NCM-PRO-FP	Subscription, Nutanix Cloud Manager (NCM) Pro Software License & Federal Production Software Support Service for 1 CPU Core
NT-NCM-PRO-FM	Subscription, Nutanix Cloud Manager (NCM) Pro Software License & Federal Mission Critical Software Support Service for 1 CPU Core
<b>ULT - ULTIMATE</b>	
NT-NCM-ULT-PR	Subscription, Nutanix Cloud Manager (NCM) Ultimate Software License & Production Software Support Service for 1 CPU Core
NT-NCM-ULT-MC	Subscription, Nutanix Cloud Manager (NCM) Ultimate Software License & Mission Critical Software Support Service for 1 CPU Core
NT-NCM-ULT-AP	Subscription, Nutanix Cloud Manager (NCM) Ultimate Software License & L3 Production Software Support Service for 1 CPU Core (Authorized Support Partners provides L1, L2 support)
NT-NCM-ULT-AM	Subscription, Nutanix Cloud Manager (NCM) Ultimate Software License & L3 Mission Critical Software Support Service for 1 CPU Core (Authorized Support Partners provides L1, L2 support)
NT-NCM-ULT-FP	Subscription, Nutanix Cloud Manager (NCM) Ultimate Software License & Federal Production Software Support Service for 1 CPU Core
NT-NCM-ULT-FM	Subscription, Nutanix Cloud Manager (NCM) Ultimate Software License & Federal Mission Critical Software Support Service for 1 CPU Core
<b>COST GOVERNANCE</b>	
NT-NCM-CM-FP	Subscription, NCM Cost Governance as a Service for US Federal including Production Support for 1 VM
NT-NCM-CM-OV-FP	Overage, NCM Cost Governance as a Service for US Federal including Production Support for 1 VM

Table 40.5 Nutanix Cloud Manager (NCM)

NT-NCM-CM-OV-PR	Overage, NCM Cost Governance as a Service including Production Support for 1 VM
NT-NCM-CM-PR	Subscription, NCM Cost Governance as a Service including Production Support for 1 VM
<b>SECURITY CENTRAL</b>	
NT-NCM-SC-FP	Subscription, NCM Security Central as a Service for US Federal including Production Support for 1 VM
NT-NCM-SC-OV-FP	Overage, NCM Security Central as a Service for US Federal including Production Support for 1 VM
NT-NCM-SC-OV-PR	Overage, NCM Security Central as a Service including Production Support for 1 VM
NT-NCM-SC-PR	Subscription, NCM Security Central as a Service including Production Support for 1 VM
<b>SELF SERVICE</b>	
NT-NCM-SS-OV-PR	Overage, NCM Self-Service & Orchestration as a Service including Production Support for 1 VM
NT-NCM-SS-PR	Subscription, NCM Self-Service & Orchestration as a Service including Production Support for 1 VM

Table 45, Nutanix Software NCM STR 1 YEAR AND 3 YEAR & ABOVE SUBSCRIPTION with Professional Services PID Mapping

Table 46, Nutanix Software NCM PRO, NCM ULT, NCP (NCM-PRO), NCP (NCM-ULT) 1 YEAR AND 3 YEAR & ABOVE SUBSCRIPTION with Professional services

(7) Nutanix Cloud Manager Edge (NME):

Nutanix Cloud Manager (NCM) is a hybrid multi-cloud management platform for building a cloud operating model. NCM provides Intelligent Operations, Self-Service, Cost Governance, and Security natively with the Nutanix Platform or through a SaaS subscription.

- Self-service VMs and Apps are defined via simple blueprints, easily created, and managed via GUI/CLI.
- Management of IT lifecycle includes visibility, optimization, and financial control over multi-cloud deployments.
- Detect, monitor, and remediate security vulnerabilities and compliance near real-time across multiple cloud environment.



**NOTE:**

- For more information Nutanix Cloud Manager (NCM), please visit <https://www.nutanix.com/products/cloud-manager>
- For more information about Nutanix Cloud Platform software options, please visit <https://www.nutanix.com/products/cloud-platform/software-options>
- Please note that the Federal Support program is reserved for US Federal accounts. US Federal accounts must select Federal Support Tier for the order to be fulfilled. If a non-Federal account selects a Federal Support program, Nutanix may not fulfill the order. Additionally, Nutanix's Mixed Support Level Guidelines(<https://www.nutanix.com/support-services/product-support/support-policies-and-faqs?show=accordion-4>) requires all software assets within a cluster to have the same support level, else software support will default to the lower option.
- Sellers in the Federal space need to ensure they have the Federal Support SKU's on the quote and order. All orders without the Federal Support SKU's will be rejected by Nutanix.Refer this Knowledge base article for more info: <https://computekb.cisco.com/article/nutanix-support-for-federal-customers.html>
- PC 2024.2 is the minimum requirement for these licenses to be applied. Check and confirm the release schedule of PC before ordering these licenses.
- Authorized Partners of Nutanix can offer Level 1 & Level 2 support for Nutanix Software. For the complete list visit <https://computekb.cisco.com/article/rules-for-ordering-nutanix-partner-support-skus.html>

Table 40.6 Nutanix Cloud Manager Edge (NME)

Product ID (PID)	PID Description
STR - STARTER	
NT-NME-STR-PR	Subscription, Nutanix Cloud Manager (NCM) Starter Software License for Edge Sites & Production Software Support Service per VM
NT-NME-STR-MC	Subscription, Nutanix Cloud Manager (NCM) Starter Software License for Edge Sites & Mission Critical Software Support Service per VM
NT-NME-STR-AP	Subscription, Nutanix Cloud Manager (NCM) Starter Software License for Edge Sites & L3 Production Software Support Service per VM (Authorized Support Partners provides L1, L2 support)
NT-NME-STR-AM	Subscription, Nutanix Cloud Manager (NCM) Starter Software License for Edge Sites & L3 Mission Critical Software Support Service per VM (Authorized Support Partners provides L1, L2 support)

Table 40.6 Nutanix Cloud Manager Edge (NME)

NT-NME-STR-FP	Subscription, Nutanix Cloud Manager (NCM) Starter Software License for Edge Sites & FED Production Software Support Service per VM
NT-NME-STR-FM	Subscription, Nutanix Cloud Manager (NCM) Starter Software License for Edge Sites & FED Mission Critical Software Support Service per VM
<b>PRO- PROFESSIONAL</b>	
NT-NME-PRO-PR	Subscription, Nutanix Cloud Manager (NCM) Professional Software License for Edge Sites & Production Software Support Service per VM
NT-NME-PRO-MC	Subscription, Nutanix Cloud Manager (NCM) Professional Software License for Edge Sites & Mission Critical Software Support Service per VM
NT-NME-PRO-AP	Subscription, Nutanix Cloud Manager (NCM) Professional Software License for Edge Sites & L3 Production Software Support Service per VM (Authorized Support Partners provides L1, L2 support)
NT-NME-PRO-AM	Subscription, Nutanix Cloud Manager (NCM) Professional Software License for Edge Sites & L3 Mission Critical Software Support Service per VM (Authorized Support Partners provides L1, L2 support)
NT-NME-PRO-FP	Subscription, Nutanix Cloud Manager (NCM) Professional Software License for Edge Sites & FED Production Software Support Service per VM
NT-NME-PRO-FM	Subscription, Nutanix Cloud Manager (NCM) Professional Software License for Edge Sites & FED Mission Critical Software Support Service per VM
<b>ULT - ULTIMATE</b>	
NT-NME-ULT-PR	Subscription, Nutanix Cloud Manager (NCM) Ultimate Software License for Edge Sites & Production Software Support Service per VM
NT-NME-ULT-MC	Subscription, Nutanix Cloud Manager (NCM) Ultimate Software License for Edge Sites & Mission Critical Software Support Service per VM
NT-NME-ULT-AP	Subscription, Nutanix Cloud Manager (NCM) Ultimate Software License for Edge Sites & L3 Production Software Support Service per VM (Authorized Support Partners provides L1, L2 support)
NT-NME-ULT-AM	Subscription, Nutanix Cloud Manager (NCM) Ultimate Software License for Edge Sites & L3 Mission Critical Software Support Service per VM (Authorized Support Partners provides L1, L2 support)
NT-NME-ULT-FP	Subscription, Nutanix Cloud Manager (NCM) Ultimate Software License for Edge Sites & FED Production Software Support Service per VM
NT-NME-ULT-FM	Subscription, Nutanix Cloud Manager (NCM) Ultimate Software License for Edge Sites & FED Mission Critical Software Support Service per VM

[Table 45, Nutanix Software NCM STR 1 YEAR AND 3 YEAR & ABOVE SUBSCRIPTION with Professional Services PID Mapping](#)

[Table 46, Nutanix Software NCM PRO, NCM ULT, NCP \(NCM-PRO\), NCP \(NCM-ULT\) 1 YEAR AND 3 YEAR & ABOVE SUBSCRIPTION with Professional services](#)

(8) Nutanix Cloud Manager EUC (NCM-U):

Nutanix Cloud Manager (NCM) is a hybrid multi-cloud management platform for building a cloud operating model. NCM provides Intelligent Operations, Self-Service, Cost Governance, and Security natively with the Nutanix Platform or through a SaaS subscription.

- Self-service VMs and Apps are defined via simple blueprints, easily created, and managed via GUI/CLI.
- Management of IT lifecycle includes visibility, optimization, and financial control over multi-cloud deployments.
- Detect, monitor, and remediate security vulnerabilities and compliance near real-time across multiple cloud environment.



**NOTE:**

- For more information Nutanix Cloud Manager (NCM), please visit <https://www.nutanix.com/products/cloud-manager>
- For more information about Nutanix Cloud Platform software options, please visit <https://www.nutanix.com/products/cloud-platform/software-options>
- Please note that the Federal Support program is reserved for US Federal accounts. US Federal accounts must select Federal Support Tier for the order to be fulfilled. If a non-Federal account selects a Federal Support program, Nutanix may not fulfill the order. Additionally, Nutanix's Mixed Support Level Guidelines(<https://www.nutanix.com/support-services/product-support/support-policies-and-faqs?show=accordion-4>) requires all software assets within a cluster to have the same support level, else software support will default to the lower option.
- Sellers in the Federal space need to ensure they have the Federal Support SKU's on the quote and order. All orders without the Federal Support SKU's will be rejected by Nutanix. Refer this Knowledge base article for more info: <https://computekb.cisco.com/article/nutanix-support-for-federal-customers.html>
- PC 2024.2 is the minimum requirement for these licenses to be applied. Check and confirm the release schedule of PC before ordering these licenses.
- Authorized Partners of Nutanix can offer Level 1 & Level 2 support for Nutanix Software. For the complete list visit <https://computekb.cisco.com/article/rules-for-ordering-nutanix-partner-support-skus.html>

Table 40.7 Nutanix Cloud Manager EUC (NCM-U)

Product ID (PID)	PID Description
<b>STR - STARTER</b>	
NT-NCM-U-STR-PR	Subscription, Nutanix Cloud Manager (NCM) Starter Software License for EUC & Production Software Support Service per User
NT-NCM-U-STR-MC	Subscription, Nutanix Cloud Manager (NCM) Starter Software License for EUC & Mission Critical Software Support Service per User
NT-NCM-U-STR-AP	Subscription, Nutanix Cloud Manager (NCM) Starter Software License for EUC & L3 Production Software Support Service per User (Authorized Support Partners provides L1, L2 support)
NT-NCM-U-STR-AM	Subscription, Nutanix Cloud Manager (NCM) Starter Software License for EUC & L3 Mission Critical Software Support Service per User (Authorized Support Partners provides L1, L2 support)
NT-NCM-U-STR-FP	Subscription, Nutanix Cloud Manager (NCM) Starter Software License for EUC & FED Production Software Support Service per User

Table 40.7 Nutanix Cloud Manager EUC (NCM-U)

NT-NCM-U-STR-FM	Subscription, Nutanix Cloud Manager (NCM) Starter Software License for EUC & FED Mission Critical Software Support Service per User
<b>PRO - PROFESSIONAL</b>	
NT-NCM-U-PRO-PR	Subscription, Nutanix Cloud Manager (NCM) Professional Software License for EUC & Production Software Support Service per User
NT-NCM-U-PRO-MC	Subscription, Nutanix Cloud Manager (NCM) Professional Software License for EUC & Mission Critical Software Support Service per User
NT-NCM-U-PRO-AP	Subscription, Nutanix Cloud Manager (NCM) Professional Software License for EUC & L3 Production Software Support Service per User (Authorized Support Partners provides L1, L2 support)
NT-NCM-U-PRO-AM	Subscription, Nutanix Cloud Manager (NCM) Professional Software License for EUC & L3 Mission Critical Software Support Service per User (Authorized Support Partners provides L1, L2 support)
NT-NCM-U-PRO-FP	Subscription, Nutanix Cloud Manager (NCM) Professional Software License for EUC & FED Production Software Support Service per User
NT-NCM-U-PRO-FM	Subscription, Nutanix Cloud Manager (NCM) Professional Software License for EUC & FED Mission Critical Software Support Service per User
<b>ULT - ULTIMATE</b>	
NT-NCM-U-ULT-PR	Subscription, Nutanix Cloud Manager (NCM) Ultimate Software License for EUC & Production Software Support Service per User
NT-NCM-U-ULT-MC	Subscription, Nutanix Cloud Manager (NCM) Ultimate Software License for EUC & Mission Critical Software Support Service per User
NT-NCM-U-ULT-AP	Subscription, Nutanix Cloud Manager (NCM) Ultimate Software License for EUC & L3 Production Software Support Service per User (Authorized Support Partners provides L1, L2 support)
NT-NCM-U-ULT-AM	Subscription, Nutanix Cloud Manager (NCM) Ultimate Software License for EUC & L3 Mission Critical Software Support Service per User (Authorized Support Partners provides L1, L2 support)
NT-NCM-U-ULT-FP	Subscription, Nutanix Cloud Manager (NCM) Ultimate Software License for EUC & FED Production Software Support Service per User
NT-NCM-U-ULT-FM	Subscription, Nutanix Cloud Manager (NCM) Ultimate Software License for EUC & FED Mission Critical Software Support Service per User

[Table 45, Nutanix Software NCM STR 1 YEAR AND 3 YEAR & ABOVE SUBSCRIPTION with Professional Services PID Mapping](#)

[Table 46, Nutanix Software NCM PRO, NCM ULT, NCP \(NCM-PRO\), NCP \(NCM-ULT\) 1 YEAR AND 3 YEAR & ABOVE SUBSCRIPTION with Professional services](#)

(9) Nutanix Cloud Platform (NCP) - Compute

9.1 Nutanix Cloud Platform (NCP):

Nutanix Cloud Infrastructure (NCI) and Nutanix Cloud Manager (NCM) can be purchased together in ‘better together’ Nutanix Cloud Platform (NCP) bundles:

Nutanix Cloud Platform (NCP)	Nutanix Cloud Infrastructure (NCI) Included	Nutanix Cloud Manager (NCM) Edition included
NCP Starter	NCI Professional	NCM Professional
NCP Professional	NCI Ultimate	NCM Professional
NCP Ultimate	NCI Ultimate	NCM Ultimate



NOTE:

- For more information on Nutanix Cloud Platform (NCP) bundles, please visit <https://www.nutanix.com/products/cloud-platform/software-options>
- For more information about Nutanix Cloud Platform software options, please visit <https://www.nutanix.com/products/cloud-platform/software-options>
- Please note that the Federal Support program is reserved for US Federal accounts. US Federal accounts must select Federal Support Tier for the order to be fulfilled. If a non-Federal account selects a Federal Support program, Nutanix may not fulfill the order. Additionally, Nutanix’s Mixed Support Level Guidelines (<https://www.nutanix.com/support-services/product-support/support-policies-and-faqs?show=accordion-4>) requires all software assets within a cluster to have the same support level, else software support will default to the lower option.
- Sellers in the Federal space need to ensure they have the Federal Support SKU’s on the quote and order. All orders without the Federal Support SKU’s will be rejected by Nutanix. Refer this Knowledge base article for more info: <https://computekb.cisco.com/article/nutanix-support-for-federal-customers.html>
- Authorized Partners of Nutanix can offer Level 1 & Level 2 support for Nutanix Software. For the complete list visit <https://computekb.cisco.com/article/rules-for-ordering-nutanix-partner-support-skus.html>
- The total number of cores for NCI and NCM should be same as NCP
- The support tiers for NCI and NCM should be same as NCP

9.2 Nutanix Cloud Platform - Compute Only (NCP-C):

Nutanix Cloud Infrastructure (NCI-C) and Nutanix Cloud Manager (NCM) can be purchased together in ‘better together’ Nutanix Cloud Platform (NCP-C) bundles:

Nutanix Cloud Platform - Compute Only (NCP-C)	Nutanix Cloud Infrastructure - Compute Only (NCI-C) Included	Nutanix Cloud Manager (NCM) Edition included
NCP-C Starter	NCI-C Professional	NCM Professional
NCP-C Professional	NCI-C Ultimate	NCM Professional
NCP-C Ultimate	NCI-C Ultimate	NCM Ultimate



**NOTE:**

- For more information about Nutanix Cloud Infrastructure- Compute (NCI-C), please visit <https://www.nutanix.com/products/nutanix-cloud-infrastructure/compute>
- For more information about Nutanix Cloud Infrastructure capabilities and software options, please visit <https://www.nutanix.com/library/datasheets/nci-c>
- Please note that the Federal Support program is reserved for US Federal accounts. US Federal accounts must select Federal Support Tier for the order to be fulfilled. If a non-Federal account selects a Federal Support program, Nutanix may not fulfill the order. Additionally, Nutanix's Mixed Support Level Guidelines (<https://www.nutanix.com/support-services/product-support/support-policies-and-faqs?show=accordion-4>) requires all software assets within a cluster to have the same support level, else software support will default to the lower option.
- Sellers in the Federal space need to ensure they have the Federal Support SKU's on the quote and order. All orders without the Federal Support SKU's will be rejected by Nutanix. Refer this Knowledge base article for more info: <https://computekb.cisco.com/article/nutanix-support-for-federal-customers.html>
- The total number of cores for NCI-C and NCM should be same as NCP-C
- The support tiers for NCI-C and NCM should be same as NCP-C



**WARNING:**

- The NCP-C, NCI-C, and NCM license requires a minimum initial purchase of 2,000 cores.
- After this threshold is met, the customer is no longer subject to a minimum core requirement for subsequent orders, but quantity of NCP-C, NCI-C, and NCM license must match with total number for processor cores in hardware platforms.

Table 40.8 Nutanix Cloud Platform (NCP) / Nutanix Cloud Platform - Compute Only (NCP-C)

Product ID (PID)	PID Description
<b>NCP STR - STARTER</b>	
NT-NCP-STR-PR	Subscription, Nutanix Cloud Platform Starter Software License & Production Software Support Service for 1 CPU Core
NT-NCP-STR-MC	Subscription, Nutanix Cloud Platform Starter Software License & Mission Critical Software Support Service for 1 CPU Core
NT-NCP-STR-AP	Subscription, Nutanix Cloud Platform Starter Software License & L3 Production Software Support Service for 1 CPU Core (Authorized Support Partners provides L1, L2 support)
NT-NCP-STR-AM	Subscription, Nutanix Cloud Platform Starter Software License & L3 Mission Critical Software Support Service for 1 CPU Core (Authorized Support Partners provides L1, L2 support)
NT-NCP-STR-FP	Subscription, Nutanix Cloud Platform Starter Software License & Federal Production Software Support Service for 1 CPU Core
NT-NCP-STR-FM	Subscription, Nutanix Cloud Platform Starter Software License & Federal Mission Critical Software Support Service for 1 CPU Core
<b>NCP-C STR - STARTER</b>	
NT-NCP-C-STR-PR	Subscription, Nutanix Cloud Platform - Compute Only (NCP-C) Starter Software License & Production Software Support Service for 1 CPU Core

Table 40.8 Nutanix Cloud Platform (NCP) / Nutanix Cloud Platform - Compute Only (NCP-C)

NT-NCP-C-STR-MC	Subscription, Nutanix Cloud Platform - Compute Only (NCP-C) Starter Software License & Mission Critical Software Support Service for 1 CPU Core
NT-NCP-C-STR-FP	Subscription, Nutanix Cloud Platform - Compute Only (NCP-C) Starter Software License & Federal Production Software Support Service for 1 CPU Core
NT-NCP-C-STR-FM	Subscription, Nutanix Cloud Platform - Compute Only (NCP-C) Starter Software License & Federal Mission Critical Software Support Service for 1 CPU Core
<b>NCP PRO- PROFESSIONAL</b>	
NT-NCP-PRO-PR	Subscription, Nutanix Cloud Platform Pro Software License & Production Software Support Service for 1 CPU Core
NT-NCP-PRO-MC	Subscription, Nutanix Cloud Platform Pro Software License & Mission Critical Software Support Service for 1 CPU Core
NT-NCP-PRO-AP	Subscription, Nutanix Cloud Platform Pro Software License & L3 Production Software Support Service for 1 CPU Core (Authorized Support Partners provides L1, L2 support)
NT-NCP-PRO-AM	Subscription, Nutanix Cloud Platform Pro Software License & L3 Mission Critical Software Support Service for 1 CPU Core (Authorized Support Partners provides L1, L2 support)
NT-NCP-PRO-FP	Subscription, Nutanix Cloud Platform Pro Software License & Federal Production Software Support Service for 1 CPU Core
NT-NCP-PRO-FM	Subscription, Nutanix Cloud Platform Pro Software License & Federal Mission Critical Software Support Service for 1 CPU Core
<b>NCP-C PRO- PROFESSIONAL</b>	
NT-NCP-C-PRO-PR	Subscription, Nutanix Cloud Platform - Compute Only (NCP-C) Pro Software License & Production Software Support Service for 1 CPU Core
NT-NCP-C-PRO-MC	Subscription, Nutanix Cloud Platform - Compute Only (NCP-C) Pro Software License & Mission Critical Software Support Service for 1 CPU Core
NT-NCP-C-PRO-FP	Subscription, Nutanix Cloud Platform - Compute Only (NCP-C) Pro Software License & Federal Production Software Support Service for 1 CPU Core
NT-NCP-C-PRO-FM	Subscription, Nutanix Cloud Platform - Compute Only (NCP-C) Pro Software License & Federal Mission Critical Software Support Service for 1 CPU Core
<b>NCP ULT-ULTIMATE</b>	
NT-NCP-ULT-PR	Subscription, Nutanix Cloud Platform Ultimate Software License & Production Software Support Service for 1 CPU Core
NT-NCP-ULT-MC	Subscription, Nutanix Cloud Platform Ultimate Software License & Mission Critical Software Support Service for 1 CPU Core
NT-NCP-ULT-AP	Subscription, Nutanix Cloud Platform Ultimate Software License & L3 Production Software Support Service for 1 CPU Core (Authorized Support Partners provides L1, L2 support)

Table 40.8 Nutanix Cloud Platform (NCP) / Nutanix Cloud Platform - Compute Only (NCP-C)

NT-NCP-ULT-AM	Subscription, Nutanix Cloud Platform Ultimate Software License & L3 Mission Critical Software Support Service for 1 CPU Core (Authorized Support Partners provides L1, L2 support)
NT-NCP-ULT-FP	Subscription, Nutanix Cloud Platform Ultimate Software License & Federal Production Software Support Service for 1 CPU Core
NT-NCP-ULT-FM	Subscription, Nutanix Cloud Platform Ultimate Software License & Federal Mission Critical Software Support Service for 1 CPU Core
<b>NCP-C ULT-ULTIMATE</b>	
NT-NCP-C-ULT-PR	Subscription, Nutanix Cloud Platform - Compute Only (NCP-C) Ultimate Software License & Production Software Support Service for 1 CPU Core
NT-NCP-C-ULT-MC	Subscription, Nutanix Cloud Platform - Compute Only (NCP-C) Ultimate Software License & Mission Critical Software Support Service for 1 CPU Core
NT-NCP-C-ULT-FP	Subscription, Nutanix Cloud Platform - Compute Only (NCP-C) Ultimate Software License & Federal Production Software Support Service for 1 CPU Core
NT-NCP-C-ULT-FM	Subscription, Nutanix Cloud Platform - Compute Only (NCP-C) Ultimate Software License & Federal Mission Critical Software Support Service for 1 CPU Core
<b>NCI PROFESSIONAL</b>	
NT-NCP-NCI-PRO-PR	Subscription, (included in NCP) Nutanix Cloud Infrastructure (NCI) Pro Software License & Production Software Support Service for 1 CPU Core
NT-NCP-NCI-PRO-MC	Subscription, (included in NCP) Nutanix Cloud Infrastructure (NCI) Pro Software License & Mission Critical Software Support Service for 1 CPU Core
NT-NCP-NCI-PRO-AP	Subscription, (included in NCP) Nutanix Cloud Infrastructure (NCI) Pro Software License & L3 Production Software Support Service for 1 CPU Core (Authorized Support Partners provides L1, L2 support)
NT-NCP-NCI-PRO-AM	Subscription, (included in NCP) Nutanix Cloud Infrastructure (NCI) Pro Software License & L3 Mission Critical Software Support Service for 1 CPU Core (Authorized Support Partners provides L1, L2 support)
NT-NCP-NCI-PRO-FP	Subscription, (included in NCP) Nutanix Cloud Infrastructure (NCI) Pro Software License & Federal Production Software Support Service for 1 CPU Core
NT-NCP-NCI-PRO-FM	Subscription, (included in NCP) Nutanix Cloud Infrastructure (NCI) Pro Software License & Federal Mission Critical Software Support Service for 1 CPU Core
<b>NCI-C PROFESSIONAL</b>	
NT-NCP-NCIC-PO-PR	Subscription, (included in NCP-C) Nutanix Cloud Infrastructure - Compute Only (NCI-C) Pro Software License & Production Software Support Service for 1 CPU Core
NT-NCP-NCIC-PO-MC	Subscription, (included in NCP-C) Nutanix Cloud Infrastructure - Compute Only (NCI-C) Pro Software License & Mission Critical Software Support Service for 1 CPU Core
NT-NCP-NCIC-PO-FP	Subscription, (included in NCP-C) Nutanix Cloud Infrastructure - Compute Only (NCI-C) Pro Software License & Federal/Stateside Production Software Support Service for 1 CPU Core

Table 40.8 Nutanix Cloud Platform (NCP) / Nutanix Cloud Platform - Compute Only (NCP-C)

NT-NCP-NCIC-PO-FM	Subscription, (included in NCP-C) Nutanix Cloud Infrastructure - Compute Only (NCI-C) Pro Software License & Federal/Stateside Mission Critical Software Support Service for 1 CPU Core
<b>NCI ULTIMATE</b>	
NT-NCP-NCI-ULT-PR	Subscription, (included in NCP) Nutanix Cloud Infrastructure (NCI) Ultimate Software License & Production Software Support Service for 1 CPU Core
NT-NCP-NCI-ULT-MC	Subscription, (included in NCP) Nutanix Cloud Infrastructure (NCI) Ultimate Software License & Mission Critical Software Support Service for 1 CPU Core
NT-NCP-NCI-ULT-AP	Subscription, (included in NCP) Nutanix Cloud Infrastructure (NCI) Ultimate Software License & L3 Production Software Support Service for 1 CPU Core (Authorized Support Partners provides L1, L2 support)
NT-NCP-NCI-ULT-AM	Subscription, (included in NCP) Nutanix Cloud Infrastructure (NCI) Ultimate Software License & L3 Mission Critical Software Support Service for 1 CPU Core (Authorized Support Partners provides L1, L2 support)
NT-NCP-NCI-ULT-FP	Subscription, (included in NCP) Nutanix Cloud Infrastructure (NCI) Ultimate Software License & Federal Production Software Support Service for 1 CPU Core
NT-NCP-NCI-ULT-FM	Subscription, (included in NCP) Nutanix Cloud Infrastructure (NCI) Ultimate Software License & Federal Mission Critical Software Support Service for 1 CPU Core
<b>NCI-C ULTIMATE</b>	
NT-NCP-NCIC-UT-PR	Subscription, (included in NCP-C) Nutanix Cloud Infrastructure - Compute Only (NCI-C) Ultimate Software License & Production Software Support Service for 1 CPU Core
NT-NCP-NCIC-UT-MC	Subscription, (included in NCP-C) Nutanix Cloud Infrastructure - Compute Only (NCI-C) Ultimate Software License & Mission Critical Software Support Service for 1 CPU Core
NT-NCP-NCIC-UT-FP	Subscription, (included in NCP-C) Nutanix Cloud Infrastructure - Compute Only (NCI-C) Ultimate Software License & Federal/Stateside Production Software Support Service for 1 CPU Core
NT-NCP-NCIC-UT-FM	Subscription, (included in NCP-C) Nutanix Cloud Infrastructure - Compute Only (NCI-C) Ultimate Software License & Federal/Stateside Mission Critical Software Support Service for 1 CPU Core
<b>NCM PROFESSIONAL</b>	
NT-NCP-NCM-PRO-PR	Subscription, (included in NCP) Nutanix Cloud Manager (NCM) Pro Software License & Production Software Support Service for 1 CPU Core
NT-NCP-NCM-PRO-MC	Subscription, (included in NCP) Nutanix Cloud Manager (NCM) Pro Software License & Mission Critical Software Support Service for 1 CPU Core
NT-NCP-NCM-PRO-AP	Subscription, (included in NCP) Nutanix Cloud Manager (NCM) Pro Software License & L3 Production Software Support Service for 1 CPU Core (Authorized Support Partners provides L1, L2 support)

**Table 40.8 Nutanix Cloud Platform (NCP) / Nutanix Cloud Platform - Compute Only (NCP-C)**

NT-NCP-NCM-PRO-AM	Subscription, (included in NCP) Nutanix Cloud Manager (NCM) Pro Software License & L3 Mission Critical Software Support Service for 1 CPU Core (Authorized Support Partners provides L1, L2 support)
NT-NCP-NCM-PRO-FP	Subscription, (included in NCP) Nutanix Cloud Manager (NCM) Pro Software License & Federal Production Software Support Service for 1 CPU Core
NT-NCP-NCM-PRO-FM	Subscription, (included in NCP) Nutanix Cloud Manager (NCM) Pro Software License & Federal Mission Critical Software Support Service for 1 CPU Core
<b>NCM ULTIMATE</b>	
NT-NCP-NCM-ULT-PR	Subscription, (included in NCP) Nutanix Cloud Manager (NCM) Ultimate Software License & Production Software Support Service for 1 CPU Core
NT-NCP-NCM-ULT-MC	Subscription, (included in NCP) Nutanix Cloud Manager (NCM) Ultimate Software License & Mission Critical Software Support Service for 1 CPU Core
NT-NCP-NCM-ULT-AP	Subscription, (included in NCP) Nutanix Cloud Manager (NCM) Ultimate Software License & L3 Production Software Support Service for 1 CPU Core (Authorized Support Partners provides L1, L2 support)
NT-NCP-NCM-ULT-AM	Subscription, (included in NCP) Nutanix Cloud Manager (NCM) Ultimate Software License & L3 Mission Critical Software Support Service for 1 CPU Core (Authorized Support Partners provides L1, L2 support)
NT-NCP-NCM-ULT-FP	Subscription, (included in NCP) Nutanix Cloud Manager (NCM) Ultimate Software License & Federal Production Software Support Service for 1 CPU Core
NT-NCP-NCM-ULT-FM	Subscription, (included in NCP) Nutanix Cloud Manager (NCM) Ultimate Software License & Federal Mission Critical Software Support Service for 1 CPU Core

**Table 45, Nutanix Software NCM STR 1 YEAR AND 3 YEAR & ABOVE SUBSCRIPTION with Professional Services PID Mapping**

**Table 46, Nutanix Software NCM PRO, NCM ULT, NCP (NCM-PRO), NCP (NCM-ULT) 1 YEAR AND 3 YEAR & ABOVE SUBSCRIPTION with Professional services**

**(10) Nutanix Unified Storage™ (NUS):**

Nutanix Unified Storage™ (NUS) is a software-defined data services platform that consolidates the management and protection of siloed block, file, and object storage into a single, unified platform. NUS harnesses the power of rich data services such as analytics, ransomware protection, lifecycle management, and data protection. These features enable organizations to seamlessly adapt to the ever-changing requirements of modern applications, allowing them to shift their management focus from data storage to data management. Leveraging the Nutanix Cloud Platform™ (NCP) software, NUS is specifically built to meet the needs of modern applications deployed across core, cloud, and edge infrastructure. With its capacity for seamless scaling, high performance, and integrated data security, NUS provides a comprehensive solution for organizations.

**Includes:**

- **Nutanix Files Storage:** simple and secure software-defined scale-out file storage solution to store, manage, and scale files data (NFS and SMB)
- **Nutanix Objects Storage:** distributed scale-out S3-compatible object storage for both archive and high-performance analytics
- **Nutanix Volumes Storage:** high-performance low-latency block storage
- **Nutanix Data Lens:** available as an add-on for data analytics, anomaly behavior detection and ransomware protection
- **Nutanix AOS:** scale-out storage technology that makes hyperconverged infrastructure (HCI) possible.
- **Nutanix AHV:** lightweight cloud hypervisor built into Nutanix platform and offers enterprise-grade storage capabilities and built-in Kubernetes support.
- **App VMs running on storage:** NUS dedicated clusters are entitled to 1 app/user VM per node in the cluster. NCI clusters don't have any limit on the number of app/user VMs on the cluster.

**NOTE:**

- For more information Nutanix Unified Storage™ (NUS), please visit <https://www.nutanix.com/products/cloud-platform/software-options#nus>
- For more information about Nutanix Cloud Platform software options, please visit <https://www.nutanix.com/products/cloud-platform/software-options>
- Please note that the Federal Support program is reserved for US Federal accounts. US Federal accounts must select Federal Support Tier for the order to be fulfilled. If a non-Federal account selects a Federal Support program, Nutanix may not fulfill the order. Additionally, Nutanix's Mixed Support Level Guidelines(<https://www.nutanix.com/support-services/product-support/support-policies-and-faqs?show=accordion-4>) requires all software assets within a cluster to have the same support level, else software support will default to the lower option.
- Sellers in the Federal space need to ensure they have the Federal Support SKU's on the quote and order. All orders without the Federal Support SKU's will be rejected by Nutanix. Refer this Knowledge base article for more info: <https://computekb.cisco.com/article/nutanix-support-for-federal-customers.html>
- Authorized Partners of Nutanix can offer Level 1 & Level 2 support for Nutanix Software. For the complete list visit <https://computekb.cisco.com/article/rules-for-ordering-nutanix-partner-support-skus.html>

Table 40.9 Nutanix Unified Storage™ (NUS)

Product ID (PID)	PID Description
<b>PRO - PROFESSIONAL</b>	
NT-NUS-PRO-PR	Nutanix Unified Storage Professional Software License & Production Software Support for 1 TiB
NT-NUS-PRO-MC	Nutanix Unified Storage Professional Software License & Mission Critical Software Support for 1 TiB
NT-NUS-PRO-AP	Nutanix Unified Storage Professional Software License & L3 Production Software Support for 1 TiB (Authorized Support Partners provides L1, L2 support)
NT-NUS-PRO-AM	Nutanix Unified Storage Professional Software License & L3 Mission Critical Software Support for 1 TiB (Authorized Support Partners provides L1, L2 support)
NT-NUS-PRO-FP	Nutanix Unified Storage Professional Software License & Federal Production Software Support for 1 TiB
NT-NUS-PRO-FM	Nutanix Unified Storage Professional Software License & Federal Mission Critical Software Support for 1 TiB
<b>ADVANCED REPLICATION</b>	
NT-A-NUS-ADR-PR	Nutanix Unified Storage Advanced Replication add-on Software License & Production Software Support 1 TiB
NT-A-NUS-ADR-MC	Nutanix Unified Storage Advanced Replication add-on Software License & Mission Critical Software Support 1 TiB
NT-A-NUS-ADR-AP	Nutanix Unified Storage Advanced Replication add-on Software License & L3 Production Software Support 1 TiB (Authorized Support Partners provides L1, L2 support)
NT-A-NUS-ADR-AM	Nutanix Unified Storage Advanced Replication add-on Software License & L3 Mission Critical Software Support 1 TiB (Authorized Support Partners provides L1, L2 support)
NT-A-NUS-ADR-FP	Nutanix Unified Storage Advanced Replication add-on Software License & Federal Production Software Support 1 TiB
NT-A-NUS-ADR-FM	Nutanix Unified Storage Advanced Replication add-on Software License & Federal Mission Critical Support 1 TiB
<b>SECURITY</b>	
NT-A-NUS-SEC-PR	Nutanix Unified Storage Security add-on Software License & Production Software Support 1 TiB
NT-A-NUS-SEC-MC	Nutanix Unified Storage Security add-on Software License & Mission Critical Software Support 1 TiB
NT-A-NUS-SEC-AP	Nutanix Unified Storage Security add-on Software License & L3 Production Software Support 1 TiB (Authorized Support Partners provides L1, L2 support)
NT-A-NUS-SEC-AM	Nutanix Unified Storage Security add-on Software License & L3 Mission Critical Software Support 1 TiB (Authorized Support Partners provides L1, L2 support)

Table 40.9 Nutanix Unified Storage™ (NUS)

NT-A-NUS-SEC-FP	Nutanix Unified Storage Security add-on Software License & Federal Production Software Support 1 TiB
NT-A-NUS-SEC-FM	Nutanix Unified Storage Security add-on Software License & Federal Mission Critical Software Support 1 TiB

Nutanix Unified Storage Allowed Capacity

Nutanix Unified Storage	Nutanix Unified Storage Support Tier	Storage Capacity Allowed (TiB)
<b>Pro (Professional) License Tier (NT-NUS-PRO-*) Advanced Replication (NT-A-NUS-ADR-*) Security (NT-A-NUS-SEC-*)</b>	<b>Production Mission Critical Federal Production Federal Mission Critical</b>	1-50
		75
		100
		150
		200
		250
		300
		350
		400
		450
		500
		550
		600
		700
		800
		900
		1000
		1200
		1400
		1600
1800		
2000		
2200		
2400		
2600		
2800		
3000		
4000		
5000		
6000		
7000		
8000		
9000		
10000		

(11) Nutanix Data Lens (NDL):

Nutanix Data Lens is a SaaS-based cyberstorage solution offering ransomware resilience and global data visibility for unstructured data on Nutanix Unified Storage (NUS). This cloud-based data analytics service proactively assesses and mitigates data security risks by identifying anomalous activity, auditing user behavior, and adhering to compliance requirements. while enabling efficient data lifecycle management.

Nutanix Data Lens is currently offered through a “Freemium” licensing model, consisting of two tiers:

1. “Basic Tier” comprises limited capabilities that are available perpetually free for NUS Pro customers
2. “Premium Tier” comprises extended capabilities, including Ransomware security, and is licensed on a per TiB basis for all NUS customers.

Self-service onboarding for current Nutanix Unified Storage Customers through [My Nutanix Portal](#).



**NOTE:**

- For more information Nutanix Data Lens (NDL), please visit <https://www.nutanix.com/products/cloud-platform/software-options#nus>
- For more information about Nutanix Cloud Platform software options, please visit <https://www.nutanix.com/products/cloud-platform/software-options>
- Please note that the Federal Support program is reserved for US Federal accounts. US Federal accounts must select Federal Support Tier for the order to be fulfilled. If a non-Federal account selects a Federal Support program, Nutanix may not fulfill the order. Additionally, Nutanix's Mixed Support Level Guidelines(<https://www.nutanix.com/support-services/product-support/support-policies-and-faqs?show=accordion-4>) requires all software assets within a cluster to have the same support level, else software support will default to the lower option.
- Sellers in the Federal space need to ensure they have the Federal Support SKU's on the quote and order. All orders without the Federal Support SKU's will be rejected by Nutanix. Refer this Knowledge base article for more info: <https://compute.kb.cisco.com/article/nutanix-support-for-federal-customers.html>
- Authorized Partners of Nutanix can offer Level 1 & Level 2 support for Nutanix Software. For the complete list visit <https://compute.kb.cisco.com/article/rules-for-ordering-nutanix-partner-support-skus.html>

Table 40.10 Nutanix Data Lens (NDL)

Product ID (PID)	PID Description
NDL	
NT-NDL-PR	Nutanix Data Lens as a hosted service including Production Support for 1 TiB
NT-NDL-FP	Nutanix Data Lens as a hosted service incl Fed Production Support for 1 TiB

Nutanix Data Lens Allowed Capacity

Nutanix Data Lens	Nutanix Data Lens Support Tier	Storage Capacity Allowed (TiB)
NDL	Production Federal Production	1-50
		75
		100
		150
		200
		250
		300
		350
		400
		450
		500
		550
		600
		700
		800
		900
		1000
		1200
		1400
		1600
1800		
2000		
2200		
2400		
2600		
2800		
3000		

**(12) Nutanix Kubernetes Platform (NKP):**

Nutanix Kubernetes Platform (NKP) combines the Nutanix Kubernetes Engine (NKE) features with their acquisition of the D2iQ product family to bring a consolidated runtime, orchestration, and management environment to our cloud native customers. The SKUs have two ordering options:

1. NKP Full Stack ( Starter, Pro & Ultimate ) - This includes the Complete Nutanix stack, bundling NCI, NDK and NKP. This is core based licensing ( for all cores in cluster) and feature/capability inclusions depend on the whether it's starter, Pro or Ultimate. This is suitable for customers who will have Nutanix clusters exclusively for container workloads.
2. NKP (Pro & Ultimate ) - NKP Starter is Bundled with NCI Pro and Ultimate . This adds NKP to existing NCI deployments ( for AHV, ESXi, AWS EC2 & Azure ). The Kubernetes and associated NKP functionality is provided by running master and worker node VMs on NCI. This is licensed on vCPU for the workload VMs that will be deployed. This is suitable for customers who already have Nutanix NCI clusters.



**NOTE:**

- For more information about Nutanix Kubernetes Platform (NKP), please visit <https://www.nutanix.com/products/cloud-platform/software-options#nkp>
- For more information about Nutanix Cloud Platform software options, please visit <https://www.nutanix.com/products/cloud-platform/software-options>
- Please note that the Federal Support program is reserved for US Federal accounts. US Federal accounts must select Federal Support Tier for the order to be fulfilled. If a non-Federal account selects a Federal Support program, Nutanix may not fulfill the order. Additionally, Nutanix's Mixed Support Level Guidelines(<https://www.nutanix.com/support-services/product-support/support-policies-and-faqs?show=accordion-4>) requires all software assets within a cluster to have the same support level, else software support will default to the lower option.
- Sellers in the Federal space need to ensure they have the Federal Support SKU's on the quote and order. All orders without the Federal Support SKU's will be rejected by Nutanix.Refer this Knowledge base article for more info: <https://computekb.cisco.com/article/nutanix-support-for-federal-customers.html>
- Authorized Partners of Nutanix can offer Level 1 & Level 2 support for Nutanix Software. For the complete list visit <https://computekb.cisco.com/article/rules-for-ordering-nutanix-partner-support-skus.html>
- The quantity of NKP Full Stack (FS) license must match with total number for processor cores in hardware platforms.

**Table 40.11 Nutanix Kubernetes Platform (NKP)**

Product ID (PID)	PID Description
<b>FS STR - FULL STACK STARTER</b>	
NT-NKP-FS-STR-PR	Subscription, Nutanix Kubernetes Platform (NKP) Full Stack Starter Software License and Production Software Support Service for 1 CPU Core
NT-NKP-FS-STR-MC	Subscription, Nutanix Kubernetes Platform (NKP) Full Stack Starter Software License and Mission Critical Software Support Service for 1 CPU Core
NT-NKP-FS-STR-AP	Subscription, Nutanix Kubernetes Platform (NKP) Full Stack Starter Software License and L3 Production Software Support Service for 1 CPU Core (Authorized Support Partners provides L1, L2 support)
NT-NKP-FS-STR-AM	Subscription, Nutanix Kubernetes Platform (NKP) Full Stack Starter Software License and L3 Mission Critical Software Support Service for 1 CPU Core (Authorized Support Partners provides L1, L2 support)

Table 40.11 Nutanix Kubernetes Platform (NKP)

NT-NKP-FS-STR-FP	Subscription, Nutanix Kubernetes Platform (NKP) Full Stack Starter Software License and Federal Production Software Support Service for 1 CPU Core
NT-NKP-FS-STR-FM	Subscription, Nutanix Kubernetes Platform (NKP) Full Stack Starter Software License and Federal Mission Critical Software Support Service for 1 CPU Core
<b>FS PRO - FULL STACK PROFESSIONAL</b>	
NT-NKP-FS-PRO-PR	Subscription, Nutanix Kubernetes Platform (NKP) Full Stack Pro Software License and Production Software Support Service for 1 CPU Core
NT-NKP-FS-PRO-MC	Subscription, Nutanix Kubernetes Platform (NKP) Full Stack Pro Software License and Mission Critical Software Support Service for 1 CPU Core
NT-NKP-FS-PRO-AP	Subscription, Nutanix Kubernetes Platform (NKP) Full Stack Pro Software License and L3 Production Software Support Service for 1 CPU Core (Authorized Support Partners provides L1, L2 support)
NT-NKP-FS-PRO-AM	Subscription, Nutanix Kubernetes Platform (NKP) Full Stack Pro Software License and L3 Mission Critical Software Support Service for 1 CPU Core (Authorized Support Partners provides L1, L2 support)
NT-NKP-FS-PRO-FP	Subscription, Nutanix Kubernetes Platform (NKP) Full Stack Pro Software License and Federal Production Software Support Service for 1 CPU Core
NT-NKP-FS-PRO-FM	Subscription, Nutanix Kubernetes Platform (NKP) Full Stack Pro Software License and Federal Mission Critical Software Support Service for 1 CPU Core
<b>FS ULT - FULL STACK ULTIMATE</b>	
NT-NKP-FS-ULT-PR	Subscription, Nutanix Kubernetes Platform (NKP) Full Stack Ultimate Software License and Production Software Support Service for 1 CPU Core
NT-NKP-FS-ULT-MC	Subscription, Nutanix Kubernetes Platform (NKP) Full Stack Ultimate Software License and Mission Critical Software Support Service for 1 CPU Core
NT-NKP-FS-ULT-AP	Subscription, Nutanix Kubernetes Platform (NKP) Full Stack Ultimate Software License and L3 Production Software Support Service for 1 CPU Core (Authorized Support Partners provides L1, L2 support)
NT-NKP-FS-ULT-AM	Subscription, Nutanix Kubernetes Platform (NKP) Full Stack Ultimate Software License and L3 Mission Critical Software Support Service for 1 CPU Core (Authorized Support Partners provides L1, L2 support)
NT-NKP-FS-ULT-FP	Subscription, Nutanix Kubernetes Platform (NKP) Full Stack Ultimate Software License and Federal Production Software Support Service for 1 CPU Core
NT-NKP-FS-ULT-FM	Subscription, Nutanix Kubernetes Platform (NKP) Full Stack Ultimate Software License and Federal Mission Critical Software Support Service for 1 CPU Core
<b>PRO - PROFESSIONAL</b>	
NT-NKP-PRO-PR	Subscription, Nutanix Kubernetes Platform (NKP) Pro Software License for NCI or non-Nutanix infrastructure and Production Software Support Service for 1 vCPU (or 1 CPU Core on bare metal)

Table 40.11 Nutanix Kubernetes Platform (NKP)

NT-NKP-PRO-MC	Subscription, Nutanix Kubernetes Platform (NKP) Pro Software License for NCI or non-Nutanix infrastructure and Mission Critical Software Support Service for 1 vCPU (or 1 CPU Core on bare metal)
NT-NKP-PRO-AP	Subscription, Nutanix Kubernetes Platform (NKP) Pro Software License for NCI or non-Nutanix infrastructure and L3 Production Software Support Service for 1 vCPU (or 1 CPU Core on bare metal) (Authorized Support Partners provides L1, L2 support)
NT-NKP-PRO-AM	Subscription, Nutanix Kubernetes Platform (NKP) Pro Software License for NCI or non-Nutanix infrastructure and L3 Mission Critical Software Support Service for 1 vCPU (or 1 CPU Core on bare metal) (Authorized Support Partners provides L1, L2 support)
NT-NKP-PRO-FP	Subscription, Nutanix Kubernetes Platform (NKP) Pro Software License for NCI or non-Nutanix infrastructure and Federal Production Software Support Service for 1 vCPU (or 1 CPU Core on bare metal)
NT-NKP-PRO-FM	Subscription, Nutanix Kubernetes Platform (NKP) Pro Software License for NCI or non-Nutanix infrastructure and Federal Mission Critical Software Support Service for 1 vCPU (or 1 CPU Core on bare metal)
<b>ULT - ULTIMATE</b>	
NT-NKP-ULT-PR	Subscription, Nutanix Kubernetes Platform (NKP) Ultimate Software License for NCI or non-Nutanix infrastructure and Production Software Support Service for 1 vCPU (or 1 CPU Core on bare metal)
NT-NKP-ULT-MC	Subscription, Nutanix Kubernetes Platform (NKP) Ultimate Software License for NCI or non-Nutanix infrastructure and Mission Critical Software Support Service for 1 vCPU (or 1 CPU Core on bare metal)
NT-NKP-ULT-AP	Subscription, Nutanix Kubernetes Platform (NKP) Ultimate Software License for NCI or non-Nutanix infrastructure and L3 Production Software Support Service for 1 vCPU (or 1 CPU Core on bare metal) (Authorized Support Partners provides L1, L2 support)
NT-NKP-ULT-AM	Subscription, Nutanix Kubernetes Platform (NKP) Ultimate Software License for NCI or non-Nutanix infrastructure and L3 Mission Critical Software Support Service for 1 vCPU (or 1 CPU Core on bare metal) (Authorized Support Partners provides L1, L2 support)
NT-NKP-ULT-FP	Subscription, Nutanix Kubernetes Platform (NKP) Ultimate Software License for NCI or non-Nutanix infrastructure and Federal Production Software Support Service for 1 vCPU (or 1 CPU Core on bare metal)
NT-NKP-ULT-FM	Subscription, Nutanix Kubernetes Platform (NKP) Ultimate Software License for NCI or non-Nutanix infrastructure and Federal Mission Critical Software Support Service for 1 vCPU (or 1 CPU Core on bare metal)

[Table 44.0, Nutanix Software NCI, NCI-C, NCI-D, NCP \(NCI-PRO\), NCP \(NCI-ULT\), NCP-C \(NCIC-PRO\), NCP-C \(NCIC-ULT\) 1 YEAR SUBSCRIPTION with professional services PID Mapping](#)

[Table 44.1, Nutanix Software NCI, NCI-C, NCI-D, NCP \(NCI-PRO\), NCP \(NCI-ULT\), NCP-C \(NCIC-PRO\), NCP-C \(NCIC-ULT\) 3 YEAR SUBSCRIPTION with professional services PID Mapping](#)

**(13) Nutanix Enterprise AI (NAI):**

The Nutanix Enterprise AI (NAI) solution offers endpoint APIs for the leading LLM providers, including NVIDIA NIM and Hugging Face, making it easy for organizations to deploy a wide range of GenAI models securely, on-premises or in the public cloud. NAI includes a simple UI, role-based access controls (RBAC), and the capability for untethered operations (dark site or air-gapped deployments) to simplify the operation, monitoring, and adaptation of AI models (LLMs) with enterprise resiliency, Day 2 operations, and compliance.

Nutanix AI Platform has 2 ordering requirements & both need to be ordered:

- CPU (measured in vCPU/Core): This quantity should correspond to the number of physical cores for bare-metal deployments or the vCPUs for virtual deployments.
- GB (memory on GPU): Note that this refers to the total GPU memory, not the physical memory of the nodes in the cluster, and it depends on the GPU selected.



**NOTE:**

- For more information about Nutanix Enterprise AI (NAI), please visit <https://www.nutanix.com/library/datasheets/nutanix-enterprise-ai>
- For more information about Nutanix Cloud Platform software options, please visit <https://www.nutanix.com/products/cloud-platform/software-options>
- Please note that the Federal Support program is reserved for US Federal accounts. US Federal accounts must select Federal Support Tier for the order to be fulfilled. If a non-Federal account selects a Federal Support program, Nutanix may not fulfill the order. Additionally, Nutanix's Mixed Support Level Guidelines(<https://www.nutanix.com/support-services/product-support/support-policies-and-faqs?show=accordion-4>) requires all software assets within a cluster to have the same support level, else software support will default to the lower option.
- Sellers in the Federal space need to ensure they have the Federal Support SKU's on the quote and order. All orders without the Federal Support SKU's will be rejected by Nutanix. Refer this Knowledge base article for more info: <https://computekb.cisco.com/article/nutanix-support-for-federal-customers.html>

**Table 40.12 Nutanix Enterprise AI (NAI)**

Product ID (PID)	PID Description
<b>NAI NKP PROFESSIONAL</b>	
NT-B-AI-G-PO-PR	Subscription, Nutanix Enterprise AI (NAI) GPT-in-a-Box Pro Software License & Production Software Support Service
NT-B-AI-G-PO-MC	Subscription, Nutanix Enterprise AI (NAI) GPT-in-a-Box Pro Software License & Mission Critical Software Support Service
NT-B-AI-G-PO-FP	Subscription, Nutanix Enterprise AI (NAI) GPT-in-a-Box Pro Software License & Federal/Stateside Production Software Support Service
NT-B-AI-G-PO-FM	Subscription, Nutanix Enterprise AI (NAI) GPT-in-a-Box Pro Software License & Federal/Stateside Mission Critical Software Support Service
<b>NAI GPT ULTIMATE</b>	
NT-B-AI-G-UT-PR	Subscription, Nutanix Enterprise AI (NAI) GPT-in-a-Box Ultimate Software License & Production Software Support Service

Table 40.12 Nutanix Enterprise AI (NAI)

NT-B-AI-G-UT-MC	Subscription, Nutanix Enterprise AI (NAI) GPT-in-a-Box Ultimate Software License & Mission Critical Software Support Service
NT-B-AI-G-UT-FP	Subscription, Nutanix Enterprise AI (NAI) GPT-in-a-Box Ultimate Software License & Federal/Stateside Production Software Support Service
NT-B-AI-G-UT-FM	Subscription, Nutanix Enterprise AI (NAI) GPT-in-a-Box Ultimate Software License & Federal/Stateside Mission Critical Software Support Service
<b>NAI NKP PROFESSIONAL</b>	
NT-B-AI-NKP-PO-PR	Subscription, Nutanix Enterprise AI (NAI) Pro and Nutanix Kubernetes Platform (NKP) Pro Software License & Production Software Support Service
NT-B-AI-NKP-PO-MC	Subscription, Nutanix Enterprise AI (NAI) Pro and Nutanix Kubernetes Platform (NKP) Pro Software License & Mission Critical Software Support Service
NT-B-AI-NKP-PO-FP	Subscription, Nutanix Enterprise AI (NAI) Pro and Nutanix Kubernetes Platform (NKP) Pro Software License & Federal/Stateside Production Software Support Service
NT-B-AI-NKP-PO-FM	Subscription, Nutanix Enterprise AI (NAI) Pro and Nutanix Kubernetes Platform (NKP) Pro Software License & Federal/Stateside Mission Critical Software Support Service
<b>NAI NKP ULTIMATE</b>	
NT-B-AI-NKP-UT-PR	Subscription, Nutanix Enterprise AI (NAI) Pro and Nutanix Kubernetes Platform (NKP) Ultimate Software License & Production Software Support Service
NT-B-AI-NKP-UT-MC	Subscription, Nutanix Enterprise AI (NAI) Pro and Nutanix Kubernetes Platform (NKP) Ultimate Software License & Mission Critical Software Support Service
NT-B-AI-NKP-UT-FP	Subscription, Nutanix Enterprise AI (NAI) Pro and Nutanix Kubernetes Platform (NKP) Ultimate Software License & Federal/Stateside Production Software Support Service
NT-B-AI-NKP-UT-FM	Subscription, Nutanix Enterprise AI (NAI) Pro and Nutanix Kubernetes Platform (NKP) Ultimate Software License & Federal/Stateside Mission Critical Software Support Service
<b>NAI PROFESSIONAL GB</b>	
NT-B-AI-PO-GB-PR	Subscription, Nutanix Enterprise AI (NAI) Pro Software License & Production Software Support Service for 1 GB of GPU RAM
NT-B-AI-PO-GB-MC	Subscription, Nutanix Enterprise AI (NAI) Pro Software License & Mission Critical Software Support Service for 1 GB of GPU RAM
NT-B-AI-PO-GB-FP	Subscription, Nutanix Enterprise AI (NAI) Pro Software License & Federal/Stateside Production Software Support Service for 1 GB of GPU RAM
NT-B-AI-PO-GB-FM	Subscription, Nutanix Enterprise AI (NAI) Pro Software License & Federal/Stateside Mission Critical Software Support Service for 1 GB of GPU RAM
<b>NAI PROFESSIONAL vCPU</b>	

Table 40.12 Nutanix Enterprise AI (NAI)

NT-B-AI-PO-C-PR	Subscription, Nutanix Enterprise AI (NAI) Pro Software License & Production Software Support Service for 1 vCPU
NT-B-AI-PO-C-MC	Subscription, Nutanix Enterprise AI (NAI) Pro Software License & Mission Critical Software Support Service for 1 vCPU
NT-B-AI-PO-C-FP	Subscription, Nutanix Enterprise AI (NAI) Pro Software License & Federal/Stateside Production Software Support Service for 1 vCPU
NT-B-AI-PO-C-FM	Subscription, Nutanix Enterprise AI (NAI) Pro Software License & Federal/Stateside Mission Critical Software Support Service for 1 vCPU
<b>NKP FS PROFESSIONAL</b>	
NT-B-NKP-FS-PO-PR	Subscription, Nutanix Kubernetes Platform (NKP) Full Stack Pro Software License and Production Software Support Service for 1 physical CPU Core
NT-B-NKP-FS-PO-MC	Subscription, Nutanix Kubernetes Platform (NKP) Full Stack Pro Software License and Mission Critical Software Support Service for 1 physical CPU Core
NT-B-NKP-FS-PO-FP	Subscription, Nutanix Kubernetes Platform (NKP) Full Stack Pro Software License and Federal/Stateside/Stateside Production Software Support Service for 1 physical CPU Core
NT-B-NKP-FS-PO-FM	Subscription, Nutanix Kubernetes Platform (NKP) Full Stack Pro Software License and Federal/Stateside/Stateside Mission Critical Software Support Service for 1 physical CPU Core
<b>NKP FS ULTIMATE</b>	
NT-B-NKP-FS-UT-PR	Subscription, Nutanix Kubernetes Platform (NKP) Full Stack Ultimate Software License and Production Software Support Service for 1 physical CPU Core
NT-B-NKP-FS-UT-MC	Subscription, Nutanix Kubernetes Platform (NKP) Full Stack Ultimate Software License and Mission Critical Software Support Service for 1 physical CPU Core
NT-B-NKP-FS-UT-FP	Subscription, Nutanix Kubernetes Platform (NKP) Full Stack Ultimate Software License and Federal/Stateside/Stateside Production Software Support Service for 1 physical CPU Core
NT-B-NKP-FS-UT-FM	Subscription, Nutanix Kubernetes Platform (NKP) Full Stack Ultimate Software License and Federal/Stateside/Stateside Mission Critical Software Support Service for 1 physical CPU Core
<b>NKP PROFESSIONAL</b>	
NT-B-NKP-PO-PR	Subscription, Nutanix Kubernetes Platform (NKP) Pro Software License & Production Software Support Service for 1 vCPU
NT-B-NKP-PO-MC	Subscription, Nutanix Kubernetes Platform (NKP) Pro Software License & Mission Critical Software Support Service for 1 vCPU
NT-B-NKP-PO-FP	Subscription, Nutanix Kubernetes Platform (NKP) Pro Software License & Federal/Stateside Production Software Support Service for 1 vCPU
NT-B-NKP-PO-FM	Subscription, Nutanix Kubernetes Platform (NKP) Pro Software License & Federal/Stateside Mission Critical Software Support Service for 1 vCPU

Table 40.12 Nutanix Enterprise AI (NAI)

<b>NKP ULTIMATE</b>	
NT-B-NKP-UT-PR	Subscription, Nutanix Kubernetes Platform (NKP) Ultimate Software License & Production Software Support Service for 1 vCPU
NT-B-NKP-UT-MC	Subscription, Nutanix Kubernetes Platform (NKP) Ultimate Software License & Mission Critical Software Support Service for 1 vCPU
NT-B-NKP-UT-FP	Subscription, Nutanix Kubernetes Platform (NKP) Ultimate Software License & Federal/Stateside Production Software Support Service for 1 vCPU
NT-B-NKP-UT-FM	Subscription, Nutanix Kubernetes Platform (NKP) Ultimate Software License & Federal/Stateside Mission Critical Software Support Service for 1 vCPU
<b>NAI PROFESSIONAL GB Standalone</b>	
NT-AI-PRO-GB-PR	Subscription, Nutanix Enterprise AI (NAI) Pro Software License and Production Software Support Service for 1 GB of GPU RAM
NT-AI-PRO-GB-MC	Subscription, Nutanix Enterprise AI (NAI) Pro Software License and Mission Critical Software Support Service for 1 GB of GPU RAM
NT-AI-PRO-GB-FP	Subscription, Nutanix Enterprise AI (NAI) Pro Software License and Federal/Stateside Production Software Support Service for 1 GB of GPU RAM
NT-AI-PRO-GB-FM	Subscription, Nutanix Enterprise AI (NAI) Pro Software License and Federal/Stateside Mission Critical Software Support Service for 1 GB of GPU RAM
<b>NAI PROFESSIONAL vCPU Standalone</b>	
NT-AI-PRO-C-PR	Subscription, Nutanix Enterprise AI (NAI) Pro Software License and Production Software Support Service for 1 vCPU
NT-AI-PRO-C-MC	Subscription, Nutanix Enterprise AI (NAI) Pro Software License and Mission Critical Software Support Service for 1 vCPU
NT-AI-PRO-C-FP	Subscription, Nutanix Enterprise AI (NAI) Pro Software License and Federal/Stateside Production Software Support Service for 1 vCPU
NT-AI-PRO-C-FM	Subscription, Nutanix Enterprise AI (NAI) Pro Software License and Federal/Stateside Mission Critical Software Support Service for 1 vCPU

## Nutanix software limited orderability

### (1) End User Computing Hyperspace (EUCH):

Epic software is suite of software that is primarily used in the Healthcare industry. The Epic software can be deployed on Nutanix HCI. Solution & details can be found here

(<https://portal.nutanix.com/page/documents/solutions/details?targetId=BP-2055-Epic-on-Nutanix:BP-2055-Epic-on-Nutanix>)

NTX-SW-LO is an ATO that has specific SKUs for Epic customers using Hyperspace or Hyperdrive. Hyperspace EUC SKU's begin with (NT-EUC-H-) and there are a total of 18 SKUs.

Refer to the link in the notes section for the process details

These SKUs can only be bought by customers who satisfy the following 2 conditions:

- End-user is Epic software customer (Epic headquarters is in Verona, WI)
- End-user must include the client presentation of Epic Hyperspace or Hyperdrive (component of the Epic suite of software). SKUs are for this component.



#### NOTE:

- KB article on process for EUC SKUs:  
<https://compute.kb.cisco.com/article/process-flow-when-ordering-hyperspace-euc-skus.html>
- Please note that the Federal Support program is reserved for US Federal accounts. US Federal accounts must select Federal Support Tier for the order to be fulfilled. If a non-Federal account selects a Federal Support program, Nutanix may not fulfill the order. Additionally, Nutanix's Mixed Support Level Guidelines(<https://www.nutanix.com/support-services/product-support/support-policies-and-faqs?show=accordion-4>) requires all software assets within a cluster to have the same support level, else software support will default to the lower option.
- Sellers in the Federal space need to ensure they have the Federal Support SKU's on the quote and order. All orders without the Federal Support SKU's will be rejected by Nutanix. Refer this Knowledge base article for more info:  
<https://compute.kb.cisco.com/article/nutanix-support-for-federal-customers.html>
- Authorized Partners of Nutanix can offer Level 1 & Level 2 support for Nutanix Software. for the complete list visit  
<https://compute.kb.cisco.com/article/rules-for-ordering-nutanix-partner-support-skus.html>

Table 41 End User Computing Hyperspace (EUCH)

Product ID (PID)	PID Description
STR - STARTER	
NT-EUC-H-STR-PR	Subscription, End User Computing (EUC) Starter Software License for Epic Hyperspace & Production Software Support Service for 1 User
NT-EUC-H-STR-MC	Subscription, End User Computing (EUC) Starter Software License for Epic Hyperspace & Mission Critical Software Support Service for 1 User
NT-EUC-H-STR-AP	Subscription, End User Computing (EUC) Starter Software License for Epic Hyperspace & L3 Production Software Support Service for 1 User (Authorized Support Partners provides L1, L2 support)

Table 41 End User Computing Hyperspace (EUCH)

NT-EUC-H-STR-AM	Subscription, End User Computing (EUC) Starter Software License for Epic Hyperspace & L3 Mission Critical Software Support Service for 1 User (Authorized Support Partners provides L1, L2 support)
NT-EUC-H-STR-FP	Subscription, End User Computing (EUC) Starter Software License for Epic Hyperspace & Federal Production Software Support Service for 1 User
NT-EUC-H-STR-FM	Subscription, End User Computing (EUC) Starter Software License for Epic Hyperspace & Federal Mission Critical Software Support Service for 1 User
<b>PRO- PROFESSIONAL</b>	
NT-EUC-H-PRO-PR	Subscription, End User Computing (EUC) Professional Software License for Epic Hyperspace & Production Software Support Service for 1 User
NT-EUC-H-PRO-MC	Subscription, End User Computing (EUC) Professional Software License for Epic Hyperspace & Mission Critical Software Support Service for 1 User
NT-EUC-H-PRO-AP	Subscription, End User Computing (EUC) Professional Software License for Epic Hyperspace & L3 Production Software Support Service for 1 User (Authorized Support Partners provides L1, L2 support)
NT-EUC-H-PRO-AM	Subscription, End User Computing (EUC) Professional Software License for Epic Hyperspace & L3 Mission Critical Software Support Service for 1 User (Authorized Support Partners provides L1, L2 support)
NT-EUC-H-PRO-FP	Subscription, End User Computing (EUC) Professional Software License for Epic Hyperspace & Federal Production Software Support Service for 1 User
NT-EUC-H-PRO-FM	Subscription, End User Computing (EUC) Professional Software License for Epic Hyperspace & Federal Mission Critical Software Support Service for 1 User
<b>ULT - ULTIMATE</b>	
NT-EUC-H-ULT-PR	Subscription, End User Computing (EUC) Ultimate Software License for Epic Hyperspace & Production Software Support Service for 1 User
NT-EUC-H-ULT-MC	Subscription, End User Computing (EUC) Ultimate Software License for Epic Hyperspace & Mission Critical Software Support Service for 1 User
NT-EUC-H-ULT-AP	Subscription, End User Computing (EUC) Ultimate Software License for Epic Hyperspace & L3 Production Software Support Service for 1 User (Authorized Support Partners provides L1, L2 support)
NT-EUC-H-ULT-AM	Subscription, End User Computing (EUC) Ultimate Software License for Epic Hyperspace & L3 Mission Critical Software Support Service for 1 User (Authorized Support Partners provides L1, L2 support)
NT-EUC-H-ULT-FP	Subscription, End User Computing (EUC) Ultimate Software License for Epic Hyperspace & Federal Production Software Support Service for 1 User
NT-EUC-H-ULT-FM	Subscription, End User Computing (EUC) Ultimate Software License for Epic Hyperspace & Federal Mission Critical Software Support Service for 1 User

## Professional Services PIDs and Description

### (1) NCI Design Workshop:

The Nutanix Cloud Infrastructure (NCI) Design Workshop offers IT teams in-depth and practical guidance to create a comprehensive design for on-premises NCI clusters. It covers various aspects such as scalability, functionality, integration, and operational needs. This workshop is beneficial during the Design stage of a Hybrid Multicloud journey, especially for complex solutions that involve third-party applications and automation.



#### NOTE:

- For more information on NCI Design workshop, please visit - <https://www.nutanix.com/content/dam/nutanix/resources/service-descriptions/sd-nci-design-workshop.pdf>
- For more information on Cisco version of Nutanix Professional services, please visit - <https://www.nutanix.com/content/dam/nutanix/resources/service-descriptions/professional-services-service-descriptions-cisco.pdf>

Table 42.0 NCI Design Workshop

Nutanix Software Product/Edition	Cisco Product PID	Cisco PID Description PS Offer Name - PS Offer Edition - PS Offer Option - Base/Variable	Nutanix PS Edition	Nutanix PS Option
NCI Starter	NT-W-DS-STR	NCI Design Workshop - Starter - Workshop Only	Starter	Workshop Only
NCI Starter	NT-W-DS-STR-SD	NCI Design Workshop - Starter - Standard Doc	Starter	Standard Documentation
NCI Pro	NT-W-DS-PRO	NCI Design Workshop - Pro - Workshop Only	Pro	Workshop Only
NCI Pro	NT-W-DS-PRO-SD	NCI Design Workshop - Pro - Enhanced Doc	Pro	Enhanced Documentation
NCI Ultimate	NT-W-DS-ULT-SD	NCI Design Workshop - Ultimate - Standard Doc	Ultimate	Standard Documentation

[Table 44.0, Nutanix Software NCI, NCI-C, NCI-D, NCP \(NCI-PRO\), NCP \(NCI-ULT\), NCP-C \(NCIC-PRO\), NCP-C \(NCIC-ULT\) 1 YEAR SUBSCRIPTION with professional services PID Mapping](#)

[Table 44.1, Nutanix Software NCI, NCI-C, NCI-D, NCP \(NCI-PRO\), NCP \(NCI-ULT\), NCP-C \(NCIC-PRO\), NCP-C \(NCIC-ULT\) 3 YEAR SUBSCRIPTION with professional services PID Mapping](#)

(2) NCI Cluster Deployment or Expansion:

The Nutanix Cloud Infrastructure (NCI) Cluster Deployment or Expansion accelerates the deployment of hybrid cloud infrastructure to support any application and workload. Highly skilled consultants can deploy on-premises NCI clusters or dedicated Nutanix Unified Storage (NUS) clusters. The clusters can be deployed to various supported hardware platforms, regardless of whether it's Nutanix, our OEM partners, or other platform providers. This offer is ideal for the Deploy stage of the Hybrid Multicloud journey.



**NOTE:**

- For more information on NCI Cluster deployment and expansion workshop, please visit - <https://www.nutanix.com/content/dam/nutanix/resources/service-descriptions/sd-nci-cluster-deployment-or-expansion.pdf>
- For more information on Cisco version of Nutanix Professional services, please visit - <https://www.nutanix.com/content/dam/nutanix/resources/service-descriptions/professional-services-service-descriptions-cisco.pdf>

Table 42.1 NCI Cluster Deployment or Expansion

Nutanix Software Product/Edition	Cisco Product PID	Cisco PID Description PS Offer Name - PS Offer Edition - PS Offer Option - Base/Variable	Nutanix PS Edition	Nutanix PS Option
NCI Starter	NT-S-DP-STR-AVB	NCI Cluster Deployment or Expansion - Starter - AHV - Base	Starter	AHV Nodes
NCI Starter	NT-S-DP-STR-AVV	NCI Cluster Deployment or Expansion - Starter - AHV - Var	Starter	AHV Nodes
NCI Starter	NT-S-DP-STR-EXB	NCI Cluster Deployment or Expansion - Starter - ESX - Base	Starter	ESX Nodes
NCI Starter	NT-S-DP-STR-EXV	NCI Cluster Deployment or Expansion - Starter - ESX - Var	Starter	ESX Nodes
NCI Pro	NT-S-DP-PRO-AV-SB	NCI Cluster Deployment or Expansion - Starter - AHV - Base	Starter	AHV Nodes
NCI Pro	NT-S-DP-PRO-AV-SV	NCI Cluster Deployment or Expansion - Starter - AHV - Var	Starter	AHV Nodes
NCI Pro	NT-S-DP-PRO-EX-SV	NCI Cluster Deployment or Expansion - Starter - ESX - Var	Starter	ESX Nodes
NCI Pro	NT-S-DP-PRO-EX-SB	NCI Cluster Deployment or Expansion - Starter - ESX - Base	Starter	ESX Nodes
NCI Pro	NT-S-DP-PRO-AV-PB	NCI Cluster Deployment or Expansion - Pro - AHV - Base	Pro	AHV Nodes
NCI Pro	NT-S-DP-PRO-AV-PV	NCI Cluster Deployment or Expansion - Pro - AHV - Var	Pro	AHV Nodes
NCI Pro	NT-S-DP-PRO-EX-PB	NCI Cluster Deployment or Expansion - Pro - ESX - Base	Pro	ESX Nodes
NCI Pro	NT-S-DP-PRO-EX-PV	NCI Cluster Deployment or Expansion - Pro - ESX - Var	Pro	ESX Nodes

Table 42.1 NCI Cluster Deployment or Expansion

NCI Ultimate	NT-S-DP-ULT-AV-SB	NCI Cluster Deployment or Expansion - Starter - AHV - Base	Starter	AHV Nodes
NCI Ultimate	NT-S-DP-ULT-AV-SV	NCI Cluster Deployment or Expansion - Starter - AHV - Var	Starter	AHV Nodes
NCI Ultimate	NT-S-DP-ULT-EX-SB	NCI Cluster Deployment or Expansion - Starter - ESX - Base	Starter	ESX Nodes
NCI Ultimate	NT-S-DP-ULT-EX-SV	NCI Cluster Deployment or Expansion - Starter - ESX - Var	Starter	ESX Nodes
NCI Ultimate	NT-S-DP-ULT-AV-PB	NCI Cluster Deployment or Expansion - Pro - AHV - Base	Pro	AHV Nodes
NCI Ultimate	NT-S-DP-ULT-AV-PV	NCI Cluster Deployment or Expansion - Pro - AHV - Var	Pro	AHV Nodes
NCI Ultimate	NT-S-DP-ULT-EX-PB	NCI Cluster Deployment or Expansion - Pro - ESX - Base	Pro	ESX Nodes
NCI Ultimate	NT-S-DP-ULT-EX-PV	NCI Cluster Deployment or Expansion - Pro - ESX - Var	Pro	ESX Nodes
NCI Ultimate	NT-S-DP-ULT-AV-UB	NCI Cluster Deployment or Expansion- Ultimate - AHV - Base	Ultimate	AHV Nodes
NCI Ultimate	NT-S-DP-ULT-AV-UV	NCI Cluster Deployment or Expansion- Ultimate - AHV - Var	Ultimate	AHV Nodes
NCI Ultimate	NT-S-DP-ULT-EX-UB	NCI Cluster Deployment or Expansion- Ultimate - ESX - Base	Ultimate	ESX Nodes
NCI Ultimate	NT-S-DP-ULT-EX-UV	NCI Cluster Deployment or Expansion- Ultimate - ESX - Var	Ultimate	ESX Nodes

Table 44.0, Nutanix Software NCI, NCI-C, NCI-D, NCP (NCI-PRO), NCP (NCI-ULT), NCP-C (NCIC-PRO), NCP-C (NCIC-ULT) 1 YEAR SUBSCRIPTION with professional services PID Mapping

Table 44.1, Nutanix Software NCI, NCI-C, NCI-D, NCP (NCI-PRO), NCP (NCI-ULT), NCP-C (NCIC-PRO), NCP-C (NCIC-ULT) 3 YEAR SUBSCRIPTION with professional services PID Mapping

(3) Virtual Machine Migration Workshop:

The Virtual Machine Migration Workshop offers IT teams in-depth and practical guidance to create a comprehensive virtual machine migration plan for migrating virtual machines to Nutanix Cloud Infrastructure (NCI). This offer is ideal for the Migrate state of a Hybrid Multicloud journey.



**NOTE:**

- For more information on Virtual Machine Migration Workshop, please visit - <https://www.nutanix.com/content/dam/nutanix/resources/service-descriptions/sd-virtual-machine-migration-workshop.pdf>
- For more information on Cisco version of Nutanix Professional services, please visit - <https://www.nutanix.com/content/dam/nutanix/resources/service-descriptions/professional-services-service-descriptions-cisco.pdf>

Table 42.2 Virtual Machine Migration Workshop

Nutanix Software Product/Edition	Cisco Product PID	Cisco PID Description PS Offer Name - PS Offer Edition - PS Offer Option - Base/Variable	Nutanix PS Edition	Nutanix PS Option
NCI Starter	NT-W-MG-STR-SD	Virtual Machine Migration Workshop - Standard Doc	None	Standard Documentation
NCI Pro	NT-W-MG-PRO-SD	Virtual Machine Migration Workshop - Standard Doc	None	Standard Documentation
NCI Ultimate	NT-W-MG-ULT-SD	Virtual Machine Migration Workshop - Standard Doc	None	Standard Documentation

[Table 44.0, Nutanix Software NCI, NCI-C, NCI-D, NCP \(NCI-PRO\), NCP \(NCI-ULT\), NCP-C \(NCIC-PRO\), NCP-C \(NCIC-ULT\) 1 YEAR SUBSCRIPTION with professional services PID Mapping](#)

[Table 44.1, Nutanix Software NCI, NCI-C, NCI-D, NCP \(NCI-PRO\), NCP \(NCI-ULT\), NCP-C \(NCIC-PRO\), NCP-C \(NCIC-ULT\) 3 YEAR SUBSCRIPTION with professional services PID Mapping](#)

(4) Virtual Machine Migration:

Virtual machine (VM) Migration offers IT teams strong domain expertise to migrate virtual machines to Nutanix Cloud Infrastructure (NCI) per the customer-provided migration plan. This offer is ideal for the Migrate stage of a Hybrid Multicloud journey



**NOTE:**

- For more information on Virtual Machine Migration, please visit - <https://www.nutanix.com/content/dam/nutanix/resources/service-descriptions/sd-virtual-machine-migration.pdf>
- For more information on Cisco version of Nutanix Professional services, please visit - <https://www.nutanix.com/content/dam/nutanix/resources/service-descriptions/professional-services-service-descriptions-cisco.pdf>

Table 42.3 Virtual Machine Migration

Nutanix Software Product/Edition	Cisco Product PID	Cisco PID Description PS Offer Name - PS Offer Edition - PS Offer Option - Base/Variable	Nutanix PS Edition	Nutanix PS Option
NCI Starter	NT-S-MG-VM-STR-AVB	Virtual Machine Migration - From AHV - Base	None	From AHV
NCI Starter	NT-S-MG-VM-STR-AVV	Virtual Machine Migration - From AHV - Var	None	From AHV
NCI Starter	NT-S-MG-VM-STR-EXB	Virtual Machine Migration - From ESX - Base	None	From ESX
NCI Starter	NT-S-MG-VM-STR-EXV	Virtual Machine Migration - From ESX - Var	None	From ESX
NCI Pro	NT-S-MG-VM-PRO-AVB	Virtual Machine Migration - From AHV - Base	None	From AHV
NCI Pro	NT-S-MG-VM-PRO-AVV	Virtual Machine Migration - From AHV - Var	None	From AHV
NCI Pro	NT-S-MG-VM-PRO-EXB	Virtual Machine Migration - From ESX - Base	None	From ESX
NCI Pro	NT-S-MG-VM-PRO-EXV	Virtual Machine Migration - From ESX - Var	None	From ESX
NCI Ultimate	NT-S-MG-VM-ULT-AVB	Virtual Machine Migration - From AHV - Base	None	From AHV
NCI Ultimate	NT-S-MG-VM-ULT-AVV	Virtual Machine Migration - From AHV - Var	None	From AHV
NCI Ultimate	NT-S-MG-VM-ULT-EXB	Virtual Machine Migration - From ESX - Base	None	From ESX
NCI Ultimate	NT-S-MG-VM-ULT-EXV	Virtual Machine Migration - From ESX - Var	None	From ESX

Table 44.0, Nutanix Software NCI, NCI-C, NCI-D, NCP (NCI-PRO), NCP (NCI-ULT), NCP-C (NCIC-PRO), NCP-C (NCIC-ULT) 1 YEAR SUBSCRIPTION with professional services PID Mapping

Table 44.1, Nutanix Software NCI, NCI-C, NCI-D, NCP (NCI-PRO), NCP (NCI-ULT), NCP-C (NCIC-PRO), NCP-C (NCIC-ULT) 3 YEAR SUBSCRIPTION with professional services PID Mapping

(5) NCM Self-Service Design Workshop:

The Nutanix Cloud Management (NCM) Self-Service Design Workshop offers automation teams in-depth and practical guidance to create a comprehensive design for application-centric infrastructure automation and lifecycle management (LCM) platforms to streamline and accelerate application development. This workshop is beneficial during the Design stage of a Hybrid Multicloud journey.



**NOTE:**

- For more information on Nutanix Cloud Management (NCM) Self-Service Design Workshop, please visit - <https://www.nutanix.com/content/dam/nutanix/resources/datasheets/professional-services-service-descriptions.pdf>
- For more information on Cisco version of Nutanix Professional services, please visit - <https://www.nutanix.com/content/dam/nutanix/resources/service-descriptions/professional-services-service-descriptions-cisco.pdf>

Table 42.4 NCM Self-Service Design Workshop

Nutanix Software Product/Edition	Cisco Product PID	Cisco PID Description PS Offer Name - PS Offer Edition - PS Offer Option - Base/Variable	Nutanix PS Edition	Nutanix PS Option
NCM Pro	NT-W-SSD-PRO-SD-S	NCM Self-Service Design Workshop - Starter - Standard Doc	Starter	Standard Documentation
NCM Pro	NT-W-SSD-PRO-SD-P	NCM Self-Service Design Workshop - Pro - Standard Doc	Pro	Standard Documentation
NCM Ultimate	NT-W-SSD-ULT-SD-S	NCM Self-Service Design Workshop - Starter - Standard Doc	Starter	Standard Documentation
NCM Ultimate	NT-W-SSD-ULT-SD-P	NCM Self-Service Design Workshop - Pro - Standard Doc	Pro	Standard Documentation

*Table 45, Nutanix Software NCM STR 1 YEAR AND 3 YEAR & ABOVE SUBSCRIPTION with Professional Services PID Mapping*

*Table 46, Nutanix Software NCM PRO, NCM ULT, NCP (NCM-PRO), NCP (NCM-ULT) 1 YEAR AND 3 YEAR & ABOVE SUBSCRIPTION with Professional services*

(6) NCM Intelligent Operations Design:

The Nutanix Cloud Management (NCM) Intelligent Operations Design Workshop offers IT teams in-depth and practical guidance to create a comprehensive design for Nutanix X-Play automation and playbooks to automate common tasks.



**NOTE:**

- For more information on NCM Intelligent Operations Design Workshop, please visit - <https://www.nutanix.com/content/dam/nutanix/resources/service-descriptions/sd-ncm-intelligent-operations-design.pdf>
- For more information on Cisco version of Nutanix Professional services, please visit - <https://www.nutanix.com/content/dam/nutanix/resources/service-descriptions/professional-services-service-descriptions-cisco.pdf>

Table 42.5 NCM Intelligent Operations Design Workshop

Nutanix Software Product/Edition	Cisco Product PID	Cisco PID Description PS Offer Name - PS Offer Edition - PS Offer Option - Base/Variable	Nutanix PS Edition	Nutanix PS Option
NCM Starter	NT-W-OD-STR-SD	NCM Intelligent Operations Design Workshop - Standard Doc	None	Standard Documentation
NCM Pro	NT-W-OD-PRO-SD	NCM Intelligent Operations Design Workshop - Standard Doc	None	Standard Documentation
NCM Ultimate	NT-W-OD-ULT-SD	NCM Intelligent Operations Design Workshop - Standard Doc	None	Standard Documentation

*Table 45, Nutanix Software NCM STR 1 YEAR AND 3 YEAR & ABOVE SUBSCRIPTION with Professional Services PID Mapping*

*Table 46, Nutanix Software NCM PRO, NCM ULT, NCP (NCM-PRO), NCP (NCM-ULT) 1 YEAR AND 3 YEAR & ABOVE SUBSCRIPTION with Professional services*

(7) NCM Intelligent Operations Deployment:

The Nutanix Cloud Management (NCM) Intelligent Operations Deployment accelerates the deployment of Nutanix X-Play automation and playbooks to automate common tasks with in-depth expertise from highly skilled consultants.



**NOTE:**

- For more information on NCM Intelligent Operations Deployment Workshop, please visit - <https://www.nutanix.com/content/dam/nutanix/resources/service-descriptions/sd-ncm-intelligent-operations-deployment.pdf>
- For more information on Cisco version of Nutanix Professional services, please visit - <https://www.nutanix.com/content/dam/nutanix/resources/service-descriptions/professional-services-service-descriptions-cisco.pdf>

Table 42.6 NCM Intelligent Operations Deployment

Nutanix Software Product/Edition	Cisco Product PID	Cisco PID Description PS Offer Name - PS Offer Edition - PS Offer Option - Base/Variable	Nutanix PS Edition	Nutanix PS Option
NCM Starter	NT-S-OP-STR	NCM Intelligent Operations Deployment	None	None
NCM Pro	NT-S-OP-PRO	NCM Intelligent Operations Deployment	None	None
NCM Ultimate	NT-S-OP-ULT	NCM Intelligent Operations Deployment	None	None

*Table 45, Nutanix Software NCM STR 1 YEAR AND 3 YEAR & ABOVE SUBSCRIPTION with Professional Services PID Mapping*

*Table 46, Nutanix Software NCM PRO, NCM ULT, NCP (NCM-PRO), NCP (NCM-ULT) 1 YEAR AND 3 YEAR & ABOVE SUBSCRIPTION with Professional services*

**(8) FastTrack for NCM Self-Service:**

FastTrack for Nutanix Cloud Manager (NCM) Self-Service accelerates the deployment and configuration of NCM Self-Service, which streamlines how teams manage, deploy, and scale applications across hybrid clouds with self-service, automation, and centralized role-based governance, with expertise from highly skilled automation consultants.

**NOTE:**

- For more information on Fast Track for NCM Self-Service, please visit - <https://www.nutanix.com/content/dam/nutanix/resources/service-descriptions/sd-ncm-intelligent-operations-deployment.pdf>
- For more information on Cisco version of Nutanix Professional services, please visit - <https://www.nutanix.com/content/dam/nutanix/resources/service-descriptions/professional-services-service-descriptions-cisco.pdf>

Table 42.7 FastTrack for NCM Self-Service

Nutanix Software Product/Edition	Cisco Product PID	Cisco PID Description PS Offer Name - PS Offer Edition - PS Offer Option - Base/Variable	Nutanix PS Edition	Nutanix PS Option
NCM Pro	NT-F-PRO-SS	FastTrack for NCM Self-Service	None	None
NCM Ultimate	NT-F-ULT-SS	FastTrack for NCM Self-Service	None	None

*Table 45, Nutanix Software NCM STR 1 YEAR AND 3 YEAR & ABOVE SUBSCRIPTION with Professional Services PID Mapping*

*Table 46, Nutanix Software NCM PRO, NCM ULT, NCP (NCM-PRO), NCP (NCM-ULT) 1 YEAR AND 3 YEAR & ABOVE SUBSCRIPTION with Professional services*

(9) FastTrack for NCM Cost Governance:

The FastTrack for Nutanix Cloud Management (NCM) Cost Governance accelerates the onboarding of deep visibility and rich analytics detailing cloud consumption patterns along with one-click cost optimization across cloud environments with expertise from highly skilled consultants. IT teams can choose to onboard on-premises Nutanix Cloud Infrastructure (NCI) clusters or a public cloud platform.



**NOTE:**

- For more information on Fast Track for NCM Cost Governance, please visit - <https://www.nutanix.com/content/dam/nutanix/resources/service-descriptions/sd-ncm-intelligent-operations-deployment.pdf>
- For more information on Cisco version of Nutanix Professional services, please visit - <https://www.nutanix.com/content/dam/nutanix/resources/service-descriptions/professional-services-service-descriptions-cisco.pdf>

Table 42.8 FastTrack for NCM Cost Governance

Nutanix Software Product/Edition	Cisco Product PID	Cisco PID Description PS Offer Name - PS Offer Edition - PS Offer Option - Base/Variable	Nutanix PS Edition	Nutanix PS Option
NCM Pro	NT-F-PRO-CG	FastTrack for NCM Cost Governance	None	None
NCM Ultimate	NT-F-ULT-CG	FastTrack for NCM Cost Governance	None	None

Table 45, Nutanix Software NCM STR 1 YEAR AND 3 YEAR & ABOVE SUBSCRIPTION with Professional Services PID Mapping

Table 46, Nutanix Software NCM PRO, NCM ULT, NCP (NCM-PRO), NCP (NCM-ULT) 1 YEAR AND 3 YEAR & ABOVE SUBSCRIPTION with Professional services

**(10) Nutanix AI GPT Bundles Services:**

The Nutanix Enterprise AI (NAI) generative pretrained transformer (GPT) Bundle offers a streamlined, fullstack solution for orchestrating AI/ML workloads with Nutanix Enterprise AI GPT-in-a-Box. Purpose-built for

AI/ML teams, this offering simplifies the deployment and management of large language models (LLMs) in a secure, scalable environment.

NAI GPT-in-a-Box integrates the following core components:

- Nutanix Enterprise AI (NAI) - Optimized for AI/ML model orchestration and performance
- Nutanix Cloud Infrastructure (NCI) - Delivers a resilient, high-performance foundation
- Nutanix Unified Storage (NUS) - Supports high-throughput, scalable data storage
- Nutanix Kubernetes Platform (NKP) - Enables containerized deployment and lifecycle management of LLMs

Covering the key stages of the AI journey—Plan, Design, Deploy, and Optimize—the NAI GPT Bundle empowers teams to reduce complexity, accelerate time-to-value, and confidently build a future-ready AI infrastructure.



**NOTE:**

- For more information on Nutanix AI GPT Bundles Services, please visit - <https://www.nutanix.com/content/dam/nutanix/en/resources/service-descriptions/sd-nai-gpt-deployment.pdf>
- For more information on Cisco version of Nutanix Professional services, please visit - <https://www.nutanix.com/content/dam/nutanix/resources/service-descriptions/professional-services-service-descriptions-cisco.pdf>

**Table 42.9 Nutanix AI GPT Bundles Services**

Nutanix Software Product/Edition	Cisco Product PID	Cisco PID Description PS Offer Name - PS Offer Edition - PS Offer Option - Base/Variable	Nutanix PS Edition	Nutanix PS Option
NAI GPT PRO	NT-B-AIGPT-PRO-SDB	NAI GPT Pro Bundle - Std Docs - Base (QTY = Use Case)	None	None
NAI GPT PRO	NT-B-AIGPT-PRO-SDV	NAI GPT Pro Bundle - Std Docs - Variable (QTY= Node)	None	None
NAI GPT ULT	NT-B-AIGPT-ULT-SDB	NAI GPT Ult Bundle - Std Docs - Base (QTY = Use Case)	None	None
NAI GPT ULT	NT-B-AIGPT-ULT-SDV	NAI GPT Ult Bundle - Std Docs - Variable (QTY = Node)	None	None

(11) Nutanix AI Planning Workshop:

The Nutanix Artificial Intelligence / Machine Learning (AI/ML) Planning provides IT teams with comprehensive, hands-on guidance for planning and implementing infrastructure for AI/ML workloads using the Generative Pre-trained Transformer (GPT) model on Nutanix Cloud Infrastructure (NCI) clusters and various cloud providers. This engagement is beneficial during the Planning stage of the AI/ML solution journey.



**NOTE:**

- For more information on Nutanix AI Planning Workshop, please visit - <https://www.nutanix.com/content/dam/nutanix/en/resources/service-descriptions/sd-ai-ml-planning.pdf>
- For more information on Cisco version of Nutanix Professional services, please visit - <https://www.nutanix.com/content/dam/nutanix/resources/service-descriptions/professional-services-service-descriptions-cisco.pdf>

Table 42.10 Nutanix AI Planning Workshop

Nutanix Software Product/Edition	Cisco Product PID	Cisco PID Description PS Offer Name - PS Offer Edition - PS Offer Option - Base/Variable	Nutanix PS Edition	Nutanix PS Option
	NT-P-AI	AI/ML Planning Workshop (Qty=Use Case)	None	None

(12) Nutanix AI Design Workshop:

The Artificial Intelligence/Machine Learning (AI/ML) Design provides a focused design service to ensure readiness for deploying AI workloads based on a Generative Pre-trained Transformer (GPT). Designed as a strategic step in your AI/ML journey, this engagement helps organizations plan and validate architecture for inference use cases, ensuring interoperability, security, and scalability for future growth.

This engagement focuses on:

- Capturing solution requirements, constraints, assumptions, and key decisions
- Designing AI workload architecture on NCI, including GPU sizing and configuration
- Validating integration with identity services (AD/LDAP), DNS, and data governance policies
- Planning for security measures such as encryption, SSL certificates, and syslog
- Aligning design with Nutanix recommended practices for performance and operational readiness

This service is especially valuable for organizations deploying AI/ML workloads on Cisco UCS platforms, ensuring optimized design for inference use cases and future scalability.



**NOTE:**

- For more information on Nutanix AI Design Workshop, please visit - <https://www.nutanix.com/content/dam/nutanix/en/resources/service-descriptions/sd-ai-ml-design.pdf>
- For more information on Cisco version of Nutanix Professional services, please visit - <https://www.nutanix.com/content/dam/nutanix/resources/service-descriptions/professional-services-service-descriptions-cisco.pdf>

Table 42.11 Nutanix AI Design Workshop

Nutanix Software Product/Edition	Cisco Product PID	Cisco PID Description PS Offer Name - PS Offer Edition - PS Offer Option - Base/Variable	Nutanix PS Edition	Nutanix PS Option
	NT-W-AID	AI/ML Design Workshop (Qty=Use Case)	None	None

**(13) Nutanix AI Strategy and Optimization Workshop:**

The artificial intelligence/ machine learning (AI/ML) Strategy and Optimization Series is designed to help organizations harness the full potential of their AI initiatives. Delivered as a monthly engagement, this service ensures that businesses remain at the forefront of AI/ML innovation by aligning their AI/ML solutions running on Nutanix with evolving market demands and technological advancements. With expert guidance from seasoned Nutanix consultants, organizations gain the insights needed to optimize performance, uncover new opportunities, and scale their AI/ML initiatives strategically. This design session is beneficial during the Optimize stage of the AI/ML solution journey..



**NOTE:**

- For more information on Nutanix AI Strategy and Optimization Workshop, please visit - <https://www.nutanix.com/content/dam/nutanix/en/resources/service-descriptions/sd-ai-ml-strategy-and-optimization-series.pdf>
- For more information on Cisco version of Nutanix Professional services, please visit - <https://www.nutanix.com/content/dam/nutanix/resources/service-descriptions/professional-services-service-descriptions-cisco.pdf>

**Table 42.12 Nutanix AI Strategy and Optimization Workshop**

Nutanix Software Product/Edition	Cisco Product PID	Cisco PID Description PS Offer Name - PS Offer Edition - PS Offer Option - Base/Variable	Nutanix PS Edition	Nutanix PS Option
	NT-W-AIO	AI/ML Strategy and Optimization Workshop (Qty=Series)	None	None

(14) Nutanix AI Deployment:

The Nutanix Enterprise Artificial Intelligence (NAI) Deployment service accelerates the deployment of a comprehensive inference endpoint management product designed to streamline and optimize your AI model orchestration experience. NAI allows you to select, deploy, and manage large language models (LLMs) on a Kubernetes cluster. This offer is ideal for the Deploy stage of the Nutanix Enterprise AI solution journey.



**NOTE:**

- For more information on Nutanix AI Deployment, please visit - <https://www.nutanix.com/content/dam/nutanix/resources/service-descriptions/sd-ncm-intelligent-operations-deployment.pdf>
- For more information on Cisco version of Nutanix Professional services, please visit - <https://www.nutanix.com/content/dam/nutanix/resources/service-descriptions/professional-services-service-descriptions-cisco.pdf>

Table 42.13 Nutanix AI Deployment

Nutanix Software Product/Edition	Cisco Product PID	Cisco PID Description PS Offer Name - PS Offer Edition - PS Offer Option - Base/Variable	Nutanix PS Edition	Nutanix PS Option
	NT-S-AID	NAI Deployment (Qty=Cluster)	None	None

(15) NKP Design Workshop:

The NKP (Nutanix Kubernetes Platform) Design Workshop is a professional services offering that provides IT teams with in-depth and practical guidance to create a comprehensive design for on-premises Nutanix Cloud Infrastructure (NCI) clusters. This workshop covers various aspects such as scalability, functionality, integration, and operational needs. It is particularly beneficial during the Design stage of a Hybrid Multicloud journey, especially for complex solutions involving third-party applications and automation.



**NOTE:**

- For more information on NKP Design Workshop, please visit - <https://www.nutanix.com/viewer/content/dam/nutanix/en/resources/service-descriptions/sd-nkp-design-workshop.pdf>
- For more information on Cisco version of Nutanix Professional services, please visit - <https://www.nutanix.com/content/dam/nutanix/resources/service-descriptions/professional-services-service-descriptions-cisco.pdf>

Table 42.14 NKP Design Workshop

Nutanix Software Product/Edition	Cisco Product PID	Cisco PID Description PS Offer Name - PS Offer Edition - PS Offer Option - Base/Variable	Nutanix PS Edition	Nutanix PS Option
NKP Starter	NT-W-KD-STR-SD	NKP Design Workshop - Essential - Std Doc (Qty=Provider)	None	Standard Documentation
NKP Pro	NT-W-KD-PRO-SD	NKP Design Workshop - Advantage - Std Doc (Qty=Provider)	None	Standard Documentation
NKP Ultimate	NT-W-KD-ULT-SD	NKP Design Workshop - Enterprise - Std Doc (Qty=Pair of Sites)	None	Standard Documentation

[Table 45, Nutanix Software NCM STR 1 YEAR AND 3 YEAR & ABOVE SUBSCRIPTION with Professional Services PID Mapping](#)

[Table 46, Nutanix Software NCM PRO, NCM ULT, NCP \(NCM-PRO\), NCP \(NCM-ULT\) 1 YEAR AND 3 YEAR & ABOVE SUBSCRIPTION with Professional services](#)

(16) NKP Deployment:

The Nutanix Kubernetes Platform (NKP) Deployment on Cisco Compute Hyperconverged infrastructure involves several key steps and components to automate and simplify Kubernetes cluster management.



**NOTE:**

- For more information on NCM Intelligent NKP Deployment, please visit - <https://www.nutanix.com/viewer/content/dam/nutanix/en/resources/service-descriptions/sd-nkp-deployment.pdf>
- For more information on Cisco version of Nutanix Professional services, please visit - <https://www.nutanix.com/content/dam/nutanix/resources/service-descriptions/professional-services-service-descriptions-cisco.pdf>

Table 42.15 NKP Deployment

Nutanix Software Product/Edition	Cisco Product PID	Cisco PID Description PS Offer Name - PS Offer Edition - PS Offer Option - Base/Variable	Nutanix PS Edition	Nutanix PS Option
NKP Starter	NT-S-KD-STR	NKP Deployment - Essential (Qty=Cluster)	None	None
NKP Pro	NT-S-KD-PRO	NKP Deployment - Advantage (Qty=Provider)	None	None
NKP Ultimate	NT-S-KD-ULT	NKP Deployment - Enterprise (Qty=Provider)	None	None

*Table 45, Nutanix Software NCM STR 1 YEAR AND 3 YEAR & ABOVE SUBSCRIPTION with Professional Services PID Mapping*

*Table 46, Nutanix Software NCM PRO, NCM ULT, NCP (NCM-PRO), NCP (NCM-ULT) 1 YEAR AND 3 YEAR & ABOVE SUBSCRIPTION with Professional services*

(17) Nutanix Services Flexible Credits:

Nutanix Flex Credits provide a credits program for purchasing Nutanix Professional Services. This program provides the flexibility to utilize your budget cycles to pre-buy credits for future use of Nutanix Professional Services and training via redemption of credits. Within the terms of validity of your Flex Credits, use the credits for the portfolio of Nutanix Professional Services including Consulting, Resident, Technical Account Manager, and Education.



**NOTE:**

- For more information on Nutanix Services Flexible Credits, please visit - <https://www.nutanix.com/content/dam/nutanix/resources/service-descriptions/sd-ncm-intelligent-operations-deployment.pdf>
- For more information on Cisco version of Nutanix Professional services, please visit - <https://www.nutanix.com/content/dam/nutanix/resources/service-descriptions/professional-services-service-descriptions-cisco.pdf>

Table 42.16 Nutanix Flexible Credits

Nutanix Software Product/Edition	Cisco Product PID	Cisco PID Description PS Offer Name - PS Offer Edition - PS Offer Option - Base/Variable	Nutanix PS Edition	Nutanix PS Option
All	NT-FLEX-CST-CR	Nutanix Services Flexible Credits (1 QTY = 100 Credits)	None	None

*Table 45, Nutanix Software NCM STR 1 YEAR AND 3 YEAR & ABOVE SUBSCRIPTION with Professional Services PID Mapping*

*Table 46, Nutanix Software NCM PRO, NCM ULT, NCP (NCM-PRO), NCP (NCM-ULT) 1 YEAR AND 3 YEAR & ABOVE SUBSCRIPTION with Professional services*

## Nutanix Support:

Table 43 Nutanix Support

Product ID (PID)	PID Description
Nutanix Support	
SVS-NT-SUP	Entitlement ONLY for Nutanix Cloud Infrastructure SW

## Software With Professional Services PID Mapping



**NOTE:** Recommended to select the matching/higher level of service options for the subscribed software. For example: If ULT (Ultimate) software is selected, recommended to choose the ULT services from the below columns. However, it is allowed to select the lower version of the services.

Table 44.0 Nutanix Software NCI, NCI-C, NCI-D, NCP (NCI-PRO), NCP (NCI-ULT), NCP-C (NCIC-PRO), NCP-C (NCIC-ULT) **1 YEAR SUBSCRIPTION** with professional services PID Mapping

Software PIDs	Mandatory Professional Services PIDs	
	NCI Design Workshop (select one service)	NCI Cluster Deployment or Expansion (select a Pair of service)
<b>STR:</b> <b>NCI</b> NT-NCI-STR-PR NT-NCI-STR-MC NT-NCI-STR-AP NT-NCI-STR-AM NT-NCI-STR-FP NT-NCI-STR-FM  <b>NCI -C</b> NT-NCIC-STR-PR NT-NCIC-STR-MC NT-NCIC-STR-FP NT-NCIC-STR-FM  <b>NCI-D</b> NT-NCI-D-STR-PR NT-NCI-D-STR-MC NT-NCI-D-STR-AP NT-NCI-D-STR-AM NT-NCI-D-STR-FP NT-NCI-D-STR-FM	<b>STR:</b> NT-W-DS-STR NT-W-DS-STR-SD  <b>PRO:</b> NT-W-DS-PRO NT-W-DS-PRO-SD  <b>ULT:</b> NT-W-DS-ULT-SD	<b>STR:</b> NT-S-DP-STR-AVB and NT-S-DP-STR-AVV or NT-S-DP-STR-EXB and N T-S-DP-STR-EXV  <b>PRO:</b> NT-S-DP-PRO-AV-SB and NT-S-DP-PRO-AV-SV or NT-S-DP-PRO-EX-SB and NT-S-DP-PRO-EX-SV or NT-S-DP-PRO-AV-PB and NT-S-DP-PRO-AV-PV or NT-S-DP-PRO-EX-PB and NT-S-DP-PRO-EX-PV  <b>ULT:</b> NT-S-DP-ULT-AV-SB and NT-S-DP-ULT-AV-SV or NT-S-DP-ULT-EX-SB and NT-S-DP-ULT-EX-SV or NT-S-DP-ULT-AV-PB and NT-S-DP-ULT-AV-PV or NT-S-DP-ULT-EX-PB and NT-S-DP-ULT-EX-PV or NT-S-DP-ULT-AV-UB and NT-S-DP-ULT-AV-UV or NT-S-DP-ULT-EX-UB and NT-S-DP-ULT-EX-UV

Table 44.0 Nutanix Software NCI, NCI-C, NCI-D, NCP (NCI-PRO), NCP (NCI-ULT), NCP-C (NCIC-PRO), NCP-C (NCIC-ULT) **1 YEAR SUBSCRIPTION** with professional services PID Mapping

<p><b>PRO:</b></p> <p><b>NCI</b></p> <p>NT-NCI-PRO-PR  NT-NCI-PRO-MC  NT-NCI-PRO-AP  NT-NCI-PRO-AM  NT-NCI-PRO-FP  NT-NCI-PRO-FM</p> <p><b>NCI -C</b></p> <p>NT-NCIC-PRO-PR  NT-NCIC-PRO-MC  NT-NCIC-PRO-FP  NT-NCIC-PRO-FM</p> <p><b>NCI-D</b></p> <p>NT-NCI-D-PRO-PR  NT-NCI-D-PRO-MC  NT-NCI-D-PRO-AP  NT-NCI-D-PRO-AM  NT-NCI-D-PRO-FP  NT-NCI-D-PRO-FM</p> <p><b>NCP (NCI-PRO)</b></p> <p>NT-NCP-NCI-PRO-PR  NT-NCP-NCI-PRO-MC  NT-NCP-NCI-PRO-AP  NT-NCP-NCI-PRO-AM  NT-NCP-NCI-PRO-FP  NT-NCP-NCI-PRO-FM</p> <p><b>NCP - C (NCIC-PRO)</b></p> <p>NT-NCP-NCIC-PO-PR  NT-NCP-NCIC-PO-MC  NT-NCP-NCIC-PO-FP  NT-NCP-NCIC-PO-FM</p>		
--	--	--

Table 44.0 Nutanix Software NCI, NCI-C, NCI-D, NCP (NCI-PRO), NCP (NCI-ULT), NCP-C (NCIC-PRO), NCP-C (NCIC-ULT) **1 YEAR SUBSCRIPTION** with professional services PID Mapping

<p><b>ULT:</b></p> <p><b>NCI</b></p> <p>NT-NCI-ULT-PR  NT-NCI-ULT-MC  NT-NCI-ULT-AP  NT-NCI-ULT-AM  NT-NCI-ULT-FP  NT-NCI-ULT-FM</p> <p><b>NCI -C</b></p> <p>NT-NCIC-ULT-PR  NT-NCIC-ULT-MC  NT-NCIC-ULT-FP  NT-NCIC-ULT-FM</p> <p><b>NCI-D</b></p> <p>NT-NCI-D-ULT-PR  NT-NCI-D-ULT-MC  NT-NCI-D-ULT-AP  NT-NCI-D-ULT-AM  NT-NCI-D-ULT-FP  NT-NCI-D-ULT-FM</p> <p><b>NCP (NCI-ULT)</b></p> <p>NT-NCP-NCI-ULT-PR  NT-NCP-NCI-ULT-MC  NT-NCP-NCI-ULT-AP  NT-NCP-NCI-ULT-AM  NT-NCP-NCI-ULT-FP  NT-NCP-NCI-ULT-FM</p> <p><b>NCP - C (NCIC-ULT)</b></p> <p>NT-NCP-NCIC-UT-PR  NT-NCP-NCIC-UT-MC  NT-NCP-NCIC-UT-FP  NT-NCP-NCIC-UT-FM</p>		
--	--	--



**NOTE:** Recommended to select the matching/higher level of service options for the subscribed software. For example: If ULT (Ultimate) software is selected, recommended to choose the ULT services from the below columns. However, it is allowed to select the lower version of the services.

Table 44.1 Nutanix Software NCI, NCI-C, NCI-D, NCP (NCI-PRO), NCP (NCI-ULT), NCP-C (NCIC-PRO), NCP-C (NCIC-ULT) **3 YEAR SUBSCRIPTION** with professional services PID Mapping

Software PIDs	Mandatory Professional Services PIDs	
	NCI Design Workshop (select one service)	NCI Cluster Deployment or Expansion (select a Pair of service)
<b>STR:</b> <b>NCI</b> NT-NCI-STR-PR NT-NCI-STR-MC NT-NCI-STR-AP NT-NCI-STR-AM NT-NCI-STR-FP NT-NCI-STR-FM  <b>NCI -C</b> NT-NCIC-STR-PR NT-NCIC-STR-MC NT-NCIC-STR-FP NT-NCIC-STR-FM  <b>NCI-D</b> NT-NCI-D-STR-PR NT-NCI-D-STR-MC NT-NCI-D-STR-AP NT-NCI-D-STR-AM NT-NCI-D-STR-FP NT-NCI-D-STR-FM	<b>STR:</b> NT-W-DS-STR NT-W-DS-STR-SD  <b>PRO:</b> NT-W-DS-PRO NT-W-DS-PRO-SD  <b>ULT:</b> NT-W-DS-ULT-SD	<b>STR:</b> NT-S-DP-STR-AVB and NT-S-DP-STR-AVV or NT-S-DP-STR-EXB and N T-S-DP-STR-EXV  <b>PRO:</b> NT-S-DP-PRO-AV-SB and NT-S-DP-PRO-AV-SV or NT-S-DP-PRO-EX-SB and NT-S-DP-PRO-EX-SV or NT-S-DP-PRO-AV-PB and NT-S-DP-PRO-AV-PV or NT-S-DP-PRO-EX-PB and NT-S-DP-PRO-EX-PV  <b>ULT:</b> NT-S-DP-ULT-AV-SB and NT-S-DP-ULT-AV-SV or NT-S-DP-ULT-EX-SB and NT-S-DP-ULT-EX-SV or NT-S-DP-ULT-AV-PB and NT-S-DP-ULT-AV-PV or NT-S-DP-ULT-EX-PB and NT-S-DP-ULT-EX-PV or NT-S-DP-ULT-AV-UB and NT-S-DP-ULT-AV-UV or NT-S-DP-ULT-EX-UB and NT-S-DP-ULT-EX-UV

Table 44.1 Nutanix Software NCI, NCI-C, NCI-D, NCP (NCI-PRO), NCP (NCI-ULT), NCP-C (NCIC-PRO), NCP-C (NCIC-ULT) 3 YEAR SUBSCRIPTION with professional services PID Mapping

<p><b>PRO:</b></p> <p><b>NCI</b></p> <p>NT-NCI-PRO-PR  NT-NCI-PRO-MC  NT-NCI-PRO-AP  NT-NCI-PRO-AM  NT-NCI-PRO-FP  NT-NCI-PRO-FM</p> <p><b>NCI -C</b></p> <p>NT-NCIC-PRO-PR  NT-NCIC-PRO-MC  NT-NCIC-PRO-FP  NT-NCIC-PRO-FM</p> <p><b>NCI-D</b></p> <p>NT-NCI-D-PRO-PR  NT-NCI-D-PRO-MC  NT-NCI-D-PRO-AP  NT-NCI-D-PRO-AM  NT-NCI-D-PRO-FP  NT-NCI-D-PRO-FM</p> <p><b>NCP (NCI-PRO)</b></p> <p>NT-NCP-NCI-PRO-PR  NT-NCP-NCI-PRO-MC  NT-NCP-NCI-PRO-AP  NT-NCP-NCI-PRO-AM  NT-NCP-NCI-PRO-FP  NT-NCP-NCI-PRO-FM</p> <p><b>NCP - C (NCIC-PRO)</b></p> <p>NT-NCP-NCIC-PO-PR  NT-NCP-NCIC-PO-MC  NT-NCP-NCIC-PO-FP  NT-NCP-NCIC-PO-FM</p>		
--	--	--

Table 44.1 Nutanix Software NCI, NCI-C, NCI-D, NCP (NCI-PRO), NCP (NCI-ULT), NCP-C (NCIC-PRO), NCP-C (NCIC-ULT) 3 YEAR SUBSCRIPTION with professional services PID Mapping

<p><b>ULT:</b></p> <p><b>NCI</b></p> <p>NT-NCI-ULT-PR  NT-NCI-ULT-MC  NT-NCI-ULT-AP  NT-NCI-ULT-AM  NT-NCI-ULT-FP  NT-NCI-ULT-FM</p> <p><b>NCI -C</b></p> <p>NT-NCIC-ULT-PR  NT-NCIC-ULT-MC  NT-NCIC-ULT-FP  NT-NCIC-ULT-FM</p> <p><b>NCI-D</b></p> <p>NT-NCI-D-ULT-PR  NT-NCI-D-ULT-MC  NT-NCI-D-ULT-AP  NT-NCI-D-ULT-AM  NT-NCI-D-ULT-FP  NT-NCI-D-ULT-FM</p> <p><b>NCP (NCI-ULT)</b></p> <p>NT-NCP-NCI-ULT-PR  NT-NCP-NCI-ULT-MC  NT-NCP-NCI-ULT-AP  NT-NCP-NCI-ULT-AM  NT-NCP-NCI-ULT-FP  NT-NCP-NCI-ULT-FM</p> <p><b>NCP - C (NCIC-ULT)</b></p> <p>NT-NCP-NCIC-UT-PR  NT-NCP-NCIC-UT-MC  NT-NCP-NCIC-UT-FP  NT-NCP-NCIC-UT-FM</p>		
--	--	--



**NOTE:** Recommended to select the matching/higher level of service options for the subscribed software. For example: If ULT (Ultimate) software is selected, recommended to choose the ULT services from the below columns. However, it is allowed to select the lower version of the services.

Table 45 Nutanix Software NCM STR [REDACTED] with Professional Services PID Mapping

Software PIDs	Recommended Professional Services PIDs	
	NCM Intelligent Operations Design (select one service)	NCM Intelligent Operations Deployment (select one service)
<b>STR:</b> <b>NCM</b> NT-NCM-STR-PR NT-NCM-STR-MC NT-NCM-STR-AP NT-NCM-STR-AM NT-NCM-STR-FP NT-NCM-STR-FM	<b>STR:</b> NT-W-OD-STR-SD  <b>PRO:</b> NT-W-OD-PRO-SD  <b>ULT:</b> NT-W-OD-ULT-SD	<b>STR:</b> NT-S-OP-STR  <b>PRO:</b> NT-S-OP-PRO  <b>ULT:</b> NT-S-OP-ULT



**NOTE:** Recommended to select the matching/higher level of service options for the subscribed software. For example: If ULT (Ultimate) software is selected, recommended to choose the ULT services from the below columns. However, it is allowed to select the lower version of the services.

Table 46 Nutanix Software NCM PRO, NCM ULT, NCP (NCM-PRO), NCP (NCM-ULT) with Professional services

Software PIDs	Mandatory Professional Services PIDs	
	NCM Intelligent Operations Design (select one service)	NCM Intelligent Operations Deployment (select one service)
<b>PRO:</b>  <b>NCM</b> NT-NCM-PRO-PR NT-NCM-PRO-MC NT-NCM-PRO-AP NT-NCM-PRO-AM NT-NCM-PRO-FP NT-NCM-PRO-FM  <b>NCP (NCM-PRO)</b> NT-NCP-NCM-PRO-PR NT-NCP-NCM-PRO-MC NT-NCP-NCM-PRO-AP NT-NCP-NCM-PRO-AM NT-NCP-NCM-PRO-FP NT-NCP-NCM-PRO-FM  <b>ULT:</b> <b>NCM</b> NT-NCM-ULT-PR NT-NCM-ULT-MC NT-NCM-ULT-AP NT-NCM-ULT-AM NT-NCM-ULT-FP NT-NCM-ULT-FM  <b>NCP (NCM-ULT)</b> NT-NCP-NCM-ULT-PR NT-NCP-NCM-ULT-MC NT-NCP-NCM-ULT-AP NT-NCP-NCM-ULT-AM NT-NCP-NCM-ULT-FP NT-NCP-NCM-ULT-FM	<b>STR:</b> NT-W-OD-STR-SD  <b>PRO:</b> NT-W-OD-PRO-SD  <b>ULT:</b> NT-W-OD-ULT-SD	<b>STR:</b> NT-S-OP-STR  <b>PRO:</b> NT-S-OP-PRO  <b>ULT:</b> NT-S-OP-ULT

## SELECT GUEST VM OPERATING SYSTEM LICENSES

Select VM Operating System Licenses desired from [Table 47](#)



**NOTE:** Microsoft operating system: Optional Microsoft guest OS license that may be purchased for Virtual Machines that run on top of AHV hypervisor.

Table 47 Guest VM Operating System Licenses

Product ID (PID)	PID Description
<b>Microsoft Options</b>	
MSWS-25-ST16C	Windows Server 2025 Standard, 16 Cores
MSWS-25-ST16C-NS	Windows Server 2025 Standard, 16 Cores - No Cisco SVC
MSWS-25-ST24C	Windows Server 2025 Standard, 24 Cores
MSWS-25-ST24C-NS	Windows Server 2025 Standard, 24 Cores - No SVC
MSWS-25-DC16C	Windows Server 2025 Datacenter, 16 Cores
MSWS-25-DC16C-NS	Windows Server 2025 Datacenter, 16 Cores - No SVC
MSWS-25-DC24C	Windows Server 2025 Datacenter, 24 Cores
MSWS-25-DC24C-NS	Windows Server 2025 Datacenter, 24 Cores - No SVC

# SUPPLEMENTAL MATERIAL

## Simplified Block Diagram

A simplified block diagram of the Cisco Compute Hyperconverged HCIXNX215c M8 All-NVMe Compute Node system board is shown in *Figure 11*.

Figure 11 Compute Node Simplified Block Diagram (VIC 25G with Drives)

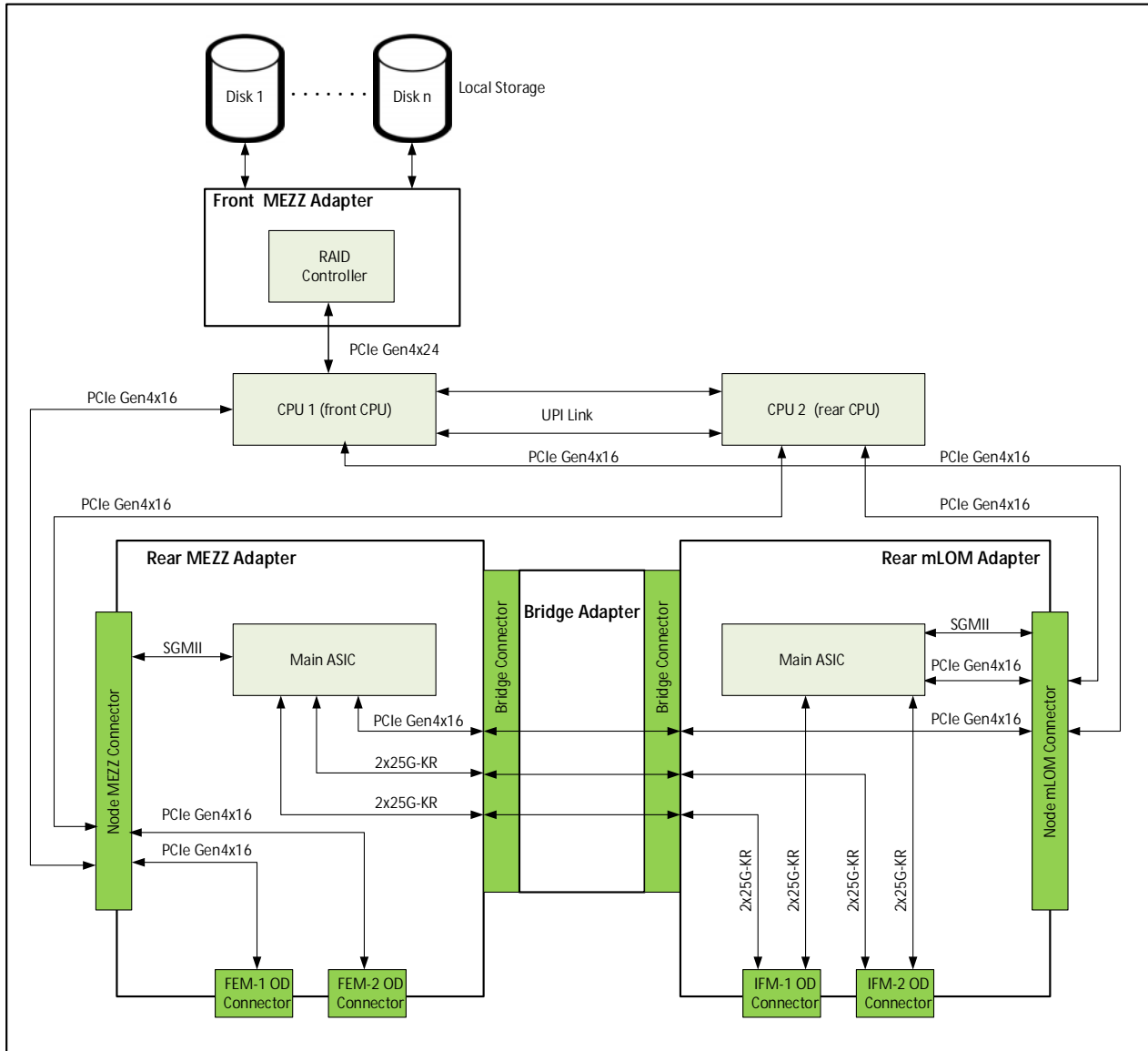
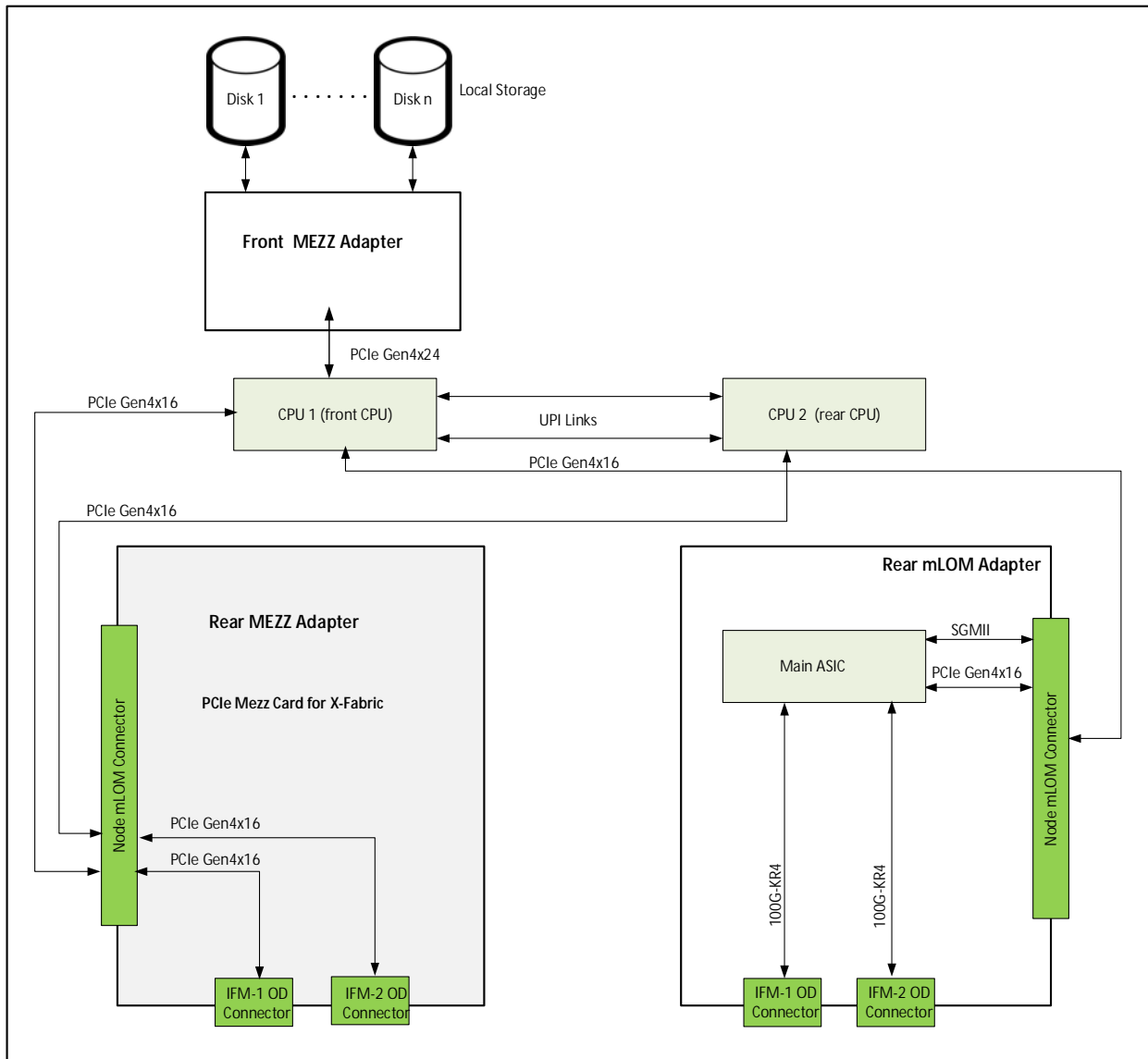


Figure 12 Compute Node Simplified Block Diagram (VIC 100G with Drives)



## UPGRADING or REPLACING CPUs and Memory

Refer to [Cisco UCS X215c M8 Server Installation and Service Guide](#) for upgrading or replacing the CPUs and Memory Devices.

## TECHNICAL SPECIFICATIONS

### Dimensions and Weight

Table 48 Server Dimensions and Weight

Parameter	Value
Height	1.80 in. (45.7 mm)
Width	11.28 in. (286.5 mm)
Depth	23.7 in. (602 mm)
Weight	<ul style="list-style-type: none"> <li>■ Minimally configured node weight = 12.84 lbs. (5.83 kg)</li> <li>■ Fully configured compute node weight = 25.1 lbs. (11.39 kg)</li> </ul>

### Environmental Specifications

Table 49 Server Environmental Specifications

Parameter	Value
Operating temperature	50° to 95° F (10° to 35° C)
Non-operating temperature	-40° to 149° F (-40° to 65° C)
Operating humidity	5% to 90% noncondensing
Non-operating humidity	5% to 93% noncondensing
Operating altitude	0 to 10,000 ft (0 to 3000m); maximum ambient temperature decreases by 1° C per 300m
Non-operating altitude	40,000 ft (12,000m)

For configuration-specific power specifications, use the Cisco Power Calculator at:

<http://ucspowercalc.cisco.com>



**NOTE:** The ambient temperature must be less than 35 °C (95 °F).





---

**Americas Headquarters**  
Cisco Systems, Inc.  
San Jose, CA

**Asia Pacific Headquarters**  
Cisco Systems (USA) Pte. Ltd.  
Singapore

**Europe Headquarters**  
Cisco Systems International BV Amsterdam,  
The Netherlands

---

Cisco has more than 200 offices worldwide. Addresses, phone numbers, and fax numbers are listed on the Cisco Website at [www.cisco.com/go/offices](http://www.cisco.com/go/offices).

---

Cisco and the Cisco Logo are trademarks of Cisco Systems, Inc. and/or its affiliates in the U.S. and other countries. A listing of Cisco's trademarks can be found at [www.cisco.com/go/trademarks](http://www.cisco.com/go/trademarks). Third party trademarks mentioned are the property of their respective owners. The use of the word partner does not imply a partnership relationship between Cisco and any other company. (1005R)

