



## **Cisco Nexus 9504 NX-OS Mode Switch Hardware Installation Guide**

**First Published:** 2014-03-24

**Last Modified:** 2024-04-16

### **Americas Headquarters**

Cisco Systems, Inc.  
170 West Tasman Drive  
San Jose, CA 95134-1706  
USA  
<http://www.cisco.com>  
Tel: 408 526-4000  
800 553-NETS (6387)  
Fax: 408 527-0883

THE SPECIFICATIONS AND INFORMATION REGARDING THE PRODUCTS REFERENCED IN THIS DOCUMENTATION ARE SUBJECT TO CHANGE WITHOUT NOTICE. EXCEPT AS MAY OTHERWISE BE AGREED BY CISCO IN WRITING, ALL STATEMENTS, INFORMATION, AND RECOMMENDATIONS IN THIS DOCUMENTATION ARE PRESENTED WITHOUT WARRANTY OF ANY KIND, EXPRESS OR IMPLIED.

The Cisco End User License Agreement and any supplemental license terms govern your use of any Cisco software, including this product documentation, and are located at: <http://www.cisco.com/go/softwareterms>. Cisco product warranty information is available at <http://www.cisco.com/go/warranty>. US Federal Communications Commission Notices are found here <http://www.cisco.com/c/en/us/products/us-fcc-notice.html>.

IN NO EVENT SHALL CISCO OR ITS SUPPLIERS BE LIABLE FOR ANY INDIRECT, SPECIAL, CONSEQUENTIAL, OR INCIDENTAL DAMAGES, INCLUDING, WITHOUT LIMITATION, LOST PROFITS OR LOSS OR DAMAGE TO DATA ARISING OUT OF THE USE OR INABILITY TO USE THIS MANUAL, EVEN IF CISCO OR ITS SUPPLIERS HAVE BEEN ADVISED OF THE POSSIBILITY OF SUCH DAMAGES.

Any products and features described herein as in development or available at a future date remain in varying stages of development and will be offered on a when-and if-available basis. Any such product or feature roadmaps are subject to change at the sole discretion of Cisco and Cisco will have no liability for delay in the delivery or failure to deliver any products or feature roadmap items that may be set forth in this document.

Any Internet Protocol (IP) addresses and phone numbers used in this document are not intended to be actual addresses and phone numbers. Any examples, command display output, network topology diagrams, and other figures included in the document are shown for illustrative purposes only. Any use of actual IP addresses or phone numbers in illustrative content is unintentional and coincidental.

The documentation set for this product strives to use bias-free language. For the purposes of this documentation set, bias-free is defined as language that does not imply discrimination based on age, disability, gender, racial identity, ethnic identity, sexual orientation, socioeconomic status, and intersectionality. Exceptions may be present in the documentation due to language that is hardcoded in the user interfaces of the product software, language used based on RFP documentation, or language that is used by a referenced third-party product.

Cisco and the Cisco logo are trademarks or registered trademarks of Cisco and/or its affiliates in the U.S. and other countries. To view a list of Cisco trademarks, go to this URL: [www.cisco.com go trademarks](http://www.cisco.com/go/trademarks). Third-party trademarks mentioned are the property of their respective owners. The use of the word partner does not imply a partnership relationship between Cisco and any other company. (1721R)

© 2014–2024 Cisco Systems, Inc. All rights reserved.



## CONTENTS

### Trademarks ?

---

#### PREFACE

#### **Preface** vii

Audience vii

Documentation Conventions vii

Related Documentation for Cisco Nexus 9000 Series NX-OS Software viii

Documentation Feedback x

Obtaining Documentation and Submitting a Service Request x

---

#### CHAPTER 1

#### **Overview** 1

Overview 1

---

#### CHAPTER 2

#### **Preparing the Site** 7

Temperature Requirements 7

Humidity Requirements 7

Altitude Requirements 7

Dust and Particulate Requirements 8

Minimizing Electromagnetic and Radio Frequency Interference 8

Shock and Vibration Requirements 9

Grounding Requirements 9

Planning for Power Requirements 9

Rack and Cabinet Requirements 15

Clearance Requirements 16

---

#### CHAPTER 3

#### **Installing a Chassis** 19

Installing a Rack or Cabinet 19

Inspecting the New Switch	20
Installing the Bottom-Support Rails	21
Installing a Chassis in a Rack or Cabinet	24
Grounding the Chassis	27
Starting Up the Switch	28
Connecting a 3-kW AC Power Supply to an AC Power Source	29
Connecting a 3-kW Universal AC/DC Power Supply to an AC Power Source	30
Connecting a 3-kW Universal AC/DC Power Supply to a DC Power Source	30
Connecting a 3-kW DC Power Supply to a DC Power Source	31

---

**CHAPTER 4****Connecting the Switch to the Network 35**

Guidelines for Connecting Ports	35
Connecting a Console to the Switch	36
Connecting the Management Interface	37
Creating the Initial Switch Configuration	38
Connecting Interface Ports	40
Connecting a BASE-T Port to the Network	40
Disconnecting a BASE-T Port from the Network	40
Connecting an Optical Port to the Network	41
Disconnecting Optical Ports from the Network	41
Optic Transceiver Removal Using the Optics Extraction Tool	41
Maintaining Transceivers and Optical Cables	43

---

**CHAPTER 5****Managing the Switch 45**

Displaying Information About the Installed Hardware Modules	45
Displaying the Hardware Inventory for a Switch	49
Displaying Fabric Utilization Information	49
Displaying the Backplane and Serial Number Information	52
Displaying Environmental Information for the Switch	53
Displaying the Current State of a Module	54
Displaying Temperatures for a Module	56
Connecting to a Module	58
Saving the Module Configuration	58
Shutting Down or Starting Up a Module	59

Purging a Nonfunctioning Module from the Running Configuration	60
Displaying Power Usage Information	60
Reload a Module	61
Rebooting a Switch	62
Overview of Supervisor Modules	63
Overview of Power Modes	64
Setting the Power Mode	67
Overview of Fan Trays	68
Displaying the Status for the Fan Trays	69

**CHAPTER 6****Replacing or Installing Modules, Fan Trays, and Power Supplies 71**

Preventing Electrostatic Damage	71
Installing or Replacing a Supervisor Module	71
Upgrading a Supervisor Module	75
Installing or Replacing a System Controller Module	75
Installing or Replacing a Line Card	78
Installing and Removing a Blank Line Card	81
Replacing a Fan Tray	83
Removing a Fan Tray	83
Installing a Fan Tray	84
Replacing a Fabric Module	85
Removing a Fabric Module	86
Installing a Fabric Module	89
Installing or Replacing Power Supplies	91
Installing or Replacing a 3-kW AC Power Supply	92
Installing or Replacing a 3-kW Universal AC/DC Power Supply	95
Installing or Replacing a 3.15-kW Dual Input Universal AC/DC Power Supply	98
Installing or Replacing a 3-kW DC Power Supply	100
Migrating the Switch from Using 40-Gigabit Line Cards to Using 100-Gigabit -EX/-FX Line Cards	104
Migrating the Switch to 400-Gigabit -GX Line Cards	105

**APPENDIX A****System Specifications 109**

Environmental Specifications	109
Switch Dimensions	109

Weights and Quantities for the Chassis, Modules, Fan Trays, and Power Supplies 110

Power Specifications 112

- Power Requirements for Switch Modules 113
- Maximum Power Available to the Switch 113
- Power Supply Specifications 113
  - 3000-W AC Power Supply Specifications 113
  - 3000-W Universal AC/DC Power Supply Specifications 114
  - 3000-W Dual Input Universal AC/DC Power Supply Specifications 114
  - 3000-W DC Power Supply Specifications 114
- Power Cable Specifications 115
  - 3-kW AC Power Cable Specifications 115
  - 3-kW Universal AC/DC and 3-kW Dual Input Universal AC/DC Power Cable Specifications 118
  - 3-kW DC Power Supply Power Cord Specifications 122

---

**APPENDIX B**      **LEDs** 123

- Chassis LEDs 123
- System Controller LEDs 124
- Supervisor Module LEDs 124
- Fan Tray LEDs 125
- Fabric Module LEDs 126
- Line Card LEDs 126
- Power Supply LEDs 127

---

**APPENDIX C**      **Additional Kits** 129

- Accessory Kit 129



## Preface

- [Audience, on page vii](#)
- [Documentation Conventions, on page vii](#)
- [Related Documentation for Cisco Nexus 9000 Series NX-OS Software, on page viii](#)
- [Documentation Feedback, on page x](#)
- [Obtaining Documentation and Submitting a Service Request , on page x](#)

## Audience

This publication is for hardware installers and network administrators who install, configure, and maintain Cisco Nexus switches.

## Documentation Conventions

Command descriptions use the following conventions:

Convention	Description
<b>bold</b>	Bold text indicates the commands and keywords that you enter literally as shown.
<i>Italic</i>	Italic text indicates arguments for which the user supplies the values.
[x]	Square brackets enclose an optional element (keyword or argument).
[x   y]	Square brackets enclosing keywords or arguments separated by a vertical bar indicate an optional choice.
{x   y}	Braces enclosing keywords or arguments separated by a vertical bar indicate a required choice.
[x {y   z}]	Nested set of square brackets or braces indicate optional or required choices within optional or required elements. Braces and a vertical bar within square brackets indicate a required choice within an optional element.
variable	Indicates a variable for which you supply values, in context where italics cannot be used.

Convention	Description
string	A nonquoted set of characters. Do not use quotation marks around the string or the string will include the quotation marks.

Examples use the following conventions:

Convention	Description
screen font	Terminal sessions and information the switch displays are in screen font.
<b>boldface screen font</b>	Information you must enter is in boldface screen font.
<i>italic screen font</i>	Arguments for which you supply values are in italic screen font.
<>	Nonprinting characters, such as passwords, are in angle brackets.
[ ]	Default responses to system prompts are in square brackets.
!, #	An exclamation point (!) or a pound sign (#) at the beginning of a line of code indicates a comment line.

## Related Documentation for Cisco Nexus 9000 Series NX-OS Software

The entire Cisco NX-OS 9000 Series documentation set is available at the following URL:

[https://www.cisco.com/en/US/products/ps13386/tsd\\_products\\_support\\_series\\_home.html](https://www.cisco.com/en/US/products/ps13386/tsd_products_support_series_home.html)

### Release Notes

The release notes are available at the following URL:

[https://www.cisco.com/en/US/products/ps13386/prod\\_release\\_notes\\_list.html](https://www.cisco.com/en/US/products/ps13386/prod_release_notes_list.html)

### Configuration Guides

These guides are available at the following URL:

[https://www.cisco.com/en/US/products/ps13386/products\\_installation\\_and\\_configuration\\_guides\\_list.html](https://www.cisco.com/en/US/products/ps13386/products_installation_and_configuration_guides_list.html)

The documents in this category include:

- *Cisco Nexus 2000 Series NX-OS Fabric Extender Software Configuration Guide for Cisco Nexus 9000 Series Switches*
- *Cisco Nexus 9000 Series NX-OS Fundamentals Configuration Guide*
- *Cisco Nexus 9000 Series NX-OS High Availability and Redundancy Guide*
- *Cisco Nexus 9000 Series NX-OS Interfaces Configuration Guide*
- *Cisco Nexus 9000 Series NX-OS Layer 2 Switching Configuration Guide*
- *Cisco Nexus 9000 Series NX-OS Multicast Routing Configuration Guide*



- *Cisco Nexus 9000 Series NX-OS Quality of Service Configuration Guide*
- *Cisco Nexus 9000 Series NX-OS Security Configuration Guide*
- *Cisco Nexus 9000 Series NX-OS System Management Configuration Guide*
- *Cisco Nexus 9000 Series NX-OS Unicast Routing Configuration Guide*
- *Cisco Nexus 9000 Series NX-OS Verified Scalability Guide*
- *Cisco Nexus 9000 Series NX-OS VXLAN Configuration Guide*

### **Other Software Documents**

- *Cisco Nexus 7000 Series and 9000 Series NX-OS MIB Quick Reference*
- *Cisco Nexus 9000 Series NX-OS Programmability Guide*
- *Cisco Nexus 9000 Series NX-OS Software Upgrade and Downgrade Guide*
- *Cisco Nexus 9000 Series NX-OS System Messages Reference*
- *Cisco Nexus 9000 Series NX-OS Troubleshooting Guide*
- *Cisco NX-OS Licensing Guide*
- *Cisco NX-OS XML Interface User Guide*

### **Hardware Documents**

- *Cisco Nexus 3000 Series Hardware Installation Guide*
- *Cisco Nexus 92160YC-X NX-OS Mode Switch Hardware Installation Guide*
- *Cisco Nexus 92300YC NX-OS Mode Switch Hardware Installation Guide*
- *Cisco Nexus 92304QC NX-OS Mode Switch Hardware Installation Guide*
- *Cisco Nexus 9236C NX-OS Mode Switch Hardware Installation Guide*
- *Cisco Nexus 9272Q NX-OS Mode Switch Hardware Installation Guide*
- *Cisco Nexus 93108TC-EX NX-OS Mode Switch Hardware Installation Guide*
- *Cisco Nexus 93120TX NX-OS Mode Switch Hardware Installation Guide*
- *Cisco Nexus 93128TX NX-OS Mode Switch Hardware Installation Guide*
- *Cisco Nexus 93180LC-EX NX-OS Mode Switch Hardware Installation Guide*
- *Cisco Nexus 93180YC-EX NX-OS Mode Switch Hardware Installation Guide*
- *Cisco Nexus 9332PQ NX-OS-Mode Switch Hardware Installation Guide*
- *Cisco Nexus 9372PX and 9372PX-E NX-OS Mode Switches Hardware Installation Guide*
- *Cisco Nexus 9372TX and 9372TX-E NX-OS Mode Switches Hardware Installation Guide*
- *Cisco Nexus 9396PX NX-OS Mode Switch Hardware Installation Guide*

- *Cisco Nexus 9396TX NX-OS Mode Switch Hardware Installation Guide*
- *Cisco Nexus 9504 NX-OS Mode Switch Hardware Installation Guide*
- *Cisco Nexus 9508 NX-OS Mode Switch Hardware Installation Guide*
- *Cisco Nexus 9516 NX-OS Mode Switch Hardware Installation Guide*
- *Regulatory, Compliance, and Safety Information for the Cisco Nexus 3000 and 9000 Series*

## Documentation Feedback

To provide technical feedback on this document, or to report an error or omission, please send your comments to [nexus9k-docfeedback@cisco.com](mailto:nexus9k-docfeedback@cisco.com). We appreciate your feedback.

## Obtaining Documentation and Submitting a Service Request

For information on obtaining documentation, using the Cisco Bug Search Tool (BST), submitting a service request, and gathering additional information, see *What's New in Cisco Product Documentation*, at: <https://www.cisco.com/warp/public/687/Directory/DirTAC.shtml>.

Subscribe to *What's New in Cisco Product Documentation*, which lists all new and revised Cisco technical documentation as an RSS feed and delivers content directly to your desktop using a reader application. The RSS feeds are a free service.



# CHAPTER 1

## Overview

---

- [Overview, on page 1](#)

## Overview

This switch chassis includes the following modules:

- Supervisor modules (one or two)—one of the following types in slots SUP 1 and SUP 2 (Modules 27 and 28 in reports) (numbered from left to right on the chassis)
- System controllers (two) (N9K-SC-A) in slots SC 1 and SC 2 (numbered from left to right on the chassis)
- Line cards (up to four) in slots LC 1 to LC 4 (numbered from top to bottom on the chassis) supported by the same type of fabric module

For compatibility information, please refer to the [Line Card and Fabric Module Compatibility](#) data sheets.



---

**Note** Do not mix ACI-mode line cards with NX-OS mode line cards in the same switch.

---

- Fabric modules in slots FM 1 to FM 6 (numbered from left to right on the chassis)

See the following table for the required fabric module types and quantities required for maximum bandwidth.

Table 1: Supported Fabric Modules and Line Cards

Fabric Module	Fabric Modules Required for Maximum Bandwidth	Supported Line Cards
N9K-C9504-FM	3	N9K-X9536PQ N9K-X9564PX N9K-X9564TX
	4	N9K-X9408PC-CFP2 N9K-X9432PQ N9K-X9464PX N9K-X9464TX N9K-X9464TX2
	6	N9K-X9636PQ
N9K-C9504-FM-E	4	N9K-X97160YC-EX
	4	N9K-X9732C-EX
	4	N9K-X9732C-FX
	4	N9K-X9736C-EX
	5	N9K-X9736C-FX
	5	N9K-X9736Q-FX
4	N9K-X9788TC-FX	
N9K-C9504-FM-S	4	N9K-X9432C-S
N9K-C9504-FM-R	6	N9K-X9636C-RX N9K-X9636C-R N9K-X9636Q-R N9K-X96136YC-R
N9K-C9504-FM-G <sup>1</sup>	4	N9K-X9732C-EX
	4	N9K-X9736C-EX
	4	N9K-X97160YC-EX
	4	N9K-X9732C-FX
	5	N9K-X9736C-FX
	4	N9K-X9788TC-FX
	4	N9K-X9716D-GX

<sup>1</sup> Note that -G fabric modules require the N9K-C9504-FAN2 fan trays for operation.



**Note** The fabric modules must be installed in specific slots as follows (installing fabric modules in other slots can cause a module mismatch condition):

- For three modules, they must be in slots FM 2, FM 4, and FM 6
- For four modules, they must be in slots FM2, FM 3, FM 4, and FM 6
- For five modules, they can be in slots FM 1, FM 2, FM 3, FM 4, and FM 6. Alternatively, they can be in Slots FM 2, FM 3, FM 4, FM 5, and FM 6.
- For five FM-E or FM-E2 modules, they must be in Slots FM 2, FM 3, FM 4, FM 5, and FM 6
- For six modules, they are in slots FM 1, FM 2, FM 3, FM 4, FM 5, and FM 6



**Note** All of the fabric modules in a modular switch must be of the same type.



**Note** When using FM-G fabric modules, any empty slots should be filled with FAN-PWR modules (N9K-C9504-FAN-PWR)



**Note** When using N9K-C9504-FM or N9K-C9504-FM-E fabric modules, any empty slots should be filled with N9K-C9504-FM-CV.



**Note** For more information about Line card and fabric module compatibility, see the [Cisco Nexus 9500 Platform Line Cards and Fabric Modules Data Sheet](#)

- Fan trays (three) (N9K-C9504-FAN) or (N9k-9504-FAN2) in slots FAN 1 to FAN 3 (numbered from left to right on the chassis)
- Power supplies (up to two with the combined power mode, up to three with  $n+1$  power redundancy mode, or up to four with the  $n+n$  power redundancy mode) in slots PS 1 to PS 4 (numbered from left to right on the chassis)
  - Cisco Nexus 9500 Series 3-kW AC power supply (N9K-PAC-3000W-B)
  - Cisco Nexus 9500 Series 3-kW Universal AC/DC power supply (N9K-PUV-3000W-B)
  - Cisco Nexus 9500 Series 3.15-kW Dual Input Universal AC/DC power supply (N9K-PUV2-3000W-B)

- Cisco Nexus 9500 Series 3-kW (-48 V) DC power supply (N9K-PDC-3000W-B)

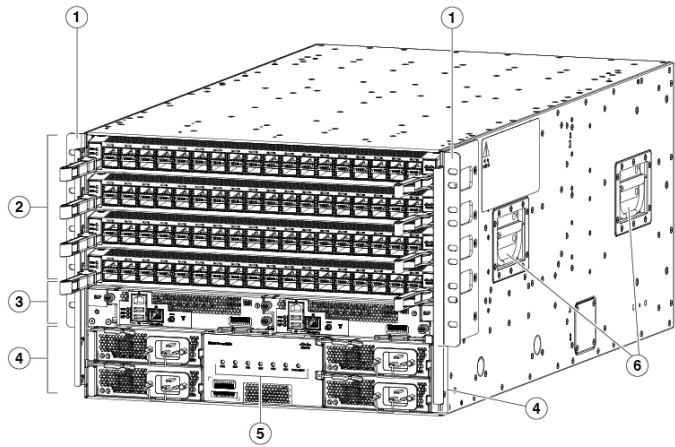


**Note** The switch can be powered by a mix of AC, DC, HVAC/HVDC power sources.



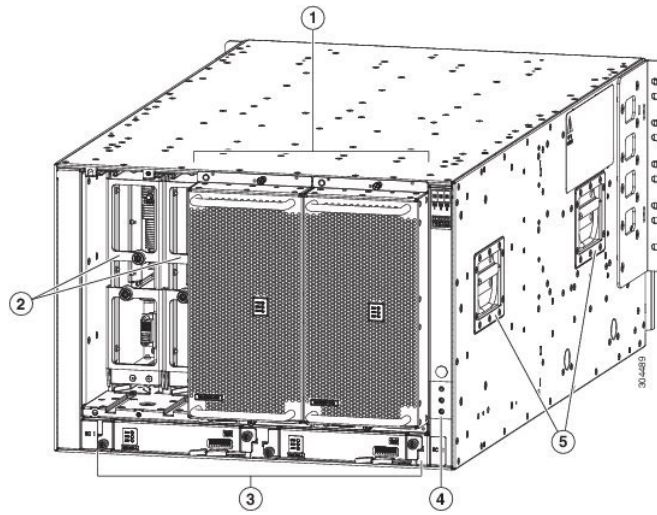
**Note** All chassis slots are numbered from left to right or from top to bottom.

The following figure shows the hardware features seen from the front of the chassis.



1	2 vertical mounting brackets used to mount the chassis onto a rack	4	3-kW AC, Universal AC/DC, or DC power supplies (AC power supplies shown).
2	Line cards (up to 4)	5	Chassis LEDs
3	Supervisor modules (1 or 2)	6	Chassis handles (used only for positioning the chassis on the bottom support rails—do not use these handles for lifting the chassis)

The following figure shows the hardware features seen from the rear of the chassis (one fan tray has been removed to show the fabric modules behind the fan trays).



1	Fan trays (3—left fan tray not shown in order to display the fabric modules located behind the fan trays)	4	Grounding pad
2	Fabric modules (up to 6 with up to 2 fabric modules behind each fan tray)	5	Chassis handles (used only for positioning the chassis on the bottom support rails—do not use these handles for lifting the filled chassis)
3	System controllers (2)		







## CHAPTER 2

# Preparing the Site

---

- [Temperature Requirements, on page 7](#)
- [Humidity Requirements, on page 7](#)
- [Altitude Requirements, on page 7](#)
- [Dust and Particulate Requirements, on page 8](#)
- [Minimizing Electromagnetic and Radio Frequency Interference, on page 8](#)
- [Shock and Vibration Requirements, on page 9](#)
- [Grounding Requirements, on page 9](#)
- [Planning for Power Requirements, on page 9](#)
- [Rack and Cabinet Requirements, on page 15](#)
- [Clearance Requirements, on page 16](#)

## Temperature Requirements

The switch requires an operating temperature of 32 to 104 degrees Fahrenheit (0 to 40 degrees Celsius). If the switch is not operating, the temperature must be between –40 to 158 degrees Fahrenheit (–40 to 70 degrees Celsius).

## Humidity Requirements

Buildings in which the climate is controlled by air-conditioning in the warmer months and by heat during the colder months usually maintain an acceptable level of humidity for the switch equipment. However, if the switch is located in an unusually humid location, use a dehumidifier to maintain the humidity within an acceptable range.

## Altitude Requirements

Altitude rating is 10,000 ft (3048 m). For China, it is 6,562 ft (2000 m).

## Dust and Particulate Requirements

Exhaust fans cool power supplies and system fans cool switches by drawing in air and exhausting air out through various openings in the chassis. However, fans also ingest dust and other particles, causing contaminant buildup in the switch and increased internal chassis temperature. Dust and particles can act as insulators and interfere with the mechanical components in the switch. A clean operating environment can greatly reduce the negative effects of dust and other particles.

In addition to keeping your environment free of dust and particles, follow these precautions to avoid contamination of your switch:

- Do not permit smoking near the switch.
- Do not permit food or drink near the switch.

## Minimizing Electromagnetic and Radio Frequency Interference

Electromagnetic interference (EMI) and radio frequency interference (RFI) from the switch can adversely affect other devices, such as radio and television (TV) receivers. Radio frequencies that emanate from the switch can also interfere with cordless and low-power telephones. Conversely, RFI from high-power telephones can cause spurious characters to appear on the switch monitor.

RFI is defined as any EMI with a frequency above 10 kHz. This type of interference can travel from the switch to other devices through the power cable and power source or through the air as transmitted radio waves. The Federal Communications Commission (FCC) publishes specific regulations to limit the amount of EMI and RFI that are emitted by computing equipment. Each switch meets these FCC regulations.

To reduce the possibility of EMI and RFI, follow these guidelines:

- Cover all open expansion slots with a blank filler plate.
- Always use shielded cables with metal connector shells for attaching peripherals to the switch.

When wires are run for any significant distance in an electromagnetic field, interference can occur to the signals on the wires with the following implications:

- Bad wiring can result in radio interference emanating from the plant wiring.
- Strong EMI, especially when it is caused by lightning or radio transmitters, can destroy the signal drivers and receivers in the chassis and even create an electrical hazard by conducting power surges through lines into equipment.



---

**Note** To predict and prevent strong EMI, you need to consult experts in radio frequency interference (RFI).

---

The wiring is unlikely to emit radio interference if you use a twisted-pair cable with a good distribution of grounding conductors. If you exceed the recommended distances, use a high-quality twisted-pair cable with one ground conductor for each data signal when applicable.

**Caution**

If the wires exceed the recommended distances, or if wires pass between buildings, give special consideration to the effect of a lightning strike in your vicinity. The electromagnetic pulse that is caused by lightning or other high-energy phenomena can easily couple enough energy into unshielded conductors to destroy electronic switches. You will want to consult experts in electrical surge suppression and shielding if you had similar problems in the past.

## Shock and Vibration Requirements

The switch has been shock- and vibration-tested for operating ranges, handling, and earthquake standards.

## Grounding Requirements

The switch is sensitive to variations in voltage that is supplied by the power sources. Overvoltage, undervoltage, and transients (or spikes) can erase data from memory or cause components to fail. To protect against these types of problems, ensure that there is an earth-ground connection for the switch. You can connect the grounding pad on the switch either directly to the earth-ground connection or to a fully bonded and grounded rack.

When chassis is properly installed in a grounded rack, the switch is grounded because it has a metal-to-metal (no paint, stain, dirt, or anything else on it) connection to the rack. Alternatively, you can ground the chassis by using a customer-supplied grounding cable that meets your local and national installation requirements. For U.S. installations, we recommend 6-AWG wire. Connect your grounding cable to the chassis with a grounding lug (provided in the switch accessory kit) and to the facility ground.

**Note**

You automatically ground AC power supplies when you connect them to AC power sources. For DC power supplies, you must connect a grounding wire when wiring the power supply to the DC power source.

**Note**

An electrical conducting path shall exist between the product chassis and the metal surface of the enclosure or rack in which it is mounted or to a grounding conductor. Electrical continuity shall be provided by using thread-forming type mounting screws that remove any paint or non-conductive coatings and establish a metal-to-metal contact. Any paint or other non-conductive coatings shall be removed on the surfaces between the mounting hardware and the enclosure or rack. The surfaces shall be cleaned and an antioxidant applied before installation.

## Planning for Power Requirements

To plan for the power requirements of a switch, you must determine each of the following:

- Power requirements for all the switch components
- Minimum number of power supplies required to power the components that are installed in the switch.

- Power mode to use and the number of extra power supplies required for that mode.

Ensure that the circuit that is used for the switch is dedicated to the switch to minimize the possibility of circuit failure.

Calculate the power that is required for operations (available power) and redundancy (reserve power), then you can plan for the required number of input power receptacles. The power receptacles will be within reach of the switch location.

**Step 1** Determine the power requirement for the modules in the switch by summing the maximum wattage for each installed module, see the following table.

Component	Typical	Maximum
<b>Supervisor modules</b>	—	—
– Supervisor A (N9K-SUP-A)	69 W	90 W
– Supervisor A+ (N9K-SUP-A+)	69 W	90 W
– Supervisor B (N9K-SUP-B) (required for -R line cards)	75 W	90 W
– Supervisor B+ (N9K-SUP-B+) (required for -R line cards)	75 W	90 W
<b>System Controller Modules</b>	—	—
– System Controller (N9K-SC-A)	14 W	25 W
<b>Line cards that are supported by N9K-C9504-FM fabric modules</b>	95 W	131 W
– 8-port 100-Gigabit Ethernet CFP2 line card (N9K-X9408PC-CFP2)	310 W	432 W
– 32-port 40-Gigabit Ethernet QSFP+ line card (N9K-X9432PQ)	240 W	300 W
– 36-port 40-Gigabit Ethernet QSFP+ line card (N9K-X9536PQ)	360 W	400 W
– 36-port 40-Gigabit Ethernet QSFP+ line card (N9K-X9636PQ)	260 W	400 W
– 48-port 1/10-Gigabit Ethernet SFP+ and 4-port 40-Gigabit Ethernet QSFP+ line card (N9K-X9464PX)	160W	240 W
– 48-port 1/10GBASE-T and 4-port 40-Gigabit Ethernet QSFP+ line card (N9K-X9464TX)	300 W	360 W
– 48-port 1/10GBASE-T and 4-port 40-Gigabit Ethernet QSFP+ line card (N9K-X9464TX2)	288W	360 W
– 48-port 1/10-Gigabit Ethernet SFP+ and 4-port 40-Gigabit Ethernet QSFP+ line card (N9K-X9564PX)	300 W	400 W
– 48-port 1/10GBASE-T and 4-port 40-Gigabit Ethernet QSFP+ line card (N9K-X9564TX)	450 W	540 W
<b>Line cards that are supported by N9K-C9504-FM-E and N9K-C9504-FM-E2 fabric modules</b>	234 W	313
– 48-port 1/10/25-Gigabit Ethernet SFP28 and 4-port 40/100-Gigabit Ethernet QSFP28 line card (N9K-X97160YC-EX)	415 W	516 W

Component	Typical	Maximum
– 48-port 10-Gigabit Ethernet SFP+ and 4-port 100-Gigabit Ethernet QSFP28 line card (N9K-X9788TC-FX)	346 W	684 W
– 36-port 100-Gigabit Ethernet QSFP28 line card (N9K-X9736C-EX)	632 W	792 W
– 36-port 100-Gigabit Ethernet QSFP28 line card (N9K-X9736C-FX)	607 W	900 W
– 36-port 40-Gigabit Ethernet QSFP28 line card (N9K-X9736Q-FX)	571 W	684 W
– 32-port 100-Gigabit Ethernet QSFP28 line card (N9K-X9732C-EX)	430 W	720 W
– 32-port 100-Gigabit Ethernet QSFP28 line card (N9K-X9732C-FX)	520 W	840 W
<b>Line cards that are supported by N9K-C9504-FM-G fabric modules</b>	270 W	504 W
– 36-port 100-Gigabit Ethernet QSFP28 line card (N9K-X9736C-FX)	607 W	900 W
– 48-port 1/10/25-Gigabit Ethernet SFP28 and 4-port 40/100-Gigabit Ethernet QSFP28 line card (N9K-X97160YC-EX)	415 W	516 W
– 48-port 1/100 BASE-T and 4-port 100-Gigabit Ethernet QSFP28 line card (N9K-X9788TC-FX)	346 W	684 W
– 16-port 400-Gigabit Ethernet QSFP-DD line card (N9K-X9716D-GX)	650 W	1680 W
<b>Line cards that are supported by N9K-C9504-FM-S fabric modules</b>	171 W	251 W
– 32-port 100-Gigabit Ethernet QSFP28 line card (N9K-X9432C-S)	440 W	504 W
<b>Line cards that are supported by N9K-C9504-FM-R fabric modules</b>	140 W	130 W
– 36-port 100-Gigabit Ethernet QSFP28 line card (N9K-X9636C-R)	650 W	902 W
– 36-port 40-Gigabit Ethernet QSFP28 line card (N9K-X9636Q-R)	329 W	456 W
– 16-port 1/10-Gigabit SFP, 32-port 10/25-Gigabit Ethernet SFP, and 4-port 40/100-Gigabit Ethernet QSFP line card (N9K-X96136YC-R)	213 W	300 W
– 36-port 100-Gigabit Ethernet QSFP28 line card (N9K-X9636C-RX) with TCAM	800 W	1100 W
<b>Fan Trays</b>	—	—
– (N9K-C9504-FAN)	95W	129 W
– (N9K-C9504-FAN2)	105 W	600 W

For example, to determine the maximum amount of power that your fully loaded switch consumes, add the maximum power consumption of two supervisor B modules (2 x 90 W = 180 W), two system controllers (2 x 26 W = 52 W), four 48-port 100-Gigabit line cards (4 x 1050 W = 4200 W), six fabric modules (6 x 504 W = 3024 W), and three fan trays (3 x 600 W = 1800 W). The total is 9,256 W.

**Step 2** Determine the number of power supplies required to power the modules that are installed in the switch by dividing the module power requirement amount (see Step 1) by the output wattage (3000 W) of the power supplies installed in the switch. Round up the fractional result to the nearest ones digit.

For example, if you are installing a switch with maximum consumption of 3567 W, you need two power supplies ( $3567 \text{ W} / 3000 \text{ W} = 1.18$  [rounded up to two power supplies]) to operate the switch and its modules.

**Step 3** Determine the amount of power that is required from a power source.

The power supplies are rated to have at least 91-percent efficiency.

- To determine the input power (Watts) from the power source to the power supplies, divide the output power of each power supply (3000 W) by the efficiency of the power supply (0.91) and then multiply the result by the number of power supplies required to power the switch. For example, if the switch uses 2 power supplies, you can calculate the amount of power that is required from the power source as follows:

$$3000 \text{ W output} / 0.91 \text{ efficiency} \times 2 \text{ power supplies} = 6593 \text{ W}$$

- To determine the number of Amps (A) that are required to power the switch, divide the maximum Watts that is required for by the voltage that is used as shown in the following examples:

- For 6593 A at 200-volts AC (VAC), use the following formula:

$$(6593 \text{ W}) / (200 \text{ VAC}) = 16.5 \text{ A}$$

- For 6593 A at 277-volts AC (VAC), use the following formula:

$$(6593 \text{ W}) / (277 \text{ VAC}) = 11.9 \text{ A}$$

- For 6593 A at 380-volts DC (VDC), use the following formula:

$$(6593 \text{ W}) / (380 \text{ VDC}) = 8.7 \text{ A}$$

- To determine the required BTUs, multiply the Watts that is required for the power source by 3.41214163.

For example, for 6593 W, use the following formula:

$$(6593 \text{ W}) \times (3.41214163 \text{ BTU}) = 11,248$$

To size the circuit breaker for the required amperage, you must also divide the required amperage by the percentage. For example, if the switch requires an input amperage of 16.5 A and you are able to use up to 80 percent of the capacity of a circuit breaker, you use the following formula to calculate the minimum amperage that is required of the circuit breaker:

$$(16.5 \text{ A}) / (80\% \text{ or } 0.80) = 20.6 \text{ amps}$$

**Step 4** Select one of the following power modes to determine the number of additional power supplies required for reserve power:

Configured Power Redundancy Mode	Power Supply	Instructions and Guidelines	Input Source or Grid Redundancy	$n+n$ Power Supply Redundancy	$n+1$ Power Supply Redundancy
$n+1$ redundancy	N9K-PUV2-3000W-B	<p><b>Instructions:</b></p> <p>Add at least 1 more power supply to the number of power supplies determined in step 2.</p> <p>Connect one input to one power source (A) and the other input to another power source (B).</p> <p><b>Guidelines:</b></p> <p>Recommended if the number of power supplies from step 2 is 3 or higher.</p>	Yes	No	Yes
combined	N9K-PUV2-3000W-B	<p><b>Instructions:</b></p> <p>Install the number of power supplies as determined in step 2.</p> <p>Connect one input to one power source (A) and the other input to another power source (B).</p> <p><b>Guidelines:</b></p> <p>Recommended if the number of power supplies from step 2 is 3 or higher.</p>	Yes	No	No
$n+n$ redundancy	N9K-PAC-3000W-B N9K-PDC-3000W-B N9K-PUV-3000W-B N9K-PUV2-3000W-B	<p><b>Instructions:</b></p> <p>Add twice the number of power supplies as determined in step 2.</p> <p>Connect one half of the power supplies to one power source (A) and connect another half of the power supplies to another power source (B).</p> <p><b>Guidelines:</b></p> <p>Recommended if the number of power supplies from step 2 is 2 or less.</p>	Yes	Yes	Yes
$n+n$ redundancy	N9K-PAC-3000W-B N9K-PDC-3000W-B N9K-PUV-3000W-B N9K-PUV2-3000W-B	<p><b>Instructions:</b></p> <p>Add twice the number of power supplies as determined in step 2.</p> <p><b>Guidelines:</b></p> <p>Recommended if the number of power supplies from step 2 is 2 or less.</p>	No	Yes	Yes
$n+1$ redundancy	N9K-PAC-3000W-B N9K-PDC-3000W-B N9K-PUV-3000W-B N9K-PUV2-3000W-B	<p><b>Instructions:</b></p> <p>Add at least 1 more power supply to the number of power supplies determined in step 2.</p> <p><b>Guidelines:</b></p> <p>Recommended if the number of power supplies from step 2 is 1 or higher.</p>	No	No	Yes

Configured Power Redundancy Mode	Power Supply	Instructions and Guidelines	Input Source or Grid Redundancy	n+n Power Supply Redundancy	n+1 Power Supply Redundancy
combined	N9K-PAC-3000W-B	<p><b>Instructions:</b></p> <p>Install the number of power supplies as determined in step 2.</p>	No	No	No
	N9K-PDC-3000W-B				
	N9K-PUV-3000W-B	<p><b>Guidelines:</b></p> <p>Recommended if the number of power supplies from step 2 is 1 or higher.</p>			
	N9K-PUV2-3000W-B				

**Step 5** Be sure that the power source circuits are dedicated to the switch and not to other electrical equipment.

For combined mode or *n+1* redundancy mode, you need only one dedicated circuit. For *n+n* redundancy, you must have two dedicated power circuits, with each circuit powering half of the 3-kW power supplies. The requirements for each circuit are listed in the following table.

Power Supply	Number of Circuits	Requirement for Each Circuit
3-kW AC power supply (N9K-PAC-3000W-B)	1 (combined mode or <i>n+1</i> redundancy mode) 2 ( <i>n+n</i> redundancy mode)	16 A at 200 to 240 VAC
3-kW Universal AC/DC power supply (N9K-PUV-3000W-B and N9K-PUV2-3000W-B)	1 (combined mode or <i>n+1</i> redundancy mode) 2 ( <i>n+n</i> redundancy mode)	AC power: 200 to 277 VAC DC power: 240 to 380 VDC
3-kW DC power supply (N9K-PDC-3000W-B)	1 (combined mode or <i>n+1</i> redundancy mode) 2 ( <i>n+n</i> redundancy mode)	45A at -40 to -75 VDC (-48 VDC nominal US) (-60 VDC nominal international)

**Step 6** Plan the placement of the input power receptacles within reach of the power cables that are used for each power supply, see the following table for the maximum distances.

Typically, power receptacles are placed on the rack with the switch.

Power Supply	Maximum Distance Between Receptacle and Power Supply
3-kW AC power supplies	8 to 12 feet (2.5 to 3.5 m)
3-kW Universal AC/DC power supplies	14 feet (4.27 m)
3-kW DC power supplies	You provide four 6-gauge wires (recommended) and cuts that wire to the required length. We provide four 6-gauge lugs to connect those wires to the DC power supply.



**Note** The switch can be powered by a mix of AC, DC, HVAC/HVDC power sources.

---

## Rack and Cabinet Requirements

You can install the following types of racks or cabinets for your switch:

- Standard perforated cabinets
- Solid-walled cabinets with a roof fan tray (bottom-to-top cooling)
- Standard open four-post Telco racks

To install the switch in a cabinet that is located in a hot-aisle and cold-aisle environment, fit the cabinet with baffles to prevent exhaust air from recirculating into the chassis air intake.

Work with your cabinet vendors to determine which of their cabinets meet the following requirements or see the Cisco Technical Assistance Center (TAC) for recommendations:

- Use a standard 19-inch (48.3-cm), four-post Electronic Industries Alliance (EIA) cabinet or rack with mounting rails that conform to English universal hole spacing per section 1 of the ANSI/EIA-310-D-1992 standard.
- The height of the rack or cabinet must accommodate the 7.1-RU (12.4 inches or 31.6 cm) height of the switch and its bottom support bracket.
- The depth of a four-post rack must be 24 to 32 inches (61.0 to 81.3 cm) between the front and rear mounting rails (for proper mounting of the bottom-support brackets or other mounting hardware).
- Required clearances between the chassis and the edges of its rack or the interior of its cabinet are as follows:
  - 4.5 inches (11.4 cm) between the front of the chassis and the front of the rack or interior of the cabinet (required for cabling and module handles).
  - 3.0 inches (7.6 cm) between the rear of the chassis and the interior of the cabinet (required for airflow in the cabinet if used).
  - No clearance is required between the chassis and the sides of the rack or cabinet (no side airflow).

Also, you must consider the following site requirements for the rack:

- Power receptacles must be located within reach of the power cords that are used with the switch.
  - Power cords for the 3-kW AC power supplies are 8 to 12 feet (2.5 to 4.3 m) long.
  - Power cords for the 3-kW Universal AC power supplies are 14 feet (4.27 m) long.



---

**Note** The power cables for the 3-kW DC power supply are provided by and sized you.

---

- Clearance is required for cables that connect to as many as 192 ports (in addition to the cabling required for other devices in the same rack). These cables must not block access to any removable chassis modules or block airflow into or out of the chassis. Route the cables through the cable management frames on the left and right sides of the chassis.

Also, you must have power receptacles that are located within reach of the power cords that are used with the switch.

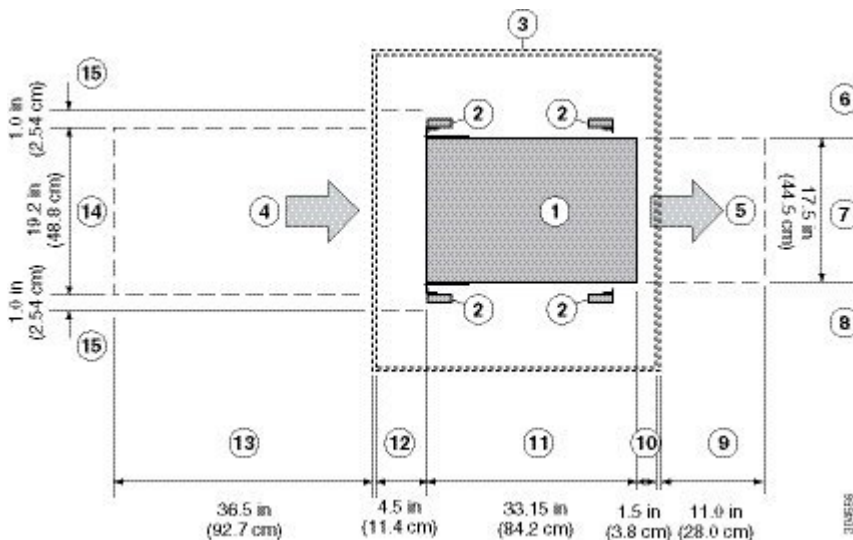


**Warning Statement 1048—Rack Stabilization**

The rack stabilizing mechanism must be in place, or the rack must be bolted to the floor before installation or servicing. Failure to stabilize the rack can cause bodily injury.

## Clearance Requirements

Provide the chassis with adequate clearance between the chassis and any other rack, device, or structure so that you can properly install the chassis. Provide the chassis with adequate clearance to route cables, provide airflow, and maintain the switch. For the clearances required for an installation of this chassis, see the following figure.



1	Chassis	9	Rear service clearance required to replace fan trays and fabric modules.
2	Vertical rack-mount posts and rails	10	Minimum clearance required for module handles (up to 6 inches [15.24 cm] recommended for optimal airflow) when using cabinet doors
3	Cabinet (optional)	11	Chassis depth
4	Air intake from the cold aisle for all modules and power supplies	12	Recommended clearance for cable management and ejector handles on line cards (6 inches [15.24 cm] recommended for optimal airflow) when using cabinet doors

5	Air exhaust to the hot aisle for all modules and power supplies	13	Clearance required for installing the chassis and replacing line cards
6	No left-side clearance required (no airflow on the left side).	14	Width of the chassis plus vertical mounting brackets on each side
7	Chassis width	15	Side clearance, that is required for older line card handle rotation (not required for the current line cards which have handles that rotate differently).
8	No right-side clearance required (no airflow on the right side).		





## CHAPTER 3

# Installing a Chassis

---

- [Installing a Rack or Cabinet, on page 19](#)
- [Inspecting the New Switch, on page 20](#)
- [Installing the Bottom-Support Rails, on page 21](#)
- [Installing a Chassis in a Rack or Cabinet, on page 24](#)
- [Grounding the Chassis, on page 27](#)
- [Starting Up the Switch, on page 28](#)

## Installing a Rack or Cabinet

Before you install the switch, you must install a standard four-post, 19-inch (48.3-cm) EIA data center rack (or a cabinet that contains such a rack) that meets the requirements that are listed in [Rack and Cabinet Requirements, on page 15](#).



---

**Warning** **Statement 1048**—Rack Stabilization

The rack stabilizing mechanism must be in place, or the rack must be bolted to the floor before installation or servicing. Failure to stabilize the rack can cause bodily injury.

---



---

**Warning** **Statement 1018**—Supply Circuit

To reduce risk of electric shock and fire, take care when connecting units to the supply circuit so that wiring is not overloaded.

---

- 
- Step 1** Bolt the rack to the subfloor before moving the chassis onto it.
- Step 2** If the rack has bonded construction, connect it to the earth ground. This action enables you to ground the switch and its components and to ground your electrostatic discharge (ESD) wrist strap. This action prevents discharge damage when you handle ungrounded components during installation.
- Step 3** If you need access to the source power at the rack, include one of the following:

- For AC power, include an AC circuit that meets the power specifications of the switch, see [Power Requirements for Switch Modules, on page 113](#). This circuit must include receptacles that match your local and national requirements and match the needs of the power cable that is used with the power supply unit.
- For DC power, include a DC circuit that meets the power specifications of the switch see [Power Requirements for Switch Modules, on page 113](#)). This circuit must include a circuit breaker so that you can safely connect the power cables to the power supply.

---

## Inspecting the New Switch

Before you install a new chassis, unpack and inspect it to be sure that you have all the items that you ordered. Verify that the switch was not damaged during shipment.



---

**Caution** When you handle the chassis or its components, you must follow ESD protocol to prevent ESD damage. This protocol includes but is not limited to wearing an ESD wrist strap that you connect to the earth ground.

---



---

**Tip** Do not discard the shipping container when you unpack the switch. Flatten the shipping cartons and store them with the pallet that was used for the system. If you move or ship the system in the future, you will need these containers.

---

---

**Step 1** Compare the shipment to the equipment list that is provided by your customer service representative and verify that you have received your ordered items. The shipment includes boxes for the following:

- System chassis, which includes the following installed components:
  - Supervisor modules (1 or 2) of the following types (must be the same type):
    - Supervisor A (N9K-SUP-A)
    - Supervisor A+ (N9K-SUP-A+)
    - Supervisor B (N9K-SUP-B) (required for -R line cards and fabric modules)
    - Supervisor B+ (N9K-SUP-B+) (required for -R, -R2 line cards and -R, -R2 fabric modules)
  - System controllers (2) (N9K-SC-A)
  - Line cards (1 to 4 line cards) as described in the Overview in Chapter 1.
  - Fabric modules—See the Overview in Chapter 1 for quantity and type. The switch must have only one type of fabric module that supports the installed line cards.

The fabric modules must be installed in specific slots as follows (installing fabric modules in other slots can cause a module mismatch condition):

- For three modules, they must be in slots FM 2, FM 4, and FM 6.

- For four modules, they must be in slots FM 2, FM 3, FM 4, and FM 6.
- For five modules, they must be in slots FM 2, FM 3, FM 4, FM 5, and FM 6.
- For six modules, they are in slots FM 1, FM 2, FM 3, FM 4, FM 5, and FM 6.
- Fan trays (3)
- Power supplies (1 to 4)
  - 3-kW AC power supply (N9K-PAC-3000W-B)
  - 3-kW Universal AC/DC power supply (N9K-PUV-3000W-B)
  - 3.15-kW Dual Input Universal AC/DC power supply (N9K-PUV2-3000W-B)
  - 3-kW DC power supply (N9K-PDC-3000W-B)
- Rack Mount kit
  - Rack mount kit for the Cisco Nexus 9504 (N9K-C9504-RMK) chassis
    - Bottom-support rails (2)
    - M6 mounting screws (20)
    - 10-32 mounting screws (20)
    - 12-24 mounting screws (20)
  - Switch accessory kit (N9K-ACC-KIT)

**Step 2** Check the contents of each box for damage.

**Step 3** If you notice any discrepancies or damage, send the following information to your customer service representative by email:

- Invoice number of the shipper, see the packing slip.
- Model and serial number of the missing or damaged unit
- Description of the problem and how it affects the installation.
- Photos of the damage to external packaging, internal packaging, and product

---

## Installing the Bottom-Support Rails

The bottom-support rails support the weight of the switch chassis in the rack or cabinet. To maximize the stability of the rack, you must attach these rails at the lowest possible rack unit (RU).



---

**Warning Statement 1006**—Chassis Warning for Rack-Mounting and Servicing

To prevent bodily injury when mounting or servicing this unit in a rack, you must take special precautions to ensure that the system remains stable. The following guidelines are provided to ensure your safety:

- This unit should be mounted at the bottom of the rack if it is the only unit in the rack.
  - When mounting this unit in a partially filled rack, load the rack from the bottom to the top with the heaviest component at the bottom of the rack.
  - If the rack is provided with stabilizing devices, install the stabilizers before mounting or servicing the unit in the rack.
- 

**Before you begin**

Before you can install the bottom support rails for the chassis, you must do the following:

- Verify that a four-post rack or cabinet is installed and secured to the concrete subfloor, see [Installing a Rack or Cabinet](#).
- If any other devices are stored in the rack or cabinet, verify that they are located below where you plan to install the switch. Also, verify that lighter devices in the same rack are located above where you plan to install this switch.
- Verify that the bottom-support rails kit is included in the switch accessory kit, see [Inspecting the New Switch](#).

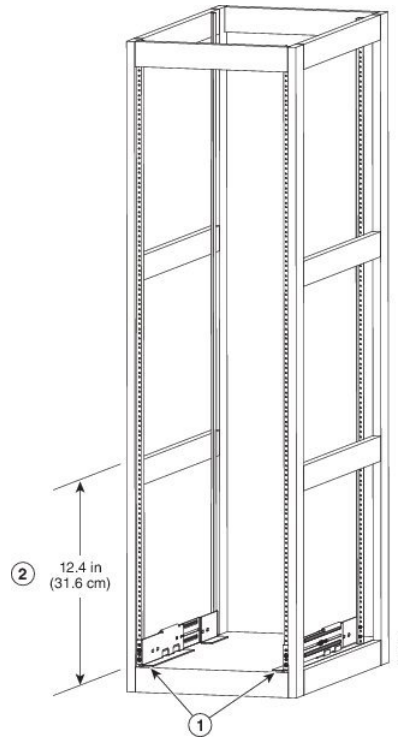
---

**Step 1**

Position one of the two adjustable bottom-support rails at the lowest possible RU in the rack or cabinet. Adjust the length of each rail so that it stretches from the outer edges of the front and rear vertical mounting rails on the rack. Be sure that there is at least 7.1 RU (12.4 in [31.6 cm]) of vertical space above the rails to install the chassis, see the following figure.

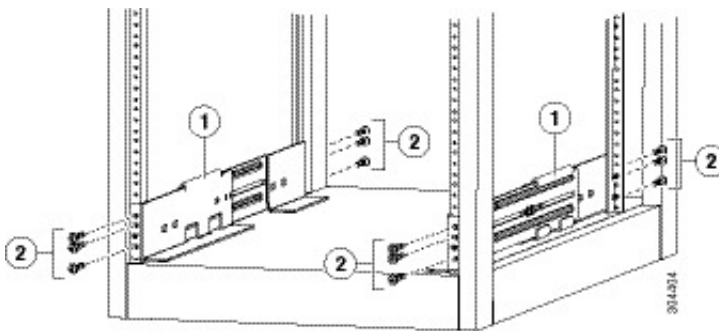
You can expand the rail so that its mounting brackets are spaced between 24 to 32 inches (61.0 to 81.3 cm).





1	Position 2 bottom-support rails at the lowest RU on the rack.	3	Distance between front and rear vertical rails must be 24 to 32 inches (61.0 to 81.3 cm).
2	Allow at least 7.1 RU (12.4 in [31.6 cm]) for each chassis.		

**Step 2** Attach the bottom-support rail to the rack or cabinet using a Phillips torque screwdriver on three M6 x 19 mm or 12-24 x 3/4 inch screws for each end of the rail (using a total of 6 screws for the rail as shown in the following figure) and tighten each screw to 40 in-lbs (4.5 N.m) of torque.



1	Adjustable bottom-support rails (2)	2	M6 x 19-mm (or 12-24 x 3/4 in.) Phillips screws (at least 6 per rail)
---	-------------------------------------	---	---

**Note** Use at least three screws on each end of each bottom-support rail.

**Step 3** Repeat Steps 1 and 2 to attach the other bottom-support rail to the rack.

**Note** Make sure that the two bottom-support rails are level with one another. If they are not level, adjust the higher rail down to the level of the lower rail.

---

### What to do next

When the bottom-support rails are installed at the lowest possible RU and are level, you are ready to install the chassis in the rack or cabinet.

## Installing a Chassis in a Rack or Cabinet

### Before you begin

Verify each of the following:

- The chassis shipment is complete and undamaged.
- A four-post rack or cabinet is installed and secured to the concrete subfloor.



---

### **Warning** Statement 1048—Rack Stabilization

Stability hazard. The rack stabilizing mechanism must be in place, or the rack must be bolted to the floor before you slide the unit out for servicing. Failure to stabilize the rack can cause the rack to tip over.

---

- The bottom-support rails have been attached to the lowest possible RU in the rack or cabinet. And that there is 7.1 RU (12.4 in [31.6 cm]) of space that is above the rails to install the chassis.
- If there are other devices in the rack, ensure that the heavier devices are installed below the location that you are going to install the chassis.
- The data center ground is accessible where you are installing the chassis.
- You have the following tools and equipment:
  - Mechanical lift capable of lifting the full weight of the chassis (a maximum of 255 pounds [116 kg]) and its installed modules
  - Phillips-head torque screwdriver
  - Bottom-support rails kit (shipped with the accessory kit)

Part of this kit has already been used to install the bottom-support rails. You have at least 12 12-24 x 3/4-inch or M6 x 19 mm Phillips screws, which are required for attaching the chassis to the rack.



---

**Note** You have at least two people to push the chassis and one person to guide the chassis when you slide it into the rack.

---

**Warning Statement 1006**—Chassis Warning for Rack-Mounting and Servicing

To prevent bodily injury when mounting or servicing this unit in a rack, you must take special precautions to ensure that the system remains stable. The following guidelines are provided to ensure your safety:

- This unit should be mounted at the bottom of the rack if it is the only unit in the rack.
- When mounting this unit in a partially filled rack, load the rack from the bottom to the top with the heaviest component at the bottom of the rack.
- If the rack is provided with stabilizing devices, install the stabilizers before mounting or servicing the unit in the rack.

**Warning Statement 1074**—Comply with Local and National Electrical Codes

Installation of the equipment must comply with local and national electrical codes.

**Step 1** Make the chassis as light as possible for moving. Remove the following modules and place them where their connectors will not be damaged:

- Power supplies—For each power supply, press and hold the eject lever, and use the handle on the front of the power supply to remove the module.
- Fan trays—Unscrew the four captive screws, and use the two handles on the fan tray to remove the module.
- Fabric modules—For each fabric module, press both eject buttons on the front, rotate both levers away from the front of the module, and use the levers to remove the module.

**Step 2** Load the chassis onto a mechanical lift as follows:

- a) Position the mechanical lift next to the shipping pallet that holds the chassis.
- b) Elevate the lift platform to the level of the bottom of the chassis (or no more than 1/4 inch [0.635 cm] below the bottom of the chassis).
- c) Use at least two people to slide the chassis onto the lift so that the side of the chassis touches or is close to the vertical rails on the lift. Make sure that the front and rear of the chassis are unobstructed so you can easily push the chassis into the rack.

**Warning Statement 1032**—Lifting the Chassis

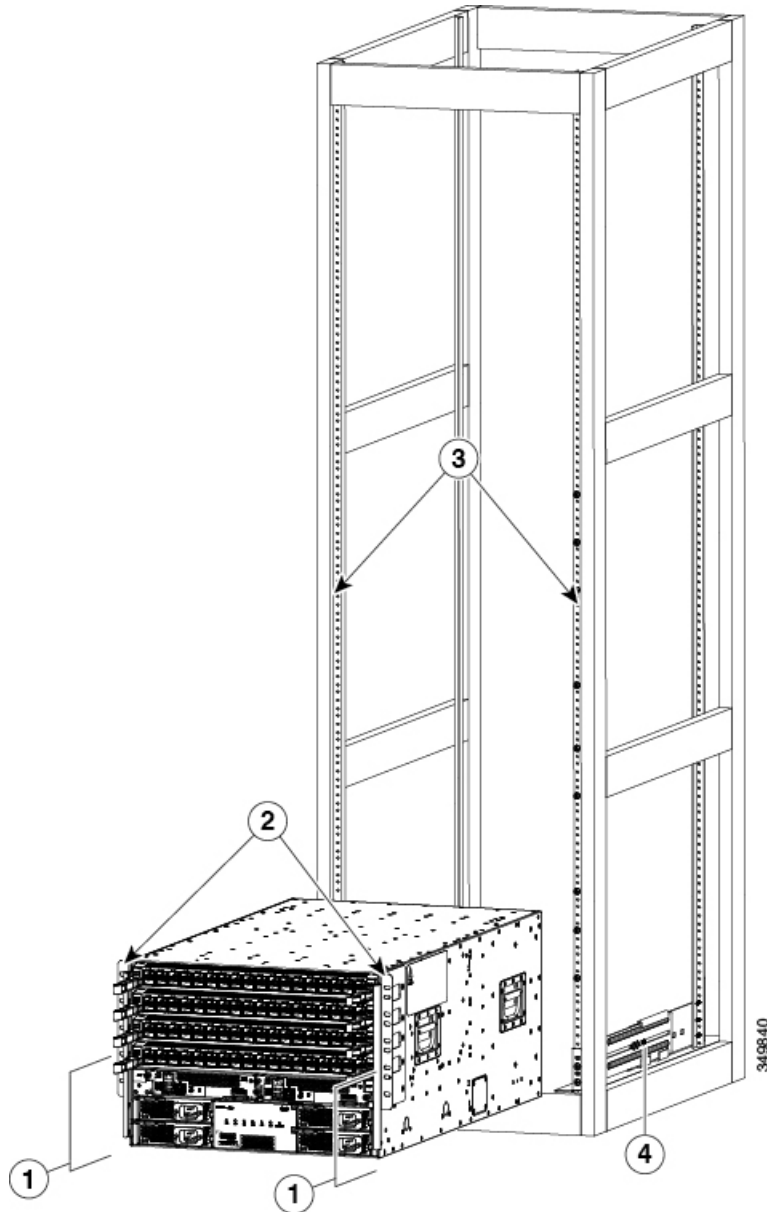
To prevent personal injury or damage to the chassis, never attempt to lift or tilt the chassis using the handles on modules (such as power supplies, fans, or cards); these types of handles are not designed to support the weight of the unit.

**Step 3** Use the mechanical lift to move and align the rear of the chassis to the front of the four-post rack or cabinet.

Make sure that the bottom of the chassis is elevated to the height of the bottom-support rails or no more than 1/4 inch (0.6 cm) above the bracket.

**Step 4** Push the chassis halfway onto the rack or cabinet.

Use at least two people to push the chassis onto the bottom-support rails and one person to guide the chassis down the center of the rails. Push the lower half of the front side of the chassis so that the back side enters the rack. Then push until the chassis is halfway onto the rack, see the following figure. Ensure that the chassis does not get caught on any of the expansion edges of the bottom-support rail.



1	Push the sides of the lower half of the front side of the chassis (do not push or lift any modules or module handles).	3	Rack vertical mounting rails on the rack.
2	Chassis mounting brackets.	4	Bottom support rails

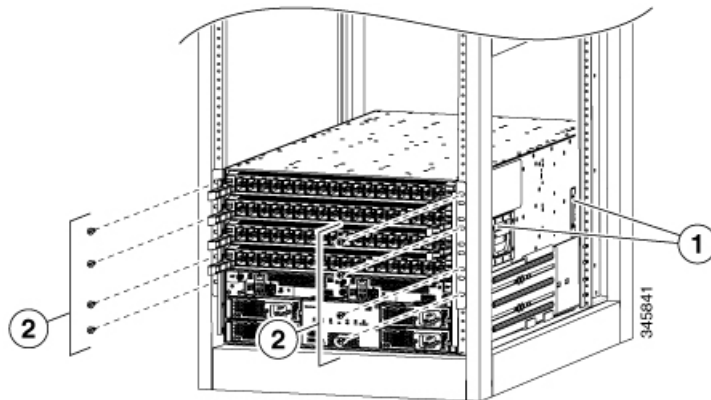
**Tip** To adjust the placement of the chassis on the bottom-support rails, you can use the chassis handles, see Callout 1 in the following figure.

**Step 5** If the mechanical lift is raised above the height of the bottom-support rails, gently lower it to the level of the rails or no more than 1/4 inch (0.6 cm) below the rails.

This action helps to prevent the bottom of the chassis from getting caught on the expansion edges of the bottom-support rail.

**Step 6** Push the chassis all the way onto the rack so that the vertical mounting brackets on the front of the chassis come in contact with the vertical mounting rails on the rack.

**Step 7** Use four M6 x 19 mm or 24 x 3/4-inch screws to attach each of the two chassis vertical mounting brackets to the two rack vertical mounting rails (total of 8 screws) as shown in the following figure.



1	Handles used to adjust the chassis placement.	2	Four M6 x 19 mm or 10-24 x 3/4 in. Phillips screws used to attach each side bracket to a front mounting rail (use a total of eight screws).
---	---	---	---

### What to do next

After you have secured the chassis to the rack, you can connect the chassis to the data center ground.

## Grounding the Chassis

The switch chassis is automatically grounded when you properly install the switch in a grounded rack with metal-to-metal connections between the switch and rack.

You can also ground the chassis, which is required if the rack is not grounded, by attaching a customer-supplied grounding cable. Attach the cable to the chassis grounding pad and the facility ground.



### Warning Statement 1024—Ground Conductor

This equipment must be grounded. To reduce the risk of electric shock, never defeat the ground conductor or operate the equipment in the absence of a suitably installed ground conductor. Contact the appropriate electrical inspection authority or an electrician if you are uncertain that suitable grounding is available.


**Warning Statement 1046—Installing or Replacing the Unit**

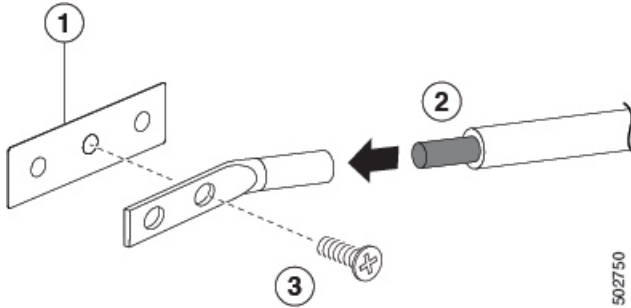
To reduce risk of electric shock, when installing or replacing the unit, the ground connection must always be made first and disconnected last.

**Before you begin**

Before you can ground the chassis, you must have a connection to the earth ground for the data center building.

**Step 1** Use a wire-stripping tool to remove approximately 0.75 inch (19 mm) of the covering from the end of the grounding wire. We recommend 6-AWG wire for the U.S. installations.

**Step 2** Insert the stripped end of the grounding wire into the open end of the grounding lug. Use a crimping tool to crimp the lug to the wire, see the following figure. Verify that the ground wire is securely attached to the grounding lug by attempting to pull the wire out of the crimped lug.



1	Chassis grounding pad	3	1 M4 screw is used to secure the grounding lug to the chassis
2	Grounding cable, with 0.75 in. (19 mm) of insulation that is stripped from one end, which is inserted into the grounding lug and crimped in place		

**Step 3** Secure the grounding lug to the chassis grounding pad with one M4 screw, see the previous figure. Tighten the screw to 11 to 15 in-lb (1.24 to 1.69 N·m) of torque.

**Step 4** Prepare the other end of the grounding wire and connect it to the facility ground.

## Starting Up the Switch

Before you can turn on the switch, you must ensure the following:

- The switch has enough power supplies to output the amount of wattage that is required for all the modules that are installed in the switch. Depending on the power mode that you use for the switch, consider the following:
  - For combined power mode (no power redundancy), there must be enough power supplies to power all the modules in the chassis. No extra power supplies are needed for redundancy.

- For  $n+1$  redundancy mode, there must be enough power supplies to power all the modules in the chassis. And there must be one extra power supply to provide redundancy if one power supply goes down or is replaced. The maximum number of power supplies that are needed is the number that is used for combined power mode plus one ( $n+1$ ) for redundancy.
- For  $n+n$  redundancy mode, there must be two equal sets of power supplies. Each of which can power all the modules in the chassis and each set is connected to a separate power source. If one power source goes down, the power supplies connected to the other power source can power the switch. The maximum number of power supplies is the number of power supplies that are required for combined power plus the same number of power supplies ( $n+n$ ) for redundancy.




---

**Note** DC power supplies have two power feeds, each with a positive (+) wire and a negative (-) wire. For simpler routing of power cables, you connect both feeds to the same power source. Alternatively, you can connect each feed to a separate power source but that makes the routing of power cables more complicated.

---




---

**Note** This Equipment is designed to boot up in less than 30 minutes, dependent on its neighboring devices being fully up and running.

---

- When using two power sources, it is easiest to manage the routing of power cables separately. Route the power cables for one power source along the left side of the chassis. Route the power cables for the other power source along the right side of the chassis. The power cables on the left side connect to power supplies in the far left power supply slots. The power cables on the right side connect to power supplies in the far right power supply slots. If you are not filling all the power supply slots, fill the slots on the sides for now and leave the middle slots open. Cover each open slot with a power supply slot blank to preserve the designed airflow, until you add more power supplies.

You turn on the switch when you connect its power supplies to one or two power sources.




---

**Warning** **Statement 1004**—Installation Instructions

Read the installation instructions before using, installing or connecting the system to the power source.

---




---

**Warning** **Statement 1018**—Supply Circuit

To reduce risk of electric shock and fire, take care when connecting units to the supply circuit so that wiring is not overloaded.

---

## Connecting a 3-kW AC Power Supply to an AC Power Source

- Step 1** For each 3-kW AC power supply, connect an AC power cable to the AC power source and to the power receptacle on the power supply.

**Step 2** Verify that the Output Power LED turns on and becomes green.

---

**What to do next**

When the power supplies are operating and the switch is fully powered, you are ready to connect the switch to the network.

## Connecting a 3-kW Universal AC/DC Power Supply to an AC Power Source

The 3-kW Universal AC/DC power supply can be connected to either a 200-to-277-V AC circuit equipped with a Saf-D-Grid receptacle. This procedure is for connecting the power supply to an AC power source.

**Before you begin**

The power switch on the power supply must be turned off (power switch set to 0).

---

- Step 1** Verify that the power switch on the power supply is turned off (0).
- Step 2** Connect the Saf-D-Grid connector on the AC power cable to the Saf-D-Grid receptacle for the AC power source.
- Step 3** Connect the Saf-D-Grid connector on the other end of the power cable to the Saf-D-Grid receptacle on the power supply.
- Step 4** Turn on the power supply by pressing its power switch to on (1).
- Step 5** Verify that the Output Power LED turns on and becomes green.
- 

**What to do next**

After you finish connecting the power supplies to the power source and the power supplies are operating, you connect the switch to the network.

## Connecting a 3-kW Universal AC/DC Power Supply to a DC Power Source

The 3-kW Universal AC/DC power supply can be connected to a 240-to-380-V DC circuit equipped with positive, negative, and ground terminals. This procedure is for connecting the power supply to a DC power source.

**Before you begin**

- The DC power source must be turned off at its circuit breaker.
  - The power switch on the power supply must be turned off (power switch set to 0).
- 

- Step 1** Verify that the circuit breaker for the DC power source is turned off.
- Step 2** Verify that the power switch on the power supply is turned off (0).
- Step 3** Connect the ground terminal ring on the power cable to the ground terminal on the DC power source. Secure it in place with a nut tightened to the appropriate torque setting for the terminal post.



- Step 4** Connect the negative terminal ring on the power cable to the negative (-) terminal on the DC power source. Secure it in place with a nut tightened to the appropriate torque setting for the terminal post.
- Step 5** Connect the positive terminal ring on the power cable to the positive (+) terminal on the DC power source. Secure it in place with a nut tightened to the appropriate torque setting for the terminal post.
- Step 6** Connect the Saf-D-Grid connector on the other end of the power cable to the Saf-D-Grid receptacle on the power supply.
- Step 7** Turn on the circuit breaker for the DC power source circuit.
- Step 8** Turn on the power supply by pressing its power switch to on (1).
- Step 9** Verify that the Output Power LED turns on and becomes green.

---

### What to do next

After you finish connecting the power supplies to the power source and the power supplies are operating, you connect the switch to the network.

## Connecting a 3-kW DC Power Supply to a DC Power Source

For no power redundancy or  $n+1$  power redundancy, you connect the power supplies in the switch to the same power grid. For  $n+n$  power redundancy, you connect half of the power supplies to one power grid and the other half of power supplies to another power grid. Grid A power supplies are on the left side of the switch and grid B power supplies are on the right side of the switch).

### Before you begin

- The power supplies must be installed in the chassis.
- The power supplies must be close enough to be connected to the DC power source using the customer-provided power cables.
- Four 6-AWG lugs that are provided with the switch.
- Customer-provided equipment and tools must include the following:
  - Four power cables (6-AWG cables recommended).



---

**Note** Use colored cables to designate positive and negative polarity. You need two cables that are colored for positive polarity and two cables that are colored for negative polarity.

---

- Wire stripping tool
- Crimping tool
- Torque screwdriver and wrench

- 
- Step 1** Turn off the switch and circuit breaker as follows:
- a) Turn the power switch on the power supply to standby (labeled 0 on the power supply).

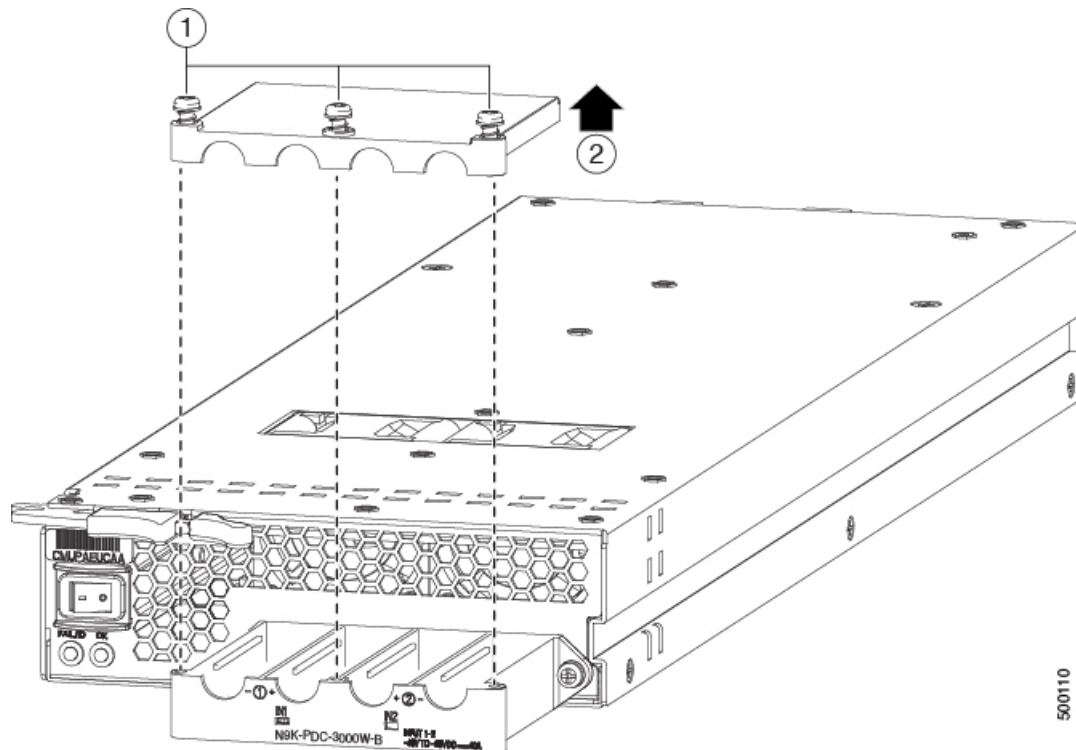
- b) Turn off the circuit breaker for each of the two power inputs coming from the DC power source.

**Warning Statement 1003—DC Power Disconnection**

Before performing any of the following procedures, ensure that power is removed from the DC circuit.

**Step 2** Connect the four customer-provided power cables to the power supply and power source as follows:

- a) Use a wire stripper to remove 0.75 inches (19 cm) of insulation from the end of each of four power cables.  
Use colored cables to designate positive and negative polarity. You need two cables that are colored for positive polarity and two cables that are colored for negative polarity.
- b) Use a crimping tool to attach each of four lugs (provided with the switch for each power supply) to the stripped end of each cable.  
Test each crimped lug by trying to pull it off its cable.
- c) Use a torque screwdriver to unscrew the three screws that are on the cover of the terminal box. the cover is located on the front of the power supply and lifts off the cover as shown in the following figure.



1	Unscrew three screws on the safety cover.	2	Remove the cover.
---	---	---	-------------------

**Note** The terminal box has four slots for four power terminals (ordered as negative [-], positive [+], positive [+], and negative [-]). Each terminal has two nuts that you use to fasten a power cable to the terminal.

- d) Remove the two nuts from each terminal post in each slot of the terminal box.
- e) Place each of the lugs for the two positive cables on the two middle terminal posts and fasten each lug using two nuts. Then tightened to 40 in-lb (4.5 N·m) of torque.

- f) Place each of the lugs for the two negative cables on the two side terminal posts and fasten each lug with two nuts. Then tightened to 40 in-lb (4.5 N·m) of torque.
- g) Replace the safety cover on the terminal box and fasten it in place using its three screws.
- h) Connect the other ends of the power cables to the two DC power circuits.

Be sure that the positive and negative cables that are attached to one side of the power supply are attached to the same DC power source circuit. The negative cable is attached to a negative terminal and the positive cable is attached to a positive terminal).

**Step 3**

Power up the power supply as follows:

- a) Turn on the power source circuit breaker for both input lines.

Verify that the Input 1 (IN1) and Input 2 (IN2) LEDs light up on the power supply.

- b) Turn the power switch on the power supply to ON (labeled 1 on the power supply).

The LEDs flash and then the OK LED turns on (green) in addition to the Input LEDs.

---

**What to do next**

You are ready to connect the switch to the network.





## CHAPTER 4

# Connecting the Switch to the Network

- [Guidelines for Connecting Ports, on page 35](#)
- [Connecting a Console to the Switch, on page 36](#)
- [Connecting the Management Interface, on page 37](#)
- [Creating the Initial Switch Configuration, on page 38](#)
- [Connecting Interface Ports, on page 40](#)

## Guidelines for Connecting Ports

You can use C Form-factor Pluggable (CFP), Quad Small Form-Factor Pluggable (QSFP+, QSFP28, or QSFP-DD), or Small Form-Factor Pluggable (SFP, SFP+ or SFP28) transceivers or RJ-45 connectors to connect the ports on the line cards to other network devices.

For information about the transceivers currently being used with the switch, use the **show inventory all** command.

Prevent damage to the fiber-optic cables that can separate from their cables. Keep the transceivers disconnected from their fiber-optic cables when installing the transceiver in the line card. Before removing such a transceiver from the switch, remove the cable from the transceiver.

To maximize the effectiveness and life of your transceivers and optical cables, do the following:

- Wear an ESD-preventative wrist strap that is connected to an earth ground whenever handling transceivers. The switch is typically grounded during installation and provides an ESD port to which you can connect your wrist strap.
- Do not remove and insert a transceiver more often than is necessary. Repeated removals and insertions can shorten its useful life.
- Keep the transceivers and fiber-optic cables clean and dust free to maintain high signal accuracy and to prevent damage to the connectors. Contamination causes increased attenuation (loss of light), and should be kept below 0.35 dB.
  - Clean these parts before installation to prevent dust from scratching the fiber-optic cable ends.
  - Clean the connectors regularly; the required frequency of cleaning depends upon the environment. In addition, clean connectors if they are exposed to dust or accidentally touched. Both wet and dry cleaning techniques can be effective; refer to your site's fiber-optic connection cleaning procedures.
  - Do not touch the ends of connectors. Touching the ends can leave fingerprints and cause other contamination.

- Inspect routinely for dust and damage. If you suspect damage, clean and then inspect fiber ends under a microscope to determine if damage has occurred.
- To minimize the chance of damaging transceivers when installing them, slide them gently into their switch slots. Never force transceivers all the way into the slots. If the transceiver stops part way into the slot, it might be upside down. Remove the transceiver before turning it over and reinstalling it. If positioned correctly, the transceiver slides all the way into the slot and clicks when fully installed.



**Warning** **Statement 1051**—Laser Radiation

Invisible laser radiation may be emitted from disconnected fibers or connectors. Do not stare into beams or view directly with optical instruments.

---



**Warning** **Statement 1055**—Class 1/1M Laser

Invisible laser radiation is present. Do not expose to users of telescopic optics. This applies to Class 1/1M laser products.



**Warning** **Statement 1056**—Unterminated Fiber Cable

Invisible laser radiation may be emitted from the end of the unterminated fiber cable or connector. Do not view directly with optical instruments. Viewing the laser output with certain optical instruments, for example, eye loupes, magnifiers, and microscopes, within a distance of 100 mm, may pose an eye hazard.

---

## Connecting a Console to the Switch

Before you create a network management connection for the switch or connect the switch to the network, you must create a local management connection through a console terminal. And then configure an IP address for the switch. You can use the console to perform the following functions, each of which can be performed through the management interface after you make that connection:

- Configure the switch using the command-line interface (CLI).
- Monitor network statistics and errors.
- Configure Simple Network Management Protocol (SNMP) agent parameters.
- Download software updates.

You make this local management connection between the asynchronous serial port on a supervisor module and a console device capable of asynchronous transmission. Typically, you can use a computer terminal as the console device. On the supervisor modules, you use the console serial port.



---

**Note** Before you can connect the console port to a computer terminal, make sure that the computer terminal supports VT100 terminal emulation. The terminal emulation software makes communication between the switch and computer possible during setup and configuration.

---

#### Before you begin

- The switch must be fully installed in its rack, which is connected to a power source, and grounded.
- The necessary cabling for the console, management, and network connections must be available.
  - An RJ-45 rollover cable and DB9F/RJ-45 adapter are provided in the switch accessory kit.
  - Network cabling is routed to the location of the installed switch.

---

**Step 1** Configure the console device to match the following default port characteristics:

- 9600 baud
- 8 data bits
- 1 stop bit
- No parity

**Step 2** Connect an RJ-45 rollover cable to the console port on the switch.

You can find this cable in the accessory kit.

**Step 3** Route the RJ-45 rollover cable to the console or modem.

**Step 4** Connect the other end of the RJ-45 rollover cable to the console or to a modem.

If the console or modem cannot use an RJ-45 connection, use the DB-9F/RJ-45F PC terminal adapter, found in the accessory kit for the switch. Alternatively, you can use an RJ-45/DSUB F/F or RJ-45/DSUB RP adapter, but you must provide those adapters.

---

#### What to do next

You are ready to create the initial switch configuration (see [Creating the Initial Switch Configuration, on page 38](#)).

## Connecting the Management Interface

The supervisor management port (MGMT ETH) provides out-of-band management, which enables you to use the command-line interface (CLI) to manage the switch by its IP address. This port uses a 10/100/1000 Ethernet connection with an RJ-45 interface.



---

**Note** In a dual supervisor switch, you can ensure that the active supervisor module is always connected to the network by connecting the management interface on both supervisor modules to the network (that is, you can perform this task for each supervisor module). No matter which supervisor module is active, the switch automatically has a management interface that is running and accessible from the network.

---



---

**Caution** To prevent an IP address conflict, do not connect the management port until the initial configuration is complete. For more information, see [Creating the Initial Switch Configuration, on page 38](#).

---

### Before you begin

You must have completed the initial switch configuration (see [Creating the Initial Switch Configuration, on page 38](#)).

- 
- Step 1** Connect a modular, RJ-45, UTP cable to the MGMT ETH port on the supervisor module.
- Step 2** Route the cable through the central slot in the cable management system.
- Step 3** Connect the other end of the cable to a 10/100/1000 Ethernet port on a network device.
- 

### What to do next

You are ready to connect the interface ports on each of the line cards to the network.

## Creating the Initial Switch Configuration

You assign an IP address to the switch management interface so that you can then connect the switch to the network.

When you initially power up the switch, it boots up and asks you a series of questions to configure the switch. To connect the switch to the network, you can use the default choices for each configuration except the IP address, which you must provide. You can perform the other configurations later as described in the *Cisco Nexus 9000 Series NX-OS Fundamentals Configuration Guide*.



---

**Note** Know the unique name that is needed to identify the switch among the devices in the network.

---

### Before you begin

- A console device must be connected with the switch.
- The switch must be connected to a power source.
- Determine the IP address and the netmask that is needed for the Management (Mgmt0) interface.



- 
- Step 1** Power up the switch by connecting each installed power supply to a power source.
- If you are using the input-source ( $n+n$ ) power mode, connect half of the power supplies to one AC circuit. And connect the other half of the power supplies to another AC circuit.
- The Input and Output LEDs on each power supply light up (green) when the power supply units are sending power to the switch, and the software asks you to specify a password to use with the switch.
- Step 2** Enter a new password to use for this switch.
- The software checks the security strength of your password and rejects your password if it is not considered to be a strong password. To increase the security strength of your password, make sure that it adheres to the following guidelines:
- At least eight characters
  - Minimizes or avoids the use of consecutive characters (such as "abcd").
  - Minimizes or avoids repeating characters (such as "aaabbb").
  - Does not contain recognizable words from the dictionary.
  - Does not contain proper names.
  - Contains both uppercase and lowercase characters
  - Contains numbers and letters
- Note** Clear text passwords cannot include the dollar sign (\$) special character.
- Tip** If a password is trivial (such as a short, easy-to-decipher password), the software will reject your password configuration. Be sure to configure a strong password as explained in this step. Passwords are case-sensitive.
- If you enter a strong password, the software asks you to confirm the password.
- Step 3** Enter the same password again.
- If you enter the same password, the software accepts the password and begins asking a series of configuration questions.
- Step 4** Until you are asked for an IP address, you can enter the default configuration for each question.
- Repeat this step for each question until you are asked for the Mgmt0 IPv4 address.
- Step 5** Enter the IP address for the management interface.
- The software asks for the Mgmt0 IPv4 netmask.
- Step 6** Enter a network mask for the management interface.
- The software asks if you need to edit the configuration.
- Step 7** Enter **no** not to edit the configuration.
- The software asks if you need to save the configuration.
- Step 8** Enter **yes** to save the configuration.
-

**What to do next**

You can now set up the management interface for each supervisor module on the switch.

## Connecting Interface Ports

You can connect BASE-T (copper) and optical interface ports on line cards with other devices for connectivity to the network.

### Connecting a BASE-T Port to the Network

You can connect a line-card BASE-T (copper) port to another device on the network using a copper network interface cable with RJ-45 connectors on either end.

**Before you begin**

- Follow the ESD-preventative protocol, such as wearing a grounded ESD wrist strap, whenever handling electronic components.
- You must have BASE-T ports available for connection on a line card that is installed on the switch.
- You must have BASE-T ports available on another networked device, which can be another switch.

---

**Step 1** Route the copper interface cable from the other networking device to the switch. At the switch, route the cable through the cable management slot next to the line card that you are connecting.

**Step 2** Insert the RJ-45 connector for the new interface cable into the appropriate port on the line card.

Check the port LED to be sure that it turns on and turns green.

---

### Disconnecting a BASE-T Port from the Network

You can disconnect a BASE-T (copper) port from the network by removing a copper network interface cable with RJ-45 connectors from the line card interface port.

**Before you begin**

Follow the ESD-preventative protocol, such as wearing a grounded ESD wrist strap, whenever handling electronic components.

---

**Step 1** Remove the RJ-45 connector from the interface port that you are disconnecting on the line card.

The port LED turns off.

**Step 2** (Optional) You can remove the interface cable from the device on the other end of the cable.

---

## Connecting an Optical Port to the Network

Depending on the type line card that you are using, you can use a 1-Gigabit SFP, 10-Gigabit SFP+, 25-Gigabit SFP28, 40-Gigabit QSFP+, 100-Gigabit CFP2, QSFP28, or QSFP-DD transceivers. Some of these transceivers work with fiber-optic cables that you attach to the transceivers and other transceivers work with preattached copper cables. To prolong the life of detachable transceivers, install the transceivers before installing the fiber-optic cable in the transceivers.



---

**Note** The N9K-X9536PQ line card supports your use of SFP and SFP+ transceivers in QSFP+ ports when using a QSFP-to-SFP adapter, such as the CVS-QSFP-SFP10G adapter.

---



---

**Caution** Removing and installing a transceiver can shorten its useful life. Do not remove and insert transceivers more often than is necessary. We recommend that you disconnect cables before installing or removing transceivers to prevent damage to the cable or transceiver.

---

---

**Step 1** If there is a protective cover for the port that you are connecting, remove the protective covering.

**Step 2** For the transceiver that you are inserting into a port, do the following:

- a) If the transceiver is connected to an optical cable, remove the cable from the transceiver.
- b) Insert the transceiver into the open port.
- c) If using an optical cable, insert the optical cable into the installed transceiver.

**Step 3** To install the other end of the cable into another device, do the following:

- a) If the transceiver is connected to an optical cable, remove the cable from the transceiver.
  - b) Insert the transceiver into the open port.
  - c) If using an optical cable, insert the optical cable into the installed transceiver.
- 

## Disconnecting Optical Ports from the Network

When removing fiber-optic transceivers, you must remove the fiber-optic cables from a transceiver before removing the transceiver from the port.

## Optic Transceiver Removal Using the Optics Extraction Tool

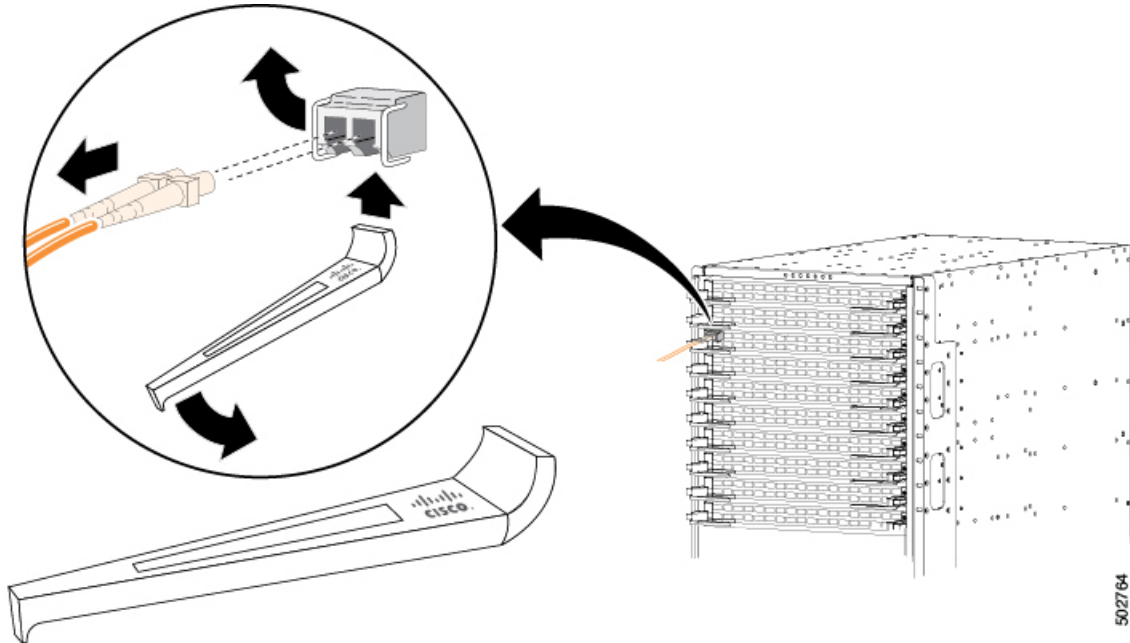
You use both ends of the optics extraction tool in this procedure. You use the wide end for releasing the bale latch, and the narrow end for removing the transceiver module.

### Before you begin

Ensure that before you handle any switch components, you are wearing a grounded electrostatic discharge (ESD) strap. To ground the strap, attach it directly to earth ground or to a grounded rack or chassis. There must be a metal-to-metal connection to earth ground.

**Step 1** Remove the fiber-optic cables from the transceiver module before removing the transceiver module.

**Step 2** Use the wide side of the optics extraction tool to release the bale latch (see the following image).



**Step 3** Use the narrow end of the optics extraction tool to carefully remove the transceiver module (see the following

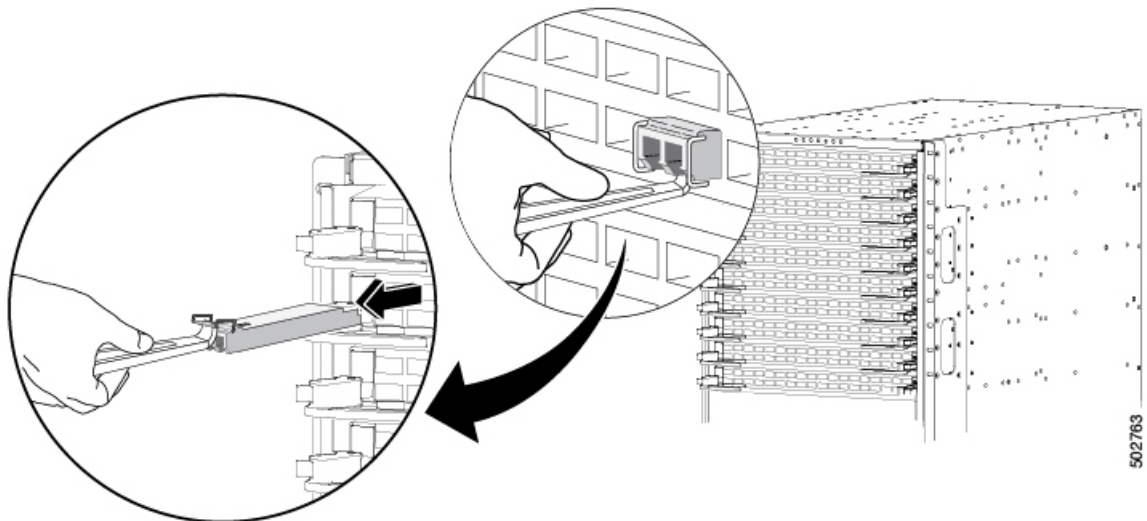


image).

**Step 4** Place the transceiver module in an antistatic bag or other protective environment.

## Maintaining Transceivers and Optical Cables

Transceivers and fiber-optic cables must be kept clean and dust free to maintain high signal accuracy and prevent damage to the connectors. Contamination increases attenuation (loss of light) and should be below 0.35 dB.

Consider the following maintenance guidelines:

- Transceivers are static sensitive. To prevent ESD damage, wear an ESD-preventative wrist strap that is connected to the grounded chassis.
- Do not remove and insert a transceiver more often than is necessary. Repeated removals and insertions can shorten its useful life.
- Keep all optical connections covered when not in use. Clean them before using to prevent dust from scratching the fiber-optic cable ends.
- Do not touch the ends of connectors. Touching the ends can leave fingerprints and cause other contamination.
- Clean the connectors regularly; the required frequency of cleaning depends upon the environment. In addition, clean connectors if they are exposed to dust or accidentally touched. Both wet and dry cleaning techniques can be effective; refer to the fiber-optic connection cleaning procedures for your site.
- Inspect routinely for dust and damage. If you suspect damage, clean and then inspect fiber ends under a microscope to determine if damage has occurred.



---

**Note** If cable length is more than 5 meters, Auto Negotiation is not supported.

---



---

**Note** The N9K-X9436PQ, N9K-X9564PX, and N9K-X9564TX line cards do not support Link Training.

---





## CHAPTER 5

# Managing the Switch

- [Displaying Information About the Installed Hardware Modules, on page 45](#)
- [Displaying the Hardware Inventory for a Switch, on page 49](#)
- [Displaying Fabric Utilization Information, on page 49](#)
- [Displaying the Backplane and Serial Number Information, on page 52](#)
- [Displaying Environmental Information for the Switch, on page 53](#)
- [Displaying the Current State of a Module, on page 54](#)
- [Displaying Temperatures for a Module, on page 56](#)
- [Connecting to a Module, on page 58](#)
- [Saving the Module Configuration, on page 58](#)
- [Shutting Down or Starting Up a Module, on page 59](#)
- [Purging a Nonfunctioning Module from the Running Configuration, on page 60](#)
- [Displaying Power Usage Information, on page 60](#)
- [Reload a Module, on page 61](#)
- [Rebooting a Switch, on page 62](#)
- [Overview of Supervisor Modules, on page 63](#)
- [Overview of Power Modes, on page 64](#)
- [Overview of Fan Trays, on page 68](#)

## Displaying Information About the Installed Hardware Modules

You can display information about the switch hardware and the hardware modules that are installed in the switch chassis by using the **show hardware** command.

```
switch# show hardware
Cisco Nexus Operating System (NX-OS) Software
TAC support: http://www.cisco.com/tac
Documents: http://www.cisco.com/en/US/products/ps9372/tsd_products_support_series_home.html
Copyright (c) 2002-2013, Cisco Systems, Inc. All rights reserved.
The copyrights to certain works contained herein are owned by
other third parties and are used and distributed under license.
Some parts of this software are covered under the GNU Public
License. A copy of the license is available at
http://www.gnu.org/licenses/gpl.html.

Software
...
```

```

Hardware
  cisco Nexus9000 C9504 (4 Slot) Chassis ("Supervisor Module")
  Intel(R) Xeon(R) CPU E5-2403 with 16402560 kB of memory.
  Processor Board ID SAL17184072

  Device name: cloud-n9k
  bootflash: 20971520 kB
Kernel uptime is 10 day(s), 19 hour(s), 55 minute(s), 55 second(s)

Last reset
  Reason: Unknown
  System version:
  Service:

plugin
  Core Plugin, Ethernet Plugin
-----
Switch hardware ID information
-----

Switch is booted up
  Switch type is : Nexus9000 C9504 (4 Slot) Chassis
  Model number is N9K-C9504
  H/W version is 0.2010
  Part Number is 73-15298-01
  Part Revision is 1
  Manufacture Date is Year 17 Week 25
  Serial number is SAL17257PBN
  CLEI code is 12345678

-----
Chassis has 8 Module slots and 6 Fabric modules slots
-----

Module1 empty

Module2 empty

Module3 empty

Module4 ok
  Module type is : 36p 40G Ethernet Module
  0 submodules are present
  Model number is N9k-X9636PQ
  H/W version is 0.1010
  Part Number is
  Part Revision is 1
  Manufacture Date is Year 17 Week 25
  Serial number is SAL17257AHD
  CLEI code is

FM21 empty

FM22 ok
  Module type is : Fabric Module
  0 submodules are present
  Model number is N9K-C9504-FM-R
  H/W version is 0.1010
  Part Number is 73-15287-01
  Part Revision is 1
  Manufacture Date is Year 17 Week 19
  Serial number is SAL17194HVX
  CLEI code is 12345678

```



```
FM23 empty

FM24 powered-dn
  Module type is : Fabric Module
  0 submodules are present
  Model number is N9K-C9504-FM-R
  H/W version is 0.1010
  Part Number is 73-15287-01
  Part Revision is 1
  Manufacture Date is Year 17 Week 19
  Serial number is SAL17194HRK
  CLEI code is 12345678

FM25 empty

FM26 powered-dn
  Module type is : Fabric Module
  0 submodules are present
  Model number is N9K-C9504-FM-R
  H/W version is 0.1010
  Part Number is 73-15287-01
  Part Revision is 1
  Manufacture Date is Year 17 Week 19
  Serial number is SAL17194HSR
  CLEI code is 12345678

Module27 ok
  Module type is : Supervisor Module
  0 submodules are present
  Model number is N9K-SUP-B
  H/W version is 0.3011
  Part Number is 73-15279-03
  Part Revision is 1
  Manufacture Date is Year 17 Week 18
  Serial number is SAL17184072
  CLEI code is 12345678

Module28 ok
  Module type is : Supervisor Module
  0 submodules are present
  Model number is N9K-SUP-B
  H/W version is 1.0
  Part Number is 73-15279-05
  Part Revision is A0
  Manufacture Date is Year 17 Week 39
  Serial number is SAL1739DAUL
  CLEI code is CMUCAE2BAA

Module29 ok
  Module type is : System Controller
  0 submodules are present
  Model number is N9K-SC-A
  H/W version is 0.2010
  Part Number is 73-15294-02
  Part Revision is 1
  Manufacture Date is Year 17 Week 22
  Serial number is SAL17225YFS
  CLEI code is

Module30 ok
  Module type is : System Controller
  0 submodules are present
  Model number is N9K-SC-A
  H/W version is 0.2010
```

```
Part Number is 73-15294-02
Part Revision is 1
Manufacture Date is Year 17 Week 22
Serial number is SAL17225YG8
CLEI code is
```

```
-----
Chassis has 8 PowerSupply Slots
-----
```

```
PS1 ok
Power supply type is: 3000.00W 220v AC
Model number is N9K-PAC-3000W-B
H/W version is 0.2
Part Number is 341-0580-01
Part Revision is 02
Manufacture Date is Year 17 Week 22
Serial number is DTM1722000A
CLEI code is 12345678
```

```
PS2 absent
```

```
PS3 absent
```

```
PS4 fail/shutdown
Power supply type is: 3000.00W 220v AC
Model number is N9K-PAC-3000W
H/W version is 0.0
Part Number is
Part Revision is 1
Manufacture Date is Year 16 Week 46
Serial number is DTM164601XC
CLEI code is 12345678
```

```
-----
Chassis has 3 Fan slots
-----
```

```
Fan1 ok
Model number is N9K-C9504-FAN
H/W version is 0.5020
Part Number is 73-15288-05
Part Revision is 02
Manufacture Date is Year 17 Week 18
Serial number is SAL171843HG
CLEI code is 12345678
```

```
Fan2 ok
Model number is N9K-C9504-FAN
H/W version is 0.5020
Part Number is 73-15288-05
Part Revision is 02
Manufacture Date is Year 17 Week 18
Serial number is SAL171843K2
CLEI code is 12345678
```

```
Fan3 ok
Model number is N9K-C9504-FAN
H/W version is 0.5010
Part Number is 73-15288-05
Part Revision is 2
Manufacture Date is Year 17 Week 14
Serial number is SAL171421SY
```

```
CLEI code is  
switch#
```

## Displaying the Hardware Inventory for a Switch

You can display information about the field replaceable units (FRUs), including product IDs, serial numbers, and version IDs by using the **show inventory** command. The output for this command displays information about modules that respond to command line interface commands. Modules such as supervisors, system controllers, line cards, fans, fabric modules, and power supplies. But does not display information for modules that do not respond to those commands, such as blank modules that cover empty slots to manage airflow.

```
switch# show inventory  
NAME: "Chassis", DESCR: "Nexus9000 C9504 (4 Slot) Chassis"  
PID: N9K-C9504 , VID: V01 , SN: FOX2150PHQU  
  
NAME: "Slot 2", DESCR: "16x400G Ethernet Module"  
PID: N9K-X9716D-GX , VID: V01 , SN: FOC24322R8V  
  
NAME: "Slot 3", DESCR: "36x100G Ethernet Module"  
PID: N9K-X9736C-EX , VID: V01 , SN: FOC23465C14  
  
NAME: "Slot 22", DESCR: "4-slot Fabric Module"  
PID: N9K-C9504-FM-G , VID: V00 , SN: FOC24432RQ9  
  
NAME: "Slot 23", DESCR: "4-slot Fabric Module"  
PID: N9K-C9504-FM-G , VID: V00 , SN: FOC24432RQ5  
  
NAME: "Slot 24", DESCR: "4-slot Fabric Module"  
PID: N9K-C9504-FM-E , VID: V02 , SN: FOC24294DUB  
  
NAME: "Slot 25", DESCR: "4-slot Fabric Module"  
PID: N9K-C9504-FM-G , VID: V00 , SN: FOC24432RRW  
  
NAME: "Slot 28", DESCR: "Supervisor Module"  
PID: N9K-SUP-B , VID: V02 , SN: FOC211761M5  
  
NAME: "Slot 30", DESCR: "System Controller"  
PID: N9K-SC-A , VID: V01 , SN: FOC22040SGR  
  
NAME: "Power Supply 3", DESCR: "Nexus9000 C9504 (4 Slot) Chassis Power Supply"  
PID: N9K-PAC-3000W-B , VID: V03 , SN: DTM220700SY  
  
NAME: "Power Supply 4", DESCR: "Nexus9000 C9504 (4 Slot) Chassis Power Supply"  
PID: N9K-PAC-3000W-B , VID: V03 , SN: DTM220700T3  
  
NAME: "Fan 2", DESCR: "Nexus9000 C9504 (4 Slot) Chassis Fan Module"  
PID: N9K-C9504-FAN , VID: V01 , SN: FOX2149P6Y3  
  
NAME: "Fan 3", DESCR: "Nexus9000 C9504 (4 Slot) Chassis Fan Module"  
PID: N9K-C9504-FAN , VID: V01 , SN: FOX2414P24S  
switch#
```

## Displaying Fabric Utilization Information

You can display information about hardware capacity in the module by using the **show hardware capacity** command. This information includes total fabric bandwidth, utilization ingress and egress, module type,

bootup status, MAC addresses, serial numbers, software versions, and hardware versions. You can use this command in the following ways to display information about all of the installed modules or a specific module:

- For information on all modules, use the **show hardware capacity** command.
- For information on a specific supervisor, system controller, line card, or fabric module, use the **show hardware capacity slot\_number** command to specify a slot number.



**Note** To determine the slots to specify, use the **show inventory** command.



**Note** This command reports on only software-controlled modules, such as supervisors, system controllers, line cards, fabric modules, fan trays, and power supplies. It does not report on modules that are not controlled by software, such as blank modules installed in empty slots to control airflow.

Use the **show hardware capacity [fabric-utilization]** command to display information about all of the installed modules or for the module that you specify by its slot number.

This example shows how to display information about all the modules installed in a chassis.

```
switch# show hardware capacity fabric-utilization
-----
Mod      Total Fabric      Utilization
      Bandwidth      Ingress % Egress %
-----
1         4800Gbps         64.92    64.91
2         4800Gbps         49.63    50.98
3         4800Gbps         68.47    67.84
4         4800Gbps         69.13    71.75
21        3200Gbps         76.49    76.49
22        3200Gbps         76.98    76.98
23        3200Gbps         71.46    71.46
24        3200Gbps         71.67    71.67
25        3200Gbps         75.77    75.77
26        3200Gbps         75.72    75.72

sraja-140-fretta4#

switch#
switch# sh module
Mod Ports      Module-Type      Model
Status
-----
1      36      36p 100G Ethernet Module      N9K-X9636C-RX      ok
2      36      36p 100G Ethernet Module      N9K-X9636C-RX      ok
3      36      36p 100G Ethernet Module      N9K-X9636C-RX      ok
4      36      36p 100G Ethernet Module      N9K-X9636C-RX      ok
21     0       Fabric Module      N9K-C9504-FM-R      ok
22     0       Fabric Module      N9K-C9504-FM-R      ok
23     0       Fabric Module      N9K-C9504-FM-R      ok
24     0       Fabric Module      N9K-C9504-FM-R      ok
25     0       Fabric Module      N9K-C9504-FM-R      ok
26     0       Fabric Module      N9K-C9504-FM-R      ok
27     0       Supervisor Module      N9K-SUP-B
active *
28     0       Supervisor Module      N9K-SUP-B
```

```

ha-standby
29 0 System Controller N9K-SC-A
active
30 0 System Controller N9K-SC-A
standby

```

Mod	Sw	Hw	Slot
1	9.2(0.189)	0.102	LC1
2	9.2(0.189)	0.102	LC2
3	9.2(0.189)	0.102	LC3
4	9.2(0.189)	0.102	LC4
21	9.2(0.189)	0.2	FM1
22	9.2(0.189)	0.2	FM2
23	9.2(0.189)	0.2	FM3
24	9.2(0.189)	0.2	FM4
25	9.2(0.189)	0.3	FM5
26	9.2(0.189)	0.3	FM6
27	9.2(0.189)	1.0	SUP1
28	9.2(0.189)	2.1	SUP2
29	9.2(0.189)	1.6	SC1
30	9.2(0.189)	1.6	SC2

Mod	MAC-Address(es)	Serial-Num
1	00-27-e3-97-2e-ec to 00-27-e3-97-2f-8d	JAE211803P5
2	a0-3d-6f-2b-04-18 to a0-3d-6f-2b-04-b9	JAE211404Y3
3	00-27-e3-97-1f-98 to 00-27-e3-97-20-39	JAE211803NB
4	00-27-e3-97-2f-8e to 00-27-e3-97-30-2f	JAE211803MF
21	NA	JAE213204GM
22	NA	JAE213204GL
23	NA	JAE213204GQ
24	NA	JAE213204GB
25	NA	JAE213905SS
26	NA	JAE213905SH
27	08-96-ad-9a-e3-d8 to 08-96-ad-9a-e3-e9	FOC2107587T
28	18-80-90-94-43-fa to 18-80-90-94-44-0b	FOC2132545C
29	NA	FOC21453MCY
30	NA	FOC21417HDX

Mod	Online Diag Status
1	Pass
2	Pass
3	Pass
4	Pass
21	Pass
22	Pass
23	Pass
24	Pass
25	Pass
26	Pass
27	Pass
28	Pass
29	Pass
30	Pass

```

* this terminal session
switch#

```

## Displaying the Backplane and Serial Number Information

You can display the backplane information, including the serial number for the switch by using the **show sprom backplane** command.



**Note** The following example shows the contents of the first instance of the backplane SPROM.

```
switch# show sprom backplane 1
DISPLAY backplane sprom contents:
Common block:
Block Signature : 0xabab
Block Version   : 3
Block Length    : 160
Block Checksum  : 0x15a3
EEPROM Size     : 65535
Block Count     : 5
FRU Major Type  : 0x6001
FRU Minor Type  : 0x0
OEM String      : Cisco Systems, Inc.
Product Number  : N9K-C9504
Serial Number   : SAL17257PBN
Part Number     : 73-15298-01
Part Revision   : 1
Mfg Deviation   : 0
H/W Version     : 0.2010
Mfg Bits        : 0
Engineer Use    : 0
snmpOID        : 0.0.0.0.0.0.0.0
Power Consump   : 0
RMA Code        : 0-0-0-0
CLEI Code       : 12345678
VID            : V01
Chassis specific block:
Block Signature : 0x6001
Block Version   : 3
Block Length    : 39
Block Checksum  : 0x42c
Feature Bits    : 0x0
HW Changes Bits : 0x0
Stackmib OID    : 0
MAC Addresses   : 00-22-bd-f6-ce-70
Number of MACs  : 128
OEM Enterprise  : 9
OEM MIB Offset  : 5
MAX Connector Power: 0
WWN software-module specific block:
Block Signature : 0x6005
Block Version   : 1
Block Length    : 0
Block Checksum  : 0x66
wwn usage bits:
00 00 00 00 00 00 00 00
00 00 00 00 00 00 00 00
00 00 00 00 00 00 00 00
00 00 00 00 00 00 00 00
00 00 00 00 00 00 00 00
00 00 00 00 00 00 00 00
00 00 00 00 00 00 00 00
```

```

00 00 00 00 00 00 00 00
00 00 00 00 00 00 00 00
00 00 00 00 00 00 00 00
00 00 00 00 00 00 00 00
00 00 00 00 00 00 00 00
00 00 00 00 00 00 00 00
00 00 00 00 00 00 00 00
00 00 00 00 00 00 00 00
00 00 00 00 00 00 00 00
00 00 00 00 00 00 00 00
00 00 00 00 00 00 00 00
00 00 00 00 00 00 00 00
00 00 00 00 00 00 00 00
00 00 00 00 00 00 00 00
00 00 00 00 00 00 00 00
00 00 00 00 00 00 00 00
00 00 00 00 00 00 00 00
00 00 00 00 00 00 00 00
00 00 00 00 00 00 00 00
00 00 00 00 00 00 00 00
00 00 00 00 00 00 00 00
00 00 00 00 00 00 00 00
00 00 00 00 00 00 00 00
00 00 00 00 00 00 00 00
00 00 00 00 00 00 00 00
00 00 00 00 00 00 00 00
00 00 00 00 00 00 00 00
00 00
License software-module specific block:
Block Signature : 0x6006
Block Version   : 1
Block Length    : 16
Block Checksum  : 0x77
lic usage bits:
00 00 00 00 00 00 00 00
Second Serial number specific block:
Block Signature : 0x6007
Block Version   : 1
Block Length    : 28
Block Checksum  : 0x34a
Serial Number   : SAL17257PBN
switch#
    
```

## Displaying Environmental Information for the Switch

You can display all the environment-related switch information by using the **show environment** command.

```

switch# show environment
Power Supply:
Voltage: 12.0 Volts
    
```

Power Supply	Model	Actual Output (Watts )	Total Capacity (Watts )	Status
1	N9K-PUV-3000W-B	0 W	3000 W	shut
2	N9K-PAC-3000W-B	753 W	3000 W	ok
3	N9K-PUV-3000W-B	0 W	3000 W	shut
4	N9K-PAC-3000W-B	760 W	3000 W	ok

Module	Model	Actual Draw (Watts )	Power Allocated (Watts )	Status
--------	-------	----------------------	--------------------------	--------

```

-----
3          N9K-X9732C-EX          210 W          720 W          Powered-Up
4          N9K-X9736C-FX          434 W          900 W          Powered-Up
23         N9K-C9504-FM-E          152 W          312 W          Powered-Up
24         N9K-C9504-FM-E          148 W          312 W          Powered-Up
26         N9K-C9504-FM-E          147 W          312 W          Powered-Up
27         N9K-SUP-B+              30 W           72 W           Powered-Up
28         N9K-SUP-B+              N/A W          72 W           Powered-Up
29         N9K-SC-A                12 W           24 W           Powered-Up
30         N9K-SC-A                13 W           24 W           Powered-Up
fantray1   N9K-C9504-FAN          38 W           132 W          Powered-Up
fantray2   N9K-C9504-FAN          30 W           132 W          Powered-Up
fantray3   N9K-C9504-FAN          36 W           132 W          Powered-Up

```

N/A - Per module power not available

Power Usage Summary:

```

-----
Power Supply redundancy mode (configured)          Non-Redundant (combined)
Power Supply redundancy mode (operational)         Non-Redundant (combined)

Total Power Capacity (based on configured mode)    6000 W
Total Power of all Inputs (cumulative)              6000 W
Total Power Output (actual draw)                   1513 W
Total Power Allocated (budget)                     3360 W
Total Power Available for additional modules        2639 W
switch#

```

## Displaying the Current State of a Module

You can display information about modules that are installed in the switch chassis by using the **show module** command. This information includes module type, bootup status, MAC addresses, serial numbers, software versions, and hardware versions. You can use this command in the following ways to display information about all the installed modules or a specific module:

- For information on all modules, use the **show module** command.
- For information on a specific supervisor, system controller, line card, or fabric module, use the **show module slot\_number** command to specify a slot number.




---

**Note** To determine the slots to specify, use the **show inventory** command.

---




---

**Note** This command reports on only software-controlled modules, such as supervisors, system controllers, line cards, fabric modules, fan trays, and power supplies. It doesn't report on modules that are not software controlled, such as blank modules installed in empty slots to control airflow.

---

This table provides descriptions of the module status that is displayed with the **show module** commands.



Line Card State	Description
powered up	The hardware has electrical power. When the hardware is powered up, the software begins booting.
testing	The module has established connection with the supervisor and the module is performing bootup diagnostics.
initializing	The diagnostics have completed successfully and the configuration is being downloaded.
failure	The switch detects a module failure upon initialization and automatically attempts to power-cycle the module three times. After the third attempt, the module powers down.
ok	The switch is ready to be configured.
power-denied	The switch detects insufficient power for a line card to power up.
active	This module is the active supervisor or system controller module and the switch is ready to be configured.
HA-standby	The HA switchover mechanism is enabled on the standby supervisor module.
standby	The switchover mechanism is enabled on the standby system controller module.

Use the **show module** [*slot\_number*] command to display information about all the installed modules or for the module that you specify by its slot number.

This example shows how to display information about all the modules that are installed in a chassis.

```

switch# show module
Mod  Ports  Module-Type                               Model                               Status
---  ---
1    52     16x10G + 32x10/25G + 4x100G Module    N9K-X96136YC-R                     ok
4    36     36p 40G Ethernet Module               N9k-X9636PQ                         ok
20   0      Fabric Module                          N9k-X9504-FM-R                      ok
22   0      Fabric Module                          N9K-C9504-FM-R                      ok
24   0      Fabric Module                          N9K-C9504-FM-R                      powered-dn
26   0      Fabric Module                          N9K-C9504-FM-R                      powered-dn
27   0      Supervisor Module                      N9K-SUP-B                           active *
28   0      Supervisor Module                      N9K-SUP-B                           ha-standby
29   0      System Controller                      N9K-SC-A                             active
30   0      System Controller                      N9K-SC-A                             standby

Mod  Power-Status  Reason
---  ---
24   powered-dn    Configured Power down
26   powered-dn    Configured Power down

Mod  Sw          Hw
---  ---
4    6.1(4.11)   0.1010
22   6.1(4.11)   0.1010
27   6.1(4.11)   0.3011
28   6.1(4.11)   1.0
29   6.1(4.11)   0.2010
30   6.1(4.11)   0.2010

Mod  MAC-Address(es)                               Serial-Num
---  ---
4    00-22-bd-f8-2a-83 to 00-22-bd-f8-2a-b6    SAL17257AHD
    
```

```

22 00-00-00-00-00-00 to 00-00-00-00-00-00 SAL17194HVX
24 00-00-00-00-00-00 to 00-00-00-00-00-00 SAL17194HRK
26 00-00-00-00-00-00 to 00-00-00-00-00-00 SAL17194HSR
27 00-22-bd-f6-9d-58 to 00-22-bd-f6-9d-69 SAL17184072
28 00-22-bd-fc-04-b0 to 00-22-bd-fc-04-c1 SAL1739DAUL
29 00-00-00-00-00-00 to 00-00-00-00-00-00 SAL17225YFS
30 00-00-00-00-00-00 to 00-00-00-00-00-00 SAL17225YG8

```

```

* this terminal session
switch#

```



**Note** This example shows how to display information about a module in a specific slot (slot 4) of the chassis.

```

switch# show module 4
Mod  Ports  Module-Type                Model                Status
---  ---
4    36      36p 40G Ethernet Module    N9k-X9636PQ         ok

Mod  Sw                Hw
---  ---
4    6.1(4.11)         0.1010

Mod  MAC-Address(es)                Serial-Num
---  ---
4    00-22-bd-f8-2a-83 to 00-22-bd-f8-2a-b6  SAL17257AHD
switch#

```

## Displaying Temperatures for a Module

You can display temperature readings for module temperature sensors by using the **show environment temperature** command. System controllers, supervisors, line cards, and fabric modules have temperature sensors with two thresholds:

- Minor temperature threshold—When a minor threshold is exceeded, a minor alarm occurs and the following actions occur for all four sensors:
  - Displays system messages
  - Sends Call Home alerts (if configured)
  - Sends SNMP notifications (if configured)
- Major temperature threshold—When a major threshold is exceeded, a major alarm occurs and the following actions occur:
  - For sensors 1, 3, and 4 (outlet and on-board sensors), the following actions occur:
    - Displays system messages.
    - Sends Call Home alerts (if configured).
    - Sends SNMP notifications (if configured).
  - For sensor 2 (intake sensor), the following actions occur:
    - If the threshold is exceeded in a switching module, only that module is shut down.

- If the threshold is exceeded in an active supervisor module with HA-standby or standby present, only that supervisor module is shut down and the standby supervisor module takes over.
- If you do not have a standby supervisor module in your switch, you have up to 2 minutes to decrease the temperature. During this interval, the software monitors the temperature every 5 seconds and continuously sends system messages as configured.



**Tip** We recommend that you install dual supervisor modules. If you are using a switch without dual supervisor modules, we recommend that you immediately replace the fan module if just one fan is not working.



**Note** A threshold value of -127 indicates that no thresholds are configured or applicable.



**Note** This command reports on only software-controlled modules, such as supervisors, system controllers, line cards, fabric modules, fan trays, and power supplies. It reports on modules that are not controlled by software, such as blank modules installed in empty slots to control airflow.

Use the **show environment temperature** command to display the temperature readings for each of the powered-up modules.

```
switch# show environment temperature
Temperature:
-----
Module   Sensor           MajorThresh      MinorThres      CurTemp        Status
        (Celsius)        (Celsius)        (Celsius)
-----
4        CPU               105              95              32             Ok
4        TD2-1            105              95              41             Ok
4        TD2-2            105              95              41             Ok
4        TD2-3            105              95              41             Ok
4        VRM-1            110              100             41             Ok
4        VRM-2            110              100             45             Ok
4        VRM-3            110              100             40             Ok
22       CPU               105              95              34             Ok
22       TD2-1            105              95              45             Ok
22       TD2-2            105              95              41             Ok
22       VRM-1            110              100             49             Ok
22       VRM-2            110              100             47             Ok
27       OUTLET           75               55              29             Ok
27       INLET            60               42              20             Ok
27       CPU               90               80              27             Ok
28       OUTLET           75               55              27             Ok
28       INLET            60               42              22             Ok
28       CPU               90               80              33             Ok
29       CPU               105              95              40             Ok
30       CPU               105              95              34             Ok
switch#
```

## Connecting to a Module

You can connect to any module by using the **attach module** *slot\_number* command. When the module prompt appears, you can obtain further details about the module by using module-specific commands in EXEC mode.

You can also use the **attach module** command to display the standby supervisor module information, although you cannot configure the standby supervisor module using this command.



---

**Note** To see which slots are filled with modules, use the **show inventory** command.

---

Use the **attach module** *slot\_number* command to get direct access to a specific module.

This example shows how to attach to the supervisor in slot 28.

```
switch# attach module 28
Attaching to module 28 ...
To exit type 'exit', to cancel type '$.'
Cisco Nexus Operating System (NX-OS) Software
TAC support: http://www.cisco.com/tac
Copyright (c) 2002-2013, Cisco Systems, Inc. All rights reserved.
The copyrights to certain works contained in this software are
owned by other third parties and used and distributed under
license. Certain components of this software are licensed under
the GNU General Public License (GPL) version 2.0 or the GNU
Lesser General Public License (LGPL) Version 2.1. A copy of each
such license is available at
http://www.opensource.org/licenses/gpl-2.0.php and
http://www.opensource.org/licenses/lgpl-2.1.php
switch(standby) #
```



---

**Note** To exit the module-specific prompt, use the **exit** command.

---



---

**Tip** If you are not accessing the switch from a console terminal, this command is the only way to access the standby supervisor module.

---



---

**Note** This command reports on only software-controlled modules, such as supervisors, system controllers, line cards, fabric modules, fan trays, and power supplies. It reports on modules that are not controlled by software, such as blank modules installed in empty slots to control airflow.

---

## Saving the Module Configuration

To save the new configuration to nonvolatile storage, use the **copy running-config startup-config** command from EXEC mode. Once you enter this command, the running and the startup copies of the configuration are identical.

The following table lists various scenarios when module configurations are preserved or lost.

Scenario	Result
A particular switching module is removed and you used the <b>copy running-config startup-config</b> command.	The configured module information is lost.
A particular switching module is removed and a different switching module is replaced and you used the <b>copy running-config startup-config</b> command.	The configured module information is lost.
A particular switching module is removed and the same switching module is replaced before you enter the <b>copy running-config startup-config</b> command again.	The configured module information is preserved.
A particular switching module is removed and replaced with the same type switching module, and you entered the <b>reload module slot_number</b> command.	The configured module information is preserved.
A particular switching module is reloaded when you enter the <b>reload module slot_number</b> command.	The configured module information is preserved.

## Shutting Down or Starting Up a Module

You can shut down a module by using the **poweroff module** command to specify the module by its slot number in the chassis.

You can power up a module by using the **no poweroff module** command to specify the module by its slot number in the chassis.



**Note** To determine the slot number for a module, use the **show inventory** command.



**Note** You can use this command with software-controlled modules, such as supervisors, system controllers, line cards, fabric modules, fan trays, and power supplies. It does not work with modules that are not controlled by software, such as blank modules installed in empty slots to control airflow.

**Step 1** Use the **configure terminal** to enter the global configuration mode.

**Example:**

```
switch# configure terminal
switch(config)#
```

**Step 2** Shut down (or alternatively power up) a specific module by entering the **[no] poweroff module slot\_number** command.

**Example:**

```
switch(config)# poweroff module 3
switch(config)#
```

**Example:**

```
switch(config)# no poweroff module 3
switch(config)#
```

## Purging a Nonfunctioning Module from the Running Configuration

Verify that either the system controller, line card, or fabric slot is empty or that the module that is installed in the slot is powered down.

You can clear the running configuration for a system controller, line card, or fabric slot (slots 1 to 30) that is not functioning. To clear the configuration, use the purge module command in EXEC mode.



**Note** This command does not work on supervisor slots or on any line card slot that currently has a powered-up module or on blank modules. Use the **purge module slot\_number running-config** command to clear the running configuration for the specified line card slot.

```
switch# purge module 4 running-config
```

For example, suppose that you create an IP storage configuration with a line card in slot 3 of Switch A. This module uses an IP address. You decide to remove this line card module and move it to Switch B, and you no longer need the IP address. If you try to configure this unused IP address, you receive an error message that prevents you from proceeding with the configuration. In this case, you enter the **purge module 3 running-config** command to clear the old configuration in Switch A before using the IP address.

## Displaying Power Usage Information

To display the power usage information for the entire switch, use the **show environment power** command. This command shows the power usage for the power consuming modules that are installed in the switch.



**Note** Power usage is reserved for both supervisor modules regardless of whether one or both supervisor modules are present.

Use the **show environment power** command to display power usage information for the switch. The following example shows the output for a 3-kW AC power supply.

```
switch# show environment power
Power Supply:
Voltage: 12 Volts
```

Power Supply	Model	Actual Output (Watts )	Actual Input (Watts )	Total Capacity (Watts )	Status
1	N9K-PAC-3000W-B	517 W	566 W	3000 W	Ok
2	-----	0 W	0 W	0 W	Absent
3	-----	0 W	0 W	0 W	Absent
4	N9K-PAC-3000W	0 W	0 W	0 W	Shutdown

Module	Model	Actual Draw (Watts )	Power Allocated (Watts )	Status
4	N9k-X9636PQ	177.00 W	399.60 W	Powered-Up
22	N9K-C9504-FM-R	118.00 W	300.00 W	Powered-Up
24	N9K-C9504-FM-R	N/A	0.00 W	Powered-Dn
26	N9K-C9504-FM-R	N/A	0.00 W	Powered-Dn
27	N9K-SUP-B	47.00 W	79.92 W	Powered-Up
28	N9K-SUP-B	45.00 W	79.92 W	Powered-Up
29	N9K-SC-A	12.00 W	60.00 W	Powered-Up
30	N9K-SC-A	23.00 W	60.00 W	Powered-Up
fan1	N9K-C9504-FAN	47 W	225.00 W	Powered-Up
fan2	N9K-C9504-FAN	48 W	225.00 W	Powered-Up
fan3	N9K-C9504-FAN	47 W	249.00 W	Powered-Up

N/A - Per module power not available

Power Usage Summary:

Power Supply redundancy mode (configured )	Non-Redundant (combined )
Power Supply redundancy mode (operational )	Non-Redundant (combined )
Total Power Capacity (based on configured mode)	3000.00 W
Total Power of all Inputs (cumulative)	3000.00 W
Total Power Output (actual draw)	517.00 W
Total Power Input (actual draw)	566.00 W
Total Power Allocated (budget)	1728.24 W
Total Power Available for additional modules	1271.76 W

switch#

## Reload a Module

You can reset a module by using the **reload module slot\_number** command and specifying the module by its slot number in the chassis.



**Caution** Reloading a module disrupts traffic through the module.



**Note** To see which slots are filled with modules, use the **show inventory** command.



---

**Note** These commands report on only software-controlled modules, such as supervisors, system controllers, line cards, fabric modules, fan trays, and power supplies. Modules that are uncontrolled by software, such as blank modules installed in empty slots to control airflow are not reported on.

---

**Step 1** Use the **configure terminal** command to enter the global configuration mode.

**Example:**

```
switch# configure terminal
switch(config)#
```

**Step 2** Use the **reload module slot\_number** command to specify the slot number of the module to reset.

**Example:**

```
switch(config)# reload module 4
This command will reload module 4. Proceed[y/n]? [n] y
reloading module 4 ...
switch(config)#
```

---

## Rebooting a Switch

You can reboot or reload the switch by using the **reload** command without any options.



---

**Note** If you use the **reload** command, be sure to save the running configuration first by using the **copy running-config startup-config** command.

---

**Step 1** Use the **configure terminal** command to enter the global configuration mode.

**Example:**

```
switch# configure terminal
switch(config)#
```

**Step 2** Use the **copy running-config startup-config** command to save the running configuration.

**Example:**

```
switch(config)# copy running-config startup-config
```

**Step 3** Use the **reload** command to reload the switch.

**Example:**

```
switch(config)# reload
```

---



# Overview of Supervisor Modules

The switch has one or two supervisor modules of the following types:

- Supervisor A (N9K-SUP-A) modules with four cores, 4 executable threads, 16 GB of memory, and 64 GB of SSD)
- Supervisor A+ (N9K-SUP-A+) with four cores, 8 executable threads, 1.8 GHz, 16 GB of memory, and 64 GB of SSD
- Supervisor B (N9K-SUP-B) with six cores, 12 executable threads, 2.2 GHz, 24 GB of memory, and 256 GB of SSD
- Supervisor B+ (N9K-SUP-B+) with six cores, 12 executable threads, 1.9 GHz, 32 GB of memory, and 256 GB of SSD

When a switch has two supervisors, one supervisor is automatically active while the other is in standby mode. If the active supervisor goes down or is disconnected for replacement, the standby supervisor automatically becomes active. If you replace one of two installed supervisor modules with another module, you can do so without interrupting operations. The supervisor that you are not replacing becomes the active supervisor and retains the kickstart configuration while you replace the other supervisor. If the switch has just one supervisor, you can install the new supervisor in the open supervisor slot during operations. You can make that supervisor active after the installation.



**Note** If there are two supervisors that are installed in the chassis, both must be the same type as shown in the following table:

**Table 2:**

Active Supervisor	Standby Supervisor	Is Combination Allowed?
Supervisor A	Supervisor A	Yes
Supervisor B	Supervisor B	Yes
Supervisor A+	Supervisor A+	Yes
Supervisor B+	Supervisor B+	Yes

A Cisco Nexus 9504 chassis with -R line cards requires supervisor B or B+ modules.

Supervisor modules are automatically powered up and started with the switch.

To understand the terms that are used for the supervisors, see the following table.

Module Terms	Usage	Description
module-27 and module-28	Fixed	<ul style="list-style-type: none"> <li>• Module-27 refers to the supervisor module in chassis slot 27 (labeled as SUP 1 on the chassis).</li> <li>• Module-28 refers to the supervisor module in chassis slot 28 (labeled as SUP 2 on the chassis).</li> </ul>

Module Terms	Usage	Description
sup-1 and sup-2	Fixed	<ul style="list-style-type: none"> <li>• sup-1 refers to the supervisor module in the SUP 1 slot (slot 27 in the CLI output).</li> <li>• sup-2 refers to the supervisor module in the SUP 2 slot (slot 28 in the CLI output).</li> </ul>
sup-active and sup-standby	Relative	<ul style="list-style-type: none"> <li>• sup-active refers to the active supervisor module—relative to the slot that contains the active supervisor module.</li> <li>• sup-standby refers to the standby supervisor module—relative to the slot that contains the standby supervisor module.</li> </ul>
sup-local and sup-remote	Relative	<p>If you are logged into the active supervisor, the following applies:</p> <ul style="list-style-type: none"> <li>• sup-local refers to the active supervisor module.</li> <li>• sup-remote refers to the standby supervisor module.</li> </ul> <p>If you are logged into the standby supervisor, the following applies:</p> <ul style="list-style-type: none"> <li>• sup-local refers to the standby supervisor module (the one that you are logged into).</li> <li>• There is no sup-remote available from the standby supervisor module (you cannot access a file system on the active supervisor).</li> </ul>

## Overview of Power Modes

You can configure the power modes to either use (redundancy mode for when there is a power loss, or the combined power that is provided by the installed power supply units (no power redundancy):

### ***n+1* redundancy mode**

This mode allocates one power supply as a reserve power supply in case an available power supply fails. The remaining power supplies are allocated for available power. The reserve power supply must be at least as powerful as each power supply used for the available power. You activate this mode by using the **ps-redundant** command.

For example, if a switch requires 2.0 kW of available power and the switch has three power supplies that each output 3 kW, then one of the power supplies provides 3.0 kW of available power and one power supply provides 3.0 kW of reserve power in case a power supply fails.

### ***n+n* redundancy mode**

This mode insures load sharing, but the budget becomes half the total PSU capacity. Use a different power source for the active and reserve power sources. So that if the power source that is used for active

power fails, the reserve power supply can provide power for the switch. You activate this mode by using the **insrc-redundant** command.

For example, if the switch requires 4.0 kW of power, the switch has four power supplies that each output 3 kW. If you have two power grids, you use both grid A and grid B to power four 3-kW power supplies that provide the available power for the switch.

### Combined mode

This mode allocates the combined power of all power supplies to active power for switch operations. This mode does not allocate reserve power for power redundancy in case of power outages or power supply failures. This mode is not recommended for production.

The amounts of available and reserve power depend on the power redundancy mode that you specify. The amounts of available and reserve power also depends on the number of power supplies that are installed in the switch. For each redundancy mode, consider the following:

### $n+1$ redundancy mode

The power supply that outputs the most power provides the reserve power so that it can take over for any other power supply that fails. All the other installed power supplies provide the available power. You activate this power mode by using the **power redundancy-mode ps-redundant** command.

- Scenario 1—No added power supplies

One 3-kW power supply provides the reserve power and the other 3-kW power supply, also outputting 3.0 kW, provides the available power. The available power (3.0 kW) does not meet the switch requirements of 5.2 kW, so the switch powers up except for some of its line cards.

- Scenario 2—Adding one 3-kW power supply

One 3-kW power supply, which outputs 3.0 kW, provides the reserve power and the other two 3-kW power supplies, also outputting 3.0 kW each, provide enough power (6.0 kW) to meet the switch requirements (5.2 kW), so the entire switch powers up.

The following table shows the results for each scenario.

Scenario	Power Requirement	Output (kW) for Power Supplies			Available Power	Reserve Power
		1	2	3		
1	5.2 kW	3.0 kW	3.0 kW	—	3.0 kW	3.0 kW
2	5.2 kW	3.0 kW	3.0 kW	3.0 kW	6.0 kW	3.0 kW

For grid redundancy mode, the power supplies must be divided into two equal sets and installed as follows:

- Slots PS 1 and PS 2 must be connected to one grid (Grid A)
- Slots PS 3 and PS 4 must be connected to another grid (Grid B)

### *n*+*n* redundancy mode

Half of the 3-kW power supplies are connected to one power source (grid) and the other half are connected to another power source. The available power is provided by one power source and the reserve power is provided by the other power source. If the power source that provides the available power fails, the switch uses the reserve power source to provide its required power. You activate this power mode by using the **power redundancy-mode insrc\_redundant** command.

For example, if the power requirement for a switch is 5.2 kW and the switch has two power supplies that output 3 kW, consider the following power planning scenarios:

- Scenario 1—No added power supplies

The available power is 3.0 kW (output from one 3-kW power supply) and the reserve power is 3.0 kW (output from the other power supply). The available power (3.0 kW) does not meet the switch requirements (5.2 kW), so most of the modules power up but some of the line cards will not be able to power up.

- Scenario 2—Adding two 3-kW power supplies

The available power is 6.0 kW (output from two 3-kW power supplies on grid A) and the reserve power is 6.0 kW (output from the other two power supplies on grid B). The available power (6.0 kW) exceeds the power requirement of the switch (5.2 kW), so the entire switch can power up.

The following table shows the results for each scenario.

Scenario	Power Requirement	Output for Power Supplies				Available Power	Reserve Power
		1	2	3	4		
1	5.2 kW	3.0 kW	3.0 kW	—	—	3.0 kW	3.0 kW
2	5.2 kW	3.0 kW	3.0 kW	3.0 kW	3.0 kW	6.0 kW	6.0 kW

### Combined mode

The Total Power Capacity equals the combined output of all installed power supplies. There is no reserve power. You activate this mode by using the **power redundancy-mode combined** command. If the Total Power Allocated (budget) for a switch is 5.2 kW and the switch has one 3-kW power supply with 220-V input and 3.0-kW output, consider the following power planning scenarios:

- Scenario 1—No added power supplies

If you do not add a power supply unit, the available power (3.0 kW) is insufficient for the switch power requirement of 5.2 kW. The switch powers the supervisor modules, system controllers, fan trays, and at least one fabric module before powering as many of the fabric and line cards as the remaining available power can support (one or more fabric or line cards might not be powered).

- Scenario 2—Install an extra 3-kW power supply

If you install an extra 3-kW power supply unit that can output 3.0 kW, the available power becomes 6.0 kW. The increased amount of available power exceeds the switch power requirement of 5.2 kW, so all the modules and fan trays in the switch can power up.

The following table shows the results for each scenario.

Scenario	Power Requirement	Power Supply 1 Output	Power Supply 2 Output	Available Power	Reserve Power	Result
1	5.2 kW	3.0 kW	—	3.0 kW	—	Available power is less than power requirement. You cannot power up all modules (some of the modules are unable to power up).
2	5.2 kW	3.0 kW	3.0 kW	6.0 kW	—	Available power is greater than power requirement. All modules can power up.

## Setting the Power Mode

You can configure the power supply mode by using the **power redundancy-mode** command.



**Note** To display the current power supply configuration, use the **show environment power** command.

### Before you begin

For grid redundancy mode, the power supplies must be divided into two equal sets and installed as follows:

- Slots PS 1 and PS 2 must be connected to one grid (Grid A).
- Slots PS 3 and PS 4 must be connected to another grid (Grid B).

**Step 1** Use the **configure terminal** command to enter the global configuration mode.

#### Example:

```
switch# configure terminal
switch(config)#
```

**Step 2** Use the **power redundancy-mode mode** command to specify one of the following power modes:

- For combined mode, include the **combined** keyword.
- For  $n+1$  redundancy mode, include the **ps-redundant** keyword.
- For  $n+n$  redundancy mode, include the **insrc-redundant** keyword.

#### Example:

```
switch(config)# power redundancy-mode insrc-redundant
switch(config)#
```

---

## Overview of Fan Trays

Fan trays provide airflow through the switch for cooling. Each fan tray contains multiple fans to provide redundancy. The switch can continue functioning in the following situations:

- One or more fans fail within a fan tray—Even with multiple fan failures, the switch can continue functioning. When a fan fails within a tray, the functioning fans in the module increase their speed to compensate for the failed fans.
- The fan tray is removed for replacement—The fan tray is removed and replaced while the switch is operating without presenting an electrical hazard or damage to the switch. The switch can operate for three minutes without the fan tray that you are replacing, but if the switch air-inlet temperature is less than 86 degrees Fahrenheit (30 degrees Celsius), you have up to 72 hours to replace the fan tray. Because temperatures can change over time, we recommend that you replace the fan tray within three minutes.
- If you remove more than one fan tray at a time, the switch can operate up to three minutes before shutting down. To prevent a shutdown, remove only one fan tray at a time.



---

**Note** When a fan fails or when you remove a fan tray, the remaining operating fans speed up to compensate for the loss of fans. This process can increase the noise that is made by the fan trays until you replace the missing fan tray or replace the defective fan tray.

---



---

**Note** When replacing a failed fan tray in a running system, be sure to replace the fan tray promptly.

---



---

**Tip** If one or more fans fail within a fan tray, the Fan Status LED turns red. A fan failure could lead to temperature alarms if not corrected immediately.

---

The software is continuously monitoring the fan status. In a fan failure, the following actions occur:

- System messages are displayed.
- Call Home alerts are sent (if configured).
- SNMP notifications are sent (if configured).

To display the fan module statuses, see [Displaying the Status for the Fan Trays, on page 69](#).



---

**Note** The fan trays fill slots FAN 1, FAN 2, and FAN 3 in the chassis.

---

## Displaying the Status for the Fan Trays

You can display the status of the fan trays by using the **show environment fan** command.

```
switch# show environment fan
Fan:
-----
Fan           Model           Hw           Status
-----
Fan1(sys_fan1) N9K-C9504-FAN    0.5020      Ok
Fan2(sys_fan2) N9K-C9504-FAN    0.5020      Ok
Fan3(sys_fan3) N9K-C9504-FAN    0.5010      Ok
Fan_in_PS1    --              --           Ok
Fan_in_PS2    --              --           None
Fan_in_PS3    --              --           None
Fan_in_PS4    --              --           None
Fan Zone Speed: Zone 1: 0x0
Fan Air Filter : NotSupported
switch#
```



---

**Note** If the status is not reported for a fan tray and the status LED is not lit for that installed fan tray, check to be sure that there is a fabric module that is installed behind the fan tray.

---







## CHAPTER 6

# Replacing or Installing Modules, Fan Trays, and Power Supplies

---

- [Preventing Electrostatic Damage, on page 71](#)
- [Installing or Replacing a Supervisor Module, on page 71](#)
- [Installing or Replacing a System Controller Module, on page 75](#)
- [Installing or Replacing a Line Card, on page 78](#)
- [Installing and Removing a Blank Line Card, on page 81](#)
- [Replacing a Fan Tray, on page 83](#)
- [Replacing a Fabric Module, on page 85](#)
- [Installing or Replacing Power Supplies, on page 91](#)
- [Migrating the Switch from Using 40-Gigabit Line Cards to Using 100-Gigabit -EX/-FX Line Cards, on page 104](#)
- [Migrating the Switch to 400-Gigabit -GX Line Cards, on page 105](#)

## Preventing Electrostatic Damage

To prevent electrostatic damage (ESD) to electronic components, you must be sure that you are grounded while handling electronic components. Components include, but are not limited to all switch modules.

### Before you begin

The switch must be connected to the facility earth ground.

- 
- Step 1** Attach an ESD wristband to your arm and be sure that it touches your skin.
  - Step 2** Attach the alligator clip on the other end of the strap to the grounding cable for the switch.
  - Step 3** Verify that the grounding cable is attached to the facility earth ground.
- 

## Installing or Replacing a Supervisor Module

The switch can operate with one or two supervisor modules that are installed in the chassis.

When you remove the active supervisor, the switch automatically makes the other supervisor active. But, all modules in the switch are reset because the switchover is stateless. If the switch has two installed supervisor modules, the standby supervisor module is hot-swappable during replacement. It is recommended to move the spine to Graceful Insertion and Removal (GIR) mode, or maintenance mode for the above activities.



**Note** If there are two supervisors that are installed in the chassis, both must be the same type as shown in the following table:

Active Supervisor	Standby Supervisor	Is Combination Allowed?
Supervisor A	Supervisor A	Yes
Supervisor B	Supervisor B	Yes
Supervisor A+	Supervisor A+	Yes
Supervisor B+	Supervisor B+	Yes

A Cisco Nexus 9504 chassis with -R line cards requires supervisor B or B+ modules.



**Warning** **Statement 1034**—Backplane Voltage

Hazardous voltage or energy is present on the backplane when the system is operating. Use caution when servicing.



**Warning** **Statement 1029**—Blank Faceplates and Cover Panels

Blank faceplates and cover panels serve three important functions: they prevent exposure to hazardous voltages and currents inside the chassis; they contain electromagnetic interference (EMI) that might disrupt other equipment; and they direct the flow of cooling air through the chassis. Do not operate the system unless all cards, faceplates, front covers, and rear covers are in place.

### Before you begin

- Wear an electrostatic discharge (ESD) wrist strap or other ESD protective device while handling modules.
- Prepare an antistatic surface or packing materials for each module that you remove from the chassis.

**Step 1** Open the packaging for the new supervisor module. Inspect the module for damage. Verify that the module is the same type as the other supervisor module installed in the chassis.

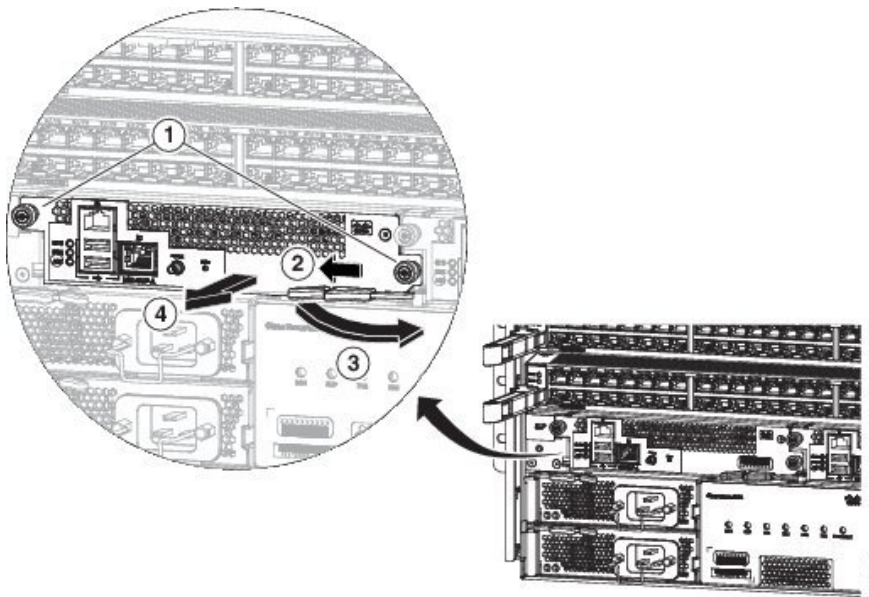
If the module is damaged, alert the Technical Assistance Center (TAC).

**Step 2** If you are installing the module in an empty slot, remove the blank module that is already in that slot. Unscrew its captive screw and pull it out of the slot. Go to Step 4.

**Step 3** If you are replacing a module that is currently in the chassis, remove the existing module from the chassis by following these steps:

- a) Disconnect and label the following cables from the module:
  - Console cable
  - Ethernet Management cable
- b) If there are any external drives that are attached to the module through its USB ports, detach those drives.
- c) Slide the middle section of the ejector handle toward the end of the handle and rotate the handle away from the front of the module. See Callouts 1 and 2 in the following figure.

The module unseats its connectors from the midplane and moves slightly out of the chassis.



1	Unscrew two captive screws until each 1 is no longer attached to the chassis.	3	Rotate the ejector lever away from the module.
2	Slide the middle handle toward the end of the ejector lever.	4	Pull on the lever to slide the module part way out of the chassis. Release the lever, hold the front of the module, and pull the module all the way out of the chassis.

- d) Use one hand to hold the front of the module, place your other hand under the module to support its weight, and pull the module out of the chassis. Set it on an antistatic surface or inside an antistatic bag.

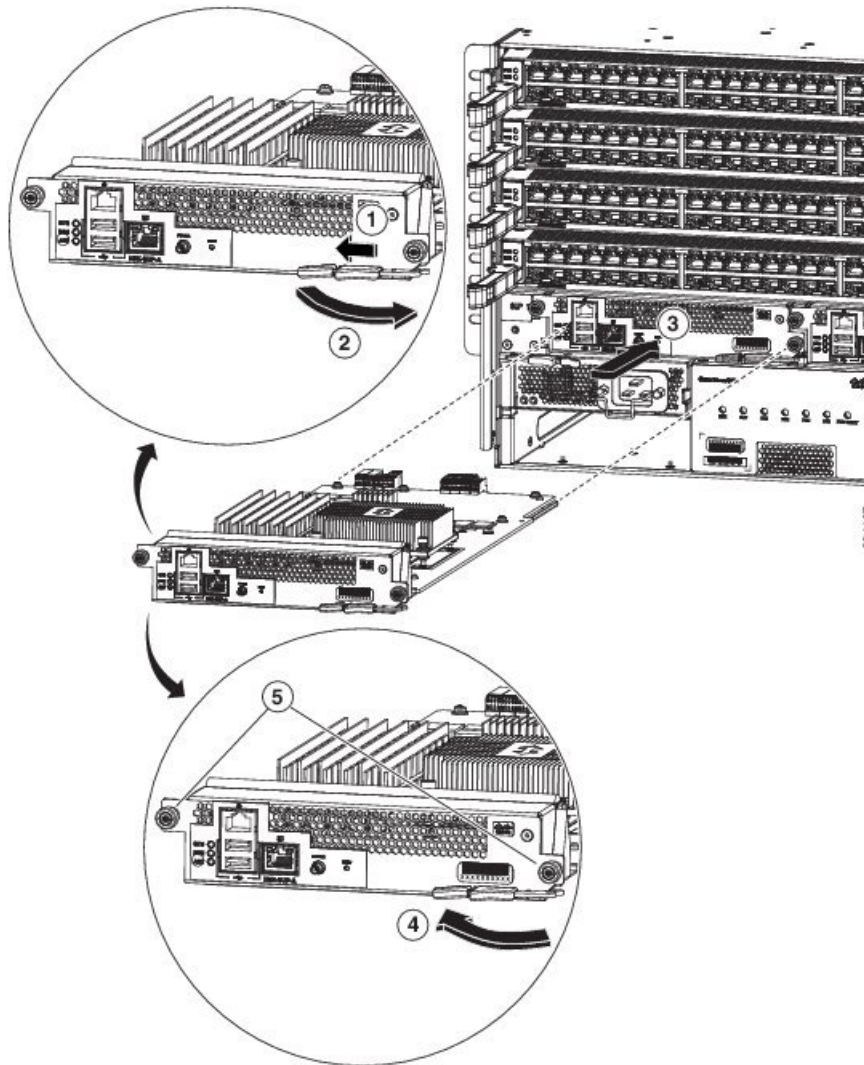
**Step 4** To install the new module, follow these steps:

- a) Pull the middle section of the ejector handle toward the end of the handle and rotate the handle away from the front of the module.

This action opens the lever so that the module can be fully inserted into the slot.

- b) Hold the front of the module with one hand and place your other hand under the module to support its weight.
- c) Align the back of the module to the guides in the open supervisor slot and slide the module all the way into the slot. See the following figure.

The module stops when its front is about 0.25 inches (0.6 cm) outside the front of the chassis.



1	Slide the middle handle toward the end of the ejector lever.	4	Rotate the ejector lever to the front of the chassis.
2	Rotate the ejector lever away from the module.	5	Secure the chassis to the module by screwing in 2 captive screws and tighten them to 8 in-lb (0.9 N·m) of torque.
3	Slide the back end of the module into the open supervisor slot.		

d) Rotate the lever all the way to the front of the chassis until it locks in place with a click.

Make sure that the lever engages behind the front of the slot so that the module fully seats onto the connectors on the midplane.

e) Screw in the two captive screws to secure the module to the chassis. Tighten the screws to 8 in-lb (0.9 N·m) of torque.

- f) Attach the following cables to the module:
- Console cable—Attach to the Console port.
  - Management cable—Attach to the Management Ethernet port.
- g) Verify that the supervisor module LEDs turn on and appear as follows:
- The Status (STS) LED is green.
  - The Active (ACT) LED is amber or green.

## Upgrading a Supervisor Module

You can upgrade supervisor modules by using the hot swap method. The upgrade path for your active supervisor module can be found in the following table:

Active Supervisor	Allowed Upgrade
Supervisor A	Supervisor A+
Supervisor A	Supervisor B+
Supervisor B	Supervisor B+

**Step 1** Insert the new supervisor module in the empty slot.

**Step 2** Bring up the new supervisor module:

- a) If the newly inserted supervisor module becomes stuck in the loader prompt, use the `reload module <x> force-dnld` command on the active supervisor module. This action brings up the new supervisor module.
- b) If the newly inserted supervisor module has an older BIOS (<5.20), and is unable to boot, you will have to upgrade the BIOS. Use the `flwr tftp|usb<x>://<ip>/img_name1` command, from the newly inserted supervisor module loader prompt. Then use the `reload module <x> force-dnld` command from the active supervisor module to bring up the new supervisor module.

**Step 3** Once the new supervisor module has been brought up in `ha-stby` mode, do a copy `r s`. Then issue a system switchover.

## Installing or Replacing a System Controller Module

The switch can operate with one or two system controller modules that are installed in the chassis. You can replace one system controller module while there is another one installed in the chassis.



**Warning** **Statement 1034**—Backplane Voltage

Hazardous voltage or energy is present on the backplane when the system is operating. Use caution when servicing.

**Warning Statement 1029**—Blank Faceplates and Cover Panels

Blank faceplates and cover panels serve three important functions: they prevent exposure to hazardous voltages and currents inside the chassis; they contain electromagnetic interference (EMI) that might disrupt other equipment; and they direct the flow of cooling air through the chassis. Do not operate the system unless all cards, faceplates, front covers, and rear covers are in place.

**Before you begin**

- Wear an electrostatic discharge (ESD) wrist strap or other ESD protective device while handling modules.
- Prepare an antistatic surface or packing materials for each module that you remove from the chassis.

**Step 1** Open the packaging for the new system controller module and inspect the module for damage.

If the module is damaged, alert the Technical Assistance Center (TAC).

**Step 2** If you are installing the module in an empty slot, remove the blank module that is already in that slot. Unscrew its captive screw and pull it out of the slot. Go to Step 4.

**Step 3** If you are replacing a module that is currently in the chassis, remove the existing module from the chassis by following these steps:

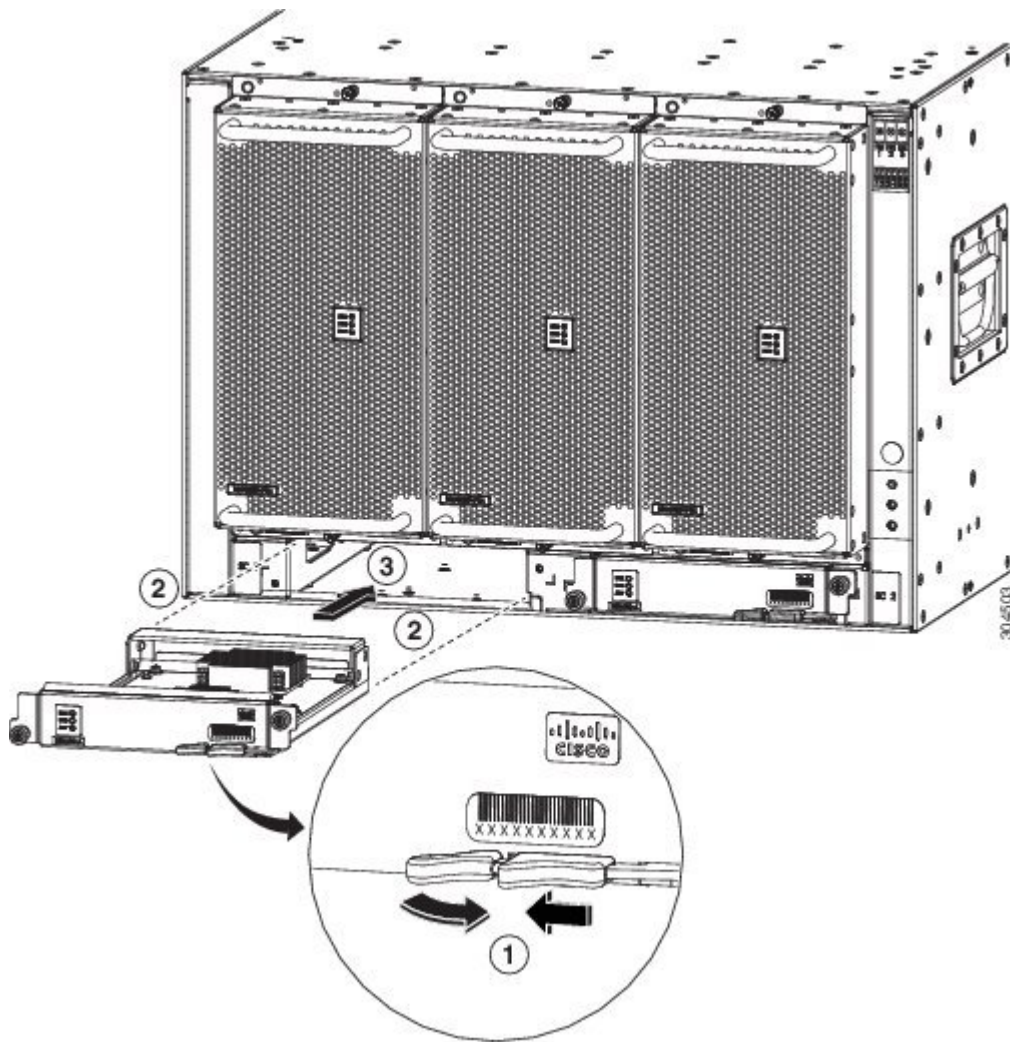
- a) Unscrew the two captive screws (one on each side of the module) until the screws are no longer in contact with the chassis.
- b) Slide and hold the middle handle on the ejector lever toward the end of the lever.
- c) Rotate the ejector lever away from the front of the module.

As you rotate the lever, the module unseats from the midplane and moves slightly forward.

- d) Use the lever to pull the module a couple of inches (about 5 cm) out of the slot.
- e) Use one hand to hold the front of the module, place your other hand under the module to support its weight, pull the module out of the chassis. Set it on an antistatic surface or inside an antistatic bag.

**Step 4** To install the new module, follow these steps:

- a) Slide and hold the middle handle on the ejector lever toward the end of the lever. See the following figure.



1	Slide the middle handle on the ejector lever to the end of the lever and rotate the lever away from the module.	3	Slide the module all the way into the chassis.
2	Align the back of the module to the open slot in the chassis.		

- b) Hold the front of the module with one hand and place your other hand under the module to support it.
- c) Align the back of the module to the guides in the open controller slot and slide the module all the way into the slot. The module stops when its front is about 0.25 inches (0.6 cm) outside the front of the chassis.
- d) Rotate the ejector lever all the way to the front of the chassis until it locks in place with a click. The module is fully seated on the midplane.
- e) Screw in the two captive screws to secure the module to the chassis. Tighten each of these screws to 8 in-lb (0.9 N·m) of torque.

- f) Verify that the Status (STS) LED turns on and becomes green.

## Installing or Replacing a Line Card

The switch can operate with one or more line cards that are installed in the chassis. If there is at least one line card that is installed and operating in the chassis, you can replace another line card or install a new line card in an empty line card slot.




---

**Warning** **Statement 1029**—Blank Faceplates and Cover Panels

Blank faceplates and cover panels serve three important functions: they prevent exposure to hazardous voltages and currents inside the chassis; they contain electromagnetic interference (EMI) that might disrupt other equipment; and they direct the flow of cooling air through the chassis. Do not operate the system unless all cards, faceplates, front covers, and rear covers are in place.




---

**Warning** **Statement 1034**—Backplane Voltage

Hazardous voltage or energy is present on the backplane when the system is operating. Use caution when servicing.




---

**Warning** **Statement 1051**—Laser Radiation

Invisible laser radiation may be emitted from disconnected fibers or connectors. Do not stare into beams or view directly with optical instruments.

---

**Before you begin**

- Wear an electrostatic discharge (ESD) wrist strap or other ESD protective device while handling modules.
- Prepare an antistatic surface or packing materials for each module that you remove from the chassis.

---

**Step 1** Open the packaging for the new line card and inspect the module for damage.

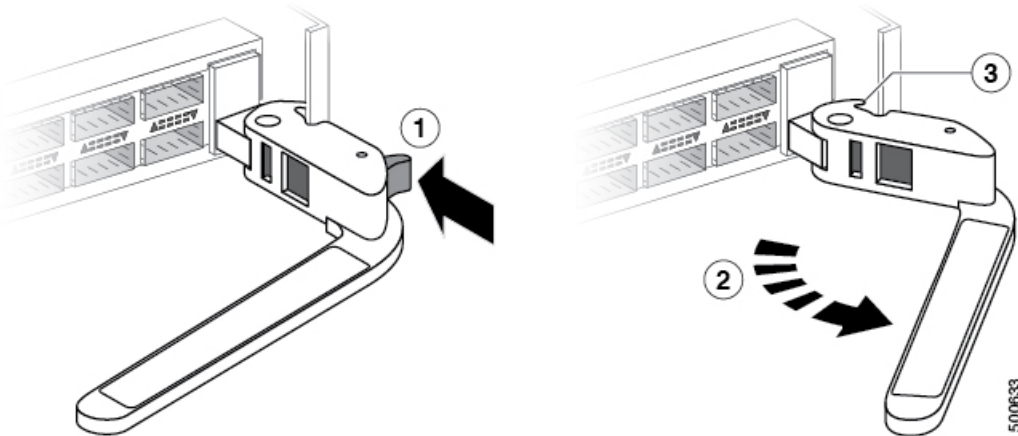
If the module is damaged, contact the Technical Assistance Center (TAC).

**Step 2** If you are installing the module in an empty slot, remove the blank module that is already in that slot. Unscrew its two captive screws and pull it out of the slot. Go to Step 4.

**Step 3** If you are replacing a module that is currently in the chassis, remove the existing module from the chassis by following these steps:

- Disconnect and label each of the interface cables from the module.
- Push and hold the release button on both ejector levers and then rotate both levers 45 degrees from the module as shown in the following figure.

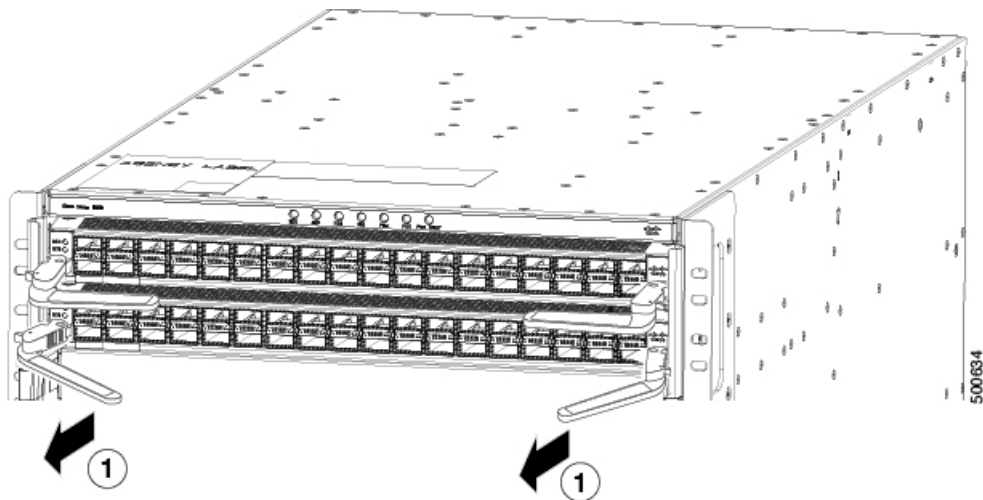




1	Fully press and hold the release button on each ejector lever.	3	When the lever is fully rotated away from the module, the knob at the other end of the lever can no longer hold the module in the slot.
2	Fully rotate both ejector levers away from the module.		

**Caution** To prevent damage to the ejector lever, you must press and hold the release button on each ejector lever before rotating the lever 45 degrees from the module.

c) Pull both levers to slide the line card out of its slot in the chassis as shown in the following figure.

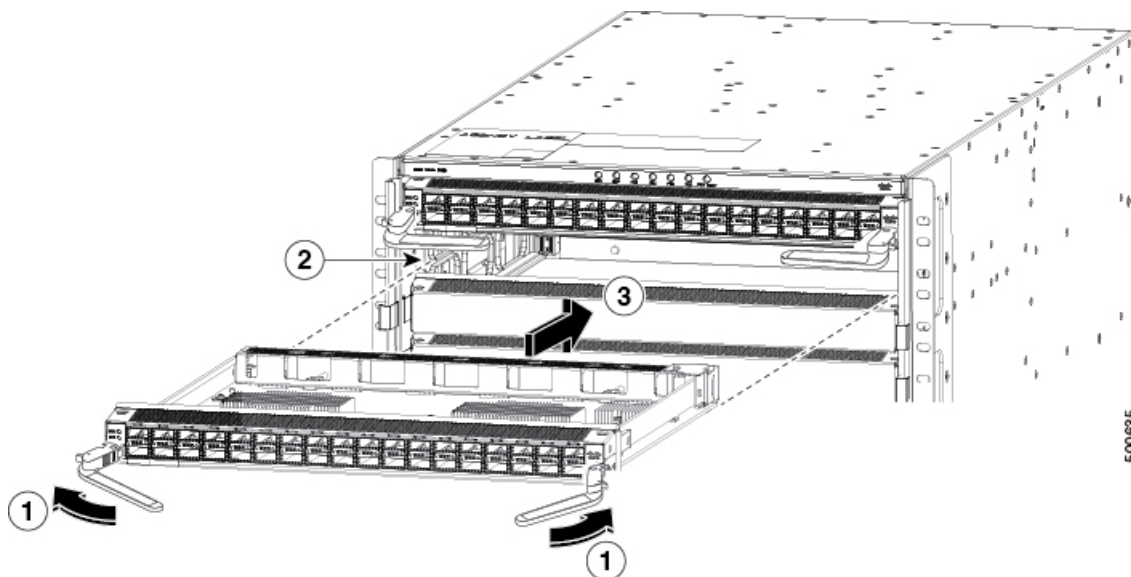


1	Pull both levers to remove the line card from the chassis.		
---	--	--	--

d) Use one hand to hold the front of the line card, place your other hand under the line card to support its weight. Pull the line card out of the chassis, and set it on an antistatic surface or inside an antistatic bag.

**Step 4** To install the new line card, follow these steps:

a) Press and hold the release button on both ejector levers. Rotate the end of each lever away from the chassis as shown in the following figure.



1	Press the release button on each lever and rotate the lever away from the line card.	3	Gently push the line card into the slot until it stops with the front of the line card nearly at the front of the chassis.
2	Align the back of the module to the open slot with the bottom of the line card sliding into guides on each side of the slot.		

- b) Hold the front of the line card with one hand and place your other hand under the line card to support its weight.
- c) Align the back of the line card to the guides in the open line card slot. Gently slide the module into the slot until it stops.

The line card stops when its front is about 0.25 inches (0.6 cm) outside the front of the chassis.

- d) Rotate the ends of the two levers toward the front of the chassis until the levers click and they secure the line card to the chassis.

As you rotate the levers, the line card seats itself onto the fabric modules inside the chassis. And the front of the line card moves all the way to the front of the chassis.

- e) Attach each interface cable to the appropriate port on the line card. Use the label on each cable to determine which port each cable attaches to.
- f) Verify that the line card LEDs turn on and appear as follows:
  - The Status (STS or STA) LED turns on and becomes green.
  - For each connected port, the port LED turns on and becomes green or amber.

# Installing and Removing a Blank Line Card

When a line card slot is not in use, a blank line card must fill the empty slot to allow the switch to conform to electromagnetic interference (EMI) emissions requirements and to allow proper airflow across the line cards.



---

**Warning** **Statement 1034**—Backplane Voltage

Hazardous voltage or energy is present on the backplane when the system is operating. Use caution when servicing.

---



---

**Warning** **Statement 1029**—Blank Faceplates and Cover Panels

Blank faceplates and cover panels serve three important functions: they prevent exposure to hazardous voltages and currents inside the chassis; they contain electromagnetic interference (EMI) that might disrupt other equipment; and they direct the flow of cooling air through the chassis. Do not operate the system unless all cards, faceplates, front covers, and rear covers are in place.

---



---

**Warning** **Statement 1051**—Laser Radiation

Invisible laser radiation may be emitted from disconnected fibers or connectors. Do not stare into beams or view directly with optical instruments.

---

---

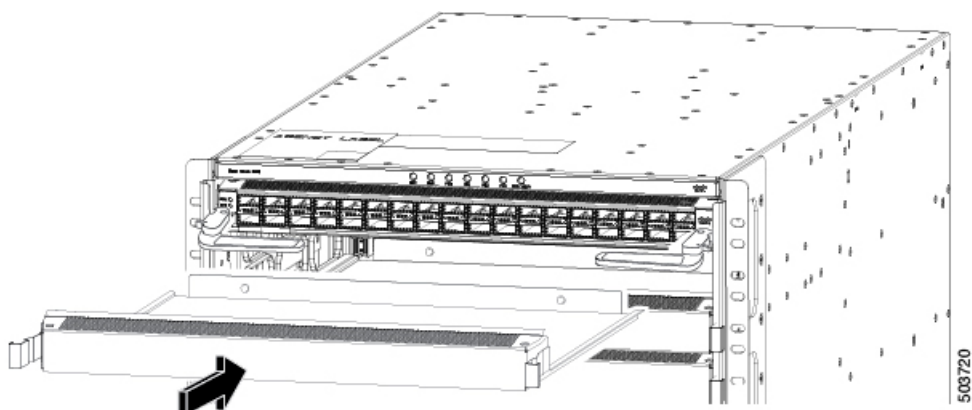
**Step 1**

This procedure shows how to insert a blank line card in a line card slot:

- a) Hold the front of the blank line card with one hand and place your other hand under the blank line card.
- b) Align the back of the blank line card to the guides in the open line card slot and slide the blank line card all the way into the slot. The two latches on the sides of the blank line card should be locked onto the brackets on the side of the chassis.

**Note** To prevent jamming the blank line card between the upper and the lower edges of the slot make certain that the blank line card is positioned correctly, as shown in the following illustration.

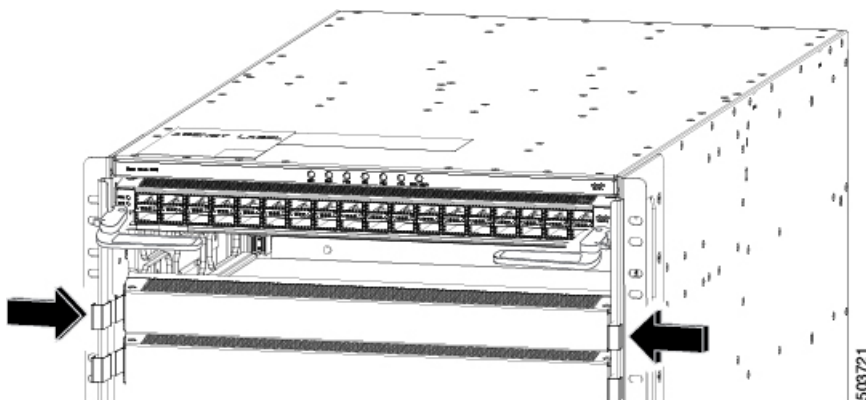
**Note** The latches are stiff and may require extra force to fully engage with the brackets on the sides of the chassis.

**Step 2**

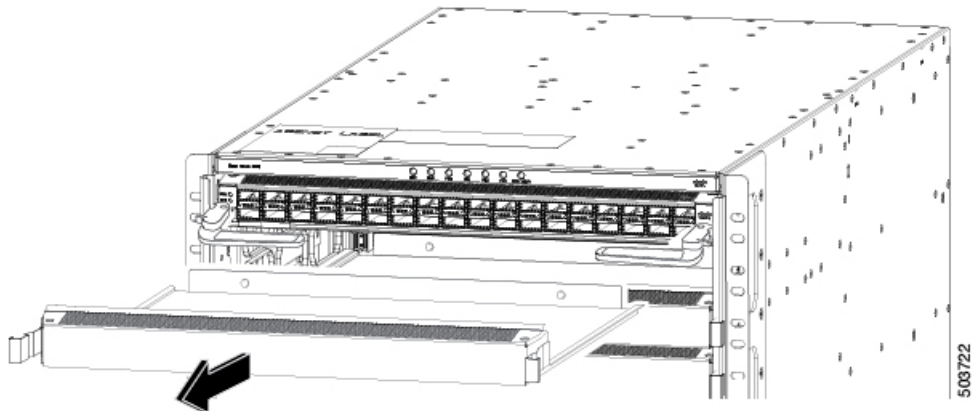
This procedure shows how to remove a blank line card in a line card slot:

- a) Press the two latches on the sides of a blank line card using forefingers so that the blank line card is unlocked from the brackets on the side of the chassis. Slightly pull out the blank line card.

**Note** The latches are stiff and may require extra force to fully disengage with the brackets on the sides of the chassis.



- b) Hold the blank line card using both the hands and pull the blank line card completely out of the chassis slot.



## Replacing a Fan Tray

You can remove a fan tray to either replace it with another fan tray or to replace a fabric module that is located behind it.

The switch uses three fan trays. It can operate with two fan trays while you replace one or remove one to replace one of the fabric modules behind the fan tray. When you remove one fan tray, the other fan trays speed up their fans to maintain the designed airflow.



---

**Note** If you cannot replace a fan tray within three minutes, we recommend that you leave it in the chassis until you are ready to replace it.

---



---

**Note** If you remove more than one fan tray at a time during operations, the switch allows up to two minutes of operations before shutting down. If the switch senses an overtemperature condition when multiple fan trays are removed, the shutdown can occur in less than two minutes.

---



---

**Warning** **Statement 1034**—Backplane Voltage

Hazardous voltage or energy is present on the backplane when the system is operating. Use caution when servicing.

---

## Removing a Fan Tray

Remove only one fan tray at a time during switch operations. The switch shuts down within two minutes.

### Before you begin

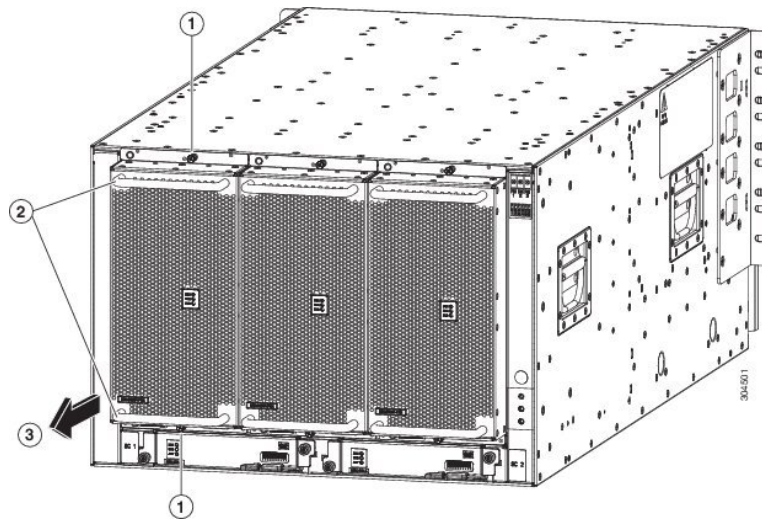
- Wear an electrostatic discharge (ESD) wrist strap or other ESD protective device while handling modules.
- Prepare an antistatic surface or packing materials for each module that you remove from the chassis.

---

**Step 1** Open the packaging for the new fan tray and inspect it for damage.

If the module is damaged, contact the Technical Assistance Center (TAC) and wait until you have an undamaged fan tray to install.

**Step 2** Unscrew the two captive screws on the front of the fan tray until each screw is free of the chassis. See the following figure.



1	Unscrew 4 captive screws (2 at the top of the module and 2 at the bottom of the module).	3	Pull on the fan tray to slide it out of the chassis. Set the fan tray on an antistatic surface.
2	Hold the 2 fan tray handles with both hands.		

**Step 3** Hold both handles on the front of the fan tray with both of your hands and pull the fan tray out of the slot.

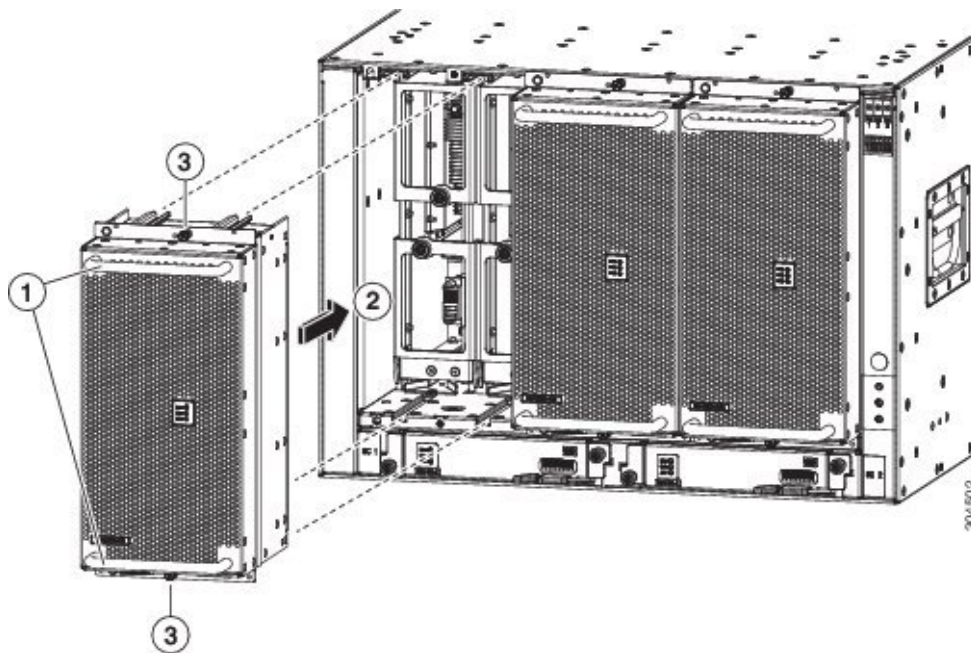
**Step 4** Set the fan tray on antistatic material or inside an antistatic bag.

## Installing a Fan Tray

### Before you begin

- Fan tray slot is open in the chassis.
- Fan tray is available for installation.
- If you are replacing a fabric module behind the open fan tray slot, that replacement operation is completed.

**Step 1** Use both of your hands to hold the two handles on the front of the fan tray that you are installing.



1	Hold the 2 fan tray handles with both hands.	3	Screw in 4 captive screws and tighten each screw to 8 in-lb (0.9 N·m) of torque.
2	Position the back of the fan tray to the open fan tray slot. The pins on the top and bottom of the fan tray align to holes in the chassis. The 2 sets of rails on the top of the fan tray align to 2 sets of tracks on the top of the open slot. Slide the fan tray all the way into the slot.		

- Step 2** Position the fan tray with its rear (the side with the electrical connectors) at the opening for the fan tray slot in the chassis.
- Step 3** Align the two tracks on the top of the fan tray with the two sets of rails at the top of the open fan tray slot in the chassis.
- Step 4** Slide the fan tray all the way into the slot until the front of the fan tray touches the chassis.  
Make sure that the four captive screws on the front of the fan tray align with the four screw holes in the chassis.
- Step 5** Screw in the four captive screws to secure the fan tray to the chassis. Tighten the screws to 8 in-lb (0.9 N·m) of torque.
- Step 6** Verify that the fan tray STATUS LED turns on and becomes green.

## Replacing a Fabric Module

The switch uses three to six fabric modules depending on the requirements of the line cards that are installed in the chassis.



**Note** Do not mix fabric module types in the same switch.




---

**Note** If you are downgrading the operating system, you must ensure both of the following:

- The new version of software supports the fabric modules and line cards, which are installed in the same switch.
  - The fabric modules that are installed in the switch, support the line cards that are installed in the same switch.
- 

The fabric modules must be installed in specific slots as follows (installing fabric modules in other slots can cause a module mismatch condition):

- For three modules, they must be in slots FM 2, FM 4, and FM 6.
- For four modules, they must be in slots FM2, FM 3, FM 4, and FM 6.
- For five modules, they must be in Slots FM 2, FM 3, FM 4, FM 5, and FM 6.
- For six modules, they are in slots FM 1, FM 2, FM 3, FM 4, FM 5, and FM 6

You can replace a fabric module while other fabric modules are operating by removing the fan tray in front of the fabric module. Remove the fabric module, then install the new fabric module, and replace the fan tray over the installed fabric module.

To maintain the designed airflow while you remove the fan tray, the fans in the other fan trays increase their speed. During operations, we recommend that you remove only one fan tray at a time and reinstall that fan tray within three minutes. This action avoids the possibility of having the switch overheat and shut down.




---

**Caution** If you remove more than one fan tray at a time, the switch shuts down if you do not reinstall the extra missing fan trays within two minutes. The shutdown can occur earlier if the switch over heats.

---

## Removing a Fabric Module

### Before you begin

- Wear an electrostatic discharge (ESD) wrist strap or other ESD protective device while handling modules.
- Prepare an antistatic surface or packing materials for each module that you remove from the chassis.
- Remove the fan tray that covers the fabric module that you are removing.

---

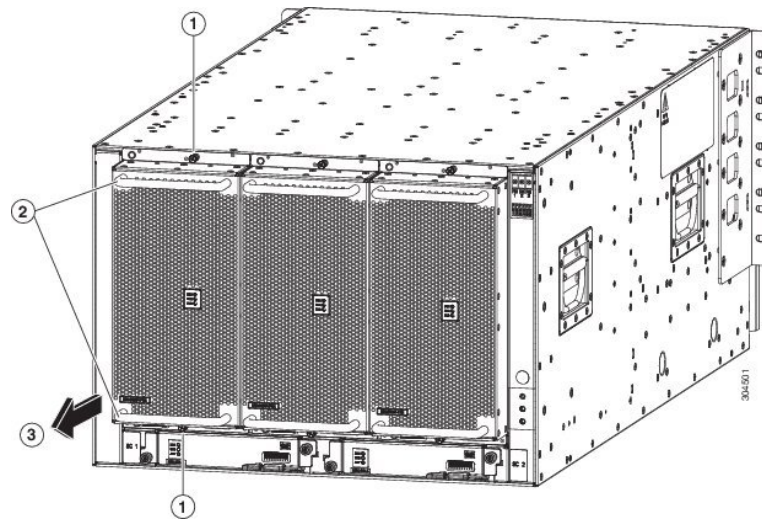
**Step 1** If you are replacing a fabric module, open the packaging for the new module and inspect it for damage.

If the module is damaged, alert the Technical Assistance Center (TAC) and stop this replacement process until you have an undamaged module to install.

**Step 2** Remove the fan tray that covers the fabric module by following these steps:

- a) Unscrew the two captive screws on the front of the fan tray until each screw is free of the chassis. See Callout 1 in the following figure.





1	Unscrew 2 captive screws (1 at the top of the module and 1 at the bottom of the module).	3	Pull on the fan tray to slide it out of the chassis. Set the fan tray on an antistatic surface.
2	Hold the 2 fan tray handles with both hands.		

- b) Hold both handles on the front of the fan tray with both of your hands and pull the fan tray out of the slot.
- c) Set the fan tray on antistatic material or inside an antistatic bag.

**Step 3**

To prevent a loss of packets during operations, shut down the fabric module as follows:

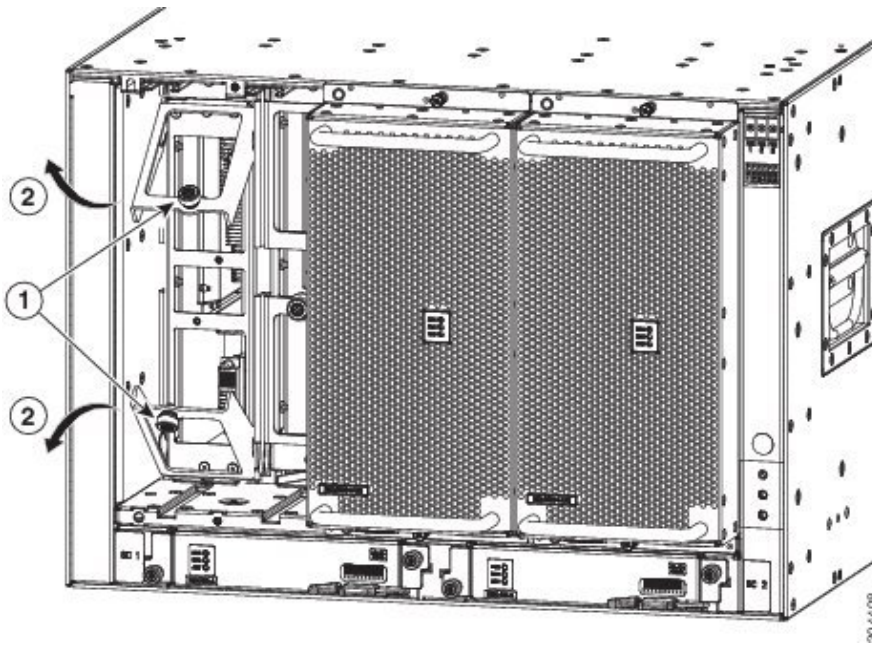
- a) Enter the **poweroff module slot\_number** command. Input a slot number between 21 and 26 (labeled as FM 1 to FM 6 on the chassis).
- b) Verify that the Fabric LED for the slot that you specified turns off.

**Step 4**

Remove the fabric module that you are replacing by following these steps:

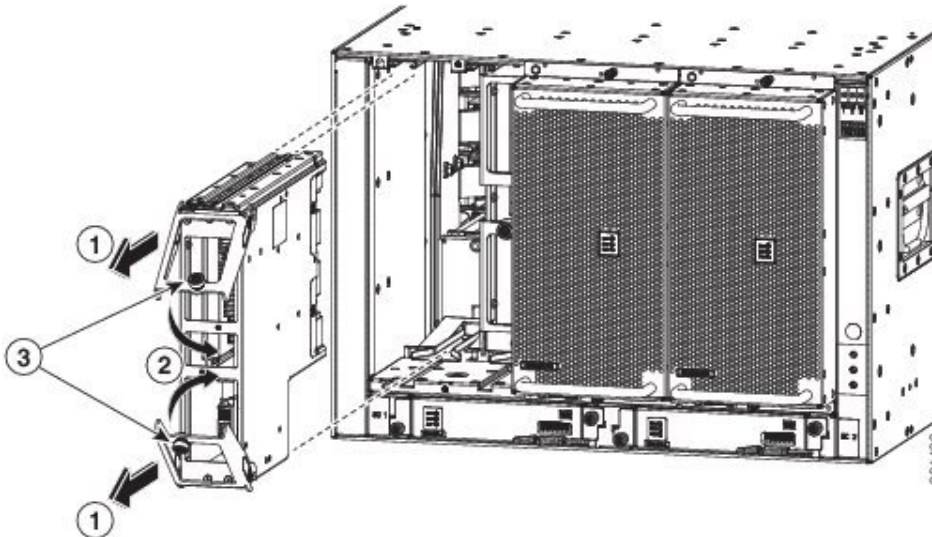
- a) Unscrew the screw on the center of each of the two handles on the fabric module. See Callout 1 in the following figure.

Removing a Fabric Module



1	Unscrew 2 captive screws (1 on each ejector handle).	2	Rotate both ejector handles away from the front of the fabric module.
---	--	---	---

- b) Rotate the two handles at least 30 degrees so that the other end of each handle no longer holds the module in the slot. See Callout 2 in the previous figure.
- c) With each of the two handles in your two hands, pull the module a couple of inches (about 5 cm) out of the slot. See the following figure.



1	Pull on both handles to remove the fabric module from the chassis.	3	Screw in the 2 captive screws (1 on each handle) to the module. Tighten each of these screws to 8 in-lb (0.9 N·m) of torque.
---	--	---	--

2	Rotate both ejector handles to the front of the module.	
---	---	--

- d) Rotate both handles back to the front of the module until they click in place. Fasten each handle to the module using the captive screw on the back of the handle. Tighten the screw to 8 in-lb (0.9 N·m) of torque. See Callouts 2 and 3 in the previous figure.
- e) Place one hand under the fabric module to support its weight. Place your other hand on the front of the module, and slide the module out of the slot.
- f) Rotate the module 90 degrees and lay it flat on an antistatic surface or in an antistatic bag.

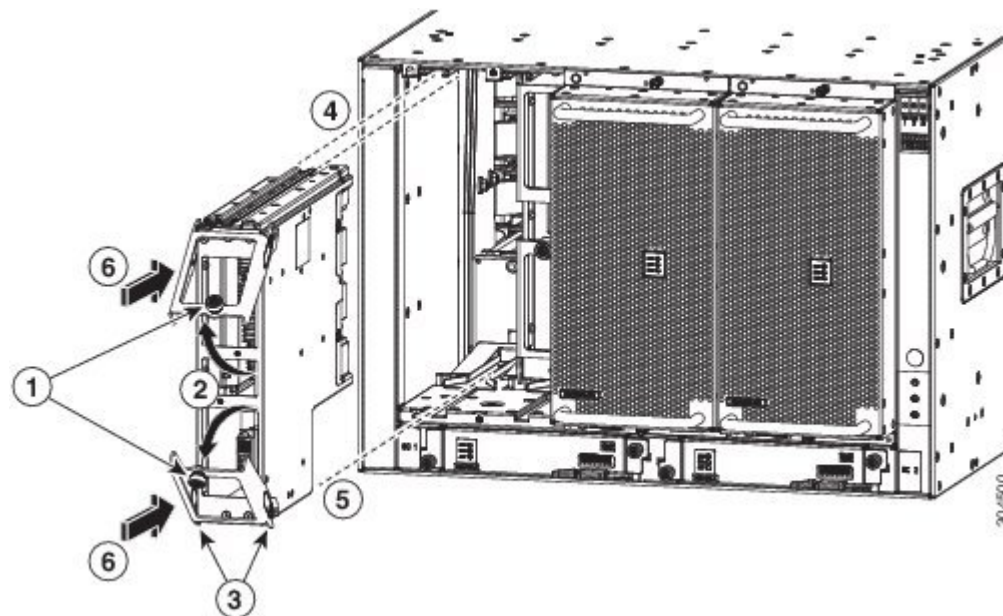
## Installing a Fabric Module

### Before you begin

- Wear an electrostatic discharge (ESD) wrist strap or other ESD protective device while handling modules.
- Prepare an antistatic surface or packing materials for each module that you remove from the chassis.
- Be sure that you are replacing a fabric module with the same type of fabric module. All the fabric modules that are installed in the switch must be the same type.

**Step 1** Place one hand on the front of the module and turn the module 90 degrees so that the electrical connectors are on the bottom.

**Step 2** Unscrew the two captive screws (one on each ejector handle) and rotate the ejector handles away from the chassis. See Callouts 1 and 2 in the following figure. Be sure that the locking posts on the top and bottom of the chassis rotate into the module so that the module can slide fully into the slot. See Callout 3 of the following figure.



1	Unscrew 2 captive screws (1 on each ejector handle).	4	Align the rails on the top of the module to the track on the top of the open slot.
2	Rotate both ejector handles away from the front of the module.	5	Align the bottom of the module so that it slides into the tracks on the bottom of the open slot.
3	Be sure that the locking posts fully rotate down into the module.	6	Slide the module all the way into the slot.

**Step 3** Fit the guide rails on the top of the module into the track on the top of the slot. Make sure that the guide bar on the bottom of the module goes into the module guide at the bottom of the slot.

Be sure that you are installing the fabric module in a supported fabric module slot. The supported fabric module slots differ depending on the number of fabric modules that are installed in the switch as follows:

- For three modules, they must be in slots FM 2, FM 4, and FM 6
- For four modules, they must be in slots FM2, FM 3, FM 4, and FM 6
- For five modules, they must be in Slots FM 2, FM 3, FM 4, FM 5, and FM 6.
- For six modules, they are in slots FM 1, FM 2, FM 3, FM 4, FM 5, and FM 6

**Step 4** Slide the module all the way into the slot.

**Step 5** Rotate both ejector levers to the front of the chassis and be sure that the module is locked to the top and bottom of the slot.

**Step 6** Screw in the captive screw on each of the two levers so that each lever is locked in place on the module. Tighten each screw to 8 in-lb (0.9 N·m) of torque.

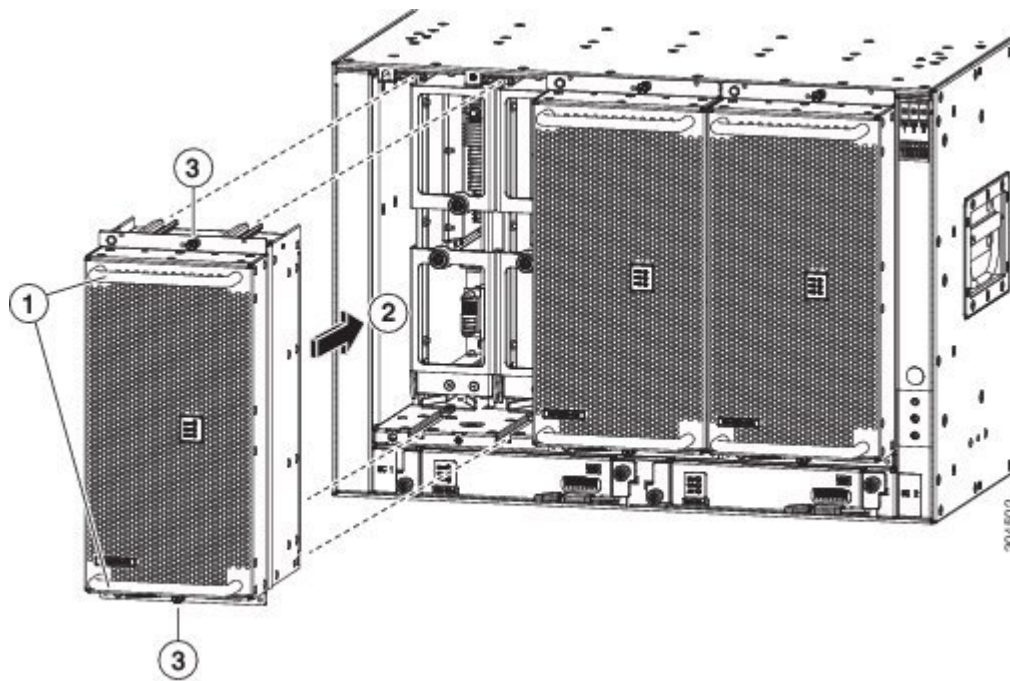
**Step 7** Power up the fabric module as follows:

- a) Enter the **no poweroff module** command. Input a slot number between 21 and 26 (labeled as FM 1 through FM 6 on the chassis).
- b) Verify that the Fabric LED for the slot that you specified turns on.

**Note** If you did not use the **poweroff module** command to shut down the original fabric module before removing it, do not use the **no poweroff module** command. The module begins to power up when you connect it to an AC power source and the chassis.

**Step 8** Reinstall the fan module over the replaced fabric module by following these steps:

- a) Use both of your hands to hold the two handles on the front of the fan tray that you are installing.



1	Hold the 2 fan tray handles with both hands.	3	Screw in 2 captive screws and tighten each screw to 8 in-lb (0.9 N·m) of torque.
2	Position the back of the fan tray to the open fan tray slot. The pins on the top and bottom of the fan tray align to holes in the chassis. The 2 sets of rails on the top of the fan tray align to 2 sets of tracks on the top of the open slot. Slide the fan tray all the way into the slot.		

- b) Position the fan tray with its rear (the side with the electrical connectors) at the opening for the fan tray slot in the chassis.
- c) Align the two tracks on the top of the fan tray with the two sets of rails at the top of the open fan tray slot in the chassis.
- d) Slide the fan tray all the way into the slot until the front of the fan tray touches the chassis.  
Make sure that the two captive screws on the front of the fan tray align with the two screw holes in the chassis.
- e) Screw in the two captive screws to secure the fan tray to the chassis. Tighten the screws to 8 in-lb (0.9 N·m) of torque.
- f) Verify that the fan tray and fabric module STATUS LEDs (on the fan tray) turn on and become green.

## Installing or Replacing Power Supplies

The number of 3-kW and 3.15-kW power supplies that you install depends on the power requirements of the switch. It also depends on the power mode that you are using. To determine the power requirements of the switch, see the [Power Requirements for Switch Modules, on page 113](#) section.

If you are using only one power source for the combined mode or  $n+1$  redundancy mode, you can install the power supplies in any of the power supply slots on the chassis. If you are using two power sources for the  $n+n$  redundancy mode, you must connect the power supplies in slots 1 and 2 to one power source and the power supplies in slots 3 and 4 to the other power source. With  $n+n$  redundancy mode, divide the power supplies evenly between the first half of the slots and the last half of the slots. The amount of redundant power for the switch equals the amount of available power for the switch.




---

**Warning** **Statement 1034**—Backplane Voltage

Hazardous voltage or energy is present on the backplane when the system is operating. Use caution when servicing.

---




---

**Warning** **Statement 1029**—Blank Faceplates and Cover Panels

Blank faceplates and cover panels serve three important functions: they prevent exposure to hazardous voltages and currents inside the chassis; they contain electromagnetic interference (EMI) that might disrupt other equipment; and they direct the flow of cooling air through the chassis. Do not operate the system unless all cards, faceplates, front covers, and rear covers are in place.

---

You can install or replace any of the following Cisco Nexus 9500 Series power supplies in this switch:

- 3-kW AC Power Supply
- 3-kW Universal AC/DC Power Supply
- 3.15-kW Dual Input Universal AC/DC Power Supply
- 3-kW DC Power Supply

## Installing or Replacing a 3-kW AC Power Supply

### Before you begin

- The AC power source must be installed within reach of the power cables.
- The AC power source meets the power specifications that the switch requires.
- There are one or two AC power sources available. If using  $n+n$  redundancy, there must be two power sources available. Otherwise, only one power source is required.

---

**Step 1** Open the packaging for the new 3-kW AC power supply and inspect the module for damage.

If the module is damaged, contact the Technical Assistance Center (TAC).

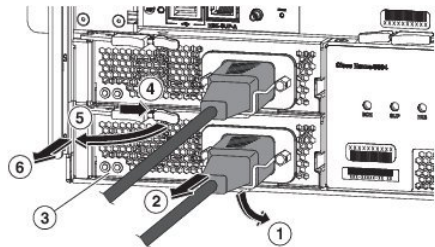
**Step 2** If you are installing the module in an empty slot, remove the blank filler plate that is already in that slot. Unscrew its captive screws and pull it out of the slot. If you are using the combined power mode or  $n+1$  redundancy, you can use any power supply slot in the chassis. If you are using  $n+n$  redundancy mode, you must be sure that you are inserting the power supply in a slot that is used for the desired power supply (the power supplies in slots 1 and 2 must be connected to one power source and the power supplies in slots 3 and 4 must be connected to the other power source). Go to Step 4.

**Step 3**

If you are replacing a power supply that is currently in the chassis, remove the existing module from the chassis by following these steps:

- a) Disconnect the power cable from the power supply and verify that the output and input LEDs turn off.
- b) Slide the middle of the ejector lever down to the end of the lever and rotate the lever up so that its other end no longer holds onto the chassis. See the following figure.

The power supply unlocks from the chassis and moves out slightly.



1	Rotate the cable retention clip away from the power cable plug.	4	Slide and hold the middle handle on the ejector lever toward the end of the lever.
2	Pull the power cable plug out of the receptacle.	5	Rotate the ejector lever away from the module.
3	Verify that the OK LED turns off.	6	Pull on the ejector lever to slide the power supply partially (2 inches [5 cm]) out of the chassis. Hold the front of the power supply and pull it all the way out of the chassis.

- c) Pull on the lever to move the power supply about 2 inches (5 cm) out of the slot.
- d) Place one hand on the front of the power supply and your other hand under the power supply to support its weight.
- e) Pull the module out of the slot and place it on an antistatic surface or inside an antistatic bag.

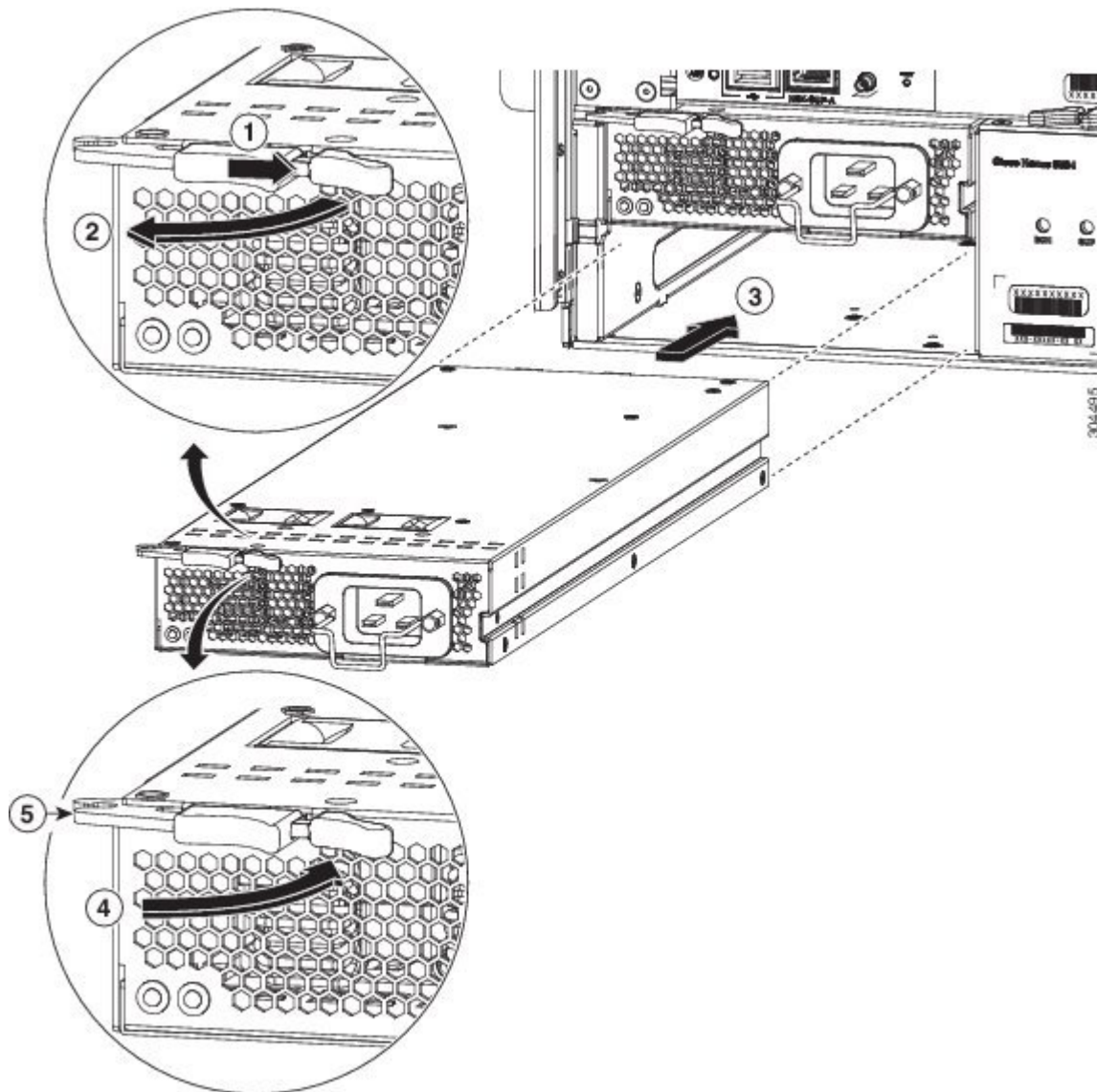
**Step 4**

To install the new power supply, follow these steps:

- a) Ensure that the power supply is not connected to an AC power source. If it is connected to a power source, remove the power cable from the power supply and wait at least five seconds before doing the next step.
- b) Hold the front of the module with one hand and place your other hand under the module to support its weight.
- c) Rotate the power supply 90 degrees so that the power receptacle is positioned on the lower front side. That way the back of the power supply is oriented to slide into the open power supply slot.
- d) Slide the guide bracket that is located on the top of the power supply into the track at the top of the power supply slot. Slide the power supply all the way into the slot.

The front of the power supply is about 0.25 inches (0.6 cm) outside the chassis.

- e) Slide the handle on the middle of the power supply ejector handle about 0.25 inches (0.6 cm) and rotate the lever away from the front of the power supply. Do this while pushing the power supply all the way into the chassis. See the following figure.



1	Slide and hold the middle handle on the ejector lever toward the end of the lever.	4	Rotate the lever toward the front of the module.
2	Fully rotate the release lever away from the front of the module.	5	Make sure that the other end of the lever grabs the front of the chassis to push the module onto the connectors inside the slot.
3	Slide the power supply into the open power supply slot in the chassis until it stops. The front of the module is about 0.25 inches (0.6 cm) in front of the chassis.		

- f) Rotate the ejector lever toward the front of the power supply and be sure that the other end of the lever locks into the chassis.



The lever will click when you rotate it all the way to the front of the power supply. Be sure that the power supply is fully inserted into the slot. The front of the power supply will be even with the surface of the chassis.

- g) Attach the power cable to the power receptacle on the power supply and rotate the power cable holder onto the plug on the cable.
- h) Make sure that the other end of the power cable is attached to the AC power source in one of the following ways:
  - If you are using the combined power mode or the  $n+1$  redundancy mode, you can connect the power cable to as few or as many power sources/grids as you like.
  - If you are using the  $n+n$  redundancy mode, you must connect the power cable to the same power source as used by the other power supplies in the same set of power supply slots in the chassis. The power cables for slots 1 and 2 must be connected to one power source and the power cables in slots 3 and 4 must be connected to another power source.
- i) Verify that the OK LED turns on and eventually becomes green.

---

## Installing or Replacing a 3-kW Universal AC/DC Power Supply

### Before you begin

- The power source must be installed within reach of the power cables.
- The power source must meet the power specifications that the switch requires.
- There are one or two power sources available. If using  $n+n$  redundancy, there must be two power sources available. Otherwise, only one power source is required.

---

**Step 1** Open the packaging for the new 3-kW Universal AC/DC power supply and inspect the module for damage.

If the module is damaged, contact the Technical Assistance Center (TAC).

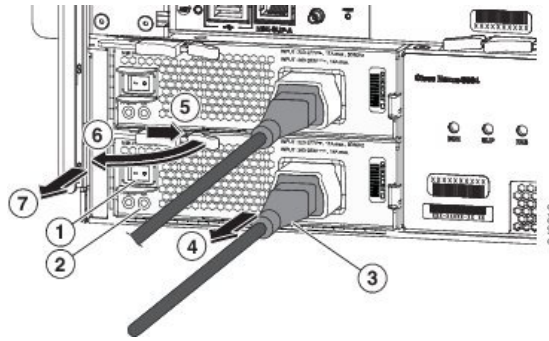
**Step 2** If you are installing the module in an empty slot, remove the blank filler plate that is already in that slot. Unscrew its captive screw and pull it out of the slot. If you are using the combined power mode or  $n+1$  redundancy, you can use any power supply slot in the chassis. If you are using  $n+n$  redundancy mode, you must be sure that you are inserting the power supply in a slot that is used for the desired power supply (the power supplies in slots 1 and 2 must be connected to one power source and the power supplies in slots 3 and 4 must be connected to the other power source). Go to Step 4.

**Step 3** If you are replacing a power supply that is currently in the chassis, remove the existing module from the chassis by following these steps:

- a) Turn off the power to the power supply that you are replacing as follows:
  1. Shut off the power supply by setting its power switch to 0.
  2. If the power supply is connected to a DC circuit, shut off the circuit at the circuit breaker.
  3. Verify that the OK LED has turned off (indicates that there is no power going to the power supply).

**Note** If the FAULT LED is on and the color is amber, that indicates that the power source connection has been broken.

4. Remove the power cable plug from the power supply receptacle.



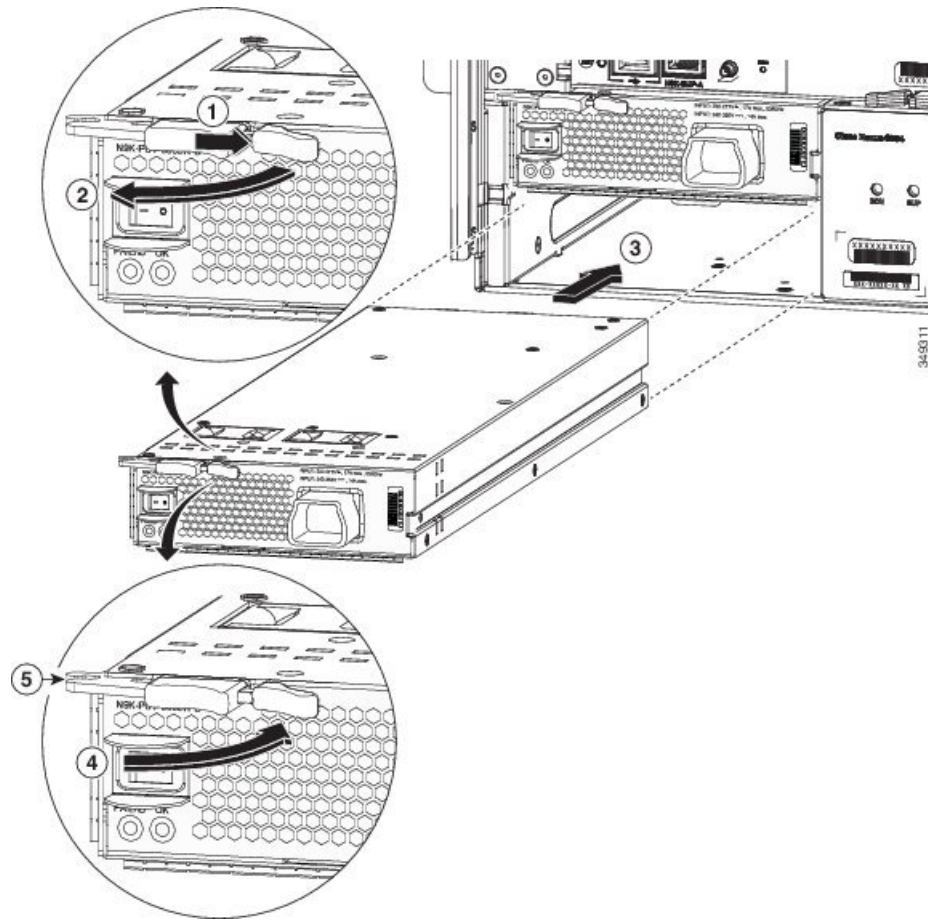
1	Turn off the power supply (and circuit breaker for a DC circuit).	4	Rotate the release lever toward the front of the power supply.
2	Verify that the OK LED turns off.	6	Rotate the release lever away from the power supply.
3	Press and hold the release button on the plug.	7	Pull the power supply out of the chassis.
4	Pull the power cable plug out of the power supply receptacle.		

- b) Slide the middle of the ejector lever down to the end of the lever and rotate the lever away from the chassis.  
The power supply unlocks from the chassis and moves out slightly.
- c) Pull on the lever to move the power supply about 2 inches (5 cm) out of the slot.
- d) Place one hand on the front of the power supply and your other hand under the power supply to support its weight.
- e) Pull the module out of the slot and place it on an antistatic surface or inside an antistatic bag.

#### Step 4

To install the new power supply, follow these steps:

- a) If you are using a DC power source, ensure that the circuit is turned off at the circuit breaker.
- b) Hold the front of the power supply module with one hand and place your other hand under the module to support its weight.
- c) Rotate the power supply 90 degrees so that the power receptacle is positioned on the lower front side. And so that the back of the power supply is oriented to slide into the open power supply slot.
- d) Slide the guide bracket that is located on the top of the power supply into the track at the top of the power supply slot. Slide the power supply into the slot until the front of the module stops about 0.25 inches (0.6 cm) in front of the module.
- e) Slide the handle on the middle of the power supply release lever toward the end of the module and rotate the lever away from the front of the power supply while pushing the power supply all the way into the chassis. See the following figure.



1	Slide and hold the middle handle next to the outer handle.	4	Rotate the lever toward the front of the module.
2	Fully rotate the release lever away from the front of the module.	5	Make sure that the other end of the lever grabs the front of the chassis to push the module onto the connectors inside the slot.
3	Slide the power supply into the open power supply slot in the chassis until it stops. The front of the module is about 0.25 inches (0.6 cm) in front of the chassis.		

- f) Carefully rotate the ejector lever toward the front of the power supply and be sure that the other end of the lever grabs the chassis. This pushes the module onto its connectors inside the slot.  
The lever will click when you rotate it all the way to the front of the power supply. Be sure that the power supply is fully inserted into the slot. The front of the power supply will be even with the surface of the chassis.
- g) Attach the power cable to the power receptacle on the power supply.
- h) Make sure that the other end of the power cable is attached to the power source in one of the following ways:
  - If you are using the combined power mode or the  $n+1$  redundancy mode, you can connect the power cable to the same power source as used by the other power supplies in the same switch.

- If you are using the  $n+n$  redundancy mode, you must connect the power cable to the same power source as used by the other power supplies in the same set of power supply slots in the chassis. The power cables for slots 1 and 2 must be connected to one power source and the power cables in slots 3 and 4 must be connected to another power source.
- i) If you connected the power supply to a DC power source do the following:
    1. Turn on the circuit breaker for the DC power source.
    2. Turn on the power supply by setting the power switch to on (1).
  - j) Verify that the OK LED turns on and eventually becomes green.

---

## Installing or Replacing a 3.15-kW Dual Input Universal AC/DC Power Supply

The HVAC/HVDC power supply (N9K-PUV2-3000W-B) has two redundant input power lines. It can provide power output at 3.15KW with either one or two input power lines operating. The HVAC/HVDC power supply provides  $n+n$  or  $n+x$  line redundancy mode in a single power supply for the Cisco Nexus 9500 Series switches.

The HVAC/HVDC power supply accepts 200–240VAC or 240/380VDC input power.

If you are not using power redundancy or are using  $n+1$  power redundancy, you can connect all the power supplies in the chassis to the same power grid. If you are using  $n+n$  power redundancy, connect one set of the power supply inputs to one power grid and the other set of the power supply inputs to another power grid. For example, connect grid A to the receptacles closest to the power switch on the power supplies, and connect grid B to the receptacles furthest from the power switch on the power supplies.




---

**Note** You can have a mix of AC power supplies and HVAC/HVDC power supplies in a chassis.

---

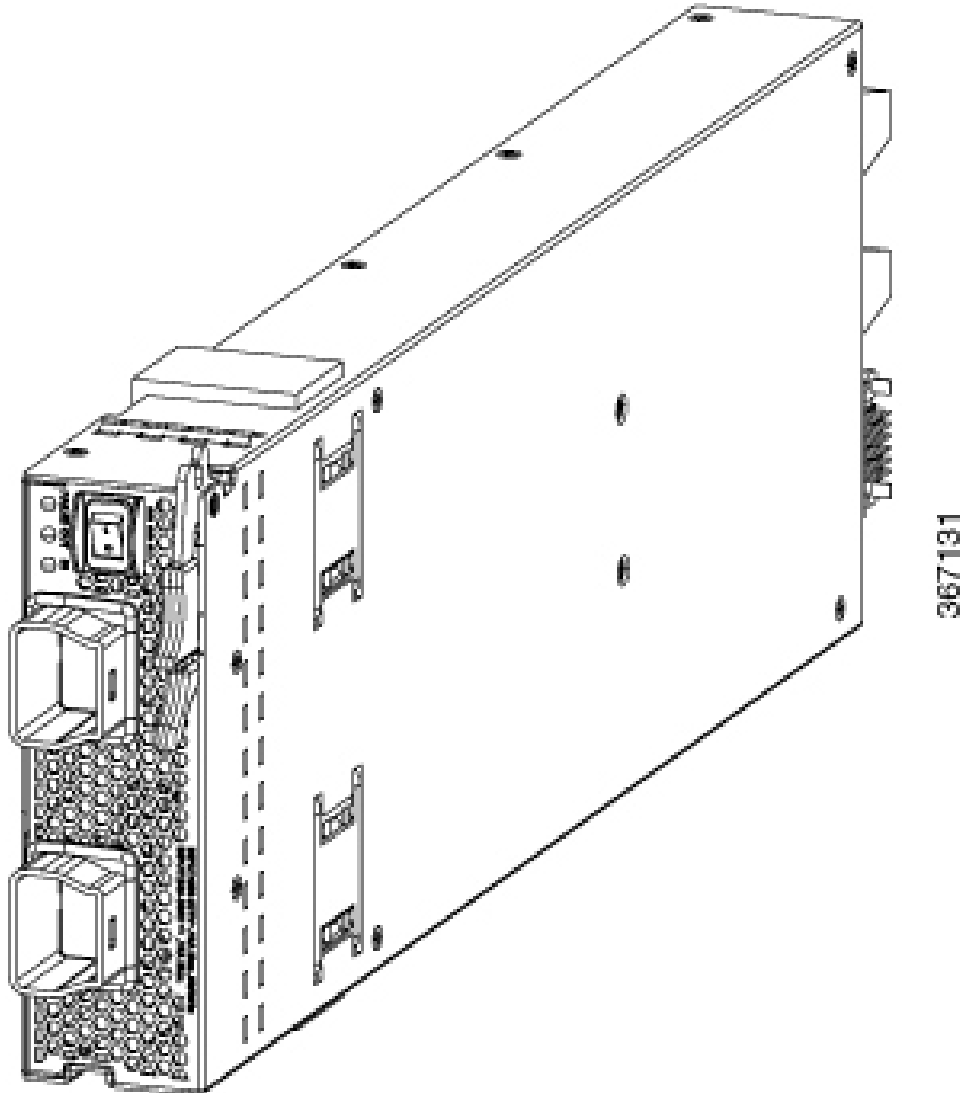
### Before you begin

- The AC or DC power source must be turned off at its circuit breaker.
- The power switch on the power supply must be turned off (power switch set to 0).
- The AC power sources are rated as follows:
  - For North American installations—20A with 200-240V circuits.
  - For international installations—size the circuits by local and national standards.

- 
- Step 1** Open the packaging for the new 3-kW Universal AC/DC power supply and inspect the module for damage. If the module is damaged, contact the Technical Assistance Center (TAC).
  - Step 2** For AC input, connect an AC power cable to the AC power source.
  - Step 3** For DC input, connect a Saf-D-Grid/Saf-D-Grid DC cable to a Saf-D-Grid receptacle, otherwise:

- a) Connect the ground terminal ring on the power cable to the ground terminal on the DC power source. Secure it in place with a nut tightened to the appropriate torque setting for the terminal post.
- b) Connect the negative terminal ring on the power cable to the negative (-) terminal on the DC power source. Secure it in place with a nut tightened to the appropriate torque setting for the terminal post.
- c) Connect the positive terminal ring on the power cable to the negative (+) terminal on the DC power source. Secure it in place with a nut tightened to the appropriate torque setting for the terminal post.

**Step 4** Connect the Saf-D-Grid connector on the other end of the power cable to the Saf-D-Grid receptacle on the power supply.



**Step 5** Turn on the circuit breaker for the DC power source circuit.

**Step 6** Turn on the power supply by pressing its power switch to on.

**Step 7** Verify that the OUT LED turns on and becomes green.

**Note** If you use both inputs, the IN LED is green. If you use only one input, the IN LED is blinking green.

# Installing or Replacing a 3-kW DC Power Supply

## Before you begin

- The power source must be installed within reach of the power cables.
- The power source must meet the power specifications that the switch requires.
- There are one or two power sources available. If using  $n+n$  redundancy, there must be two power sources available. Otherwise, only one power source is required.
- Prepare an antistatic surface or antistatic bag for the power supply that you are removing.

---

**Step 1** Open the packaging for the new 3-kW DC power supply and inspect the module for damage.

If the module is damaged, contact the Technical Assistance Center (TAC).

**Step 2** If you are installing the module in an empty slot, remove the blank filler plate that is already in that slot. Do this action by unscrewing its captive screw and pulling it out of the slot.

**Step 3** If you are replacing a power supply that is currently in the chassis, remove the existing module from the chassis by following these steps:

a) Turn off the power to the power supply that you are replacing as follows:

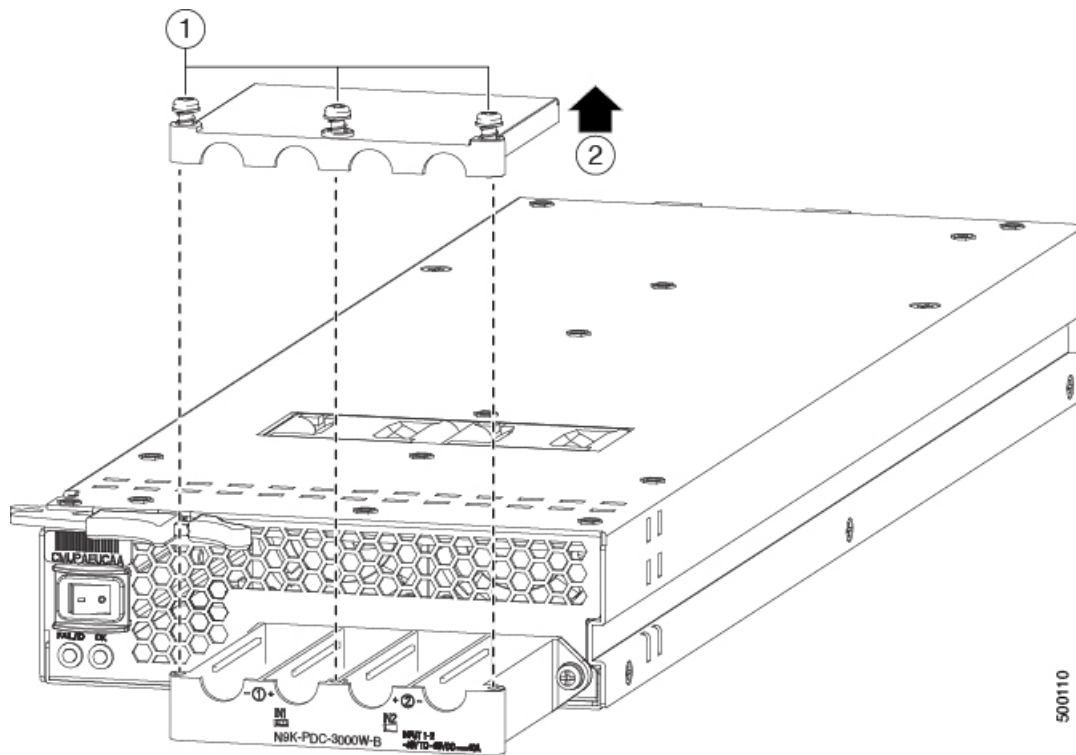
1. Shut off the power supply by setting its power switch to 0.
2. Shut off the power from the power source by turning off the circuit breaker for each of the two input lines to the power supply.

Verify that the LEDs on the power supply turn off.

b) Disconnect the power cables from the power supply as follows:

1. Remove the three screws on the safety cover for the terminal box that is located on the front of the power supply. Then pull the cover off the terminal box as shown in the following figure.

**Note** The terminal box has four slots for four power terminals (ordered as negative [-], positive [+], positive [+], and negative [-]). Each terminal has two nuts that you use to fasten a power cable to the terminal.



1	Remove 3 screws from the safety cover.	2	Remove the cover.
---	--	---	-------------------

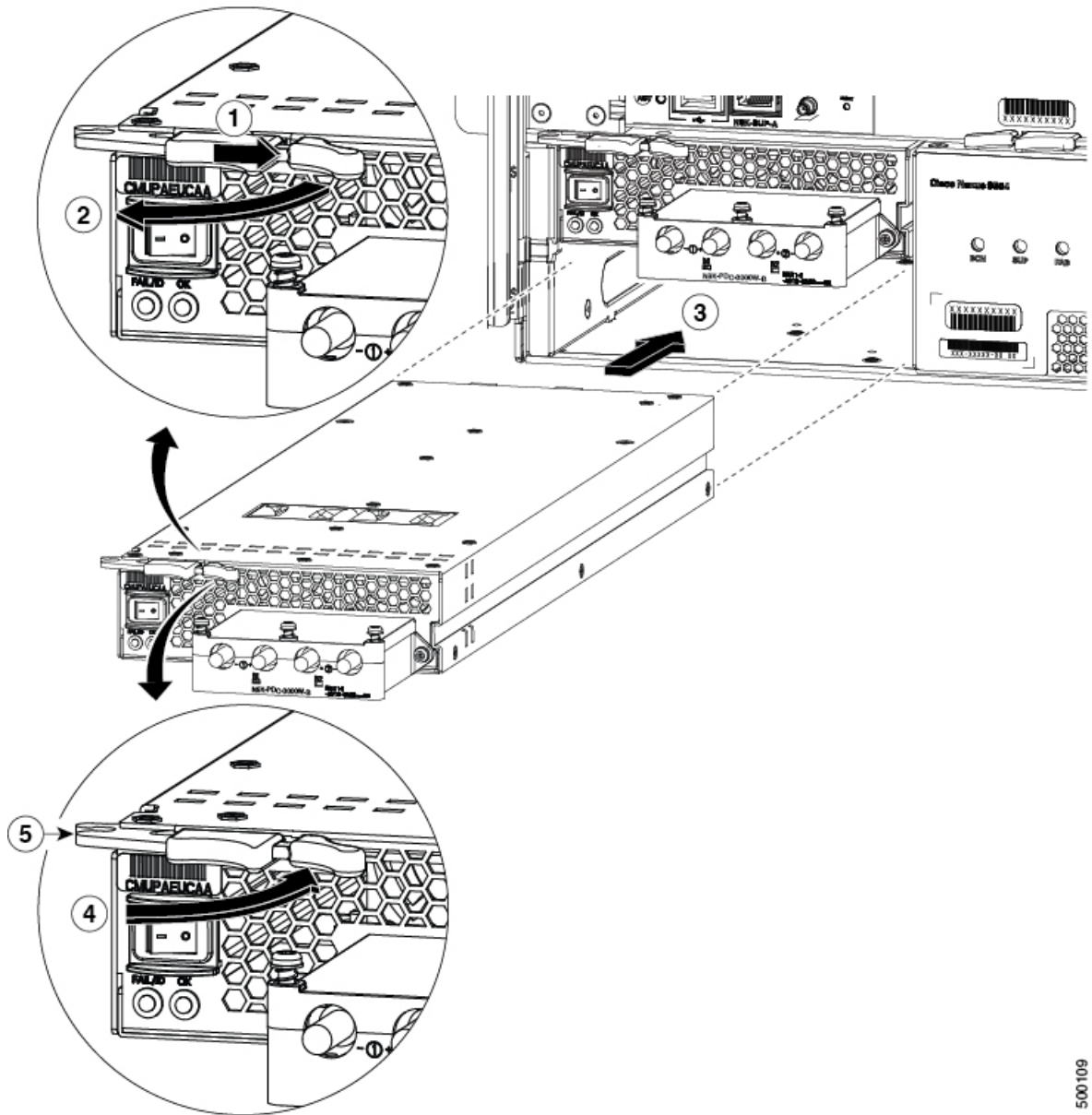
2. Unscrew the two nuts holding each of the four cables to the terminal box. Remove the cables and replace the nuts on the two posts in each of the slots.
  3. Replace the safety cover on the terminal box and secure it in place with three screws.
- c) Remove the power supply from the chassis as follows:
1. Slide the middle of the ejector lever toward the end of the lever and rotate the lever away from the chassis.  
The power supply unlocks from the chassis and moves out slightly.
  2. Use one of your hands to hold the front of the power supply and place your other hand under the power supply to support its weight.
  3. Pull the module out of the slot and place it on an antistatic surface or inside an antistatic bag.

**Step 4** If you are not installing a replacement power supply, cover the empty power supply slot with a blank module.

**Step 5** If you are installing a replacement power supply, install, connect, and power up the new power supply as follows:

- a) Install the power supply as follows:
1. Hold the front of the power supply with one hand and place your other hand under the module to support its weight.
  2. Hold the power supply flat with the release lever on the upper left front end of the module. Position and orient the other end of the module at the open power supply slot in the chassis.

- Slide the handle on the middle of the release lever toward the end of the lever and rotate the lever away from the front of the power supply. Push the power supply all the way into the slot. See the following figure.



500.109

1	Slide and hold the middle handle next to the outer handle.	4	Rotate the lever toward the front of the module.
2	Fully rotate the release lever away from the front of the module.	5	Make sure that the other end of the lever grabs the front of the chassis to push the module onto the connectors inside the slot.



3	Slide the power supply into the open power supply slot in the chassis until it stops. The front of the module is 0.25 inches (0.6 cm) in front of the chassis.	
---	--	--

4. Slide the power supply gently into the slot until it stops with the front of the module even with the front of the chassis.

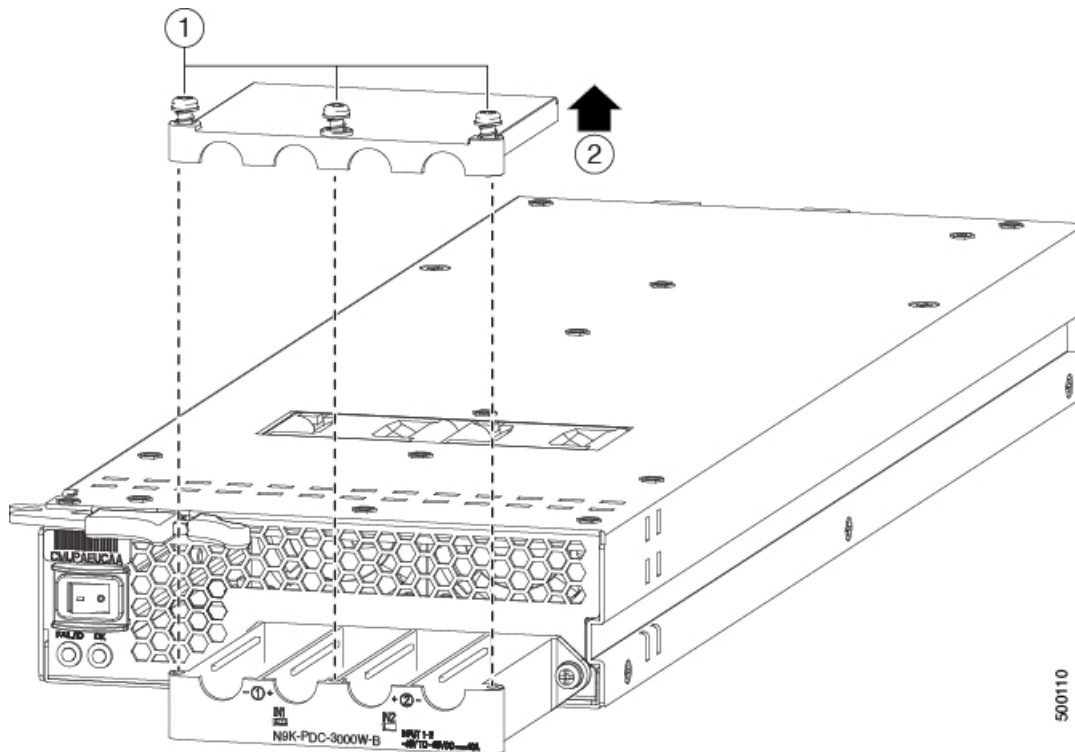
If the face of the module is about 0.25 inches (0.6 cm) in front of the module, slide the middle handle on the release lever toward the end of the lever and rotate the lever away from the power supply module. Then gently push the module all the way into the slot.

5. Rotate the ejector lever toward the front of the power supply and be sure that the other end of the lever locks into the chassis.

The lever clicks when you rotate it all the way to the front of the power supply. Be sure that the power supply is fully inserted into the slot. The front of the power supply is even with the surface of the chassis.

b) Connect the power cables to the power supply as follows:

1. Verify that the circuit breakers for both input lines from the DC power source are turned off.
2. Use a torque screwdriver to unscrew three screws on the cover for the terminal box that is located on the front of the power supply. Then lift off the cover as shown in the following figure.



1	Remove 3 screws from the safety cover.	2	Remove the cover.
---	--	---	-------------------

**Note** The terminal box has four slots for four power terminals (ordered as negative [-], positive [+], positive [+], and negative [-]). Each terminal has two nuts that you use to fasten a power cable to the terminal.

3. Remove the two nuts from each terminal post in each slot of the terminal box.
  4. Place each of the lugs for the two positive cables on the terminal posts for the positive slots (two middle slots) of the terminal box and fasten each lug using two nuts. Tightened the nuts to 40 in-lb (4.5 N·m) of torque.
  5. Place each of the lugs for the two negative cables on the terminal posts for the negative slots (two side slots) of the terminal box and fasten each lug using two nuts. Tightened the nuts to 40 in-lb (4.5 N·m) of torque.
  6. Replace the safety cover on the terminal box and fasten it in place using its three screws.
- c) Power up the power supply as follows:
1. Turn on the power source circuit breaker for both input lines.  
Verify that the Input 1 (IN1) and Input 2 (IN2) LEDs light up on the power supply.
  2. Turn the power switch on the power supply to ON (labeled 1 on the power supply).  
The LEDs flashes and then the OK LED turns on (green) in addition to the Input LEDs.

---

### What to do next

You are ready to connect the switch to the network.

## Migrating the Switch from Using 40-Gigabit Line Cards to Using 100-Gigabit -EX/-FX Line Cards

You can migrate the switch to using 100-Gigabit -EX/-FX line cards, such as the N9K-X9732C-EX line card, by replacing the older 40-Gigabit line cards with 100-Gigabit -EX line cards and replacing the older 40-Gigabit N9K-C9504-FM fabric modules with four 100-Gigabit N9K-C9504-FM-E fabric modules.

### Before you begin

Ensure that the switch is running NX-OS software for release 7(3)i4(2) or later.




---

**Note** When upgrading line cards and their fabric modules, upgrade the Cisco NX-OS software before inserting the line cards and fabric modules. Failure to do so can cause a diagnostic failure on the line card. Please see the [release notes](#) for details.

---

**Step 1** Save the current switch configuration to the bootflash by using the **copy running-config** command.

```
switch$ copy running-config bootflash:backup-config
Copy complete, now saving to disk (please wait)...
```

**Step 2** Replace each of the older line cards (N9K-X94xx, N9K-X95xx, or N9K-X96xx) with an N9K-97xxx-EX or N9K-X97xx-FX line card as explained in the [Installing or Replacing a Line Card, on page 78](#).

**Note** You have the option of hot swapping these line cards during operations.

**Caution** Be sure that any line card slots left empty after this replacement are filled with blank modules (N9K-C9500-LC-CV).

**Step 3** Replace the N9K-C9504-FM fabric modules with four N9K-C9504-FM-E fabric modules in fabric module slots FM 2, FM 3, FM 4, and FM 6 as explained in the [Replacing a Fabric Module, on page 85](#). Also see the [Cisco Nexus 9500 Platform Line Cards and Fabric Modules Data Sheet](#)

**Note** You have the option of hot swapping these fabric modules during operations.

**Caution** If slots FM1, FM3, or FM5 are left empty, fill them with blank modules (N9K-C95xx-FM-CV). Slots FM2, FM4, or FM6 must be filled with fabric modules in order to power the fan trays outside those fabric slots.

**Step 4** Enter the **write erase** command at the command line and press **y** when prompted whether to proceed.

```
switch$ write erase
Warning: This command will erase the startup-configuration.
Do you wish to proceed anyway? (y/n) [n]
y
```

**Step 5** Reload the switch by using the **reload** command and enter **y** when prompted to confirm the reboot.

```
Switch$ reload
WARNING! there is unsaved configuration!!!
This command will reboot the system. (y/n)? [n]
y
```

**Step 6** During the bootup, configure the switch by using the setup option. For configuration information, see the *Cisco Nexus 9000 Series NX-OS Fundamentals Configuration Guide*.

**Step 7** Copy the old configuration from the bootflash to the new configuration by using the **copy** command.

```
switch$ copy bootflash:backup-config running-config
```

**Step 8** Copy the running configuration to the startup configuration by using the **copy running-config startup-config** command.

```
switch$ copy running-config startup-config
```

**Step 9** If there is a configuration that requires a switch reload, reload the switch by using the **reload** command and enter **y** when prompted to confirm the reboot.

```
Switch$ reload
This command will reboot the system. (y/n)? [n]
y
```

---

## Migrating the Switch to 400-Gigabit -GX Line Cards

You can migrate the switch to using 400-Gigabit -GX line cards, such as the N9K-X9716D-GX line card, by replacing the older 40-Gigabit or 100-Gigabit line cards and replacing the older 40-Gigabit or 100-Gigabit fabric modules with N9K-C9504-FM-G fabric modules.

### Before you begin

Ensure that the switch is running NX-OS software for release 10.1(2) or later.




---

**Note** When upgrading line cards and their fabric modules, upgrade the Cisco NX-OS software before inserting the line cards and fabric modules. Failure to do so can cause a diagnostic failure on the line card. Classic Line Cards, such as -PQ/-PX/-TX/-TX2, will not boot in NXOS version 10.1(x) and later. This is expected behavior. Please see the [release notes](#) for details.

---

**Step 1** Save the current switch configuration to the bootflash by using the **copy running-config** command.

```
switch$ copy running-config bootflash:backup-config
Copy complete, now saving to disk (please wait)...
```

**Step 2** Replace each of the older line cards with an N9K-97xxx-GX line card as explained in the [Installing or Replacing a Line Card, on page 78](#).

**Caution** Be sure that any line card slots left empty after this replacement are filled with blank modules (N9K-C9500-LC-CV).

**Step 3** Replace the N9K-C9504-FM/E/E2 fabric modules with four N9K-C9504-FM-G fabric modules in fabric module slots FM 2, FM 3, FM 4, and FM 6, as explained in the [Replacing a Fabric Module, on page 85](#). Also see the [Cisco Nexus 9500 Platform Line Cards and Fabric Modules Data Sheet](#).

**Note** You have the option of hot swapping these fabric modules during operations.

**Caution** If slots FM1, FM3, or FM5 are left empty, fill them with blank modules (N9K-C950x-FM-G-Z). Slots FM2, FM4, or FM6 must be filled with fabric modules to power the fan trays outside those fabric slots.

**Step 4** Replace the fan modules with N9K-C9504-FAN2 for the N9K-C9504-FM-G fabric modules.

**Step 5** Enter the **write erase** command at the command line and press **y** when prompted whether to proceed.

```
switch$ write erase
Warning: This command will erase the startup-configuration.
Do you wish to proceed anyway? (y/n) [n]
y
```

**Step 6** Reload the switch by using the **reload** command and enter **y** when prompted to confirm the reboot.

```
Switch$ reload
WARNING! there is unsaved configuration!!!
This command will reboot the system. (y/n)? [n]
y
```

**Step 7** During the bootup, configure the switch by using the setup option. For configuration information, see the *Cisco Nexus 9000 Series NX-OS Fundamentals Configuration Guide*.

**Step 8** Copy the old configuration from the bootflash to the new configuration by using the **copy** command.

```
switch$ copy bootflash:backup-config running-config
```

**Step 9** Copy the running configuration to the startup configuration by using the **copy running-config startup-config** command.

```
switch$ copy running-config startup-config
```

**Step 10** If there is a configuration that requires a switch reload, reload the switch by using the **reload** command and enter **y** when prompted to confirm the reboot.

```
Switch$ reload
This command will reboot the system. (y/n)? [n]
y
```

---





# APPENDIX **A**

## System Specifications

- [Environmental Specifications, on page 109](#)
- [Switch Dimensions, on page 109](#)
- [Weights and Quantities for the Chassis, Modules, Fan Trays, and Power Supplies, on page 110](#)
- [Power Specifications, on page 112](#)

## Environmental Specifications

Environment		Specification
Temperature	Ambient operating temperature	32 to 104°F (0 to 40°C)
	Ambient nonoperating	−40 to 158°F (−40 to 70°C)
Relative humidity	Nonoperating	5 to 95%
	Operating	5 to 90%
Altitude	Operating	0 to 13,123 feet (0 to 4,000 meters)

## Switch Dimensions

Chassis or Module	Width	Depth	Height
Cisco Nexus 9504 chassis	17.5 inches (44.5 cm)	33.15 inches (84.20 cm) for chassis and handles	12.25 inches (31.1 cm) (7 RU)
Supervisor modules	Without mounting brackets: 7.0 inches (17.78 cm) With mounting brackets: 8.0 inches (20.32 cm)	Inside chassis: 20.67 inches (52.5 cm) Ejector levers outside chassis: 0.75 inches (1.9 cm)	1.75 inches (4.4 cm)

Chassis or Module	Width	Depth	Height
System controller modules	Without mounting brackets: 6.81 inches (17.3 cm) With mounting brackets: 7.81 inches (19.84 cm)	Inside chassis: 10.74 inches (27.28 cm) Ejector levers outside chassis: 0.75 inches (1.9 cm)	1.42 inches (3.61 cm)
Line cards	17.0 inches (43.18 cm)	Inside chassis: 16.5 inches (41.91 cm) Ejector levers outside chassis: 2.5 inches (6.35 cm)	1.75 inches (4.4 cm)
Fabric modules	2.46 inches (6.25 cm)	11.7 inches (29.72 cm)	9.4 inches (23.88 cm)
Fan trays	5.05 inches (12.81 cm)	5.47 inches (13.9 cm)	Without mounting brackets: 9.0 inches (22.86 cm) With mounting brackets: 10.6 inches (26.93 cm)
Power supply	5.25 inches (13.33 cm)	Inside chassis: 17.75 inches (44.96 cm) Ejector levers outside chassis: 0.75 inches (1.9 cm)	1.75 inches (4.4 cm)

## Weights and Quantities for the Chassis, Modules, Fan Trays, and Power Supplies

Component	Weight per Unit
<b>Cisco Nexus 9504 Chassis (N9K-C9504)</b>	84.0 lb (38.2 kg)
<b>Supervisor Modules</b>	—
– Supervisor A module (N9K-SUP-A)	4.84 lb (2.2 kg)
– Supervisor A+ module (N9K-SUP-A+)	5.2 lb (2.37 kg)
– Supervisor B module (N9K-SUP-B)	6.0 lb (2.72 kg)
– Supervisor B+ module (N9K-SUP-B+)	5.3 lb (2.39 kg)
<b>System Controller Modules (N9K-SC-A)</b>	1.9 lb (0.9 kg)
<b>Line cards that the N9K-C9504-FM fabric modules support</b>	—



Component	Weight per Unit
– 8-port 100-Gigabit Ethernet CFP2 line card (N9K-X9408PC-CFP2)	13.05 lb (5.92 kg)
– 32-port 40-Gigabit Ethernet QSFP+ line card (N9K-X9432PQ)	10.85 lb (4.92 kg)
– 36-port 40-Gigabit Ethernet QSFP+ line card (N9K-X9536PQ)	11.99 lb (5.44 kg)
– 36-port 40-Gigabit Ethernet QSFP+ aggregation line card (N9K-X9636PQ)	11.48 lb (5.2 kg)
– 48-port 1/10-GBASE-T and 4-port 40-Gigabit Ethernet QSFP+ line card (N9K-X9464TX)	10.01 lb (4.54 kg)
– 48-port 1/10-GBASE-T and 4-port 40-Gigabit Ethernet QSFP+ line card (N9K-X9464TX2)	10.01 lb (4.54 kg)
– 48-port 1/10-Gigabit Ethernet SFP+ and 4-port 40-Gigabit Ethernet QSFP+ line card (N9K-X9564PX)	11.48 lb (5.2 kg)
– 48-port 1/10-GBASE-T and 4-port 40-Gigabit Ethernet QSFP+ line card (N9K-X9564TX)	12.58 lb (5.7 kg)
<b>Line cards that the N9K-C9504-FM-E fabric modules support</b>	—
– 48-port 10/25-Gigabit Ethernet and 4-port 40/100-Gigabit Ethernet QSFP28 line card (N9K-X97160YC-EX)	12.75 lb (5.78 kg)
– 48-port 10-Gigabit Ethernet and 4-port 100-Gigabit Ethernet QSFP28 line card (N9K-X9788TC-FX)	13.0 lb (5.9 kg)
– 36-port 100-Gigabit Ethernet QSFP28 line card (N9K-X9736C-EX)	14.77 lb (6.7 kg)
– 36-port 100-Gigabit Ethernet QSFP28 line card (N9K-X9736C-FX)	14.38 lb (6.5 kg)
– 36-port 40-Gigabit Ethernet QSFP28 line card (N9K-X9736Q-FX)	14.6 lb (6.62 kg)
– 32-port 100-Gigabit Ethernet QSFP28 line card (N9K-X9732C-EX)	12.13 lb (5.5 kg)
– 32-port 100-Gigabit Ethernet QSFP28 line card (N9K-X9732C-FX)	15.0 lb (6.8 kg)
<b>Line cards that the N9K-C9504-FM-G fabric modules support</b>	—
– 48-port 10/25-Gigabit Ethernet SFP28 and 4-port 40/100-Gigabit Ethernet QSFP28 line card (N9K-X97160YC-EX)	12.75 lb (5.78 kg)
– 32-port 100-Gigabit Ethernet QSFP28 line card (N9K-X9732C-EX)	12.13 lb (5.5 kg)
– 36-port 100-Gigabit Ethernet QSFP28 line card (N9K-X9736C-EX)	14.77 lb (6.7 kg)
– 36-port 100-Gigabit Ethernet QSFP28 line card (N9K-X9732C-FX)	15 lb (6.8 kg)
– 36-port 100-Gigabit Ethernet QSFP28 line card (N9K-X9736C-FX)	14.38 lb (6.5 kg)
– 48-port 1/100 BASE-T and 4-port 100-Gigabit Ethernet QSFP28 line card (N9K-X9788TC-FX)	13.0 lb (5.9 kg)

Component	Weight per Unit
– 16-port 400-Gigabit Ethernet QSFP-DD line card (N9K-X9716D-GX)	15.2 lb (6.8 kg)
<b>Line cards that the N9K-C9504-FM-S fabric modules support</b>	—
– 32-port 100-Gigabit Ethernet QSFP28 line card (N9K-X9432C-S)	12.3 lb (5.58 kg)
<b>Line cards that the N9K-C9504-FM-R fabric modules support</b>	—
– 36-port 100-Gigabit Ethernet QSFP28 line card (N9K-X9636C-RX)	15.9 lb (7.2 kg)
– 36-port 100-Gigabit Ethernet QSFP28 line card (N9K-X9636C-R)	15.0 lb (6.8 kg)
– 36-port 40-Gigabit Ethernet QSFP+ line card (N9K-X9636Q-R)	12.43 lb (5.64 kg)
– 16-port 1/10-Gigabit SFP, 32-port 10/25-Gigabit Ethernet SFP, and 4-port 40/100-Gigabit Ethernet QSFP line card (N9K-X96136YC-R)	12.78 lb (5.8 kg)
<b>Fabric Modules</b>	—
– 40-Gigabit N9K-C9504-FM fabric module	5.76 lb (2.6 kg)
– 100-Gigabit N9K-C9504-FM-E fabric module	6.6 lb (2.98 kg)
– 100-Gigabit N9K-C9504-FM-S fabric module supporting -S line cards	6.2 lb (2.8 kg)
– 100-Gigabit N9K-C9504-FM-R fabric module supporting -R and -RX line cards	6.2 lb (2.8 kg)
– 400-Gigabit N9K-C9504-FM-G fabric module	7.78 lb (3.53 kg)
<b>Fan Trays</b>	—
– (N9K-C9504-FAN2)	7.6 lb (3.45 kg)
– (N9K-C9504-FAN)	6.4 lb (2.9 kg)
<b>Power Supplies</b>	—
– 3-kW Universal AC/DC Power Supply (N9K-PUV-3000W-B)	5.9 lb (2.67 kg)
– 3.15-kW Dual Input Universal AC/DC Power Supply (N9K-PUV2-3000W-B)	5.9 lb (2.67 kg)
– 3-kW DC Power Supply (N9K-PDC-3000W-B)	6.4 lb (2.9 kg)
– 3-kW AC Power Supply (N9K-PAC-3000W-B)	6.2 lb (2.8 kg)

## Power Specifications

Power specifications include the specifications for each type of power supply module.

## Power Requirements for Switch Modules

Determine the number of power supplies required to operate all the modules in a switch by adding the maximum power amounts for each module in the switch. Then divide the sum by 3000 W. If there is a fractional amount in the result, add 1 to the result. For  $n+1$  redundancy, add one more power supply. For  $n+n$  redundancy, double the number of power supplies and provision for a second power source.

To determine the typical consumption, add the typical power amounts for each module in the switch.

Make sure that any new power supplies use the same type of power (AC or DC) as the rest of the power supplies in the switch. Do not use a mix of AC and DC power sources for a switch.

## Maximum Power Available to the Switch

The maximum power available for operations depends on the input power from your power source. Also, the number and output capabilities of your power supplies, and the power redundancy mode that you use. The following table lists the amount of power available for 3-kW power supplies depending on power inputs, numbers of power supplies, and the mode used.

Power Inputs	Power Supplies	Combined Mode	$n+1$ Redundancy Mode	$n+n$ Redundancy Mode
1 input (220 V)	1	3000 W	—	—
	2	6000 W	3000 W	3000 W
	3	9000 W	6000 W	3000 W
	4	12,000 W	9000 W	6000 W

## Power Supply Specifications

The following subtopics list the specifications for each power supply that this switch supports.

### 3000-W AC Power Supply Specifications

Property	Specification
Power	3000 W
Input Voltage	200 to 240 VAC
Frequency	50 to 60 Hz
Efficiency	90% or greater (20 to 100% load)
Redundancy Modes	Combined, $n+1$ , and $n+n$
RoHS Compliance	Yes
Hot Swappable	Yes
Airflow Direction	Port-side intake airflow

### 3000-W Universal AC/DC Power Supply Specifications

Property	Specification
Power	3000 W
Input Voltage	200 to 277 VAC or 240 to 380 VDC or
Frequency	47 to 63 Hz
Efficiency	90% or greater (20 to 100% load)
Redundancy Modes	Combined, $n+1$ , and $n+n$
RoHS Compliance	Yes
Hot Swappable	Yes
Airflow Direction	Port-side intake airflow

### 3000-W Dual Input Universal AC/DC Power Supply Specifications

Property	Specification
Power	3150 W
Input Voltage	180 to 305 VAC or 192 to 400 VDC or
Frequency	50 to 60 Hz
Efficiency	90% or greater (20 to 100% load)
Redundancy Modes	Combined, $n+1$ , and $n+n$
RoHS Compliance	Yes
Hot Swappable	Yes
Airflow Direction	Port-side intake airflow

### 3000-W DC Power Supply Specifications

Property	Specification
Power	3000 W
Input Voltage	-48 to -60 VDC
Frequency	-
Efficiency	90% or greater (20 to 100% load)

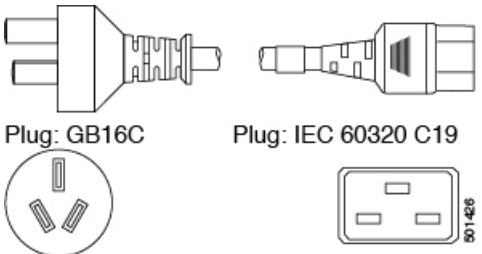
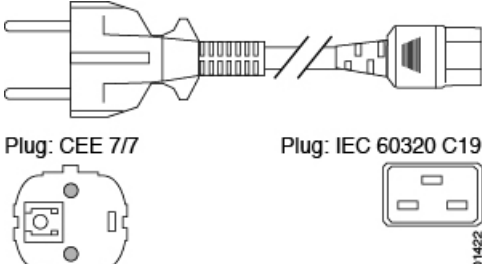
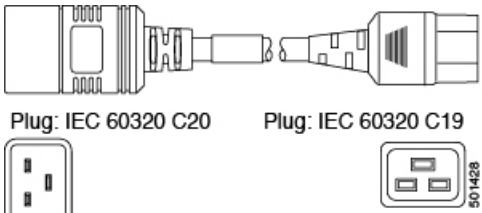
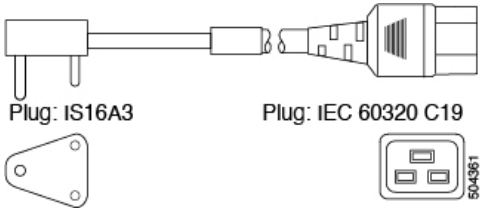
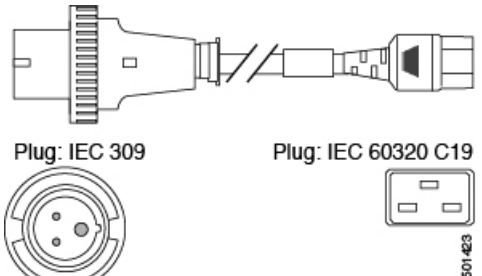
Property	Specification
Redundancy Modes	Combined, $n+1$ , and $n+n$
RoHS Compliance	Yes
Hot Swappable	Yes
Airflow Direction	Port-side intake airflow

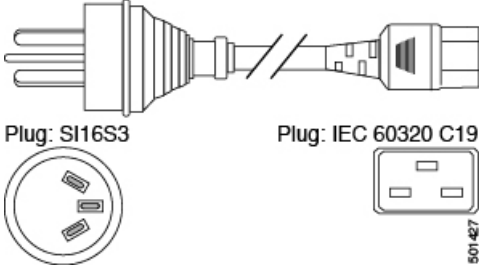
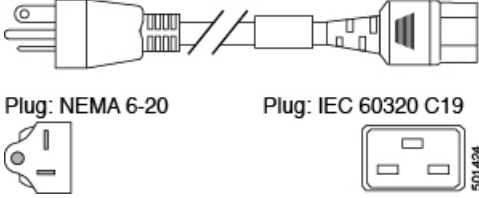
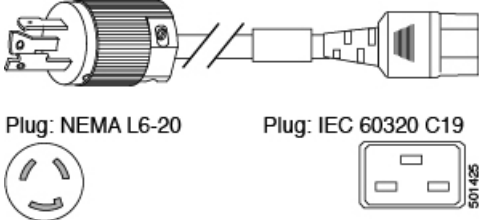
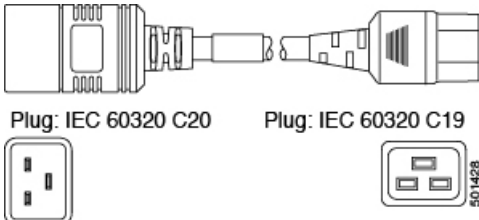
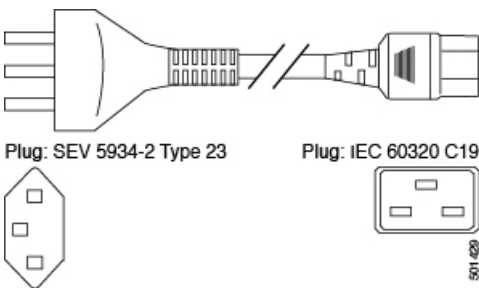
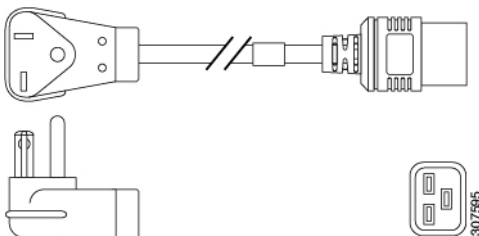
## Power Cable Specifications

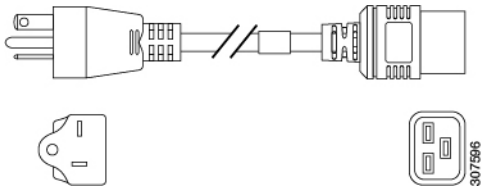
The following subtopics list the specifications for supported power cables.

### 3-kW AC Power Cable Specifications

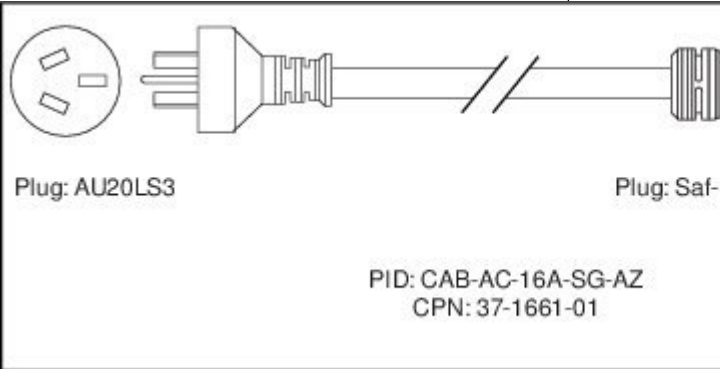
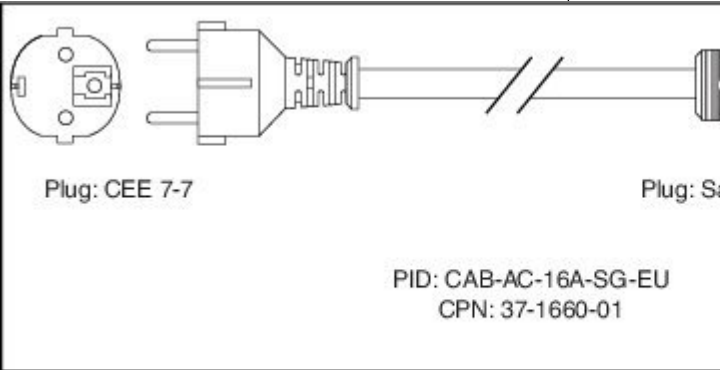
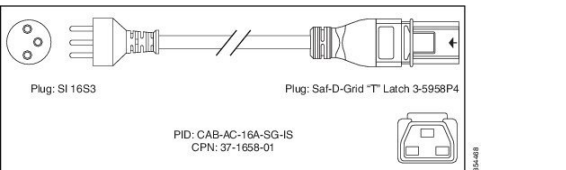
Locale	Power Cord Part Number	Cord Set Rating	Power Cord Illustration
Argentina	CAB-9K16A-ARG	16 A, 250 VAC	
Brazil	CAB-9K16A-BRZ	16 A, 250 VAC	
Korea	CAB-9K16A-KOR	16 A, 250 VAC	
South Africa	CAB-9K16A-SA	16 A, 250 VAC	TBD
Australia and New Zealand	CAB-AC-16A-AUS	16 A, 250 VAC	

Locale	Power Cord Part Number	Cord Set Rating	Power Cord Illustration
Peoples Republic of China	CAB-AC-16A-CH	16 A, 250 VAC	 <p>Plug: GB16C      Plug: IEC 60320 C19</p>
Continental Europe	CAB-AC-2500W-EU	16 A, 250 VAC	 <p>Plug: CEE 7/7      Plug: IEC 60320 C19</p>
India	CAB-C19-C20-IND	16 A, 250 VAC	 <p>Plug: IEC 60320 C20      Plug: IEC 60320 C19</p>
India	PWR-CORD10-IND	16 A, 250 VAC	 <p>Plug: IS16A3      Plug: IEC 60320 C19</p>
International	CAB-AC-2500W-INT	16 A, 250 VAC	 <p>Plug: IEC 309      Plug: IEC 60320 C19</p>

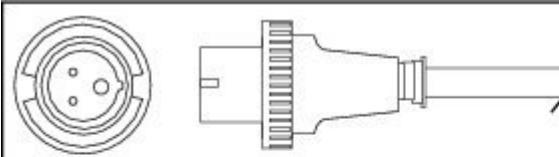

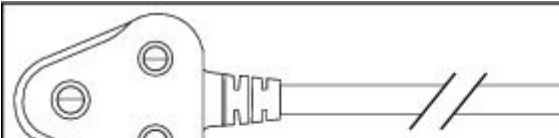
Locale	Power Cord Part Number	Cord Set Rating	Power Cord Illustration
Israel	CAB-AC-2500W-ISRL	16 A, 250 VAC	 <p>Plug: SI16S3</p> <p>Plug: IEC 60320 C19</p> <p>501427</p>
Japan and North America (nonlocking) 200-240 VAC operation	CAB-AC-2500W-US1	16 A, 250 VAC	 <p>Plug: NEMA 6-20</p> <p>Plug: IEC 60320 C19</p> <p>501424</p>
Japan and North America (locking) 200-240 VAC operation	CAB-AC-C6K-TWLK	16 A, 250 VAC	 <p>Plug: NEMA L6-20</p> <p>Plug: IEC 60320 C19</p> <p>501425</p>
Power distribution unit (PDU)	CAB-C19-CBN	16 A, 250 VAC	 <p>Plug: IEC 60320 C20</p> <p>Plug: IEC 60320 C19</p> <p>501428</p>
Switzerland	CAB-ACS-16	16 A, 250 VAC	 <p>Plug: SEV 5934-2 Type 23</p> <p>Plug: IEC 60320 C19</p> <p>501429</p>
Taiwan	CAB-AC-C19-TW	16 A, 250 VAC (IEC 60320 C19 to EL 218)	 <p>Plug: IEC 60320 C19 to EL 218</p> <p>Plug: IEC 60320 C19</p> <p>307595</p>

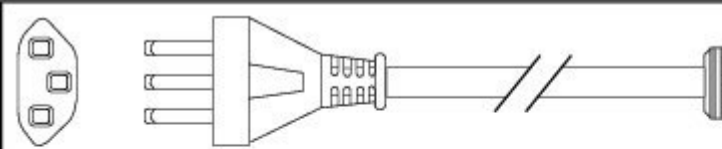
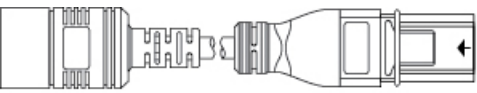



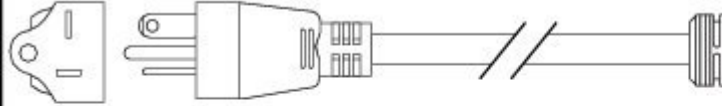
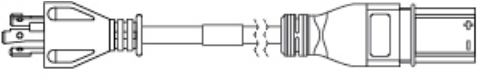

Locale	Power Cord Part Number	Cord Set Rating	Power Cord Illustration
US	CAB-AC-STRT-C19US	16 A, 250 VAC (straight blade NEMA 6-20 plug)	
All except Argentina, Brazil, and Japan	NO-PWR-CORD	No power cord is included with order.	N.A.

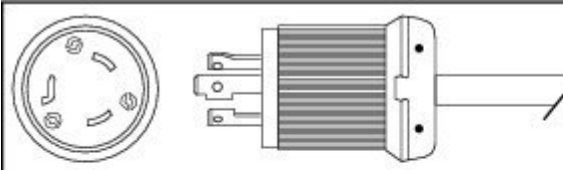
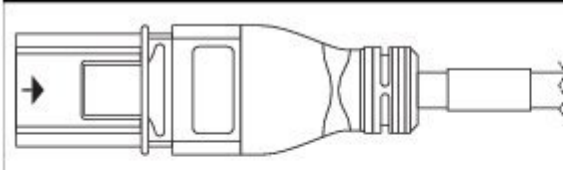

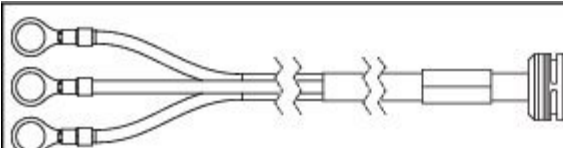



### 3-kW Universal AC/DC and 3-kW Dual Input Universal AC/DC Power Cable Specifications

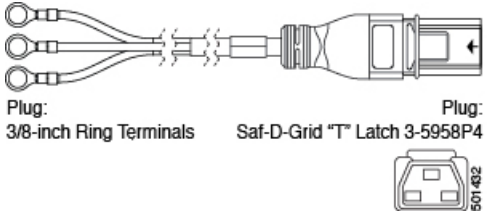
Locale	Power Cord Part Number	Cord Set Rating	Power Cord Illustration
Australia and New Zealand	CAB-AC-16A-SG-AZ	16 A, 250 VAC (AU20LS3/Saf-D-Grid)	
	CAB-AC-16A-SG-EU	16A, 250 VAC	
Israel	CAB-AC-16A-SG-IS	16 A, 250 VAC	



Locale	Power Cord Part Number	Cord Set Rating	Power Cord Illustration
International/UK	CAB-AC-16A-SG-IN	16 A, 250 VAC	 <p data-bbox="1003 472 1175 506">Plug: IEC60309</p> <p data-bbox="1372 575 1620 632">PID: CAB-AC-16A-SG-I CPN: 37-1659-01</p>
Italy	CAB-AC-16A-SG-IT	16 A, 250 VAC	 <p data-bbox="943 890 1414 919">Plug: CEI 23-50 Saf-D-Grid "T" Latch 3-5958P4</p> <p data-bbox="1365 867 1414 896">Plug:</p> <p data-bbox="1365 961 1414 1010">501808</p>
South Africa	CAB-AC-16A-SG-SA	16 A, 250 VAC	 <p data-bbox="1019 1255 1110 1285">Plug: EL</p> <p data-bbox="1500 1255 1620 1285">Plug: Saf-D-</p> <p data-bbox="1252 1346 1533 1402">PID: CAB-AC-16A-SG-SA CPN: 37-1647-01</p>

Locale	Power Cord Part Number	Cord Set Rating	Power Cord Illustration
Switzerland	CAB-AC-16A-SG-SW	16 A, 250 VAC	 <p>Plug: SEV 5934-2</p> <p>Plug: Saf-D-Grid "T" Latch 3-5958P4</p> <p>PID: CAB-AC-16A-SG-SW CPN: 37-1654-01</p>
North America	CAB-AC-20A-SG-C20	250 VAC 20 A	 <p>Plug: IEC C20</p> <p>Plug: Saf-D-Grid "T" Latch 3-5958P4</p> 
North America	CAB-AC-20A-SG-US	16 A, 250 VAC	 <p>Plug: NEMA 5-20P</p> <p>Saf-D-Grid "T" Latch 3-5958P4</p> <p>Plug: Saf-D-Grid "T" Latch 3-5958P4</p> 
North America (non locking) 200-240 VAC operation	CAB-AC-20A-SG-US2	250 VAC 20 A	 <p>Plug: NEMA 6-20</p> <p>Plug: Saf-D-Grid "T" Latch 3-5958P4</p> <p>PID: CAB-AC-20A-SG-US2 CPN: 37-1657-01</p>
North America	CAB-AC-20A-SG-US3	250 VAC 20 A	 <p>250 VAC 20A, twist lock, NEMA L6-20/Saf-D-Grid</p> 

Locale	Power Cord Part Number	Cord Set Rating	Power Cord Illustration
North America 277 VAC operation	CAB-AC-20A-SG-US4	277 VAC 20 A	 <p data-bbox="992 485 1208 512">Plug: NEMA L7-20P</p> <p data-bbox="1354 575 1620 632">PID: CAB-AC-20A-SG-US4 CPN: 37-1645-1</p>
International, Saf-D-Grid/Saf-D-Grid	CAB-HV-25A-SG-IN1	400 VAC 20 A	 <p data-bbox="954 877 1386 905">Plug: Saf-D-Grid "T" Latch 3-5958P4</p> <p data-bbox="1528 877 1620 905">Plug: Saf-D-Grid</p>  <p data-bbox="1328 1037 1620 1094">PID: CAB-HV-25A-SG-IN1 CPN: 37-1642-01</p>
International, Ring Terminal source plug, Ring Terminal/Saf-D-Grid	CAB-HV-25A-SG-IN2	20A, 300 VAC/500 VDC	 <p data-bbox="954 1329 1300 1356">Plug: 3/8-inch Ring Terminals</p> <p data-bbox="1354 1329 1620 1356">Plug: Saf-D-Grid "T" Latch 3-5958P4</p> <p data-bbox="1214 1419 1528 1476">PID: CAB-HV-25A-SG-IN2 CPN: 37-1640-01</p>
North America	CAB-HV-25A-SG-US1	277 VAC/ 240 VDC/ 380 VDC 25 A	 <p data-bbox="943 1598 1170 1640">Plug: Saf-D-Grid "T" Latch 3-5958P4</p> <p data-bbox="1192 1598 1419 1640">Plug: Saf-D-Grid "T" Latch 3-5958P4</p>  

Locale	Power Cord Part Number	Cord Set Rating	Power Cord Illustration
North America	CAB-HV-25A-SG-US2	277 VAC/ 240 VDC/ 380 VDC 25 A	 <p>Plug: 3/8-inch Ring Terminals</p> <p>Plug: Saf-D-Grid "T" Latch 3-5958P4</p> <p>501432</p>
All except Argentina, Brazil, and Japan	NO-PWR-CORD	No power cord included with order	N.A.

### 3-kW DC Power Supply Power Cord Specifications

Each 3-kW DC power supply requires four customer-supplied power cables (two negative cables and two positive cables). We recommend using six gauge cables. Cisco supplies 6-gauge lugs for connections to the power supply. You supply the connectors that are required to connect the cables to the DC power source.



## APPENDIX B

### LEDs

- [Chassis LEDs, on page 123](#)
- [System Controller LEDs, on page 124](#)
- [Supervisor Module LEDs, on page 124](#)
- [Fan Tray LEDs, on page 125](#)
- [Fabric Module LEDs, on page 126](#)
- [Line Card LEDs, on page 126](#)
- [Power Supply LEDs, on page 127](#)

### Chassis LEDs

The chassis LEDs are located at the top of the front of the chassis. They indicate whether each module (supervisors, controllers, line cards, fabric modules, fan trays, and power supplies) is fully functional or have a fault condition. The following table describes the possible states for each of these LEDs.

LED	Color	Status
BCN	Flashing blue	The operator has activated this LED to identify this chassis.
	Off	This chassis is not being identified.
SUP	Green	Supervisor modules are all operational.
	Amber	Check the <a href="#">Supervisor Module LEDs</a> for more information.
FAB	Green	Fabric modules are all operational.
	Amber	Check the FAB LED description in the <a href="#">Fan Tray LEDs</a> for more information.
IOM	Green	Line cards (I/O modules) are all operational.
	Amber	Check <a href="#">Line Card LEDs, on page 126</a> for more information.
PSU	Green	Power supplies are all operational.
	Amber	Check the <a href="#">Power Supply LEDs</a> for more information.

LED	Color	Status
FAN	Green	Fan trays are all operational.
	Amber	Check the <a href="#">Fan Tray LEDs</a> for more information.
PWR MGMT	Green	Sufficient power is available for all the installed modules.
	Amber	Either of the following: <ul style="list-style-type: none"> <li>• Insufficient power for at least one of the installed modules.</li> <li>• The configured power redundancy mode differs from the operational power redundancy.</li> </ul>

## System Controller LEDs

The system controller module LEDs are located on the left side of the module. The following table describes the possible states for each of these LEDs.

LED	Color	Status
BCN	Flashing blue	The operator has activated this LED to identify this module in the chassis.
	Off	This module is not being identified.
STS	Green	This module is operational.
	Flashing amber	This module is booting up.
	Flashing red	Temperature exceeds the major alarm threshold.
	Off	The module is not receiving power.
ACT	Green	The controller module is operational and in active mode.
	Amber	The controller module is operational and in standby mode.

## Supervisor Module LEDs

The Beacon (BCN), Status (STS), and Active (ACT) LEDs are located on the lower left front of the supervisor module. The management port link and active LEDs are located immediately above the port on the front of the module. The following table describes the possible states for each of these LEDs.

LED	Color	Status
BCN	Flashing blue	The operator has activated this LED to identify this module in the chassis.
	Off	This module is not being identified.

LED	Color	Status
STS	Green	This module is operational.
	Flashing amber	This module is booting up.
	Flashing red	Temperature exceeds the major alarm threshold.
	Off	The module is not receiving power.
ACT	Green	This module is operational and in active mode.
	Amber	This module is operational and in standby mode.
(management port LINK)	Green	The management port is linked up.
	Off	The management port is not linked up.
(management port ACT)	Flashing green	The module is transmitting or receiving.
	Off	The module is not transmitting or receiving.

## Fan Tray LEDs

The fan tray LEDs are located on the lower right portion of the module. The following table describes the possible states for each of these LEDs.

**Table 3: LEDs for Fan Tray N9K-C9504-FAN**

LED	Color	Status
BCN	Blue	The operator has activated this LED to identify this module in the chassis.
	Off	This module is not being identified.
FAN	Green	The fan tray is operational.
	Red	One or more fans in this fan tray has failed.
	Off	No power is going to the fan tray. Verify that the even numbered fabric slot (FM 2, FM 4, or FM 6) behind the fan tray has one of the following in order to power the fan tray: <ul style="list-style-type: none"> <li>Functioning fabric module (N9K-C9504-FM, N9K-C9504-FM-E, or N9K-C9504-FM-S)</li> </ul>
FAB	Green	The fabric modules behind this fan tray are operational.
	Amber	At least one fabric module behind this fan tray is not operating.
	Off	No power is going to the fabric module behind this fan tray.

## Fabric Module LEDs

The fabric modules are located behind the fan trays. The following table describes the possible states for each of these LEDs.

LED	Color	Status
BCN/top LED	Blue	The operator has activated this beacon (BCN) LED to identify this module in the chassis.  <b>Note</b> When the operator activates the BCN/top LED, the BCN LED on the covering fan module also activates (lights).
	Off	This module is not being identified.
Status/bottom LED	Green	The fabric module is operational.
	Flashing green	First press of the ejector button has been registered
	Flashing yellow	The removal of the module is in progress
	Flashing red	The fabric module has a fault.
	Flashing amber	The fabric module is booting up.
	Off	No power is going to the fabric module.

## Line Card LEDs

The Beacon (BCN) and Status (STS) LEDs are located on the front, toward the left side of the module. The Link LED for each port is located either between the two rows of ports, or if there is a single row of ports, placed up/down between ports. Each of the Link LEDs is a triangle pointing to the port above or below the LED. The following table describes the possible states for each of these LEDs.

LED	Color	Status
BCN	Flashing blue	The operator has activated this LED to identify this module in the chassis.
	Off	This LED is not being used.



LED	Color	Status
STS	Green	All diagnostics passed. This module is operational (normal initialization sequence).
	Flashing red	Indicates one of the following: <ul style="list-style-type: none"> <li>• The module has detected a slot ID parity error and will not power on or boot up.</li> <li>• The module is not fully inserted, and it is not making a reliable connection with the supervisor.</li> <li>• The module has failed diagnostic tests and has powered down.</li> <li>• An overtemperature condition has occurred. A major temperature threshold has been exceeded during environmental monitoring.</li> </ul>
	Flashing amber	Indicates one of the following: <ul style="list-style-type: none"> <li>• The module is booting up or initializing.</li> <li>• The module is resetting and both ejector levers are out.</li> <li>• The module has been inserted during the initialization process.</li> <li>• The module could not power up because of insufficient power.</li> </ul>
	Off	The module is not receiving power.
Link (for each port)	Green	The port is active (the link is connected and active).
	Orange	The operator has disabled the port or is not initializing.
	Flashing orange	Beacon is enabled for the port. Or the port is faulty and disabled.
	Off	The port is not active or the link is not connected.

## Power Supply LEDs

The power supply LEDs are located on the upper left front portion of the module. The following table describes the possible states for each of these LEDs.

OK LED	FAIL or FAIL/ID LED	Status
Green	Off	Power supply is on and outputting power to the switch.
Flashing green	Off	Power supply is connected to an AC power source but not outputting power to the switch. The power supply may not be properly installed in the chassis.
Off	Off	Either all the installed power supplies are not receiving power or an uninstalled power supply is not receiving power.

OK LED	FAIL or FAIL/ID LED	Status
Off	Flashing amber	Power supply is operating but a warning condition has occurred—possibly one of the following conditions: <ul style="list-style-type: none"> <li>• High temperature</li> <li>• High power</li> <li>• Slow power supply fan</li> <li>• Low voltage</li> <li>• Power supply is installed in the chassis but was disconnected from the power source.</li> </ul>
Off	Flashing amber (10 seconds) then amber	Power supply is installed without a connection to a power source.
Off	Amber	Power supply failure—possibly one of the following conditions: <ul style="list-style-type: none"> <li>• Over voltage</li> <li>• Over current</li> <li>• Over temperature</li> <li>• Power supply fan failure</li> </ul>



# APPENDIX C

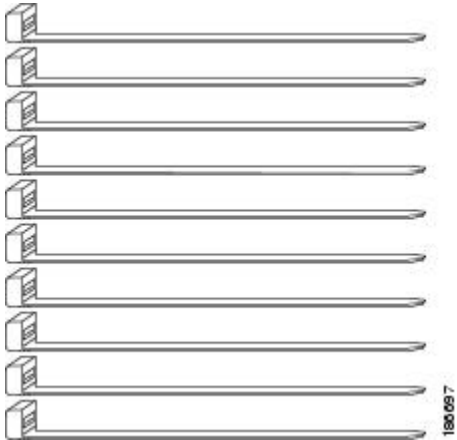
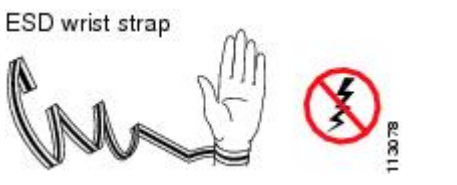
## Additional Kits

- [Accessory Kit, on page 129](#)

### Accessory Kit

The following table lists and illustrates the contents for the accessory kit (N9K-C9500-ACK).

Illustration	Description	Quantity
	Support rails kit 2 x 3/4 in. Phillips screws (20) and (20) 1 x 3/4 in. Phillips screws (20) 19-mm Phillips screws (20) Stable bottom-support rails (2)	1 kit
	RJ-45 rollover cable	1
	DB-9F/RJ-45F PC terminal	1
	Ground lug kit • Two-hole lug (1) • M4 x 8-mm Phillips pan-head screws (2)	1 kit

Illustration	Description	Quantity
	Cable tie, 8.5 inches (10)	1
	ESD wrist strap (disposable)	1
Not applicable	Hazardous substances list for customers in China	1
Not applicable	Cisco Information Packet	1
Not applicable	1-Year Limited Warranty for Hardware	1



**Note** If you do not receive a part that is listed in this document, contact Cisco Technical Support at this URL: <http://www.cisco.com/warp/public/687/Directory/DirTAC.shtml>.

If you purchased this product through a Cisco reseller, you may receive contents in your kit, such as documentation, hardware, and power cables.

The product shipment includes a power cord for each 3-kW AC or Universal AC/DC power supply. You supply a grounding cable (6 AWG recommended) for up to 45 A.

The shipped cables depend on your specification when placing an order.