



Mobile VoIP for Differentiated Operator Services

MWC 2008



11-14 February 2008

Smartphones and Flat-Rate Mobile Broadband Plans Driving Significant Mobile Web Usage

Get X-Series Silver	Get X-Series Gold
X-Series Silver	X-Series Gold
Included with X-Series Silver	Included with X-Series Gold
Unlimited	Unlimited
<ul style="list-style-type: none"> ◆ International Calling with Skype* ◆ Internet Access* ◆ Windows Live Messenger* 	<ul style="list-style-type: none"> ◆ International Calling with Skype* ◆ Internet Access* ◆ Windows Live Messenger* ◆ Access to your home TV and PC



T-Mobile web'n'walk

Why choose web'n'walk?

- Web'n'walk gives you **unlimited* browsing and email** on your phone
- **Surf the whole internet** - we don't restrict the sites you can look at
- **Just £7.50 per month** on top of any FlexT voice plan



iPhone
Coming 9th November.
Only on O₂

iPhone
Sortie le 29 novembre.

iPhone associe trois produits extraordinaires : un téléphone mobile révolutionnaire, un iPod tactile à écran panoramique et un terminal Internet précurseur doté d'une messagerie électronique au format HTML enrichi, d'un outil complet de navigation web, de fonctions de recherche et de cartographie. Avec une interface multi-touch sophistiquée et des logiciels novateurs, iPhone redéfinit entièrement ce que vous pouvez faire avec un téléphone mobile. Rendez-vous sur le [site US](#) pour en savoir plus sur iPhone.

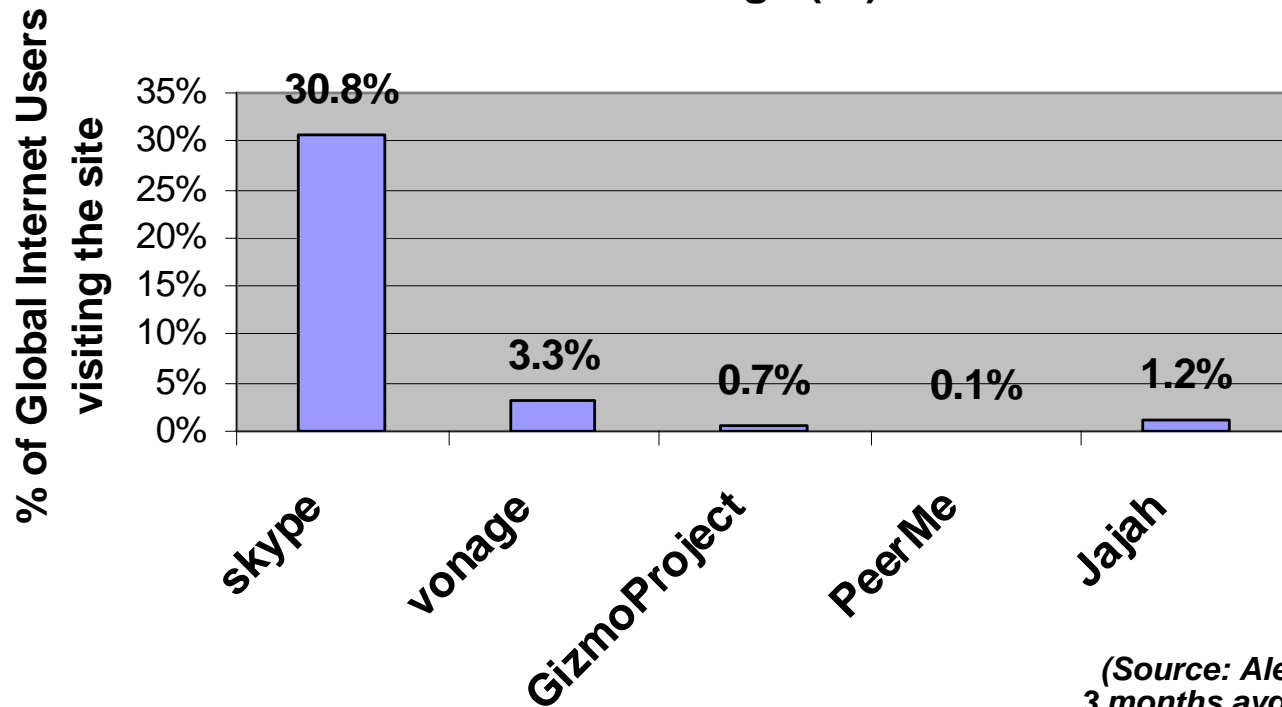
En exclusivité avec Orange.
En savoir plus sur le partenariat exclusif entre Orange et Apple.

vodafone

VoIP Global Usage

User Statistics

3 Months Average (%)



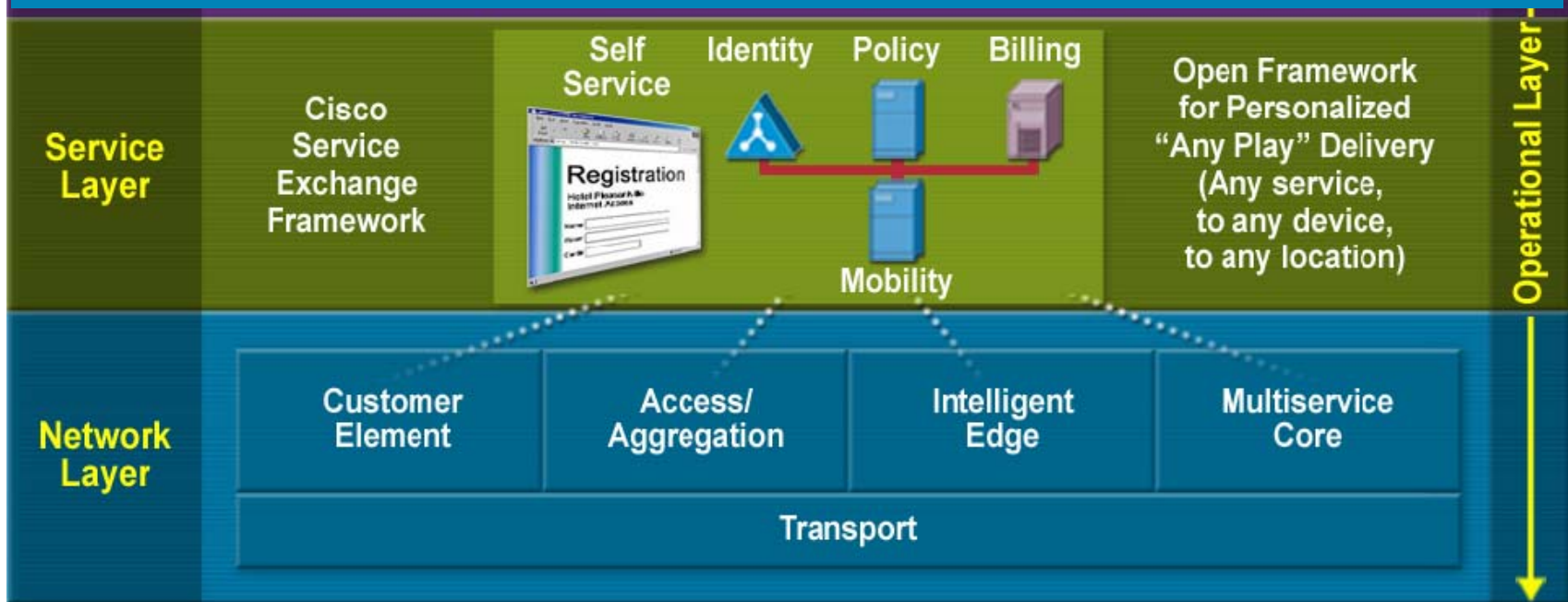
(Source: Alexa.com, Oct. 2007;
3 months avg of Aug - Oct 2007)

VoIP on Mobile may shape up as next battlefield for operator revenues

Cisco IP NGN Vision

Leading Enabler for IP Applications

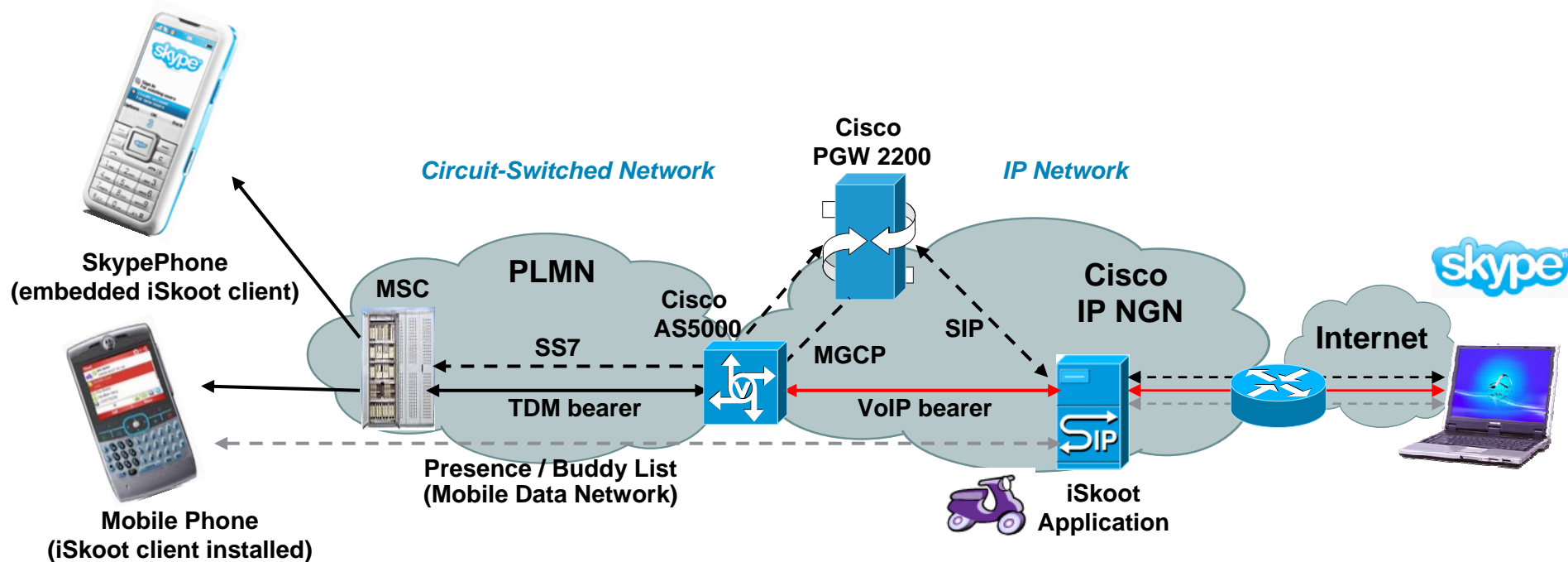
The Cisco IP NGN architecture is a fundamental infrastructure for applications innovation to enable Service Providers to offer profitable services to their business and consumer subscribers.



Intelligent Networking

Skype for Mobile

Cisco IP Next Generation Network Innovation



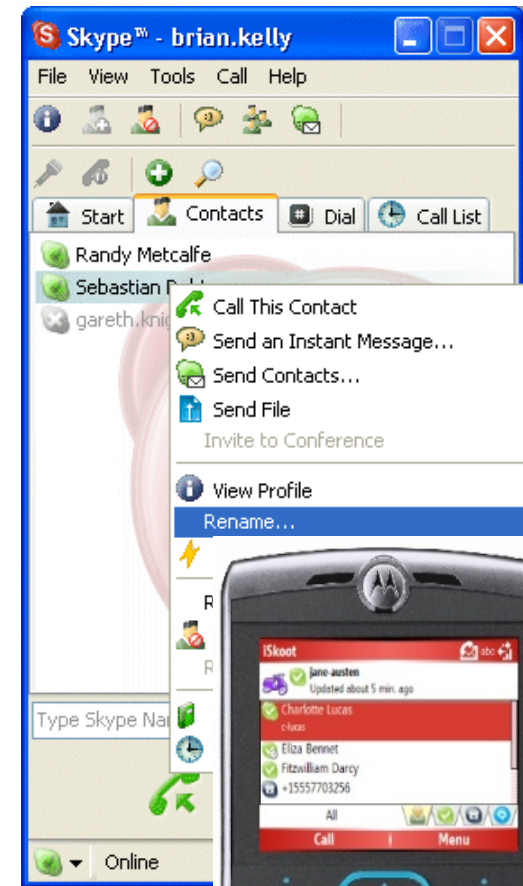
- ***iSkoot software client – download to smartphone or embedded on SkypePhone***
- ***Network-based Mobile Skype Gateway solution – Cisco PGW 2200 Softswitch, Cisco AS5000 Series media gateways, and iSkoot application server***
- ***Leverages operators' existing circuit-switched voice network infrastructure***
- ***Mobile subscribers extend their “Friends and Family” network to include any online Skype contact on any connected device***

iSkoot

- Full-featured mobile Skype application that uses the voice channel to deliver:
 - Mobility:** Stay connected with members of your IM community anytime, anywhere
 - Inbound and Outbound Internet Calling capabilities:** Skype-to-Skype and SkypeOut™
 - Instantaneous Live Chat**
 - Presence:** Manage your online status and check the availability of colleagues, friends and family
 - NO dependency on WiFi and Hotspots**
 - The highest Mobile VoIP voice quality**
- Tailored for a wide variety of mobile handsets on native platforms
 - UIQ3**
 - Symbian**
 - Palm**
 - Blackberry**
 - Windows Mobile**
 - J2ME**

User Features

- **Login**
 - Existing account
- **Mobile Originated Calling**
 - Allows users to make a call to any online contact
- **Mobile Terminated Calling**
 - Allows users to receive a call from any online contact
- **Presence**
 - Set your own status (Online, Away, Not Available)
 - See buddy status
 - Add and Remove Buddy
- **Chat**
 - Chat Notification
 - Chat Templates
 - Edit Templates
 - Emoticons
- **Quick Search**
 - Search for a buddy just by typing without the need to scroll



Mobile Operator Benefits

- **Bridges internet Skype users to mobile phones on switched voice network**
- **Leverages operators' existing voice services infrastructure, billing, NMS**
- **Brings innovative features to mobile phones, e.g., presence, buddy lists**
- **Offset decline in mobile voice revenues with Operator-branded mobile VoIP**

