



Quick Start Guide



Cisco Small Business

WAP2000 Wireless-G Access Point with Power Over Ethernet

Package Contents

- Wireless-G Access Point with Power Over Ethernet
- Detachable Dipole Antennas (2)
- Power Adapter
- Ethernet Cable
- CD-ROM
- Quick Start Guide

Welcome

Thank you for choosing the WAP2000 Wireless-G Access Point with Power Over Ethernet. The access point features RangeBooster technology that is compatible with standard 802.11g but with a range up to two times further and throughput up to 35 percent faster. Unlike ordinary wireless technologies that are hampered by wireless signals that reflect off walls, ceilings, and other objects, RangeBooster uses these multiple signals with two smart receivers at each end (router or access point and client adapter) to boost range and throughput speeds. As a result, a RangeBooster solution reduces or eliminates wireless signal dead spots in offices and other buildings so users can connect to the network in more areas.

This guide describes how to physically install your WAP2000 and how to set up a basic configuration by using the configuration utility.

1 Before You Begin

Before you begin the installation, make sure that you have the following equipment and services:

- Tools for installing the hardware
- Category 5e Ethernet cable
- PC with Microsoft Internet Explorer (6.0 or later) or Mozilla Firefox for using the web-based system management tools
- A Cisco Small Business Power over Ethernet (PoE) switch or a switch and a 802.3af compliant power injector
- *(Recommended)* Uninterruptible Power Supply (UPS) to provide backup power to essential devices

2 Getting to Know the WAP2000

This section describes the external features of the WAP2000.

Front Panel



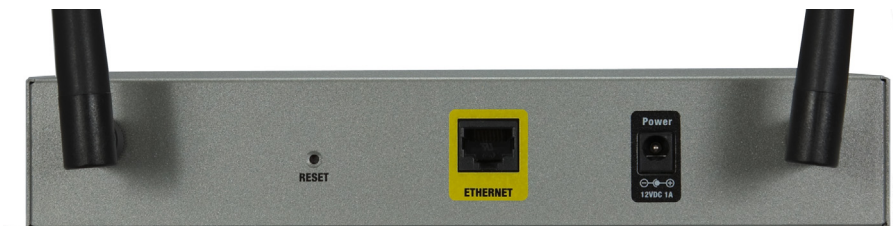
POWER—(Green) Lights up when the access point is powered on.

PoE—(Green) Lights up when the access point is powered through an Ethernet cable.

WIRELESS—(Green) Lights up when the wireless module is active on the access point. The LED flashes when the access point is actively sending or receiving data from a wireless device.

Ethernet—(Green) Lights up when the access point successfully connects to a device through the Ethernet network port. This LED flashes when the access point is actively sending to or receiving data from one of the devices over the Ethernet network port.

Back Panel



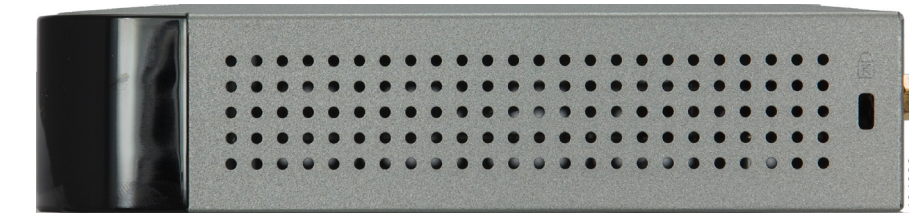
Antenna Ports—The access point has two antenna ports for connecting detachable 3 dBi omnidirectional antennas. Adjust the two antennas so that they form a 90 degree angle for best MIMO range performance.

RESET Button—There are two ways to reset the access point to the factory default configuration. Either press the Reset button for more than ten seconds or restore the defaults using the web-based utility of the access point. If you press the Reset button for less than ten seconds, the access point will simply reboot.

ETHERNET Port—Connects to Ethernet network devices, such as a switch or router. The access point can be powered using Power over Ethernet.

POWER Port—Connects the access point to power using the supplied power adapter. Use this option if your switch or router doesn't support Power over Ethernet.

Side Panel



Security Slots—The security slots can be utilized to attach a lock to the access point.

3 Installing the WAP2000

You can place your WAP2000 on a desktop or mount it on a wall.

Placement Tips

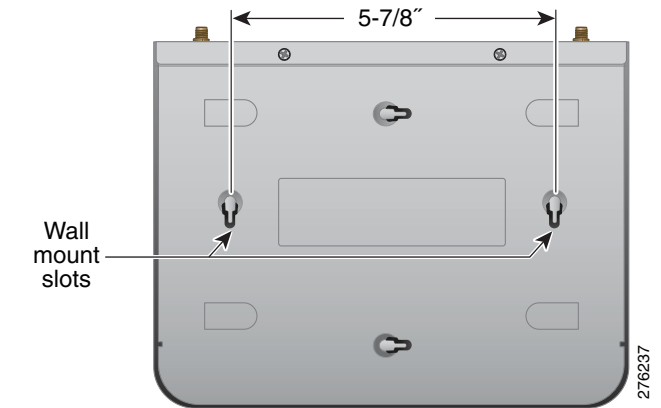
- **Ambient Temperature**—To prevent the WAP2000 from overheating, do not operate it in an area that exceeds an ambient temperature of 131°F (55°C).
- **Air Flow**—Be sure that there is adequate air flow around the WAP2000.
- **Mechanical Loading**—Be sure that the WAP2000 is level and stable to avoid any hazardous conditions.
- **Power Outlet**—Choose a location that is within reach of a power outlet.

Wall Mounting

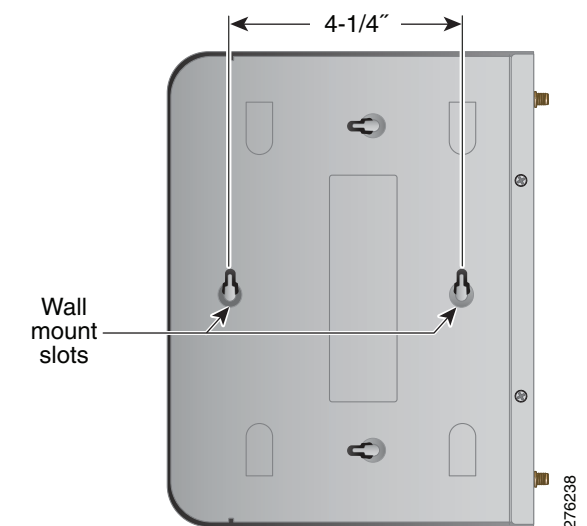
The WAP2000 can be mounted either vertically or horizontally.

STEP 1 Determine where you want to mount the access point and install two screws (not supplied) into the wall for either vertical or horizontal placement.

For horizontal placement, orient the access point as shown:



For vertical placement, orient the access point as shown:



STEP 2 Line up the WAP2000 so that the wall-mount slots on the bottom of the access point line up with the two screws.

STEP 3 Place the wall-mount slots over the screws and slide the access point down until the screws fit snugly into the wall-mount slots.

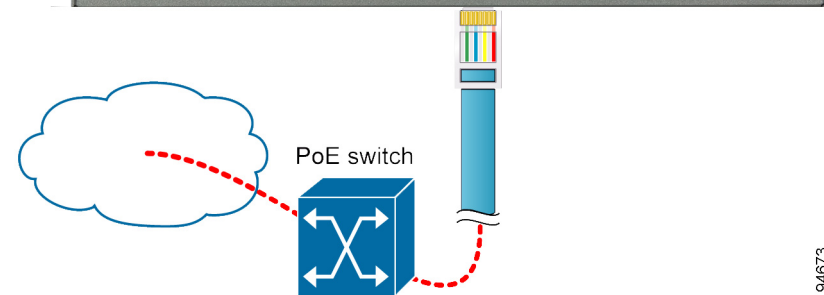
4 Connecting the Equipment

You can connect the WAP2000 to your network in one of the following ways:

- Using a PoE router or switch
- Using a standard router or switch

Using a PoE Router or Switch to Connect the WAP2000

To connect the WAP2000 to your network using a PoE router or switch, use the supplied Ethernet cable to connect the Ethernet port of the access point to a PoE port on the PoE router or switch.



The LEDs on the front panel light up as soon as the WAP2000 powers on.

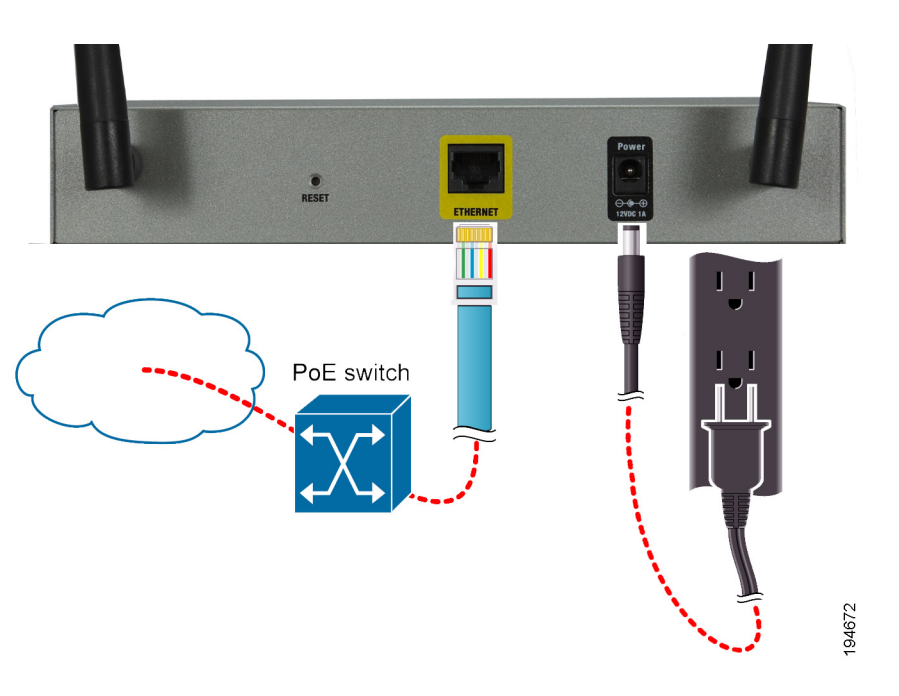
Using a Standard Router or Switch to Connect the WAP2000

To connect the WAP2000 to your network using a standard switch, follow these steps.

STEP 1 Use the supplied Ethernet cable to connect the Ethernet port of the access point to an Ethernet port on the router or switch.

STEP 2 Connect the included power adapter to the Power port of the WAP2000.

STEP 3 Plug the power adapter into an electrical outlet.



The LEDs on the front panel light up as soon as the WAP2000 powers on.

5 Verifying the Hardware Installation

To verify the hardware installation, complete the following tasks:

- Check the cable connections.
- Check the LED states, as described in [Getting to Know the WAP2000, page 1](#).

NOTE If you need help resolving a problem, visit the Cisco Small Business Support Community at www.cisco.com/go/smallbizsupport. For technical documentation and other links, see [Where to Go From Here, page 2](#).

6 Configuring the Device

The firmware v2.0.3.4 or later releases changed the factory default IP address configuration to DHCP. Before installation, make sure your DHCP server is running and can be reached. You may need to disconnect and reconnect the devices for them to discover their new IP addresses from the DHCP server.

If the WAP2000 access point does not receive a DHCP response after 60 seconds, it falls back to the following default static IP address: 192.168.1.245 and a default mask of 255.255.255.0.

To configure the access point, follow these steps to access the device's web-based configuration utility from your computer.

STEP 1 Connect the WAP2000 Access Point to the same network as your computer.

STEP 2 Locate the IP address of the WAP2000 Access Point by accessing your DHCP server. Specific instructions on locating the DHCP address given to the WAP2000 Access Point depends upon the type of architecture and operating system you are using. Use your computer's local Help and Support functionality and search for "IP Addressing".

STEP 3 Launch a web browser, such as Internet Explorer or Mozilla Firefox.

STEP 4 In the Address field enter the default DHCP address and press the **Enter** key.

STEP 5 In the User Name and Password fields enter the default of **admin**.

STEP 6 Click **OK**.

7 Suggested Next Steps

Congratulations, you are now ready to begin using your WAP2000. You may wish to consider taking some of the following steps:

- Change the default password of the access point to protect it from unauthorized use.

- Depending on your deployment requirements, you might need to change some of the configuration parameters of the access point.
- Update the firmware version.
- For more information on how to change the password and configure the access point, refer to the *Cisco WAP2000 Wireless-G Access Point with Power Over Ethernet Administration Guide*. This guide is on the CD-ROM that comes with the product. You can also access this guide and other related documentation on Cisco.com, as indicated in the next section.

8 Where to Go From Here

Support	
Cisco Small Business Support Community	www.cisco.com/go/smallbizsupport
Online Technical Support and Documentation (Login Required)	www.cisco.com/support
Phone Support Contacts	www.cisco.com/en/US/support/tsd_cisco_small_business_support_center_contacts.html
Software Downloads (Login Required)	Go to tools.cisco.com/support/downloads , and enter the model number in the Software Search box.
Product Documentation	
Cisco WAP2000 Wireless-G Access Point with Power Over Ethernet	http://www.cisco.com/en/US/products/ps10049/index.html
Cisco Small Business	
Cisco Partner Central for Small Business (Partner Login Required)	www.cisco.com/web/partners/sell/smb
Cisco Small Business Home	www.cisco.com/smb
Marketplace	www.cisco.com/go/marketplace

Americas Headquarters
Cisco Systems, Inc.
170 West Tasman Drive
San Jose, CA 95134-1706
USA
<http://www.cisco.com>
Tel: 408 526-4000
800 553-NETS (6387)
Fax: 408 527-0883



Cisco, Cisco Systems, the Cisco logo, and the Cisco Systems logo are registered trademarks or trademarks of Cisco Systems, Inc. and/or its affiliates in the United States and certain other countries. All other trademarks mentioned in this document or Website are the property of their respective owners. The use of the word partner does not imply a partnership relationship between Cisco and any other company. (0705R)

© 2009 Cisco Systems, Inc. All rights reserved.

♻️ Printed in the USA on recycled paper containing 10% postconsumer waste.