



Preface

Audience

This guide is for the networking professional who installs and manages the Cisco Aironet 1100 Series Access Point. The 1100 series access point is available in autonomous and lightweight configurations.

To use this guide with autonomous access points, you should have experience working with Cisco IOS software and be familiar with the concepts and terminology of wireless local area networks.

To use this guide with lightweight access points, you should have experience working with a Cisco Wireless LAN Controller and be familiar with the concepts and terminology of wireless local area networks.

Purpose

This guide provides the information you need to install your autonomous or lightweight access point.

For detailed information about Cisco IOS commands used with autonomous access points, refer to the *Cisco IOS Command Reference for Cisco Aironet Access Points and Bridges* for this release. For information about the standard Cisco IOS Release 12.3 commands, refer to the Cisco IOS documentation set available from the Cisco.com home page at **Technical Support & Documentation**. On the Technical Support & Documentation home page, click **Cisco IOS Software > Cisco IOS Software Releases 12.3 Mainline**.

For information about Cisco Wireless LAN Controllers, refer to the Cisco documentation sets available from the Cisco.com home page at **Technical Support & Documentation**. On the Technical Support & Documentation home page, click **Wireless** and the documentation is listed under the “Wireless LAN Controllers” section.

Organization

This guide is organized into these chapters:

[Chapter 1, “Overview,”](#) lists the software and hardware features of the access point and describes the access point’s role in your network.

[Chapter 2, “Installing the Access Point,”](#) describes how to connect Ethernet and power cables and provides an installation summary, safety warnings, and general guidelines.

Chapter 3, “Mounting Instructions,” describes how to mount the access point on a desktop, wall, or ceiling.

Chapter 4, “2.4-GHz Radio Upgrade for Autonomous Access Points,” provides upgrade instructions for changing the 2.4 GHz radio

Chapter 5, “Troubleshooting Autonomous Access Points,” provides troubleshooting procedures for basic problems with the autonomous access point.

Chapter 6, “Troubleshooting Lightweight Access Points,” provides troubleshooting procedures for basic problems with the lightweight access point.

Appendix A, “Translated Safety Warnings,” indicates how to access the document that provides translations of the safety warnings that appear in this publication.

Appendix B, “Declarations of Conformity and Regulatory Information,” provides declarations of conformity and regulatory information for the access point.

Appendix C, “Access Point Specifications,” lists technical specifications for the access point.

Appendix D, “Channels and Maximum Power Levels,” indicates how to access the document that lists the access point radio channels and the maximum power levels supported by the world’s regulatory domains.

Appendix E, “Priming Lightweight Access Points Prior to Deployment,” describes the procedure to prime lightweight access points with controller information.

Appendix F, “Configuring DHCP Option 43 for Lightweight Access Points,” describes the procedure to configure DHCP Option 43 for lightweight access points.

Conventions

This publication uses these conventions to convey instructions and information:

Command descriptions use these conventions:

- Commands and keywords are in boldface text.
- Arguments for which you supply values are in italic.
- Square brackets ([]) mean optional elements.
- Braces ({ }) group required choices, and vertical bars (|) separate the alternative elements.
- Braces and vertical bars within square brackets ([{ | }]) mean a required choice within an optional element.

Interactive examples use these conventions:

- Terminal sessions and system displays are in screen font.
- Information you enter is in **boldface screen** font.
- Nonprinting characters, such as passwords or tabs, are in angle brackets (<>).

Notes, cautions, and timesavers use these conventions and symbols:



Tip

Means the following will help you solve a problem. The tips information might not be troubleshooting or even an action, but could be useful information.

**Note**

Means reader take note. Notes contain helpful suggestions or references to materials not contained in this manual.

**Caution**

Means reader be careful. In this situation, you might do something that could result equipment damage or loss of data.

**Warning**

This warning symbol means danger. You are in a situation that could cause bodily injury. Before you work on any equipment, be aware of the hazards involved with electrical circuitry and be familiar with standard practices for preventing accidents. (To see translations of the warnings that appear in this publication, refer to the appendix “Translated Safety Warnings.”)

Waarschuwing

Dit waarschuwingssymbool betekent gevaar. U verkeert in een situatie die lichamelijk letsel kan veroorzaken. Voordat u aan enige apparatuur gaat werken, dient u zich bewust te zijn van de bij elektrische schakelingen betrokken risico's en dient u op de hoogte te zijn van standaard maatregelen om ongelukken te voorkomen. (Voor vertalingen van de waarschuwingen die in deze publicatie verschijnen, kunt u het ahangsel “Translated Safety Warnings” (Vertalingen van veiligheidsvoorschriften) raadplegen.)

Varoitus

Tämä varoitusmerkki merkitsee vaaraa. Olet tilanteessa, joka voi johtaa ruumiinvammaan. Ennen kuin työskentelet minkään laitteiston parissa, ota selvää sähkökytkentöihin liittyvistä vaaroista ja tavanomaisista onnettomuuksien ehkäisykeinoista. (Tässä julkaisussa esiintyvien varoitusten käännökset löydät liitteestä “Translated Safety Warnings” (käännetyt turvallisuutta koskevat varoitukset).)

Attention

Ce symbole d'avertissement indique un danger. Vous vous trouvez dans une situation pouvant entraîner des blessures. Avant d'accéder à cet équipement, soyez conscient des dangers posés par les circuits électriques et familiarisez-vous avec les procédures courantes de prévention des accidents. Pour obtenir les traductions des mises en garde figurant dans cette publication, veuillez consulter l'annexe intitulée « Translated Safety Warnings » (Traduction des avis de sécurité).

Warnung

Dieses Warnsymbol bedeutet Gefahr. Sie befinden sich in einer Situation, die zu einer Körperverletzung führen könnte. Bevor Sie mit der Arbeit an irgendeinem Gerät beginnen, seien Sie sich der mit elektrischen Stromkreisen verbundenen Gefahren und der Standardpraktiken zur Vermeidung von Unfällen bewußt. (Übersetzungen der in dieser Veröffentlichung enthaltenen Warnhinweise finden Sie im Anhang mit dem Titel “Translated Safety Warnings” (Übersetzung der Warnhinweise).)

Avvertenza

Questo simbolo di avvertenza indica un pericolo. Si è in una situazione che può causare infortuni. Prima di lavorare su qualsiasi apparecchiatura, occorre conoscere i pericoli relativi ai circuiti elettrici ed essere al corrente delle pratiche standard per la prevenzione di incidenti. La traduzione delle avvertenze riportate in questa pubblicazione si trova nell'appendice, “Translated Safety Warnings” (Traduzione delle avvertenze di sicurezza).

Advarsel	Dette varselsymbolet betyr fare. Du befinner deg i en situasjon som kan føre til personskade. Før du utfører arbeid på utstyr, må du være oppmerksom på de faremomentene som elektriske kretser innebærer, samt gjøre deg kjent med vanlig praksis når det gjelder å unngå ulykker. (Hvis du vil se oversettelser av de advarslene som finnes i denne publikasjonen, kan du se i vedlegget "Translated Safety Warnings" [Oversatte sikkerhetsadvarslar].)
Aviso	Este símbolo de aviso indica perigo. Encontra-se numa situação que lhe poderá causar danos físicos. Antes de começar a trabalhar com qualquer equipamento, familiarize-se com os perigos relacionados com circuitos eléctricos, e com quaisquer práticas comuns que possam prevenir possíveis acidentes. (Para ver as traduções dos avisos que constam desta publicação, consulte o apêndice "Translated Safety Warnings" - "Traduções dos Avisos de Segurança").
¡Advertencia!	Este símbolo de aviso significa peligro. Existe riesgo para su integridad física. Antes de manipular cualquier equipo, considerar los riesgos que entraña la corriente eléctrica y familiarizarse con los procedimientos estándar de prevención de accidentes. (Para ver traducciones de las advertencias que aparecen en esta publicación, consultar el apéndice titulado "Translated Safety Warnings.")
Varning!	Denna varningssymbol signalerar fara. Du befinner dig i en situation som kan leda till personskada. Innan du utför arbete på någon utrustning måste du vara medveten om farorna med elkretsar och känna till vanligt förfarande för att förebygga skador. (Se förklaringar av de varningar som förekommer i denna publikation i appendix "Translated Safety Warnings" [Översatta säkerhetsvarningar].)

Related Publications

These documents provide information about the autonomous access point:

- Release Notes for Cisco Aironet 1100 Series Access Points
- *Cisco IOS Command Reference for Cisco Aironet Access Points and Bridges*
- *CCisco IOS Software Configuration Guide for Cisco Aironet Access Points*

These documents provide information about the lightweight access point and the controller:

- *Release Notes for Cisco Aironet 1100 Series Access Points*
- *Cisco IOS Software Configuration Guide for Cisco Aironet Access Points*

Click this link to browse to the Support and Documentation home page:

<http://www.cisco.com/cisco/web/support/index.html>

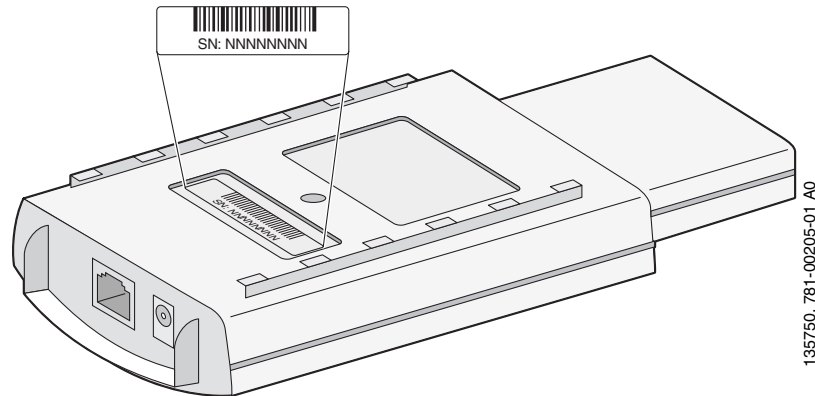
To browse to the 1100 series access point documentation, click **Cisco Aironet 1100 Series** listed under "Wireless LAN Access."

To browse to the Cisco Wireless LAN Controller documentation, click **Cisco 4400 Series Wireless LAN Controllers** or **Cisco 2000 Series Wireless LAN Controllers** listed under "Wireless LAN Controllers."

Locating the Product Serial Number

The access point serial number is located on the back of the housing (refer to [Figure 1](#)).

Figure 1 **Location of Serial Number Label**



The access point serial number label contains the following information:

- Model number, such as *AIR-AP1100* or *AIR-LAP1100*
- Serial number, such as *S/N: VDF0636XXXX* (11 alphanumeric digits)
- MAC address, such as *MAC: 00abc65094f3* (12 hexadecimal digits)
- Location of manufacture, such as *Made in Singapore*

You need your product serial number when requesting support from the Cisco Technical Assistance Center.

Obtaining Documentation and Submitting a Service Request

For information on obtaining documentation, submitting a service request, and gathering additional information, see the monthly *What's New in Cisco Product Documentation*, which also lists all new and revised Cisco technical documentation, at:

<http://www.cisco.com/en/US/docs/general/whatsnew/whatsnew.html>

Subscribe to the *What's New in Cisco Product Documentation* as a Really Simple Syndication (RSS) feed and set content to be delivered directly to your desktop using a reader application. The RSS feeds are a free service and Cisco currently supports RSS Version 2.0.

