



Intecom E14 Millennium Serial Integration Guide for Cisco Unity 4.0

Revised April 3, 2006

This document provides instructions for integrating the phone system with Cisco Unity.

Integration Tasks

Before doing the following tasks to integrate Cisco Unity with the Intecom E14 Millennium phone system, confirm that the Cisco Unity server is ready for the integration by completing the applicable tasks in the applicable Cisco Unity installation guide.

The following task lists describe the process for creating, changing, and deleting integrations.

Task List to Create the Integration

Use the following task list to set up a new integration with the Intecom E14 Millennium phone system. If you are installing a new Cisco Unity server by using the applicable Cisco Unity installation guide, you may have already completed some of the following tasks.

1. Review the system and equipment requirements to confirm that all phone system and Cisco Unity server requirements have been met. See the [“Requirements” section on page 2](#).
2. Plan how the voice messaging ports will be used by Cisco Unity. See the [“Planning How the Voice Messaging Ports Will Be Used by Cisco Unity” section on page 4](#).
3. Program the Intecom E14 Millennium phone system and extensions. See the [“Programming the Intecom E14 Millennium Phone System” section on page 6](#).
4. Create the integration. See the [“Creating a New Integration with the Intecom E14 Millennium Phone System” section on page 9](#).
5. Test the integration. See the [“Testing the Integration” section on page 13](#).
6. If you have a secondary server for Cisco Unity failover, integrate the secondary server. See the [“Integrating a Secondary Server for Cisco Unity Failover” section on page 16](#).



Corporate Headquarters:
Cisco Systems, Inc., 170 West Tasman Drive, San Jose, CA 95134-1706 USA

© 2006 Cisco Systems, Inc. All rights reserved.

Task List to Make Changes to an Integration

Use the following task list to make changes to an integration after it has been created.

1. Start the Cisco Unity Telephony Integration Manager (UTIM). See the “[Changing the Settings for an Existing Integration](#)” section on page 20.
2. Make the changes you want to the existing integration. See the “[Changing the Settings for an Existing Integration](#)” section on page 20.

Task List to Delete an Existing Integration

Use the following task list to remove an existing integration.

1. Start the Cisco Unity Telephony Integration Manager (UTIM). See the “[Deleting an Existing Integration](#)” section on page 20.
2. Delete the existing integration. See the “[Deleting an Existing Integration](#)” section on page 20.

Requirements

The Intecom E14 Millennium integration supports configurations of the following components:

Phone System

- Intecom E14 Millennium.
- Software version 11.2 or later.
- A port on the ITE line card connected with a digital line to a PDI-1000/DCE, which in turn is connected to a serial port (COM1 is the default) on the Cisco Unity server with an RS-232 serial cable.

We recommend that the serial cable have the following construction:

- A maximum of 50 feet (15.24 m) in length
- 24 AWG stranded conductors
- Low capacitance—for example, no more than 12 pF/ft (39.4 pF/m) between conductors
- At least 65 percent braided shield over aluminized polymer sleeve around conductors
- UL-recognized overall cable jacket insulation with low dielectric constant
- Braided shield fully terminated to and enclosed by a metal connector backshell
- Gold-plated connector contacts
- A T1/IXL card installed in the Interface Shelf, connected to the voice cards in the Cisco Unity server.
- The phone system ready for the integration as described in the installation guide for the phone system.

Cisco Unity Server

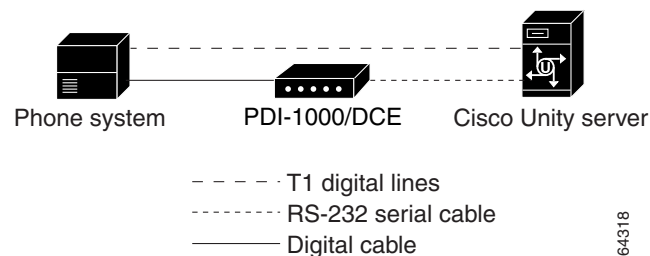
- The applicable voice cards, installed. For details, refer to the “Supported Circuit-Switched Phone System Integrations” section in your version of *Cisco Unity System Requirements* at http://www.cisco.com/en/US/products/sw/voicesw/ps2237/prod_installation_guides_list.html.

- Cisco Unity installed and ready for the integration, as described in the applicable Cisco Unity installation guide at http://www.cisco.com/en/US/products/sw/voicesw/ps2237/prod_installation_guides_list.html.
- A license that enables the applicable number of voice messaging ports.
- An available serial port (COM1 is the default).

Integration Description

The Intecom E14 Millennium integration uses a data link, which consists of a digital line, a PDI-1000/DCE, and an RS-232 serial cable connecting the phone system and the Cisco Unity server. The voice messaging lines from the phone system connect to the T1 voice cards in the Cisco Unity server. [Figure 1](#) shows the required connections.

Figure 1 T1 Connections Between the Phone System and Cisco Unity



Call Information

The phone system sends the following information through the data link:

- The extension of the called party
- The extension of the calling party (for internal calls) or the phone number of the calling party (if it is an external call and the system uses caller ID)
- The reason for the forward (the extension is busy, does not answer, or is set to forward all calls)

Cisco Unity uses this information to answer the call appropriately. For example, a call forwarded to Cisco Unity is answered with the personal greeting of the subscriber. If the phone system routes the call to Cisco Unity without this information, Cisco Unity answers with the opening greeting.

Integration Functionality

The Intecom E14 Millennium integration with Cisco Unity provides the following integration features:

- Call forward to personal greeting
- Call forward to busy greeting
- Caller ID
- Easy message access (a subscriber can retrieve messages without entering an ID because Cisco Unity identifies the subscriber based on the extension from which the call originated; a password may be required)

- Identified subscriber messaging (Cisco Unity identifies the subscriber who leaves a message during a forwarded internal call, based on the extension from which the call originated)
- Message waiting indication (MWI)

Integrations with Multiple Phone Systems

Depending on the version, Cisco Unity can be integrated with two or more phone systems:

- Cisco Unity 4.0 and 4.1 can be integrated with a maximum of two phone systems at one time. For information on and instructions for integrating Cisco Unity with two phone systems, refer to the *Dual Phone System Integration Guide* at http://www.cisco.com/univercd/cc/td/doc/product/voice/c_unity/integuid/multi/itmultipin.htm.
- Cisco Unity 4.2 and later can be integrated with two or more phone systems at one time. For information on the maximum supported combinations and instructions for integrating Cisco Unity with multiple phone systems, refer to the *Multiple Phone System Integration Guide* at http://www.cisco.com/univercd/cc/td/doc/product/voice/c_unity/integuid/multi/multicu42.htm.

Planning How the Voice Messaging Ports Will Be Used by Cisco Unity

Before programming the phone system, you need to plan how the voice messaging ports will be used by Cisco Unity. The following considerations will affect the programming for the phone system (for example, setting up the hunt group or call forwarding for the voice messaging ports):

- The number of voice messaging ports installed.
- The number of voice messaging ports that will answer calls.
- The number of voice messaging ports that will only dial out, for example, to send message notification, to set message waiting indicators (MWIs), to make AMIS deliveries, and to make telephone record and playback (TRAP) connections.

The following table describes the voice messaging port settings in Cisco Unity that can be set in UTIM, and that are displayed as read-only text on the System > Ports page of the Cisco Unity Administrator.

Table 1 **Settings for the Voice Messaging Ports**

| Field | Considerations |
|----------------------|--|
| Extension | Enter the extension for the port as assigned on the phone system. |
| Enabled | Check this check box to enable the port. The port is enabled during normal operation. Uncheck this check box to disable the port. When the port is disabled, calls to the port get a ringing tone but are not answered. Typically, the port is disabled only by the installer during testing. |
| Answer Calls | Check this check box to designate the port for answering calls. These calls can be incoming calls from unidentified callers or from subscribers. |
| Message Notification | Check this check box to designate the port for notifying subscribers of messages. Assign Message Notification to the least busy ports. |

Table 1 **Settings for the Voice Messaging Ports (continued)**

| Field | Considerations |
|---|---|
| Dialout MWI <i>(not used by serial or SMDI integrations)</i> | Check this check box to designate the port for turning MWIs on and off. Assign Dialout MWI to the least busy ports. |
| AMIS Delivery <i>(available with the AMIS licensed feature only)</i> | <p>Check this check box to designate the port for making outbound AMIS calls to deliver voice messages from Cisco Unity subscribers to users on another voice messaging system. Cisco Unity supports the Audio Messaging Interchange Specification (AMIS) protocol, which provides an analog mechanism for transferring voice messages between different voice messaging systems.</p> <p>This setting affects outbound AMIS calls only. All ports are used for incoming AMIS calls. Because the transmission of outgoing AMIS messages may tie up voice ports for long periods of time, you may want to adjust the schedule on the Network > AMIS > Schedule page so that outgoing AMIS calls are placed during closed hours or at times when Cisco Unity is not processing many calls.</p> |
| TRAP Connection | Check this check box so that subscribers can use the phone as a recording and playback device in Cisco Unity web applications and e-mail clients. Assign TRAP Connection to the least busy ports. |

The Number of Voice Messaging Ports to Install

The number of voice messaging ports to install depends on numerous factors, including:

- The number of calls Cisco Unity will answer when call traffic is at its peak.
- The expected length of each message that callers will record and that subscribers will listen to.
- The number of subscribers.
- The number of ports that will be set to dial out only.
- The number of calls made for message notification.
- The number of MWIs that will be activated when call traffic is at its peak.
- The number of AMIS delivery calls.
- The number of TRAP connections needed when call traffic is at its peak. (TRAP connections are used by Cisco Unity web applications and e-mail clients to play back and record over the phone.)
- The number of calls that will use the automated attendant and call handlers when call traffic is at its peak.

It is best to install only the number of voice messaging ports that are needed so that system resources are not allocated to unused ports.

The Number of Voice Messaging Ports That Will Answer Calls

The calls that the voice messaging ports answer can be incoming calls from unidentified callers or from subscribers. Typically, the voice messaging ports that answer calls are the busiest.

You can set voice messaging ports to both answer calls and to dial out (for example, to send message notifications). However, when the voice messaging ports perform more than one function and are very active (for example, answering many calls), the other functions may be delayed until the voice messaging port is free (for example, message notifications cannot be sent until there are fewer calls to answer). For best performance, dedicate certain voice messaging ports for only answering incoming calls, and

dedicate other ports for only dialing out. Separating these port functions eliminates the possibility of a collision, in which an incoming call arrives on a port at the same time that Cisco Unity takes the port off-hook to dial out.

The Number of Voice Messaging Ports That Will Only Dial Out, and Not Answer Calls

Ports that will only dial out and will not answer calls can do one or more of the following:

- Notify subscribers by phone, pager, or e-mail of messages that have arrived.
- Turn MWIs on and off for subscriber extensions.
- Make outbound AMIS calls to deliver voice messages from Cisco Unity subscribers to users on another voice messaging system. (This action is available only with the AMIS licensed feature.)
- Make a TRAP connection so that subscribers can use the phone as a recording and playback device in Cisco Unity web applications and e-mail clients.

Typically, these voice messaging ports are the least busy ports.



Caution

In programming the phone system, do not send calls to voice messaging ports in Cisco Unity that cannot answer calls (voice messaging ports that are not set to Answer Calls). For example, if a voice messaging port is set only to Dialout MWI, do not send calls to it.

Preparing for Programming the Phone System

Record your decisions about the voice messaging ports to guide you in programming the phone system.

Programming the Intecom E14 Millennium Phone System

If you use programming options other than those supplied in the following procedure, the performance of the integration may be affected.



Caution

In programming the phone system, do not send calls to voice messaging ports in Cisco Unity that cannot answer calls (voice messaging ports that are not set to Answer Calls). For example, if a voice messaging port is set only to Dialout MWI, do not send calls to it.

Do the following procedure.

To Program the Intecom E14 Millennium Phone System

Step 1 Create a TTYP group for the PDI-1000/DCE interface. Use the following settings:

- Asynchronous line type
- Bisync protocol
- ASCII coding
- 1200 baud
- Even parity
- 1 stop bit
- 7 data bits

- Step 2** Assign an ITE data port for the PDI-1000/DCE interface to the TTY group created in [Step 1](#). Make sure that the port type for this ITE data port is **DPRT**.
- Step 3** Use the ILK subcommand of the UTIL command to link this ITE data port to the PBX MCU.
For some versions of the Intecom phone system, use the NAIL command to do this step.
- Step 4** Define a two-way universal trunk group for the voice messaging ports. The parameters used for testing the integration are as follows:

```

** TRUNK GROUP DEFINITION      05/09/37  19:34:51
***...TRUNK GROUP.....37
***...TRUNK GROUP TYPE.....UNIVERSAL
TCT...TRUNK CLASS IDENTIFICATION.....FX
UGP...USER GROUP NUMBER.....1
VTP...VOICE TRUNK TRANSFER ENABLED.....YES
CDT...TRANSFER COLLECT DIGIT TABLE #.....NONE
DCS...DEFAULT CLASS OF SERVICE.....1
CNC...NATIONAL CALLING PARTY # CONTENTS..NONE
DCP...DISPLAY CALLING PARTY NUMBER.....YES
PND...PRIVATE NETWORK.....YES
***...LANmark PRI TRUNK GROUP.....NO
ITY...INTEMAIL TYPE.....SMDI - FIXED 7 DIGIT
IST...DOES InteMail SUPERVISE TRANSFERS?.YES
MCT...METHOD TO CANCEL InteMail TRANSFER.FLASH
IML...InteMail USER ID LENGTH.....6
IIN...INTEMAIL INTERFACE NUMBER.....1
VNP...InteMail NUMBER FORMAT.....DIRN
OAM...OAI ASSOCIATED MEMBER.....NO
BTG...BROADCAST TRUNK GROUP.....NO
TCM...TRAVELING CLASSMARK.....NO
FTH...FAILURE THRESHOLD.....3
RDT...RESEIZE DELAY TIME.....MSEC:50
CHT...TRUNK MONITOR MINIMUM HOLD TIME...0
DET...DISTANT END RELEASE TIME.....SEC:60
DCT...DATA CALLS ALLOWED.....NO
SWM...SEIZE WHEN MOS.....YES
TCH...TRUNK CALL HANDLING.....EXTERNAL
NDS...DISCONNECT SUPERVISION.....YES
IGG...IGNORE GLARE.....NO
GDT...GLARE DETECT TIME.....MSEC:100
XFT...DISTANT IBX ALLOWS FEATURE TRANSP..NO
DPT...DTMF PASSTHROUGH TIMING INDEX.....NONE
.....TRUNK DIRECTION.....BOTH WAYS
*** INCOMING PARAMETERS
STY...INCOMING CALL ORIGINATION TYPE....T1 OFF PREM.OPX (OFF PREMISE)
TYP...INCOMING TRUNK TYPE.....DIALED
ICM...INCOMING CALL MESSAGE #.....NONE
IDS...INCOMING DIGIT SEQUENCE.....DESTINATION NUMBER ONLY
IRD...RESPONSE TO DESTINATION NUMBER...NONE
IRC...RESPONSE TO CALLING PARTY NUMBER..NONE
IIT...INCOMING INFO DIGIT TYPE/LENGTH...NONE
BGP...ANNOUNCEMENT BROADCAST TRUNK GROUP.NONE
APA...TRUNK GROUP AUTHORIZATION TYPE....NONE
PVA...PRE-VALIDATE AUTHORIZATION CODE...NO
RSC...RESET COUNT.....1
LVL...PREDEFINED LEVEL CODE.....NONE
TNE...TONE TABLE ENTRY NUMBER.....NONE
MOD...INCOMING DIAL MODE.....DTMF
RGF...DTMF RECEIVER GROUP.....52
TOO...TIMEOUT TO ATTENDANT.....NO
MCL...MULTIPLE CALLING ALLOWED.....NO
RAC...REUSE AUTH FOR MULT. CALLS.....NO
GAC...GROUP AUTH REQUIRED FOR TRUNKS.....NO

```

```

SAC...SYSTEM ACCESS CODE.....NONE
CWR...CALLWAIT RINGBACK.....NO
UCT...TRUNK UPDATE CDR ON TRANSFER.....ALL
CPT...CALL PROGRESSING TONES:.....IBX PROVIDED
RIO...RESPONSE TO INCOMING ORIGINATION...SEIZE IMMED.
TCT...STATION CALL RESTRICTION ENABLED...NO
8NC...800 TO 4D SPEED NUMBER CONVERSION...NO
*** OUTGOING PARAMETERS
MSG...MODEM SIGNALLING.....YES
TXA...DIRECT TGRP SELECT ALLOWED.....YES
ATG...ANNOUNCEMENT TRUNK GROUP.....NO
SLC...TRUNK SELECTION.....TOP DOWN
ICA...INTER-LATA CARRIER.....10XXX
CPN...CALLING PARTY NUMBER.....DO NOT SEND

```

Step 5 Configure the T1 cards to be connected to Cisco Unity for the following:

- Internal clocking
- AMI line coding
- D4 framing

Step 6 Create appropriate routing for access to the voice mail trunk group.

Make sure that the Cisco Unity subscribers are assigned feature options and class of service options that accommodate voice mail.

Step 7 Program each phone to forward calls to the pilot number assigned to the voice messaging ports, based on one of the Cisco Unity call transfer types in [Table 2](#).

Table 2 *Call Transfer Types*

| Transfer type | Usage |
|--------------------------------------|--|
| Release transfer (blind transfer) | Program the phone to forward calls to the pilot number when: <ul style="list-style-type: none"> • The extension is busy • The call is not answered |
| Supervised transfer | Program the phone to forward calls to the pilot number only when the call is not answered. Confirm that call forwarding is disabled when the extension is busy. |



Note

You can use alternate extensions to create multiple line appearances, enable easy message access from cell phones, and simplify addressing messages to subscribers at different locations in Cisco Unity. Enabling alternate MWIs lets Cisco Unity turn MWIs on at more than one extension. For details, see the [“Appendix: Using Alternate Extensions and MWIs”](#) section on page 21.

Creating a New Integration with the Intecom E14 Millennium Phone System

After ensuring that the Intecom E14 Millennium phone system and the Cisco Unity server are ready for the integration, do the following procedures to set up the integration and to enter the port settings.

To Create an Integration

- Step 1** If UTIM is not already open, on the Windows Start menu of the Cisco Unity server, click **Programs > Cisco Unity > Manage Integrations**. UTIM appears.
- Step 2** In the left pane of the UTIM window, click **Cisco Unity Server**.
- Step 3** On the Integration menu of the UTIM window, click **New**. The Telephony Integration Setup Wizard appears.
- Step 4** On the Welcome page, click the applicable phone system type, depending on your version of Cisco Unity:
- Cisco Unity 4.2 or later—**Circuit-Switched via Voice Cards**
 - Cisco Unity 4.0 or 4.1—**Circuit-Switched (Traditional PBX)**
- Step 5** Click **Next**.
- Step 6** On the Name the Phone System Integration page, accept the default name or enter the phone system name to identify this integration, then click **Next**.
- Step 7** On the Select Integration Method page, click **Serial**, then click **Next**.
- Step 8** On the Select Phone System Manufacturer page, click the following settings, then click **Next**.

Table 3 Settings for the Select Phone System Manufacturer Page

| Field | Setting |
|--------------------|---|
| Manufacturer | Intecom |
| Model | E14 Millennium |
| Software Version | All |
| Configuration File | <if you have made copies of the .ini configuration file, the name of the configuration file that you want to use> |

- Step 9** On the Select Serial Integration Packet Settings page, enter the following settings, then click **Next**.

Table 4 Settings for the Select Serial Integration Packet Settings Page

| Field | Setting |
|--------------------------|--|
| Station Field Length | <the station prefix plus the default extension length; accept the default or click another setting; this length is either 10 or 7> |
| Default Extension Length | <the default length of extensions on the phone system; accept the default or click another setting> |

- Step 10** On the Select COM Port Settings page, enter the following settings, then click **Next**.

Table 5 Settings for the Select COM Port Settings Page

| Field | Setting |
|-----------|--|
| COM Port | <the communications port on the Cisco Unity server that will receive the call information; typically, this setting is 1> |
| Baud Rate | <the baud rate that the phone system uses> |
| Data Bits | <the number of data bits that the phone system uses> |
| Stop Bits | <the number of stop bits that the phone system uses> |
| Parity | <the parity that the phone system uses> |

- Step 11** On the Set Number of Voice Messaging Ports page, enter the number of voice messaging ports on Cisco Unity that you want to connect to the phone system, then click **Next**.
- This number cannot be more than the number of ports on the installed voice cards or the number of ports set up on the phone system.
- Step 12** If other integrations already exist, the Enter Trunk Access Code page appears. Enter the extra digits that Cisco Unity must use to transfer calls through the gateway to extensions on the other phone systems with which it is integrated. Then click **Next**.
- Step 13** (*Cisco Unity 4.2 and later only*) On the Reassign Subscribers page, any subscribers whose phone system integration has been deleted and who are not currently assigned to a phone system integration will appear in the list.
- If no subscribers appear in the list, click **Next** and continue to [Step 14](#).
- Otherwise, select the subscribers that you want to assign to this phone system integration and click **Next**. You can use the following selection controls for selecting subscribers.

Table 6 Selection Controls for the Reassign Subscribers Page

| Selection Control | Effect |
|-------------------|---|
| Check All | Checks the check boxes for all subscribers in the list. |
| Uncheck All | Unchecks the check boxes for all subscribers in the list. |
| Toggle Selected | For the subscribers highlighted in the list, toggles between checking and unchecking the check boxes. If some highlighted subscriber check boxes are checked and others are unchecked, clicking this button will check all the check boxes. Clicking again will uncheck all the check boxes. |

- Step 14** (*Cisco Unity 4.2 and later only*) On the Reassign Call Handlers page, any call handlers whose phone system integration has been deleted and that are not currently assigned to a phone system integration will appear in the list.
- If no call handlers appear in the list, click **Next** and continue to [Step 15](#).
- Otherwise, select the call handlers that you want to assign to this phone system integration and click **Next**. You can use the following selection controls for selecting call handlers.

Table 7 Selection Controls for the Reassign Call Handlers Page

| Selection Control | Effect |
|-------------------|---|
| Check All | Checks the check boxes for all call handlers in the list. |
| Uncheck All | Unchecks the check boxes for all call handlers in the list. |
| Toggle Selected | For the call handlers highlighted in the list, toggles between checking and unchecking the check boxes. If some highlighted call handler check boxes are checked and others are unchecked, clicking this button will check all the check boxes. Clicking again will uncheck all the check boxes. |

Step 15 On the Completing page, verify the settings you entered, then click **Finish**.

Step 16 At the prompt to restart the Cisco Unity services, click **Yes**. The Cisco Unity services restart.

Alternatively, you can restart the Cisco Unity services in UTIM on the Tools menu by clicking **Restart Cisco Unity**.

To Enter the Voice Messaging Port Settings for the Integration

Step 1 After the Cisco Unity services restart, on the View menu, click **Refresh**.

Step 2 In the left pane of the UTIM window, expand the phone system integration that you are creating.

Step 3 In the left pane, click the name of the phone system.

Step 4 In the right pane, click the **Ports** tab.

Step 5 Enter the settings shown in [Table 8](#) for the voice messaging ports.

For best performance, use the first voice messaging ports for incoming calls and the last ports to dial out. This helps minimize the possibility of a collision, in which an incoming call arrives on a port at the same time that Cisco Unity takes the port off-hook to dial out.



Caution In programming the phone system, do not send calls to voice messaging ports in Cisco Unity that cannot answer calls (voice messaging ports that are not set to Answer Calls). For example, if a voice messaging port is set only to Message Notification, do not send calls to it.

Table 8 Settings for the Voice Messaging Ports

| Field | Considerations |
|--------------|--|
| Extension | Enter the extension for the port as assigned on the phone system. |
| Enabled | Check this check box to enable the port. The port is enabled during normal operation. Uncheck this check box to disable the port. When the port is disabled, calls to the port get a ringing tone but are not answered. Typically, the port is disabled only by the installer during testing. |
| Answer Calls | Check this check box to designate the port for answering calls. These calls can be incoming calls from unidentified callers or from subscribers. |

Table 8 Settings for the Voice Messaging Ports (continued)

| Field | Considerations |
|---|--|
| Message Notification | Check this check box to designate the port for notifying subscribers of messages. Assign Message Notification to the least busy ports. |
| Dialout MWI <i>(not used by serial or SMDI integrations)</i> | Check this check box to designate the port for turning MWIs on and off. Assign Dialout MWI to the least busy ports. |
| AMIS Delivery <i>(available with the AMIS licensed feature only)</i> | Check this check box to designate the port for making outbound AMIS calls to deliver voice messages from Cisco Unity subscribers to users on another voice messaging system. Cisco Unity supports the Audio Messaging Interchange Specification (AMIS) protocol, which provides an analog mechanism for transferring voice messages between different voice messaging systems. This setting affects outbound AMIS calls only. All ports are used for incoming AMIS calls. Because the transmission of outgoing AMIS messages may tie up voice ports for long periods of time, you may want to adjust the schedule on the Network > AMIS > Schedule page so that outgoing AMIS calls are placed during closed hours or at times when Cisco Unity is not processing many calls. |
| TRAP Connection | Check this check box so that subscribers can use the phone as a recording and playback device in Cisco Unity web applications and e-mail clients. Assign TRAP Connection to the least busy ports. |

Step 6 Click **Save**.

Step 7 Exit UTIM.

If the phone system uses extension numbers that begin with zero (for example, 0123 or 09876), do the following procedure.

Note that after the procedure is done all extension numbers must have the same number of digits. In this case, for example, 0123 and 1234 are both allowed, but 0123 and 234 are not allowed. The extension 234 would be interpreted as 0234.

To Enable Extensions Beginning with Zero

-
- Step 1** On the Windows Start menu, click **Programs > Cisco Unity > Manage Integrations**. UTIM appears.
 - Step 2** In the left pane of the UTIM window, click the phone system integration, and click the **Properties** node.
 - Step 3** In the right pane of the UTIM window, click the **Integration** tab.
 - Step 4** Note the name of the Switch.ini file that appears in the Configuration File field.
 - Step 5** Exit UTIM.
 - Step 6** On the Windows Start menu, click **Programs > Accessories > Notepad**. The Notepad window appears.
 - Step 7** On the File menu, click **Open**.
 - Step 8** In the Open dialog box, browse to the \CommServer\IntLib directory, and double-click the name of the Switch.ini file you noted in [Step 4](#).
 - Step 9** In the Configuration section of the file, insert the following line:

```
AllowZeroLeadingExtensions=1
```

If the line is already present in the Configuration section, confirm that the final digit is **1**.

Step 10 Save the file, and exit Notepad.

Step 11 For the settings to take effect, restart the Cisco Unity server.

Testing the Integration

To test whether Cisco Unity and the phone system are integrated correctly, do the following procedures in the order listed.

If any of the steps indicate a failure, refer to the following documentation as applicable:

- The installation guide for the phone system.
- *Cisco Unity Troubleshooting Guide*, available at http://www.cisco.com/en/US/products/sw/voicesw/ps2237/prod_troubleshooting_guides_list.html.
- The setup information earlier in this guide.

To Set Up the Test Configuration

Step 1 Set up two test extensions (Phone 1 and Phone 2) on the same phone system that Cisco Unity is connected to.

Step 2 Set Phone 1 to forward calls to the Cisco Unity pilot number when calls are not answered.



Caution The phone system must forward calls to the Cisco Unity pilot number in no fewer than four rings. Otherwise, the test may fail.

Step 3 In the Cisco Unity Administrator, create a test subscriber to use for testing by doing the applicable substeps below.

If your message store is Microsoft Exchange, do the following:

- a. In the Cisco Unity Administrator, go to the **Subscribers > Subscribers > Profile** page.
- b. Click the **Add** icon.
- c. Select **New Exchange Subscriber**.
- d. On the Add Subscriber page, enter the applicable information.
- e. Click **Add**.

If your message store is IBM Lotus Domino, do the following:

- a. In the Cisco Unity Administrator, go to the **Subscribers > Subscribers > Profile** page.
- b. Click the **Add** icon.
- c. Click **Notes**.
- d. In the Address Book list, confirm that the address book listed is the one that contains the user data that you want to import.

If the address book that you want to use is not listed, go to the **System > Configuration > Subscriber Address Books** page and add a different address book.

- e. In the Find Domino Person By list, indicate whether to search by short name, first name, or last name.
- f. Enter the applicable short name or name. You also can enter * to display a list of all users, or enter one or more characters followed by * to narrow your search.
- g. Click **Find**.
- h. On the list of matches, click the name of the user to import.
- i. On the Add Subscriber page, enter the applicable information.
- j. Click **Add**.

Step 4 In the Extension field, enter the extension of Phone 1.

Step 5 In the Active Schedule field, click **All Hours - All Days**.

Step 6 Click the **Save** icon.

Step 7 In the navigation bar, click **Call Transfer** to go to the Subscribers > Subscribers > Call Transfer page for the test subscriber.

For more information on transfer settings, refer to the “Subscriber Template Call Transfer Settings” section in the Cisco Unity Administrator Help.

Step 8 Under Transfer Incoming Calls, click **Yes, Ring Subscriber’s Extension**, and confirm that the extension number is for Phone 1.

Step 9 Under Transfer Type, click **Release to Switch**.

Step 10 Click the **Save** icon.

Step 11 In the navigation bar, click **Messages** to go to the Subscribers > Subscribers > Messages page for the test subscriber.

Step 12 Under Message Waiting Indicators (MWIs), check **Use MWI for Message Notification**.

Step 13 In the Extension field, enter **x**.

Step 14 Click the **Save** icon.

Step 15 Open the Status Monitor by doing one of the following:

- In Internet Explorer, go to **http://<Cisco Unity server name>/web/sm**.
- Double-click the desktop shortcut to the Status Monitor.
- In the status bar next to the clock, right-click the Cisco Unity tray icon and click **Status Monitor**.

To Test an External Call with Release Transfer

Step 1 From Phone 2, enter the access code necessary to get an outside line, then enter the number outside callers use to dial directly to Cisco Unity.

Step 2 On the Status Monitor, note which port handles this call.

Step 3 When you hear the opening greeting, enter the extension for Phone 1. Hearing the opening greeting means that the port is configured correctly.

Step 4 Confirm that Phone 1 rings and that you hear a ringback tone on Phone 2. Hearing a ringback tone means that Cisco Unity correctly released the call and transferred it to Phone 1.

- Step 5** Leaving Phone 1 unanswered, confirm that the state of the port handling the call changes to “Idle.” This state means that release transfer is successful.
- Step 6** Confirm that, after the number of rings that the phone system is set to wait, the call is forwarded to Cisco Unity and that you hear the greeting for the test subscriber. Hearing the greeting means that the phone system forwarded the unanswered call and the call-forward information to Cisco Unity, which correctly interpreted the information.
- Step 7** On the Status Monitor, note which port handles this call.
- Step 8** Leave a message for the test subscriber and hang up Phone 2.
- Step 9** On the Status Monitor, confirm that the state of the port handling the call changes to “Idle.” This state means that the port was successfully released when the call ended.
- Step 10** Confirm that the MWI on Phone 1 is activated. The activated MWI means that the phone system and Cisco Unity are successfully integrated for turning on MWIs.
-

To Test Listening to Messages

- Step 1** From Phone 1, enter the internal pilot number for Cisco Unity.
- Step 2** When asked for your password, enter the default password. Hearing the request for your password means that the phone system sent the necessary call information to Cisco Unity, which correctly interpreted the information.
- Step 3** Confirm that you hear the recorded voice name for the test subscriber (if you did not record a voice name for the test subscriber, you will hear the extension number for Phone 1). Hearing the voice name means that Cisco Unity correctly identified the subscriber by the extension.
- Step 4** When asked whether you want to listen to your message, press **1**.
- Step 5** After listening to the message, press **3** to delete the message.
- Step 6** Confirm that the MWI on Phone 1 is deactivated. The deactivated MWI means that the phone system and Cisco Unity are successfully integrated for turning off MWIs.
- Step 7** Hang up Phone 1.
- Step 8** On the Status Monitor, confirm that the state of the port handling the call changes to “Idle.” This state means that the port was successfully released when the call ended.
-

To Set Up Supervised Transfer on Cisco Unity

- Step 1** In the Cisco Unity Administrator, go to the **Subscribers > Subscribers > Call Transfer** page.
If the name of the test subscriber is not displayed, click the **Find** icon (the magnifying glass) in the title bar, then click **Find**, and select the name of the test subscriber in the list that appears.
For more information on transfer settings, refer to the “Subscriber Template Call Transfer Settings” section in the Cisco Unity Administrator Help.
- Step 2** Under Transfer Type, click **Supervise Transfer**.
- Step 3** Set the Rings to Wait For field to **3**.
- Step 4** Click the **Save** icon.
-

To Test Supervised Transfer

- Step 1** From Phone 2, enter the access code necessary to get an outside line, then enter the number outside callers use to dial directly to Cisco Unity.
 - Step 2** On the Status Monitor, note which port handles this call.
 - Step 3** When you hear the opening greeting, enter the extension for Phone 1. Hearing the opening greeting means that the port is configured correctly.
 - Step 4** Confirm that Phone 1 rings and that you do not hear a ringback tone on Phone 2. Instead, you should hear the indication your phone system uses to mean that the call is on hold (for example, music or beeps).
 - Step 5** Leaving Phone 1 unanswered, confirm that the state of the port handling the call remains “Busy.” This state and hearing an indication that you are on hold mean that Cisco Unity is supervising the transfer.
 - Step 6** Confirm that, after three rings, you hear the greeting for the test subscriber. Hearing the greeting means that Cisco Unity successfully recalled the supervised-transfer call.
 - Step 7** During the greeting, hang up Phone 2.
 - Step 8** On the Status Monitor, confirm that the state of the port handling the call changes to “Idle.” This state means that the port was successfully released when the call ended.
-

To Delete the Test Subscriber

- Step 1** In the Cisco Unity Administrator, go to the **Subscribers > Subscribers > Profile** page.
If the name of the test subscriber is not displayed, click the **Find** icon (the magnifying glass) in the title bar, then click **Find**, and select the name of the test subscriber in the list that appears.
 - Step 2** In the title bar, click the **Delete Subscriber** icon (the X).
 - Step 3** Click **Delete**.
-

Integrating a Secondary Server for Cisco Unity Failover

The Cisco Unity failover feature enables a secondary server to provide voice messaging services when the primary server becomes inactive. For information on installing a secondary server for failover, refer to the applicable Cisco Unity installation guide, available at http://www.cisco.com/en/US/products/sw/voicesw/ps2237/prod_installation_guides_list.html.

For information on failover, refer to the *Cisco Unity Failover Configuration and Administration Guide*. The Domino version of the guide is available at http://www.cisco.com/univercd/cc/td/doc/product/voice/c_unity/fail/fail401/dom/index.htm. The Exchange version of the guide is available at http://www.cisco.com/univercd/cc/td/doc/product/voice/c_unity/fail/fail401/ex/index.htm.

Requirements

The following components are required to integrate a secondary server:

Phone System

- A second ITE digital port connected to a PDI-1000/DCE, which in turn is connected to a serial port on the secondary server with an RS-232 serial cable.
- A T1/IXL card installed in the Interface Shelf, connected to the voice cards in the secondary server for each T1/IXL card connected to the primary server.

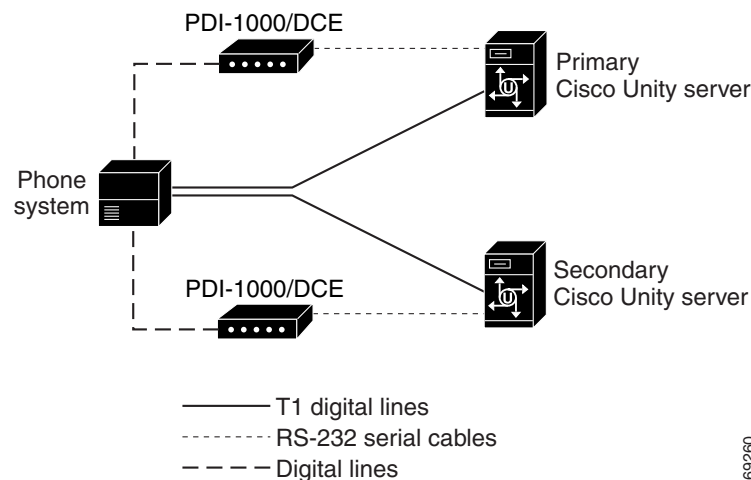
Cisco Unity Server

- One secondary server for each primary server installed and ready for the integration, as described in the applicable Cisco Unity installation guide and earlier in this integration guide.
- A license that enables failover.

Integration Description

The phone system uses two data links to send call information to the primary and secondary servers. The T1 voice messaging lines from the phone system provide voice connectivity to the primary and secondary servers. [Figure 2](#) shows the required connections.

Figure 2 Connections Between the Phone System and Cisco Unity Servers



Caution

It is necessary to either shut down the Dialogic services or disconnect the T1 line to the inactive server before the active server can answer calls.

The primary and secondary servers act in the following manner:

- When the primary server is operating normally, the secondary server is inactive.
- When the primary server becomes inactive, the secondary server becomes active.
- When the primary server becomes active again, the secondary server becomes inactive.

Setting Up the Secondary Server for Failover

Do the following procedure to integrate the Cisco Unity secondary server.

To Set Up the Secondary Server for Failover

-
- Step 1** Install a secondary server with the same configuration as the primary server. For installation instructions, refer to the applicable Cisco Unity installation guide.
- Step 2** Connect the T1 cables from the phone system to the secondary server. The number of T1 cables to the secondary server must match the number of T1 cables to the primary server.
- Step 3** On the phone system, create a second universal trunk group for the voice messaging ports on the secondary server.
- Step 4** Set the universal trunk group for the primary server to send calls to the universal trunk group for the secondary server when the primary server is not active.
- Step 5** Connect a digital cable from a second data port on the phone system to a second PDI-1000/DCE and a second RS-232 serial cable from this PDI-1000/DCE to the primary server.
- Step 6** On the Windows Start menu of the secondary server, click **Programs > Cisco Unity > Manage Integrations**. The UTIM window appears.
- Step 7** On the Integration menu of the UTIM window, click **New**. The Telephony Integration Setup Wizard appears.
- Step 8** Enter the settings to match the integration settings on the primary server.



Note We recommend not reassigning any unassigned subscribers and call handlers to the new integration, if you are asked by the wizard. Failover replication will automatically assign the correct integration.

- Step 9** At the prompt to restart the Cisco Unity services, click **Yes**.



Note When restarting the Cisco Unity services, use the UTIM prompt instead of the Cisco Unity icon in the Windows taskbar. The taskbar icon does not restart all of the Cisco Unity services.

- Step 10** After Cisco Unity restarts, on the Windows Start menu of the Cisco Unity server, click **Programs > Cisco Unity > Manage Integrations**. UTIM appears.
- Step 11** In the left pane of the UTIM window, click the phone system integration that you created in [Step 7](#).
- Step 12** For Cisco Unity 4.0 and 4.1, continue to [Step 13](#).
- For Cisco Unity 4.2 and later, do the following substeps.
- a. In the right pane, click **Properties**.
 - b. On the Integration tab, compare the setting of the Integration ID field for the secondary server to the setting of the Integration ID field for the primary server.
 - c. If the integration IDs of the phone system on the primary and secondary server are the same, continue to [Step 13](#).

If the integration IDs of the phone system on the primary and secondary servers are different, on the secondary server, click **Modify Integration ID**.

- d. When cautioned that subscribers associated with the current Integration ID setting will not be automatically associated with the new Integration ID setting, click **OK**.
- e. In the Modify Integration ID dialog box, in the Enter New Integration ID field, enter the Integration ID setting for the phone system on the primary server and click **OK**.
- f. Click **Save**.
- g. At the prompt to restart the Cisco Unity services, click **No**.
- h. In the left pane, click the phone system integration that you created in [Step 7](#).

Step 13 In the right pane of the UTIM window, click the **Ports** tab.

Step 14 Enter the port settings to match the port settings on the primary server.



Caution

In programming the phone system, do not send calls to voice messaging ports in Cisco Unity that cannot answer calls (voice messaging ports that are not set to Answer Calls). For example, if a voice messaging port is set only to Dialout MWI, do not send calls to it.

Step 15 Click **Save**.

Step 16 Exit UTIM.

Step 17 Click **Programs > Cisco Unity > Edit Switch Utility**.

Step 18 In the Switch Configuration Editor window, in the Manufacturer field, click **Intecom**.

Step 19 In the Model field, click **E14 Millennium**.

Step 20 Click **Edit**.

Step 21 In the Switch Configuration dialog box, click the **Incoming Calls** tab.

Step 22 In the Call Rings field, enter **3** and click **OK**.

Step 23 In the Switch Configuration Editor dialog box, click **Exit**.

Step 24 On the Windows Start menu, click **Run**.

Step 25 Enter **Regedit** and click **OK**.



Caution

Changing the wrong registry key or entering an incorrect value can cause the server to malfunction. Before you edit the registry, confirm that you know how to restore it if a problem occurs. (Refer to the “Restoring” topics in Registry Editor Help.) If you have any questions about changing registry key settings, contact Cisco TAC.

Step 26 If you do not have a current backup of the registry, click **Registry > Export Registry File**, and save the registry settings to a file.

Step 27 Expand the key HKEY_LOCAL_MACHINE\Software\Active Voice\Miu\1.0\Initialization.

Step 28 Double-click **New Call Delay on Inactive Backup Server**.

Step 29 In the Edit DWORD Value dialog box, in the Value Data field, enter **0**, and click **OK**.

Step 30 Close the Registry Editor.

Step 31 Restart the Cisco Unity server.

**Caution**

It is necessary to either shut down the Dialogic services or disconnect the T1 line to the inactive server before the active server can answer calls.

Changing the Settings for an Existing Integration

After the integration is set up, if you want to change any of its settings (for example, to add or remove voice messaging ports for an integration), do the following procedure.

To Change the Settings for an Integration

-
- Step 1** On the Cisco Unity server, on the Windows Start menu, click **Programs > Cisco Unity > Manage Integrations**. The UTIM window appears.
 - Step 2** In the left pane, double-click **Unity Server**. The existing integrations appear.
 - Step 3** Click the integration you want to modify.
 - Step 4** In the right pane, click the name of the cluster, phone system, or PIMG unit (depending on your integration) for the integration.
 - Step 5** In the right pane, click the applicable tab for the integration.
 - Step 6** Enter new settings in the fields that you want to change.

**Caution**

If you are adding or removing voice messaging ports, make sure you change the settings for the individual ports so that there are an appropriate number of ports set to answer calls and an appropriate number of ports set to dial out.

- Step 7** In the UTIM window, click **Save**.
 - Step 8** If prompted, restart the Cisco Unity services.
-

Deleting an Existing Integration

If you want to delete an existing integration (for example, you have replaced the phone system with which Cisco Unity originally integrated), do the following procedure.

To Delete an Existing Integration

-
- Step 1** On the Cisco Unity server, on the Windows Start menu, click **Programs > Cisco Unity > Manage Integrations**. The UTIM window appears.
 - Step 2** In the left pane, double-click **Unity Server**. The existing integrations appear.
 - Step 3** Click the integration that you want to delete.
 - Step 4** On the Integration menu, click **Delete**.
 - Step 5** Follow the on-screen instructions to assign the subscribers of the deleted phone system integration to another phone system integration.

- Step 6** At the prompt to restart the Cisco Unity services, click **Yes**. The Cisco Unity services restart. Alternatively, you can restart the Cisco Unity services in UTIM on the Tools menu by clicking **Restart Cisco Unity**.
- Step 7** If the integration you deleted used voice cards, remove the voice cards from the Cisco Unity server.
-

Appendix: Using Alternate Extensions and MWIs

Alternate Extensions

In addition to the “primary” extension that you specify for subscribers, you can assign subscribers up to nine alternate extensions. (The primary extension is the one that you assign to each subscriber when you create his or her subscriber account; it is listed on the Subscribers > Subscribers > Profile page.)

Reasons to Use Alternate Extensions

There are several reasons that you may want to specify alternate extensions for subscribers. For example, if you have more than one Cisco Unity server that accesses a single, corporate-wide directory, you may want to use alternate extensions to simplify addressing messages to subscribers at the different locations. With alternate extensions, the number that a subscriber uses when addressing a message to someone at another location can be the same number that the subscriber dials when calling. You may also want to use alternate extensions to:

- Handle multiple line appearances on subscriber phones.
- Offer easy message access on direct calls from a cell phone, home phone, or phone at an alternate work site (assuming that the phone number is passed along to Cisco Unity from these other phone systems). In addition, when such phones are used as alternate extensions, and are set to forward to Cisco Unity, callers can listen to the subscriber greeting, and leave messages for the subscriber just as they would when dialing the primary extension for the subscriber.



Tip

To reduce the number of requests from subscribers who want alternate extensions set up for multiple cell phones, home phones, and other phones, give subscribers class of service (COS) rights to specify their own set of alternate extensions. (See the Subscribers > Class of Service > Profile page.) With proper COS rights, a subscriber can specify up to five alternate extensions in the Cisco Unity Assistant—in addition to the nine that you can specify on the Subscribers > Alternate Extensions page in the Cisco Unity Administrator.

- Enable URL-based extensions in Cisco Unity for an integration with a SIP phone system.

How Alternate Extensions Work

Before you set up alternate extensions, review the following list for information on how alternate extensions work:

- Alternate extensions cannot exceed 30 characters in length. By default, each administrator-defined alternate extension must be at least 3 characters in length, while subscriber-defined alternate extensions must be at least 10 characters.

You can use the Advanced Settings tool in Tools Depot to specify a minimum extension length for the extensions entered in the Cisco Unity Administrator and the Cisco Unity Assistant. Refer to the Advanced Settings Tool Help for details on using the settings. Respectively, the settings are Administration—Set the Minimum Length for Locations, and Administration—Set the Minimum Length for Subscriber-Defined Alternate Extensions.

- You can control whether subscribers can use the Cisco Unity Assistant to view the alternate extensions that you specify in the Cisco Unity Administrator. To do so, see the Subscribers > Class of Service > Profile page. The Subscriber-Defined Alternate Extension table displays the alternate extensions that the subscriber adds.
- Neither the Cisco Unity Administrator nor the Cisco Unity Assistant will accept an extension that is already assigned to another subscriber (either as a primary or alternate extension), or to a public distribution list, call handler, directory handler, or interview handler. Cisco Unity verifies that each alternate extension is unique—up to the dialing domain level, if applicable—before allowing either an administrator or a subscriber to create it.
- All alternate extensions use the same transfer settings as the primary extension.
- In many cases, Cisco Unity can activate a message waiting indicator (MWI) for an alternate extension. However, depending on the phones and phone systems involved, some additional phone system programming may be required to set this up.

Setting Up Alternate Extensions

Do the applicable procedure to add, modify, or delete alternate extensions:

- [To Add Administrator-Defined Alternate Extensions, page 22](#)
- [To Modify or Delete Alternate Extension\(s\), page 23](#)

To Add Administrator-Defined Alternate Extensions

-
- Step 1** In the Cisco Unity Administrator, go to any **Subscribers > Alternate Extensions** page.
- Step 2** In the Administrator-Defined Alternate Extensions table, enter an extension in any row. When entering characters in the Alternate Extensions table, consider the following:
- You can enter an extension up to 30 characters in length. (SIP integrations can use up to 30 alphanumeric characters.)
 - Each extension must be unique—up to the dialing domain level, if applicable.
 - Enter digits 0 through 9. Do not use spaces, dashes, or parentheses.
 - For SIP integrations, you can also enter a valid alias for a SIP URL. For example, if the URL is SIP:aabade@cisco.com, enter aabade. Do not use spaces.
 - Rows are numbered as a convenience. You can enter alternate extensions in any order, and you can have blank rows.
- Step 3** Repeat [Step 2](#) as necessary.
- Step 4** Click the **Save** icon. Alternate extensions are enabled for all rows in the table.
-

To Modify or Delete Alternate Extension(s)

- Step 1** In the Cisco Unity Administrator, go to any **Subscribers > Alternate Extensions** page.
- Step 2** Do any of the following:
- To modify an extension, change the extension in the Alternate Extensions table.
 - To delete extensions, check the check boxes next to the alternate extensions that you want to delete.
 - To remove all alternate extensions listed in the table, click **Select All**.
- Step 3** Click the **Save** icon.
- Step 4** Repeat [Step 2](#) and [Step 3](#) as necessary.
-

**Note**

You can run the Cisco Unity Bulk Import wizard when you want to add alternate extensions for multiple subscribers at once. When you do, the Cisco Unity Bulk Import wizard appends the new alternate extensions to the existing table of alternate extensions, beginning with the first blank row.

Alternate MWIs

You can set up Cisco Unity to activate alternate MWIs when you want a new message for a subscriber to activate the MWIs at up to 10 extensions. For example, a message left at extension 1001 can activate the MWIs on extensions 1001 and 1002.

Cisco Unity uses MWIs to alert the subscriber to new voice messages. MWIs are not used to indicate new e-mail, fax, or return receipt messages.

Setting Up Alternate MWIs

Cisco Unity can activate alternate MWIs. Note that depending on the phones and phone systems, some additional phone system programming may be necessary. Refer to the installation guide for the phone system.

To enable alternate MWIs for extensions, do the following procedure for each subscriber who needs alternate MWIs.

To Set Up Alternate MWIs for Extensions

- Step 1** In the Cisco Unity Administrator, go to the applicable **Subscribers > Subscribers > Messages** page.
- Step 2** Confirm that the **Use MWI for Message Notification** check box is checked.
- Step 3** Click the **Add** button located beneath the MWI Extensions table to add a row to the table. By default, the first row in the table contains an “X” to indicate the primary extension assigned to a subscriber. If you want one more extension and do not need to activate the MWI on the primary extension, you can also modify the first row.
- Step 4** Enter the applicable extension in the **Extension** field of the table. MWIs are automatically enabled for all rows in the table. When entering characters in the MWI Extensions table, consider the following:

- Enter digits 0 through 9. Do not use spaces, dashes, or parentheses.
- Enter , (comma) to insert a one-second pause.
- Enter # and * to correspond to the # and * keys on the phone.

Step 5 Click the **Save** icon.

Step 6 Repeat [Step 3](#) through [Step 5](#) as necessary.

**Note**

You can run the Cisco Unity Bulk Import wizard when you want to set up alternate MWIs for multiple subscribers at once.

To change or delete alternate MWIs for extensions, do the following procedure.

To Modify or Delete Alternate MWIs

Step 1 In the Cisco Unity Administrator, go to the applicable **Subscribers > Subscribers > Messages** page.

Step 2 Do either of the following:

- To modify an extension, change the extension in the MWI Extensions table.
- To delete extensions, check the check boxes next to the rows that you want to delete in the MWI Extensions table, and then click the **Delete** button.

Step 3 Click the **Save** icon.

Step 4 Repeat [Step 2](#) and [Step 3](#) as necessary.

Appendix: Documentation and Technical Assistance

Conventions

The *Intecom E14 Millennium Serial Integration Guide for Cisco Unity 4.0* uses the following conventions.

Table 9 *Intecom E14 Millennium Serial Integration Guide for Cisco Unity 4.0 Conventions*

| Convention | Description |
|----------------------------|---|
| boldfaced text | Boldfaced text is used for: <ul style="list-style-type: none"> Key and button names. (Example: Click OK.) Information that you enter. (Example: Enter Administrator in the User Name box.) |
| < > (angle brackets) | Angle brackets are used around parameters for which you supply a value. (Example: In the Command Prompt window, enter ping <IP address> .) |
| - (hyphen) | Hyphens separate keys that must be pressed simultaneously. (Example: Press Ctrl-Alt-Delete .) |
| > (right angle bracket) | A right angle bracket is used to separate selections that you make: <ul style="list-style-type: none"> On menus. (Example: On the Windows Start menu, click Settings > Control Panel > Phone and Modem Options.) In the navigation bar of the Cisco Unity Administrator. (Example: Go to the System > Configuration > Settings page.) |
| [x] (square brackets) | Square brackets enclose an optional element (keyword or argument). (Example: [reg-e164]) |
| [x y] (vertical line) | Square brackets enclosing keywords or arguments separated by a vertical line indicate an optional choice. (Example: [transport tcp transport udp]) |
| {x y} (braces) | Braces enclosing keywords or arguments separated by a vertical line indicate a required choice. (Example: {tcp udp}) |

The *Intecom E14 Millennium Serial Integration Guide for Cisco Unity 4.0* also uses the following conventions:



Note

Means *reader take note*. Notes contain helpful suggestions or references to material not covered in the document.

**Caution**

Means *reader be careful*. In this situation, you might do something that could result in equipment damage or loss of data.

For descriptions and URLs of Cisco Unity documentation on Cisco.com, see the *About Cisco Unity Documentation*. The document is shipped with Cisco Unity and is available at http://www.cisco.com/univercd/cc/td/doc/product/voice/c_unity/about/aboutdoc.htm.

Obtaining Documentation

Cisco documentation and additional literature are available on Cisco.com. Cisco also provides several ways to obtain technical assistance and other technical resources. These sections explain how to obtain technical information from Cisco Systems.

Cisco.com

You can access the most current Cisco documentation at this URL:

<http://www.cisco.com/techsupport>

You can access the Cisco website at this URL:

<http://www.cisco.com>

You can access international Cisco websites at this URL:

http://www.cisco.com/public/countries_languages.shtml

Product Documentation DVD

The Product Documentation DVD is a comprehensive library of technical product documentation on a portable medium. The DVD enables you to access multiple versions of installation, configuration, and command guides for Cisco hardware and software products. With the DVD, you have access to the same HTML documentation that is found on the Cisco website without being connected to the Internet. Certain products also have .PDF versions of the documentation available.

The Product Documentation DVD is available as a single unit or as a subscription. Registered Cisco.com users (Cisco direct customers) can order a Product Documentation DVD (product number DOC-DOCDVD= or DOC-DOCDVD=SUB) from Cisco Marketplace at this URL:

<http://www.cisco.com/go/marketplace/>

Ordering Documentation

Registered Cisco.com users may order Cisco documentation at the Product Documentation Store in the Cisco Marketplace at this URL:

<http://www.cisco.com/go/marketplace/>

Nonregistered Cisco.com users can order technical documentation from 8:00 a.m. to 5:00 p.m. (0800 to 1700) PDT by calling 1 866 463-3487 in the United States and Canada, or elsewhere by calling 011 408 519-5055. You can also order documentation by e-mail at tech-doc-store-mkpl@external.cisco.com or by fax at 1 408 519-5001 in the United States and Canada, or elsewhere at 011 408 519-5001.

Documentation Feedback

You can rate and provide feedback about Cisco technical documents by completing the online feedback form that appears with the technical documents on Cisco.com.

You can submit comments about Cisco documentation by using the response card (if present) behind the front cover of your document or by writing to the following address:

Cisco Systems
Attn: Customer Document Ordering
170 West Tasman Drive
San Jose, CA 95134-9883

We appreciate your comments.

Cisco Product Security Overview

Cisco provides a free online Security Vulnerability Policy portal at this URL:

http://www.cisco.com/en/US/products/products_security_vulnerability_policy.html

From this site, you will find information about how to:

- Report security vulnerabilities in Cisco products.
- Obtain assistance with security incidents that involve Cisco products.
- Register to receive security information from Cisco.

A current list of security advisories, security notices, and security responses for Cisco products is available at this URL:

<http://www.cisco.com/go/psirt>

To see security advisories, security notices, and security responses as they are updated in real time, you can subscribe to the Product Security Incident Response Team Really Simple Syndication (PSIRT RSS) feed. Information about how to subscribe to the PSIRT RSS feed is found at this URL:

http://www.cisco.com/en/US/products/products_psirt_rss_feed.html

Reporting Security Problems in Cisco Products

Cisco is committed to delivering secure products. We test our products internally before we release them, and we strive to correct all vulnerabilities quickly. If you think that you have identified a vulnerability in a Cisco product, contact PSIRT:

- For Emergencies only—security-alert@cisco.com

An emergency is either a condition in which a system is under active attack or a condition for which a severe and urgent security vulnerability should be reported. All other conditions are considered nonemergencies.

- For Nonemergencies—psirt@cisco.com

In an emergency, you can also reach PSIRT by telephone:

- 1 877 228-7302
- 1 408 525-6532



Tip

We encourage you to use Pretty Good Privacy (PGP) or a compatible product (for example, GnuPG) to encrypt any sensitive information that you send to Cisco. PSIRT can work with information that has been encrypted with PGP versions 2.x through 9.x.

Never use a revoked or an expired encryption key. The correct public key to use in your correspondence with PSIRT is the one linked in the Contact Summary section of the Security Vulnerability Policy page at this URL:

http://www.cisco.com/en/US/products/products_security_vulnerability_policy.html

The link on this page has the current PGP key ID in use.

If you do not have or use PGP, contact PSIRT at the aforementioned e-mail addresses or phone numbers before sending any sensitive material to find other means of encrypting the data.

Obtaining Technical Assistance

Cisco Technical Support provides 24-hour-a-day award-winning technical assistance. The Cisco Technical Support & Documentation website on Cisco.com features extensive online support resources. In addition, if you have a valid Cisco service contract, Cisco Technical Assistance Center (TAC) engineers provide telephone support. If you do not have a valid Cisco service contract, contact your reseller.

Cisco Technical Support & Documentation Website

The Cisco Technical Support & Documentation website provides online documents and tools for troubleshooting and resolving technical issues with Cisco products and technologies. The website is available 24 hours a day, at this URL:

<http://www.cisco.com/techsupport>

Access to all tools on the Cisco Technical Support & Documentation website requires a Cisco.com user ID and password. If you have a valid service contract but do not have a user ID or password, you can register at this URL:

<http://tools.cisco.com/RPF/register/register.do>



Note

Use the Cisco Product Identification (CPI) tool to locate your product serial number before submitting a web or phone request for service. You can access the CPI tool from the Cisco Technical Support & Documentation website by clicking the **Tools & Resources** link under Documentation & Tools. Choose **Cisco Product Identification Tool** from the Alphabetical Index drop-down list, or click the **Cisco Product Identification Tool** link under Alerts & RMAs. The CPI tool offers three search options: by product ID or model name; by tree view; or for certain products, by copying and pasting **show** command

output. Search results show an illustration of your product with the serial number label location highlighted. Locate the serial number label on your product and record the information before placing a service call.

Submitting a Service Request

Using the online TAC Service Request Tool is the fastest way to open S3 and S4 service requests. (S3 and S4 service requests are those in which your network is minimally impaired or for which you require product information.) After you describe your situation, the TAC Service Request Tool provides recommended solutions. If your issue is not resolved using the recommended resources, your service request is assigned to a Cisco engineer. The TAC Service Request Tool is located at this URL:

<http://www.cisco.com/techsupport/servicerequest>

For S1 or S2 service requests, or if you do not have Internet access, contact the Cisco TAC by telephone. (S1 or S2 service requests are those in which your production network is down or severely degraded.) Cisco engineers are assigned immediately to S1 and S2 service requests to help keep your business operations running smoothly.

To open a service request by telephone, use one of the following numbers:

Asia-Pacific: +61 2 8446 7411 (Australia: 1 800 805 227)

EMEA: +32 2 704 55 55

USA: 1 800 553-2447

For a complete list of Cisco TAC contacts, go to this URL:

<http://www.cisco.com/techsupport/contacts>

Definitions of Service Request Severity

To ensure that all service requests are reported in a standard format, Cisco has established severity definitions.

Severity 1 (S1)—An existing network is down, or there is a critical impact to your business operations. You and Cisco will commit all necessary resources around the clock to resolve the situation.

Severity 2 (S2)—Operation of an existing network is severely degraded, or significant aspects of your business operations are negatively affected by inadequate performance of Cisco products. You and Cisco will commit full-time resources during normal business hours to resolve the situation.

Severity 3 (S3)—Operational performance of the network is impaired, while most business operations remain functional. You and Cisco will commit resources during normal business hours to restore service to satisfactory levels.

Severity 4 (S4)—You require information or assistance with Cisco product capabilities, installation, or configuration. There is little or no effect on your business operations.

Obtaining Additional Publications and Information

Information about Cisco products, technologies, and network solutions is available from various online and printed sources.

- The *Cisco Product Quick Reference Guide* is a handy, compact reference tool that includes brief product overviews, key features, sample part numbers, and abbreviated technical specifications for many Cisco products that are sold through channel partners. It is updated twice a year and includes the latest Cisco offerings. To order and find out more about the Cisco Product Quick Reference Guide, go to this URL:

<http://www.cisco.com/go/guide>

- Cisco Marketplace provides a variety of Cisco books, reference guides, documentation, and logo merchandise. Visit Cisco Marketplace, the company store, at this URL:
- *Cisco Press* publishes a wide range of general networking, training and certification titles. Both new and experienced users will benefit from these publications. For current Cisco Press titles and other information, go to Cisco Press at this URL:

<http://www.ciscopress.com>

- *Packet* magazine is the Cisco Systems technical user magazine for maximizing Internet and networking investments. Each quarter, Packet delivers coverage of the latest industry trends, technology breakthroughs, and Cisco products and solutions, as well as network deployment and troubleshooting tips, configuration examples, customer case studies, certification and training information, and links to scores of in-depth online resources. You can access Packet magazine at this URL:

<http://www.cisco.com/packet>

- *iQ Magazine* is the quarterly publication from Cisco Systems designed to help growing companies learn how they can use technology to increase revenue, streamline their business, and expand services. The publication identifies the challenges facing these companies and the technologies to help solve them, using real-world case studies and business strategies to help readers make sound technology investment decisions. You can access iQ Magazine at this URL:

<http://www.cisco.com/go/iqmagazine>

or view the digital edition at this URL:

<http://cisoiq.texterity.com/cisoiq/sample/>

- *Internet Protocol Journal* is a quarterly journal published by Cisco Systems for engineering professionals involved in designing, developing, and operating public and private internets and intranets. You can access the Internet Protocol Journal at this URL:

<http://www.cisco.com/ipj>

- Networking products offered by Cisco Systems, as well as customer support services, can be obtained at this URL:

<http://www.cisco.com/en/US/products/index.html>

- Networking Professionals Connection is an interactive website for networking professionals to share questions, suggestions, and information about networking products and technologies with Cisco experts and other networking professionals. Join a discussion at this URL:

<http://www.cisco.com/discuss/networking>

- World-class networking training is available from Cisco. You can view current offerings at this URL:

<http://www.cisco.com/en/US/learning/index.html>



Any Internet Protocol (IP) addresses used in this document are not intended to be actual addresses. Any examples, command display output, and figures included in the document are shown for illustrative purposes only. Any use of actual IP addresses in illustrative content is unintentional and coincidental.

© 2006 Cisco Systems, Inc. All rights reserved.

