



Planning for Provisioning

This chapter describes how to plan for system configuration. Before you can configure the system, you must determine the following:

- The system components you will be defining in the Cisco MGC software
- The configuration parameter values you will assign to each component
- The software release version installed in the Cisco MGC.

Software Release Version 7.4(x)

The software release version installed in the Cisco MGC will determine the steps that you will take for the tasks described in this chapter. Currently software Release 7.4(x), also called Drop 4, is discussed in this chapter.

This chapter describes the following tasks:

- [Planning Routes to Other Switches, page 2-2](#)
- [Planning SS7 Signaling Links, page 2-18](#)
- [Planning Media Gateway Control Links, page 2-25](#)
- [Route Analysis, page 2-40](#)

The order in which you configure components is important. Many components refer to other components that must be defined first. When you create the components described in this chapter, be sure to create them in the order described in this chapter.



Note

The virtual switch node can use two Cisco MGC hosts for maximum availability. The differences in the active and standby media gateway controllers (MGC) are defined in the XECfgParm.dat file, which is configured during software installation. The configuration planned in this chapter applies to both of the Cisco MGC hosts. You create one configuration for one exchange and apply that configuration to both Cisco MGC hosts.



Tip

This chapter provides blank tables you can use to plan the configuration components. While some tables provide room to define many components, other tables allow you to plan just one component. Before you start your planning, copy the tables and write on the copies. This way, you can make additional copies later if you need them.

Planning Routes to Other Switches

Figure 2-1 shows the software components that must be configured to connect the Cisco MGC to an external switch.

Figure 2-1 SS7 Signaling Route Configuration Components

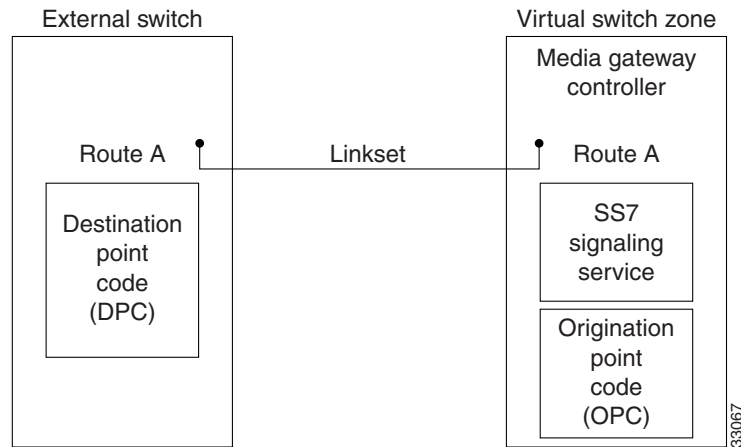
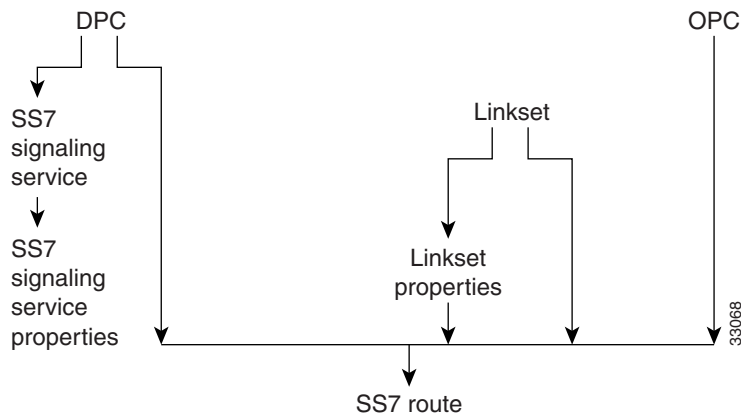


Figure 2-2 shows the order in which the components shown in Figure 2-1 must be configured.

Figure 2-2 SS7 Signaling Route Component Hierarchy



To configure routes between the Cisco MGC and a destination device (for example, a switch), you must do the following:

- Step 1** Define the SS7 network addresses (point codes) of devices along the signaling route.
- Step 2** Define linksets.
- Step 3** Override linkset properties (if necessary).
- Step 4** Define an SS7 subsystem for each pair of STPs.
- Step 5** Define an SS7 signaling service to support the signaling route.
- Step 6** Override the SS7 signaling service properties (if necessary).

Step 7 Define the SS7 signaling route.



Note

When provisioning, fully define all components (see [Figure 2-2](#)) before deploying a configuration.



Note

For properties not described in this chapter, refer to the *Cisco Media Gateway Controller Software Release 7 Reference Guide*.

Defining SS7 Network Addresses

The first step in planning signaling routes is to identify the SS7 network devices that link the Cisco MGC to remote switches. To identify these network devices, you must configure the point codes (see [Table 2-1](#) for a list of point code parameter descriptions), which serve as SS7 network addresses. The point codes must be unique within the SS7 network. You must get these point codes from your SS7 network administrator.

Point codes are necessary for the following network devices:

- Cisco MGC—Within the Cisco MGC software, the Cisco MGC's point code is called the *origination point code* (OPC). [Table B-4](#) serves as a form where you can plan the OPC configuration for your Cisco MGC.
- STP—Within the Cisco MGC software, the point code for each STP with which the controller communicates is called the *adjacent point code* (APC). [Table B-6](#) serves as a form where you can plan the APCs for your Cisco MGC.
- Destination switch—Within the Cisco MGC software, a remote device's point code is called a *destination point code* (DPC). You need a point code for each remote switch with which the MGC node will communicate. [Table B-5](#) serves as a form where you can plan the DPCs for your Cisco MGC.

When configuring a Cisco MGC, you must enter a point code and a point code type for each Cisco MGC, along with the network address and the network indicator. The point code type is OPC and the point code address is a value in the format *x.x.x*. For example, 8.232.72. The two periods separating the three numeric labels are required, and the numeric labels must be entered in decimal values. If your service provider issues these numbers using binary or hexadecimal values, you must convert them to decimal.



Note

The point code examples used in this document follow the ANSI SS7 point code format.

For configuring point codes for remote switches, the point code type is DPC. Each point code for an STP is an APC, and the STP point code type is APC. The point code values for DPCs and APCs use the same format (*x.x.x*) as for OPCs.

To define SS7 network addresses, you must configure the following component types:

- CMM Component Name: PointCode
- MML Component Name: PTCODE
- CMM Component Name: APC
- MML Component Name: APC

Table 2-1 Point Code Parameter Descriptions

MML Parameter Name	CMM Parameter Name	Description
NAME	MML name	Unique name for this point code. Enter as many as 10 alphanumeric characters (or 20 alphanumeric characters for Release 7.4) and enclose in straight quotes. Hyphens (-) can be used.
NETADDR	Network address	SS7 network address in dotted notation.
NETIND	Network indicator	The network indicator assigned by the network administrator.
DESC	Description	Text description of this point code. Enter as many as 128 characters and enclose in straight quotes.

Defining Linksets

After you determine the point codes for your network devices, you must define the *linksets* that connect each MGC node directly to a remote switch or indirectly through an STP. A linkset is the group of all communication links connecting an MGC node to a specific SSP or STP. When two STPs are defined as mates within the Cisco MGC software, the Cisco MGC can use either linkset to connect to the SS7 signaling network.

[Table 2-2](#) lists the configuration parameters you must define for each linkset, and [Table B-7](#) serves as a form that you can use to define linksets.

To define linksets, you must configure the following component types:

- CMM Component Name: LinkSet
- MML Component Name: LNKSET


Note

When configuring linksets for STP connections, you will usually configure two linksets for each pair of STPs.

Table 2-2 Linkset Configuration Parameter Descriptions

MML Parameter Name	CMM Parameter Name	Description
NAME	MML name	Unique name for this linkset. Enter as many as 10 characters (or 20 alphanumeric characters for Release 7.4) and enclose in straight quotes. Hyphens (-) can be used.
APC	Adjacent point code/point code	Adjacent point code or destination point code. For linksets that connect directly to an SSP, enter the MML name of a previously defined destination point code. For linksets that connect to a Cisco SLT, enter the MML name of a previously defined adjacent point code.
TYPE	Transport type	Enter TDM for linksets that connect directly to an SSP, or enter IP for linksets that connect to Cisco SLTs. The default is TDM.

Table 2-2 Linkset Configuration Parameter Descriptions

MML Parameter Name	CMM Parameter Name	Description
PROTO	Protocol family	Enter one of the following: <ul style="list-style-type: none"> SS7-ANSI SS7-ITU SS7-China SS7-Japan SS7-UK
DESC	Description	Text description of this linkset. Enter as many as 128 characters and enclose in straight quotes.

Table 2-3 Linkset Configuration Parameters

Name	APC or DPC	Type	Proto	Desc

Evaluating Linkset Properties

Linkset properties serve as additional configuration parameters you can use to tune linkset communications. [Table 2-4](#) lists the default properties assigned to linksets. These properties apply to all linksets you create. You do not have to enter these values.

To change linkset properties, you must configure the following component types:

- CMM Component Name: Properties (access from the LinkSet component window)
- MML Component Name: LNKSETPROP

Table 2-4 Linkset Property Descriptions

MML Parameter Name	Default Value	Unit	Description
mtp2AermEmgThr ¹	1	Messages	Alignment error rate monitor threshold duration for emergency operation. Value: 1 message.
mtp2AermNrmThr	4	Messages	Alignment error rate monitor threshold duration for normal operation. Value range: 1 through 4 messages.
mtp2CongDiscard	false		Discard frames upon entering congestion at MTP2. Set to true or false.
mtp2LssuLen	1 for all except SS7-JAPAN=2	Octets	Link status signal unit, status field length. Specify either 1 or 2.

Table 2-4 Linkset Property Descriptions (continued)

MML Parameter Name	Default Value	Unit	Description
mtp2MaxAlignRetries	5	Attempts	Maximum number of attempts to align link before declaring it Out-of-Service (OOS). Value range: 1 through 10 attempts. Note The Cisco MGC also reattempts link alignment every 5 seconds.
mtp2MaxMsuFrmLen	272	Octets	Maximum frame length of a C7 message signal unit. Specify 62 or 272.
mtp2MaxOutsFrames	127 for all except SS7-JAPAN=40	Frames	The maximum number of outstanding frames that can be sent without receiving an acknowledgment. Value range: 1 through 127.
mtp2ProvingEmgT4	6 for all except SS7-JAPAN=30 ²	Tenths of a second	Emergency proving period. Value range: 5 through 7 tenths of a second.
mtp2ProvingNormalT4	23 for all except SS7-JAPAN=30	Tenths of a second	Normal proving period. Value range: 1 through 3 seconds.
mtp2SuermThr	64 for all except SS7-JAPAN=16384	Frames	Signal unit error rate monitor threshold for emergency operation. Value range: 1 through 16385.
mtp2T1	SS7-ANSI=130 SS7-UK=450 SS7-CHINA=450 SS7-ITU=450 SS7-JAPAN=150	Tenths of a second	Maximum period in Aligned/Ready state before return to Out-of-Service state. Value range: 12 through 16 seconds (for ANSI) or 40 through 50 seconds (for BT, CHINA, and ITU).
mtp2T2	SS7-ANSI=115 SS7-UK=250 SS7-CHINA=250 SS7-ITU=250 SS7-JAPAN=50	Tenths of a second	Maximum period in Not Aligned state before return to Out-of-Service state. Value range: 5 through 30 seconds.
mtp2T3	SS7-ANSI=115 SS7-UK=20 SS7-CHINA=20 SS7-ITU=20 SS7-JAPAN=30	Tenths of a second	Maximum period in Aligned state before return to Out-of-Service state. Value range: 5 through 14 seconds (for ANSI) or 1 through 2 seconds (for BT, CHINA, and ITU).
mtp2T5	1 for all except SS7-JAPAN=2	Thousandths of a second	Period for sending a SIB ³ message to far-end. Value range: 80 through 120 seconds.
mtp2T6	SS7-ANSI=30 SS7-UK=60 SS7-CHINA=60 SS7-ITU=60 SS7-JAPAN=30	Tenths of a second	Remote congestion timer. If congestion is not cleared before expiration of this timer, the link fails. Value range: 1 through 6 seconds (for ANSI) or 3 through 6 seconds (for BT, CHINA, and ITU).
mtp2T7	10 for all except SS7-JAPAN=20	Tenths of a second	MTP2 acknowledgment timer. On timer expiration, the link fails and an “excessive delay of acknowledgment” management message is generated. Value range: 0.5 through 2 seconds (for BT, CHINA, and ITU).

Table 2-4 Linkset Property Descriptions (continued)

MML Parameter Name	Default Value	Unit	Description
mtp3ApcMtpRstrT28	SS7-ANSI=10	Tenths of a second	Overall restart timer for signaling point adjacent to one whose MTP restarts. Value range: 3 through 35 seconds (for ANSI only).
mtp3DlnkConnAckT7	10 for all except SS7-JAPAN=20	Tenths of a second	Waiting for signaling data link connection acknowledgment. Value range: 1 through 2 seconds, or through 5 seconds when you are connecting over a Cisco SLT.
mtp3FrcUnhT13	10 for all except SS7-JAPAN=0	Tenths of a second	Waiting for force uninhibited. Value range: 0.8 through 1.5 seconds.
mtp3InhAckT14	20 for all except SS7-JAPAN=0	Tenths of a second	Waiting for inhibit acknowledgment. Value range: 2 through 3 seconds.
mtp3LocInhTstT20	SS7-ANSI=900	Tenths of a second	Waiting to repeat local inhibit test. Value range: 90 through 120 seconds (for ANSI only).
mtp3MaxSlrTries	2 for all except SS7-JAPAN=0	Messages	Maximum number of retries of signaling link test message. If MTP3 does not receive a response after two signaling link test messages, the system fails the link. Value range: 1 through 5.
mtp3MsgPriority	SS7-ANSI=2 SS7-UK=1 SS7-CHINA=1 SS7-ITU=2 ⁴ SS7-JAPAN=2		Message priority of management messages for congestion periods. Value range: 0 through 3. Priority 1 indicates no congestion priorities. Priorities greater than 1 indicate multiple congestion priorities. Priority 3 is the highest priority.
mtp3MtpRstrT20	900 for all except SS7-JAPAN=0	Tenths of a second	Overall MTP restart timer at the signaling point whose MTP restarts. Value range: 59 through 61 seconds. Note This parameter is for BT, CHINA, and ITU.
mtp3ApcMtpRstrT21	SS7-UK=640 SS7-CHINA=10 SS7-ITU=640 SS7-JAPAN=0	Tenths of a second	Overall MTP restart timer at an SP adjacent to an SP whose MTP restarts. Value range: 63 through 65 seconds. Note This parameter is for BT, CHINA, and ITU.
mtp3LocInhTstT22	3000 for all except SS7-JAPAN=0	Tenths of a second	Waiting to repeat local inhibit test. Value range: 3 through 6 minutes.
mtp3MtpRstrT24	SS7-ANSI=60	Tenths of a second	Overall MTP restart timer for local MTP restart. Value range is network-dependent.
mtp3RepeatRstrT26	SS7-ANSI=150	Tenths of a second	Traffic restart waiting message at local MTP restart. Value range: 12 through 15 seconds.
mtp3TfrUsed	false		Transfer restricted procedure is enabled (true) or disabled (false). Set to true or false.
mtp3TraSnT29	SS7-ANSI=600	Tenths of a second	Timer started when traffic restart allowed is sent in response to unexpected traffic restart allowed or traffic restart waiting. Value range: 60 through 65 seconds.
mtp3tstSlmT1	SS7-ANSI=60 SS7-UK=50 SS7-CHINA=50 SS7-ITU=50 SS7-JAPAN=0	Tenths of a second	Waiting for signaling link test acknowledgment message. This must be greater than the value in mtp2T6. Value range: 0 through 12 seconds.

Table 2-4 Linkset Property Descriptions (continued)

MML Parameter Name	Default Value	Unit	Description
mtp3stSltmT2	SS7-ANSI=600 SS7-UK=300 SS7-CHINA=300 SS7-ITU=300 SS7-JAPAN=0	Tenths of a second	Interval for sending signaling link test message. Value range: 0 through 90 seconds.
mtp3UnhAckT12	10 for all except SS7-JAPAN=0	Tenths of a second	Waiting for uninhibited acknowledgment. Value range: 0.8 through 1.5 seconds.
mtp3T0	SS7-JAPAN=200	Tenths of a second	Not used.
mtp3T7	SS7- JAPAN=20	Tenths of a second	Waiting for signaling data link connection acknowledgement. Value range: 1 through 20 seconds.
mtp3T12	SS7-JAPAN=0	Tenths of a second	Waiting for signaling data link connection acknowledgement. Value range: 500 through 1500 milliseconds.
mtp3T13	SS7-JAPAN=0	Tenths of a second	Same as mtp3FrcUnhT13.
mtp3T14	SS7-JAPAN=0	Tenths of a second	Same as mtp3InhAckT14.
mtp3T20	SS7-JAPAN=0	Tenths of a second	Same as mtp3MtpRstrT20.
mtp3T21	SS7-JAPAN=0	Tenths of a second	Same as mtp3ApcMtpRstrT21.
mtp3T22	SS7-JAPAN=0	Tenths of a second	Same as mtp3LocInhTstT22.
reference	SS7-ANSI= ANSI92 SS7-UK=ITU92 SS7-CHINA= ITU92 SS7-ITU=ITU92 SS7-JAPAN=Japan		Denotes versions for protocol standards supported for MTP. for SS7-ANSI: options ANSI92, ANSI96 for SS7-UK, SS7-CHINA, SS7-ITU: options ITU88 and ITU92 for SS7-JAPAN: options Japan, TTC.
rudpAck	enable		Not used.
rudpKeepAlives	enable		Not used.
rudpNumRetx	3		The maximum number for Retransmission count. Value range: 1 through 100.
rudpWindowSz	32		The maximum number for Unacknowledged Segments in the RUDP window. Value range: 2 through 64.
rudpRetxTimer	3	Tenths of a second	The Retransmission timeout. Value range: 2 through 100.
rudpSdm	enable		Not used.

1. The mtp2 parameters are used with directly connected SS7 signaling links (for example, ITK or PTI cards).
2. All timer values are expressed in tenths of a second. For example, 130 = 13 seconds.
3. SIB = Status indication busy

4. You cannot configure the `SS7-ITU.mtp3MsgPriority` property in release 7.4(x) using MML or CMM. Refer to the following section, “[Disabling the Message Priority Feature](#),” for detailed instructions.

Disabling the Message Priority Feature

The `SS7-ITU.mtp3MsgPriority` property defines the priority of management messages for congestion periods. A value of 1 disables the message priority feature and automatically sets the A/B bits to 0 (zero). Properties greater than 1 indicate multiple congestion priorities.

**Note**

You cannot configure the `SS7-ITU.mtp3MsgPriority` property in release 7.4(x) using MML or CMM.

Perform the following steps to disable the message priority feature:

-
- Step 1** Complete the following steps on both the active and standby machine:
- a. `cd /opt/CiscoMGC/etc.`
 - b. `vi properties.dat.`
 - c. Change the value of `SS&-ITU.mtp3MsgPriority` to 1.
 - d. `cp properties.dat active_link/.`
- Step 2** Stop and then restart the standby machine.
- Step 3** Perform a manual switchover.
- Step 4** Stop and then restart the new standby machine.
-

Defining SS7 Subsystems

In the Cisco MGC, an *SS7 subsystem* is used to mate two STPs or to define SS7 subsystems that access IN services. When two STPs are defined as mates within the Cisco MGC software, the software can use either STP for communications with an external switch. [Table 2-5](#) lists the configuration parameters you can use to configure an SS7 subsystem, and [Table B-13](#) serves as a form that you can use to plan for the SS7 subsystems.

**Note**

You must define one SS7 subsystem for each STP to which the MGC node connects.

To define an SS7 subsystem, you must configure the following component types:

- CMM Component Name: `SS7SubSys`
- MML Component Name: `SS7SUBSYS`

For mated STPs, the subsystem defined for each STP defines the other STP as the mate using the `MATEDAPC` parameter.

Table 2-5 SS7 Subsystem Configuration Parameter Descriptions

MML Parameter Name	CMM Parameter Name	Description
NAME	MML name	Unique name for this subsystem. Enter as many as 10 alphanumeric characters (or 20 alphanumeric characters for Release 7.4) and enclose in straight quotes. Hyphens (-) can be used.
SVC	Adjacent point code	Adjacent point code for an STP. The MML name or index of the APC if TRANSPROTO is SCCP. Or the MML name or index of TCAPOverIP service for IN trigger services if TRANSPROTO is TCPIP. Enter the MML name of a previously defined APC.
MATEDAPC	Mated Adjacent Point Code	Adjacent point code for an STP mate. Enter the MML name of previously defined APC. Only used when mating STPs, not when creating Advanced Intelligent Network (AIN) subsystems.
PRI	Priority	Priority. Enter an integer that is greater than 0 and less than 4. One (1) is the highest priority level. When two subsystems share the same priority level, traffic is shared by both subsystems. Not used when mating STPs. Default = 1.
PROTO	Protocol family	Protocol family. When mating STPs, only the SS7 variant is allowed. <ul style="list-style-type: none"> SS7-ANSI—When creating an AIN subsystem. SS7-ITU—When creating an AIN subsystem. SS7-China—When mating an STP pair. SS7-Japan—When mating an STP pair. SS7-UK—When mating an STP pair. If the SVC is an APC, SCCP should not be used (SCCP is not used when mating STP pairs). If the SVC is a TCAPOverIP service, then TCPIP should be used
SSN	Subsystem number	Subsystem number. Enter an integer from 0 to 255. When mating STPs, SSN = 0. When using IN services, SSN can be set to a value greater than 0. Default = 0.
STPSCPIND	STP-SCP index	STP/SCP index. Enter an integer greater than 0. When mating STPs = 0. Default = 0. Not used when mating STPs.
TRANSPROTO	Transport protocol	Transport protocol. Enter the transport protocol of this subsystem. When mating STPs = SCCP. Values: SCCP or TCPIP. Not used when mating STPs.

Defining SS7 Routes

The final step in planning routes is to define the SS7 routes themselves. Routes are defined in terms of the point codes along the path and the linksets that lead from the MGC node through the STPs to each DPC. [Table 2-6](#) describes the configuration parameters you can use to configure routes, and [Table B-10](#) serves as a form for you to define your routes. It is a good practice to define two routes to each remote switch. Each route should pass through a different STP in a mated pair. The linkset parameter, LNKSET, defines which STP a route will follow.

To define an SS7 route, you must configure the following component types:

- CMM Component Name: SS7Route

- MML Component Name: SS7ROUTE

Table 2-6 SS7 Route Configuration Parameter Descriptions

MML Parameter Name	CMM Parameter Name	Description
NAME	MML name	Unique name for this route. Enter as many as 10 alphanumeric characters (or 20 alphanumeric characters for Release 7.4) and enclose in straight quotes. Hyphens (-) can be used.
OPC	Originating point code	Origination point code. Enter the MML name of a previously defined origination point code for this MGC node.
DPC	Destination point code	Destination point code. Enter the MML name of a previously defined destination point code for a remote switch.
LNKSET	Link set	Linkset that leads to the destination device. Enter the MML name of a previously defined linkset.
PRI	Priority	SS7 route priority. Enter an integer that is greater than 0. One (1) is the highest priority level. When two SS7 routes share the same priority level, traffic is shared by both routes. Default = 1.
DESC	Description	Text description of this route. Enter as many as 128 characters and enclose in straight quotes.

Planning the SS7 Signaling Service

The SS7 signaling service is the Cisco MGC software service that communicates over the route with a remote switch. You must define a separate service for each remote switch. [Table 2-7](#) describes each of the SS7 signaling service parameters and provides space for you to plan the configuration of one service. [Table B-19](#) serves as a form for you to define your signaling services.

To define an SS7 signaling service, you must configure the following component types:

- CMM Component Name: SigSS7
- MML Component Name: SS7PATH

Table 2-7 SS7 Signaling Service Configuration Parameter Descriptions

MML Parameter Name	CMM Parameter Name	Value	Description
NAME	MML name		Unique name for this signaling service. Enter as many as 10 alphanumeric characters (or 20 alphanumeric characters for Release 7.4) and enclose in straight quotes. Hyphens (-) can be used.
DESC	Description		Text description of this signaling service. Enter as many as 128 characters and enclose in straight quotes.
DPC	Point code		Destination point code. Enter the MML name of a previously defined destination point code.

Table 2-7 SS7 Signaling Service Configuration Parameter Descriptions (continued)

MML Parameter Name	CMM Parameter Name	Value	Description
MDO	MDO file name		Message definition object file name. Choose a valid protocol name. The list contained in Table 2-8 is only a sample. Refer to the release notes for the Cisco MGC software Release 7 for a current list of MDO file names.
SIDE	Side	Network	Q.931 call model side. Enter user for user side or network for network side. Default = network.
CUSTGRPID	Customer group ID	0000	Customer Group ID. Virtual network identification characters (formerly called the Closed User Group). Values accepted for this field depend on the use of the D channel. Used to retrieve information about this signaling service and which dial plan to use. Enter the four-digit ID. Default = 0000.
CUSTGRP TBL	Customer group table	—	Reserved for future use.

Table 2-8 Sample MDO File Names

Mdo File Name	Protocol Family
DPNSS_BTNR188	DPNSS
ETSI_300_102	ISDNPRI
ETSI_300_102_C1	ISDNPRI
ATT_41459	ISDNPRI
ATT_41459_C2	ISDNPRI
BELL_1268	ISDNPRI
ETSI_300_172	ISDNPRI
BELL_1268_C3	ISDNPRI
JAPAN_INS_1500	ISDNPRI
T113_BELL	SS7-ANSI
NORTEL_IBN7	SS7-ANSI
ANSISS7_SPRINT	SS7-ANSI
ANSISS7_STANDARD	SS7-ANSI
Q721_CHINA	SS7-CHINA
Q721_BASE	SS7-CHINA
Q767_BASE	SS7-ITU
ETSI_300_356	SS7-ITU
BTNUP_BTNR167	SS7-ITU
BTNUP_NRC	SS7-ITU
Q767_SPAN	SS7-ITU

Table 2-8 Sample MDO File Names (continued)

Mdo File Name	Protocol Family
Q761_BASE	SS7-ITU
HKTA_2202	SS7-ITU
ISUPV2_FRENCH	SS7-ITU
ETS_300_121	ISDNPRI
ISUPV2_SWISS	SS7-ITU
ISUPV2_GERMAN	SS7-ITU
FINLAND_5779	SS7-ITU
Q761_AUSTRAL	SS7-ITU
ISUPV1_POLI	SS7-ITU
ISUPV2_KPNPB	SS7-ITU
ISUPV2_JAPAN	SS7-JAPAN
ISUPV3_UK	SS7-UK
Q761_BELG_MOBI	SS7-ITU
Q767_ITAL	SS7-ITU
Q767_RUSS	SS7-ITU
EISUP	EISUP

Evaluating SS7 Signaling Service Properties

SS7 signaling service properties serve as additional configuration parameters that you can use to tune signaling service communications. [Table 2-9](#) lists the default properties assigned to an SS7 signaling service. These properties apply to all SS7 signaling services you create. You do not have to enter these values.

To change SS7 signaling service properties, you must configure the following component types:

- CMM Component Name: Properties (access from the SigSS7 component window)
- MML Component Name: SIGSVCPROP

Table 2-9 SS7 Signaling Service Property Descriptions

MML Parameter Name	Default Value	Description
adjDestinations	16	Number of adjacent destination point codes. Value range: 1 through 256.
BOrigStartIndex	0	Specifies the starting number analysis digit index for call originations. Value range: 0 or 1.
BTermStartIndex	0	Specifies the starting number analysis digit index for call terminations. Value range: 0 or 2.

Table 2-9 SS7 Signaling Service Property Descriptions (continued)

MML Parameter Name	Default Value	Description
BothwayWorking	1	Set to 0 to disable both way release / circuit free handling for BTNUP protocol. Value range: 0 or 1. Note Both the local and remote circuits between which the BothwayWorking parameter operates must be the same type—unidirectional or bidirectional. The Bearer Release Sequence operates differently depending on the type of circuit detected at the local end.
CGBA2	0	Determines if group (0) or individual (1) circuit group blocking acknowledgments (CGBAs) are required before the blocking is considered successful. Only applicable to ANSI SS7, IBN7, and CTUP protocols. Value range: 0 or 1.
CLIDefaultAllowed	false	Adjusts the presentation restricted field in the calling line identity to presentation allowed if set to true. Takes the mapped value from the OCC or TCC protocol side or the default value from the map for this field if false. Value range: true or false.
CLIPess	0	Set to 1 to force request of calling line identity if not automatically provided. Value range: 0 or 1.
COLDefaultAllowed	false	Adjusts the presentation restricted field in the Connected Line ID to presentation allowed if set to true. Takes the mapped value from the OCC or TCC protocol side or the default value from the map for this field if false. Value range: true or false.
CotInTone	2000 ± 20	Receive tone for continuity test (COT) hardware. The tone to listen for when doing a COT. Enter value in Hz. Value: 1780 or 2010.
CotListenDuration	60	Maximum period to listen for a COT. Value range: 0 through 200, specified in milliseconds (should be less than 2 seconds). The T24 timer is set for 60. (No longer used in software Release 7.4.9 and later.)
CotOutTone	2000 ± 20	Transmit tone for COT hardware. The tone that is produced. Enter value in Hz. Value: 1780 or 2010.
CotPercentage	0	Statistical COT. Value range: 0 through 100%.
CotPlayDuration	60	Maximum period in not aligned state before return to Out-of-Service state (should be less than or equal to the CotListenDuration). Value range: 1 through 200, specified in milliseconds. (No longer used in software Release 7.4.9 and later.)
dialogRange	0	TCAP transaction ID range (for example, 1 through 10000) for a specific subsystem. 0 = entire range.
ExtCOT	Loop	Determines the type of COT handling for the specified destination. Values: 0 (no COT), Loop, or Transponder. (Valid for Release 7.4.7(8) only.) Note This value is case sensitive.

Table 2-9 SS7 Signaling Service Property Descriptions (continued)

MML Parameter Name	Default Value	Description
ForwardCLinIAM	0	Set to 1 if outgoing IAM should contain the calling line identity, if available. Only applicable for BTNUP when interworking from other protocols. Value range: 0 or 1.
ForwardSegmentedNEED	1	Set to 0 to disable the forwarding of segmented NEED messages within the BTNUP_NRC protocol. If segmenting is disabled, all mandatory DPNSS information elements will be packed into a single BTNUP NEED message. Value range: 0 or 1.
GLARE	0	Call Collision Handling. Valid values are: <ul style="list-style-type: none"> 0 = No glare handling; also known as yield to all double seizures. Call collision results in a REL sent to both calls. Note Both ends of a link can be given this option. Default = 0. <ul style="list-style-type: none"> 1 = The Cisco MGC has control of all circuits and any call collisions are handled by this Cisco MGC. It ignores incoming IAMs and proceeds with its own calls as normal. Note Only one end of a link can be designated with this option. <ul style="list-style-type: none"> 2 = Highest point code controls the even circuits. Depending on the OPC of the Cisco MGCs, the side that has the higher point code will control the even circuits, while the side with the lower point code will control the odd circuits. Note Both ends of a link can be given this option.
GLARE (continued)	0	<ul style="list-style-type: none"> 3 = No control. The Cisco MGC specified with this option does not control any circuits. The Cisco MGC accepts incoming IAMs from the side with control. Note This option is usually used along with the remote node designated with control.
GRA2	0	Determines if paired (0) or single (1) group reset acknowledgments (GRAs) are required before the reset is considered successful. Only applicable to ANSI SS7, IBN7, and CTUP protocols. Value range: 0 or 1.
GRSEnabled	false	This property is assigned to an SS7 point code type signal path. Enables Group Reset and Blocking procedure at point code initialization. Synchronizes the Cisco MGC bearer channel blocking state with that of the end office. If True, GRS messages are sent for all CICs associated with the point code. If False, GRS messages are not sent.

Table 2-9 SS7 Signaling Service Property Descriptions (continued)

MML Parameter Name	Default Value	Description
hopCount	1	Default hop count. Value range: 0 or 15 (this indicates the maximum number of hops allowed for SCCP messages).
InternationalPrefix	NULL	International prefix string to be added to the international dialed number when NOA is enabled. Value range: NULL or a numeric string.
layerRetries	2	Number of times to resend request to adjacent layer without getting a response. Value range: 0 through 5. 0 = No retries.
layerTimer	10	Time (in tenths of a second) to wait for a response from adjacent layer (SS7 controller, TCAP to SCCP); tailor when layers are not resident on same processor. Value range: 0 through 10. 0 = Disabled, 10 = 1 second.
maxMessageLength	250	Maximum length of message to MTP3. This value must be less than the value for mtp2MaxMsuFrmLen. Value range: 0 through 272.
NationalPrefix	NULL	National prefix string to be added to the national dialed number when normalization is enabled. Value range: NULL or a numeric string.
NatureOfAddrHandling	0	Determines whether or not to do pre-analysis. Value range: 0 or 1.
Normalization	0	Normalization of dialed number to unknown. Set to 0 for disabled and 1 for enabled. Value range: 0 or 1.
OMaxDigits	24	Specifies maximum number of digits to receive for overlap digit processing for call origination from this traffic path. Value range: 0 through system maximum.
OMinDigits	0	Specifies minimum number of digits to receive for overlap digit processing for call origination from this traffic path. Value range: 0 through system maximum.
OOverlap	0	Set to 1 to enable overlap signaling for call origination from this traffic path. Value range: 0 through system maximum.
OverlapDigitTime	6	Overlap interdigit timer. The time to wait for the rest of the digits. Value range: 0 through 60. Note If OverlapDigitTimeValue timer is set to more than 30 seconds, other timers expire before this timer.
OwnClli	na	Specifies the common language location identifier (CLLI).
RedirMax	3	Specifies the maximum allowable value of the redirection counter parameter available in some C7 signaling systems before the call is force-released. Used to prevent routing loops in certain applications. Value range: 0 through system maximum.
restartTimer	10	Time (in tenths of a second) to pause before sending next group of messages to MTP3 after restart. Value range: 0 through 100. 0 = Disabled, 10 = 1 second.

Table 2-9 SS7 Signaling Service Property Descriptions (continued)

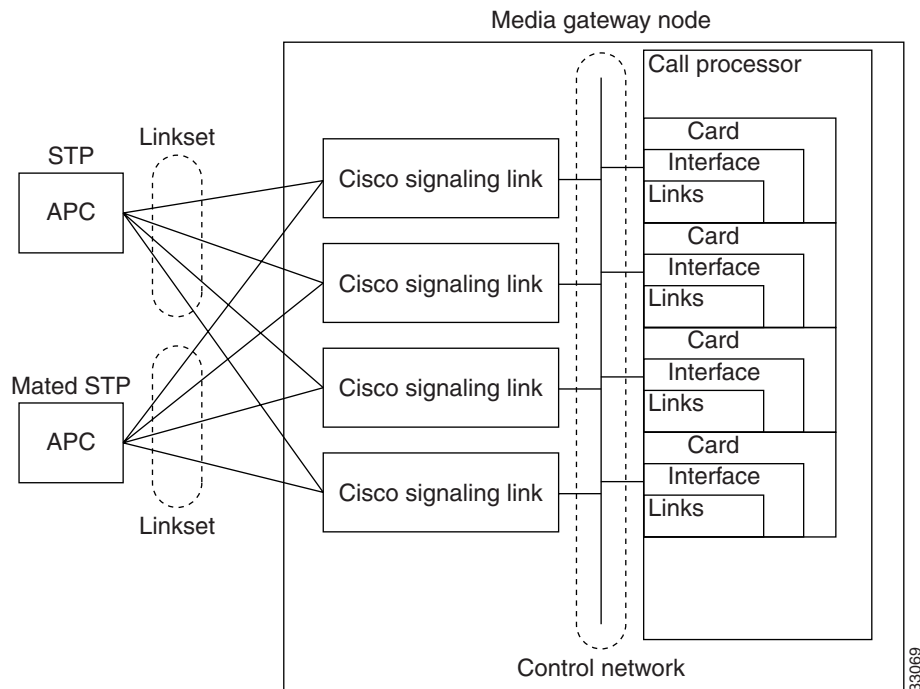
MML Parameter Name	Default Value	Description
RoutePref	0	Determines the preferred route. Value range: 0 through 9. 0 = No Preference (default) 5 = IP Preferred 1 = ATM Essential 6 = IP Excluded 2 = ATM Preferred 7 = TDM Essential 3 = ATM Excluded 8 = TDM Preferred 4 = IP Essential 9 = TDM Excluded
sendAfterRestart	SS7-ANSI=16	Number of queued messages to send (in one group) to MTP3 after restart end. This value, combined with the sendTimer, controls the amount of data sent to MTP3 after restart ends. If too much data is sent to MTP3 after restart, MTP3 could be flooded. Value range: 0 through 256.
slsTimer	SS7-ANSI=300	Time (in tenths of a second) to maintain the same signal linkset in class 1 (connectionless) messages. This is the type of service provided by the SCCP layer. Value range: 0 through 600. 0 = Disabled, 300 = 30 seconds.
srtTimer	SS7-ANSI=300	Time (in tenths of a second) between sending Subsystem Route Test message (SRT) to remote subsystems. Value range: 0 through 3000. 0 = disabled, 300 = 30 seconds.
sstTimer	SS7-ANSI=300	Time (in tenths of a second) between sending Subsystem Status Test (SST) messages to an unavailable remote subsystem. Value range: 0 through 3000. 0 = Disabled, 300 = 30 seconds.
standard	SS7-ANSI=ANSI96, SS7-ITU=ITU96, ANSI96, ITU96, ANSI92, ITU92	Version of protocol standard supported for this STP/SCP.
TMaxDigits	24	Specifies maximum number of digits to receive for overlap digit processing for call termination to this traffic path. Value range: 0 through system maximum.
TMinDigits	0	Specifies minimum number of digits to receive for overlap digit processing for call termination to this traffic path. Value range: 0 through system maximum.
TOverlap	0	Set to 1 to enable overlap signaling for call termination to this traffic path. Value range: 0 or 1.
variant	SS7-ANSI=SS7-ANSI, SS7-ITU	SS7 protocol variants supported by local subsystem.
VOIPPrefix	0	A numeric string.

Planning SS7 Signaling Links

Once you have planned your SS7 routes (as described in the “[Planning Routes to Other Switches](#)” section), it is time to plan the communication links between the MGC node and the SS7 SPs. SPs are SS7 network nodes, such as STPs and SSPs, with which the Cisco MGC communicates. The Cisco MGC supports two types of SP links: Cisco SLT links and direct SP links. Cisco SLT links use the Cisco SLT to offload MTP 1 and MTP 2 processing to Cisco SLTs. Direct SP links directly link the Cisco MGC to an SP; the Cisco MGC performs all signal processing including MTP 1 and MTP 2 processing.

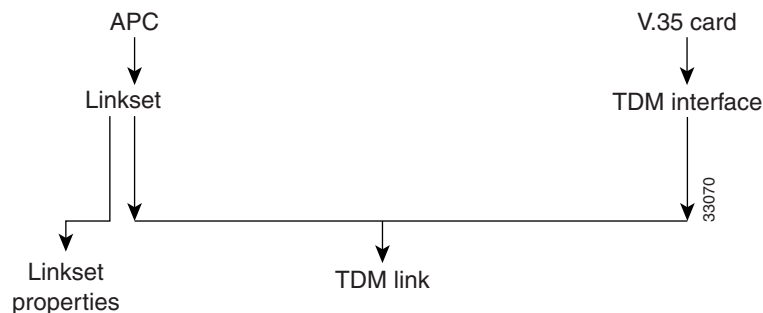
While linksets define which SP a given route uses, it is the links that carry the communications traffic. [Figure 2-3](#) shows the components you must configure to enable communications with the SPs.

Figure 2-3 Configuring Signaling Linksets and Links



[Figure 2-4](#) shows the order in which the signaling link components must be configured.

Figure 2-4 Signaling Link Component Hierarchy (without Cisco SLTs)



This section describes how to plan for provisioning the signaling link components:

1. Create point codes (APC or DPC)
2. Create linkset
3. Override linkset properties (if necessary)
4. Create adapter
5. Create interface
6. Create TDM link

It is best to plan SS7 routes before you configure links, because you define APCs and linksets when defining routes, and these components must be planned and configured before you can configure links. Because the planning of these components is described in the “[Planning Routes to Other Switches](#)” section, these procedures are not repeated here. This section describes how to plan for provisioning the following components:

- Cisco MGC cards
- Cisco MGC interfaces
- Links

The following sections describe how to plan for each of these components.

Planning Network Cards for Cisco SLT Communications

Cards are the hardware cards that are installed on the host computer and provide the network interfaces that communicate with other devices. When planning STP links, you define cards that will communicate with the MGC node Cisco SLTs.



Note

In the MGC node, the same cards and interfaces can be used for communication with the Cisco SLTs and media gateways. When this type of configuration is used, separate links are assigned for the Cisco SLT and media gateway communications.

All Cisco MGCs will have at least one Ethernet interface card installed. When configuring the Cisco MGC you need to enter the card name, type, slot number, and IP address information. The IP address information is entered by entering or selecting a system variable name, which is associated with an IP address in the XECfgParm.dat file. You configure the IP addresses and assign them to variables using the procedures in *Cisco Media Gateway Controller Software Release 7 Installation and Configuration Guide*.

Configuring the Cisco MGC can be performed using either the Cisco Media Gateway Controller Manager (CMM), with its graphical user interface, or the Man-Machine Language (MML), with its command-line interface. In many of the tables, you will see both the MML parameter name and the corresponding CMM parameter name. Refer to “[Provisioning Tools](#)” section on page 1-12 for a brief explanation of each provisioning tool.

[Table 2-1](#) lists the Cisco MGC interface card parameter definitions. Use [Table B-1](#) to enter the configuration information for the network interface cards installed in your Cisco MGC. For Ethernet cards, the system variable is required for configuration, but the IP address and card slot are not required. The IP address column is provided for convenience.

To provision network cards, you must configure the following component types:

- CMM Component Name: Adapter
- MML Component Name: CARD

[Table 2-10](#) describes configuration parameters you can use to configure cards, and [Table B-1](#) serves as a form on which you can plan card configurations.

Table 2-10 Card Configuration Parameter Descriptions for Cisco SLT Communications

MML Parameter Name	CMM Parameter Name	Default Value	Description
NAME	MML name	None	Unique name for this component. Enter as many as 10 alphanumeric characters (or 20 alphanumeric characters for Release 7.4) and enclose in straight quotes. Hyphens (-) can be used.
SLOT	Slot	None	Location of card or adapter within the host machine. Acceptable values depend on the host machine. The first slot is usually 0. Enter a value from 0 through 15.
TYPE	Type	None	The interface card type. Acceptable values are: <ul style="list-style-type: none"> • ATM_NIC • EN • ITK • V35
DESC	Description	None	Text description of this component point code. Enter as many as 128 characters and enclose in straight quotes.

Planning Ethernet Interfaces for Cisco SLT Communications

Each SS7 link in the MGC node must be associated with an interface component, which must be associated with a network card. The interface represents a physical network connection on the network card.



Note

In the MGC node, the same cards and interfaces can be used for communication with the Cisco SLTs and media gateways. When configured this way, separate links are assigned for the Cisco SLT and media gateway communications.

To provision Ethernet interfaces, you must configure the following component types:

- CMM Component Name: EnetIF
- MML Component Name: ENETIF

[Table 2-11](#) describes the configuration parameters that define an Ethernet interface. [Table B-2](#) serves as a form for you to plan the Ethernet interfaces on your Cisco MGC.

Table 2-11 Ethernet Interface Configuration Parameter Descriptions

MML Parameter Name	CMM Parameter Name	Description
NAME	MML name	Unique name for this interface. Enter as many as 20 alphanumeric characters for Release 7.4) and enclose in straight quotes. Hyphens (-) can be used.
CARD	Ethernet adapter	Identifies the card that supports this interface. Set this to the MML name of a card that has already been defined.
DESC	Description	Text description of this interface. Enter as many as 128 characters and enclose in straight quotes.

Planning TDM Interfaces for Communications

Each SS7 link in the MGC node must be associated with an interface component, which must be associated with a network card. The interface represents a physical network connection on the network card.

To provision a TDM interface for the ITK (T1/E1) or V.35 card, you must configure the following component types:

- CMM Component Name: TDMIf
- MML Component Name: TDMIF

[Table 2-12](#) lists and describes the configuration parameters that define the TDM interface. [Table B-17](#) serves as a form for you to plan a TDM interface.

Table 2-12 TDM Interface Configuration Parameter Descriptions

MML Parameter Name	CMM Parameter Name	Default Value	Description
NAME	MML name	None	Unique name for this link. Enter as many as 10 alphanumeric characters (or 20 alphanumeric characters for Release 7.4) and enclose in straight quotes. Hyphens (-) can be used.
CARD	TDM line interface	None	Identifies the card that supports this interface. Set this to the MML name of a card that has already been defined.
LIFNUM	Line interface number	1	Selects the line interface number. Choose 1 through 4 for V.35; otherwise, choose 1.
RESIST	Resistance	75	Selects the line resistance, in ohms. Choose 75 (T1) or 120 (E1) for an ITK card; otherwise, choose 0.
DATARATE	Data rate	64	Selects the data rate for only the V.35 card. Choose 48, 56, or 64 (kbps).
CLOCK	Clock	EXT	Selects the clock source for only the V.35 card. Choose EXT (external) or INT (internal).
DTEDCE	DTE or DCE	DTE	Selects the device type for only the V.35 card. Choose DTE (data terminal equipment) or DCE (data communications equipment).

Table 2-12 TDM Interface Configuration Parameter Descriptions (continued)

MML Parameter Name	CMM Parameter Name	Default Value	Description
CODING	Coding	B8ZS	Selects the line coding type on the link. Choose either AMI (alternate mark inversion) or B8ZS (bipolar with 8 zero substitution) for T1. Choose HDB3 (high-density bipolar with 3 zero replacement) for E1.
FORMAT	Format	ESF	Selects the link framing format. Choose ESF (extended superframe) or D4 (superframe) for T1. Choose CRC4 (cyclic redundancy check 4) or CCS (common channel signaling) for E1. Choose NA (not applicable) for V.35.
SIGTYPE	Signal type	T1	Selects the type of signaling on the link. Choose T1 for ANSI (American National Standards Institute) DS1 (digital signal level 1). Choose CEPT (Conference Europeenne des Postes et des Telecommunications) for E1. Choose V.35 for 64 kbps digital.
HDLC	Control	HDLC	Selects the High-Level Data Link Control (HDLC) for the ITU link layer protocol standard. Choose Inverted HDLC (IHDLC) for an ITK card; otherwise choose HDLC.
DESC	Description	None	Text description of this link. Enter as many as 128 characters and enclose in straight quotes.

Table 2-13 TDM Interface Configuration Parameters

Name	Card	Desc

Planning A-Links Through Cisco SLTs

After you have planned your cards and interfaces, you are ready to plan the SS7 signaling links. When you configure C7 IP links, you can configure a maximum of two of these links for every Cisco SLT. Within the MGC node, the ends of each link are identified as follows:

- At the Cisco MGC end of each link, the link is associated with an Ethernet interface, an IP address, and a UDP port.
- At the Cisco SLT end of each link, the Cisco SLT is identified with an IP address and a UDP port.



Tip

For SS7 provisioning, keep the following points in mind.

A maximum of 6 OPCs that can be supported.

Enter routing information for the OPC before creating the C7 IP link.

For each OPC added, you must specify a different local port for each C7 IP link.

Provision a maximum of 32 links per local port number. Specify another port number for each additional group of 32 links.

The portion of the link between the Cisco SLT and the STP is identified by the TIMESLOT configuration parameter. The TIMESLOT configuration parameter identifies the physical port on the Cisco SLT.

To provision the Cisco SLT links, you must configure the following component types:

- CMM Component Name: C7IPLink
- MML Component Name: C7IPLNK

**Note**

When provisioning, fully define all components (see [Figure 2-2](#)) before deploying a configuration.

[Table 2-14](#) lists and describes the C7 IP link configuration parameters that define each link. [Table B-8](#) serves as a form for planning a single C7 IP link.

Table 2-14 C7 IP Link Configuration Parameter Descriptions

MML Parameter Name	CMM Parameter Name	Default Value	Description
NAME	MML name	None	Unique name for this link. Enter as many as 10 alphanumeric characters (or 20 alphanumeric characters for Release 7.4) and enclose in straight quotes. Hyphens (-) can be used.
DESC	Description	None	Text description of this link. Enter as many as 128 characters and enclose in straight quotes.
IF	Enet line interface	None	Ethernet interface to which this link connects. Enter the MML name of a previously defined Ethernet interface, or enter the SNMP index number for the interface.
IPADDR	IP address	None	Cisco MGC IP address for interface. Enter the IP address variable defined in the XECfgParm.dat file during the installation of the Cisco MGC. Valid entries are IP_Addr1, IP_Addr2, IP_Addr3, and IP_Addr4.
LNKSET	Link set	None	Linkset to which this link belongs. Enter the MML name of a previously defined linkset.
PORT	Port	1025	Cisco MGC port number to which this link connects. Enter any valid IP port number. Value range: 1025 through 32765.
PEERADDR	Peer address	None	Remote IP address (in dot notation) of the Cisco SLT interface to which this link connects. (May also be specified as a host name or a DNS name.)
PRI	Priority	1	Priority. Enter an integer greater than 0. Value range: 1 through 16.
SLC	Link code	1	SS7 Signaling link code. Value range: 0 through 15.
TIMESLOT	Time slot	0	Time slot field for the C7 IP link. Identifies the physical WAN interface card (WIC) slot, that is the SS7 serial port, of the Cisco SLT. Value range: 0 through 3.

Table 2-14 C7 IP Link Configuration Parameter Descriptions (continued)

MML Parameter Name	CMM Parameter Name	Default Value	Description
NEXTHOP	Next hop	0.0.0.0	Router IP address where packets are to be sent for delivery to the PEERADDR that is not a subnet directly connected to the MGC. Typically the PEERADDR is on a subnet directly connected to the MGC. NEXTHOP can be specified in dot notation or using the DNS name. Optional parameter. (Used for Release 7.4(10).) Value range: 0.0.0.0 (default, disables the IP routing feature) through 223.255.255.255.
NETMASK	Net mask	255.255.255.255	The four-octet value defining the part of the PEERADDR (in dot notation) that is treated as the network address. The upper 28 bits are the network address and the lower 4 bits are the host address. Optional parameter. (Used for Release 7.4(10).) Value range: 128.0.0.0 through 255.255.255.255.

Planning A-Links to Signaling Points

After you have planned your cards and interfaces, you are ready to plan the SS7 signaling links. When you configure time-division multiplexing (TDM) links, you must configure two of these links for every ITK or PTI card. Within the MGC node, the ends of each link are identified as follows:

- At the Cisco MGC end of each link, the link is associated with an V.35 or E1/T1 interface, an IP address, and an IP port.
- At the ITK or PTI card end of each link, the card is identified with an IP address and port.

The portion of the link between the ITK or PTI card and the STP is identified by the TIMESLOT configuration parameter. The TIMESLOT configuration parameter identifies the physical port on the Cisco MGC.

To provision TDM links, you must configure the following component types:

- CMM Component Name: TDMLink
- MML Component Name: TDMLNK

Table 2-15 lists and describes the TDM link configuration parameters that define each link. Table B-24 serves as a form for planning a single TDM link.

Table 2-15 TDM Link Configuration Parameter Descriptions

MML Parameter Name	CMM Parameter Name	Default Value	Description
DESC	Description	None	Text description of this link. Enter as many as 128 characters and enclose in straight quotes.
IF	TDM line interface	None	Enter the MML name of a previously defined TDM interface to which this link connects.
NAME	MML name	None	Unique name for this link. Enter as many as 10 alphanumeric characters (or 20 alphanumeric characters for Release 7.4) and enclose in straight quotes. Hyphens (-) can be used.

Table 2-15 TDM Link Configuration Parameter Descriptions (continued)

MML Parameter Name	CMM Parameter Name	Default Value	Description
PRI	Priority	1	Priority. Enter an integer. Value range: 0 through 15.
SLC	Link code	1	SS7 signaling link code. Enter an integer greater than 0.
SVC	Link set	None	Enter the MML name of a previously defined signaling service or linkset.
TIMESLOT	Time slot	1	Time slot this link uses. Value range: 1 through 24 for T1, or 1 through 32 for E1.

Planning F-Links Through Cisco SLTs

After you have planned your cards and interfaces, you are ready to plan the SS7 signaling links. When you configure F-links, you must configure one of these links for every Cisco SLT. Within the MGC node, the ends of each link are identified from the Cisco SLT to the specific DPC.

Planning F-Links to Signaling Points

After you have planned your cards and interfaces, you are ready to plan the SS7 signaling links. When you configure F-links, you must configure one of these links for every ITK or PTI card. Within the MGC node, the ends of each link are identified from the Cisco MGC to the specific DPC.

Planning PRI Backhaul Links

After you have planned your cards and interfaces, you are ready to plan the SS7 signaling links. When you configure PRI backhaul links, you must configure one of these links for every Ethernet card to the media gateway (MGW). Within the MGC node, the ends of each link are identified from the Cisco MGC to the MGW.

Planning Media Gateway Control Links

The MGW control links provide the communication path the Cisco MGC uses to control the bearer traffic that passes through each MGW. Planning MGW control links is similar to planning the other components described earlier in this chapter. [Figure 2-5](#) shows the MGW control link components.

Figure 2-5 Media Gateway Control Link Components

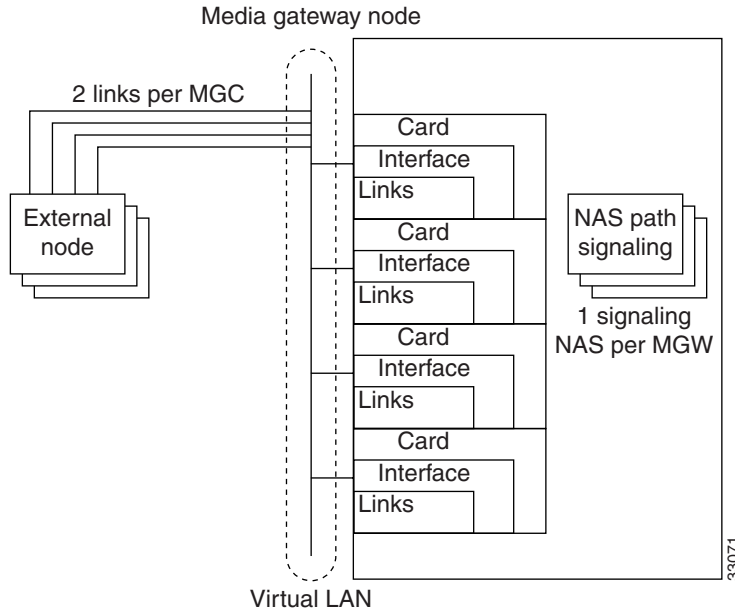
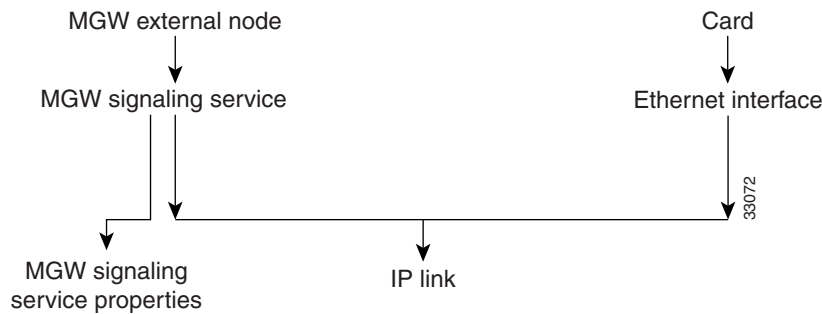


Figure 2-6 shows the order in which the MGW control link components must be configured.

Figure 2-6 Media Gateway Control Link Component Hierarchy



The cards and interfaces shown in Figure 2-5 are configured in the same way as the cards and interfaces used for SS7 signaling links. In fact, you might be able to use the same cards and interfaces previously planned for your MGW control links. You must define IP link components for MGW communications; you cannot use C7 IP links or TDM links.



Tip

Links are logical connections between a Cisco MGC physical interface and another device. You can assign multiple links to any interface. When assigning links, be sure to consider fault tolerance. For example, placing all four links between the Cisco MGC and one MGW on the same interface results in a useless MGW if that interface fails.

This section describes how to plan for provisioning the following component types:

1. External nodes
2. Cisco MGC cards
3. Cisco MGC interfaces

4. Media gateway signaling services
 5. Override properties (if necessary)
 6. IP links
-

The following sections describe how to plan for each of these components.

Planning Media Gateway External Nodes

An external node is another device, such as a media gateway, with which the Cisco MGC communicates. Within the Cisco MGC software, an external node is a system component that describes another device. The Cisco MGC can connect to a maximum of eight media gateways, and you must configure an external node for each MGW.

To provision media gateway external nodes, you must configure the following component types:

- CMM Component Name: ExtNode
- MML Component Name: EXTNODE



Note

If you are configuring a redundant system, you must define two redundant link manager links between each MGC and MGW. Each redundant link manager group must be associated with a different port number and a different NASPATH, but the same EXTNODE.

[Table 2-16](#) describes the external node configuration parameters, and [Table B-14](#) serves as a form for you to plan a unique name for each media gateway.

Planning for the Media Gateway Signaling Service

A media gateway signaling service must be defined for each media gateway. As shown in [Table 2-17](#), each media gateway signaling service defines the parent media gateway external node and assigns a media gateway ID to that device. [Table B-16](#) provides space to plan a single media gateway signaling service.

To provision a media gateway signaling service, you must configure the following component types:

- CMM Component Name: SigNAS
- MML Component Name: NASPATH
- CMM Component Name: SigEISUP
- MML Component Name: EISUPPATH
- CMM Component Name: SigIPFAS
- MML Component Name: IPFASPath
- CMM Component Name: TCAPOverIP
- MML Component Name: TCAPIPPATH

Table 2-17 Media Gateway Signaling Service Configuration Parameter Descriptions

MML Parameter Name	CMM Parameter Name	Default Value	Description
NAME	MML name	None	Unique name for this signaling service. Enter as many as 10 alphanumeric characters (or 20 alphanumeric characters for Release 7.4) and enclose in straight quotes. Hyphens (-) can be used.
MDO	MDO file name	None	Enter a valid message definition object (MDO) file protocol name by using the PROV-RTRV:VARIANTS MML command.
EXTNODE	External node	None	Enter the external node name assigned to the media gateway you are configuring.
SIDE	Side	network	Q.931 call model side. Enter user for user side or network for network side. Default = network. (Used only for IP FAS transport service.)
CUSTGRPID	Customer group ID	0000	Customer Group ID. Virtual network identification characters (formerly called the VNET ID). Values accepted for this field depend on the use of the D channel. Enter the four-digit ID. (Used only for IP FAS transport service.)
CUSTGRP TBL	Customer group table	NA	Reserved for future use.
ABFLAG	A/B flag	N	A/B flag. Specifies digital private network signaling system (DPNSS) a or b side. Enter A for a side, B for b side, or N for not applicable. (Used only for IP FAS transport service.)
CRLLEN	Call reference length	2	Call reference length. Enter 0 for DPNSS, 1 for one-byte call reference, or 2 for two-byte call reference. Default = 2. (Used only for IP FAS transport service.)
DESC	Description	None	Text description of this signaling service. Enter as many as 128 characters and enclose in straight quotes.

**Tip**

When configuring your network, keep in mind that the naming convention and description you use need to uniquely identify and thoroughly describe not only the component but also its source and destination. Even though the name parameter is limited, use a description that will allow someone else to understand the network well enough to scale or troubleshoot it.

Planning Network Cards for Media Gateway Communications

Network cards are the hardware cards installed on the host computer providing the network interfaces that communicate with other devices. When planning media gateway control links, you define the cards that will communicate with the media gateways.

**Note**

In the MGC node system, the same cards and interfaces can be used for communication with Cisco SLTs and media gateways. When configured this way, separate links are assigned for Cisco SLT and media gateway communications.

To provision cards, you must configure the following component types:

- CMM Component Name: Adapter
- MML Component Name: CARD

[Table 2-18](#) describes configuration parameters you can use to configure network cards, and [Table B-1](#) serves as a form on which you can plan network card configurations.

Table 2-18 Card Configuration Parameter Descriptions for Media Gateway Communications

MML Parameter Name	CMM Parameter Name	Default Value	Description
NAME	MML name	None	Unique name for this component. Enter as many as 10 alphanumeric characters (or 20 alphanumeric characters for Release 7.4) and enclose in straight quotes. Hyphens (-) can be used.
SLOT	Slot	None	Location of card or adapter within the host machine. Acceptable values depend on the host machine. The first slot is usually 0. Value range: 0 through 15.
TYPE	Type	None	Type of card or adapter. Acceptable values are: <ul style="list-style-type: none"> • ATM_NIC • EN • ITK • V35
DESC	Description	None	Description of this component. Enter as many as 128 characters and enclose in straight quotes.

Planning Ethernet Interfaces for Media Gateway Communications

Each SS7 link in the MGC node must be associated with an Ethernet interface component, which must be associated with a network card. The Ethernet interface represents a physical network connection on the network card.



Note

In the MGC node, the same cards and interfaces can be used for communication with Cisco SLTs and media gateways. When configured this way, separate links are assigned for Cisco SLT and media gateway communications.

To provision an Ethernet interface, you must configure the following component types:

- CMM Component Name: EnetIF
- MML Component Name: ENETIF

[Table 2-19](#) describes the configuration parameters that define an Ethernet interface. [Table B-2](#) serves as a form for you to plan the Ethernet interfaces on your Cisco MGC.

Table 2-19 Ethernet Interface Configuration Parameter Descriptions

MML Parameter Name	CMM Parameter Name	Default Value	Description
NAME	MML name	None	Unique name for this interface. Enter as many as 10 alphanumeric characters (or 20 alphanumeric characters for Release 7.4) and enclose in straight quotes. Hyphens (-) can be used.
CARD	Ethernet adapter	None	Identifies the card that supports this interface. Set this to the MML name of a card that has already been defined.
DESC	Description	None	Text description of this interface. Enter as many as 128 characters and enclose in straight quotes.

Planning TDM Interfaces for Media Gateway Communications

Each SS7 link in the MGC node must be associated with an interface component, which must be associated with a network card. The interface represents a physical network connection on the network card.



Note

In the MGC node, the same cards and interfaces can be used for communication with the Cisco SLTs and media gateways. When configured this way, separate links are assigned for the Cisco SLT and media gateway communications.

To provision a TDM interface for the ITK (T1/E1) or V.35 card, you must configure the following component types:

- CMM Component Name: TDMIf
- MML Component Name: TDMIF

[Table 2-20](#) lists and describes the configuration parameters that define the TDM interface. [Table B-23](#) serves as a form for you to plan a TDM interface.

Table 2-20 TDM Interface Configuration Parameter Descriptions

MML Parameter Name	CMM Parameter Name	Default Value	Description
NAME	MML name	None	Unique name for this link. Enter as many as 10 alphanumeric characters (or 20 alphanumeric characters for Release 7.4) and enclose in straight quotes. Hyphens (-) can be used.
CARD	Ethernet adapter	None	Identifies the card that supports this interface. Set this to the MML name of a card that has already been defined.
LIFNUM	Line interface number	None	Selects the line interface number. Choose 1 through 4 for V.35; otherwise, enter 1.
RESIST	Resistance	0	Selects the line resistance. Choose 75 or 120 for an ITK card; otherwise, enter 0.
DATARATE	Data rate	0	Selects the data rate for only the V.35 card. Choose 48, 56, or 64 (kbps).
CLOCK	Clock	INT	Selects the clock source for only the V.35 card. Choose EXT (external) or INT (internal).
DTEDCE	DTE or DCE	DTE	Selects the device type for only the V.35 card. Choose DTE (data terminal equipment) or DCE (data communications equipment).
CODING	Coding	B8ZS	Selects the line coding type on the link. Choose either AMI (alternate mark inversion) or B8ZS (bipolar with 8 zero substitution) for T1. Choose HDB3 (high-density bipolar with 3 zero replacement) for E1. Choose NA (not applicable) for V.35.
FORMAT	Format	ESF	Selects the link framing format. Choose ESF (extended superframe) or D4 (superframe) for T1. Choose CRC4 (cyclic redundancy check 4), CCS (common channel signaling), or NA (not applicable) for V.35.
SIGTYPE	Signal type	T1	Selects the type of signaling on the link. Choose T1 for ANSI (American National Standards Institute) or DS1 (digital signal level 1). Choose CEPT (Conference Europeenne des Postes et des Telecommunications) for E1. Choose V.35 for 64 kbps digital.
HDLC	Control	HDLC	Selects the HDLC (High-Level Data Link Control) for the ITU link layer protocol standard. Choose IHDLC (Inverted HDLC) for an ITK card; otherwise, choose HDLC.
DESC	Description	None	Text description of this link. Enter as many as 128 characters and enclose in straight quotes.

Planning IP Links

The last step in planning media gateway control links is the planning of the links themselves. You must identify each end of each link as follows:

- At the Cisco MGC end of each link, the link is associated with an Ethernet interface, an IP address, and an IP port.
- At the media gateway end of each link, the Cisco SLT is identified with an IP address and port.

To provision a media gateway IP link, you must configure the following component types:

- CMM Component Name: IPLink
- MML Component Name: IPLNK

Table 2-21 lists and describes the configuration parameters that define each link. Table B-9 serves as a form for planning a single IP link.

Table 2-21 IP-Link Configuration Parameter Descriptions

MML Parameter Name	CMM Parameter Name	Default Value	Description
NAME	MML name	None	Unique name for this link. Enter as many as 10 alphanumeric characters (or 20 alphanumeric characters for Release 7.4) and enclose in straight quotes. Hyphens (-) can be used.
IF	Enet line interface	None	Ethernet interface to which this link connects. Enter the MML name of a previously defined Ethernet interface.
DESC	Description	None	Text description of this link. Enter as many as 128 characters and enclose in straight quotes.
IPADDR	IP address	None	Cisco MGC IP address for interface. Enter the IP address variable defined in the XECfgParm.dat file during the installation of the Cisco MGC. Valid entries are: IP_Addr1, IP_Addr2, IP_Addr3, or IP_Addr4.
PEERADDR	Peer address	None	Remote IP address of link interface on media gateway.
PEERPORT	Peer port	None	Port number of link interface on remote device. Enter any valid IP port number greater than 1024. For MGCP and SGCP, 2427 is recommended.
PORT	Port	None	Local port number of link interface on the Cisco MGC. Enter any valid IP port number greater than 1024.
PRI	Priority	1	Priority. Enter an integer that is greater than 0.
SIGPORT	Signal port	0	Physical port on the gateway on the slot. Value range: 0 through 168. (Used only to support IPFAS.)
SIGSLOT	Signal slot	0	Physical slot on the gateway where the T1/E1 is plugged into. Value range: 0 through 63. (Used only to support IPFAS.)
SVC	IP signaling services	None	Signaling service this IP supports. Enter the MML name of a previously defined signal service.
SIGPORTSKIP		0	Signal port skip. The number of SIGPORT values to be skipped before using the next value. (Used only for NFAS signaling type.)

Table 2-21 IP-Link Configuration Parameter Descriptions (continued)

MML Parameter Name	CMM Parameter Name	Default Value	Description
NEXTHOP	Next hop	0.0.0.0	Router IP address where packets are to be sent for delivery to the PEERADDR that is not a subnet directly connected to the MGC. Typically the PEERADDR is on a subnet directly connected to the MGC. NEXTHOP can be specified in dot notation or using the DNS name. Optional parameter. (Used for Release 7.4(10).) Value range: 0.0.0.0 (default, disables the IP routing feature) through 223.255.255.255.
NETMASK	Net mask	255.255.255.255	The four-octet value defining the part of the PEERADDR (in dot notation) that is treated as the network address. The upper 28 bits are the network address and the lower 4 bits are the host address. Optional parameter. (Used for Release 7.4(10).) Value range: 128.0.0.0 through 255.255.255.255.

Provisioning Trunk Groups and Trunks

There are two different methods that can be used to provision trunk groups and trunks. Provisioning can be performed individually creating each trunk group and trunk by using MML commands. Or provisioning can be performed by importing a customer-created file.

Provisioning Trunk Groups and Trunks Using MML Commands

Provisioning trunk groups and trunks can be performed using MML commands. Examples of the provisioning MML commands are contained in this chapter. More extensive MML command examples are listed in [Chapter 6, “Adding System Components with MML.”](#)

When provisioning using MML commands, it is important to realize that the MML commands are used to add to existing components. Therefore, MML commands are very useful when modifying existing trunk groups and trunks. However, if you have to create large trunk group or trunk files, importing a file can greatly speed the provisioning effort.

Provisioning Trunk Groups and Trunks Using an Imported File

Importing a customer-created file is another way to provision trunk groups and trunks. The customer file can be created using CMM or a text editor. MML commands cannot be used to create the customer file. After the file is created, you must import it into the Cisco MGC. When importing this file, you can use either MML commands or the CMM.

When provisioning using an imported customer-created file, it is important to realize that the imported file overwrites the existing file. For example, if a customer-created trunk group file is imported, the existing trunk group file is overwritten.

Provisioning a Nailed Configuration

Adding Nailed Trunks

You need to add trunks for each connection between the MGW and a destination switch. These trunks can be either nailed or switched. For nailed trunks, the Cisco MGC does not perform switching of trunks. To create a nailed trunk, you can use an MML command to create a single trunk, use the CMM to create a trunk, or use the MML command to import a trunk file created using a text editor. To add multiple nailed trunks, refer to the [“Adding Multiple Nailed Trunks”](#) section on page 6-32.


Note

If you have already provisioned the spans on a network access server (NAS) that are to be associated with the trunks being added, remove the spans from service on the NAS using the shutdown command before provisioning trunks on the MGC.

The MML command format used to create one nailed trunk is:

```
prov-add:nailedtrnk:name="1910",srcsvc="ss7svc1",srctimeslot=101,dstsvc="nassrv1",
dstspan=3,dsttimeslot=1,spansize=1
```

[Table 2-22](#) lists the nailed trunk MML command parameter definitions and their associated values.

Table 2-22 Nailed Trunk Parameter Descriptions

MML Parameter Name	CMM Parameter Name	Description
NAME	Name	Trunk group ID. A numeric identifier for the trunk group. Value range: an integer from 1 through 65535.
SRCSVC	Source service	Used to look up the source service component ID. The MML name of a previously defined signaling service.
SRCSPAN	Source span ID	Corresponds to the source span ID. Value range: an integer from 1 through 65535 or ffff (default). This value is converted from decimal to hexadecimal, except when the value is ffff.
SRCTIMESLOT	Source time slot	Corresponds to the source time slot. Value range: an integer from 0 through 16384. This value is converted from decimal to hexadecimal, except when the value is ffff.
DSTSVC	Destination service name	Used to look up the destination service component ID. The MML name of a previously defined signaling service.
DSTSPAN	Destination span ID	Corresponds to the destination span ID. Value range: an integer from 1 through 65535 or ffff (default). This value is converted from decimal to hexadecimal, except when the value is ffff.
DSTTIMESLOT	Destination time slot	Corresponds to the destination time slot. Value range: an integer from 0 through 16384. This value is converted from decimal to hexadecimal, except when the value is ffff.
SPANSIZE	Span size	Span size. Indicates the number of trunks per span. Value: 1 (default) through 24 for T1, or 1 through 31 for E1.

The MML command format used to import a customer-created nailed trunk file is:

```
prov-add:files:name="BCFile",file="trunkCust.dat",action="import"
```

This imports the customer-created file that uses #format2. The imported file format would appear as:

```
TrunkSrcSrcSrcDestDestDest
ID cmp-idSpanTime slotcmp-idSpanTime slot
101 00130002ffff 6500140001 3 1
102 00130002ffff 66 00140001 3 2
```

The #format2 fields are Trunk ID, Source Service CompId, Source Span, Source Time slot, Destination Service CompId, Destination Span, and Destination Time slot.

Creating the Trunk Group

Before switched trunk groups and trunks can be created, the following two files need to be created:

- Trunk group file—Used to define the trunk group and the signal path controlling the trunk group
- Trunk file—Used to define the trunks (also called bearer channels) associated with a trunk group. The trunk file is a switched trunk.

This imports the customer-created bearer channel switched file using #format3.

Once these files are created, you can use the MML command to import a trunk group file created using a text editor. Create the trunk group file and bearer channel file using a text editor and then importing the files.

You can either use the MML commands, listed above, to import a trunk group file, or you can use the following MML command to populate a trunk group one line at a time.

Populating a Trunk Group File

After you create a trunk group file, you need to populate that file. Trunk group information is used to populate the trunkGroup file and spawns information for the Properties file and the SigPath file.

The MML command format used to create a trunk group row in the trunk group file is:

```
prov-add:trngrp:name="1910",clli="tg1910",svc="bh-path-33",type="TDM_PRI",
selseq="ASC",qable="N"
```

Table 2-23 lists the trunk group parameter definitions and their associated values.

Table 2-23 Trunk Group Parameter Descriptions

MML Parameter Name	CMM Parameter Name	Description
NAME	Name	Trunk group ID. A numeric identifier for the trunk group. An integer from 1 through 65535.
CLLI	CLLI	Common language location identifier that identifies the trunk group.
SVC	Signal service	The MML name of the signaling service associated with or controlling the trunk group.

Table 2-23 Trunk Group Parameter Descriptions (continued)

MML Parameter Name	CMM Parameter Name	Description
TYPE	Type	Identifies the trunk group type. Value range: 0 through 8. 0 = TDM_GEN—Used with SS7 signaling services with switch types not equal to 0, 5, or 20. 1 = TDM_ISUP (default)—Used with SS7 signaling services with switch types of 0 or 20. 2 = TDM_CAS—Currently not supported. 3 = TDM_TUP—Used with SS7 signaling services with switch type of 5. 4 = IP—Used with EISUP signaling service. 5 = ATM—Used with VSI path signaling service. 6 = TDM_DPNSS—Used with DPNSS protocol family signaling services 7 =TDM_ PRI—Used with ISDN PRI protocol family signaling services. 8 = TDM_BTNUP—Used with SS7 signaling services with switch type of 5.
SELSEQ	Selection sequence	Determines the trunk selection sequence. It is used to eliminate or reduce the chance of glare when selecting a trunk. Values: ASC = Ascending (default) DESC = Descending EASC = Even ascending, then odd ascending EDECS = Even descending, then odd descending LIDL = Least idle MIDL = Most idle OASC = Odd ascending, then even ascending ODESC = Odd descending, then even descending RDM = Random
QABLE	Queueable	Determines if queuing is used on the trunk during call processing. Value range: Y for yes or N for no (default).

In addition to the trunk group parameters listed in [Table 2-23](#), additional properties can be set or changed in the text file. To add multiple trunk groups, refer to the [“Adding Multiple Trunk Groups and Bearer Channels”](#) section on page 6-33. [Table 2-24](#) lists the trunk group property MML parameter definitions and their associated values.

Table 2-24 Trunk Group File Properties Descriptions

MML Parameter Name	CMM Parameter Name	Description
RingNoAnswer	RNA	Ring no answer. Indicates the time, in seconds, ringing is allowed to occur. Value range: 0 through 255, which is converted to milliseconds.
GLARE	Glare control	Glare control. Glare is a collision that occurs when two network nodes simultaneously attempt to reserve the same channel. Values are: 1 (always), 2 (even/odd), or 3 (never) (default).
CotPercentage	Cot percentage	Determines the percentage of calls on the trunk upon which a continuity test is performed. Value range: 0 through 100.

Table 2-24 Trunk Group File Properties Descriptions (continued)

MML Parameter Name	CMM Parameter Name	Description
VSF	VSF priority	Virtual switch fabric priority. Determines if the gateway attempts to find a trunk on the same gateway as the incoming trunk or on any available trunk. Values are 0 (no) (default) or 1 (yes).
SatelliteInd	Satellite	Satellite indicator. Indicates if the trunk is going over a satellite. Values are 0 (no) (default) or 1 (yes).
Npa	Npa	Numbering plan area. Indicates the NPA code associated with the incoming trunk group. Value range: 0 (none) (default), or 200 through 999.
CarrierIdentity		Carrier identity. Indicates the carrier ID to which users on this trunk group are associated. Value range: 0 (if not defined) or 1 through 9999.
ScreenFailAction		Screen fail action. Indicates if an action is to be performed when a screening failure occurs. Values are 0 (no action) (default) or 1 rejectCall.
CustGrpId		Customer group ID. The ID of the customer associated with this trunk group. Value range: 0 (if not defined) or any 4-character alphanumeric string.
BOrigStartIndex		B originating start index. Identifies the entry point into the originating side of the dial plan. Values are 0 (no dial plan) or 1 (for the first node in the originating digit tree).
BTermStartIndex		B terminating start index. Identifies the entry point into the terminating side of the dial plan. Values are 0 (no dial plan) or 2 (for the first node in the terminating digit tree).
CompressionType		Compression type. Identifies the G.711 compression type used on the trunk. After the fax or modem tone has been detected by the MGW, select the proper compression type. Values are 0 (none), 1 (mu-law) (default), or 2 (A-law).
EchoCanRequired		Echo cancellation. Indicates if echo cancellation is required. Values are 0 (no echo cancellor required) (default) or 1 (dynamic echo cancellor required). (Valid for Release 7.4 only.)
ExtCOT		External COT. Identifies the type of COT handling for the specified destination. Values: 0 (no COT), Loop (default), or Transponder. (Valid for Release 7.4.7(8) only.) Note This value is case sensitive.
DetectFaxModem Tone		Detect Fax Modem Tone. Used for MGCP connection protocol. Values are 0 (no tone detection notification) (default) or 1 (request fax or modem tone detection from the MGW).
CompressionType		Compression type. Identifies the G.711 compression type used on the trunk. After the fax or modem tone has been detected by the MGW, select the proper compression type. Values are: 0 (none), 1 (mu-law) (default), or 2 (A-law).
DetectFaxModem Tone		Detect Fax Modem Tone. Used for MGCP connection protocol. Values are 0 (no tone detection notification) (default) or 1 (request fax or modem tone detection from the MGW).
ACCRespCntlInhibit		Automatic congestion control response inhibit. Enables or disables the ACC control procedures based on the ACL value received by MGC from a linked switch. Values are: 0 (default) or 1.

Table 2-24 Trunk Group File Properties Descriptions (continued)

MML Parameter Name	CMM Parameter Name	Description
ACLDuration		Automatic congestion level duration. When MGC receives ACL indication from a linked switch, the MGC assumes ACL is in effect for the duration specified (in seconds). Value range: Any value greater than 0 (5 is the default).
AOCEnabled		Advice of charge (AOC). Determines whether or not AOC handling is applied to the current call. Values are: 0 (AOC not enabled) (default) or 1 (AOC enabled).
CarrierScreening		Carrier screening. Defines whether or not carrier screening and selection is to be applied on the current call (using the Carrier Translation table). Values are: 0 (do not apply screening) (default), or 1 (do apply screening).
IsupTransparencyDisabled		ISUP transparency disable function. Permits disabling the ISUP transparency feature for a specified trunk group. Values are: 0 (ISUP transparency enabled) (default), or 1 (ISUP transparency disabled).
MaxACL		Maximum automatic congestion level. The MGC indicates its congestion level (if it is greater than 0) in the ISUP release message. Values: 0, 2, or 3 (default).
OrigCarrierId		Originating carrier ID. Supports the Carrier Screening capability as handled in the protocol. This property supplies the CarrierID digit string for the trunk group that can be referenced to any CarrierID received in the incoming message. Value range is 0 through 99999 (00 is the default).

After you have populated the trunk group file, if you want to change any properties in that file, make the property changes using the text editor. Then use the MML add command to add the trunk group file and the bearer channel file, even though you have not made any changes to the bearer channel file.

The following is an example of a trunk group file #format3 text format:

```
#format3
1910 TG1910 bh-path-33 TDM_PRI N 180 2 100 ASC 0 0 501 0333 0 cujo 1 0 1 1
2744 TG2744 ss7-135033 TDM_ISUP N 180 2 0 ASC 0 0 502 0333 0 cujo 1 0 1 1
3913 TG3913 bh-pth-332 TDM_PRI N 180 2 100 ASC 0 0 503 0333 0 cujo 1 0 1 1
4714 TG4714 ss7-135033 TDM_ISUP N 180 2 0 ASC 0 0 504 0333 0 cujo 1 0 1 1
1910 TG1910 bh-path-34 TDM_PRI N 180 2 0 ASC 0 0 511 0333 0 cujo 1 0 1 1
```

Populating a Trunk File

After you have finished creating a trunk file, you need to populate that file. Trunk information is used to populate the trunk file. Create a trunk row entry in the trunk file using a text editor. Then use the MML command to import the trunk file (trunkCust.txt).

[Table 2-25](#) lists the trunk MML parameter definitions and their associated values.

Table 2-25 Trunk Parameter Descriptions

MML Parameter Name	CMM Parameter Name	Description
NAME	Trunk group member number	Identifies the trunk group member number. A numeric identifier for the trunk group member. An integer from 1 through 65535.
TRNKGRPNUM	Trunk group number	Identifies the trunk group number. Value range: an integer from 1 through 65535. Not used for ISDN.
SPAN	Span ID	Identifies the span. Value range: an integer from 1 through 65535 or ffff. (Not required for TDM.)
CIC	Circuit identifier code	Identifies the trunk time slot or circuit identification code. Value range: an integer from 1 through 65535.
CU	Coding unit	Identifies the coding unit MML name that was previously defined for the VISM card (this is the external node created for MGCP or SGCP).
ENDPOINT	End point	Text description of the trunk end point (typically a VISM card). Enter as many as 128 characters and enclose in straight quotes.
SPANSIZE	Span size	Span size. Indicates the number of trunks per span. Value range: 1 through 24 for T1, or 1 through 31 for E1.

The following is an example of a trunk file text format:

```
#format3
1910 191001 0 1 as5300-33 S0/DS1-0/1@as5300-33
1910 191002 0 2 as5300-33 S0/DS1-0/2@as5300-33
1910 191003 0 3 as5300-33 S0/DS1-0/3@as5300-33
1910 191004 0 4 as5300-33 S0/DS1-0/4@as5300-33
1910 191005 0 5 as5300-33 S0/DS1-0/5@as5300-33
```

Route Analysis

Routing analysis is necessary for you to identify the path for bearer traffic from the Cisco MGC to the adjacent switch.

Creating a Routing Trunk Group

You need to create a routing trunk group. You can use either the MML command to create a routing trunk group or use the CMM to import a routing file.

Provisioning a Routing Trunk Group Using MML Commands

Provisioning routing trunk groups can be performed using MML commands. Examples of the provisioning MML commands are contained in this chapter. More extensive MML command examples are listed in [Chapter 6, “Adding System Components with MML.”](#)

When provisioning using MML commands, it is important to realize that the MML commands are used to add to existing components. Therefore, MML commands are very useful when modifying existing a routing trunk groups. However, if you have to create large routing trunk group, importing a file can greatly speed the provisioning effort.

The MML command format used to create a row in the routing trunk group file is:

```
prov-add:rttrnkgrp:name="1910",type=7,reattempts=1,queuing=0,cutthrough=2
```

Table 2-26 lists the routing trunk group MML command parameter definitions and their associated values.

Table 2-26 Routing Trunk Group Parameter Descriptions

MML Parameter Name	CMM Parameter Name	Description
NAME	Name	Unique name for this routing trunk group number. Enter as many as 10 alphanumeric characters (or 20 alphanumeric characters for Release 7.4) and enclose in straight quotes. Hyphens (-) can be used.
TYPE	Type	Identifies the trunk group type. Value range: 0 through 8. 0 = TDM_GEN—Used with SS7 signaling services with switch types not equal to 0, 5, or 20. 1 = TDM_ISUP (default)—Used with SS7 signaling services with switch types of 0 or 20. 2 = TDM_CAS—Currently not supported. 3 = TDM_TUP—Used with SS7 signaling services with switch type of 5. 4 = IP—Used with EISUP signaling service. 5 = ATM—Used with VSI path signaling service 6 = TDM_DPNSS—Used with DPNSS protocol family signaling services 7 =TDM_PRI—Used with ISDN PRI protocol family signaling services. 8 = TDM_BTNUP—Used with SS7 signaling services with switch type of 5.
REATTEMPTS	Reattempts	Identifies the number of times the system reattempts to select a trunk group. Value range: 0 (default) through 65535.
QUEUING	Queuing	Identifies the duration (in seconds) the call will be queued. Value range: 0 (default) through 65535.
CUTTHROUGH	Cutthrough	Identifies the point in the call process where the trunk is seized from end point to end point. Value range: 0 (default) through 3. 1 – Seize 2 – ACM 3 – Answer It defaults to 0 if cutthrough is not defined.

Provisioning a Routing Trunk Group Using an Imported File

Importing a customer-created file is another way to provision routing trunk groups. The customer file can be created using CMM or a text editor. MML commands cannot be used to create the customer file. After the file is created, you must import it into the Cisco MGC. When importing this file, you can use either MML commands or the CMM.

When you are provisioning using an imported customer-created file, it is important to realize that the imported file overwrites the existing file. For example, if a customer-created routing trunk group file is imported, the existing routing trunk group file is overwritten.

After the routing trunk group file has been created, you need to associate a route with a trunk group.

Associating a Route with a Trunk Group

You need to create a route to connect to a trunk group. You can use either the MML commands to associate a route with a trunk group or use the CMM to import a routing file.

The MML command format used to create a row in the route trunk file is:

```
prov-add:rttrnk:name="rt1910",trnkgrpnum=501910
```

Table 2-27 lists the route trunk MML command parameter definitions.

Table 2-27 Route Trunk Parameter Descriptions

MML Parameter Name	CMM Parameter Name	Description
NAME	Name	Unique name for this routing trunk group. Enter as many as 10 alphanumeric characters (or 20 alphanumeric characters for Release 7.4) and enclose in straight quotes. Hyphens (-) can be used.
TRNKGRPNUM	Trunk group number	Identifies the trunk group number.
NEXTNAME	Next route	Identifies the next route name.

Each line entry in the route trunk file is one entry in the route list file.

Creating a Route List

After you have finished creating a route trunk, you need to create a route list. You can use either the MML command to create a route list, use the CMM, or import a routing file.

The MML command format used to create the route list is:

```
prov-add:rtlist:name="rtlist1910",rtname="rt1910",carrierid=333
```

Table 2-28 lists the route list MML command parameter definitions and their associated values.

Table 2-28 Route List Parameter Descriptions

MML Parameter Name	CMM Parameter Name	Description
LISTINDEX	List index	Indicates the index value. (Not used in Release 7.4.)
NAME	Name	Unique name for this route trunk. Enter as many as 10 alphanumeric characters (or 20 alphanumeric characters for Release 7.4) and enclose in straight quotes. Hyphens (-) can be used.
RTNAME	Route name	Used to look up the source service component ID.
CARRIERID	Carrier ID	Carrier identity. Indicates the carrier ID. The carrier ID must be the same for each route in the route list. Value range: 0 (if not defined) or 1 through 9999.
NEXTRTNAME		Next route name.

**Note**

What is called a route list in MML is called a route group in CMM.

An MML Example for Creating a Routing File

The following MML commands provide a sample routing file:

```
prov-add:rttrnkgrp:name="1910",type=7,reattempts=1,queuing=0,cutthrough=2
prov-add:rttrnkgrp:name="2744",type=1,reattempts=1,queuing=0,cutthrough=2
prov-add:rttrnkgrp:name="3913",type=7,reattempts=1,queuing=0,cutthrough=2
prov-add:rttrnkgrp:name="3914",type=1,reattempts=1,queuing=0,cutthrough=2
prov-add:rttrnk:name="rt1910",trnkgrpnum=1910
prov-add:rttrnk:name="rt2744",trnkgrpnum=2744
prov-add:rttrnk:name="rt3913",trnkgrpnum=3913
prov-add:rttrnk:name="rt3914",trnkgrpnum=3914
prov-add:rtlist:name="rtlist1910",rtname="rt1910",carrierid=333
prov-add:rtlist:name="rtlist2744",rtname="rt2744",carrierid=333
prov-add:rtlist:name="rtlist3913",rtname="rt3913",carrierid=333
prov-add:rtlist:name="rtlist3914",rtname="rt3914",carrierid=333
```

