

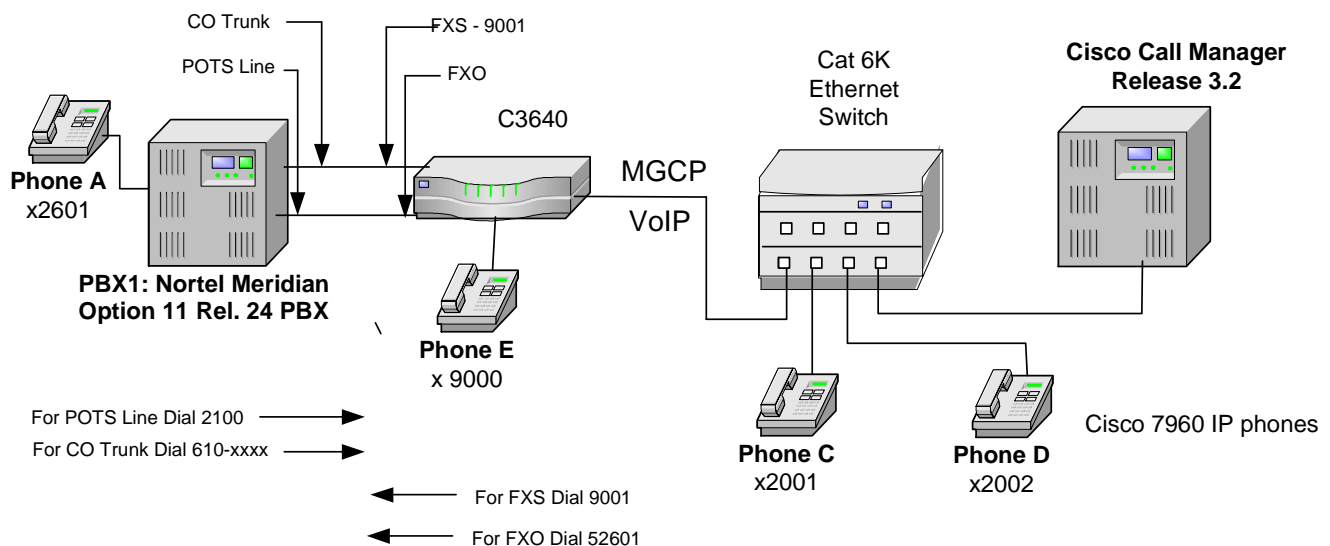
Cisco 3640 Router - PBX Interoperability: Nortel Meridian Option 11 Rel. 24 PBX with Analog FXS and FXO interfaces to an MGCP Gateway

Introduction

- This note describes interoperability of the Nortel Meridian Option 11 PBX with Cisco Call Manager using Cisco C3640 Analog FXS/FXO interfaces as an MGCP Gateway.
- The Network Topology diagram shows the test set-up for end-to-end interoperability between the Cisco Call Manager connected to the PBX via Cisco 3640 analog FXS and FXO voice ports linked as an MGCP gateway.
- Connectivity is achieved first by using the analog FXS loop start voice port on the MGCP gateway to a loop start CO Trunk port on the Nortel Meridian Option 11 PBX. Then by using the analog FXO loop start voice port on the MGCP gateway to a loop start phone line (POTS) port on a Nortel Meridian PBX.
- Loop Start is used because the gateway FXS port does not support Ground Start in MGCP mode and with the gateway FXO configuration the PBX POTS circuit does not support Ground Start.
- The FXO port connected to the PBX POTS line answers the call (goes off-hook) before the dialed phone is answered, which stops the PBX from forwarding a call if the target phone does not answer.

Network Topology

Basic Call Setup End-to-End Configuration



Limitations

- FXS Ground_Start Signaling.



- FXS Ground Start Signaling type is not supported on CCM MGCP Gateway configuration GUI.
- FXO Ground_Start Signaling.
 - FXS Ground Start Signaling type is not supported on a PBX POTS Line.
- FXO Loop_Start Signaling
 - The FXO gateway voice port goes off-hook on the first ring of an incoming seizure, before the targeted phone has answered. This disables the PBX from forwarding the incoming call on a ring-no-answer to voice-mail or other forward target. The PBX Analog extension does not support disconnect supervision which causes trunk hang issues and long ring-no answer times.

System Components

Hardware Requirements

- Cisco C3640 Gateway with analog FXS & FXO Ports
- Cisco Cat6K switch
- Cisco Call Manager 3.2
- Nortel Meridian Option 11 Release 24 PBX.

Software Requirements

- Cisco IOS Software Release
 - IOS software releases “c3640-js-mz.122-2.XN”.
 - PBX Software Option 11 Release 24
 - Cisco Call Manager 3.2
- PBX Software Release
- Cisco CallManager Release

Configuration

Configuring the Nortel Meridian Option 11 Rel. 24 PBX

```
CO Trunk Configuration
>ld 20
PT0000
MARP NOT ACTIVATED

REQ: prtTYPE: tnbTN 10 01DATE PAGE DES
TN 010 0 00 01
TYPE COT
CDEN 8D
CUST 0
XTRK XUT
TIMP 600
BIMP 3COM
TRK ANLG
NCOS 0
RTMB 10 2
ATDN 2601
SIGL LOP
SUPN NO
AST NO
IAPG 0
CLS UNR DTN CND WTA LPR APN THFD
P10 NTC LOL
TKID
DATE 19 MAY 2002
```



```
NACT ****
>
OVL000
>ld 21PT1000

REQ: prtTYPE: rdbCUST 0ROUT 10
TYPE RDB
CUST 00
DMOD
ROUT 10
DES ANALOG_LOOP_COT
TKTP COT
PRIV NO
SAT NO
RCLS EXT
DTRK NO
ISDN NO
PTYP ACO
AUTO YES
ICOG IAO
RANX NO
SRCH LIN
TRMB YES
STEP
ACOD 610
CPP NO
TARG 01
CLEN 1
BILN NO
OABS
TIMR ICF 512
      OGF 512
      EOD 13952
      DSI 34944
      NRD 10112
      DDL 70
      ODT 4096
      RGV 640
      FLH 510
      GRD 896
      SFB 3
      CRD 512
      TFD 0
      LEXT 100
SST 3 0
NEDC ETH
FEDC ORG
CPDC NO
SPCT IMM
HOLD 02 02 40
SEIZ 02 02
RGFL 02 02
RVSD 08 31
ILLR 02 02
DRNG NO
CDR NO
MUS NO
MR NO
MANO NO
EQAR NO
OHQ NO
OHQT 00
TTBL 0
OHTD NO
PLEV 2
MCTS NO
ALRM NO
ART 0
SGRP 0
```



PAGE 002

AACR NO

REQ: ****

>

OVL000

>

ld 10
PBX000
MARP NOT ACTIVATED

MEM AVAIL: (U/P): 1275886 USED U P: 104457 94216 TOT: 1474559
DISK RECS AVAIL: 478
TNS AVAIL: 73 USED: 127 TOT: 200
ACD AGENTS AVAIL: 300 USED: 0 TOT: 300
ANALOGUE TELEPHONES AVAIL: 2498 USED: 2 TOT: 2500
AST AVAIL: 100 USED: 0 TOT: 100
WIRELESS TELEPHONES AVAIL: 2500 USED: 0 TOT: 2500

REQ: prt
TYPE: 500
MARP NOT ACTIVATED

TN 02
CDEN CUST TEN DATE PAGE DES
DES TEST1
TN 002 0 00 00
TYPE 500
CDEN 4D
CUST 0
WRLS NO
DN 2100 0 MARP
CPND
 NAME Nortel 500Phone 1
 XPLN 27
 DISPLAY_FMT FIRST, LAST
AST NO
IAPG 0
HUNT
TGAR 0
LDN NO
NCOS 0
SGRP 0
RNPG 0
XLST
SCI 0
CLS CTD DTN FBD XFD WTA THFD FND HTD ONS
 LPR XRD CWD SWD MWD RMMD SMWD LPD XHD CCSD LND TVD
 CFTD SFD MRD C6D CNID CLBD AUTU
 ICDD CDMD LLCN EHTD MCTD
 GPUD DPUD CFXD ARHD OVDD AGTD CLTD LDTD ASCD
 MBXD CPFA CPTA DDGA NAMA
 MCRD
 EXR0 SHL ABDD CFHD DNDY DNO3
 CWND USMD USRD BNRD RTDD RBDD RBHD FAXD CNUD CNAD PGND FTTC
PLEV 02
AACS NO
MLWU_LANG 0
DATE 5 SEP 2000



```
DES TEST2
TN 002 0 00 01
TYPE 500
CDEN 4D
CUST 0
WRLS NO
DN 2101 0 MARP
CPND
    NAME Nortel 500Phone 2
    XPLN 27
    DISPLAY_FMT FIRST, LAST
AST NO
IAPG 0
HUNT
TGAR 0
LDN NO
NCOS 0
SGRP 0
RNPG 0
XLST
SCI 0
CLS CTD DTN FBD XFD WTA THFD FND HTD ONS
    LPR XRD CWD SWD MWD RMMD SMWD LPD XHD CCSD LND TVD
    CFTD SFD MRD C6D CNID CLBD AUTU
    ICDD CDMD LLCN EHTD MCTD
    GPUD DPUD CFXD ARHD OVDD AGTD CLTD LDTD ASCD
    MBXD CPFA CPTA DDGA NAMA
    MCRD
    EXR0 SHL ABDD CFHD DNDY DNO3
    CWND USMD USRD BNRD RTDD RBDD RBHD FAXD CNUD CNAD PGND FTTC
PLEV 02
AACS NO
MLWU_LANG 0
DATE 5 SEP 2000

NACT
```



Configuring Cisco CallManager

Cisco CallManager 3.2 Administration - MGCP Configuration - Microsoft Internet Explorer

File Edit View Favorites Tools Help

Back Forward Stop Home Search Favorites History Address -4059-A053-C8D87C97DA0F Go Links

Cisco CallManager Administration

For Cisco IP Telephony Solutions

MGCP Configuration

[Back to Find/List Gateways](#)

Product: Cisco 364X
MGCP : MGCP_3640

Status: Ready

Update Delete Reset Gateway Cancel Changes

MGCP Domain Name* MGCP_3640

Description MGCP_3640 Gateway

Cisco CallManager Group* Default

Installed Voice Interface Cards		Endpoint Identifiers	
Module in Slot 0	< None >		
Module in Slot 1	NM-HDV		
	Sub-Unit 0	VVIC-2MFT-E1	(1/0) ESPP (1/1)
Module in Slot 2	NM-2V		
	Sub-Unit 0	VIC-2FXS	(2/0/0) POTS (2/0/1) POTS
	Sub-Unit 1	VIC-2FXO	(2/1/0) TS (2/1/1) TS
Module in Slot 3	NM-HDV		
	Sub-Unit 0	VVIC-2MFT-T1	(3/0) TSPP (3/1)

Product Specific Configuration

Global ISDN Switch Type NI2

Switchback Timing* Graceful

Switchback uptime-delay (min) 10

Local intranet



Cisco CallManager 3.2 Administration - Gateway Configuration - Microsoft Internet Explorer

File Edit View Favorites Tools Help

Address: 53-C8D87C97DA0F}&Port=1

System Route Plan Service Feature Device User Application Help

Cisco CallManager Administration

For Cisco IP Telephony Solutions

CISCO SYSTEMS

Gateway Configuration

[Back to MGCP Configuration](#)
[Back to Find/List Gateways](#)

Slot 2/ Sub-Unit 0
POTS 2/0/0 9000
POTS 2/0/1 9001

Slot 2/ Sub-Unit 1
LS 2/1/0
LS 2/1/1

Product : Cisco 364X
Gateway : AALN/S2/SU0/0@MGCP_3640
Registration: Registered with Cisco CallManager 10.1.1.2
IP Address: 10.1.1.230

Status: Ready

Gateway Information

Description	AALN/S2/SU0/0@MGCP_3640
Device Pool*	Default
Calling Search Space	< None >
Media Resource Group List	< None >
Network Hold Audio Source	< None >
User Hold Audio Source	< None >
Location	< None >
Network Locale	United States

Port Information

Prefix DN	
Num Digits*	4
Expected Digits*	4

Done Local intranet



FXO Port Configuration

Cisco CallManager 3.2 Administration - Gateway Configuration - Microsoft Internet Explorer

File Edit View Favorites Tools Help

Back Forward Stop Home Search Favorites History Address [97DA0F}&Type=18&Trunk=2](#) Go Links

System Route Plan Service Feature Device User Application Help

Cisco CallManager Administration
For Cisco IP Telephony Solutions

CISCO SYSTEMS

Gateway Configuration

[Back to MGCP Configuration](#)
[Back to Find/List Gateways](#)

Slot 2/ Sub-Unit 0
POTS 2/0/0 [9000](#)
POTS 2/0/1 [9001](#)

Slot 2/ Sub-Unit 1
LS 2/1/0
LS 2/1/1

Product : Cisco 364X
Gateway : AALN/S2/SU1/0@MGCP_3640
Registration: Registered with Cisco CallManager 10.1.1.2
IP Address: 10.1.1.230

Status: Ready

Gateway Information

Description	AALN/S2/SU1/0@MGCP_3640
Device Pool*	Default
Calling Search Space	< None >
Media Resource Group List	< None >
Network Hold Audio Source	< None >
User Hold Audio Source	< None >
Location	< None >
Network Locale	United States

Port Information



Route Pattern Configuration

Cisco CallManager 3.2 Administration - Route Pattern Configuration - Microsoft Internet Explorer

File Edit View Favorites Tools Help

Back Forward Stop Home Search Favorites History Address 4-47BE-8491-B0F211090F29 Go Links

Cisco CallManager Administration
For Cisco IP Telephony Solutions

Route Pattern Configuration

[Add a New Route Pattern](#)
[Back to Find/List Route Patterns](#)

Route Pattern: 5.XXXX

Status: Ready
Note: Any update to this route pattern automatically resets the associated gateway/route list

Copy Update Delete Cancel Changes

Pattern Definition

Route Pattern* 5.XXXX

Partition < None >

Numbering Plan* North American Numbering Plan

Route Filter < None >

Gateway/Route List* AALN/S2/SU1/0@MGCP_3640 (Edit)

Route Option
 Route this pattern Block this pattern

Provide Outside Dial Tone Urgent Priority

Calling Party Transformations

Use Calling Party's External Phone Number Mask

Calling Party Transform Mask

Prefix Digits (Outgoing Calls)

Called Party Transformations

Discard Digits PreDot

Called Party Transform Mask

Prefix Digits (Outgoing Calls)

Done Local intranet



Cisco C3640 Router Configuration

```
MGCP_3640#show ver
Cisco Internetwork Operating System Software
IOS (tm) 3600 Software (C3640-JS-M), Version 12.2(2)XN, EARLY DEPLOYMENT RELEASE
SOFTWARE (fc2)
TAC Support: http://www.cisco.com/tac
Copyright (c) 1986-2002 by cisco Systems, Inc.
Compiled Sat 02-Mar-02 17:12 by eaarmas
Image text-base: 0x600089A8, data-base: 0x61668000

ROM: System Bootstrap, Version 11.1(19)AA, EARLY DEPLOYMENT RELEASE SOFTWARE (fc1)
ROM: 3600 Software (C3640-JS-M), Version 12.2(2)XN, EARLY DEPLOYMENT RELEASE SOF
TWARE (fc2)

MGCP_3640 uptime is 10 minutes
System returned to ROM by power-on
System image file is "flash:c3640-js-mz.122-2.XN"

cisco 3640 (R4700) processor (revision 0x00) with 58368K/7168K bytes of memory.
Processor board ID 10620494
R4700 CPU at 100Mhz, Implementation 33, Rev 1.0
Channelized E1, Version 1.0.
Bridging software.
X.25 software, Version 3.0.0.
SuperLAT software (copyright 1990 by Meridian Technology Corp).
TN3270 Emulation software.
Primary Rate ISDN software, Version 1.1.
2 Ethernet/IEEE 802.3 interface(s)
55 Serial network interface(s)
2 Channelized E1/PRI port(s)
2 Channelized T1/PRI port(s)
2 Voice FXO interface(s)
2 Voice FXS interface(s)
DRAM configuration is 64 bits wide with parity disabled.
125K bytes of non-volatile configuration memory.
16384K bytes of processor board System flash (Read/Write)
16384K bytes of processor board PCMCIA Slot0 flash (Read/Write)
20480K bytes of processor board PCMCIA Slot1 flash (Read/Write)

Configuration register is 0x2102

MGCP_3640#show running
Building configuration...

Current configuration : 2546 bytes
version 12.2
no parser cache
no service single-slot-reload-enable
service timestamps debug uptime
service timestamps log uptime
no service password-encryption
no service dhcp
!
hostname MGCP_3640
!
logging rate-limit console 10 except errors

voice-card 1
!
voice-card 3
!
ip subnet-zero
!
no ip domain-lookup
!
no ip dhcp-client network-discovery
mgcp
mgcp call-agent 10.1.1.2 2427 service-type mgcp version 0.1
mgcp dtmf-relay voip codec all mode out-of-band
mgcp rtp unreachable timeout 1000 action notify
```



```
mgcp modem passthrough voip mode cisco
mgcp sdp simple
mgcp package-capability rtp-package
mgcp package-capability sst-package
no mgcp timer receive-rtcp
no mgcp explicit hookstate
isdn switch-type primary-ni
call rsvp-sync
!
ccm-manager mgcp
ccm-manager music-on-hold
ccm-manager config server 10.1.1.2
ccm-manager config
!
controller E1 1/0
  framing NO-CRC4
  pri-group timeslots 1-31 service mgcp
!
controller E1 1/1
!
controller T1 3/0
  framing esf
  linecode b8zs
  cablelength short 133
  pri-group timeslots 1-24 service mgcp
!
controller T1 3/1
  framing sf
  linecode ami
!
interface Ethernet0/0
  ip address 10.1.1.230 255.255.255.0
  half-duplex
!
interface Ethernet0/1
  no ip address
  shutdown
  half-duplex
!
interface Serial1/0:15
  no ip address
  no logging event link-status
  isdn switch-type primary-net5
  isdn protocol-emulate network
  isdn incoming-voice voice
  isdn bind-13 ccm-manager
  no cdp enable
!
interface Serial3/0:23
  no ip address
  no logging event link-status
  isdn switch-type primary-dms100
  isdn incoming-voice voice
  isdn bind-13 ccm-manager
  no cdp enable
!
ip classless
no ip http server
!
snmp-server manager
!
voice-port 2/0/0
!
voice-port 2/0/1
!
voice-port 2/1/0
  timing hookflash-out 50
!
voice-port 2/1/1
  timing hookflash-out 50
```



```
!  
dial-peer cor custom  
!  
dial-peer voice 201 pots  
  application mgcpapp  
  port 2/0/1  
!  
dial-peer voice 200 pots  
  application mgcpapp  
  port 2/0/0  
!  
dial-peer voice 210 pots  
  application mgcpapp  
  port 2/1/0  
!  
dial-peer voice 999200 pots  
  application mgcpapp  
  port 2/0/0  
!  
dial-peer voice 999201 pots  
  application mgcpapp  
  port 2/0/1  
!  
dial-peer voice 999210 pots  
  application mgcpapp  
  port 2/1/0  
!  
dial-peer voice 999211 pots  
  application mgcpapp  
  port 2/1/1  
!  
line con 0  
line aux 0  
line vty 0 4  
  login  
!  
end
```

Important Information

THE SPECIFICATIONS AND INFORMATION REGARDING THE PRODUCTS IN THIS MANUAL ARE SUBJECT TO CHANGE WITHOUT NOTICE. ALL STATEMENTS, INFORMATION, AND RECOMMENDATIONS IN THIS MANUAL ARE BELIEVED TO BE ACCURATE BUT ARE PRESENTED WITHOUT WARRANTY OF ANY KIND, EXPRESS OR IMPLIED. USERS MUST TAKE FULL RESPONSIBILITY FOR THEIR APPLICATION OF ANY PRODUCTS.

IN NO EVENT SHALL CISCO OR ITS SUPPLIERS BE LIABLE FOR ANY INDIRECT, SPECIAL, CONSEQUENTIAL, OR INCIDENTAL DAMAGES, INCLUDING, WITHOUT LIMITATION, LOST PROFITS OR LOSS OR DAMAGE TO DATA ARISING OUT OF THE USE OR INABILITY TO USE THIS MANUAL, EVEN IF CISCO OR ITS SUPPLIERS HAVE BEEN ADVISED OF THE POSSIBILITY OF SUCH DAMAGES.



**Corporate Headquarters**

Cisco Systems, Inc.
170 West Tasman Drive
San Jose, CA 95134-1706
USA
www.cisco.com
Tel: 408 526-4000
800 553-NETS (6387)
Fax: 408 526-4100

European Headquarters

Cisco Systems International
BV
Haarlerbergpark
Haarlerbergweg 13-19
1101 CH Amsterdam
The Netherlands
www-europe.cisco.com
Tel: 31 0 20 357 1000
Fax: 31 0 20 357 1100

Americas Headquarters

Cisco Systems, Inc.
170 West Tasman Drive
San Jose, CA 95134-1706
USA
www.cisco.com
Tel: 408 526-7660
Fax: 408 527-0883

Asia Pacific Headquarters

Cisco Systems, Inc.
Capital Tower
168 Robinson Road
#22-01 to #29-01
Singapore 068912
www.cisco.com
Tel: +65 317 7777
Fax: +65 317 7799

Cisco Systems has more than 200 offices in the following countries and regions. Addresses, phone numbers, and fax numbers are listed on the Cisco Web site at www.cisco.com/go/offices.

Argentina • Australia • Austria • Belgium • Brazil • Bulgaria • Canada • Chile • China PRC • Colombia • Costa Rica • Croatia • Czech Republic • Denmark • Dubai, UAE • Finland • France • Germany • Greece • Hong Kong SAR • Hungary • India • Indonesia • Ireland • Israel • Italy • Japan • Korea • Luxembourg • Malaysia • Mexico • The Netherlands • New Zealand • Norway • Peru • Philippines • Poland • Portugal • Puerto Rico • Romania • Russia • Saudi Arabia • Scotland • Singapore • Slovakia • Slovenia • South Africa • Spain • Sweden • Switzerland • Taiwan • Thailand • Turkey • Ukraine • United Kingdom • United States • Venezuela • Vietnam • Zimbabwe

Copyright 2003 Cisco Systems, Inc. All rights reserved. Cisco, Cisco Systems, and the Cisco Systems logo are registered trademarks or trademarks of Cisco Systems, Inc. and/or its affiliates in the U.S. and certain other countries. All other trademarks mentioned in this document or Web site are the property of their respective owners. The use of the word partner does not imply a partnership relationship between Cisco and any other company. (0301R)