



Cisco Desktop Collaboration Experience DX650 wall-mount kit

To mount the Cisco Desktop Collaboration Experience DX650 phone on the wall, use the special brackets that are available in a Cisco Desktop Collaboration Experience wall-mount kit. Wall-mount kits must be ordered separately from the phone.

- [Before you begin, page 1](#)
- [Wall-mount components, page 2](#)
- [Install bracket, page 2](#)

Before you begin

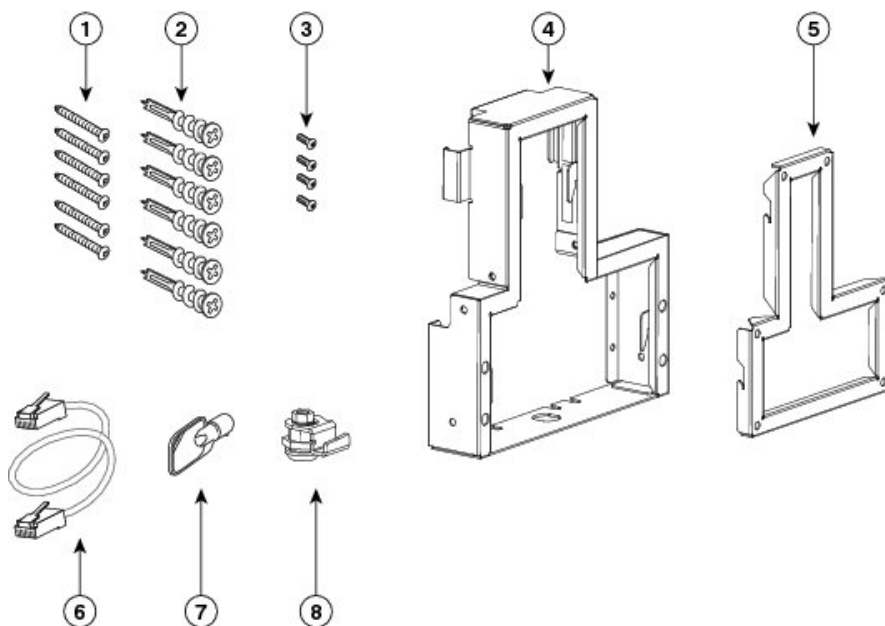
You need these tools to install the bracket:

- No. 1 and No. 2 Phillips screwdrivers
- Level

You must also install an Ethernet jack for the telephone in the desired location if an Ethernet jack does not currently exist. This jack must be wired for an Ethernet connection. You cannot use a regular telephone jack. For more information about phone installation requirements and warnings, see [Cisco Desktop Collaboration Experience installation](#).

Wall-mount components

Figure 1: Wall-mount kit for single-phone assembly



930115

1	Six 8-18 x 1.25 inch Phillips-head screws	5	One wall bracket
2	Six anchors	6	One 6-inch Ethernet cable
3	Four 3 x 6mm machine screws	7	One lock-down key
4	One phone bracket	8	One lock



Note

The hardware that is included in this wall-mount kit is for drywall installation. For installation onto other surfaces, such as brick or concrete, you must provide your own hardware.

Install bracket

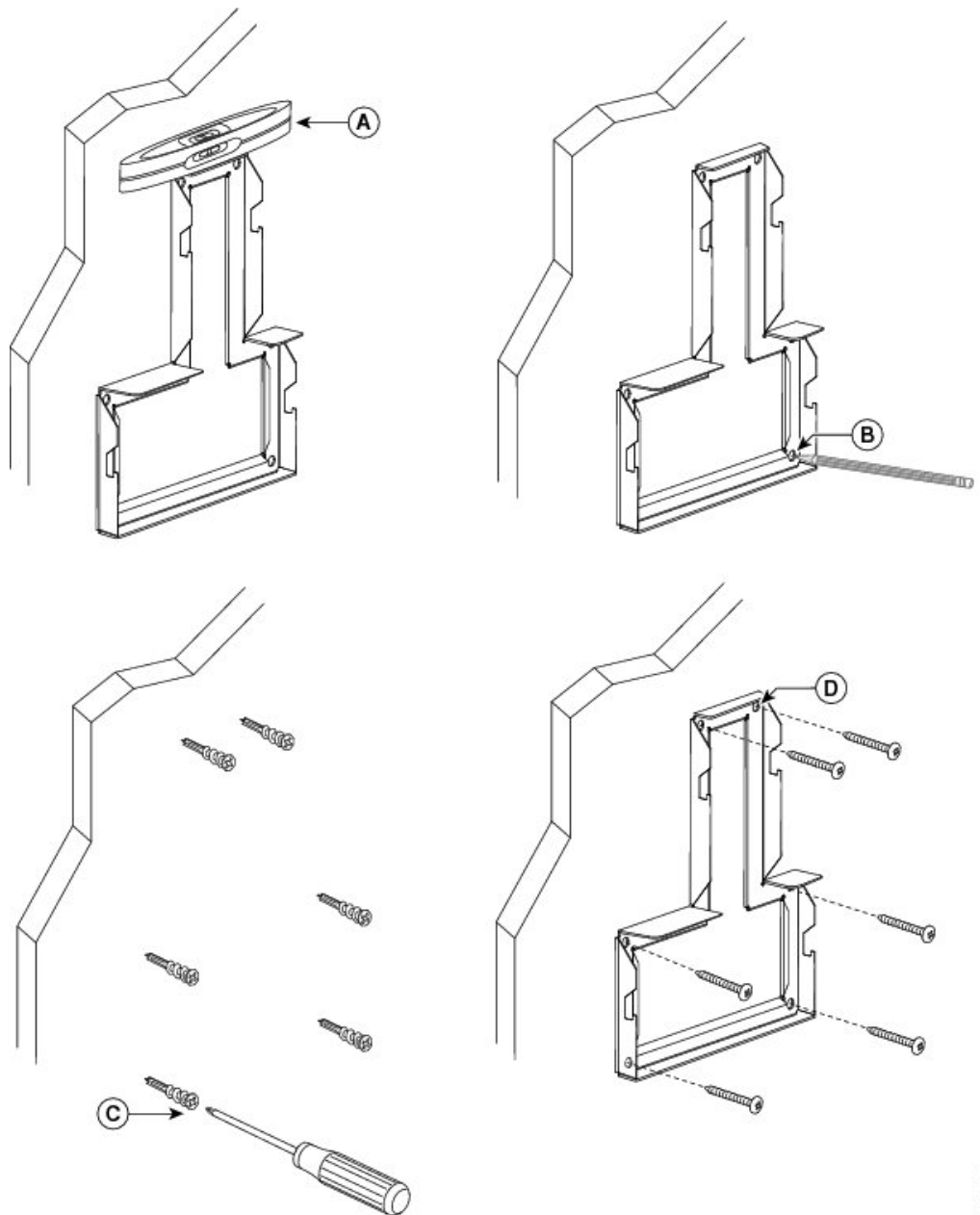
Follow this procedure to install the phone on the wall.

Procedure

- Step 1** Mount the wall bracket in the desired location. You can install the bracket over an Ethernet jack, or you can run the Ethernet network cable to a nearby jack.

- a) Use the level to ensure that the bracket is level, then use a pencil to mark the screw holes.
- b) Carefully center the anchor over the pencil mark and use a no. 2 Phillips screwdriver to press the anchor into the wall.
- c) Screw the anchor clockwise into the wall until the anchor is seated flush.
- d) Use the included screws and a no. 2 Phillips screwdriver to attach the bracket to the wall.

Figure 2: Mount wall bracket

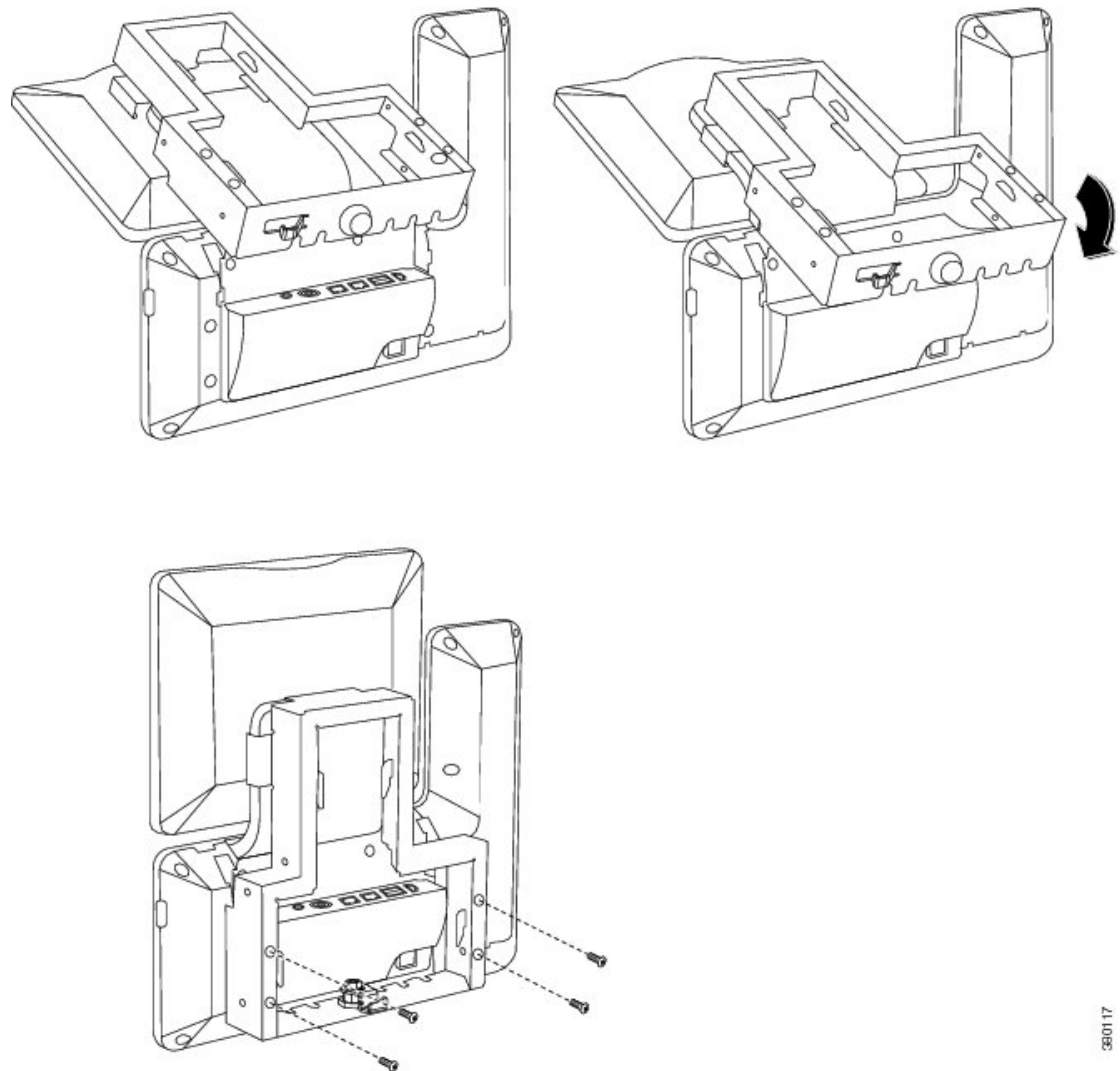


Step 2 Attach the phone bracket to the phone.

380116

- a) Detach the handset cord (and headset cord, if any), power cord, and any other attached cords from the base of the phone.
- b) Slide the phone bracket onto the phone. Make sure the phone ports are accessible through the holes in the bracket.
- c) Secure the phone bracket to the IP phone with the machine screws.
- d) Thread the handset cord (and headset cord, if any). Reattach the cords and seat them in the clips that are incorporated into the phone body.

Figure 3: Attach phone bracket

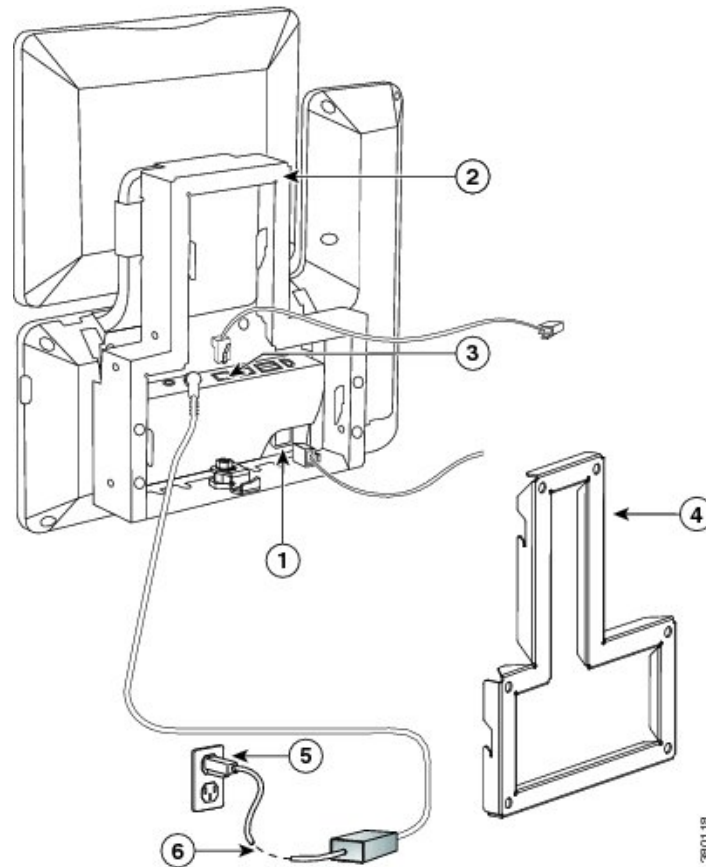


- Step 3** Attach the Ethernet cable to the 10/100/1000 SW network port and wall jack. If you are connecting a network device (such as a computer) to the phone, attach the cable to the 10/100/1000 computer (PC access) port.

380117

If you are using an external power supply, plug the power cord into the phone.

Figure 4: Attach cables

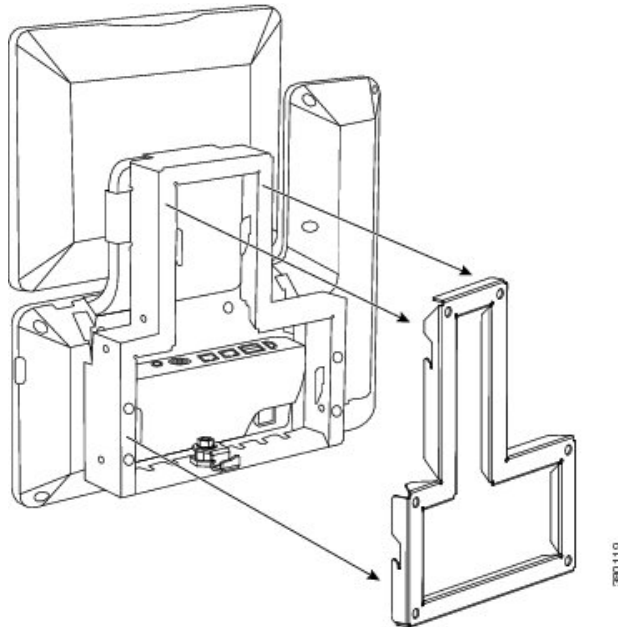


1	Handset port	4	Wall bracket
2	Phone bracket	5	AC adapter port
3	Network port	6	Power cable

Step 4 To attach the phone to the wall bracket, insert the tabs on the top of the phone bracket into the slots on the wall bracket. Ensure that the power cord and any other cable that does not terminate in the wall behind the

bracket are positioned in one of the cable-access openings in the bottom of the bracket. The phone and wall bracket openings together form circular openings with room for one cable per opening.

Figure 5: Attach phone to wall bracket



- Step 5** Use the lock-down key to lock the phone to the wall bracket. You can store the lock-down key on the key hook at the bottom of the phone bracket.

Figure 6: Phone bracket with key hook

