



## Installing the Cisco ATA

---

This section provides instructions for installing the Cisco ATA 186 and Cisco ATA 188. Before you perform the installation, be sure you have met the following prerequisites:

- Planned the network and Cisco ATA configuration.
- Installed the Ethernet connection.
- Installed and configured the other network devices.

This section contains the following topics:

- [Safety Recommendations, page 2-1](#)
- [What the Cisco ATA Package Includes, page 2-2](#)
- [What You Need, page 2-2](#)
- [Installation Procedure, page 2-3](#)
- [Power-Down Procedure, page 2-5](#)



### Note

---

The term *Cisco ATA* is used throughout this manual to refer to both the Cisco ATA 186 and the Cisco ATA 188, unless differences between the Cisco ATA 186 and Cisco ATA 188 are explicitly stated.

---

## Safety Recommendations

To ensure general safety, follow these guidelines:

- Do not get this product wet or pour liquids into this device.
- Do not open or disassemble this product.
- Do not perform any action that creates a potential hazard to people or makes the equipment unsafe.
- Use only the power supply that comes with the Cisco ATA.



### Warning

---

**Ultimate disposal of this product should be handled according to all national laws and regulations.**

---



### Warning

---

**Read the installation instructions before you connect the system to its power source.**

---

**Warning**


---

**The plug-socket combination must be accessible at all times because it serves as the main disconnecting device.**

---

**Warning**


---

**Do not work on the system or connect or disconnect cables during periods of lightning activity.**

---

**Warning**


---

**This equipment contains a ring signal generator (ringer), which is a source of hazardous voltage. Do not touch the RJ-11 (phone) port wires (conductors), the conductors of a cable connected to the RJ-11 port, or the associated circuit-board when the ringer is active. The ringer is activated by an incoming call.**

---

For translated warnings, see the *Regulatory Compliance and Safety Information for the Cisco ATA 186 and Cisco ATA 188* manual.

## What the Cisco ATA Package Includes

The Cisco ATA package contains the following items:

- Cisco ATA 186 or Cisco ATA 188 Analog Telephone Adaptor
- *Read Me First - ATA Boot Load Information*
- *Cisco ATA 186 and Cisco ATA 188 Analog Telephone Adaptor at a Glance*
- Regulatory Compliance and Safety Information for the Cisco ATA 186 and Cisco ATA 188
- 5V power adaptor
- Power cord

**Note**


---

The Cisco ATA is intended for use only with the 5V DC power adaptor that comes with the unit.

---

## What You Need

You also need the following items:

- Category-3 10BASE-T or 100BASE-T or better Ethernet cable. One cable is needed for each Ethernet connection.

A Category-3 Ethernet cable supports 10BASE-T for up to 100 meters without quality degradation, and a Category-3 Ethernet cable supports 100BASE-T for up to 10 meters without quality degradation.

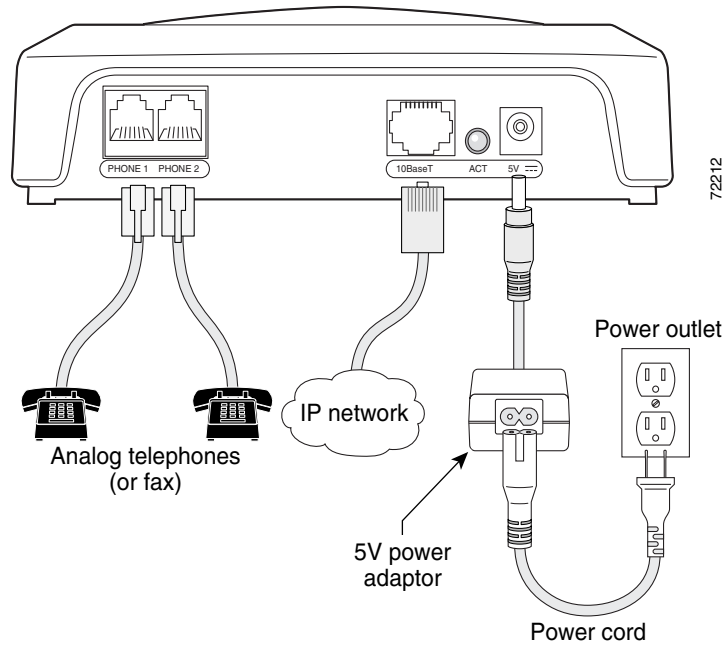
For uplink connections, use a crossover Ethernet cable to connect the Cisco ATA to another Ethernet device (such as a router or PC) without using a hub. Otherwise, use straight-through Ethernet cables for both uplink and data port connections.

- Access to an IP network
- One or two analog Touch-Tone telephones or fax machines, or one of each

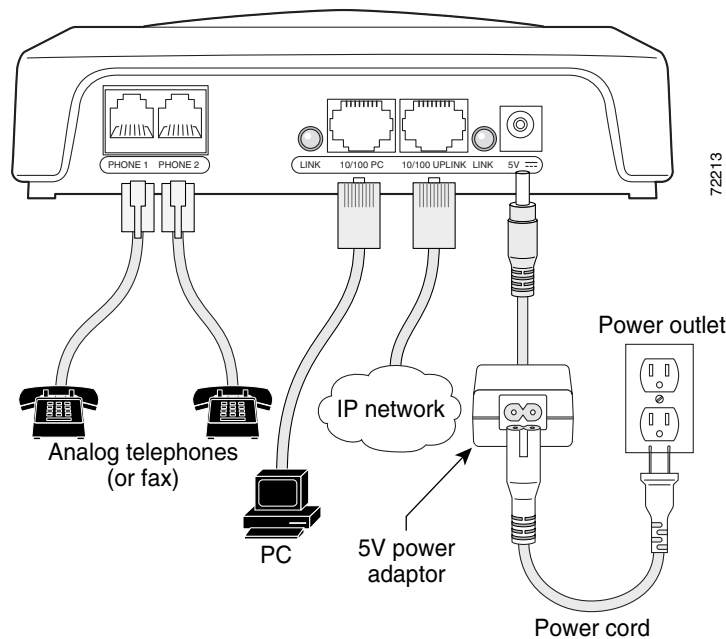
# Installation Procedure

After the equipment is in place, see [Figure 2-1](#) (for Cisco ATA 186) or [Figure 2-2](#) (for Cisco ATA 188) and follow the next procedure to install the Cisco ATA.

**Figure 2-1 Cisco ATA 186 Rear Panel Connections**



**Figure 2-2 Cisco ATA 188 Rear Panel Connections**



## Procedure

**Step 1** Place the Cisco ATA near an electrical power outlet.

**Step 2** Connect one end of a telephone line cord to the **Phone 1** input on the rear panel of the Cisco ATA. Connect the other end to an analog telephone set.

If you are connecting a telephone set that was previously connected to an active telephone line, unplug the telephone line cord from the wall jack and plug it into the **Phone 1** input.



### Warning

**To reduce the risk of fire, use only No. 26 AWG or larger telecommunication line cord.**



### Caution

Do not connect the **Phone** input ports to a telephone wall jack. To avoid damaging the Cisco ATA or telephone wiring in the building, do not connect the Cisco ATA to the telecommunications network. Connect the **Phone** port to a telephone only, never to a telephone wall jack.



### Note

The telephone must be switched to tone setting (not pulse) for the Cisco ATA to operate properly.

**Step 3** (Optional) Connect the telephone line cord of a second telephone to the **Phone 2** input port.

If you are connecting only one telephone to the Cisco ATA, you must use the **Phone 1** input port.

**Step 4** Connect an Ethernet cable to the uplink RJ-45 connector on the Cisco ATA. For the Cisco ATA 186, this is the 10BASE-T connector; for the Cisco ATA 188, this is the 10/100UPLINK connector.

Use a crossover Ethernet cable to connect the Cisco ATA to another Ethernet device (such as a router or PC) without using a hub. Otherwise, use a straight-through Ethernet cable.

**Step 5** (Cisco ATA 188 only—optional) Connect a straight-through Ethernet cable from your PC to the 10/100 PC RJ-45 connector on the Cisco ATA.

**Step 6** Connect the socket end of the power cord to the Cisco-supplied 5V DC power adaptor.

**Step 7** Insert the power adaptor cable into the power connector on the Cisco ATA.



### Caution

Use only the Cisco-supplied power adaptor.



### Warning

**This product relies on the building's installation for short-circuit (overcurrent) protection. Ensure that a fuse or circuit breaker no larger than 120 VAC, 15A U.S. (240VAC, 10A international) is used on the phase conductors (all current-carrying conductors).**

**Step 8** Connect the plug end of the 5V DC power adaptor cord into an electrical power outlet.

When the Cisco ATA is properly connected and powered up, the green activity LED flashes to indicate network activity. This LED is labeled **ACT** on the rear panel of the Cisco ATA 186 and is labeled **LINK** on the rear panel of the Cisco ATA 188.



### Caution

Do not cover or block the air vents on either the top or the bottom surface of the Cisco ATA. Overheating can cause permanent damage to the unit.

For more information about LEDs and the function button, see the [“Hardware Overview”](#) section on page 1-5.

---

## Power-Down Procedure

**Caution**

If you need to power down Cisco ATA 186 or Cisco 188 at any time, use the following power-down procedure to prevent damage to the unit.

---

**Procedure**

- 
- Step 1** Unplug the RJ45 Ethernet cable
- Step 2** Wait for 20 seconds.
- Step 3** Unplug the power cable.
- 

**Warning**

**This equipment contains a ring signal generator (ringer), which is a source of hazardous voltage. Do not touch the RJ-11 (phone) port wires (conductors), the conductors of a cable connected to the RJ-11 port, or the associated circuit-board when the ringer is active. The ringer is activated by an incoming call.**

---

