

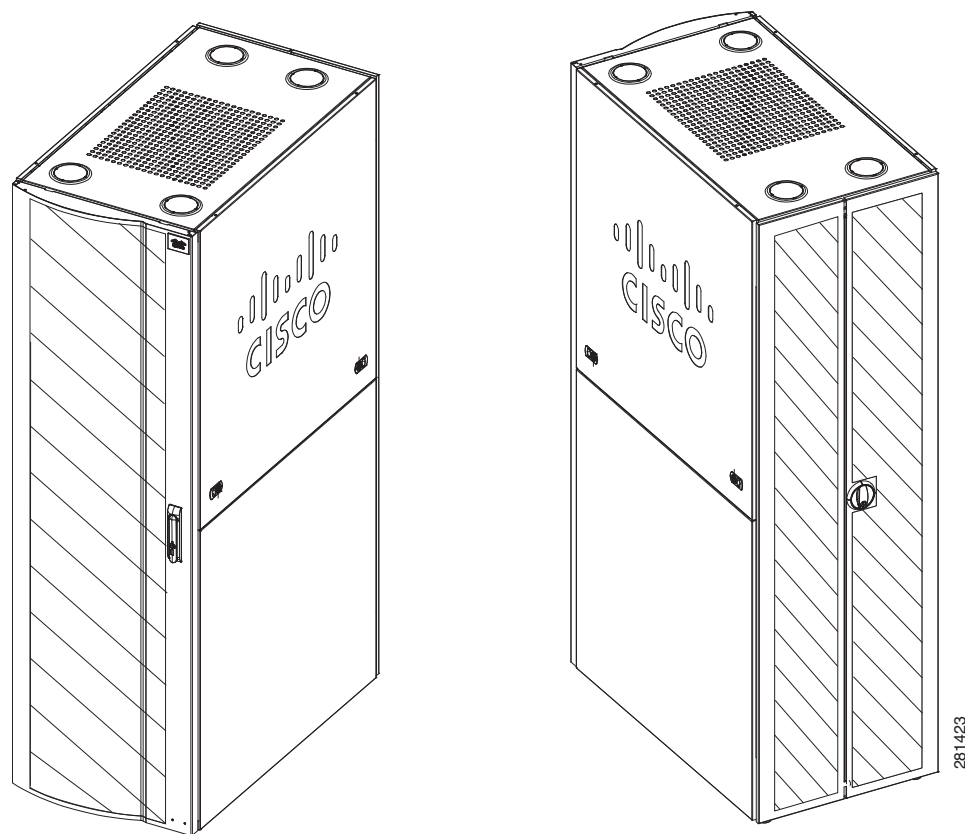
## Overview

---

### Cisco R-Series Racks

Cisco R-Series Racks are an ideal solution for mission-critical environments, which require the highest levels of reliability, structural integrity, and security. The modern design delivers exceptional power, cooling, and cable management features as well as the strength and stability required in today's rack enclosures, offering peace of mind for the most important infrastructure elements. The Cisco R-Series Racks (shown in [Figure 1-1](#)) are certified for use with the Cisco Unified Computing System and allow Cisco to offer a complete infrastructure solution, including computing, networking, rack, power, and services.

*Figure 1-1 Cisco R-Series Rack*



These industry standard, EIA-310-D racks have been optimized for the Cisco Unified Computing System (UCS) but will work with most equipment meant to mount in a square-holed rack. Standard and expansion racks are available for single-rack or multiple-rack UCS deployments.

The front and rear doors have 80% perforation to maximize air flow. Locks are included for added security. The doors also feature tool less removal for convenient servicing. Split rear doors minimize the clearance required at the rear of rack, and the adjustable front door can swing from right to left or left to right.

The lightweight, 2-piece side panels are easy to install and remove, and locks provide extra security. The ventilated top panel has optional cutouts for large cables.

The sidewall spaces and PDU trays allow quick installation of 0RU and 1RU PDUs. Integrated PDU trays enable tool less mounting for the optional 0RU Cisco RP-Series PDUs.

Front and side stabilizer brackets are included with the racks. A joining kit connects adjacent expansion racks within a row. Casters permit mobility if needed. A removable rear cable access bar speeds cable routing. RU markings on all rack rails simplify equipment installation.

## Platform Support and Compatibility

A list of Cisco products that have been tested with Cisco R-Series Racks is maintained on an internal Cisco website. Please contact your Cisco representative to access the most recent information.

## Specifications

[Table A-1](#) lists the specifications for Cisco R-Series Racks.

## Cisco RP-Series Power Distribution Units

Cisco RP-Series Power Distribution Units (PDUs) offer flexible, reliable, easy-to-deploy power distribution with branch circuit protection.

Cisco RP-Series PDU models cost effectively and efficiently distribute power to up to 24 outlets. The ready-to-use architecture organizes power distribution, simplifies cable management, and enables you to move, add, and change rack equipment without an electrician.

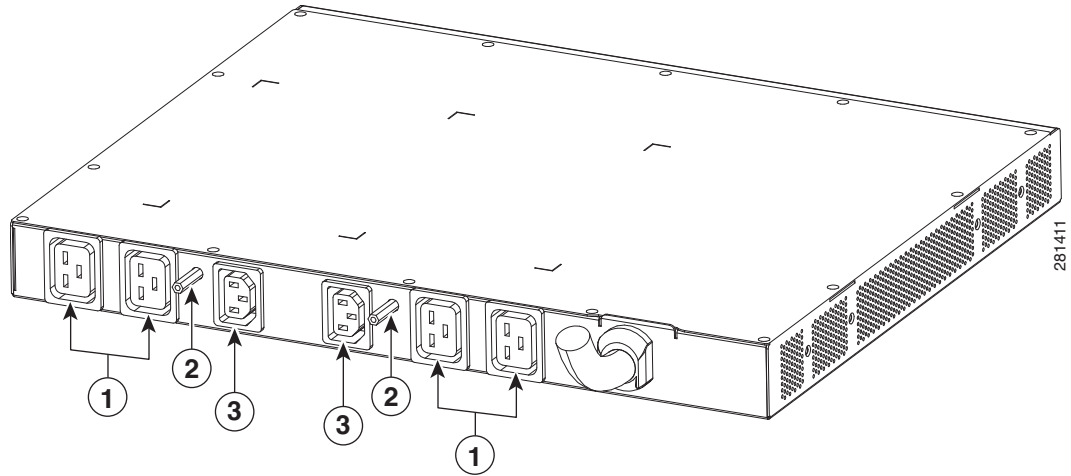
With a Cisco RP-Series PDU in the rack, you can replace up to two dozen input power cords with just one. The fixed input cord connects to the power source from overhead or under-floor distribution. Your IT equipment is then powered by PDU outlets in the rack using short, easy-to-manage power cords. With far fewer cables between the power source and the rack, these PDUs alleviate clutter, improve airflow, and simplify power distribution.

Lightweight Cisco RP-Series PDU models are easy to install and display. Zero-rack-unit (0RU, see [Figure 1-3](#)) and 1RU (see [Figure 1-2](#)) designs preserve valuable rack space for IT equipment.

Cisco RP-Series PDU models provide two 20-ampere (A) circuit breakers for groups of receptacles. The effects of a tripped circuit are limited to a receptacle group. Simply press a button to reset that circuit.

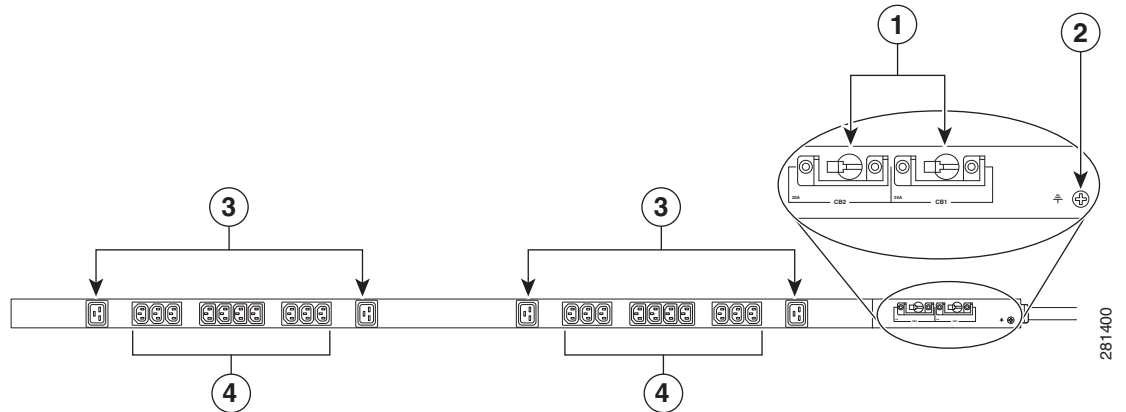
Designed, tested, and approved for use with Cisco solutions, budget-friendly Cisco PDUs can extend the value of your existing power systems while improving system reliability and availability.

Figure 1-2 1 RU PDU (RP208-30-1P-U-1 or Cisco RP230-32-U-1)



1	C19 Plug
2	Breaker reset
3	C13 Plug

Figure 1-3 Zero-RU PDU (RP208-30-2P-U-2 or Cisco RP230-30-U-2)



1	Breakers	3	C19 plugs
2	Ground connection	4	C13 plugs

## Specifications

Table A-2 lists the specifications for Cisco RP-Series PDUs.

