

Replacing Components

The Cisco R-Series Rack has several replaceable components, and the following procedures are possible:

- [Removing and Installing a Front Door](#)
- [Reversing a Front Door](#)
- [Removing and Installing Rear Doors](#)
- [Removing and Installing Side Panels \(if included\)](#)
- [Using the Cabling Portholes](#)
- [Using the Rear Cable Access Bar](#)

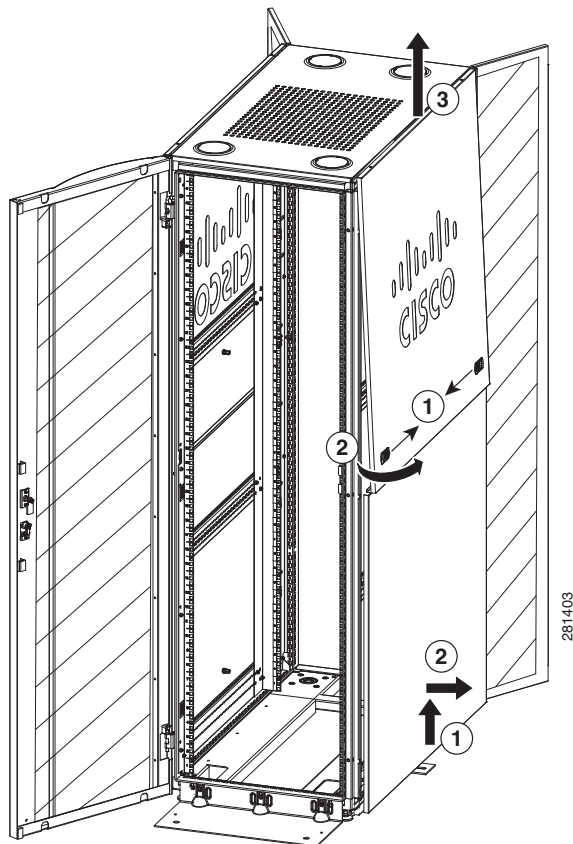
Removing and Installing Side Panels (if included)

The Cisco R-Series Racks may come with side panels installed. You may find it easier to remove the panels as you are unpacking the rack or before installing PDUs, servers, and other devices.

Installation of the panels is the reverse of the removal. Complete the following steps to remove the side panels from a Cisco R-Series Rack:

- Step 1** Unlock both button locks with the provided key and then slide the latches toward each other as shown in [Figure 6-1](#), upper callout 1.

Figure 6-1 Removing Side Panels



- Step 2** Holding it by the sides, pull the bottom of the top panel slightly toward you (as shown in [Figure 6-1](#), upper callout 2); then, lift the side panel and pull it away from the ridge on the top of the rack (as shown in [Figure 6-1](#), upper callout 3).
- Step 3** Holding it by the sides, pull the bottom of the bottom panel slightly up (as shown in [Figure 6-1](#), lower callout 1), then lift the bottom panel and pull it away from the ridge on the middle of the rack (as shown in [Figure 6-1](#), lower callout 2).



Note After removing a side panel, store it in an upright position against a flat surface.

Removing and Installing Cisco R-Series Rack Doors

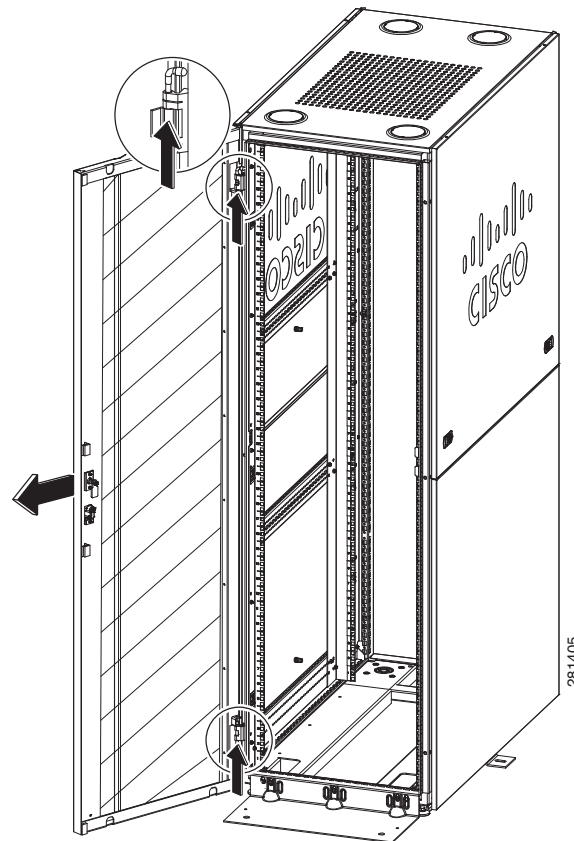
All Cisco R42610 Racks come with front and rear doors installed. Removing the doors when installing and removing devices in the rack is only required if part of the rack is obstructed by the door as you install the device. Most devices can be installed without removing the doors.

Removing and Installing a Front Door

Installing a front door is the reverse of removal. Complete the following steps to remove a front door from the Cisco R42610 Rack.

-
- Step 1** Unlock and open the door by pulling the handle bottom out and rotating the handle 90° clockwise.
 - Step 2** While holding the door steady, lift both captive hinge pin(s) until they unlock (see [Figure 6-2](#)).

Figure 6-2 Removing the Front Door



Timesaver

One person should be able to remove a front door unassisted, but having one person hold the door while the other slides the pins will be slightly quicker.

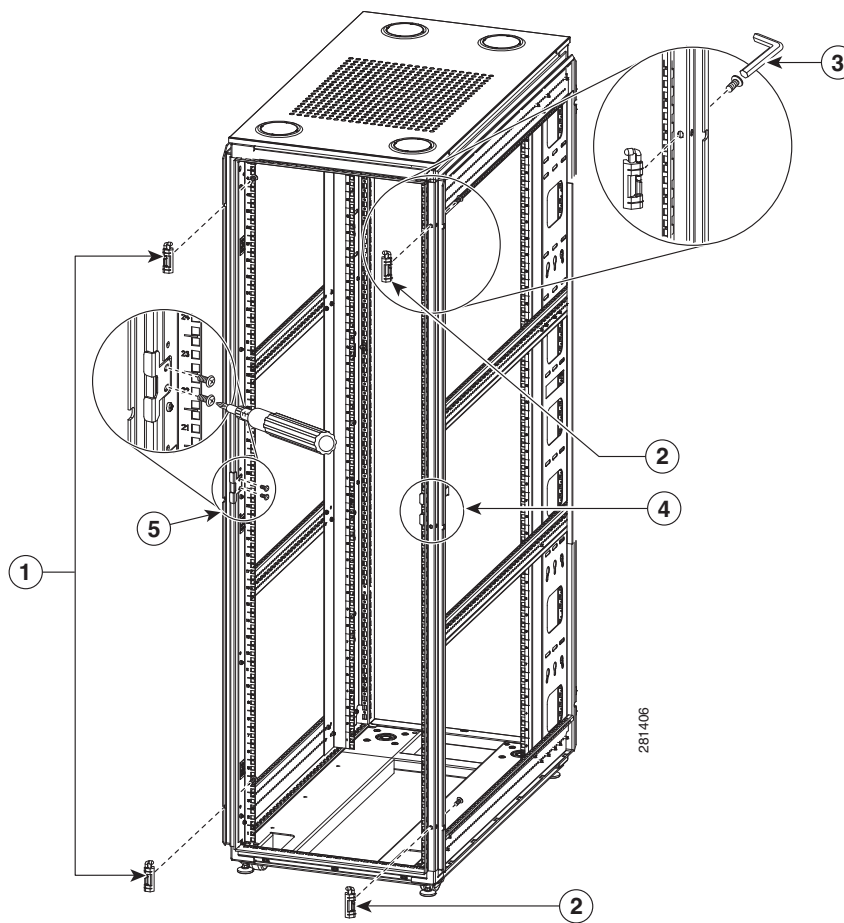
-
- Step 3** Hold the door with both hands and pull it away from the hinges (see [Figure 6-2](#)), then store it in an upright position against a flat surface.
 - Step 4** If you are replacing the front door, you might have to remove the old lock latch (see [Figure 6-3](#), callout 5) and replace it with the new lock latch that comes with the new door (see [Figure 6-4](#), callout 2).
-

Reversing a Front Door

To reverse a front door on a Cisco R42610 Rack so that it opens in the opposite direction, follow these steps:

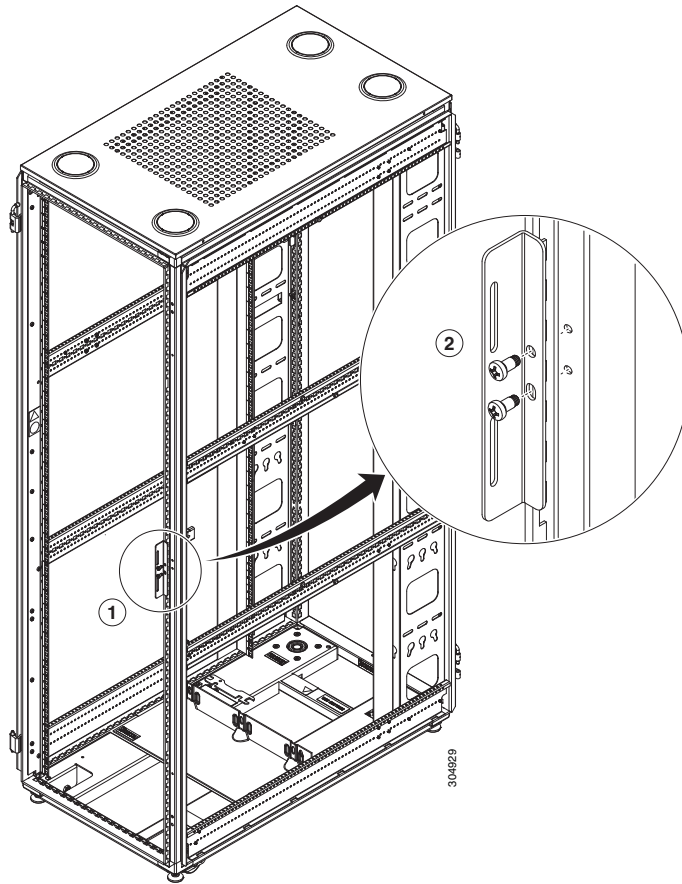
- Step 1 Remove the door as described in “[Removing and Installing a Front Door](#)”.
- Step 2 Use a 4 mm hex wrench to remove the top and bottom hinges from the rack. See callout 1 in [Figure 6-3](#).
- Step 3 Install the hinges on the other side of the rack. See callout 2 and callout 3 in [Figure 6-3](#).
- Step 4 Remove the front door latch. See callout 4 in [Figure 6-3](#).
- Step 5 Attach the front door latch to the other side of the rack. See callout 5 in [Figure 6-3](#) or [Figure 6-4](#).

Figure 6-3 Reversing Front Door Hinges and Door Latch



1	Starting position of hinges	4	Starting position of door latch
2	Moved position of hinges on opposite post	5	Moved position of door latch on opposite post
3	Close-up view of hinge		

Figure 6-4 Door Latch on Right-Front Rack Post



1	Door latch on right-front rack post	2	Enlarged view of door latch and screws
---	-------------------------------------	---	--

Step 6 Rotate the door 180°; then install the door on the other side of the rack.

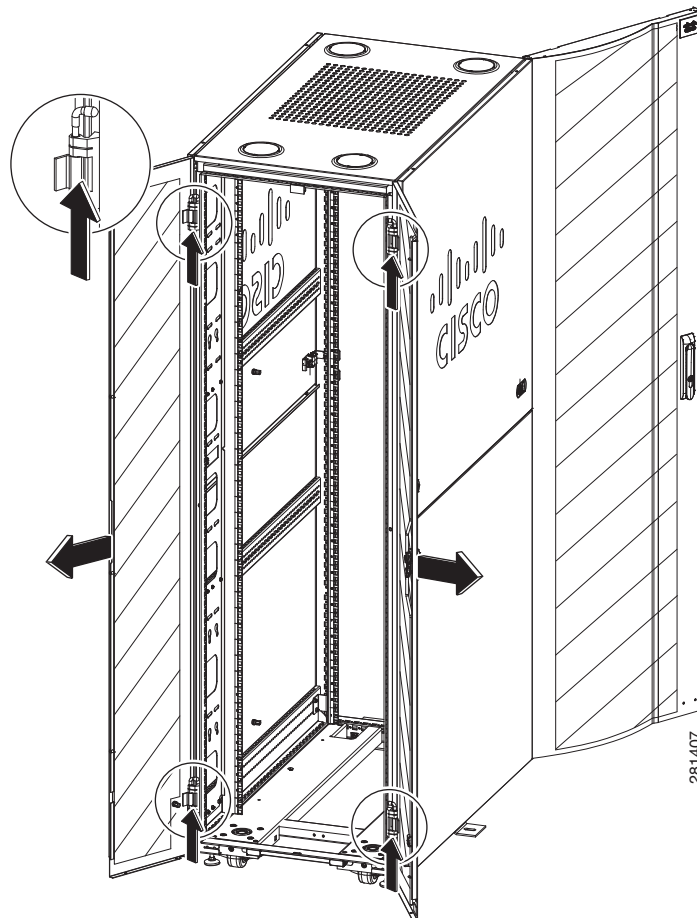
Step 7 Remove the Cisco logo from the bottom of the door; then snap it into the holes near the top of the door.

Removing and Installing Rear Doors

Installing the rear doors is the reverse of removal. Complete the following steps to remove the rear doors from the Cisco R42610 Rack.

-
- Step 1 Unlock and open the right-side door.
 - Step 2 While holding the right door steady, lift both captive hinge pins until they unlock (as shown in [Figure 6-5](#)).
 - Step 3 Hold the door steady with both hands and pull it away from the hinges; then store it in an upright position against a flat surface.
 - Step 4 Open the left-side door.
 - Step 5 Hold the left-side door steady with one hand, then lift both captive hinge pins until they unlock (as shown in [Figure 6-5](#)).
 - Step 6 Hold the door steady with both hands and pull it away from the hinges, then store it in an upright position against a flat surface.

Figure 6-5 Removing the Rear Doors

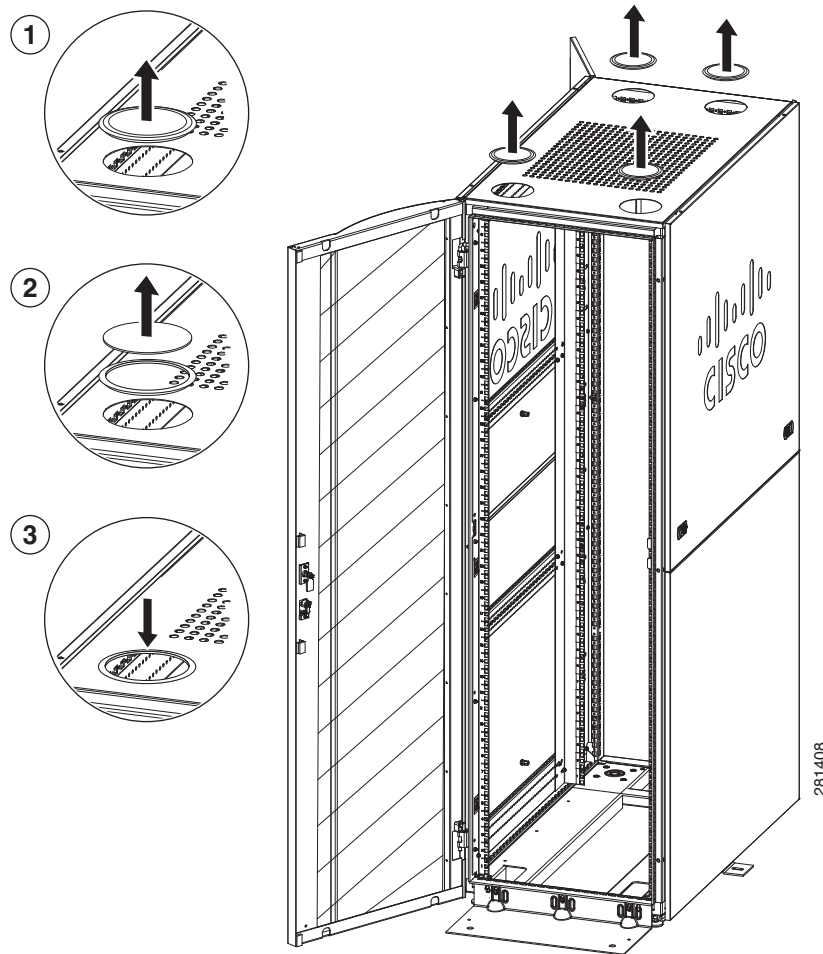


Using the Cabling Portholes

To use knockout cabling portholes on the top panel:

-
- Step 1** Use a flat-blade screwdriver to pry a knockout cabling porthole off the Cisco R-Series Rack top panel. (See [Figure 6-6](#), callout 1.)
 - Step 2** Snap out and discard the center of the cabling porthole. (See [Figure 6-6](#), callout 2.)
 - Step 3** Replace the grommet ring of the cabling porthole in the opening. (See [Figure 6-6](#), callout 3.)

Figure 6-6 Access Ports on the Cisco R-Series Rack Top



Caution

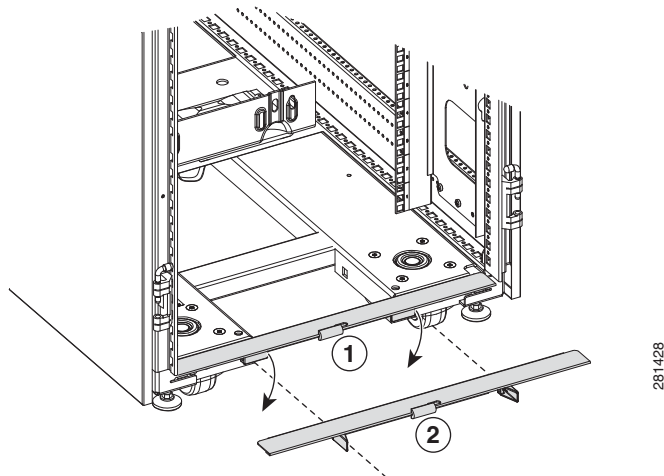
Failing to replace the ring may lead to damaged power or network cables.

Using the Rear Cable Access Bar

To use the rear cable access bar in the bottom of the Cisco R-Series Rack:

-
- Step 1** Release the two swell latches securing the cable access bar to the rear of the rack. (See the Arrows and callout 1 in [Figure 6-7](#).)
 - Step 2** Pull the bar away from the rack as shown in callout 2 of [Figure 6-7](#).

Figure 6-7 *Removing the Cable Access Bar*



- Step 3** Route the cables through the opening.
 - Step 4** Reattach the rear cable access bar to the rack by pressing it into place and tightening the swell latches. Make sure that you do not pinch or cut any cables.
-