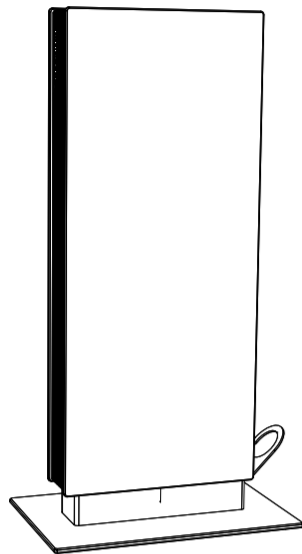


**Using the unit out of the box**

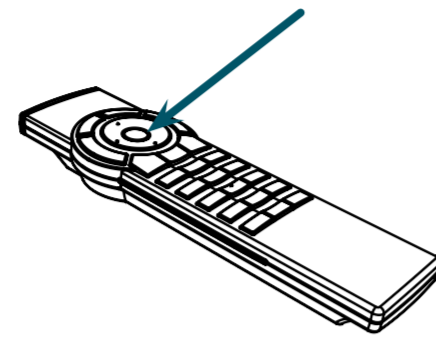
The Edge MXP can be used as is, out of the box. Just place the unit on the desktop and connect the cables as shown to the far right and it is ready to use.



**CAUTION:** Never place the unit as shown without the base mounted!

**TIP**

If the menu is not already present, press the OK/Menu key on the remote control to open the menu. Navigate in the menu with arrow keys and OK.

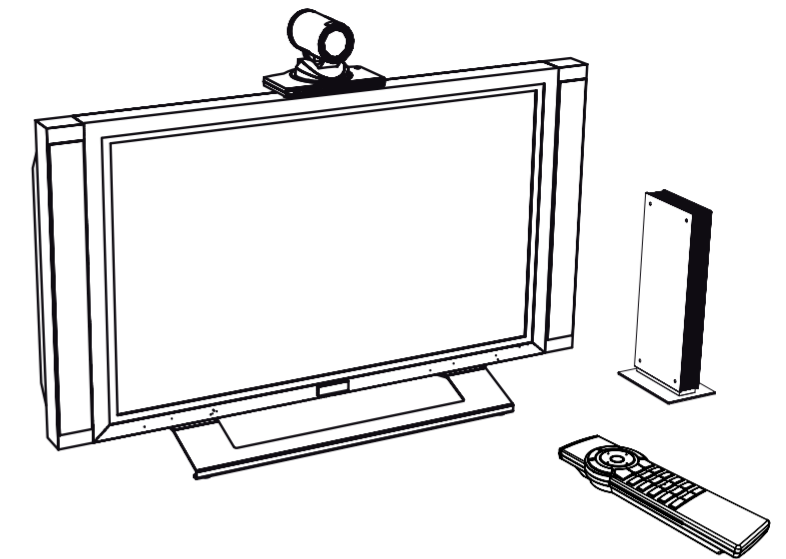


**User documentation**

See the user documentation for more information.  
Go to: <http://www.tandberg.com/docs>  
and: <http://www.cisco.com/go/telepresence/docs>

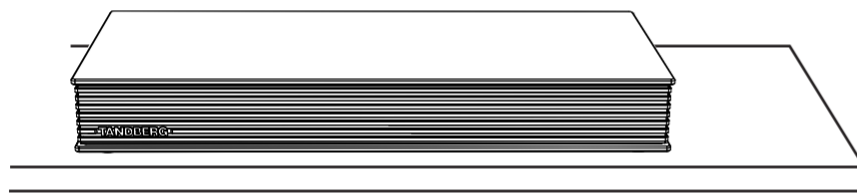
**This box contains:**

- Cisco TelePresence Edge unit
- Cisco TelePresence PrecisionHD camera
- Edge unit wall mounting bracket
- PrecisionHD camera bracket
- Screwdriver (PH2)
- Rubber feet and rubber plug
- Microphone and microphone cable
- HD camera cables, 2 m & 5 m
- LAN/Ethernet cable
- ISDN cables
- DVI-I to DVI-I cable (for monitor connection)
- DVI-A to VGA adapter
- DVI-I to HDMI adapter
- Audio cable
- DVI-I to VGA cable with mini-jack to stereo RCA audio cable (for PC connection)
- Cable sleeve
- Cable ties
- Power supply
- Country specific cable
- Remote Control and batteries

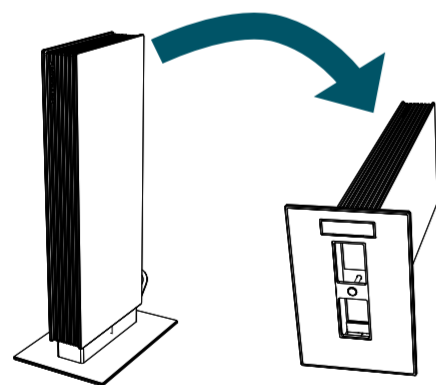


**Placing the unit on a shelf**

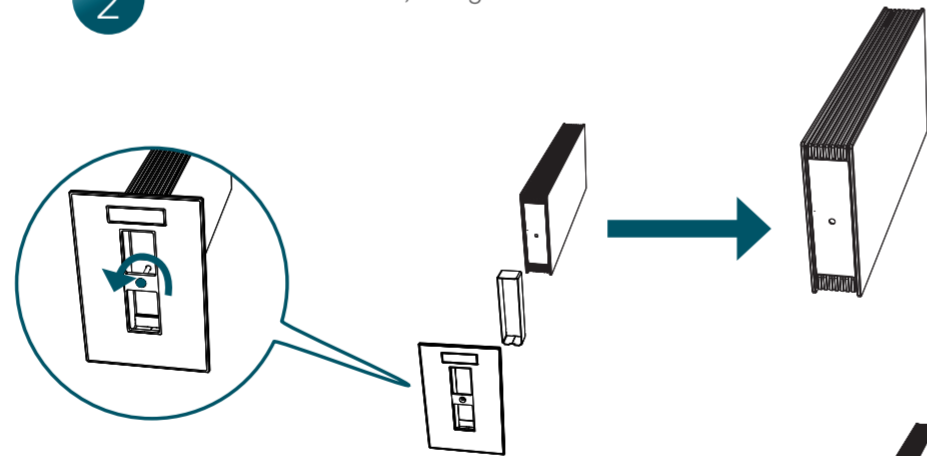
The Edge MXP can be placed on a shelf.



**1** Put the Edge codec on its back.



**2** Unscrew the base, using the enclosed screwdriver.



**3** Turn the unit upside down and mount the rubber feet over the screws.

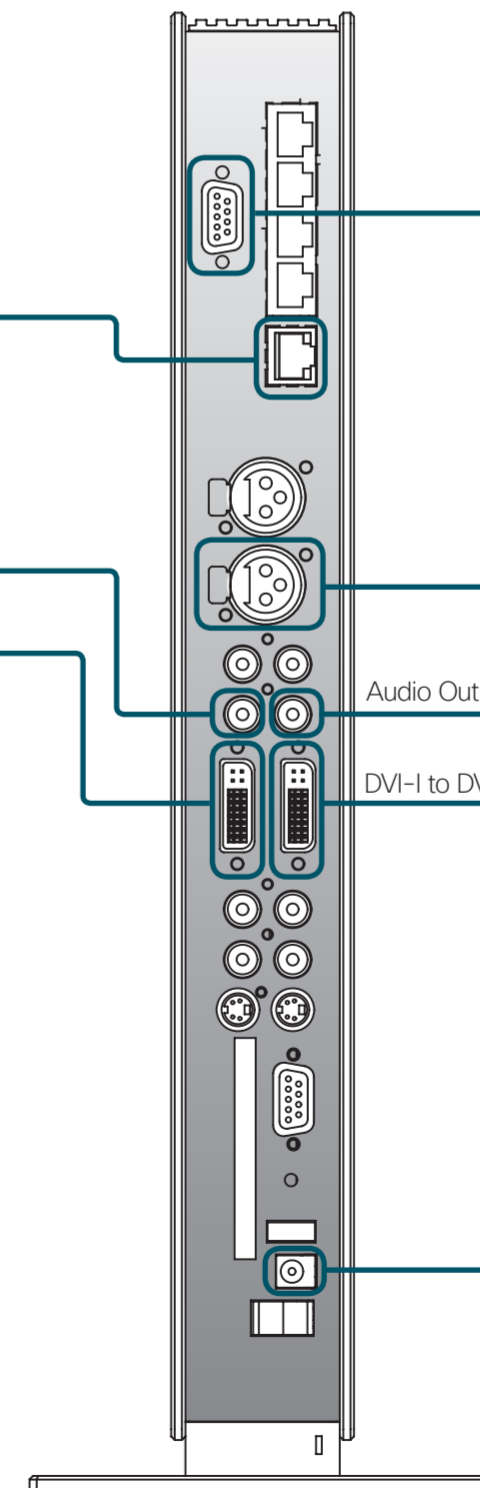
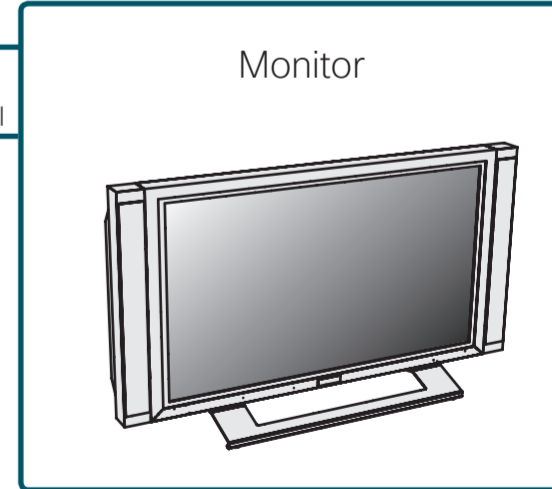
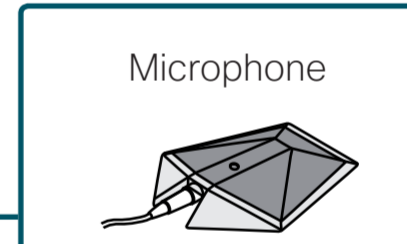
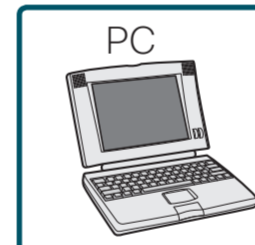
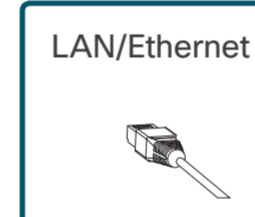
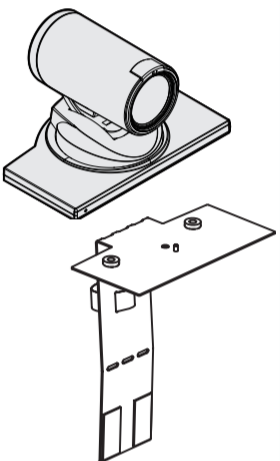


**4** Connect cables as shown to the far right.

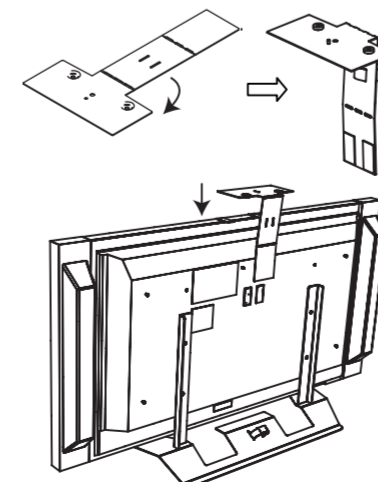
Insert the rubber plug in the hole that held the screw just unscrewed.

**PrecisionHD camera**

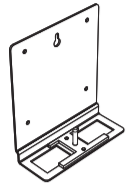




The camera must be installed properly by aligning the camera on the fixing bolt and the magnets on the camera bracket.\*



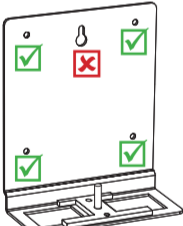
\* Installation of the camera bracket with the Flat Panel Display Option: A wall mounted screen must have minimum 140 mm distance from the front of the screen to the wall.



**Equipment needed**

-  Bracket with screw (included).
-  Screwdriver to remove the base and mount the bracket (included).
-  Hose (sleeve) to accommodate the cables between the codec and the monitor and camera (included).
-  Suitable screws (at least 4x15) to mount bracket on wall (not included). Each screw must be able to sustain at least 10 kg when bracket is mounted.
-  Screwdriver to mount bracket on wall (not included).

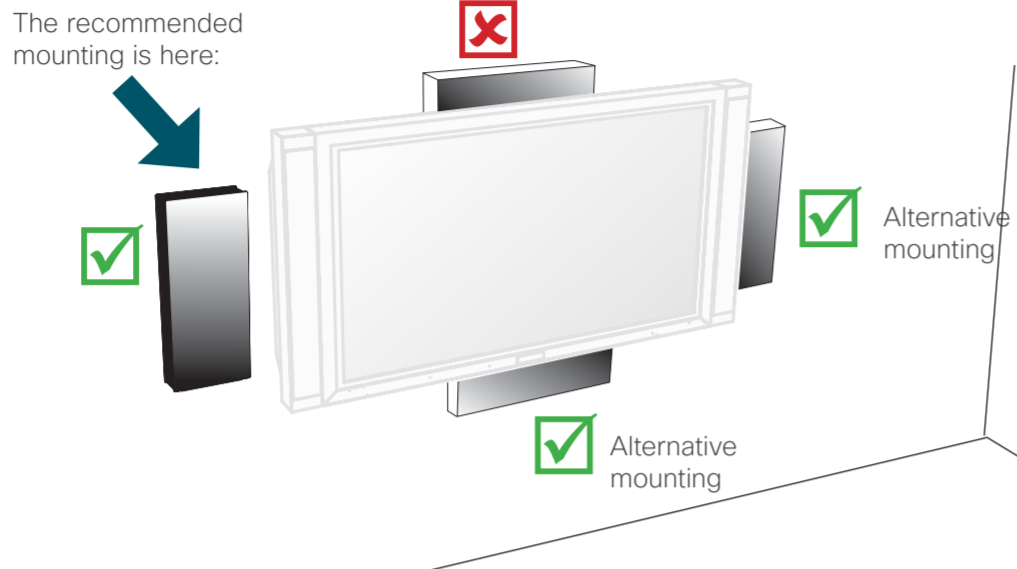
**CAUTION:**



Use screws in all four holes for mounting. Do not rely on the center hole alone.

**1** Decide where to mount the Edge MXP codec.

**DO NOT MOUNT IT HERE!**

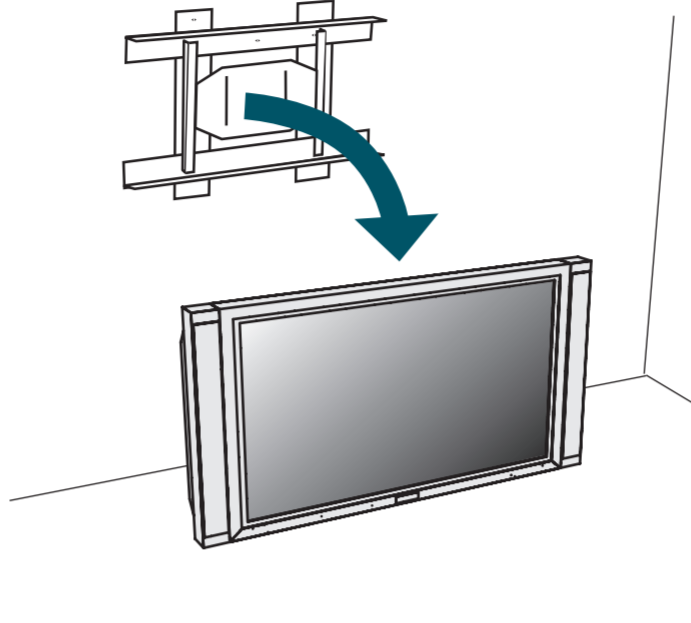


The recommended mounting is here:

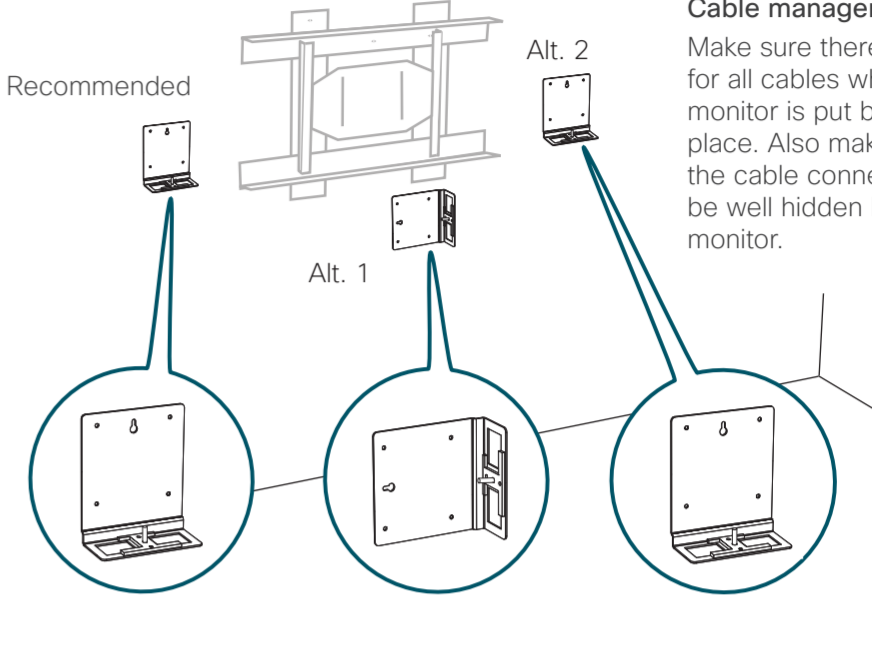
Alternative mounting

Alternative mounting

**2** Remove the monitor.



**3** Mount the bracket on the wall.

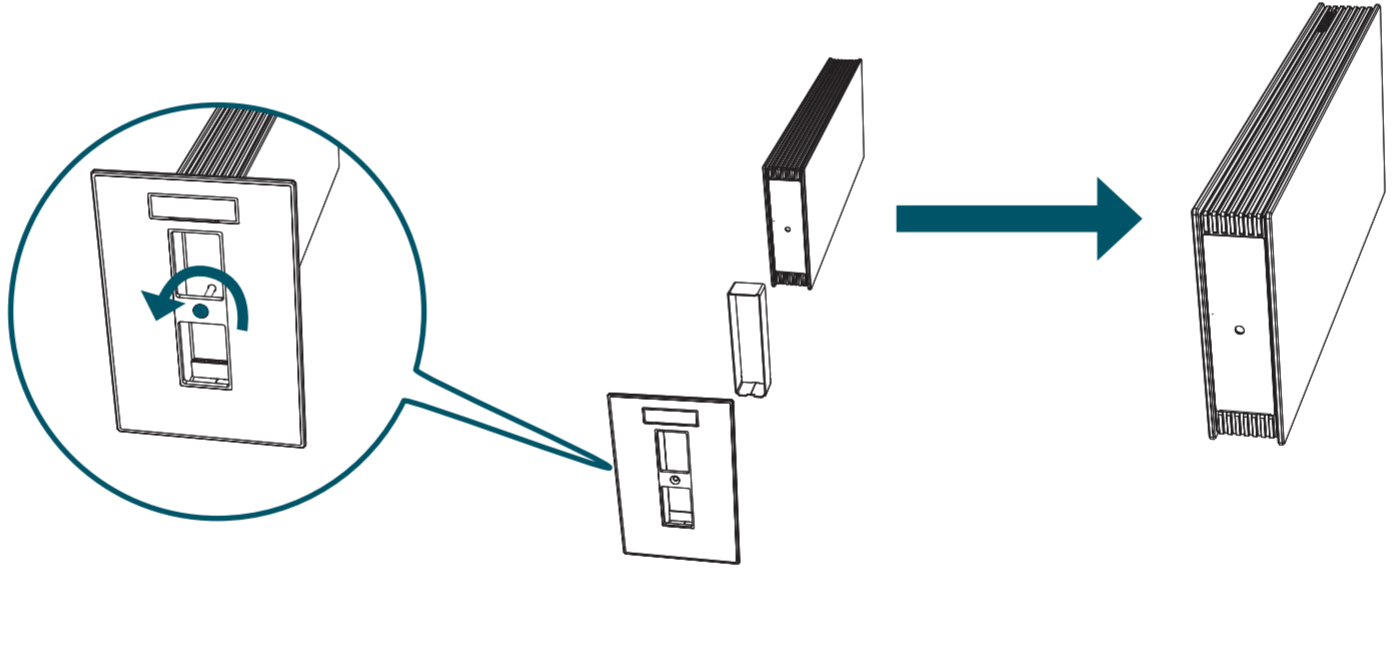


**Cable management**  
Make sure there is space for all cables when the monitor is put back in place. Also make sure that the cable connections will be well hidden behind the monitor.

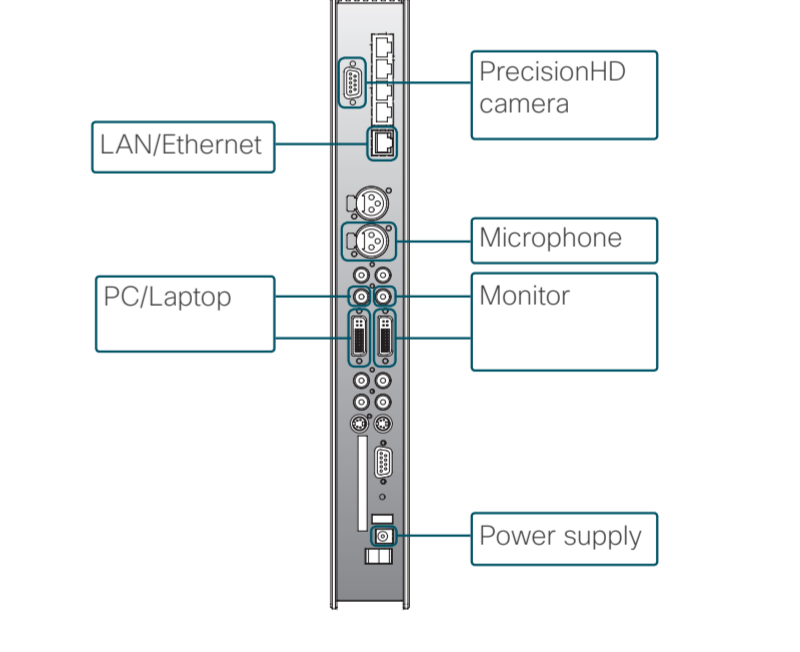
**4** Put Edge MXP codec on its back.



**5** Unscrew the base using the enclosed screwdriver.

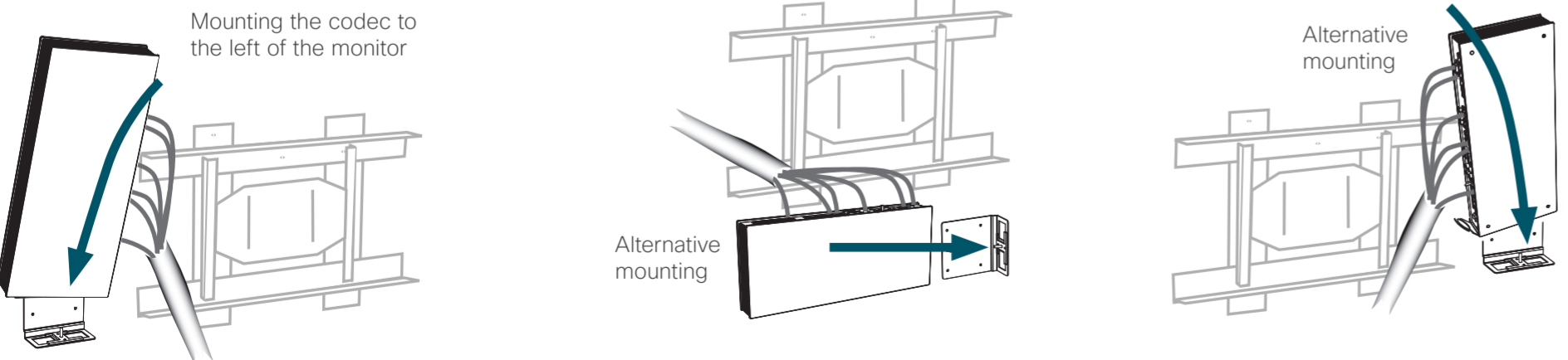


**6** Connect the cables as illustrated overleaf.



- PrecisionHD camera
- LAN/Ethernet
- Microphone
- Monitor
- PC/Laptop
- Power supply

**7** Mount the Edge MXP codec (with all cables connected) onto the bracket. Use the wall bracket screw to fasten the unit.



Mounting the codec to the left of the monitor

Alternative mounting

**CAUTION:** Do never use other screws than the 20mm screw already attached to the wall bracket. Do not remove this screw. Using other screws may damage the codec's interior and will void the warranty.

**8** Mount the monitor and camera back in place. Camera mounting instructions are printed overleaf.

